

PREFERRED BY KARMAN

PRICE & SPECIFICATIONS

2024

TABLE OF CONTENTS

Style & Pricing Notes	10 - Office Cabinets
01 - Index	11 - Island Cabinets
02 - General Information	12 - Modifications & Accessories
03 - Product, Species & Finish Specs	13 - Moldings, Fillers, Panels, Misc.
04 - Construction Upgrades	14 - Embellishments
05 - Door Styles & Options	Brochure: Art for Everyday
06 - Wall Cabinets	15 - Wood Hoods
07 - Base Cabinets	Brochure: Stanisci
08 - Tall Cabinets	16 - Door & Drawer Front Sizes
09 - Vanity Cabinets	

KARMAN

STYLE & PRICING NOTES

Species

Paint Grade.....	Base Price
Oak / Rustic Oak.....	Base Price
Hickory / Rustic Hickory.....	Add 7%
Maple / Rustic Maple.....	Add 7%
Alder / Rustic Alder.....	Add 7%
Cherry / Rustic Cherry.....	Add 15%
¼-Sawn Oak ◇.....	Add 40%
Walnut / Rustic Walnut ◇.....	Add 40%
Bamboo ◇.....	Add 40%
Red Birch ◇.....	Add 40%
Lyptus ◇.....	Add 40%

Upgrades

Plywood Construction.....	Add 22%
Beaded Door Panels (SRP Upgrade Required).....	Add 5%
SRP (Solid Reverse Panels).....	Add 20%
Flush Inset ◇.....	Add 20%
Beaded Inset ◇ (1/4" or 3/8").....	Add 30%
Sculpted Inset ◇ (Chamfer, Ogee).....	Add 40%
Stepped Inset ◇.....	Add 40%

Doors by Alphabetical Order

Door	Price Group	Page #	Door	Price Group	Page #	Door	Price Group	Page #
Albany	F	5-2	Davenport	C	5-22	Pembroke	D	5-42
Arlington	E	5-3	Durango	D	5-23	Prairie	A	5-43
Augusta	B	5-4	Estate	B	5-24	Redington	E	5-44
Aurora◇	F	5-5	Harvest	C	5-25	Richmond	C	5-45
Avon	D	5-6	Hawthorne	C	5-26	Santiago	E	5-46
Belmont	C	5-7	Highland	C	5-27	Savannah	D	5-47
Breckenridge	D	5-8	Lancaster	D	5-28	Sedona	C	5-48
Bridgeport	C	5-9	Madison	D	5-29	Seville	B	5-49
Brookfield	B	5-10	Meadowbrook	A	5-30	Shaker	B	5-50
Camden	E	5-11	Medford	C	5-31	Shaker Cottage	C	5-51
Catalina	D	5-12	Mesa	C	5-32	Sheffield	E	5-52
Chatham	F	5-13	Metro◇	F	5-33	Staffordshire◇	F	5-53
Chesapeake	C	5-14	Milan	D	5-34	Stelvio	D	5-54
Chesterfield	E	5-15	Millcreek	A	5-35	Timpanogos	D	5-55
Colony	C	5-16	Mission	C	5-36	Tissot	D	5-56
Cordova	D	5-17	Monarch◇	F	5-37	Tucson◇	F	5-57
Coronado	E	5-18	Monterey	F	5-38	Willow	D	5-58
Coventry	E	5-19	Newport	D	5-39	Winston	E	5-59
Craftsman	B	5-20	Norwich	C	5-40	Woodridge◇	F	5-60
Dakota	C	5-21	Nova◇	F	5-41			

Doors by Pricing Groups

A - 0%	B - 10% Over A	C - 20% Over A	D - 40% Over A	E - 50% Over A	F - 60% Over A
Standard Overlay	Standard Overlay	Standard Overlay	Full Overlay	Full Overlay	Full Overlay
Meadowbrook	Estate	Harvest	Avon	Arlington	Albany
Millcreek	Full Overlay	Highland	Breckenridge	Camden	Aurora◇
Prairie		Augusta	Full Overlay	Catalina	Chesterfield
	Brookfield	Belmont	Cordova	Coronado	Metro◇
	Craftsman	Bridgeport	Durango	Coventry	Monarch◇
	Seville	Chesapeake	Lancaster	Redington	Monterey
	Shaker	Colony	Madison	Santiago	Nova◇
		Dakota	Milan	Sheffield	Staffordshire◇
		Davenport	Newport	Winston	Tucson◇
		Hawthorne	Pembroke		Woodridge◇
		Medford	Savannah		
		Mesa	Stelvio		
		Mission	Tissot		
		Norwich	Timpanogos		
		Richmond	Willow		
		Sedona			
		Shaker Cottage			

◇ = Increases lead times by 10 days

INDEX

SECTION 1

Index by Name

3-Door -----	12-8	Base Blind Corner Cabinets with Rotary Trays -----	7-15
4-Door -----	12-8	Base Bread Board Cabinets -----	7-4
5-Piece Fronts -----	4-3	Base Cabinets -----	7-1
45° Corner Installation Dimensions -----	3-8	Base Cabinets 12" Deep with Full Height Doors -----	7-3
135° Filler -----	13-19	Base Cabinets with Full Height Doors -----	7-2
Add Bread Board -----	12-18	Base Cabinets with Full Roll-Out Trays -----	7-5
Add Designer Profile -----	12-25	Base Column Boxes -----	13-20
Add Drawer -----	12-18	Base Dishwasher Cabinets -----	7-11
Add Fluting -----	12-25	Base End Corner Cabinets -----	7-24
Add Heel to Molding -----	12-26	Base End Corner Combination Cabinets -----	7-24
Add Miter -----	12-26	Base End Diagonal Cabinets -----	7-24
Adjustable Drawer Dividers -----	12-21	Base End Diagonal Combination Cabinets -----	7-24
Albany -----	5-2	Base End View -----	3-10
Alder -----	3-2	Base Four-Drawer Bread Board Cabinets -----	7-12
All Plywood Upgrade -----	4-4	Base Four-Drawer Cabinets -----	7-12
Aluminum Frame Door Hardware -----	5-62	Base Island What Not Shelves -----	7-26
Aluminum Frame Door Inserts — Glass -----	5-62	Base Microwave Cabinets -----	7-11
Aluminum Frame Door Inserts — Other -----	5-62	Base Molding -----	13-4
Aluminum Frame Doors -----	5-61	Base Oven Cabinets -----	7-11
Angled Fillers -----	13-19	Base Pantry Super Cabinet -----	7-20
Angled Panel -----	12-7	Base Peninsula Corner Cabinets -----	7-17
Angled Side -----	12-3	Base Pull-Out Cabinets -----	7-21
Angled Stile -----	12-7	Base Scooped Cabinets -----	7-9
Antique Glaze -----	3-4	Base Shoe Molding -----	13-6
Apothecary Cabinets -----	6-30	Base Six Shallow Drawer Cabinets -----	7-14
Apothecary Cabinets with Fronts -----	6-31	Base Spice Fillers -----	7-21
Arched Doors -----	4-2	Base Three-Drawer Bread Board Cabinets -----	7-12
Arlington -----	5-3	Base Three-Drawer Cabinets -----	7-12
Augusta -----	5-4	Base Three-Drawer Reverse Cabinets -----	7-13
Aurora -----	5-5	Base Tray Cabinets -----	7-20
Auxiliary Selling Units -----	2-9	Base Two-Drawer Cabinets -----	7-13
Avon -----	5-6	Base Two-Drawer on Top Cabinets -----	7-14
Bake Center Cabinets -----	7-14	Base Wainscot Panels -----	13-21
Bake Center Cabinets with Roll-Out Tray -----	7-14	Base Waste Basket Cabinets -----	7-22
Bamboo -----	3-3	Base What Not 135° Shelves -----	7-26
Bar Cabinets with Full Height Doors -----	7-4	Base What Not Diagonal Shelves -----	7-26
Base Angled End Cabinets -----	7-25	Base What Not Shelves -----	7-26
Base Angled End Combination Cabinets -----	7-25	Base Window Seat Cabinets -----	7-20
Base Angled Spice Fillers -----	7-21	Base Wine Rack -----	7-22
Base Angled Triple Face Cabinets -----	7-26	Base Wine Rack Diagonal -----	7-23
Base Blind Corner Cabinets -----	7-15	Base Wine Rack "X" -----	7-23
Base Blind Corner Cabinets with Full Height Doors -----	7-15	Base Wine Roll-Out Tray Cabinets -----	7-23
Base Blind Corner Cabinets with Full Height Doors & Rotary Trays -----	7-15	Base with Two Deep Drawers and Two Shallow Drawers Cabinets -----	7-13
Base Blind Corner Cabinets with LeMans Unit -----	7-16	Batten Molding -----	13-6
Base Blind Corner Cabinets with Metal Slide-Out Rack -----	7-16		

Beaded Cove Crown Molding	13-3	Corner Wall Cabinets — 27" Wide	6-20
Beaded End Skins	13-26	Corner Wall Rotary Cabinets — 24" Wide	6-21
Beaded Finished End	12-13	Corner Wall Rotary Cabinets — 27" Wide	6-21
Beaded Inset	4-5	Corner Wall Small Appliance Center Cabinets	6-23
Beaded Panel Doors	4-2	Corner Wall Small Appliance Center Cabinets with Doors	6-23
Belmont	5-7	Cornice Molding	13-9
Beveled Knee Brackets	13-14	Coronado	5-18
Bisque	3-4	Counter Edge Molding	13-6
Bookcase Cabinets — 30", 33", 36", 39"	10-1	Cove Crown Molding	13-3
Bookcase Cabinets — 42", 45", 48", 51"	10-2	Coventry	5-19
Bookcase Cabinets — 54", 57", 60"	10-3	Craftsman	5-20
Bookcase Tall Cabinets	10-4	Credit Policy	2-1
Bookcase Tall Cabinets With Doors — 84", 87", 90"	10-5	Crescent Doors	12-10
Bookcase Tall Cabinets With Doors — 93", 96"	10-6	Crown Assembly	12-25
Bread Drawer Cover Kit	12-22	Crown Molding	13-1
Breckenridge	5-8	Custom Finish™ Program	3-6
Bridgeport	5-9	Custom Finish Worksheet	2-16
Brookfield	5-10	Cutlery Drawer Tray	12-21
Brunswick Island Legs	13-17	Dakota	5-21
Brush Stroke - Heavy or Light	3-5	Davenport	5-22
Cabinet Care Instructions	2-6	Decorative Feet	13-13
Cabinet Case Only	12-2	Decorative Molding	13-12
Cabinet Height Chart	3-7	Decorative Rosette Block	13-13
Casing Molding	13-2	Designer Drawer/Roll-Out Upgrade	4-1
Catalina	5-12	Desk Cabinets	10-7
Chamfer Frame Stile	12-8	Desk File Drawer Cabinets	10-9
Chatham	5-13	Desk Leg	10-9
Cherry	3-3	Desk Three Drawer Cabinets	10-8
Chesapeake	5-14	Desk Tower Cabinets	10-7
Chesterfield	5-15	Desk Two Drawer Cabinets	10-8
Classic Furniture Double Combination Sink Base	9-17	Desk Two File Drawer Cabinets	10-9
Classic Furniture Single Combination Sink Base	9-16	Desk Utility Base Bottom Cabinets	10-10
Classic Furniture Sink Base	9-15	Desk Utility FHD Bottom Cabinets	10-10
Classic Select™ Paint Program	3-6	Desk Utility Three Drawer Cabinets	10-11
Classic Select Worksheet	2-15	Dishwasher End Panels	13-25
Clipped Corner	12-5	Dishwasher Front Panels – Door and Drawer	13-24
Co-Branding Upgrade	4-1	Dishwasher Front Panels – Door Only	13-24
Colony	5-16	Dishwasher Front Panels – Framed Style	13-24
Contemporary Trim Molding	13-7	Dishwasher Front Panels – Inset Door and Drawer	13-24
Cordova	5-17	Dishwasher Front Panels – Inset Door Only	13-24
Corner Base 3-Drawer Cabinets	7-19	Distressed	3-5
Corner Base Filler	13-18	Docking Drawer	12-20
Corner Easy Reach 90° Cabinets	7-18	Door and Drawer Fronts	13-30
Corner Easy Reach 90° Super Susan Cabinets	7-18	Door and Drawer Front Size Chart	16-1
Corner Easy Reach Diagonal Cabinets	7-19	Double Entry	12-3
Corner Easy Reach Diagonal Super Susan Cabinets	7-19	Double Entry Base Blind Corner Cabinets	7-17
Corner Filler	13-18	Double Entry Base Cabinets	7-5
Corner Lazy Susan Cabinets	7-18	Double Entry Corner Wall Cabinets	6-21
Corner Sink Base Cabinets	7-8	Double Entry Corner Wall Rotary Cabinets	6-22
Corner Sink Fronts	7-8	Double Entry Wall Blind Corner Cabinets	6-19
Corner Vanity Sink Fronts	9-8	Double Entry Wall Cabinets — 18", 21", 24", 27", 30"	6-15
Corner Wall Bi-Fold Cabinets	6-22	Double Entry Wall Cabinets — 33", 36", 39", 42"	6-16
Corner Wall Cabinets — 24" Wide	6-20	Double Oven Cabinets	8-16

Index by Name

PREFERRED
BY KARMAN

Double-Thick End Panels -----	13-25		
Drawer Boxes -----	13-30		
Drawer Divider -----	12-20	Frame on End - Non-Functional Door -----	12-13
Drawer Height Charts -----	5-1	Functional Island Design Idea -----	11-2
Drawer Pipe Chase -----	12-20	Furniture Frame Stile -----	12-8
Drawer Units -----	7-22	Furniture Style Vanity Design Idea -----	11-2
Drawer Units -----	9-19	General Wood Characteristics -----	3-2
Drawer Units -----	10-8	Harvest -----	5-25
Durango -----	5-23	Hickory -----	3-2
Dust Cover -----	12-5	Highland -----	5-27
Edge Banding Material -----	13-27	Highlight Glaze -----	3-4
Egg and Dart Molding -----	13-12	Hinges and Tracks -----	13-30
End Panels -----	13-25	Increase Cabinet Dimension -----	12-1
End Skins -----	13-26	Increase Drawer Box -----	12-18
Estate -----	5-24	Insert Crown Molding -----	13-2
Expedite Orders -----	2-3	Inset Installation Details -----	4-7
Extended Rail -----	12-6	Inset Specifications -----	4-6
Extended Stile -----	12-7	Inside Corner Molding -----	13-6
Extend Side Back -----	12-5	Integrated Wainscot Panel End -----	12-14
Extend Side Up/Down -----	12-5	Interior Partition -----	12-5
Extend Stile to Floor -----	12-16	Inverted Frame -----	12-9
Face Frame and Doors Only -----	12-2	Island Component Base End with Fluted Island Legs -----	11-4
Face Frame Only -----	12-2	Island Component Base End with Rope Island Legs -----	11-4
Farmhouse Range Base Cabinets -----	7-10	Island Component Base End with Shaker Island Legs -----	11-4
Farmhouse Range Base Cabinets with Drawers -----	7-10	Island Component Base End with Traditional Island Legs -----	11-4
Farmhouse Sink Base Cabinets -----	7-6	Island Component Basket Unit -----	11-3
Filler Overlays -----	13-19	Island Component Center Support -----	11-5
Fillers -----	13-18	Island Component Door Unit -----	11-3
-----	-----	Island Component Double Drawer Unit -----	11-3
Finished Back Panels -----	13-27	Island Component Shelves -----	11-5
Finished Bottom -----	12-4	Island Component Single Drawer Unit -----	11-3
Finished End -----	12-13	Island Design Idea -----	11-1
Finished Interior -----	12-4	Island with Fluted Island Legs -----	11-6
Finished Interior with Beaded Back -----	12-4	Island with Rope Island Legs -----	11-6
Floating Shelves -----	13-29	Island with Shaker Island Legs -----	11-6
Floating Vanity Apron Sink -----	9-11	Island with Traditional Island Legs -----	11-6
Floating Vanity Base Cabinets -----	9-10	Knee Brackets -----	13-14
Floating Vanity Base Cabinets with Full Height Doors -----	9-10	Knife Drawer Kit -----	12-22
Floating Vanity Instructions -----	9-9	Lancaster -----	5-28
Floating Vanity Sink Cabinets -----	9-12	Legrabox Metal Drawer/Roll-Out Upgrade -----	4-1
Floating Vanity Sink Cabinets with Drawers on Side -----	9-13	Lift Out Shelf -----	12-24
Floating Vanity Sink Cabinets with 3-Drawers -----	9-13	Lift-Up Door Systems -----	12-12
Floating Vanity Sink Drawer Combination Cabinets -----	9-13	Light Rail Molding -----	13-8
Floating Vanity 3-Drawer Cabinets -----	9-11	Limited Lifetime Warranty -----	2-6
Floating Vanity 2-Drawer Cabinets -----	9-12	Loose Finished Shelves -----	13-29
Floating Vanity with One Shallow One Deep Drawer Cabinets -----	9-12	Loose Shelves -----	13-29
Floating Vanity with Two Deep and Two Shallow Drawer Cabinets -----	9-11	Loose Toe Kick -----	12-15
Flush Inset -----	4-5	Lyptus -----	3-3
Flush Interior Floor Construction -----	4-4	Madison -----	5-29
Flush Toe Kick -----	12-16	Maple -----	3-3
Flush Toe Kick with Valance -----	12-16	Marcel Fronts -----	4-3
Fluted Island Legs -----	13-17	Meadowbrook -----	5-30
Frame on End - Functional Door -----	12-13	Medford -----	5-31

Mesa	5-32	Preferred Series Construction Specifications	3-1
Metro	5-33	Preferred Series Door Style Structure	5-1
Microwave Oven Cabinets — 12" Deep	6-27	Prepared-For-Glass Doors	12-11
Microwave Oven Cabinets — 21" Deep	6-27	Prep for Bunn Foot	12-17
Milan	5-34	Pricing	2-1
Millcreek	5-35	Primed Only Upgrade	3-6
Mirror Frame Molding	13-5	Profiled Decorative Molding	13-11
Mission	5-36	Profiled Light Rail Molding	13-8
M-OCO Worksheet	2-11	Pull-Down Rack	12-23
Modify Frame	12-9	Pull-Out Towel Rack	12-23
Monarch	5-37	Quarter Sawn White Oak	3-3
Mullion Doors	12-11	Range Base Cabinets	7-9
No Floor	12-4	Recessed Corner Sink Base Cabinets	7-8
Norwich	5-40	Red Birch	3-3
No Toe Kick	12-15	Redington	5-44
Nova	5-41	Red Oak	3-2
Offset Corner	12-3	Reduce Cabinet Dimension	12-1
Old World	3-5	Reduce Drawer Box	12-18
Omit Shelf Holes	12-26	Refrigerator Cabinets	8-17
One-Piece Modification	12-2	Refrigerator End Panels	13-25
Online Forms	2-10	Refrigerator Front Panels – Door Only (DO)	13-23
Ordering & Scheduling	2-2	Refrigerator Front Panels – Framed Style (FS)	13-23
Organizational End	12-14	Refrigerator Front Panels – Overlay Style (OS)	13-23
Oriental Furniture Double Combination Sink Base	9-17		
Oriental Furniture Single Combination Sink Base	9-16	Reverse Range Base Cabinets	7-9
Oriental Furniture Sink Base With Full Height Doors	9-15	RFP-DO Worksheet	2-12
Outside Corner Molding	13-5	RFP-FS Worksheet	2-13
Outside Edge Profile Change	4-2	RFP-OS Worksheet	2-14
Oven Cabinets	8-15	Richmond	5-45
Oven Cut-out	12-9	Roll-Out Trays	12-19
Oven Microwave Cabinets	8-17	Roman Furniture Sink Base With Full Height Doors	9-15
Oven / Microwave Overlay Frame	8-18	Roman Furniture Sink Base With Inverted Drawer	9-15
Painted Finish Upgrade	3-4	Rope Island Legs	13-17
Paint Grade	3-2	Sales Aids	2-7
Pantry Broom Cabinets	8-9	Santiago	5-46
Pantry Broom Cabinets with Roll-Out Trays	8-9	Savannah	5-47
Pantry Cabinets — 84" Tall	8-5	Scribe Molding	13-7
Pantry Cabinets — 87" Tall	8-5	Sculpted Inset	4-5
Pantry Cabinets — 90" Tall	8-6	Sedona	5-48
Pantry Cabinets — 93" Tall	8-6	Selling Centers	2-8
Pantry Cabinets — 96" Tall	8-7	Seville	5-49
Pantry End View	3-13	Shaker	5-50
Pantry Fronts	8-8	Shaker Cottage	5-51
Pantry Roll-Out Kit	12-19	Shaker Crown Molding	13-2
Parting Bead Molding	13-7	Shaker Island Design Idea	11-1
Peg Organizer	12-22	Shaker Island Legs	13-17
Pembroke	5-42	Sheet Stock Panels	13-27
Pencil Edge Sanding	3-5	She*eld	5-52
Peninsula Wall Cabinets	6-40	Shelf Edge Treatment	12-26
Pilaster Molding	13-9	Shiplap	13-11
Pipe Chase	12-3	Shipping	2-4
Pocket Door	12-4	Sink Base Cabinets	7-6
Prairie	5-43	Sink Base with Clipped Corners Cabinets	7-7

Index by Name

PREFERRED
BY KARMAN

Sink Blind Base Cabinets	7-7	Utility Drawer End View	3-12
Sink Fronts	7-7	Utility End View	3-11
Sink Spill Mat	12-23	Utility Four-Drawer Cabinets	8-12
Small Appliance Center	6-26	Utility Fronts	8-4
Small Appliance Center with Door	6-26	Utility Pull-Out Cabinets	8-10
Solid Reverse Panel Doors (SRP)	4-2	Utility Three-Drawer Cabinets	8-14
Solid Stock	13-10	Valance – Arched	13-15
Solid Stock – Beaded	13-10	Valance – Classic Arch	13-15
Spice Drawer Insert	12-22	Valance – Colonial	13-16
Spice End Panels	13-26	Valance – Elegant	13-16
Split Back Sink Base	12-3	Valance – Panel	13-16
Split Drawer	12-18	Valance – Roman	13-16
Split Leg Onlay	12-9	Valance – Straight	13-15
Split Spindles, Spools, & Blocks	13-13	Valance Toe Kick Effect	12-16
Staffordshire	5-53	Valance – Traditional	13-15
Stain & Paint	13-31	Vanity Base Cabinets	9-1
Staple Drawers	12-10	Vanity Base Cabinets with Full Height Doors	9-2
Stelvio	5-54	Vanity Desk Leg	9-19
Stepped Inset	4-5	Vanity End Diagonal Cabinets	9-2
Sub Molding	13-8	Vanity End View	3-14
Super Pantry Tall Cabinets	8-10	Vanity Four-Drawer Cabinets	9-3
Timpanogos	5-55	Vanity Sink Cabinets	9-5
Tall Column Boxes	13-20	Vanity Sink Cabinets with 3-Drawers	9-7
Tall End Corner Cabinets	8-19	Vanity Sink Cabinets with 6-Drawers	9-7
Tall End Diagonal Cabinets	8-19	Vanity Sink Cabinets with Drawers on Side	9-6
Tall Utility Base Bottom Cabinets	8-11	Vanity Sink Drawer Combination Cabinets	9-6
Tall Utility FHD Bottom Cabinets	8-12	Vanity Sink Fronts	9-8
Tall Wainscot Panels	13-22	Vanity Three-Drawer Cabinets	9-3
Tip-Out Tray	12-23	Vanity Two-Drawer Cabinets	9-4
Toe Base Skin	13-10	Vanity Utility Base Bottom Cabinets — Adult Height	9-20
Toe Kick on Back	12-15	Vanity Utility Base Bottom Cabinets — Standard Height	9-20
Toe Kick on Side	12-15	Vanity Utility FHD Bottom Cabinets — Adult Height	9-21
		Vanity Utility FHD Bottom Cabinets — Standard Height	9-21
Toe Kick with Drawer	12-17	Vanity Utility Three-Drawer Cabinets — Adult Height	9-22
Top/Bottom Valance	12-6	Vanity Utility Three-Drawer Cabinets — Standard Height	9-22
Touch-up Kit	13-31	Vanity Wall Cabinets	9-18
Traditional Furniture Double Combination Sink Base	9-17	Vanity Wall Cabinets with Shelf	9-18
Traditional Furniture Single Combination Sink Base	9-16	Vanity Wall Cabinets with Towel Bar	9-18
Traditional Island Legs	13-17	Vanity with Two Deep and Two Shallow Drawers Cabinets	9-4
Traditional Knee Brackets	13-14	Victorian Doors	12-10
Transom Corner Wall Cabinets — 24" Wide	6-22	Victorian Knee Brackets	13-14
Transom Corner Wall Cabinets — 27" Wide	6-22	Vintage Paints	3-4
Transom Wall Cabinets	6-14	Wainscot (RPBB)	13-22
Tray Divider	12-24	Wainscot Return	12-27
Trinity Fronts	4-3	Wall Angled Spice Fillers	6-37
Tucson	5-57	Wall Blind Corner Cabinets — 24", 27", 30", 33"	6-17
Unfinished	3-6	Wall Blind Corner Cabinets — 36", 39", 42"	6-18
Universal Access Toe Kick	12-17	Wall Cabinets — 12"	6-1
Utility Cabinets — 84" Tall	8-1	Wall Cabinets — 15"	6-2
Utility Cabinets — 87" Tall	8-1	Wall Cabinets — 18"	6-3
Utility Cabinets — 90" Tall	8-2	Wall Cabinets — 21"	6-4
Utility Cabinets — 93" Tall	8-2	Wall Cabinets — 24"	6-5
Utility Cabinets — 96" Tall	8-3	Wall Cabinets — 27"	6-6

Wall Cabinets — 30" -----	6-7	Wall Plate Rack Cabinets with Valance -----	6-32
Wall Cabinets — 33" -----	6-8	Wall Pull-Out Cabinets -----	6-36
Wall Cabinets — 36" -----	6-9	Wall Small Appliance Center Cabinets -----	6-24
Wall Cabinets — 39" -----	6-10	Wall Small Appliance Center Cabinets with Doors -----	6-25
Wall Cabinets — 42" -----	6-11	Wall Spice Fillers -----	6-36
Wall Column Boxes -----	13-20	Wall Three-Drawer Cabinets -----	6-29
Wall Desk Letter Organizer Cabinets -----	6-33	Wall Top Hinge Cabinets — 12", 15", 18", 21" -----	6-12
Wall End Angle Cabinets — 24", 27", 30", 33" -----	6-38	Wall Top Hinge Cabinets — 24", 27", 30" -----	6-13
Wall End Angle Cabinets — 36", 39", 42" -----	6-39	Wall Wainscot Panels -----	13-21
Wall End Corner Cabinets -----	6-40	Wall What Not 135° Shelves -----	6-41
Wall End Diagonal Cabinets -----	6-40	Wall What Not Diagonal Shelves -----	6-41
Wall End View -----	3-9	Wall What Not Radius Shelves -----	6-41
Wall Medicine Cabinets -----	9-18	Wall What Not Shelves — 45° -----	6-40
Wall One-Drawer Cabinets -----	6-28	Walnut -----	3-3
Wall Plate Rack Cabinets -----	6-33	Wardrobe Rod -----	12-24

BLR-08------(Light Rail)-----13-8	CRA_----- (Crown Assembly)-- 12-25	FBP_----- (Back Panels)----- 13-27
BM-08----- (Base Mold)----- 13-4	CRB09----- (Knee Bracket)----- 13-14	FBPV----- (Back Panel)----- 13-27
BMOV_----- (MW Base)----- 7-11	CRB11----- (Knee Bracket)----- 13-14	FHRBD_----- (Range Base)-----7-10
BOC_----- (Base Oven)----- 7-11	CRFT----- (Decorative Foot)----- 13-13	FHRB_----- (Range Base)-----7-10
BP_----- (Base Pull-Out)-----7-21	CSB_----- (Corner Sink)----- 7-8	FHSB_----- (Sink Base)----- 7-6
BSC_----- (Base Scooped)----- 7-9	CSF_----- (Sink Front)----- 7-8	FIL_----- (Island Legs)----- 13-17
BSEP01----- (Spice End Panel) -- 13-26	CSS3----- (Split Spool)----- 13-13	FLB_----- (Fillers)----- 13-18
BSF_----- (Base Spice)-----7-21	CTM-08----- (Contemporary Trim)---13-7	FL_----- (Fillers)----- 13-18
BSM-08----- (Base Shoe)----- 13-6	CVSF_----- (Vanity Front)----- 9-8	FS----- (Floating Shelves) -- 13-29
BSP36----- (Base Pantry)----- 7-20	CW24_----- (Corner Wall)-----6-20	FSS-08----- (Split Spindle)----- 13-13
BT_----- (Base Tray)----- 7-20	CW27_----- (Corner Wall)-----6-20	FVAS----- (Floating Vanity)----- 9-11
BTES_----- (Beaded End Skins) - 13-26	CWBF24_--- (Corner Wall Bi-Fold) -- 6-22	FVB----- (Floating Vanity)----- 9-10
BTM-08----- (Batten)----- 13-6	CWR24_----- (Corner Wall)----- 6-21	FVB_FHD----- (Floating Vanity)----- 9-10
BTM125-08----- (Batten)----- 13-6	CWR27_----- (Corner Wall)----- 6-21	FV3D----- (Floating Vanity)----- 9-11
BVES30----- (Beaded End Skin)-- 13-26	CWSAC24_---- (Corner Wall SAC)---6-23	FV2D2S----- (Floating Vanity)----- 9-11
BW15----- (Base Waste)----- 7-22	CWSAC27_---- (Corner Wall SAC)---6-23	FV2D----- (Floating Vanity)-----9-12
BWD_----- (Base Waste)----- 7-22	CWSACD24_-- (Corner Wall SAC)---6-23	FV1S1D----- (Floating Vanity)-----9-12
BWES_----- (Beaded End Skins) - 13-26	CWSACD27_-- (Corner Wall SAC)---6-23	FVS----- (Floating Vanity)-----9-12
BWN_----- (Base What Not)---- 7-26	D2DC_----- (Desk Drawer)----- 10-8	FVSC----- (Floating Vanity)-----9-13
BWND_----- (Base What Not)---- 7-26	D2FD_----- (Desk File)----- 10-9	FVS3D----- (Floating Vanity)-----9-13
BWP_----- (Wainscot Panels) ---13-21	D3DC_----- (Desk Drawer)----- 10-8	FVSD----- (Floating Vanity)-----9-13
BWR_----- (Base Wine)----- 7-22	DBB_----- (D.E. Base Blind)-----7-17	FVS4D----- (Floating Vanity)----- 9-14
BWRD_----- (Base Wine)----- 7-23	DBB_FHD----- (D.E. Base Blind)-----7-17	FVS6D----- (Floating Vanity)----- 9-14
BWRT_----- (Base Wine)----- 7-23	DB_----- (Double Entry Base) --- 7-5	ICBE24FIL -- (Island Component Legs) - 11-4
BWRTD_----- (Base Wine)----- 7-23	DB_FHD----- (Double Entry Base) --- 7-5	ICBE24RIL_ (Island Component Legs) - 11-4
BWRX_----- (Base Wine)----- 7-23	DBL----- (Decorative Foot) --- 13-13	ICBE24SIL_ (Island Component Legs) - 11-4
BWSD_----- (Window Seat)----- 7-20	DCB3D_----- (Base Corner Drawer) --7-19	ICBE24TIL_ (Island Component Legs) - 11-4
BWS_----- (Window Seat)----- 7-20	DC_----- (Desk Base)----- 10-7	ICBU_----- (Island Component) --- 11-3
CA275-08----- (Casing Molding) --- 13-2	DCW24_----- (Corner Wall)----- 6-21	ICCS_----- (Island Component) --- 11-5
CA35-08----- (Casing Molding) --- 13-2	DCWR24_----- (Corner Wall)----- 6-22	ICDD_----- (Island Component) --- 11-3
CB3D_----- (Base Corner Drawer) --7-19	DFD_----- (Desk File)----- 10-9	ICDU_----- (Island Component) --- 11-3
CBF330TK----- (Corner Filler)----- 13-18	DFP-DD----- (DW Front Panel) -- 13-24	ICM-08----- (Inside Corner)----- 13-6
CBM-08----- (Base Mold)----- 13-4	DFP-DO----- (DW Front Panel) -- 13-24	ICR325-08----- (Insert Crown)----- 13-2
CCR35-08----- (Cove Crown)----- 13-3	DFP-FS----- (DW Front Panel) -- 13-24	ICSD_----- (Island Component) --- 11-3
CCR425-08----- (Cove Crown)----- 13-3	DFP-IDD----- (DW Front Panel) -- 13-24	ICS_----- (Island Components)--- 11-5
CDL----- (Decorative Foot) --- 13-13	DFP-ID----- (DW Front Panel) -- 13-24	I_FIL----- (Pre-Built Islands)----- 11-6
CEM-08----- (Counter Edge)----- 13-6	DLO_----- (Desk Organizer) --- 6-33	I_RIL----- (Pre-Built Islands)----- 11-6
CER36SS----- (Base Corner)-----7-18	DM-08----- (Decorative)----- 13-12	I_SIL----- (Pre-Built Islands)----- 11-6
CER_----- (Base Corner)-----7-18	DPM-08----- (Decorative)----- 13-12	I_TIL----- (Pre-Built Islands)----- 11-6
CERD36SS----- (Base Corner)-----7-19	DRB33----- (Rosette Block)----- 13-13	KDU_-21----- (Drawer Unit)----- 9-19
CERD_----- (Base Corner)-----7-19	DRB66----- (Rosette Block)----- 13-13	KDU_----- (Drawer Unit)----- 7-22
CF135_----- (135° Fillers)----- 13-19	DTC_----- (Desk Base)----- 10-7	LS36----- (Lazy Susan)----- 7-18
CFL330----- (Corner Filler)----- 13-18	DTEP_----- (End Panels)----- 13-25	LSD36----- (Lazy Susan)----- 7-18
CFLB3----- (Corner Filler)----- 13-18	DU3D_----- (Desk Utility)----- 10-11	M-3D----- (Three Doors)----- 12-8
CFO_----- (Filler Overlays)----- 13-19	DUB_----- (Desk Utility)-----10-10	M-4D----- (Four Doors)----- 12-8
CM-08----- (Outside Corner) --- 13-5	DUF_----- (Desk Utility)-----10-10	M-9MD----- (Mullion Door)----- 12-11
CM15-08----- (Outside Corner) --- 13-5	DW_18_ _30 -- (Double Entry Wall) --6-15	M-11MD----- (Mullion Door)----- 12-11
CM135-08----- (Outside Corner) --- 13-5	DW_33_ _42 -- (Double Entry Wall) -- 6-16	M-ABB----- (Add Bread Board)--- 12-18
CMF-08----- (Mirror Frame)----- 13-5	DWB_----- (Dbl. Entry Wall Blind)-- 6-19	M-AD----- (Add Drawer)----- 12-18
CNM-08----- (Cornice)----- 13-9	DWEP_----- (DW End Panels) -- 13-25	M-ADP----- (Add Profile)----- 12-25
CR3-08----- (Crown)----- 13-1	EBM-08----- (Base Mold)----- 13-4	M-AF002_---- (Aluminum Doors) --- 5-61
CR125-08----- (Crown)----- 13-1	ED25-08----- (Egg & Dart)----- 13-12	M-AF003_---- (Aluminum Doors) --- 5-61
CR175-08----- (Crown)----- 13-1	ED075-08----- (Egg & Dart)----- 13-12	M-AF006_--- (Aluminum Doors) --- 5-61
CR325-08----- (Crown)----- 13-1	EDL----- (Decorative Foot)----- 13-13	M-AF007_---- (Aluminum Doors) --- 5-61
CR425-08----- (Crown)----- 13-1	EP_----- (End Panels)----- 13-25	M-AF010_---- (Aluminum Doors)----- 5-61

Index by Nomenclature

PREFERRED
BY KARMAN

M-AF-__ -----(Add Fluting) ----- 12-25	MOV30__ -----(MW Cabinets) -- - 6-27	----- - -
M-AHM----- (Add Heel) ----- 12-26	MOVT27__ -----(MW Cabinets) -- - 6-27	RC__ ----- (Oven Cabinets)-----8-18
M-AMB----- (Add Miter)----- 12-26	MOVT30__ -----(MW Cabinets) -- - 6-27	RCSB__----- (Corner Sink) ----- 7-8
M-AMF----- (Add Miter)----- 12-26	M-PAR -----(Interior Partition) --- 12-5	RDM-08 -----(Decorative) ----- 13-12
M-AP----- (Angled Panel) -----12-7	M-PC -----(Pipe Chase) ----- 12-3	RDSS-08 ----- (Split Spindle)----- 13-13
M-ASC ----- (Angled Side)----- 12-3	M-PD----- (Pocket Doors) ----- 12-4	REP__ ----- (Ref. End Panels) -- 13-25
M-AST ----- (Angled Stile)-----12-7	M-PDPS ----- (Pocket Doors/Shelves) 12-4	RFP-DO-__-CS- (Ref. Front Panels) -- 13-23
M-ASU ----- (Angled Side)----- 12-3	M-PFBF -----(Prep for Bunn Foot) -- 12-17	RFP-DO-__-KS- (Ref. Front Panels) -- 13-23
M-BFE -----(Beaded Fin. End) --- 12-13	M-PPG -----(Prepared for Glass) -- 12-11	RFP-FS-__-CS - (Ref. Front Panels) -- 13-23
M-BV----- (Bottom Valance) --- 12-6	M-RDD ----- (Reduce Drawer) --- 12-18	RFP-FS-__-KS - (Ref. Front Panels) -- 13-23
M-CC ----- (Clipped Corner) --- 12-5	M-RDH ----- (Reduce Drawer) --- 12-18	RFP-OS-__-CS- (Ref. Front Panels) -- 13-23
M-CCO----- (Cabinet Case Only) -- 12-2	M-RD-__ ----- (Reduced Depth) --- - 12-1	RFP-OS-__-KS- (Ref. Front Panels) -- 13-23
M-CFS ----- (Chamfer Stile) ----- 12-8	M-RH-__ ----- (Reduced Height) --- - 12-1	RIL__ ----- (Island Legs) ----- 13-17
M-CRED----- (Crescent Doors) --- 12-10	M-RTRN----- (Wainscot Return) -- 12-27	RM-08 ----- (Decorative) ----- 13-12
M-DC ----- (Dust Cover) --- - 12-5	M-RW-__ ----- - (Reduced Width) --- - 12-1	RPBB ----- (Wainscot Panel) -- 13-22
M-DD ----- (Docking Drawer) -- 12-20	M-SBSB----- - (Split Back)----- 12-3	RPSS-08 ----- (Split Spindle)----- 13-13
M-DE----- (Double Entry) -- - 12-3	M-SD ----- - (Split Drawer)----- 12-18	RRB__ ----- (Range Base) ----- 7-9
M-DPC ----- (Drawer Pipe Chase)- 12-20	M-SET__ ----- (Shelf Edge) ----- 12-26	RSS-08----- (Split Spindle)----- 13-13
M-ERB ----- (Extend Rail Bottom) -- 12-6	M-SLO ----- (Spit Leg Onlay)----- 12-9	RTM-08 ----- (Decorative) ----- 13-12
M-ERT ----- - (Extend Rail Top) --- 12-6	M-STD ----- (Staple Drawers) --- 12-10	SACD__ ----- (Small Appliance) --- 6-26
M-ESB ----- (Extend Side Back) -- 12-5	M-TKD ----- (Toe w/ Drawer)----- 12-17	SACDST__ ----- (Small Appliance) --- 6-26
M-ESDN ----- (Extend Side Down) -- 12-5	M-TKOB ----- (Toe Kick on Back)--- 12-15	SAC__ ----- (Small Appliance) --- 6-26
M-ESF ----- (Ext. Stile to Floor) --- 12-16	M-TKOS ----- (Toe Kick on Side) --- 12-15	SACST__ ----- (Small Appliance) --- 6-26
M-EST ----- (Extend Stile) ----- 12-7	M-TKOW----- (Toe on Wall Cab.) --- 12-17	SBB__ ----- (Sink Blind Base) ----- 7-7
M-ESUP ----- (Extend Side Up) --- 12-5	M-TV ----- (Top Valance)----- 12-6	SBCC__ ----- (Sink Base)----- 7-7
M-FBO ----- (Finished Bottom) --- 12-4	M-UATK ----- (Universal Toe) ----- 12-17	SBF1522 ----- (Sample Doors)----- 2-7
M-FEFD ----- (Frame on End) ----- 12-13	M-VICB ----- (Victorian Doors) --- 12-10	SB__ ----- (Sink Base)----- 7-6
M-FE----- (Finished End) ----- 12-13	M-VICT ----- (Victorian Doors) --- 12-10	SCM-08 ----- (Scribe)----- 13-7
M-FENFD ----- (Frame on End) ----- 12-13	M-VTKE ----- (Valance Toe Effect) -- 12-16	SCR25-08 ----- (Shaker Crown)----- 13-2
M-FFDO ----- (Face Frame & Doors) - 12-2	M-WRB ----- (Wide Rail Bottom)--- 12-6	SCR25-08 ----- (Shaker Crown)----- 13-2
M-FFO ----- (Face Frame Only)--- 12-2	M-WRT ----- (Wide Rail Top) ----- 12-6	SDL ----- (Decorative Foot) --- 13-13
M-FFS----- (Furniture Stile) ----- 12-8	M-WST ----- (Wide Stile)----- 12-7	SDR----- (Sample Doors)----- 2-7
M-FIB ----- (Fin. Beaded Interior) -- 12-4	M-XMD ----- (Mullion Door)----- 12-11	SF__ ----- (Sink Front)----- 7-7
M-FI----- (Finished Interior) --- 12-4	OBM-08 ----- (Base Mold) ----- 13-4	SGDR ----- (Sample Doors)----- 2-7
M-FTK ----- (Flush Toe Kick)----- 12-16	OCDBL__ ----- (Oven Cabinets)----- 8-16	Shi1ap0696----- (Shi1ap)----- 13-11
M-FTKV ----- (Flush Valance Toe) -- 12-16	OCDMOV__ ----- (Oven Cabinets)----- 8-17	Shi1ap96C----- (Shi1ap Custom) --- 13-11
M-IDB ----- (Increase Drawer) --- 12-18	OCD__ ----- (Oven Cabinets)----- 8-15	SIL__ ----- (Island Legs) ----- 13-17
M-ID-__ ----- (Increased Depth) --- - 12-1	OICM-08 ----- (Inside Corner) ----- 13-6	SPB6 ----- (Plinth Block) ----- 13-13
M-IF----- (Inverted Frame) --- 12-9	OMOF ----- (Oven Cabinets)----- 8-18	SS3 ----- (Split Spool) ----- 13-13
M-IH-__ ----- (Increased Height) --- - 12-1	P2-__ ----- (Pull) ----- 5-62	SS0696-__ ----- (Solid Stock) ----- 13-10
M-IW-__ ----- (Increased Width) --- - 12-1	PADS__ ----- (Super Pantry) ----- 8-10	SSB0696 ----- (Solid Stock) ----- 13-10
M-IWP----- (Integrated Wainscot) - 12-14	PBM-08 ----- (Parting Bead) ----- 13-7	SUBM03-08----- (Sub Molding)----- 13-8
M-LTK----- (Loose Toe Kick) --- 12-15	PB__ ----- (Pantry Broom) ----- 8-9	SUBM15-08 ----- (Sub Molding)----- 13-8
M-MD ----- - (Mullion Door)----- 12-11	PC__84 ----- (Pantry Cabinet)----- 8-5	SWF1522 ----- (Sample Doors)----- 2-7
M-MF ----- (Modify Frame) ----- 12-9	PC__87 ----- (Pantry Cabinet)----- 8-5	TBS96 ----- (Toe Base)----- 13-10
M-NF----- (No Floor) ----- 12-4	PC__90 ----- (Pantry Cabinet)----- 8-6	TCB__ ----- (Column Boxes)--- 13-20
M-NTK ----- (No Toe Kick) ----- 12-15	PC__93 ----- (Pantry Cabinet)----- 8-6	TCBD__ ----- (Column Boxes)--- 13-20
M-OC ----- (Offset Corner) ----- 12-3	PC__96 ----- (Pantry Cabinet)----- 8-7	TCBO__ ----- (Column Boxes)--- 13-20
M-OCO----- (Oven Cut-Out) ----- 12-9	PDM --- (Profiled Decorative Molding) 13-11	TCW24__ ----- (Transom Corner) --- 6-22
M-OE ----- (Organizational End) -- 12-14	PEN__ ----- (Wall Peninsula) --- 6-40	TCW27__ ----- (Transom Corner) --- 6-22
M-OFIB----- (Fin. Beaded Interior) -- 12-4	PF__ ----- (Pantry Front)----- 8-8	TDL ----- (Decorative Foot) --- 13-13
M-OFI ----- - (Open Fin. Interior)--- 12-4	PLR__08 ----- (Light Rail) ----- 13-8	TEC__ ----- (Tall Corner) ----- 8-19
M-OP ----- - (1-Piece Mod)----- 12-2	PM__08 ----- (Pilaster)----- 13-9	TED__ ----- (Tall Diagonal)----- 8-19
M-OSH ----- (Omit Shelf Holes) -- 12-26	RB__ ----- (Range Base)----- 7-9	TES__ ----- (End Skins)----- 13-26
MOV27__ ----- (MW Cabinets) ----- 6-27	----- - -	TFO__ ----- (Filler Overlays)----- 13-19

TICM-08 -----(Inside Corner) ----- 13-6	VDU_ -----(Drawer Units) ----- 10-8	W_30 -----(Wall) ----- 6-7
TIL_ -----(Island Legs) ----- 13-17	VED_ -----(Vanity Diagonal) ----- 9-2	W_33 -----(Wall) ----- 6-8
TKB_ -----(Knee Bracket) ----- 13-14	VES30 -----(End Skin) ----- 13-26	W_36 -----(Wall) ----- 6-9
TLR-08 -----(Light Rail) ----- 13-8	VE_ -----(Valances) ----- 13-16	W_39 -----(Wall) ----- 6-10
TMF-08 -----(Mirror Frame) ----- 13-5	VF_ -----(Vanity Front) ----- 9-8	W_42 -----(Wall) ----- 6-11
TUB_ -----(Utility Base Bottom) --- 8-11	VKB_ -----(Knee Bracket) ----- 13-14	WAC_ -----(Apothecary) ----- 6-30
TUF_ -----(Utility Base Bottom) --- 8-12	VP_ -----(Valances) ----- 13-16	WACF_ -----(Apothecary) ----- 6-31
TWP_ -----(Wainscot Panels) -- 13-22	VR_ -----(Valances) ----- 13-16	WB_24- _33 -- (Wall Blind Corner) --- 6-17
TW_ -----(Transom Wall) ----- 6-14	VS3D_ -----(Vanity Sink) ----- 9-7	WB_36- _42 -- (Wall Blind Corner) --- 6-18
UF_ -----(Utility Front) ----- 8-4	VS6D_ -----(Vanity Sink) ----- 9-7	WBBT_ SG --- (Butcher Block Tops) --- 11-6
UT3D_ -----(Utility 3-Drawer) --- 8-14	VSC_ -----(Vanity Sink) ----- 9-6	WCB_ -----(Column Boxes) --- 13-20
UT4D_ -----(Utility 4-Drawer) --- 8-13	VSD_ -----(Vanity Sink) ----- 9-6	WCBD_ -----(Column Boxes) --- 13-20
UT_84 -----(Utility) ----- 8-1	VS_ -----(Valance) ----- 13-15	WCBO_ -----(Column Boxes) --- 13-20
UT_87 -----(Utility) ----- 8-1	VS_ -----(Vanity Sink) ----- 9-5	WDLO_ -----(Desk Organizer) --- 6-33
UT_90 -----(Utility) ----- 8-2	VT_ -----(Valance) ----- 13-15	WEA_24- _33 -- (Wall End Angle) --- 6-38
UT_93 -----(Utility) ----- 8-2	VU3D_ -----(Vanity Utility) ----- 9-22	WEA_36- _42 -- (Wall End Angle) --- 6-39
UT_96 -----(Utility) ----- 8-3	VUB_ -----(Vanity Utility) ----- 9-20	WEC_ -----(Wall End Corner) --- 6-40
UTP_ -----(Pull-Out Cabinet) --- 8-10	VUF_ -----(Vanity Utility) ----- 9-21	WED_ -----(Wall End Diagonal) -- 6-40
V2D2S_ -----(Vanity Drawer) ----- 9-4	VW2_ -----(Vanity Wall) ----- 9-18	WES_ -----(End Skins) ----- 13-26
V3D_ -----(Vanity 3-Drawer) ----- 9-3	VWTB_ -----(Vanity Wall) ----- 9-18	WFO_ -----(Filler Overlays) ----- 13-19
VAPC_ -----(Apothecary) ----- 6-30	VWW_ -----(Vanity Wall) ----- 9-18	WGH_ -----(Wine Glass Holders) -- 6-35
VAPCF_ -----(Apothecary) ----- 6-31	W1D_ -----(Wall 1-Drawer) ----- 6-28	WMC_ -----(Wall Medicine) ----- 9-18
VA_ -----(Valance) ----- 13-15	W3D_ -----(Wall 3-Drawer) ----- 6-29	WPRC_ -----(Plate Rack) ----- 6-33
VB_FHD -----(Vanity Base) ----- 9-2	W_12 -----(Wall) ----- 6-1	WPRC_-(VAL) -----(Plate Rack) ----- 6-32
VB_ -----(Vanity Base) ----- 9-1	W_15 -----(Wall) ----- 6-2	WP_ -----(Wall Pull-Out) ----- 6-36
VCA_ -----(Valance) ----- 13-15	W_18 -----(Wall) ----- 6-3	WRD_ -----(Wine Rack) ----- 6-34
VC_ -----(Valances) ----- 13-16	W_21 -----(Wall) ----- 6-4	WR_ -----(Wine Rack) ----- 6-35
VDU_ -----(Drawer Unit) ----- 7-22	W_24 -----(Wall) ----- 6-5	WRX_ -----(Wine Rack) ----- 6-34
VDU_ -----(Drawer Unit) ----- 9-19	W_27 -----(Wall) ----- 6-6	WSACD_ -----(Wall SAC) ----- 6-25

PREFERRED BY KARMAN

GENERAL INFORMATION

SECTION 2

Index

GENERAL INFORMATION

Cabinet Care Instructions	2-6
Credit Policy	2-1
Expedite Orders	2-3
Limited Lifetime Warranty	2-6
Ordering & Scheduling	2-2
Pricing	2-1
Shipping	2-4
Warranty Orders	2-2

SALES AIDS

Auxiliary Selling Units	2-9
Sales Aids	2-7
Selling Centers	2-8

FORMS

Classic Select Worksheet	2-15
Custom Finish Worksheet	2-16
M OCO Worksheet	2-11
Online Forms	2-10
RFP-DO Worksheet	2-12
RFP-FS Worksheet	2-13
RFP-OS Worksheet	2-14

Our commitment at Cabinetry by Karman is to deliver consistent quality, on-time; as we work everyday to exceed our customers' expectations.

PRICING

Price Multipliers

Karman pricing is based on a factory list price multiplied by a pre-established price multiplier. For more information on price multipliers, contact your Territory Business Manager.

Taxes

Any tax or other "government" charge now or hereafter levied upon the sale, use or shipment of goods will be the sole responsibility of the buyer.

Displays

Displays are very important to a successful business. Contact your Territory Business Manager for more information. Your account must be current in order to qualify for any display discounts. Display orders will be entered upon approval of applicable discounts.

CREDIT POLICY

Terms of Payment

We offer 2% 15 days, Net 30 for accounts that have viable credit information to extend open terms. The billing period runs from a fiscal calendar month. The 2% prompt payment discount is only available when paying by check.

Pre-paid by Credit Card – Your credit card is charged immediately. Some customers prefer this option to avoid any delay in production. A credit card processing fee of 3% will be assessed on all credit card payments.

Pre-paid by Cashiers' Check – Payment must be received before your order is sent to production.

Any payment made with a credit card will be subject to a 3% processing fee. Credit card payments are not eligible for any terms discounting.

Cabinetry by Karman does not offer COD terms.

Please send your payment to:

Cabinetry by Karman

File 70231

Los Angeles, CA 90074-0231

Past Due Accounts

Accounts that become past due 30 days or more will be charged 1.5% service charge per month on all past due amounts. Karman also reserves the right to add a \$50 service charge fee to an account, in the event a check has been returned from a bank for non-sufficient funds. Any account which becomes 60 days past due will be placed on Credit/Stop Ship Hold and/or Prepay with a Cashiers Check, at the discretion of the Credit Department. At 75 days past due all order entry will be stopped. Accounts with past due invoices 90 days and beyond will be turned over to collections and the account will be closed. Karman reserves the right to add any past due amounts to Prepay orders.

ORDERING & SCHEDULING

All orders must be submitted on the appropriate Karman order form, which can be found on the Cabinetry by Karman dealer portal. Orders generated using a computerized quoting program must be submitted with an order form as cover sheet.

Order Cutoff Times

Lead times for all orders are based on business days. These business days begin on the date the signed with no changes "Order Confirmation Sign Off & Release" form is received; before 12:00 PM Mountain Standard Time. A sign off received at 3:00 PM, for example, would be considered as received the following business day.

Production Schedule

New orders are scheduled with a ship date, once signed off, on a first-come, first-serve basis. Requested ship dates are honored as the schedule allows. Cabinetry by Karman has implemented a cycle ship program to better service our dealers. In most areas, this means there is a weekly truck delivering orders. (Please contact your Customer Care representative for details.) Orders will be scheduled to ship on your area's specific cycle ship date. Current lead times are kept up to date on the dealer website. If Karman reaches its capacity for production, this would move orders out an additional cycle shipment. Karman will notify dealers if production lead times are extended. Please see the Cabinetry by Karman dealer portal for updated cycle truck shipping schedule for your region.

Extended Lead Items – 5 Additional Working Days

Custom Finish™ Program

Extended Lead Items – 10 Additional Working Days

Door Styles:	Aurora, Metro, Monarch, Nova, Staffordshire, Tucson, Woodridge
Enhancements:	Bisque, Heavy Brush Stroke, Light Brush Stroke, Old World Beaded Inset, Flush
Construction Upgrades:	Inset, Sculpted Inset, Stepped Inset
Modifications:	Aluminum Frame Doors, Increased Height Tall Cabinets (M-IH-T)

Order Acknowledgments and Sign Off

Acknowledgments will be sent to you approximately 24 to 48 hours after your order is received. It is the dealer's responsibility to review the acknowledgment carefully, Karman will not take responsibility for any errors or changes that are not corrected by the dealer. Ship dates are not assigned until final sign off.

If no changes are requested, select Process/Release Order on the "Order Confirmation Sign Off & Release" form, sign the form, and submit it to Customer Care. A ship date will be assigned at that time and a final acknowledgment will be sent.

If changes are requested, they should be made to the acknowledgement and returned to Customer Care along with the "Order Confirmation Sign Off & Release" form. The dealer can elect to either have the changes processed and re-acknowledged or have the changes processed and the order released to manufacturing. If the order is re-acknowledged, the dealer will be responsible to return the sign off form to release that order and receive a ship date.

Expedite and warranty orders are released to manufacturing and acknowledged at the same time, no sign off is required. It is the dealer's responsibility to submit correct expedite and warranty orders.

Changes or cancellations must be submitted in writing to Customer Care and may only be processed on orders that have not been signed off.

No changes or cancellations of orders will be allowed on orders that have already been signed off.

WARRANTY ORDERS

Orders for cabinets or parts to replace those that were manufactured incorrectly or damaged in shipping should be sent on the Karman Warranty Order Form. It is Karman's company policy to bill for all items not noted as being replaced for reasons found in our written warranty. Please specify reason for all warranty replacements under the Explanation of Defect section of the form. If no reason is given for the replacement, items will be charged in full. Customer Care may request that photos be sent via email to support warranty claims.

All warranty orders will be processed through Karman's four working day Rapid Response Warranty Replacement Program. Changes are not allowed on warranty orders. Karman reserves the right to request items back for rework in lieu of warranty replacement. All warranty orders will ship on next available Karman cycle delivery truck, assuming that cycle delivery leaves within 3 working days of the scheduled completion of the order, otherwise items will be shipped at no charge by a mode at Karman's discretion.

EXPEDITE ORDERS

Expedite Orders

The expedite order option should be used to order additional parts for any previously ordered kitchen. These parts orders will be produced and available for shipment within 8 working days. There are no changes allowed to any expedite order. Items ordered under the expedite program will receive a 15% premium as long as the items are above \$100 Net. If the order is below \$100 net, it will receive a minimum expedite processing fee of \$15 Net.

All orders will ship on next available Karman cycle truck delivery. Please review Standard Shipping Charges section for additional information regarding fees when items are not shipped on Karman trucks.

There is a maximum 4 cabinet limit on any standard expedite order. This program is not designed to accommodate full kitchen orders. Please contact your Territory Business Manager on rare situations outside this 4 cabinet parameter and your request will be reviewed and evaluated based on current production capacities.

Expedited Sample Door Order

Up to a maximum of three Sample Doors (SDR) and Sample Ganged Doors (SGDR) can be ordered using the Karman Expedited Sample Door program. Any sample doors produced by Karman will be produced and available for shipment within **4 working days** unless noted below. These sample doors will be designated to ship UPS by default to avoid any shipment delays on cycle trucks. Dealer is responsible for UPS shipping charges as designated in the Standard Shipping Charges section. Please specify when ordering if you would prefer to have the sample doors sent on next Karman cycle delivery truck. There will be no additional expedite premiums or fees for these sample doors. These sample doors can be any combination of door styles, wood species & finishes.

Finish Enhancements: Doors with any finish enhancement can not be accommodated within 4 working days and will instead be produced and available for shipment within **8 working days**.

Buy-In Doors: The following door styles are not manufactured by Karman and are not eligible for this program: Tucson, Aurora, Metro, Monarch, Nova, Staffordshire, and Woodridge. These door styles will require a minimum of **15 working days** before being available for shipment.

Note: The whole Expedited Sample Door order will default to the longest lead time of any item on the order. It is the dealer's responsibility to submit separate orders if doors with different lead times are to be shipped separately.

Quick Turn Items:

The following items will be available for shipment within 2 working days. These items will receive no additional expedite premiums or fees. These items will be designated to ship UPS by default to avoid any shipment delays on cycle trucks. Dealer is responsible for UPS shipping charges as designated in the Standard Shipping Charges section. Please specify when ordering if you would prefer to have the items sent on next Karman cycle delivery truck.

Sales & Marketing Items

Premium Literature

Stocked Items

Bread Drawer Cover

Loose Shelves – Standard Shelves

Door Bumpers – Clear

Moldings – Unfinished

Touch-up Kits

Panels – Unfinished

Fillers – Unfinished

Shelf Pins/Clips

Drawer Guides Hinges

Skins – Unfinished

Screws

Tip-Out Tray

Stains/Paints/Clear Coats

(See Modifications and Accessories for Hazmat Fee information)

SHIPPING

Standard Shipping:

Cabinetry by Karman's standard multiplier normally includes freight. The purchase agreement established with your account will specify that the multiplier does or doesn't include standard freight. Accounts set up as "Not Including Freight" are deemed Factory Will Call customers. A landed multiplier includes freight and will apply for combined order deliveries over 8 cabinets that ship to the dealer's place of business or designated warehouse/delivery agent location on Karman delivery trucks. Factory Will Call customers who request common carrier or Karman truck deliveries will be assessed a freight fee for any deliveries that are not picked up at the factory. An additional drop charge of \$75 will apply for deliveries going to multiple locations. Drop charges will be in addition to jobsite deliveries noted below.

Cabinetry by Karman reserves the right to ship orders of 8 or less cabinets via common carrier. Common carrier shipments will be tailgate only deliveries. Parts orders with over-size moldings (over 8') or panels (34"x48", 12"x96" or larger) can not be shipped via UPS and would need to ship via carrier if your delivery is 8 cabinets or less. Orders can be requested to be held to ship with later deliveries to avoid carrier shipments and additional fees, assuming the combined shipment exceeds 8 cabinets. Any shipment under 8 cabinets (combined order totals) will be assessed a \$150 Net drop charge when shipped on Karman delivery trucks.

The following additional fees will apply to any order of 8 or less cabinets, shipped via common carrier:

- 0 – 4 cabinets will be charged an additional fee of \$279 net.
- 5 – 8 cabinets will be charged an additional fee of \$349 net.
- Residential delivery will be charged an additional fee of \$25 net. Lift
- Gate-required will be charged an additional fee of \$65 net.

The following additional fees will apply to any order of 8 or less cabinets shipped via Karman delivery truck:

- 0 - 8 cabinets will be charged an additional fee of \$150 Net.

Any orders shipping via UPS will be charged additional UPS freight charges with a minimum \$15 net shipping fee.

Fuel Surcharge:

A fuel surcharge will be added to each order being shipped. This fuel surcharge will be figured and adjusted at time of ordering based on the US national average fuel index for diesel as provided by the US Department of Energy. Fuel Surcharge changes will be provided to dealers with 30 days notice. Fuel surcharge baselines are noted below:

Average Fuel Cost:	Fuel Surcharge:
\$3.00 – 3.49	1%
\$3.50 – 3.99	2%
\$4.00 – 4.49	3%
\$4.50 – 4.99	4%
\$5.00 – 5.49	5%
\$5.50 – 5.99	6%
\$6.00 – 6.49	7%
\$6.50 – 6.99	8%

Storage, Packaging & Returns

Cabinets not shipped within 15 days of the ship date may be subject to storage fees and invoicing of order prior to final shipment based on original scheduled production date.

All cabinets are fully cartoned.

No returns will be authorized due to the versatile offering of the product.

Palletizing Policy:

Orders may be palletized for an additional palletizing fee of \$48 net per pallet.

Palletized orders cannot be shipped on Karman delivery trucks. The order must be either Will Call or shipped by a dealer-arranged carrier and will be subject to the Will Call stipulations on the next page.

Job Site Deliveries:

Job site deliveries are subject to pre -approval and are an additional \$400 fee. If an order is to be sent to a site other than the dealer's place of business, the dealer must submit a job site delivery request form in writing. The jobsite must be accessible by a 53' tractor trailer and the dealer is responsible for unloading the product. It is required that all product be accounted for and accepted by the dealer. Jobsite delivery fee includes delivery to location within 50 miles of normal dealer designated delivery address. For deliveries outside of 50 miles, please contact Cabinetry by Karman for pricing.

Shipment Credit Hold:

An account may be placed on shipment credit hold if the account balance is over 60 days past due or you have exceeded the credit limit established for your account. Orders that have not been released in time to make current delivery because of Shipment Credit Hold will automatically be moved to next available cycle truck. Any customer who requests that the order be shipped on alternate methods instead of the next cycle truck will be responsible for all additional freight charges. It is the dealership's responsibility to know when orders are shipping and that their accounts are current and within established credit limits. Please contact Karman Credit Department if you have questions regarding the current status of your account.

Freight Damage & Shortages

Orders should be examined carefully before signing acceptance of the order. If visible damage or product shortage occurs, a notation must be made on the freight bill at the time of acceptance and reported to Cabinetry by Karman's Customer Service immediately. A signed delivery receipt without notations will indicate a complete shipment. Karman will not be liable for shortages or damages if the signed delivery receipt did not acknowledge any shortage or damage.

Concealed damage must be reported to Karman within 30 days of delivery. If damage is not reported properly within 30 days, the dealer assumes all responsibility for damage. Concealed damage includes items that are broken, scratched, gouged, cracked, split, chipped, dented or marred in any way. Cabinetry by Karman is not responsible or obligated to replace any damage whatsoever if this procedure is not followed.

Will Call, Loss & Damage Claims

Will Call includes all orders picked up from Karman by a dealer, or in the rare case, a dealer designated carrier. The dealer assumes all responsibility for loss or damage once the product leaves our dock. All loss or damage claims must be filed by the dealer directly with the carrier. Product replacements and shipping of those replacements will be the sole responsibility of the dealer. 24 -hour notice is required for Will Call pickups.

Backorder Items

In the rare event of a backorder item, Cabinetry by Karman will ship the order on the next available cycle truck at Karman's expense. Karman has determined the dedicated cycle truck carriers are the most reliable way of getting the product to the dealer complete and undamaged. If there is not a cycle truck scheduled for that customer, Karman will determine the best method of shipping. UPS ground or regular LTL shipping is the alternative standard, and will be at Karman's expense. The customer assumes freight charges on any alternate delivery request, including expediting fees.

LIMITED LIFETIME WARRANTY

Cabinetry by Karman, Inc. provides a Limited Lifetime Warranty on its Preferred and Affinity Series to the original consumer purchaser for the lifetime of the product from original date of purchase.

This warranty constitutes the exclusive remedy against Cabinetry by Karman for all cabinetry parts which have been proven to Cabinetry by Karman's satisfaction to be defective in material and/or workmanship under normal residential usage. This warranty is only valid in the United States of America. Any warranties are limited to the first and original buyer, and are not transferable to subsequent owners.

Cabinetry by Karman cabinets are certified by the Kitchen Cabinet Manufacturers Association. All warranties will be void if cabinets or cabinet parts are in any way mishandled, modified, damaged or improperly installed. Also voiding the warranty are storage situations where loading exceeds the Kitchen Cabinet Manufacturers Association testing and certification standards which are in compliance with American National Standards Institute #A161-2000.

Furthermore, this warranty will not apply to cabinets or cabinet parts damaged by abuse, misuse, neglect, acts of God, storage or installation in a non-environmentally controlled area, exposure to moisture, water, extreme temperatures, the effects of normal wear and tear or installed or utilized in other than normal residential applications, including commercial applications. Additionally, warranty will not apply to any finishes not applied by Karman on unfinished or primed-only cabinetry. Cabinets must be installed for 90 days in order to be considered for Warranty.

To file a warranty claim, the original purchaser should contact the Cabinetry by Karman Dealer where the product was purchased. Proof of original purchase is required. The dealer will obtain the necessary information required and forward the request in writing to Cabinetry by Karman. At its discretion, Cabinetry by Karman will either replace or repair the defective part. This warranty does not cover costs associated with shipping or transportation of replacements, removal or installation costs, loss of time, use or revenue or other incidental damages, regardless of whether the work was performed by a contractor, service company or consumer. Replacement parts and cabinets may not match your existing cabinetry due to changes in the finish and wood over time. Cabinetry by Karman reserves the right to substitute discontinued products with the most similar styling, wood species and color available at the time your claim is submitted.

The natural characteristics of wood such as grain patterns, texture and color variations, are not considered product defects. Depending on the finish tone from light to dark, natural characteristics of wood will be enhanced to different degrees. Wood-based materials must be protected against humidity extremes, both high and low, and direct moisture since the wood used in them retains its hygroscopic properties despite the fact that it has been processed. Doors may warp after installation due to variations in humidity levels. Doors may also appear warped if a cabinet has not been installed properly. Doors that are warped must be allowed to hang through one heating cycle or 180 days before a no-charge replacement will be considered. Specialty finishes such as Antique, Distressed and Vintage are purposely created with uneven and inconsistent features to produce an intended "aged" look. These variable features are excluded from warranty.

Third-party parts and accessories such as hinges, drawer glides, lift systems and storage solutions may be covered under the respective manufacturers' warranties.

This warranty is effective Feb 1, 2024, and covers cabinets ordered on or after that date. Cabinets ordered before Feb 1, 2024, are covered by the warranty in effect at the time of purchase. This warranty is only valid in the United States. No representative has any authority to change or enlarge the above warranty or our liability. This warranty gives you specific legal rights. You may also have other rights, which vary from state to state.

CABINET CARE INSTRUCTIONS

Karman products are constructed using the same quality hardwoods and furniture finishes that go into other fine home furnishings. Proper and reasonable care of Karman cabinetry will result in a product that will beautify your surroundings for many years. The following are some suggestions on the care and maintenance of your Karman cabinetry.

Cleaning and Maintaining Real Wood Product

The conversion varnish finish on the hardwoods and veneers may be cleaned with mild soap and water, then wiped dry. To remove stubborn stains, use a mild non-abrasive household cleaner mixed with water. Harsh detergents, exposure to excessive water, cleanser containing ammonia and abrasive pads can damage or discolor finish. Never use your dish rag to clean or dry the cabinets as it contains the remains of grease, detergents and other chemicals that could harm the finish. Do not use wax. It will leave an undesirable residue over time. Lemon oil and non-silicone spray polishes may be used as desired after cleaning, but are not necessary.

Cleaning and Maintaining Laminate Surfaces

Laminate surfaces may be cleaned with mild soap and water, then wiped dry. To remove stubborn stains, a mild non-abrasive household cleanser may be used. Excessive moisture may cause staining, bubbling and delaminating. Polish, oil and grease may cause discoloring and damage to a laminated surface.

SALES AIDS

Because wood products change in color with age, it is recommended that samples be replaced annually.

ITEM	DESCRIPTION	NET PRICE
SDR1414 - Sample Door	(14 ½" x 14 ½")	50
SDR1218 - Sample Door	(12" x 18")	50
SGDR 1420 - Sample Ganged Door & Front 20"H	Door and drawer front ganged together. (14 ½" x 20 ½")	65
SGDR 1224 - Sample Ganged Door & Front 24"H	Door and drawer front ganged together. (12" x 24")	65
SGDR 1424 - Sample Ganged Door & Front 24H	Door and drawer front ganged together. (14 ½" x 24")	65
SWF1522 - Sample Wall Face Frame & Door	Face frame and door with a 1/8" laminate back attached to the face frame. (15" x 22")	102
SBF1522 - Sample Base Face Frame, Door & Front	Face frame, door, and drawer front with a 1/8" laminate back attached to the face frame. (15" x 22")	102
Species/Finish Sample Chip Tray	Red oak, maple, hickory, cherry, alder, and painted samples of all standard finishes.	150
Exotic Species/Finish Sample Chip Tray	¼ -sawn oak, walnut, bamboo, red birch, lyptus, and painted samples of all standard finishes.	150
Single Finish Sample Chip	Price per each.	2
Molding Box	Includes unfinished profile samples of hardwood moldings.	100
Preferred Brochure	(25/pkg)	50
Classic Select™ (Benjamin Moore) Color Fan		50

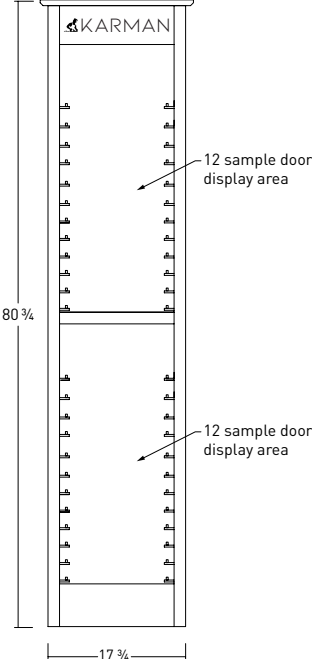
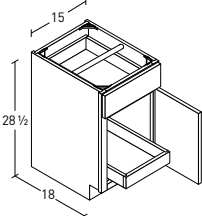
SELLING CENTERS

ITEM	DESCRIPTION	NET PRICE
<p>Selling Center</p>	<p>Selling center samples can be ordered in the species and finish that works best for your market.</p> <p>Ships in three separate units for easy showroom installation.</p> <p>Header/Crown: 59 1/8" x 12 1/2" x 23 1/2" Door unit: 55 1/4" x 38 1/8" x 20 1/2" Base unit: 59" x 36" x 25"</p> <p>The Karman -branded header is a separate crowned wood top.</p> <p>The door unit holds and ships with 36 of our most popular sample doors.</p> <p>One drawer section with standard drawers and one drawer section with Designer drawers.</p> <p>One standard roll -out tray and one Designer roll-out tray are behind the door section.</p> <p>Species/Finish Chip sample tray as well as the Molding sample tray may be ordered for additional charge.</p>	<p>2,500</p>

<p>Selling Center w/ Mini-Base Cabinets</p>	<p>Selling center samples can be ordered in the species and finish that works best for your market.</p> <p>Ships in three separate units for easier showroom installation.</p> <p>Header/Crown: 59 1/8" x 12 1/2" x 23 1/2" Door unit: 55 1/4" x 38 1/8" x 20 1/2" Base unit: 55 1/4" x 36" x 25"</p> <p>The Karman -branded header is a separate crowned wood top.</p> <p>The door unit holds and ships with 36 of our most popular sample doors.</p> <p>Bottom section includes three cavities that accommodate Mini -Base Cabinets.</p> <p>Ships with three Mini -Base Cabinets as shown.</p> <p>Any or all Mini -Base Cabinets may be customized for a flat additional charge of \$375 net.</p>	<p>3,000</p> <p>+375 Net To Customize Mini Bases</p>
--	--	--

- | | | |
|---|--|--|
| Preferred MB15
Mission
Trinity Front
Rustic Alder
Black Antique Glaze | Preferred MB15
Cordova
5-Piece Front
Cherry
Brown Antique Glaze
Salem | Preferred MB15
Coventry
5-Piece Front
Rustic Walnut
Black Antique Glaze
Salem
Flush Inset
Plywood Upgrade
Designer Drawers |
|---|--|--|

AUXILIARY SELLING UNITS

ITEM	DESCRIPTION	NET PRICE
<p>Auxiliary Tower</p> 	<p>Auxiliary Tower is available in the two following configurations to match the corresponding selling center: Selling center samples can be ordered in the species and finish that works best for your market.</p> <p>17 3/4" x 80 3/4" x 20 1/2"</p> <p>Ships with hardware installed to hold 24 doors. Doors are not included and must be ordered separately.</p>	475
<p>Mini-Base Cabinet - MB15</p> 	<p>Includes roll-out tray, finished end on left, wainscot end on right, and carrying handle.</p> <p>Available in your choice of door style, Species, and finish.</p>	375

ONLINE FORMS

The following forms and documents are available on the Cabinetry by Karman dealer portal.

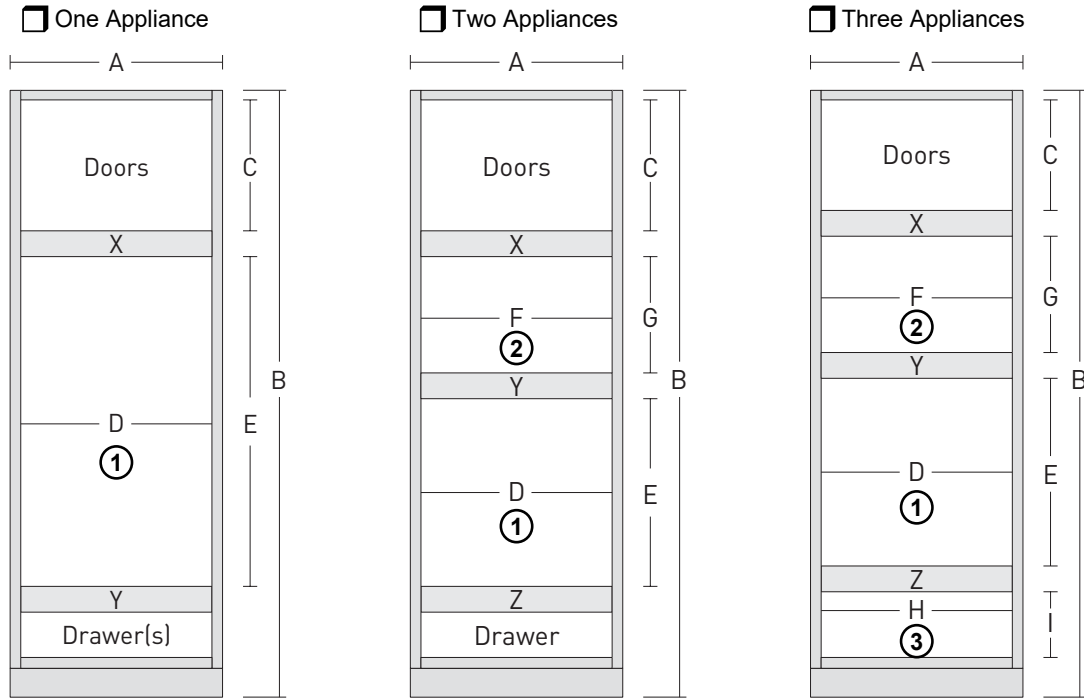
Order Forms	Co-Op	Agreement of Understanding Forms
Karman Order Form Order	Co-Op Claim Form	Agreement of Understanding
Continuation Form	Co-Op Program FAQs	Hickory Agreement of Understanding Hickory
Warranty Order Form	Custom	Blanket Agreement of Understanding Miter
	Custom Advantage Quote Request	Agreement of Understanding
Appliance Panel Forms	Custom Project Quote Request	Miter Blanket Agreement of Understanding
Refrigeration Front Panels-Door Only	Custom Finish Request	Painted Agreement of Understanding Painted
Refrigeration Front Panels-Framed Style	Classic Select Paint Request	Blanket Agreement of Understanding
Refrigeration Front Panels-Overlay Style	Certificates	
	KCMA Certification	
	ESP Certificate	

M-OCO Worksheet
Custom Oven Cutout

Date: _____

Dealer Name: _____	Phone: _____
Request By: _____	Fax: _____
PO or Ref # or Job Name: _____	

1. Select Frame Layout



2. Specify Cutout Dimensions

Overall: A: _____ Wide B: _____ High Notes: _____

Top Opening: C: _____ High _____

1. Oven Opening: D: _____ Wide E: _____ High _____

2. Microwave Opening: F: _____ Wide G: _____ High _____

3. Bottom or Warming Drawer: H: _____ Wide I: _____ High _____

Middle Rail Widths: X: _____ Y: _____ Z: _____

3. Appliance Information

1. Manufacturer: _____ Model #: _____

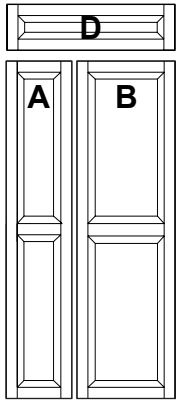
2. Manufacturer: _____ Model #: _____

3. Manufacturer: _____ Model #: _____

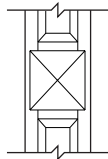
Date: _____

Dealer Name:	Phone:
Request By:	Fax:
PO or Ref # or Job Name:	

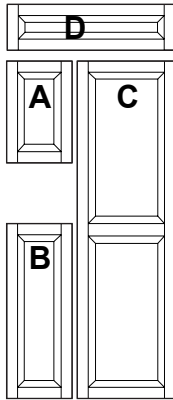
1. Refrigerator Style



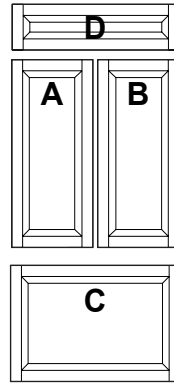
Side-by-Side



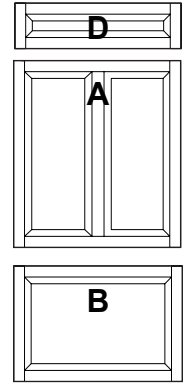
Optional Dispenser Cut-out on Panel A
 Width _____
 Height _____



Side-by-Side w/ Dispenser



French Door



Bottom Freezer

2. Door Panel Dimensions

A. Width: _____ Height: _____

B. Width: _____ Height: _____

C. Width: _____ Height: _____

D. Width: _____ Height: _____

3. Refrigerator Specifications

Manufacturer: _____

Model #: _____

4. Special Instructions

Must be Submitted with Order to Receive "Customer-Supplied Worksheet" Pricing

KARMAN

RFP-FS Worksheet

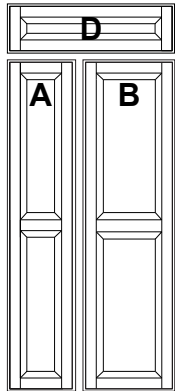
Refrigerator Front Panels - Framed Style

Page ___ of ___

Date: _____

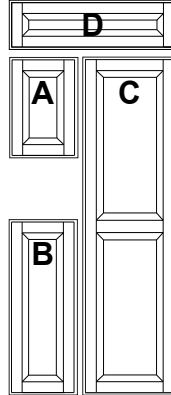
Dealer Name: _____	Phone: _____
Request By: _____	Fax: _____
PO or Ref # or Job Name: _____	

1. Refrigerator Style

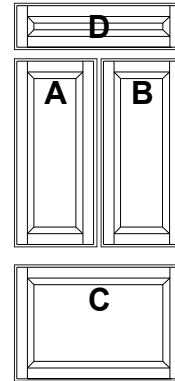


Optional Dispenser Cut-out on Panel A
 Width _____
 Height _____

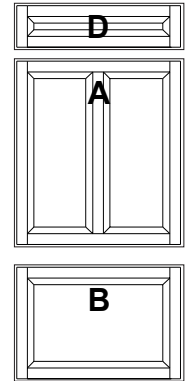
Side-by-Side



Side-by-Side w/ Dispenser



French Door



Bottom Freezer

2. Panel Dimensions

Backer Panel Dimensions

A. Width: _____ Height: _____
 B. Width: _____ Height: _____
 C. Width: _____ Height: _____
 D. Width: _____ Height: _____

Door Panel Dimensions

A. Width: _____ Height: _____
 B. Width: _____ Height: _____
 C. Width: _____ Height: _____
 D. Width: _____ Height: _____

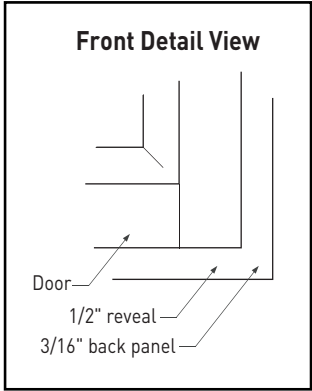
Reveal _____ All the same
 If different, specify below
 A. Left: _____ Right: _____
 Top: _____ Bottom: _____
 B. Left: _____ Right: _____
 Top: _____ Bottom: _____
 C. Left: _____ Right: _____
 Top: _____ Bottom: _____
 D. Left: _____ Right: _____
 Top: _____ Bottom: _____

3. Refrigerator Specifications

Manufacturer: _____

Model #: _____

4. Special Instructions

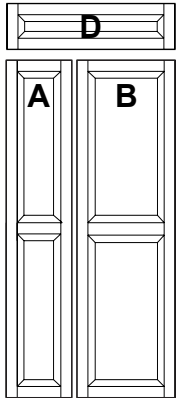


Must be Submitted with Order to Receive "Customer-Supplied Worksheet" Pricing

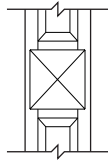
Date: _____

Dealer Name:	Phone:
Request By:	Fax:
PO or Ref # or Job Name:	

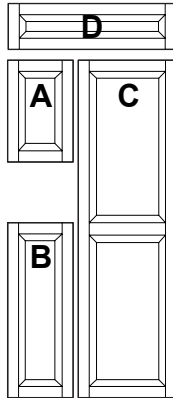
1. Refrigerator Style



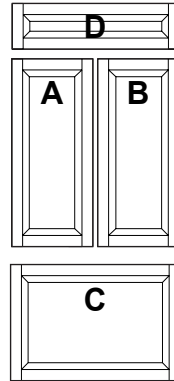
Side-by-Side



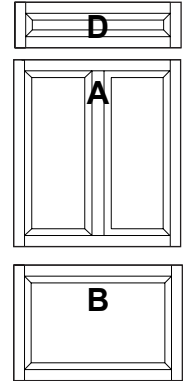
Optional Dispenser Cut-out on Panel A
Width _____
Height _____



Side-by-side w/ dispenser



French Door



Bottom Freezer

2. Panel Dimensions

Backer Panel Dimensions

A. Width: _____ Height: _____
 B. Width: _____ Height: _____
 C. Width: _____ Height: _____
 D. Width: _____ Height: _____

Door Panel Dimensions

A. Width: _____ Height: _____
 B. Width: _____ Height: _____
 C. Width: _____ Height: _____
 D. Width: _____ Height: _____

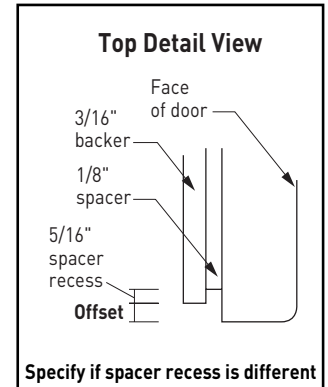
Offset _____ All the same
 If different, specify below
 A. Left: _____ Right: _____
 Top: _____ Bottom: _____
 B. Left: _____ Right: _____
 Top: _____ Bottom: _____
 C. Left: _____ Right: _____
 Top: _____ Bottom: _____
 D. Left: _____ Right: _____
 Top: _____ Bottom: _____

3. Refrigerator Specifications

Manufacturer: _____

Model #: _____

4. Special Instructions



Must be Submitted with Order to Receive "Customer-Supplied Worksheet" Pricing

KARMAN

CLASSIC SELECT PAINT REQUEST

Order Date:

Use this form as a cover sheet for all Classic Select orders you submit.

Dealer Name:	Ship Via:
Ordered By:	Ship To:
PO or Ref # or Job Name:	
Phone:	
Fax:	Job Site Phone:

Finish & Sample Information: (Provide Details of Color, Paint #, Enhancements, etc.)

Description of Finish:

Door Style: Wood Species: Paint Grade (0%) Oak (0%) Maple (7%)

Color Chip Information (Use Benjamin Moore "Classic Colors" Fan Deck ONLY). Chip Name: Chip #:

Process & Instructions:

Approval Process:

- Email this **Classic Select Paint Request** form to customerservice@cabinetrybykarman.com or fax to 1-888-281-6406.
- Include the chip name and number from the Benjamin Moore "Classic Colors" fan deck. No other deck is used for this program.
- Your signature is required below to acknowledge the \$250 Net non-refundable color sample fee. This fee will be immediately charged to your account. Any subsequent samples required will be charged an additional \$250 Net. One (1) \$250 charge will be credited to your account upon receipt of a complete kitchen order of 12 cabinets or more.
- We use a standard sheen on paints and clear coats of ~#20. Sheen variations are not possible.

Sample & Order Process:

- Karman will finish two (2) door samples. Lead times to produce the samples will be a minimum of 10 working days. Normal kitchen lead times will apply.
- One (1) sample will be sent to the "Ship To" address listed above. Samples will be shipped UPS Ground. (Overnight shipping is available on request; cost to be charged to the dealer). The other sample will be retained by Karman.
- The dealer should have their customer indicate approval of the sample by signing the back. The sample is to be retained by the dealer for future reference. Karman's retained door sample will be used to assure the kitchen order's color accuracy.
- Submit your order through the normal process, including a copy of this completed Classic Select Request form with the Order form.
- Miscellaneous and add-on orders may be placed with Karman up to one (1) year of the original custom finish request.

Guidelines:

- 30% upcharge applies for this custom paint process, whereas the premium for the standard Karman Paint colors is 18%.
- Add the applicable Wood Species premium.
- Add for any Finish Enhancement premiums such as highlighting, antiquing, distressing, etc.

Please Note: Color swatches are produced on paper using printed inks. These printed swatches can vary from batch to batch. Please be aware that there may be a slight variance from the physical color swatch in your possession and the color sample we prepare. These slight variations are a part of this process and to be accepted. Your sample will be prepared using the color formulation from the paint manufacturer.

Customer Signature: _____

Date: _____

KARMAN www.cabinetrybykarman.com

KARMAN

CUSTOM FINISH REQUEST FORM

Use this form as a coversheet for all Custom Finish orders you submit.

Order
Date:

Dealer Name:	Ship Via:
Ordered By:	Ship To:
PO or Ref # or Job Name:	
Phone:	
Fax:	Job Site Phone:

Finish & Sample Information: (Provide Details of Color, Paint #, Enhancements, etc.)

Description of Finish:

Door Style:

Wood Species:

Sample Sent Via:

 UPS FedEx Delivered to Karman

Date Sent:

Process & Instructions:**Approval Process:**

- Email this **Custom Finish Request** form to customerservice@cabinetrybykarman.com or fax to 1-888-281-6406.
- Send a sample of the requested color to Cabinetry by Karman; attention, Customer Service, at the address listed above.
- Include a copy of this request. Minimum sample size is 10" x 10", and will be returned upon request with no guarantee of condition.
- Your signature is required below to acknowledge the \$250 NET non-refundable color sample fee. This fee will be immediately charged to your account. Any subsequent samples required will be charged an additional \$250 Net. One (1) \$250 charge will be credited to your account upon receipt of a complete kitchen order of 12 cabinets or more.
- If you desire to replicate a custom finish that is a multi-step finish from another supplier (ie. stain or paint with glaze, rub-through, etc.), we require that you provide that finished sample plus an additional sample with no added effects from which we can produce our base color replication.
- If we are replicating a distressed sample, we will use our closest standard distressing. This may, or may not result in a color match/look that is acceptable to the customer.
- We use a standard sheen on paints and clear coats of ~#10. Sheen variations are not possible.

Sample & Order Process:

- Karman will finish two (2) door samples. Lead times to produce the samples will be a minimum of 10-15 working days. Normal kitchen lead times will be increased by five (5) working days.
- One (1) sample will be sent to the "Ship To" address listed above. Samples will be shipped UPS Ground. (Overnight shipping is available on request; cost to be charged to the dealer). The other sample will be retained by Karman.
- The dealer should have their customer indicate approval of the sample by signing the back. The sample is to be retained by the dealer for future reference. Karman's retained door sample will be used to assure the kitchen order's color accuracy.
- Submit your order through the normal process, including a copy of this completed Custom Finish Request form with the Order form cover sheet when grouped with other cabinets in the same order. Custom Finish requests expire in 90 days.
- Miscellaneous and add-on orders may be placed with Karman up to one (1) year of the original custom finish request.

Guidelines:

- Typical cost will be a 17% finish upcharge on top of standard finishing premiums, with a minimum charge of \$480 Net. Example: a custom paint color (non-Classic Select) would be 35% upcharge instead of the normal 18% (assuming additional 17% premium exceeds the \$480 Net minimum).
- Add applicable Wood Species and Finish Enhancements premiums such as highlighting, antiquing, distressing, etc.
- Please be advised that orders will be individually assessed to determine an exact upcharge if the typical 17% finish upcharge needs to be adjusted upon receipt of your supplied sample.

Customer Signature:

Date:

KARMAN www.cabinetrybykarman.com

PREFERRED BY KARMAN

PRODUCT, SPECIES & FINISH SPECIFICATIONS SECTION 3

Index

CONSTRUCTION SPECIFICATIONS

Preferred Series Construction Specifications ----- 3-1

WOOD SPECIES CHARACTERISTICS

Alder	3-2
Bamboo ◇	3-3
Cherry	3-3
General Wood Characteristics	3-2
Hickory	3-2
Lyptus ◇	3-3
Maple	3-3
Paint Grade	3-2
Quarter Sawn White Oak	3-3
Red Birch ◇	3-3
Red Oak	3-2
Walnut	3-3

FINISH UPGRADES

Antique Glaze	3-4
Bisque ◇	3-4
Brush Stroke -Heavy or Light ◇	3-5
Classic Select™ Paint Program	3-6
Custom Finish™ Program ●	3-6
Distressed	3-5
Highlight Glaze	3-4
Old World ◇	3-5
Painted Finish Upgrade	3-4
Pencil Edge Sanding	3-5
Primed Only Upgrade	3-6
Unfinished	3-6
Vintage Paints	3-4

CONSTRUCTION DETAIL DRAWINGS

45° Corner Installation Dimensions	3-8
Base End View	3-10
Cabinet Height Chart	3-7
Pantry End View	3-13
Utility Drawer End View	3-12
Utility End View	3-11
Vanity End View	3-14
Wall End View	3-9

PREFERRED SERIES CONSTRUCTION SPECIFICATIONS

ITEM	DESCRIPTION
Face Frames	¾" solid hardwood. Glued and screwed construction.
Doors	Standard Overlay: 1" reveal on top, bottom and sides. ½" reveal between door and drawer. Full Overlay Bases: ½" reveal on top and bottom. ½" reveal between door and drawer. ¼" reveal on sides. Full Overlay Walls/Talls: 1" reveal on top. ½" reveal on bottom. ½" reveal between door and drawer. ¼" reveal on sides. Doors that are 42" or taller come as two panel doors. A door over 42" may be requested as single panel, but will not be warrantied.
Cabinet Ends	½" industrial grade furniture core laminated interior and exterior with maple grain
Cabinet Tops & Bottoms	½" industrial grade furniture core laminated interior and exterior with maple grain.
Cabinet Backs	½" industrial grade furniture core laminated interior maple grain.
Shelves	¾" industrial grade furniture core laminated to match interior, with matching edge -banding on front edge. Base & wall cabinet shelves are laminated both sides and are fully adjustable.
Hinges	Fully concealed cup -hinge, six -way adjustable, self -closing, integrated soft -close.
Drawer Box Construction	Four-sided 5⁄8" solid wood finished natural. Sides, back and sub-front are dovetail jointed, glued and stapled. The ¼" bottom is dado -jointed into all four drawer sides.
Drawer Guide	Full extension undermount, self -closing, soft -close with synthetic rollers. Rated at 100 lb. capacity.
Toe Kick	½" unfinished industrial grade furniture core. Recessed 3 3⁄8" deep and 4 ½" high.
Finish	Durable catalyzed conversion varnish.
Upgrade to Plywood	Ends, tops, bottoms, backs, and shelves upgraded to all plywood with natural wood veneer interior.

Species upgrade premiums apply to cabinetry, moldings, panels, and wood hoods. Finish upgrade premiums do not apply to modifications and accessories. Any finish and construction premiums will also apply.

GENERAL WOOD CHARACTERISTICS

Natural hardwood products are never as uniform as plastic laminate or wallpaper. Solid hardwood products, like other natural products, are shaped by natural forces and may display a variety of character markings and colors. Each wood Species has unique features such as density, colors and grain patterns. Color variation is influenced by moisture, exposure to sunlight and mineral content of the soil. Grain patterns are affected by changes in climate, growth rate, damage, as well as soil conditions. Different saw cuts also help determine the grain pattern and color. All woods change color over time and the change varies depending on species, exposure to natural light and the amount and color of finish applied, among other things. All of these variations contribute to the uniqueness of the beauty and essence of natural wood. Before making a final selection of what type of wood species and finish you prefer, we recommend you view the largest sample available in order to understand all of the features a wood species may offer.

RUSTICS

"Rustic" grade has been developed to provide our customers with a material that allows knots and other sound defects. The knots will be of varying size, depth and possible see-through. This material will allow all of the natural characteristics of the wood, worm holes, mineral marks, and any other sound characteristics that may be present in the wood. This product does go through a selection process, but will not be matched for color and may have both sapwood and heartwood present in varying amounts.

PAINT GRADE

Paint Grade is selected for smooth grain patterns and very carefully dried so as to minimize shrinkage after the cabinets are finished. The customer should be aware that joints in doors may shrink causing cracks in the finish. Additionally, the customer should be informed and willing to accept touch up of minor chips and paint defects. Although the wood is selected for smoothness, grain patterns and joints may telegraph through the finish.

No upcharge

Hybrid center panels will be used in all raised or flat center panel designs. Hybrid center panels have been tested extensively in the market, and have proven to be effective in providing a more durable and superior looking painted product. The machining on hybrid MDF panel profiles is just as precise and clean cut as with solid wood panels. The Hybrid MDF panel provides a more stable product that does not expand and contract like a standard solid wood center panel. The elimination of center panel shrinking virtually eliminates raw wood showing along the outside of the center panel as the seasons pass. Eliminating expansion of the center panel also helps to reduce hairline cracks that may develop in the mortise and tenon joint of the door framing.

RED OAK

Oak is a hard, heavy wood which results in great wear resistance. Color ranges from white to light brown to a pinkish reddish brown. However, oak has a generally consistent color that makes it a good choice for cabinetry. This wood may contain mineral streaks and some pin knots. The grain characteristics range from straight to irregular.

No upcharge

HICKORY

Hickory is a very hard, very heavy and dense hardwood which demonstrates extreme variations in color from nearly white to dark brown. Grain patterns can be bold and prominent with irregular characteristics that are associated with tree growth. Burls, water stains, mineral streaks and sound knots are typical and are not considered defects. We recommend this beautiful wood to be sold in natural or other lighter finishes.

**7% premium
on cabinetry,
moldings, panels,
and wood hoods**

ALDER

Alder is extremely soft hardwood of medium density. Colors range from light brown with a yellow tinge to light brown with a reddish tinge. Alder is fairly straight grained with a uniform texture. This wood may have pin knots and mineral streaks. Mineral streaks and other natural variations help create the personality of this product.

**7% premium
on cabinetry,
moldings, panels,
and wood hoods**

- » **Alder Veneer:** Veneer staves vary in width and color. The overall appearance may be striped. Veneer color ranges from white to red. Knots will vary in size. Closed knots are acceptable in a "clear" panel.
- » **Alder Hardwood:** Closed knots will be inherent within "clear" products. Alder hardwood is an extremely "soft" wood and will not be warranted for dings or scratches which may occur under normal handling conditions such as transportation, installations or use. Cabinetry by Karman will put forth great efforts to produce a consistent kitchen.

Species upgrade premiums apply to cabinetry, moldings, panels, and wood hoods. Finish upgrade premiums do not apply to modifications and accessories. Any finish and construction premiums will also apply.

MAPLE

Maple is hard and heavy with good strength properties, in particular it's high resistance to abrasion and wear. The raw wood color ranges from near white to a dark reddish brown. The wood has a close fine texture and is generally straight grained. Maple tends to change to a yellow or orange color over time. Common characteristics include mineral streaks and pin knots. Any painted cabinetry ordered in Hard Maple will receive solid wood center panels and will not be constructed using hybrid technology. We recommend this beautiful wood to be sold in natural or other lighter finishes.

**7% premium
on cabinetry,
moldings, panels,
and wood hoods**

CHERRY

Cherry is considered a medium density wood with moderate weight and strength. The heartwood of cherry ranges from light to dark reddish brown while the sapwood may be near white. The heartwood darkens with age and light exposure, this change can be dramatic. Cherry has a fine and uniform grain pattern with a smooth texture. Acceptable characteristics include brown flecks, natural gum pockets, mineral streaks and pin knots. Replacements and additions may not match original color but could approximate color over time. Sapwood and other natural color variations will further enhance the characteristics of this product. Because knots are smaller and rare, we recommend this beautiful wood to be sold in natural or other lighter finishes.

**15% premium
on cabinetry,
moldings, panels,
and wood hoods**

QUARTER SAWN WHITE OAK

Quarter Sawn White Oak is cut radially (90-degree angle from the growth rings) instead of with the grain, and produces vertical and uniform grain lines that are straight, tight and run the length of the board, sometimes creating prominent ray flecks. Structural benefits include that it reduces twisting, warping and cupping, holds finishes better, and does not allow liquids to readily pass through it.

**40% premium
on cabinetry,
moldings, panels,
and wood hoods**

WALNUT

Walnut is an exceptionally beautiful and stable hardwood whose traits are strongly defined throughout the history of woodworking. Grain patterns range from straight to varied; providing striking depth when finished in natural tones. This species' coloration fluctuates from dark brown to a purplish black. Occasionally, portions of the wood may exhibit light brown streaks. Rustic Walnut has larger open knots of various sizes; which, when combined with the wood's natural color fluctuations, provide an elegantly timeless look.

**40% premium
on cabinetry,
moldings, panels,
and wood hoods**

BAMBOO

Lead times will be increased by 10 working days

Bamboo is the fastest growing plant on Earth, and is harvested ensuring the health and vitality of the plant for future harvests, without negative impact on our environment. Though there are many types of bamboo material, Karman utilizes a multi-layered flat grain that creates a very desirable look in cabinetry. As an environmental bonus, our flat grain material utilizes a non-urea formaldehyde glue to bond the multiple layers of bamboo. All bamboo parts come caramelized. Caramelizing is the process of pressure-heating the bamboo slats to "brown" the sugar compounds naturally present in the plant, without using stains or dyes.

**40% premium
on cabinetry,
moldings, panels,
and wood hoods**

RED BIRCH

Lead times will be increased by 10 working days

A Species derived from the center heartwood of the great birch trees. It typically has a beautiful pink-to-reddish brown color with an exceptionally beautiful iridescent appearance in the grain pattern that is best captured with a natural finish. Some darker finishes can cause grains to absorb stain pigments and take on a blotchy appearance, which is considered desirable by some and less desirable by others.

**40% premium
on cabinetry,
moldings, panels,
and wood hoods**

LYPTUS

Lead times will be increased by 10 working days

Lyptus is considered a renewable resource and a sustainable Species. It is a hybrid of two varieties of Eucalyptus that reaches maturity in an average of fifteen years. The wood typically has a natural red undertone which deepens and darkens brown toned stains for a beautiful look. This Species is valued for its mahogany-like grain appearance.

**40% premium
on cabinetry,
moldings, panels,
and wood hoods**

Finish upgrade premiums apply to cabinetry, moldings, panels, and wood hoods. Finish upgrade premiums do not apply to modifications and accessories. Any Species, finish, and construction premiums will also apply. We recommend that a door sample be ordered for any customer interested in any finish enhancement.

PAINTED FINISH UPGRADE

- » Painted Finish Upgrade is available only on Paint Grade and Oak, which have no additional Species cost, and on Maple with the standard 7% Species cost.
- » An Agreement of Understanding signed by your customer is **required** prior to your cabinet order being confirmed. Due to this "painted finish", Cabinetry by Karman makes no warranty regarding the possibility of separation or cracks in the finish at the joint lines.
- » See door style page for availability and see wood Species characteristics for hybrid technology information.

**18% premium
on cabinetry,
moldings, panels,
and wood hoods**

VINTAGE PAINTS

- » Available on Alder and on any paint finish color.
- » After the painted finish is applied, sanding through the paint exposes wood to simulate natural wear over years of use. A low sheen top coat is the final step in creating this beautiful furniture look. The Vintage features are random and will not appear exactly the same on each cabinet.
- » Not all products can receive the Vintage enhancement; products noted "Not available in Vintage" will come painted only.
- » The Vintage premium is in addition to the paint finish premium.

**15% premium
on cabinetry,
moldings, panels,
and wood hoods**

BISQUE

Lead times will be increased by 10 working days

- » Available on Alder and on any paint finish color. Recommended on lighter paint finishes.
- » Bisque features a special brown glaze and slight sand -thru.
- » The Bisque premium is in addition to the paint finish premium.

**15% premium
on cabinetry,
moldings, panels,
and wood hoods**

HIGHLIGHT GLAZE

- » Available in White, Pewter, Black, and Brown.
- » This hand-applied technique highlights only the details crafted in the product with a thin line without changing the color of the overall finish. Some variation in the amount of highlight is inherent in this finish. All doors, drawer fronts, and miscellaneous items are hand -worked to produce the finest product.
- » Although each order is inspected to insure an overall consistency, variation is not considered a defect.

**8% premium
on cabinetry,
moldings, panels,
and wood hoods**

ANTIQUE GLAZE

- » Available in White, Pewter, Black, and Brown.
- » This finish gives hardwood a more definitive and prominent aged appearance with glaze lingering in the open grain and the detail of the doors and drawer heads. Glaze is a waterborne wipe with a colored pigment. This process will change the color of the underlying finish. All doors, drawer fronts, and miscellaneous items are hand -worked to produce the finest product.
- » Some variation in the amount of glaze on each door is inherent in this finish. Although each order is inspected to insure an overall consistency, variation is not considered a defect.

**15% premium
on cabinetry,
moldings, panels,
and wood hoods**

Finish upgrade premiums apply to cabinetry, moldings, panels, and wood hoods. Finish upgrade premiums do not apply to modifications and accessories. Any Species, finish, and construction premiums will also apply. We recommend that a door sample be ordered for any customer interested in any finish enhancement.

OLD WORLD

Lead times will be increased by 10 working days

- » Available on all stain colors on all wood species.
- » The Old World enhancement offers the most extreme distressed look with blackened details and the heaviest black glaze to provide a worn and aged look.

**40% premium
on cabinetry,
moldings, panels,
and wood hoods**

BRUSH STROKE - HEAVY OR LIGHT

Lead times will be increased by 10 working days

- » **Light Brush Stroke is available only on Glacier, Solitude, Super White, and White Dove paint finishes.**
- » **Heavy Brush Stroke is available on all painted finishes except Midnight.**
- » Simulated brush stroking is achieved using precise sanding techniques prior to glazing. The base color will be significantly altered when the glaze is added. Karman strongly recommends that a door sample be obtained before placing an entire order. Grain direction of the door and drawer front elements will be maintained by the brush strokes. The brush strokes will either stop short of or overlap the frame joints on both mortise and tenon and mitered door styles to create an imperfect, yet authentic appearance.
- » Variation is an inherent feature of the brush stroke finish. Although each order is inspected to insure an overall consistency, variation is not considered a defect.

**20% premium
on cabinetry,
moldings, panels,
and wood hoods**

DISTRESSED

- » Distressing is available on all wood species on most door styles.
- » The distressed finish will display a variety of random dents, nicks, cut marks, worm -holing, rasp marks, cracks, bird pecking, and sanded or uneven edges. It is a beautiful enhancement that produces an aged look. Distressing will occur on doors, moldings, finished ends, and interiors.
- » Distressing is a hand -done process, produced in one level of intensity. It is not possible to order varying levels of distressing or remove certain random effects from the process. It is highly recommended that a door sample be ordered and present for approval prior to placing final order.

**5% premium
on cabinetry,
moldings, panels,
and wood hoods**

PENCIL EDGE SANDING

- » Pencil Edge Sanding is a handsome, yet subtle effect available on all painted finishes.
- » The paint on the outside edges, top edges of inside bead and top edges of the panel raise, if present, is sanded off in a thin, straight line. Natural wood grain color will show through. This effect will be more noticeable on darker colors and more subtle on lighter colors.

**8% premium
on cabinetry,
moldings, panels,
and wood hoods**

Finish upgrade premiums apply to cabinetry, moldings, panels, and wood hoods. Finish upgrade premiums do not apply to modifications and accessories. Any Species, finish, and construction premiums will also apply. We recommend that a door sample be ordered for any customer interested in any finish enhancement.

PRIMED ONLY UPGRADE

- » Primed Only Upgrade is available only on Paint Grade and Oak, which have no additional Species cost, and on Maple with the standard 7% Species cost.
- » Karman does not warranty cabinets with Primed Only Upgrade.

**10% premium
on cabinetry,
moldings, panels,
and wood hoods**

UNFINISHED

- » Any wood Species may be ordered unfinished.
- » Karman does not warranty unfinished cabinets.

No upcharge

CLASSIC SELECT™ PAINT PROGRAM

- » Use the Classic Select program to choose from over 1800 different paint options almost certain to meet your paint needs.
- » See the Classic Select Paint Request Form in the General Information section for more details. Order your Benjamin Moore color selector fan through Customer Service.

**30% premium
on cabinetry,
moldings, panels,
and wood hoods**

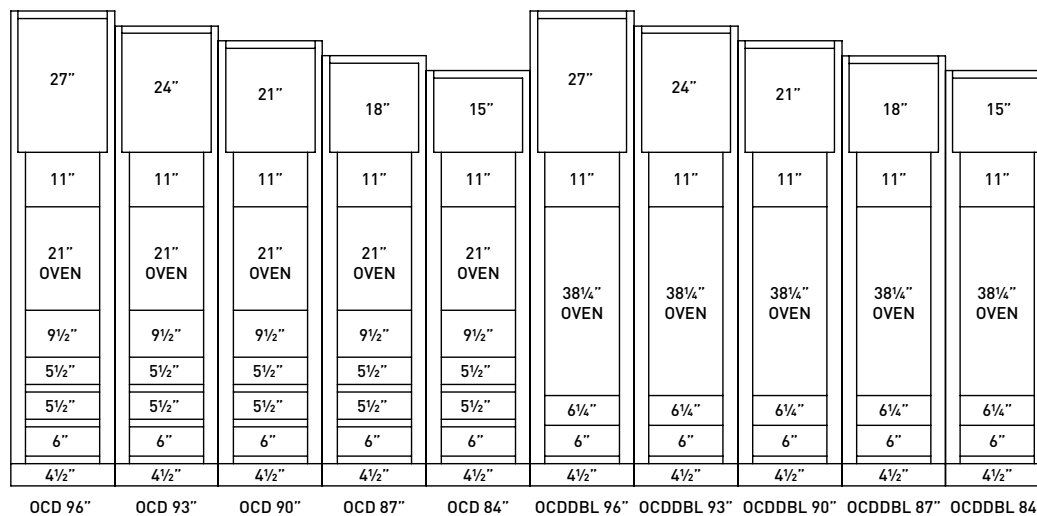
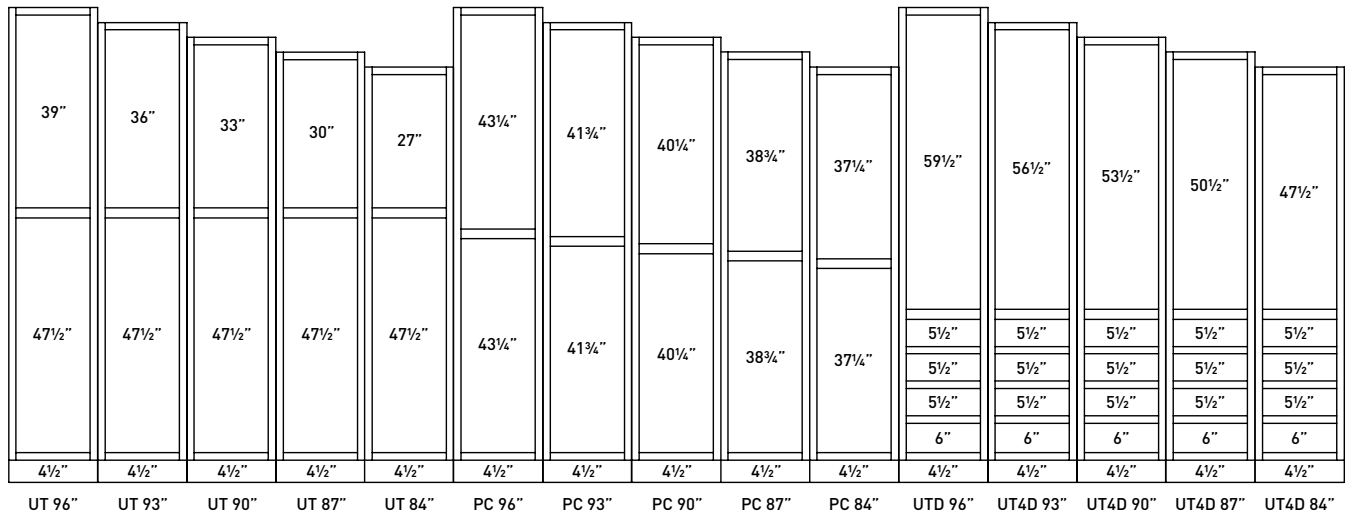
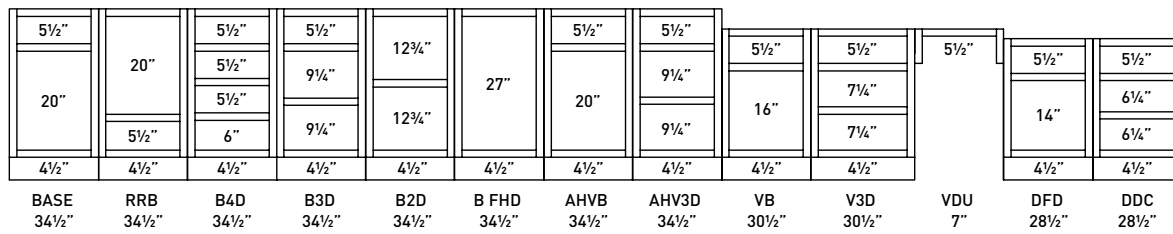
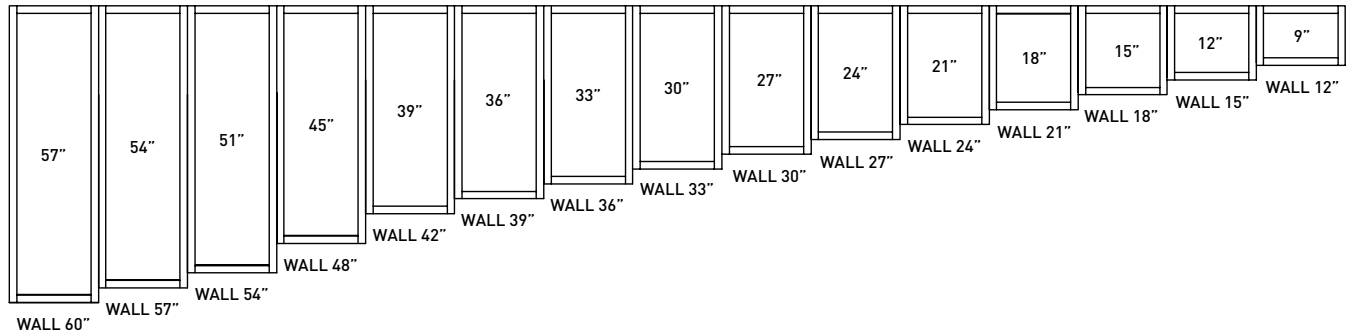
CUSTOM FINISH™ PROGRAM

Lead times will be increased by 10 working days

- » Use the Custom Finish program to request a paint, stain or custom finish we might not already offer.
- » See the Custom Finish Request Form in the General Information section for more details.

**Additional premium
of 17% on top of
standard finish
premium depending
on the specifics of the
custom finish**

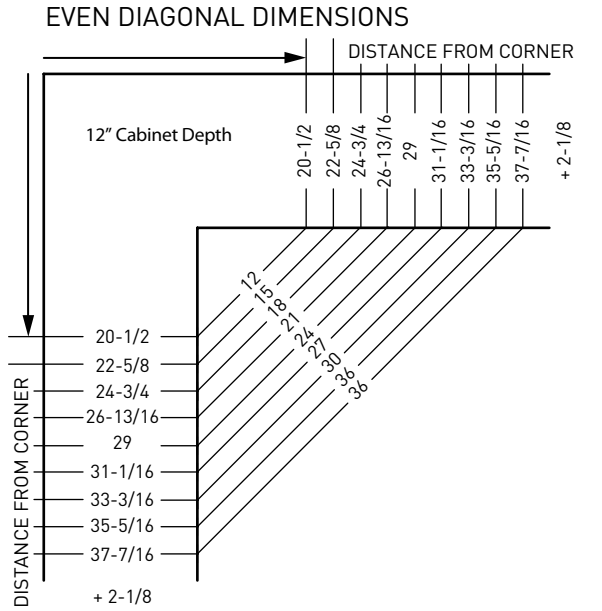
CABINET HEIGHT CHART



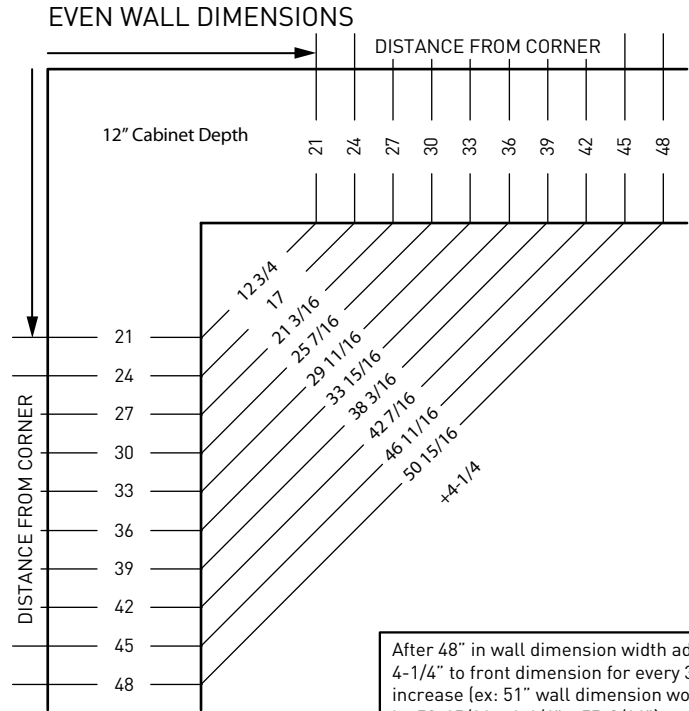
*Use Modify Frame Layout (Pg.12-9) to change standard door/drawer front configurations.

45° CORNER INSTALLATION DIMENSIONS

Wall Cabinets

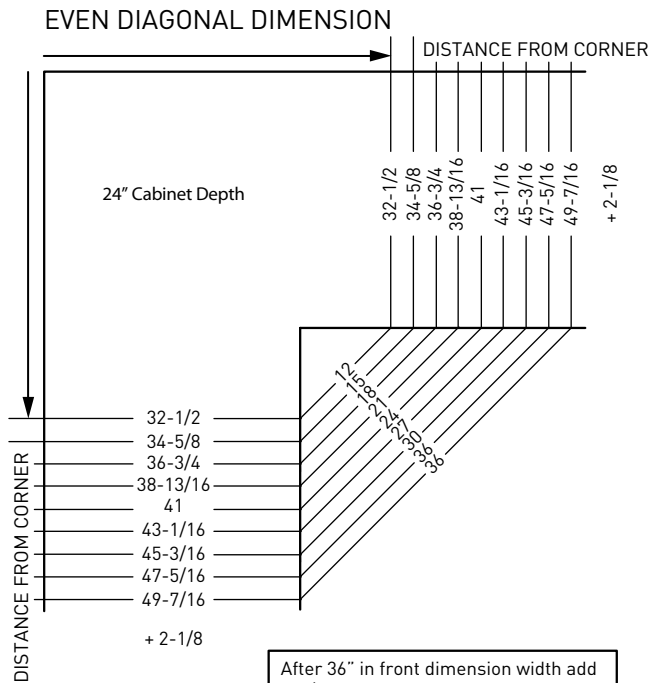


After 36" in front dimension width add 2-1/8" to wall dimension for every 3" increase (ex: 39" cabinet front would be $37-7/16 + 2-1/8" = 39-9/16"$).

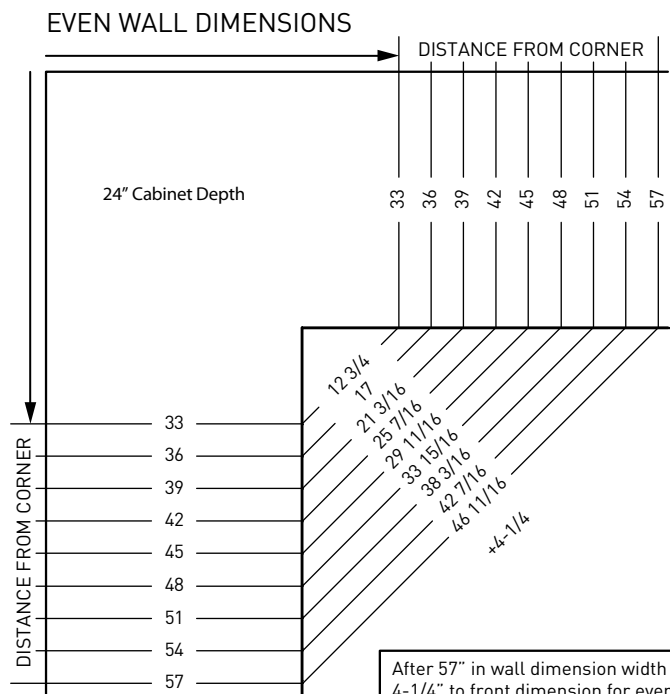


After 48" in wall dimension width add 4-1/4" to front dimension for every 3" increase (ex: 51" wall dimension would be $50-15/16 + 4-1/4" = 55-3/16"$).

Base Cabinets

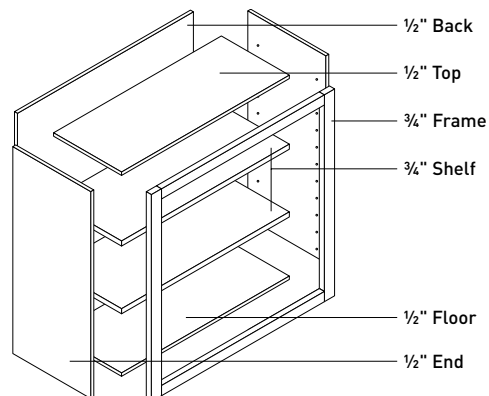
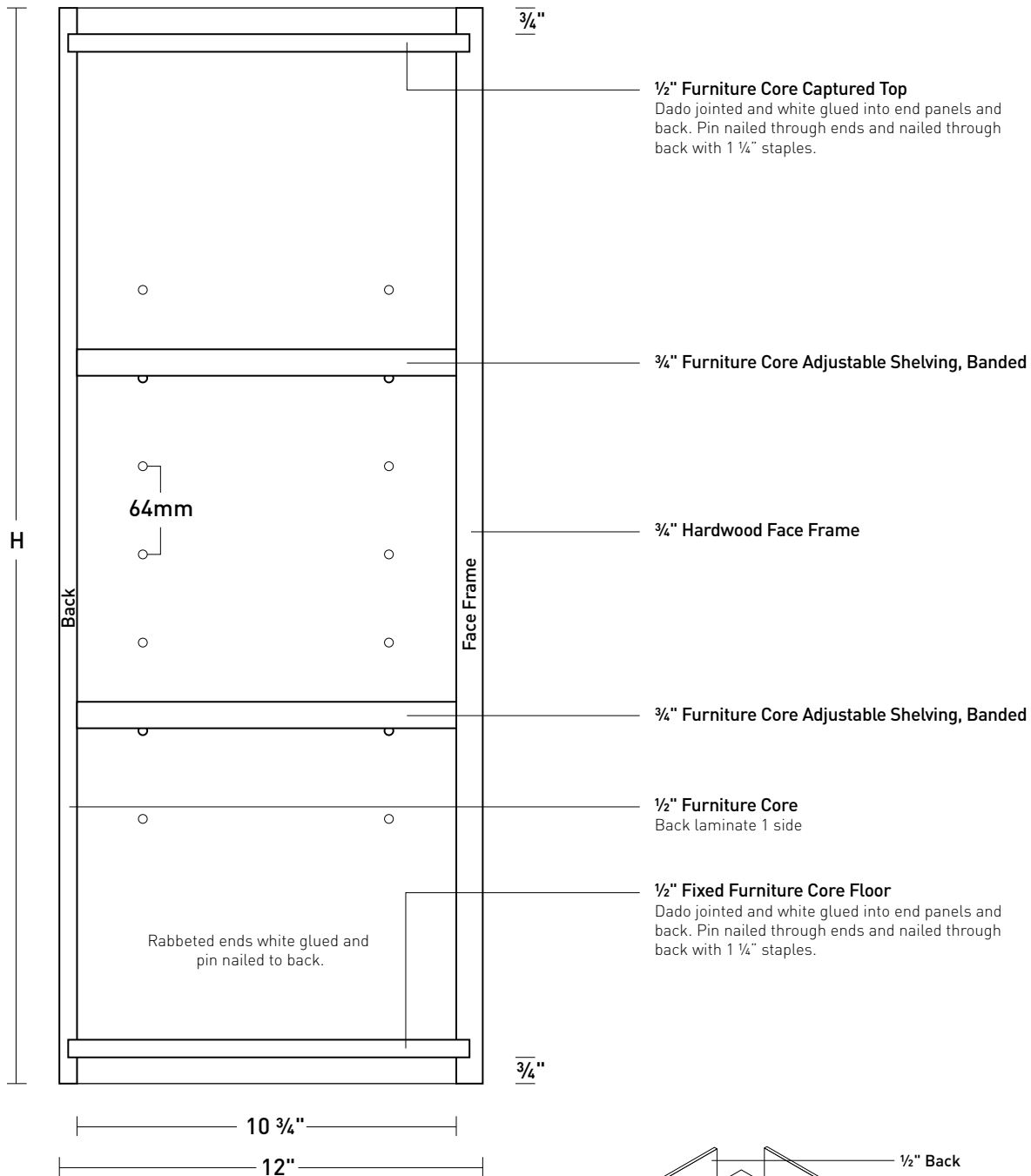


After 36" in front dimension width add 2-1/8" to wall dimension for every 3" increase (ex: 39" cabinet front would be $49-7/16 + 2-1/8" = 51-9/16"$).

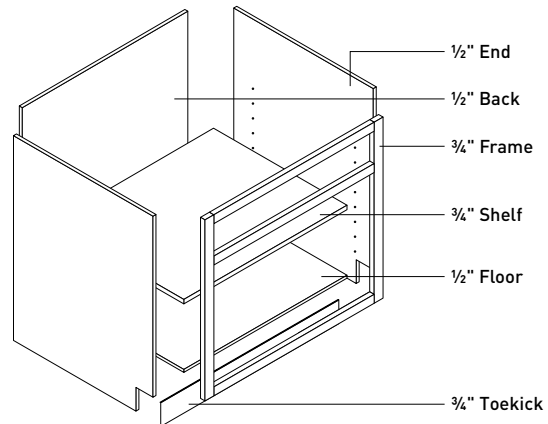
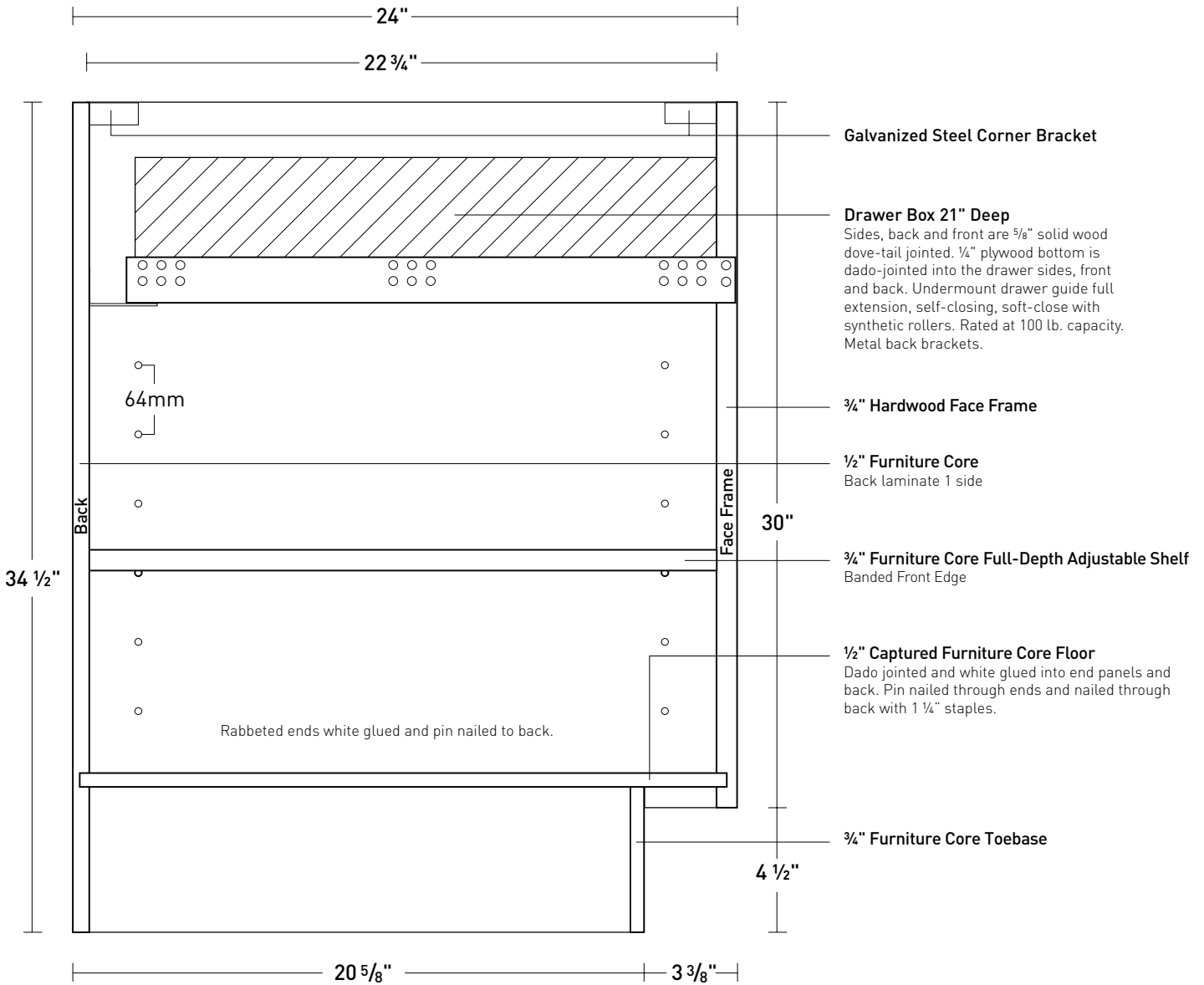


After 57" in wall dimension width add 4-1/4" to front dimension for every 3" increase (ex: 51" wall dimension would be $46-11/16 + 4-1/4" = 50-15/16"$).

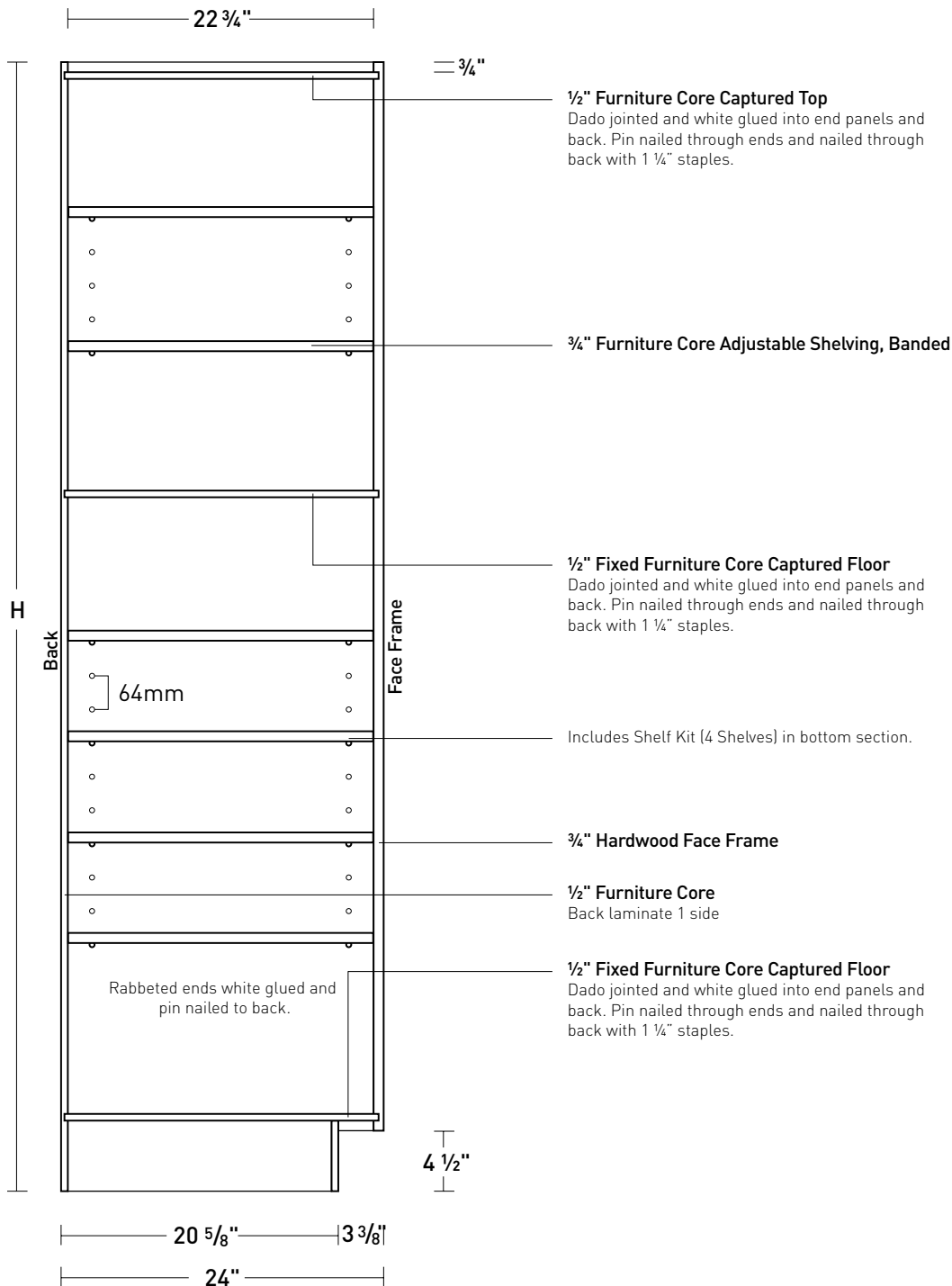
WALL END VIEW



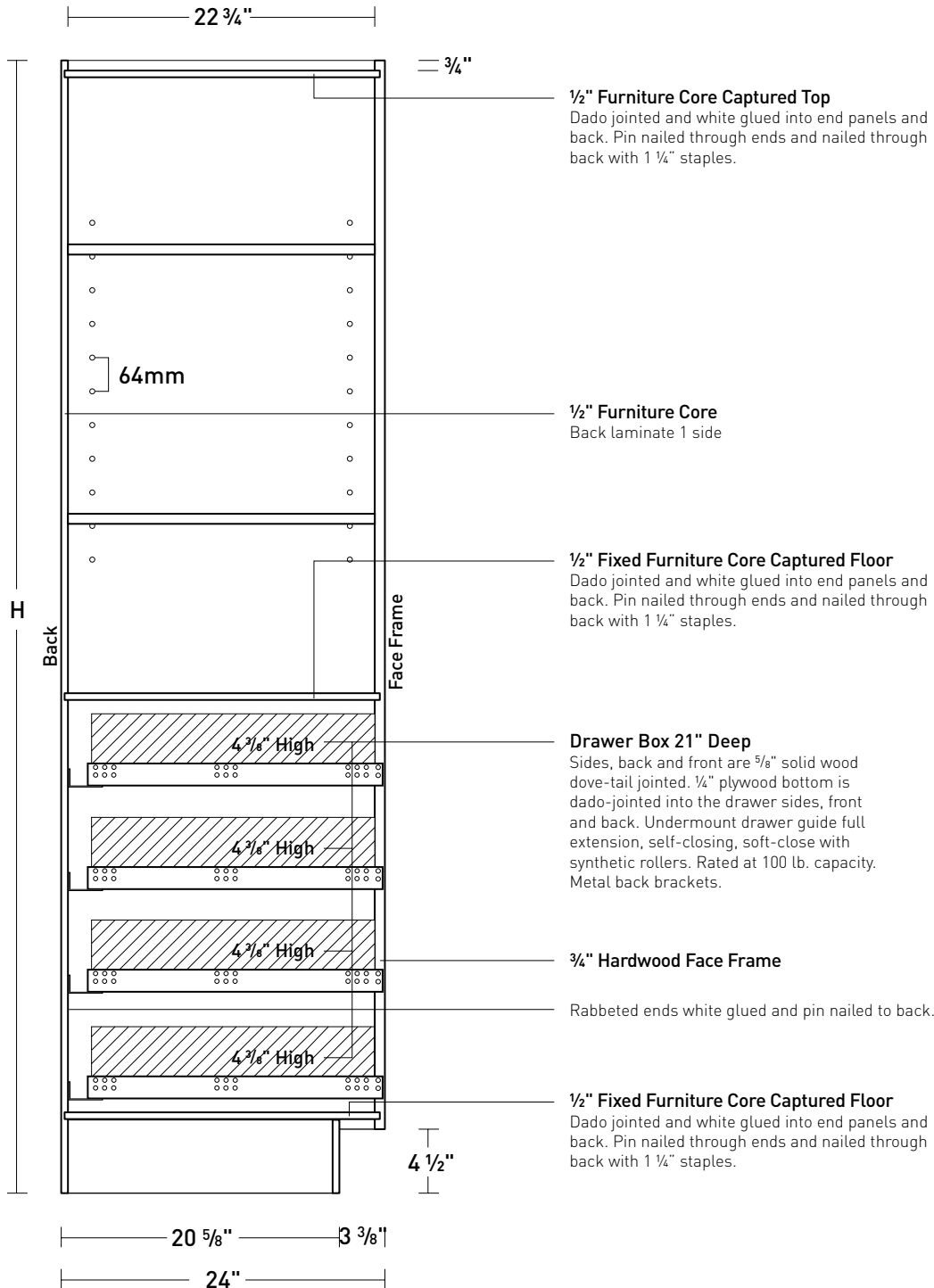
BASE END VIEW



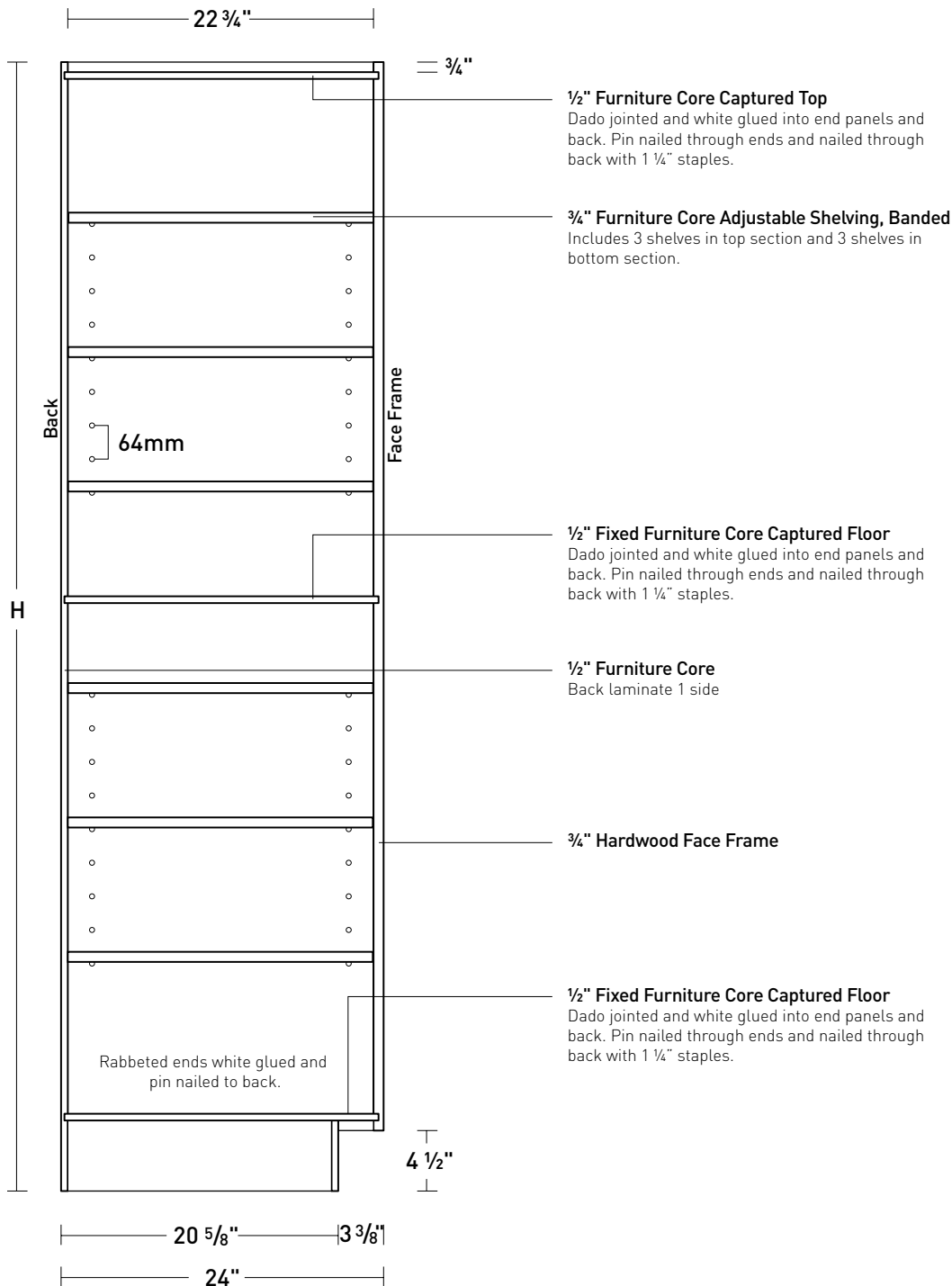
UTILITY END VIEW



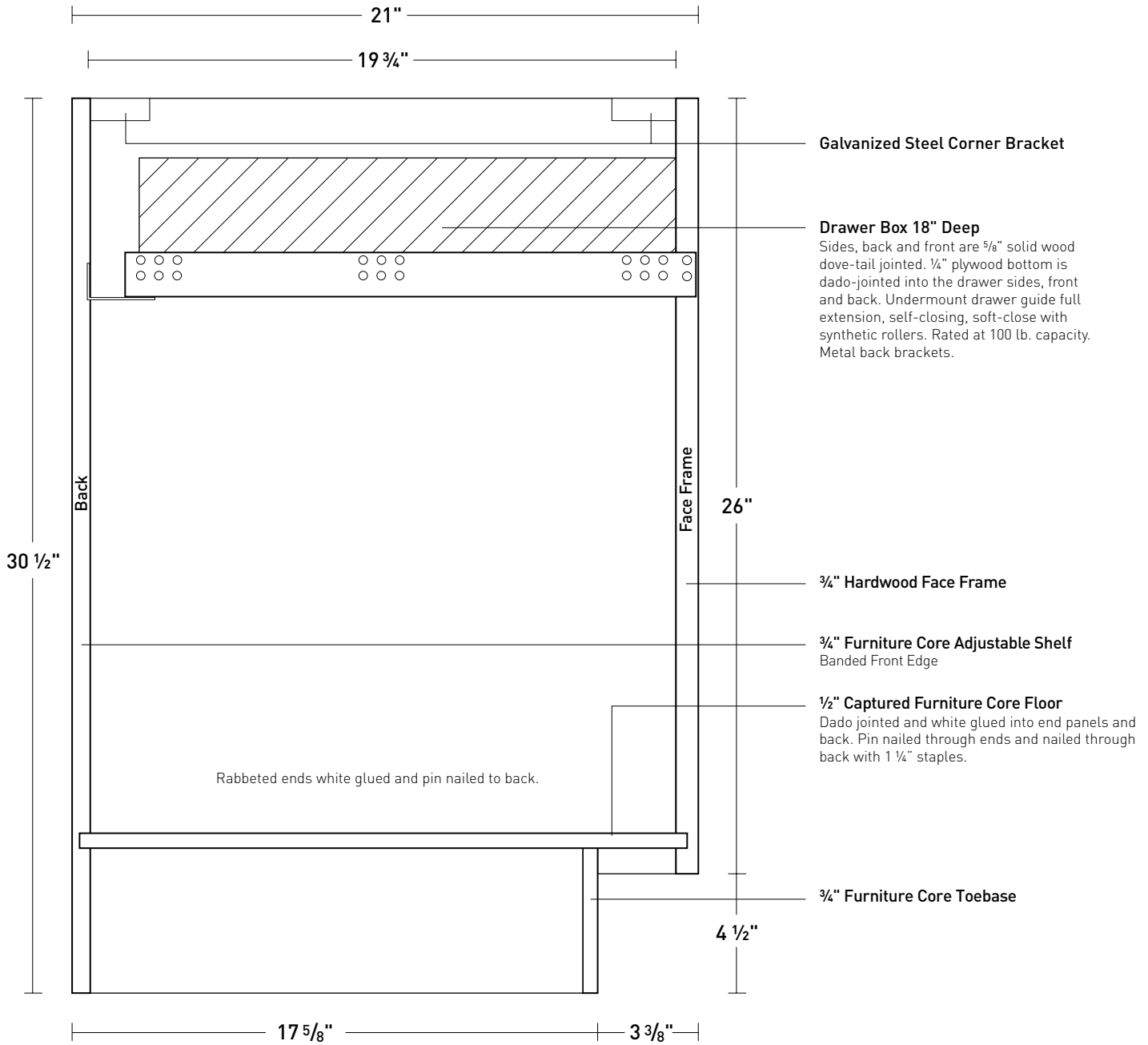
UTILITY DRAWER END VIEW



PANTRY END VIEW



VANITY END VIEW



PREFERRED BY KARMAN

CONSTRUCTION UPGRADES

SECTION 4

Index

DRAWER BOX UPGRADES

Co-Branding Upgrade	4-1
Designer Drawer/Roll-Out Upgrade	4-1
Legrabox Metal Drawer/Roll-Out Upgrade	4-1

DOOR & DRAWER FRONT UPGRADES

5-Piece Fronts	4-3
Arched Doors	4-2
Beaded Panel Doors	4-2
Marcel Fronts	4-3
Outside Edge Profile Change	4-2
Solid Reverse Panel Doors (SRP)	4-2
Trinity Fronts	4-3
2-Tone Applied Molding Enhancement	4-3

STRUCTURAL UPGRADES

All Plywood Upgrade	4-4
Flush Interior Floor Construction	4-4

INSET

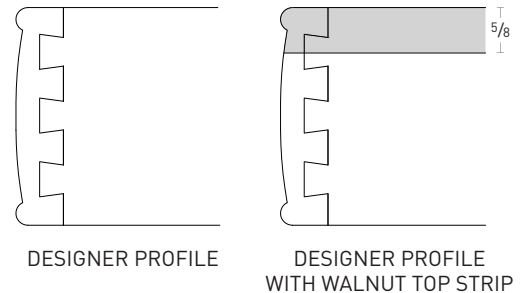
Beaded Inset ◇	4-5
Flush Inset ◇	4-5
Inset Installation Details	4-7
Inset Specifications	4-6
Sculpted Inset ◇	4-5
Stepped Inset ◇	4-5

DESIGNER DRAWER/ROLL-OUT UPGRADE

- » All drawer boxes and roll-outs will be upgraded to the “Designer” dovetail drawer box in standard maple or matching wood Species with designer profiling as standard.
- » **Construction:** Drawers and roll-outs are hand-crafted, sanded, and clear-coat finished for a custom appearance as opposed to standard drawer boxes which are pre-finished material. Upgraded Blum glides are used on all designer drawer boxes and roll-outs. Blum glides feature 100 lb rating, quick-release locking devices, and a limited life-time warranty.
- » **Matching Species:** Drawer boxes and roll-outs are constructed from the same wood Species of the cabinet. For example, a Walnut kitchen will be produced with Walnut drawer boxes and roll-outs. These matching wood Species drawer boxes will always be produced with a natural finish.
- » **Walnut Top Strip:** Maple drawer box is built with 5/8" walnut strip at top of entire drawer box. Available on standard and non-profiled drawers.
- » **“No Profiling”:** Drawers and roll-outs will not receive outside profiling shape but will still be hand-crafted, sanded and clear-coat finished.
- » **Please Note:** All drawers and roll-outs must be upgraded. This upgrade is not available on a per-opening or per-cabinet basis.

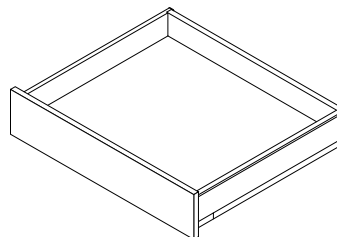
Item	List Each
Designer - Maple	187
Designer - Maple “No-Profiling”	187
Designer - Matching Species	276
Designer - Matching Species “No-Profiling”	276
Designer - Maple with Walnut Top Strip	367
Designer - Maple with Walnut Top Strip “No-Profiling”	367

All drawers and roll-outs on job will be upgraded to Designer Drawers.



LEGRABOX METAL DRAWER/ROLL-OUT UPGRADE

- » All drawers and roll-outs upgraded to the Legrabox drawer system, which features a slim 1/2" thick drawer profile and a sleek, elegant design.
- » Available in two finishes: Matte Orion Gray or Brushed Stainless Steel.
- » Drawers are full extension, soft-close.
- » Drawer bottoms are 5/8" thick metallic melamine material.
- » All drawers and roll-outs must be upgraded. This upgrade is not available on a per-opening or per-cabinet basis.
- » Drawers with Tip-on Blumotion Upgrade open with a light touch in addition to being soft close. Tip-on Blumotion Upgrade charge is in addition to Legrabox upgrade charge and is only available on Legrabox.



Item	List Each
Orion Gray Drawer Box	297
Orion Gray Roll-Out Tray	504
Brushed S/S Drawer Box	479
Brushed S/S Roll-Out Tray	644
Legrabox Upgrade Option	
Tip-on Blumotion	167

All drawers and roll-outs on job will be upgraded to metal drawers.

CO-BRANDING UPGRADE

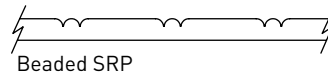
- » Co-Branding is a unique opportunity to distinguish yourself in the marketplace. This specially designed laser engraved logo gives you the ability to set yourself apart from the competition by marketing a custom cabinet that is built to meet your specifications for excellence. This option could be used to distinguish your business or any of your customers' businesses by establishing a custom logo for each.
- » The design and set up fee is one-time only. There are no additional per-usage fees. Please allow a minimum of 4 weeks for design and production before placing your first order. Co-Branding logos **must** include Karman in the logo design.
- » Available on both standard and Designer drawer boxes. Co-Branding logo will be placed on the inside of the topmost drawer boxes. Logo will not be placed on roll-outs.
- » Once Co-Branding set-up is complete, you may elect to have the brand applied automatically on all jobs or on a per-job basis at your request. If multiple brands are ordered you are responsible for identifying which brand to use on each job.

One-time \$1,997 list set up fee.

Note: No fee on additional orders.

BEADED PANEL DOORS

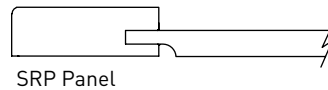
- » Spacing from center of groove to center of groove is 1 3/4". Panel grooves begin from center of panel.
- » Applied to all doors and 5-piece drawer fronts in job.
- » Only available on SRP doors. See door style page for availability.
- » On order form specify Beaded after door name. For example: Meadowbrook SRP Beaded.



5% Premium on Cabinets Only

SOLID REVERSE PANEL DOORS (SRP)

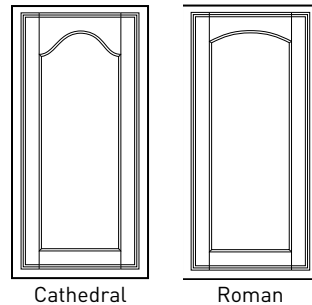
- » Solid wood panel with reverse raise replaces 5.2mm plywood center panel.
- » Applied to all doors and 5-piece drawer fronts in job.
- » See door style page for availability of SRP doors.
- » On order form specify SRP after door name. For example: Meadowbrook SRP.



20% Premium on Cabinets Only

ARCHED DOORS

- » Available in either Cathedral or Roman on select door styles.
- » See door style page for availability.
- » On order form specify door style and Cathedral or Roman. Also specify whether the arch option applies to upper doors, lower doors, or both. If ordered on upper doors, the arch will come on the wall cabinets and the upper doors of any tall cabinets. If ordered on lower doors, arch will come on the base cabinets and the lower doors of any tall cabinets.



**Cathedral:
No Upcharge**

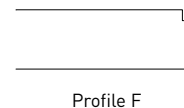
**Roman:
No Upcharge**

OUTSIDE EDGE PROFILE CHANGE

- » Not available on mitered or inset doors. Specify profile change on order form.
- » Applied to all doors and drawer fronts in job.
- » Profile A: Outside edges back-beveled at 13°.
- » Profile B: Outside edges back-beveled at 10°.
- » Profile C: Outside edges 90° with 1/8" radius.
- » Profile D: Outside edges 90° with 3/16" radius.
- » Profile E: Outside edges ogee profile with 90° edge.
- » Profile F: Outside edges 1/8" step with 3/16" radius.
- » Profile G: Outside edges double ogee profile with 13° back-bevel.
- » Profile H: Outside edges coved profile with 90° edge.
- » Profile I: Outside edges 1/8" step with Madison profile edge.



Profile A



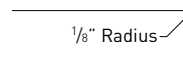
Profile F



Profile B



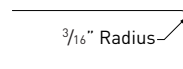
Profile G



Profile C



Profile H



Profile D



Profile I

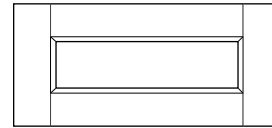


Profile E

**30 Upcharge
Per Each Door and
Drawer Front**

5-PIECE FRONTS

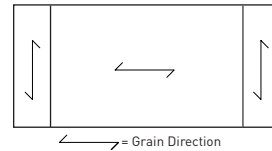
- » Optional for Mortise and Tenon doors, see door style page for availability.
- » Applied to all drawer fronts in job. Fronts less than 6" high will remain slab.
- » 5-Piece fronts will be beaded as standard when ordering optional beaded door panels.
- » Select 5-Piece Fronts on order form.



**60 Upcharge
Per Drawer**

TRINITY FRONTS

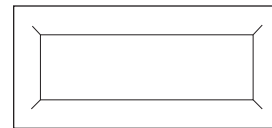
- » Optional for Mortise and Tenon doors, see door style page for availability.
- » Applied to all drawer fronts in job.
- » Select Trinity Fronts on order form.



**50 Upcharge
Per Drawer**

MARCEL FRONTS

- » Optional for Mortise and Tenon doors, see door style page for availability.
- » Front will be 1" thick. Edge profile matches edge profile of door style.
- » Not available with the H edge profile.
- » Applied to all drawer fronts in job.
- » Select Marcel Fronts on order form.



**40 Upcharge
Per Drawer**

2-TONE APPLIED MOLDING ENHANCEMENT

- » Door & cabinet are priced as normal (For example: Maple/Natural/Coronado).
- » A separate Species will be specified for the Applied Molding
- » Typically a Species with contrasting wood tones would be selected for the Applied Molding (For example: Walnut or Cherry molding on a Maple door).
- » Each door & 5-piece Drawer Front will receive an upcharge
- » The door & cabinet must be one finish color. Only the molding Species is changed.
- » The molding Species specified must be an available wood Species choice for the door. (For example, you can not do Bamboo molding on any door).

**115 Upcharge
Per Each Door or
5-Piece Drawer Front**

ALL PLYWOOD UPGRADE

- » **Cabinet Ends, Tops, Bottoms & Backs:** ½" plywood core with maple wood veneer interior finished natural. Exterior ends are raw.
- » **Shelves:** ¾" plywood core shelves with maple wood veneer finished natural.
- » **Please Note:** Plywood Upgrade premiums apply only to cabinetry. The upgrade premiums do not apply to items such as moldings, panels, wood hoods, modifications and accessories; however, wood and finish premiums will still apply.

**22% Premium
on Cabinets
Only**

FLUSH INTERIOR FLOOR CONSTRUCTION

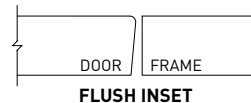
- » Cabinet bottoms upgraded to ¾" thick plywood which are nearly flush to the frame on the inside of the cabinet.
- » **Please Note:**
All cabinets on order will be upgraded to Flush Bottom Construction. This upgrade is not available on a per-cabinet basis. The All Plywood upgrade must be ordered with the Flush Interior Floor upgrade.

**159 Per Cabinet
(Requires the
All Plywood
Upgrade)**

FLUSH INSET

Lead times will be increased by 10 working days

- » All edge profiles are automatically changed to a flush inset edge profile which features an 1/8" rounded edge with a 5° back bevel for optimal function and appearance.

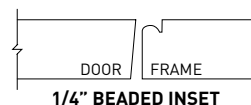


20% Premium on Cabinets Only

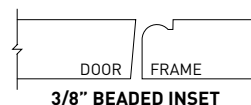
BEADED INSET

Lead times will be increased by 10 working days

- » Beaded Inset is available with either 1/4" or 3/8" beaded frame.
- » All edge profiles are automatically changed to a beaded inset edge profile which features a sharp machine edge with a 5° back bevel for optimal function and appearance.



**1/4" Beaded Inset:
30% Premium on Cabinets Only**

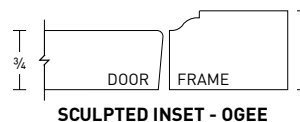


**3/8" Beaded Inset:
30% Premium on Cabinets Only**

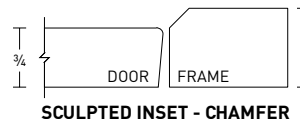
SCULPTED INSET

Lead times will be increased by 10 working days

- » Sculpted Inset is available with either an ogee or chamfer bead.
- » Frame is changed to 1" thick, leaving door recessed 1/4". All cabinet parts will be reduced by 1/4" to accommodate thicker frame; overall depth of cabinets will not be changed.
- » All edge profiles are automatically changed to a sculpted inset edge profile which features an 1/8" rounded edge with a 5° back bevel for optimal function and appearance.
- » Ogee Sculpted Inset is complimented by the Medford door style. Chamfer Sculpted Inset is complimented by the Dakota and Shaker door styles.



**Ogee Sculpted Inset:
40% Premium on Cabinets Only**

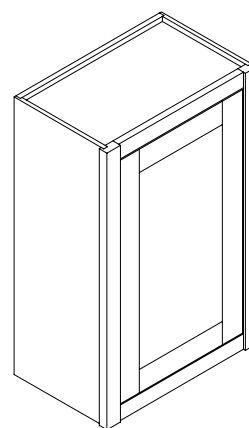
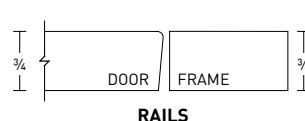
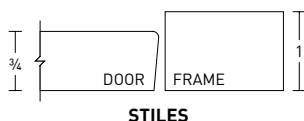


**Chamfer Sculpted Inset:
40% Premium on Cabinets Only**

STEPPED INSET

Lead times will be increased by 10 working days

- » Outside stiles are changed to 1" thick. Rails and any inside stiles remain 3/4" thick and will be recessed 1/4", as will doors. All cabinet parts will be reduced by 1/4" to accommodate thicker frame; overall depth of cabinets will not be changed.
- » All edge profiles are automatically changed to a stepped inset edge profile which features an 1/8" rounded edge with a 5° back bevel for optimal function and appearance.

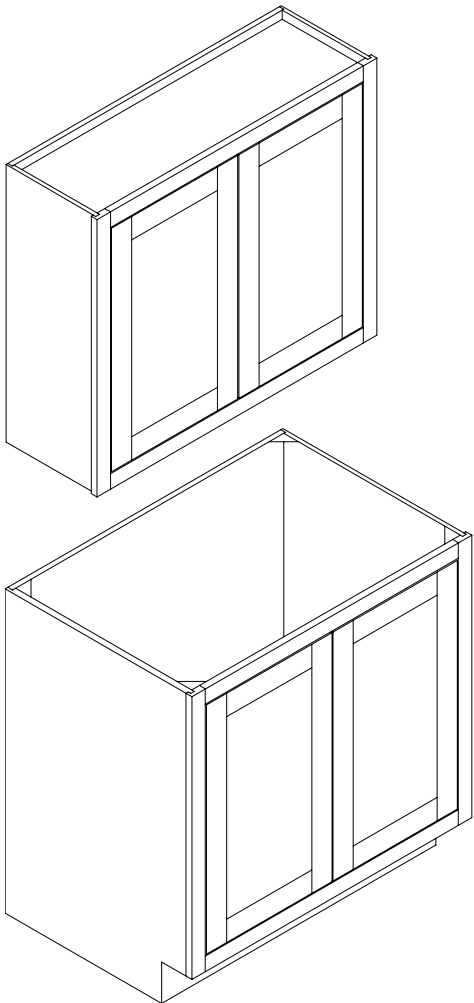


**Stepped Inset:
40% Premium on Cabinets Only**

INSET SPECIFICATIONS

Pricing	Inset premiums are applied to cabinet case price only. Premiums are not applied to moldings, wood hoods, modifications, accessories, etc.
Door Styles	On orders and acknowledgements the words "Inset", "Beaded Inset", "Sculpted Inset", or "Stepped Inset" will be added after the the door style name. For example: "Cordova Inset". Inset not available on: Arlington, Aurora, Bridgeport, Davenport, Estate, Meadowbrook, Metro, Millcreek, Monarch, Nova, Prairie, Redington, Richmond, Seville, Staffordshire, Stelvio, Timpanogos, Willow, Woodridge.
Reveal	Doors will be produced with a nominal $3/32$ " reveal around all sides which allows for expansion or contraction.
Hinges	All hinges will be concealed inset hinges with integrated soft-close. This hinge will be used in conjunction with a plastic Euro stop which provides adjustability.
Faux-Barrel Hinge Upgrade Add \$20 per door.	Faux-Barrel hinge upgrade is available in satin nickle, or oil-rubbed bronze. The faux-barrel is a decorative add-on which gives the visual appearance of an old world barrel hinge. The standard concealed inset hinge is still used as the functional hardware. Please note color selection when ordering. Not available on Stepped Inset cabinets.
Roll-Out Trays	All roll-out trays in inset cabinetry will be reduced in width to accomodate hinge and door clearances. The roll-outs will be approximately $3 \frac{1}{2}$ " less than the width of the frame opening.
Increased Cabinet Depths	Wall cabinets, 12" deep base cabinets, and 12" deep tall cabinets will be increased in depth to 13" deep as standard. The sides of corner wall cabinets will also be increased to 13" deep. The sides of 27" wide corner wall cabinets will be increased to 16" deep to maintain a 3" depth difference.
Increased Lead Times	All inset styles will increase standard lead times by 10 working days.

INSET INSTALLATION DETAILS



1. The effects of moisture are more noticeable on inset cabinetry than on overlay door styles due to the tight tolerances of the door set inside the face frame. It is very important to store and install inset cabinetry in climate controlled environments. Heating and air should be in place to maintain an acceptable range in relative humidity. To prevent door panels from shrinking and swelling, relative humidity should be maintained at 40%-45% year-round during storage, installation, and use. Our inset cabinets leave the factory with a preset gap of a nominal 3/32" of an inch. If inset doors are tight in the frame, this is an indication that these doors have taken on moisture from the surrounding environment.

2. Inset cabinets must be carefully installed with proper shimming to walls and floors so that cabinets are level and plumb when fastened, to avoid racking the cabinet out of square; which could cause binding and malfunction of the doors and drawers.

Inset cabinetry should be installed by experienced and patient installers who have specific inset installation experience.

3. Do not remove "faux barrel hinges" from cabinet doors during installation if doors are removed from the cabinet.

4. Check cabinet for squareness when fastening together, and to the wall; visually monitoring door and drawer front "gap" to frame opening.

5. All doors and drawers are adjusted prior to packing and shipping from the factory.

6. Final adjustment for proper door and drawer front alignment is the responsibility of the field installation crew.

7. The space between any door edge and the cabinet frame shall be adjustable between 1/16" to 1/8". The door shall be adjustable to within 1/8" of the plane of the cabinet face. These tolerances are commonly accepted and Karman will not accept warranty claims for products within these specifications.

8. Failure to comply with the above listed design and installation guidelines will void the cabinet warranty relative to the door and drawer front opening and closing operation.

PREFERRED BY KARMAN

DOOR STYLES

SECTION 5

Index by Category and Name

CONSTRUCTION

Drawer Height Charts	5-1
Preferred Series Door Style Structure	5-1

DOOR STYLES

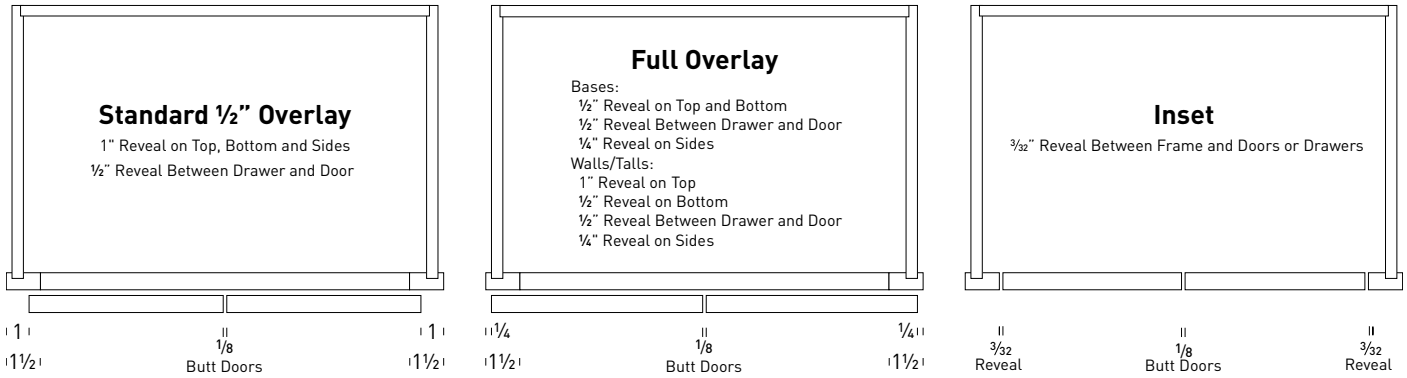
Albany	F	5-2
Arlington	E	5-3
Augusta	B	5-4
Aurora ♦	F	5-5
Avon	D	5-6
Belmont	C	5-7
Breckenridge	D	5-8
Bridgeport	C	5-9
Brookfield	B	5-10
Camden	E	5-11
Catalina	D	5-12
Chatham	F	5-13
Chesapeake	C	5-14
Chesterfield	E	5-15
Colony	C	5-16
Cordova	D	5-17
Coronado	E	5-18
Coventry	E	5-19
Craftsman	B	5-20
Dakota	C	5-21
Davenport	C	5-22
Durango	D	5-23
Estate	B	5-24
Harvest	C	5-25
Hawthorne	C	5-26
Highland	C	5-27
Lancaster	D	5-28
Madison	D	5-29
Meadowbrook	A	5-30
Medford	C	5-31
Mesa	C	5-32

Metro ♦	F	5-33
Milan	D	5-34
Millcreek	A	5-35
Mission	C	5-36
Monarch ♦	F	5-37
Monterey	F	5-38
Newport	D	5-39
Norwich	C	5-40
Nova ♦	F	5-41
Pembroke	D	5-42
Prairie	A	5-43
Redington	E	5-44
Richmond	C	5-45
Santiago	E	5-46
Savannah	D	5-47
Sedona	C	5-48
Seville	B	5-49
Shaker	B	5-50
Shaker Cottage	C	5-51
Sheffield	E	5-52
Staffordshire ♦	F	5-53
Stelvio	D	5-54
Timpanogos	D	5-55
Tissot	D	5-56
Tucson ♦	F	5-57
Willow	D	5-58
Winston	E	5-59
Woodridge ♦	F	5-60

ALUMINUM DOORS

Aluminum Frame Door Hardware	5-62
Aluminum Frame Door Inserts — Glass	5-62
Aluminum Frame Door Inserts — Other	5-62
Aluminum Frame Doors ♦	5-61

PREFERRED SERIES DOOR STYLE STRUCTURE

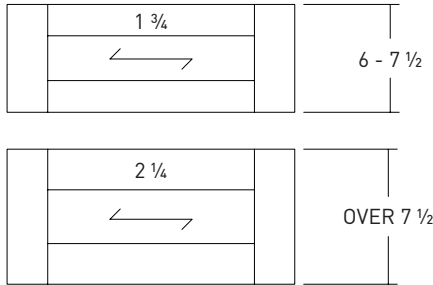


DRAWER HEIGHT CHARTS

Mortise and Tenon Doors (All Mitered Door Styles to be 1 3/4" Framing)

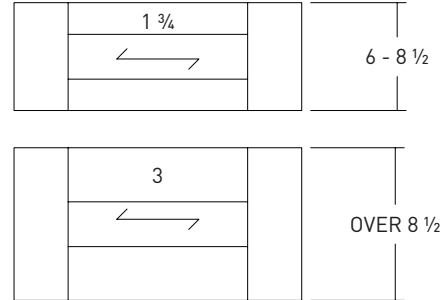
↔ = Grain Direction

Drawer Height Chart 1
2 1/4" Frame Door Styles



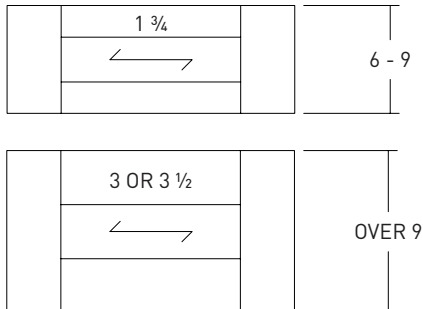
Augusta	Millcreek
Brookfield	Norwich
Coventry	Pembroke
Craftsman	Prairie
Harvest	Savannah
Highland	Shaker
Madison	Shaker Cottage
Meadowbrook	Tucson

Drawer Height Chart 2
3" Frame Door Styles



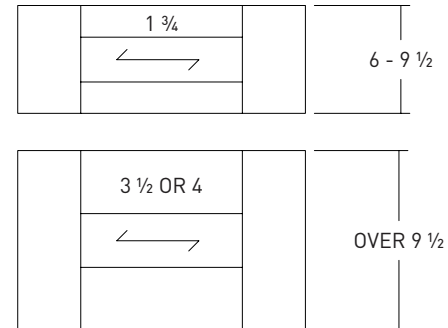
Chesapeake	Medford
Chesterfield	Mesa
Colony	Monterey
Cordova	Santiago
Coronado	Sedona
Dakota	Sheffield
Hawthorne	Tissot
Lancaster	Winston

Drawer Height Chart 3
Select 3" & 3 1/2" Frame Door Styles



Albany (3)	Mission (3 1/2)
Camden (3)	Newport (3 1/2)
Chatham (3)	

Drawer Height Chart 4
Select 3 1/2" & 4" Frame Door Styles



Avon (3 1/2)	Catalina (3 1/2)
Belmont (3 1/2)	Durango (4)
Breckenridge (4)	Milan (3 1/2)

ALBANY

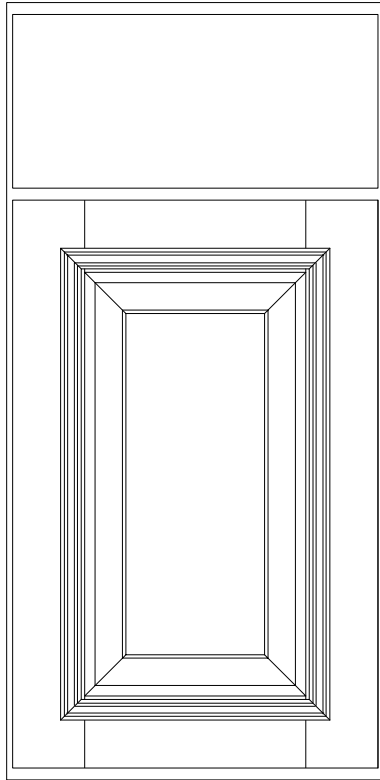
Standard Feature: **S**

Not Available: **—**

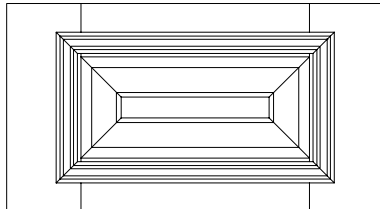
Price Group F

STANDARD INFORMATION:

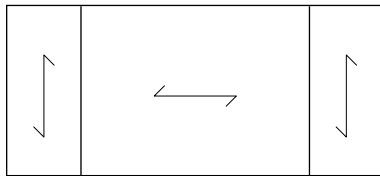
Overlay	Full
Panel Type	Raised Panel
Standard Drawer Fronts	Slab
OPTIONS: (by request)	
Drawer Front Upgrade (Per Drawer)	5-Piece: \$60 Trinity (3-Piece): \$50 Marcel (1" Thick): \$40
Edge Profile Change (Per Door/Drawer)	Available -\$30
Inset \diamond	Flush: +20% Beaded (1/4" or 3/8"): +30% Chamfer, Ogee, Stepped: +40%
Solid Reverse Panel (SRP)	—
Beaded Panels	—
2 Tone	\$115 per door/ 5-piece Drawer
Victorian	\$95 per door



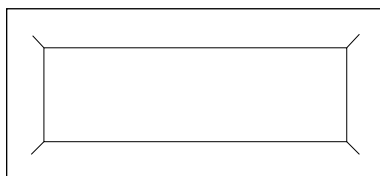
Edge Profile: C
Framing Bead: Ogee
Panel: 996



Optional 5-Piece Drawer Front
See Drawer Height Chart #3



Optional Trinity Front (3-Piece)
↔ = Grain Direction



Optional Marcel Drawer Front (1" Thick)

	PAIN GRADE	OAK	HICKORY	MAPLE	ALDER	CHERRY	1/2-SAMNOAK	WALNUT	BAMBOO \square	RED BIRCH \square	LYPTUS \square
Clear	+0%	+0%	+7%	+7%	+7%	+15%	+40%	+40%	—	+40%	+40%
Rustic	—	+0%	+7%	+7%	+7%	+15%	—	+40%	—	—	—

STAIN FINISHES:

Cocoa	—	S	S	S	S	S	S	S	—	S	S
Ecru NEW	—	S	S	S	S	S	S	S	—	S	S
Stone NEW	—	S	S	S	S	S	S	S	—	S	S
Graphite	—	S	S	S	S	S	S	S	—	S	S
Greystone	—	S	S	S	S	S	S	S	—	S	S
Honey	—	S	S	S	S	S	S	S	—	S	S
Ivory	—	S	S	S	S	S	S	S	—	S	S
Java	—	S	S	S	S	S	S	S	—	S	S
Kodiak	—	S	S	S	S	S	S	S	—	S	S
Lilac NEW	—	S	S	S	S	S	S	S	—	S	S
Limestone	—	S	S	S	S	S	S	S	—	S	S
Natural	—	S	S	S	S	S	S	S	—	S	S
Umber NEW	—	S	S	S	S	S	S	S	—	S	S
Sage	—	S	S	S	S	S	S	S	—	S	S
Salem	—	S	S	S	S	S	S	S	—	S	S
Shale	—	S	S	S	S	S	S	S	—	S	S
Porcini NEW	—	S	S	S	S	S	S	S	—	S	S
Spice	—	S	S	S	S	S	S	S	—	S	S
Obsidian NEW	—	S	S	S	S	S	S	S	—	S	S
Straw NEW	—	S	S	S	S	S	S	S	—	S	S

PAINT FINISHES:

Azure NEW	+18%	+18%	—	+18%	+18%	—	—	—	—	—	—
Bright White NEW	+18%	+18%	—	+18%	+18%	—	—	—	—	—	—
Gibraltar Cliffs NEW	+18%	+18%	—	+18%	+18%	—	—	—	—	—	—
Glacier	+18%	+18%	—	+18%	+18%	—	—	—	—	—	—
Kendall Charcoal	+18%	+18%	—	+18%	+18%	—	—	—	—	—	—
Midnight	+18%	+18%	—	+18%	+18%	—	—	—	—	—	—
Olive NEW	+18%	+18%	—	+18%	+18%	—	—	—	—	—	—
Revere Pewter NEW	+18%	+18%	—	+18%	+18%	—	—	—	—	—	—
Regent Blue NEW	+18%	+18%	—	+18%	+18%	—	—	—	—	—	—
Smoke NEW	+18%	+18%	—	+18%	+18%	—	—	—	—	—	—
Solitude	+18%	+18%	—	+18%	+18%	—	—	—	—	—	—
Stonington Gray	+18%	+18%	—	+18%	+18%	—	—	—	—	—	—
Super White	+18%	+18%	—	+18%	+18%	—	—	—	—	—	—
White Dove	+18%	+18%	—	+18%	+18%	—	—	—	—	—	—
Classic Select Paints \bullet	+30%	+30%	—	+30%	+30%	—	—	—	—	—	—

FINISH ENHANCEMENTS:

Highlight Glaze	+8%	+8%	+8%	+8%	+8%	+8%	+8%	+8%	—	+8%	+8%
Antique Glaze	+15%	+15%	+15%	+15%	+15%	+15%	+15%	+15%	—	+15%	+15%
Old World $\times \diamond$	—	+40%	+40%	+40%	+40%	+40%	+40%	+40%	—	+40%	+40%
Vintage \star	—	—	—	—	+15%	—	—	—	—	—	—
Bisque $\star \diamond$	—	—	—	—	+15%	—	—	—	—	—	—
Light Brush Stroke $\star \diamond$	+20%	+20%	—	+20%	—	—	—	—	—	—	—
Heavy Brush Stroke $\star \diamond$	+20%	+20%	—	+20%	—	—	—	—	—	—	—
Distressed	+5%	+5%	+5%	+5%	+5%	+5%	+5%	+5%	—	+5%	+5%
Pencil Edge Sanding \star	+8%	+8%	—	+8%	—	—	—	—	—	—	—

- > \times = not available on paint finishes. \diamond = increases lead time by 10 days. \bullet = Increases lead times by 5 days.
- > \star = only available on paint finishes; see Finish Specifications section for color availability. Not available on rustic.
- > Paint finishes are not available on rustic and require an Agreement of Understanding.

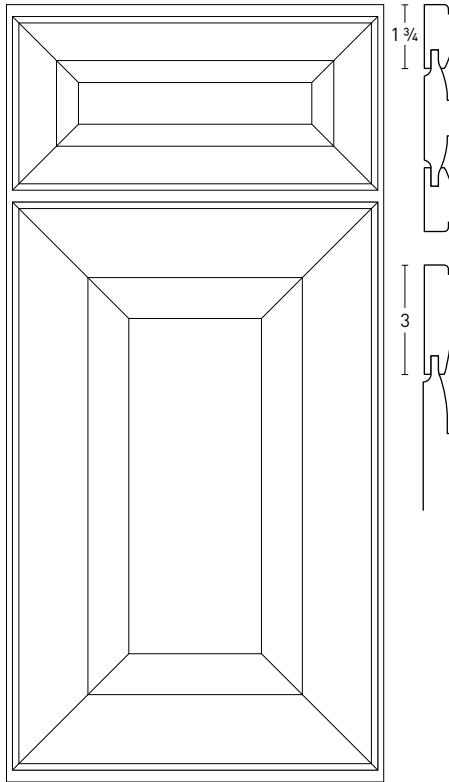
Door Styles

PREFERRED BY KARMAN

ARLINGTON

Standard Feature: **S**

Not Available: **-**



Edge Profile: Door Specific
Framing Bead: Door Specific
Panel: 994

STANDARD INFORMATION:

Overlay	Full
Panel Type	Raised Panel
Standard Drawer Fronts	5-Piece

OPTIONS: (by request)

Drawer Front Upgrade (Per Drawer)	-
Edge Profile Change (Per Door/Drawer)	-
Inset \diamond	-
Solid Reverse Panel (SRP)	-
Beaded Panels	-
Arched Doors	-
Victorian	-

Price Group E

	PAINT GRADE	OAK	HICKORY	MAPLE	ALDER	CHERRY	1/4-SAWN OAK	WALNUT	BAMBOO \square	RED BIRCH \square	LYPTUS \square
Clear	+0%	+0%	+7%	+7%	+7%	+15%	+40%	+40%	-	+40%	+40%
Rustic	-	+0%	+7%	+7%	+7%	+15%	-	+40%	-	-	-

STAIN FINISHES:

Cocoa	-	S	S	S	S	S	S	S	-	S	S
Ecru NEW	-	S	S	S	S	S	S	S	-	S	S
Stone NEW	-	S	S	S	S	S	S	S	-	S	S
Graphite	-	S	S	S	S	S	S	S	-	S	S
Greystone	-	S	S	S	S	S	S	S	-	S	S
Honey	-	S	S	S	S	S	S	S	-	S	S
Ivory	-	S	S	S	S	S	S	S	-	S	S
Java	-	S	S	S	S	S	S	S	-	S	S
Kodiak	-	S	S	S	S	S	S	S	-	S	S
Lilac NEW	-	S	S	S	S	S	S	S	-	S	S
Limestone	-	S	S	S	S	S	S	S	-	S	S
Natural	-	S	S	S	S	S	S	S	-	S	S
Umber NEW	-	S	S	S	S	S	S	S	-	S	S
Sage	-	S	S	S	S	S	S	S	-	S	S
Salem	-	S	S	S	S	S	S	S	-	S	S
Shale	-	S	S	S	S	S	S	S	-	S	S
Porcini NEW	-	S	S	S	S	S	S	S	-	S	S
Spice	-	S	S	S	S	S	S	S	-	S	S
Obsidian NEW	-	S	S	S	S	S	S	S	-	S	S
Straw NEW	-	S	S	S	S	S	S	S	-	S	S

PAINT FINISHES:

Azure NEW	+18%	+18%	-	+18%	+18%	-	-	-	-	-	-
Bright White NEW	+18%	+18%	-	+18%	+18%	-	-	-	-	-	-
Gibraltar Cliffs NEW	+18%	+18%	-	+18%	+18%	-	-	-	-	-	-
Glacier	+18%	+18%	-	+18%	+18%	-	-	-	-	-	-
Kendall Charcoal	+18%	+18%	-	+18%	+18%	-	-	-	-	-	-
Midnight	+18%	+18%	-	+18%	+18%	-	-	-	-	-	-
Olive NEW	+18%	+18%	-	+18%	+18%	-	-	-	-	-	-
Revere Pewter NEW	+18%	+18%	-	+18%	+18%	-	-	-	-	-	-
Regent Blue NEW	+18%	+18%	-	+18%	+18%	-	-	-	-	-	-
Smoke NEW	+18%	+18%	-	+18%	+18%	-	-	-	-	-	-
Solitude	+18%	+18%	-	+18%	+18%	-	-	-	-	-	-
Stonington Gray	+18%	+18%	-	+18%	+18%	-	-	-	-	-	-
Super White	+18%	+18%	-	+18%	+18%	-	-	-	-	-	-
White Dove	+18%	+18%	-	+18%	+18%	-	-	-	-	-	-
Classic Select Paints \bullet	+30%	+30%	-	+30%	+30%	-	-	-	-	-	-

FINISH ENHANCEMENTS:

Highlight Glaze	+8%	+8%	+8%	+8%	+8%	+8%	+8%	+8%	-	+8%	+8%
Antique Glaze	+15%	+15%	+15%	+15%	+15%	+15%	+15%	+15%	-	+15%	+15%
Old World $\times \diamond$	-	+40%	+40%	+40%	+40%	+40%	+40%	+40%	-	+40%	+40%
Vintage \star	-	-	-	-	+15%	-	-	-	-	-	-
Bisque $\star \diamond$	-	-	-	-	+15%	-	-	-	-	-	-
Light Brush Stroke $\star \diamond$	+20%	+20%	-	+20%	-	-	-	-	-	-	-
Heavy Brush Stroke $\star \diamond$	+20%	+20%	-	+20%	-	-	-	-	-	-	-
Distressed	+5%	+5%	+5%	+5%	+5%	+5%	+5%	+5%	-	+5%	+5%
Pencil Edge Sanding \star	+8%	+8%	-	+8%	-	-	-	-	-	-	-

- \times = not available on paint finishes. \diamond = increases lead time by 10 days. \bullet = Increases lead times by 5 days.
- \star = only available on paint finishes; see Finish Specifications section for color availability. Not available on rustic.
- Paint finishes are not available on rustic and require an Agreement of Understanding.

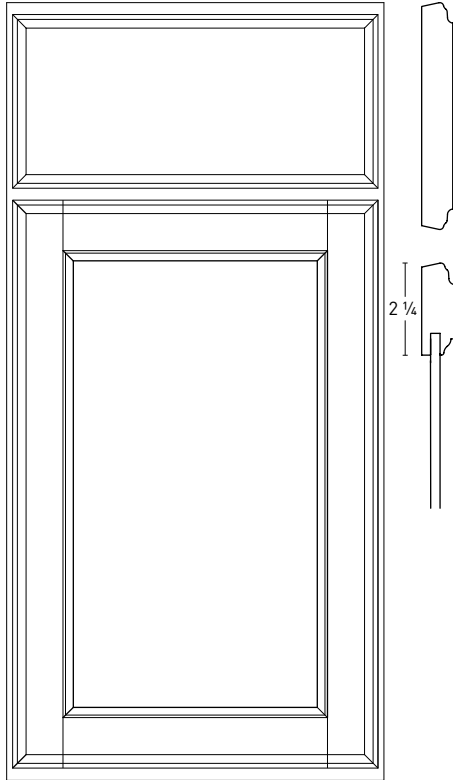
AUGUSTA

Standard Feature: **S** Not Available: **—**

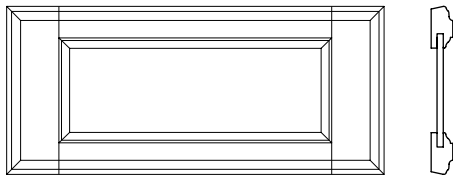
Price Group B

STANDARD INFORMATION:

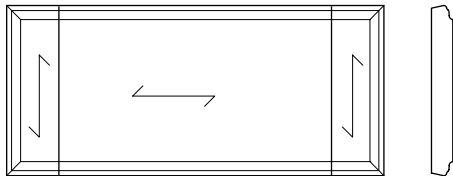
Overlay	Full
Panel Type	5.2 mm Recessed Panel
Standard Drawer Fronts	Slab
OPTIONS: (by request)	
Drawer Front Upgrade (Per Drawer)	5-Piece: \$60 Trinity (3-Piece): \$50 Marcel (1" Thick): \$40
Edge Profile Change (Per Door/Drawer)	Available -\$30
Inset ◇	Flush: +20% Beaded (1/4" or 3/8"): +30% Chamfer, Ogee, Stepped: +40%
Solid Reverse Panel (SRP)	+20%
Beaded Panels ▲	+5%
Arched Doors	Roman Arch: \$0 Crescent: \$115 (Per Door)
Victorian	\$95 per door



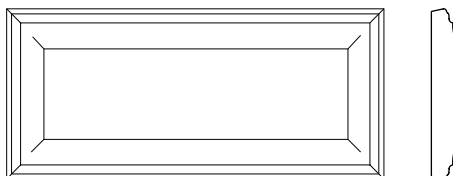
Edge Profile: G
Framing Bead: Ogee
Panel: 992 [5.2 mm]



Optional 5-Piece Drawer Front
See Drawer Height Chart #1



Optional Trinity Front (3-Piece)
↔ = Grain Direction



Optional Marcel Drawer Front (1" Thick)

	PAIN T GRADE	OAK	HICKORY	MAPLE	ALDER	CHERRY	1/2-SAWN OAK	WALNUT	BAMBOO ◇	RED BIRCH ◇	LYPTUS ◇
Clear	+0%	+0%	+7%	+7%	+7%	+15%	+40%	+40%	+40%	+40%	+40%
Rustic	—	+0%	+7% ▲	+7%	+7%	+15%	—	+40%	—	—	—

STAIN FINISHES:

Cocoa	—	S	S	S	S	S	S	S	S	S	S
Ecru NEW	—	S	S	S	S	S	S	S	S	S	S
Stone NEW	—	S	S	S	S	S	S	S	S	S	S
Graphite	—	S	S	S	S	S	S	S	S	S	S
Greystone	—	S	S	S	S	S	S	S	S	S	S
Honey	—	S	S	S	S	S	S	S	S	S	S
Ivory	—	S	S	S	S	S	S	S	S	S	S
Java	—	S	S	S	S	S	S	S	S	S	S
Kodiak	—	S	S	S	S	S	S	S	S	S	S
Lilac NEW	—	S	S	S	S	S	S	S	S	S	S
Limestone	—	S	S	S	S	S	S	S	S	S	S
Natural	—	S	S	S	S	S	S	S	S	S	S
Umber NEW	—	S	S	S	S	S	S	S	S	S	S
Sage	—	S	S	S	S	S	S	S	S	S	S
Salem	—	S	S	S	S	S	S	S	S	S	S
Shale	—	S	S	S	S	S	S	S	S	S	S
Porcini NEW	—	S	S	S	S	S	S	S	S	S	S
Spice	—	S	S	S	S	S	S	S	S	S	S
Obsidian NEW	—	S	S	S	S	S	S	S	S	S	S
Straw NEW	—	S	S	S	S	S	S	S	S	S	S

PAINT FINISHES:

Azure NEW	+18%	+18%	—	+18%	+18%	—	—	—	—	—	—
Bright White NEW	+18%	+18%	—	+18%	+18%	—	—	—	—	—	—
Gibraltar Cliffs NEW	+18%	+18%	—	+18%	+18%	—	—	—	—	—	—
Glacier	+18%	+18%	—	+18%	+18%	—	—	—	—	—	—
Kendall Charcoal	+18%	+18%	—	+18%	+18%	—	—	—	—	—	—
Midnight	+18%	+18%	—	+18%	+18%	—	—	—	—	—	—
Olive NEW	+18%	+18%	—	+18%	+18%	—	—	—	—	—	—
Revere Pewter NEW	+18%	+18%	—	+18%	+18%	—	—	—	—	—	—
Regent Blue NEW	+18%	+18%	—	+18%	+18%	—	—	—	—	—	—
Smoke NEW	+18%	+18%	—	+18%	+18%	—	—	—	—	—	—
Solitude	+18%	+18%	—	+18%	+18%	—	—	—	—	—	—
Stonington Gray	+18%	+18%	—	+18%	+18%	—	—	—	—	—	—
Super White	+18%	+18%	—	+18%	+18%	—	—	—	—	—	—
White Dove	+18%	+18%	—	+18%	+18%	—	—	—	—	—	—
Classic Select Paints ●	+30%	+30%	—	+30%	+30%	—	—	—	—	—	—

FINISH ENHANCEMENTS:

Highlight Glaze	+8%	+8%	+8%	+8%	+8%	+8%	+8%	+8%	+8%	+8%	+8%
Antique Glaze	+15%	+15%	+15%	+15%	+15%	+15%	+15%	+15%	+15%	+15%	+15%
Old World ✕◇	—	+40%	+40%	+40%	+40%	+40%	+40%	+40%	+40%	+40%	+40%
Vintage ★	—	—	—	—	+15%	—	—	—	—	—	—
Bisque ★◇	—	—	—	—	+15%	—	—	—	—	—	—
Light Brush Stroke ★◇	+20%	+20%	—	+20%	—	—	—	—	—	—	—
Heavy Brush Stroke ★◇	+20%	+20%	—	+20%	—	—	—	—	—	—	—
Distressed	+5%	+5%	+5%	+5%	+5%	+5%	+5%	+5%	+5%	+5%	+5%
Pencil Edge Sanding ★	+8%	+8%	—	+8%	—	—	—	—	—	—	—

✕ ▲ = SRP required. ✕ = not available on paint finishes. ◇ = increases lead time by 10 days. ● = Increases lead times by 5 days.
 ★ = only available on paint finishes; see Finish Specifications section for color availability. Not available on rustic.
 ✕ Paint finishes are not available on rustic and require an Agreement of Understanding.

Door Styles

PREFERRED BY KARMAN

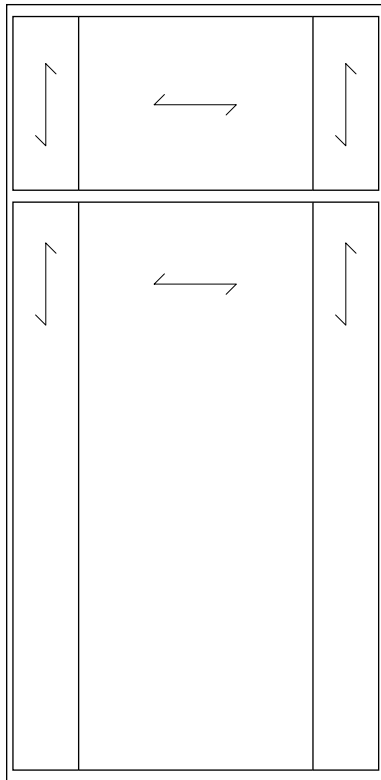
AURORA

Lead times will be increased by 10 working days

Standard Feature: S

Not Available: -

Price Group F



1/16" Lip
3 Top View
Side Edge Profile: C
Top & Bottom Machined Edge
Framing Bead: 1/16" Lip
Panel: Specialty Veneer
↔ = Grain Direction

STANDARD INFORMATION:

Overlay	Full
Panel Type	Veneer Insert
Standard Drawer Fronts	Matches Doors

OPTIONS: (by request)

Drawer Front Upgrade (Per Drawer)	-
Edge Profile Change (Per Door/Drawer)	-
Inset ◇	-
Solid Reverse Panel (SRP)	-
Beaded Panels	-
Arched Doors	-
Victorian	-

	PAINT GRADE	OAK	HICKORY	MAPLE	ALDER	CHERRY	1/4-SAWNOAK	WALNUT	BAMBOO	RED BIRCH	LYPTUS
Clear	-	+0%	+7%	+7%	+7%	+15%	+40%	+40%	+40%	+40%	-
Rustic	-	-	-	-	-	-	-	-	-	-	-

STAIN FINISHES:

Cocoa	-	S	S	S	S	S	S	S	S	S	-
Ecru ^{NEW}	-	S	S	S	S	S	S	S	S	S	-
Stone ^{NEW}	-	S	S	S	S	S	S	S	S	S	-
Graphite	-	S	S	S	S	S	S	S	S	S	-
Greystone	-	S	S	S	S	S	S	S	S	S	-
Honey	-	S	S	S	S	S	S	S	S	S	-
Ivory	-	S	S	S	S	S	S	S	S	S	-
Java	-	S	S	S	S	S	S	S	S	S	-
Kodiak	-	S	S	S	S	S	S	S	S	S	-
Lilac ^{NEW}	-	S	S	S	S	S	S	S	S	S	-
Limestone	-	S	S	S	S	S	S	S	S	S	-
Natural	-	S	S	S	S	S	S	S	S	S	-
Umber ^{NEW}	-	S	S	S	S	S	S	S	S	S	-
Sage	-	S	S	S	S	S	S	S	S	S	-
Salem	-	S	S	S	S	S	S	S	S	S	-
Shale	-	S	S	S	S	S	S	S	S	S	-
Porcini ^{NEW}	-	S	S	S	S	S	S	S	S	S	-
Spice	-	S	S	S	S	S	S	S	S	S	-
Obsidian ^{NEW}	-	S	S	S	S	S	S	S	S	S	-
Straw ^{NEW}	-	S	S	S	S	S	S	S	S	S	-

PAINT FINISHES:

Azure ^{NEW}	-	-	-	-	-	-	-	-	-	-	-
Bright White ^{NEW}	-	-	-	-	-	-	-	-	-	-	-
Gibraltar Cliffs ^{NEW}	-	-	-	-	-	-	-	-	-	-	-
Glacier	-	-	-	-	-	-	-	-	-	-	-
Kendall Charcoal	-	-	-	-	-	-	-	-	-	-	-
Midnight	-	-	-	-	-	-	-	-	-	-	-
Olive ^{NEW}	-	-	-	-	-	-	-	-	-	-	-
Revere Pewter ^{NEW}	-	-	-	-	-	-	-	-	-	-	-
Regent Blue ^{NEW}	-	-	-	-	-	-	-	-	-	-	-
Smoke ^{NEW}	-	-	-	-	-	-	-	-	-	-	-
Solitude	-	-	-	-	-	-	-	-	-	-	-
Stonington Gray	-	-	-	-	-	-	-	-	-	-	-
Super White	-	-	-	-	-	-	-	-	-	-	-
White Dove	-	-	-	-	-	-	-	-	-	-	-
Classic Select Paints ●	-	-	-	-	-	-	-	-	-	-	-

FINISH ENHANCEMENTS:

Highlight Glaze	-	-	-	-	-	-	-	-	-	-	-
Antique Glaze	-	-	-	-	-	-	-	-	-	-	-
Old World ✕◇	-	-	-	-	-	-	-	-	-	-	-
Vintage ★	-	-	-	-	-	-	-	-	-	-	-
Bisque ★◇	-	-	-	-	-	-	-	-	-	-	-
Light Brush Stroke ★◇	-	-	-	-	-	-	-	-	-	-	-
Heavy Brush Stroke ★◇	-	-	-	-	-	-	-	-	-	-	-
Distressed	-	-	-	-	-	-	-	-	-	-	-
Pencil Edge Sanding ★	-	-	-	-	-	-	-	-	-	-	-

✕ = not available on paint finishes. ◇ = increases lead time by 10 days. ● = Increases lead times by 5 days.
 ★ = only available on paint finishes; see Finish Specifications section for color availability. Not available on rustic.

VENEER CENTER PANEL OPTIONS

Cherry, Maple, 1/4-Sawn White Oak	N/C
Bamboo, Walnut, Wenge	209 per door 34 per drawer

- Door built with 3" solid wood stiles and veneered center panel.
 - Matching veneer edge banding top and bottom. Wenge veneer receives Walnut edge banding.
- Cabinet box built with same wood Species as stiles.
- Veneer center panel receives horizontal grain standard.
- Maximum door width is 98". Maximum door height is 48". Doors may be oversized in height with rail between the panel.

AVON

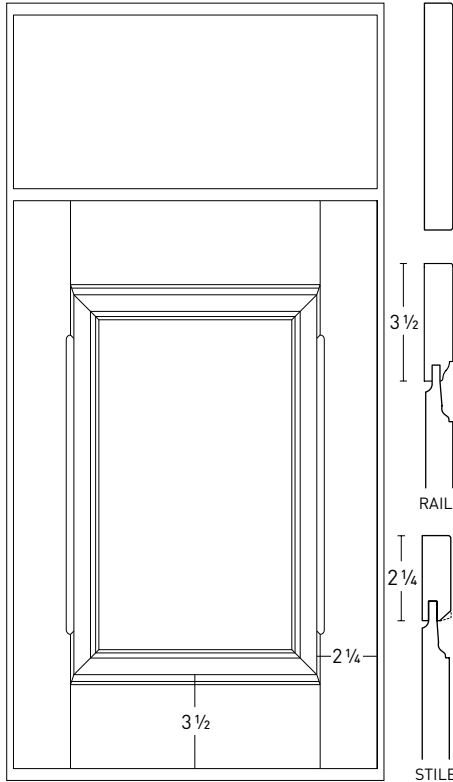
Standard Feature: **S**

Not Available: **—**

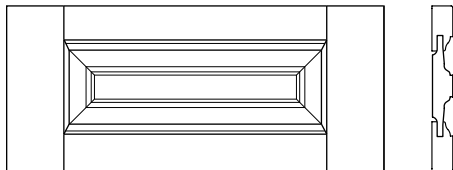
Price Group D

STANDARD INFORMATION:

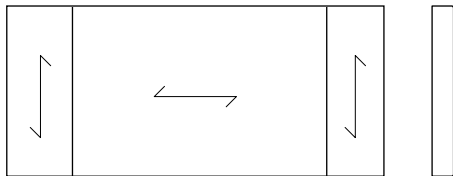
Overlay	Full
Panel Type	Raised Panel
Standard Drawer Fronts	Slab
OPTIONS: (by request)	
Drawer Front Upgrade (Per Drawer)	5-Piece: \$60 Trinity (3-Piece): \$50 Marcel (1" Thick): \$40
Edge Profile Change (Per Door/Drawer)	Available -\$30
Inset \diamond	Flush: +20% Beaded (1/4" or 3/8"): +30% Chamfer, Ogee, Stepped: +40%
Solid Reverse Panel (SRP)	—
Beaded Panels	—
Arched Doors	—
Victorian	\$95 per door



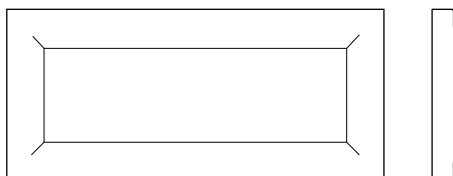
Edge Profile: C
 Rail Framing Bead: Ogee
 Stile Framing Bead: Chamfer Stiles
 (No Chamfer on Drawers)
 Panel: 996



Optional 5-Piece Drawer Front
 See Drawer Height Chart #4



Optional Trinity Front (3-Piece)
 ↙ ↘ = Grain Direction



Optional Marcel Drawer Front (1" Thick)

	PAIN T GRADE	OAK	HICKORY	MAPLE	ALDER	CHERRY	1/2-SAMMOAK	WALNUT	BAMBOO \square	RED BIRCH \square	LYPTUS \square
Clear	+0%	+0%	+7%	+7%	+7%	+15%	+40%	+40%	—	+40%	+40%
Rustic	—	+0%	+7%	+7%	+7%	+15%	—	+40%	—	—	—

STAIN FINISHES:

Cocoa	—	S	S	S	S	S	S	S	—	S	S
Ecru ^{NEW}	—	S	S	S	S	S	S	S	—	S	S
Stone ^{NEW}	—	S	S	S	S	S	S	S	—	S	S
Graphite	—	S	S	S	S	S	S	S	—	S	S
Greystone	—	S	S	S	S	S	S	S	—	S	S
Honey	—	S	S	S	S	S	S	S	—	S	S
Ivory	—	S	S	S	S	S	S	S	—	S	S
Java	—	S	S	S	S	S	S	S	—	S	S
Kodiak	—	S	S	S	S	S	S	S	—	S	S
Lilac ^{NEW}	—	S	S	S	S	S	S	S	—	S	S
Limestone	—	S	S	S	S	S	S	S	—	S	S
Natural	—	S	S	S	S	S	S	S	—	S	S
Umber ^{NEW}	—	S	S	S	S	S	S	S	—	S	S
Sage	—	S	S	S	S	S	S	S	—	S	S
Salem	—	S	S	S	S	S	S	S	—	S	S
Shale	—	S	S	S	S	S	S	S	—	S	S
Porcini ^{NEW}	—	S	S	S	S	S	S	S	—	S	S
Spice	—	S	S	S	S	S	S	S	—	S	S
Obsidian ^{NEW}	—	S	S	S	S	S	S	S	—	S	S
Straw ^{NEW}	—	S	S	S	S	S	S	S	—	S	S

PAINT FINISHES:

Azure ^{NEW}	+18%	+18%	—	+18%	+18%	—	—	—	—	—	—
Bright White ^{NEW}	+18%	+18%	—	+18%	+18%	—	—	—	—	—	—
Gibraltar Cliffs ^{NEW}	+18%	+18%	—	+18%	+18%	—	—	—	—	—	—
Glacier	+18%	+18%	—	+18%	+18%	—	—	—	—	—	—
Kendall Charcoal	+18%	+18%	—	+18%	+18%	—	—	—	—	—	—
Midnight	+18%	+18%	—	+18%	+18%	—	—	—	—	—	—
Olive ^{NEW}	+18%	+18%	—	+18%	+18%	—	—	—	—	—	—
Revere Pewter ^{NEW}	+18%	+18%	—	+18%	+18%	—	—	—	—	—	—
Regent Blue ^{NEW}	+18%	+18%	—	+18%	+18%	—	—	—	—	—	—
Smoke ^{NEW}	+18%	+18%	—	+18%	+18%	—	—	—	—	—	—
Solitude	+18%	+18%	—	+18%	+18%	—	—	—	—	—	—
Stonington Gray	+18%	+18%	—	+18%	+18%	—	—	—	—	—	—
Super White	+18%	+18%	—	+18%	+18%	—	—	—	—	—	—
White Dove	+18%	+18%	—	+18%	+18%	—	—	—	—	—	—
Classic Select Paints \bullet	+30%	+30%	—	+30%	+30%	—	—	—	—	—	—

FINISH ENHANCEMENTS:

Highlight Glaze	—	—	—	—	—	—	—	—	—	—	—
Antique Glaze	—	—	—	—	—	—	—	—	—	—	—
Old World $\times \diamond$	—	—	—	—	—	—	—	—	—	—	—
Vintage \star	—	—	—	—	—	—	—	—	—	—	—
Bisque $\star \diamond$	—	—	—	—	—	—	—	—	—	—	—
Light Brush Stroke $\star \diamond$	—	—	—	—	—	—	—	—	—	—	—
Heavy Brush Stroke $\star \diamond$	—	—	—	—	—	—	—	—	—	—	—
Distressed	—	—	—	—	—	—	—	—	—	—	—
Pencil Edge Sanding \star	+8%	+8%	—	+8%	—	—	—	—	—	—	—

\times = not available on paint finishes. \diamond = increases lead time by 10 days. \bullet = Increases lead times by 5 days.

\star = only available on paint finishes; see Finish Specifications section for color availability. Not available on rustic.

\times Paint finishes are not available on rustic and require an Agreement of Understanding.

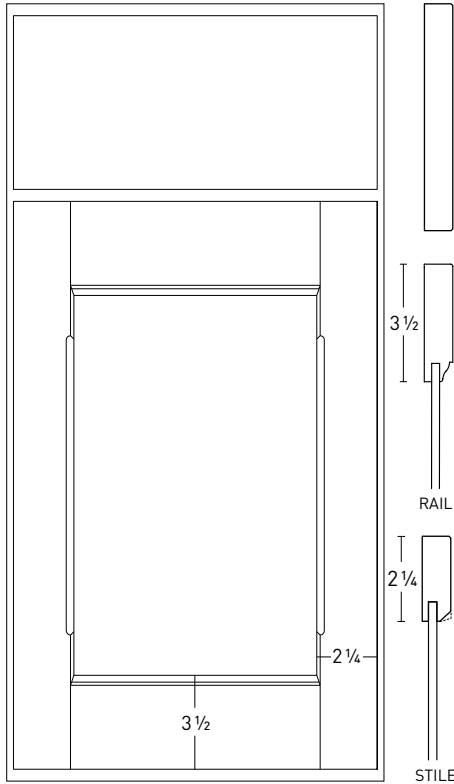
Door Styles

PREFERRED BY KARMAN

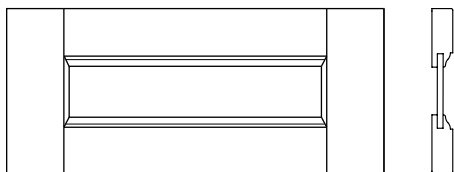
BELMONT

Standard Feature: **S**

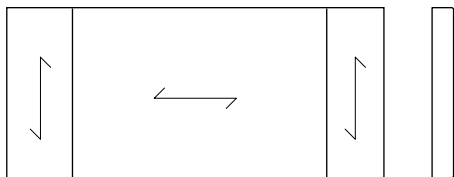
Not Available: **-**



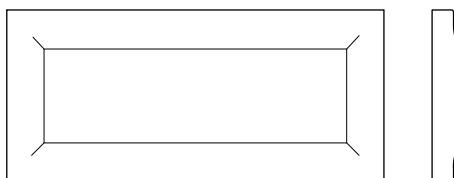
Edge Profile: C
Rail Framing Bead: Ogee
Stile Framing Bead: Chamfer Stiles
(No Chamfer on Drawers)
Panel: 992 (5.2 mm)



Optional 5-Piece Drawer Front
See Drawer Height Chart #4



Optional Trinity Front (3-Piece)
← → = Grain Direction



Optional Marcel Drawer Front (1" Thick)

STANDARD INFORMATION:

Overlay	Full
Panel Type	5.2mm Recessed Panel
Standard Drawer Fronts	Slab

OPTIONS: (by request)

Drawer Front Upgrade (Per Drawer)	5 Piece: \$60	Trinity (3 Piece): \$50	Marcel (1" Thick): \$40
Edge Profile Change (Per Door/Drawer)	Available -\$30		
Inset ◇	Flush: +20%	Beaded (1/4" or 3/8"): +30%	Chamfer, Ogee, Stepped: +40%
Solid Reverse Panel (SRP)	+20%		
Beaded Panels ▲	+5%		
Arched Doors	-		
Victorian	-		

Price Group C

	PAINIT GRADE	OAK	HICKORY	MAPLE	ALDER	CHERRY	1/4-SAWN OAK	WALNUT	BAMBOO	RED BIRCH	LYPTUS
Clear	+0%	+0%	+7%	+7%	+7%	+15%	+40%	+40%	+40%	+40%	+40%
Rustic	-	+0%	+7%▲	+7%	+7%	+15%	-	+40%	-	-	-

STAIN FINISHES:

Cocoa	-	S	S	S	S	S	S	S	S	S	S
Ecru NEW	-	S	S	S	S	S	S	S	S	S	S
Stone NEW	-	S	S	S	S	S	S	S	S	S	S
Graphite	-	S	S	S	S	S	S	S	S	S	S
Greystone	-	S	S	S	S	S	S	S	S	S	S
Honey	-	S	S	S	S	S	S	S	S	S	S
Ivory	-	S	S	S	S	S	S	S	S	S	S
Java	-	S	S	S	S	S	S	S	S	S	S
Kodiak	-	S	S	S	S	S	S	S	S	S	S
Lilac NEW	-	S	S	S	S	S	S	S	S	S	S
Limestone	-	S	S	S	S	S	S	S	S	S	S
Natural	-	S	S	S	S	S	S	S	S	S	S
Umber NEW	-	S	S	S	S	S	S	S	S	S	S
Sage	-	S	S	S	S	S	S	S	S	S	S
Salem	-	S	S	S	S	S	S	S	S	S	S
Shale	-	S	S	S	S	S	S	S	S	S	S
Porcini NEW	-	S	S	S	S	S	S	S	S	S	S
Spice	-	S	S	S	S	S	S	S	S	S	S
Obsidian NEW	-	S	S	S	S	S	S	S	S	S	S
Straw NEW	-	S	S	S	S	S	S	S	S	S	S

PAINT FINISHES:

Azure NEW	+18%	+18%	-	+18%	+18%	-	-	-	-	-	-
Bright White NEW	+18%	+18%	-	+18%	+18%	-	-	-	-	-	-
Gibraltar Cliffs NEW	+18%	+18%	-	+18%	+18%	-	-	-	-	-	-
Glacier	+18%	+18%	-	+18%	+18%	-	-	-	-	-	-
Kendall Charcoal	+18%	+18%	-	+18%	+18%	-	-	-	-	-	-
Midnight	+18%	+18%	-	+18%	+18%	-	-	-	-	-	-
Olive NEW	+18%	+18%	-	+18%	+18%	-	-	-	-	-	-
Revere Pewter NEW	+18%	+18%	-	+18%	+18%	-	-	-	-	-	-
Regent Blue NEW	+18%	+18%	-	+18%	+18%	-	-	-	-	-	-
Smoke NEW	+18%	+18%	-	+18%	+18%	-	-	-	-	-	-
Solitude	+18%	+18%	-	+18%	+18%	-	-	-	-	-	-
Stonington Gray	+18%	+18%	-	+18%	+18%	-	-	-	-	-	-
Super White	+18%	+18%	-	+18%	+18%	-	-	-	-	-	-
White Dove	+18%	+18%	-	+18%	+18%	-	-	-	-	-	-
Classic Select Paints ●	+30%	+30%	-	+30%	+30%	-	-	-	-	-	-

FINISH ENHANCEMENTS:

Highlight Glaze	+8%	+8%	+8%	+8%	+8%	+8%	+8%	+8%	+8%	+8%	+8%
Antique Glaze	+15%	+15%	+15%	+15%	+15%	+15%	+15%	+15%	+15%	+15%	+15%
Old World ✕◇	-	+40%	+40%	+40%	+40%	+40%	+40%	+40%	+40%	+40%	+40%
Vintage ★	-	-	-	-	+15%	-	-	-	-	-	-
Bisque ★◇	-	-	-	-	+15%	-	-	-	-	-	-
Light Brush Stroke ★◇	+20%	+20%	-	+20%	-	-	-	-	-	-	-
Heavy Brush Stroke ★◇	+20%	+20%	-	+20%	-	-	-	-	-	-	-
Distressed	+5%	+5%	+5%	+5%	+5%	+5%	+5%	+5%	+5%	+5%	+5%
Pencil Edge Sanding ★	+8%	+8%	-	+8%	-	-	-	-	-	-	-

» ▲ = SRP required. ✕ = not available on paint finishes. ◇ = increases lead time by 10 days. ● = Increases lead times by 5 days.

» ★ = only available on paint finishes, see Finish Specifications section for color availability. Not available on rustic.

» Paint finishes are not available on rustic and require an Agreement of Understanding.

BRECKENRIDGE

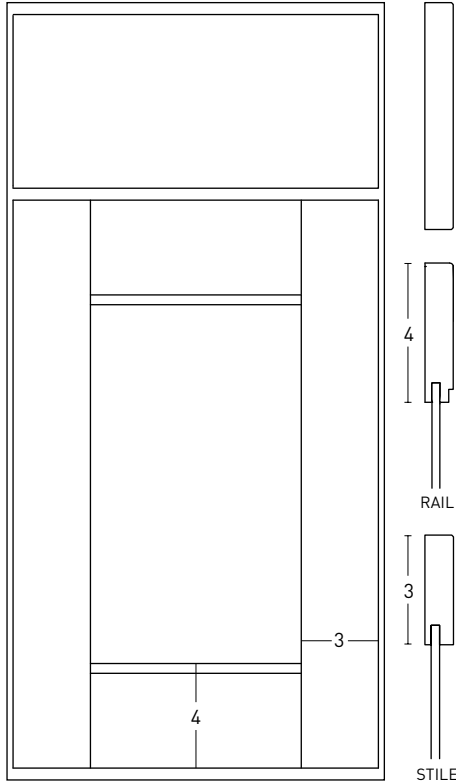
Standard Feature: **S**

Not Available: **—**

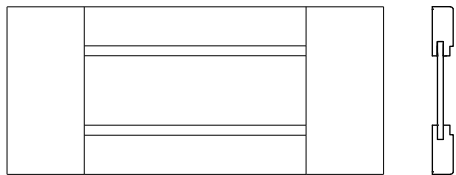
Price Group D

STANDARD INFORMATION:

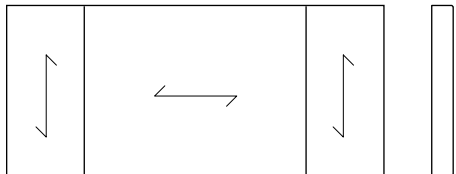
Overlay	Full
Panel Type	5.2 mm Recessed Panel
Standard Drawer Fronts	Slab
OPTIONS: (by request)	
Drawer Front Upgrade (Per Drawer)	5-Piece: \$60 Trinity (3-Piece): \$50 Marcel (1" Thick): \$40
Edge Profile Change (Per Door/Drawer)	Available -\$30
Inset \diamond	Flush: +20% Beaded (1/4" or 3/8"): +30% Chamfer, Ogee, Stepped: +40%
Solid Reverse Panel (SRP)	+20%
Beaded Panels \blacktriangle	+5%
Arched Doors	—
Victorian	\$95 per door



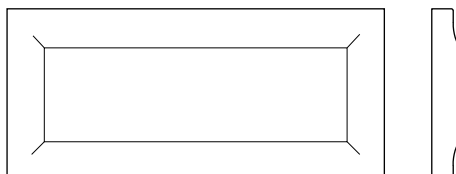
Edge Profile: C
 Rail Framing Bead: Stepped
 Stile Framing Bead: Square
 Panel: 992 (5.2 mm)



Optional 5-Piece Drawer Front
 See Drawer Height Chart #4



Optional Trinity Front (3-Piece)
 ↙ ↘ = Grain Direction



Optional Marcel Drawer Front (1" Thick)

	PAIN	GRADE	OAK	HICKORY	MAPLE	ALDER	CHERRY	1/2-SAM	WALNUT	BAMBOO	RED BIRCH	LYPTUS
Clear	+0%	+0%	+7%	+7%	+7%	+15%	+40%	+40%	+40%	+40%	+40%	+40%
Rustic	—	+0%	+7% \blacktriangle	+7%	+7%	+15%	—	+40%	—	—	—	—

STAIN FINISHES:

Cocoa	—	S	S	S	S	S	S	S	S	S	S	S
Ecru NEW	—	S	S	S	S	S	S	S	S	S	S	S
Stone NEW	—	S	S	S	S	S	S	S	S	S	S	S
Graphite	—	S	S	S	S	S	S	S	S	S	S	S
Greystone	—	S	S	S	S	S	S	S	S	S	S	S
Honey	—	S	S	S	S	S	S	S	S	S	S	S
Ivory	—	S	S	S	S	S	S	S	S	S	S	S
Java	—	S	S	S	S	S	S	S	S	S	S	S
Kodiak	—	S	S	S	S	S	S	S	S	S	S	S
Lilac NEW	—	S	S	S	S	S	S	S	S	S	S	S
Limestone	—	S	S	S	S	S	S	S	S	S	S	S
Natural	—	S	S	S	S	S	S	S	S	S	S	S
Umber NEW	—	S	S	S	S	S	S	S	S	S	S	S
Sage	—	S	S	S	S	S	S	S	S	S	S	S
Salem	—	S	S	S	S	S	S	S	S	S	S	S
Shale	—	S	S	S	S	S	S	S	S	S	S	S
Porcini NEW	—	S	S	S	S	S	S	S	S	S	S	S
Spice	—	S	S	S	S	S	S	S	S	S	S	S
Obsidian NEW	—	S	S	S	S	S	S	S	S	S	S	S
Straw NEW	—	S	S	S	S	S	S	S	S	S	S	S

PAINT FINISHES:

Azure NEW	+18%	+18%	—	+18%	+18%	—	—	—	—	—	—	—
Bright White NEW	+18%	+18%	—	+18%	+18%	—	—	—	—	—	—	—
Gibraltar Cliffs NEW	+18%	+18%	—	+18%	+18%	—	—	—	—	—	—	—
Glacier	+18%	+18%	—	+18%	+18%	—	—	—	—	—	—	—
Kendall Charcoal	+18%	+18%	—	+18%	+18%	—	—	—	—	—	—	—
Midnight	+18%	+18%	—	+18%	+18%	—	—	—	—	—	—	—
Olive NEW	+18%	+18%	—	+18%	+18%	—	—	—	—	—	—	—
Revere Pewter NEW	+18%	+18%	—	+18%	+18%	—	—	—	—	—	—	—
Regent Blue NEW	+18%	+18%	—	+18%	+18%	—	—	—	—	—	—	—
Smoke NEW	+18%	+18%	—	+18%	+18%	—	—	—	—	—	—	—
Solitude	+18%	+18%	—	+18%	+18%	—	—	—	—	—	—	—
Stonington Gray	+18%	+18%	—	+18%	+18%	—	—	—	—	—	—	—
Super White	+18%	+18%	—	+18%	+18%	—	—	—	—	—	—	—
White Dove	+18%	+18%	—	+18%	+18%	—	—	—	—	—	—	—
Classic Select Paints \bullet	+30%	+30%	—	+30%	+30%	—	—	—	—	—	—	—

FINISH ENHANCEMENTS:

Highlight Glaze	+8%	+8%	+8%	+8%	+8%	+8%	+8%	+8%	+8%	+8%	+8%	+8%
Antique Glaze	+15%	+15%	+15%	+15%	+15%	+15%	+15%	+15%	+15%	+15%	+15%	+15%
Old World $\times \diamond$	—	+40%	+40%	+40%	+40%	+40%	+40%	+40%	+40%	+40%	+40%	+40%
Vintage \star	—	—	—	—	+15%	—	—	—	—	—	—	—
Bisque $\star \diamond$	—	—	—	—	+15%	—	—	—	—	—	—	—
Light Brush Stroke $\star \diamond$	+20%	+20%	—	+20%	—	—	—	—	—	—	—	—
Heavy Brush Stroke $\star \diamond$	+20%	+20%	—	+20%	—	—	—	—	—	—	—	—
Distressed	+5%	+5%	+5%	+5%	+5%	+5%	+5%	+5%	+5%	+5%	+5%	+5%
Pencil Edge Sanding \star	+8%	+8%	—	+8%	—	—	—	—	—	—	—	—

\blacktriangle = SRP required. \times = not available on paint finishes. \diamond = increases lead time by 10 days. \bullet = Increases lead times by 5 days.
 \star = only available on paint finishes; see Finish Specifications section for color availability. Not available on rustic.
 \times Paint finishes are not available on rustic and require an Agreement of Understanding

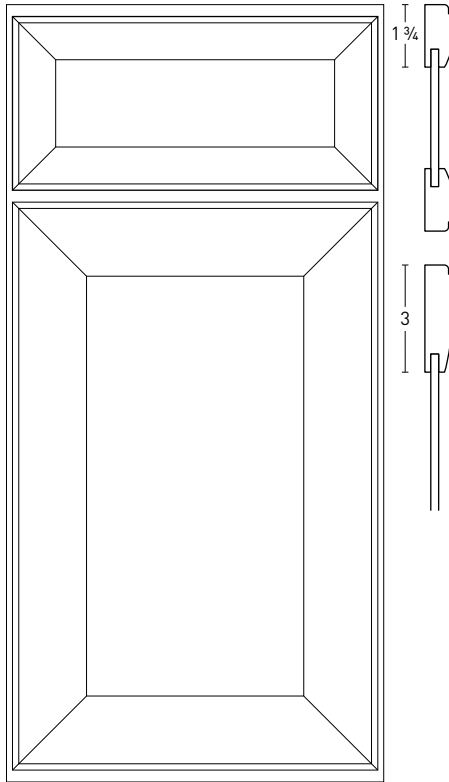
Door Styles

PREFERRED BY KARMAN

BRIDGEPORT

Standard Feature: **S**

Not Available: **-**



Edge Profile: Door Specific
Framing Bead: Door Specific
Panel: 992 (5.2 mm)

STANDARD INFORMATION:

Overlay	Full
Panel Type	5.2mm Recessed Panel
Standard Drawer Fronts	5-Piece

OPTIONS: (by request)

Drawer Front Upgrade (Per Drawer)	-
Edge Profile Change (Per Door/Drawer)	-

Solid Reverse Panel (SRP)	+20%
Beaded Panels ▲	+5%
Arched Doors	-
Victorian	-

Price Group C

	PAIN	GRA	OAK	HICKORY	MAPLE	ALDER	CHE	RY	1/4-SAWNOAK	WALNUT	BAMBOO	RED BIRCH	LYPTUS
Clear	+0%	+0%	+7%	+7%	+7%	+7%	+15%	+40%	+40%	-	+40%	+40%	-
Rustic	-	+0%	+7%▲	+7%	+7%	+15%	-	+40%	-	-	-	-	-

STAIN FINISHES:

Cocoa	-	S	S	S	S	S	S	S	S	-	S	S	S
Ecru NEW	-	S	S	S	S	S	S	S	S	-	S	S	S
Stone NEW	-	S	S	S	S	S	S	S	S	-	S	S	S
Graphite	-	S	S	S	S	S	S	S	S	-	S	S	S
Greystone	-	S	S	S	S	S	S	S	S	-	S	S	S
Honey	-	S	S	S	S	S	S	S	S	-	S	S	S
Ivory	-	S	S	S	S	S	S	S	S	-	S	S	S
Java	-	S	S	S	S	S	S	S	S	-	S	S	S
Kodiak	-	S	S	S	S	S	S	S	S	-	S	S	S
Lilac NEW	-	S	S	S	S	S	S	S	S	-	S	S	S
Limestone	-	S	S	S	S	S	S	S	S	-	S	S	S
Natural	-	S	S	S	S	S	S	S	S	-	S	S	S
Umber NEW	-	S	S	S	S	S	S	S	S	-	S	S	S
Sage	-	S	S	S	S	S	S	S	S	-	S	S	S
Salem	-	S	S	S	S	S	S	S	S	-	S	S	S
Shale	-	S	S	S	S	S	S	S	S	-	S	S	S
Porcini NEW	-	S	S	S	S	S	S	S	S	-	S	S	S
Spice	-	S	S	S	S	S	S	S	S	-	S	S	S
Obsidian NEW	-	S	S	S	S	S	S	S	S	-	S	S	S
Straw NEW	-	S	S	S	S	S	S	S	S	-	S	S	S

PAINT FINISHES:

Azure NEW	+18%	+18%	-	+18%	+18%	-	-	-	-	-	-	-	-
Bright White NEW	+18%	+18%	-	+18%	+18%	-	-	-	-	-	-	-	-
Gibraltar Cliffs NEW	+18%	+18%	-	+18%	+18%	-	-	-	-	-	-	-	-
Glacier	+18%	+18%	-	+18%	+18%	-	-	-	-	-	-	-	-
Kendall Charcoal	+18%	+18%	-	+18%	+18%	-	-	-	-	-	-	-	-
Midnight	+18%	+18%	-	+18%	+18%	-	-	-	-	-	-	-	-
Olive NEW	+18%	+18%	-	+18%	+18%	-	-	-	-	-	-	-	-
Revere Pewter NEW	+18%	+18%	-	+18%	+18%	-	-	-	-	-	-	-	-
Regent Blue NEW	+18%	+18%	-	+18%	+18%	-	-	-	-	-	-	-	-
Smoke NEW	+18%	+18%	-	+18%	+18%	-	-	-	-	-	-	-	-
Solitude	+18%	+18%	-	+18%	+18%	-	-	-	-	-	-	-	-
Stonington Gray	+18%	+18%	-	+18%	+18%	-	-	-	-	-	-	-	-
Super White	+18%	+18%	-	+18%	+18%	-	-	-	-	-	-	-	-
White Dove	+18%	+18%	-	+18%	+18%	-	-	-	-	-	-	-	-
Classic Select Paints ●	+30%	+30%	-	+30%	+30%	-	-	-	-	-	-	-	-

FINISH ENHANCEMENTS:

Highlight Glaze	+8%	+8%	+8%	+8%	+8%	+8%	+8%	+8%	-	+8%	+8%
Antique Glaze	+15%	+15%	+15%	+15%	+15%	+15%	+15%	+15%	-	+15%	+15%
Old World ✕◇	-	+40%	+40%	+40%	+40%	+40%	+40%	+40%	-	+40%	+40%
Vintage ★	-	-	-	-	+15%	-	-	-	-	-	-
Bisque ★◇	-	-	-	-	+15%	-	-	-	-	-	-
Light Brush Stroke ★◇	+20%	+20%	-	+20%	-	-	-	-	-	-	-
Heavy Brush Stroke ★◇	+20%	+20%	-	+20%	-	-	-	-	-	-	-
Distressed	+5%	+5%	+5%	+5%	+5%	+5%	+5%	+5%	-	+5%	+5%
Pencil Edge Sanding ★	+8%	+8%	-	+8%	-	-	-	-	-	-	-

» ▲ = SRP required. ✕ = not available on paint finishes. ◇ = increases lead time by 10 days. ● = Increases lead times by 5 days.

» ★ = only available on paint finishes, see Finish Specifications section for color availability. Not available on rustic.

» Paint finishes are not available on rustic and require an Agreement of Understanding.

BROOKFIELD

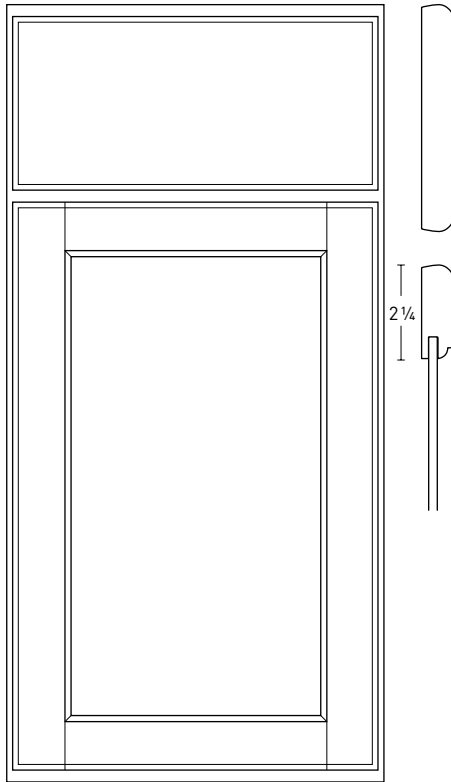
Standard Feature: **S**

Not Available: **—**

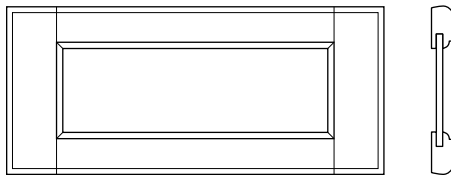
Price Group B

STANDARD INFORMATION:

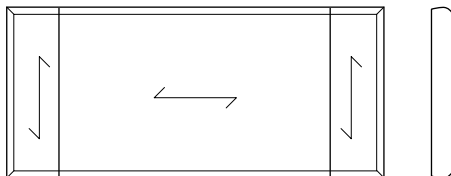
Overlay	Full
Panel Type	5.2 mm Recessed Panel
Standard Drawer Fronts	Slab
OPTIONS: (by request)	
Drawer Front Upgrade (Per Drawer)	5-Piece: \$60 Trinity (3-Piece): \$50 Marcel (1" Thick): \$40
Edge Profile Change (Per Door/Drawer)	Available -\$30
Inset \diamond	Flush: +20% Beaded (1/4" or 3/8"): +30% Chamfer, Ogee, Stepped: +40%
Solid Reverse Panel (SRP)	+20%
Beaded Panels \blacktriangle	+5%
Arched Doors	Roman Arch: \$0 Crescent: \$115 (Per Door)
Victorian	\$95 per door



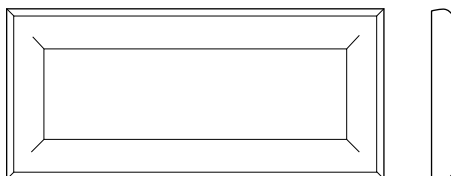
Edge Profile: B
Framing Bead: Regular
Panel: 992 [5.2 mm]



Optional 5-Piece Drawer Front
See Drawer Height Chart #1



Optional Trinity Front (3-Piece)
↙ ↘ = Grain Direction



Optional Marcel Drawer Front (1" Thick)

	PAIN T GRADE	OAK	HICKORY	MAPLE	ALDER	CHERRY	1/2-SAMMOAK	WALNUT	BAMBOO \square	RED BIRCH \square	LYPTUS \square
Clear	+0%	+0%	+7%	+7%	+7%	+15%	+40%	+40%	+40%	+40%	+40%
Rustic	—	+0%	+7% \blacktriangle	+7%	+7%	+15%	—	+40%	—	—	—

STAIN FINISHES:

Cocoa	—	S	S	S	S	S	S	S	S	S	S
Ecru NEW	—	S	S	S	S	S	S	S	S	S	S
Stone NEW	—	S	S	S	S	S	S	S	S	S	S
Graphite	—	S	S	S	S	S	S	S	S	S	S
Greystone	—	S	S	S	S	S	S	S	S	S	S
Honey	—	S	S	S	S	S	S	S	S	S	S
Ivory	—	S	S	S	S	S	S	S	S	S	S
Java	—	S	S	S	S	S	S	S	S	S	S
Kodiak	—	S	S	S	S	S	S	S	S	S	S
Lilac NEW	—	S	S	S	S	S	S	S	S	S	S
Limestone	—	S	S	S	S	S	S	S	S	S	S
Natural	—	S	S	S	S	S	S	S	S	S	S
Umber NEW	—	S	S	S	S	S	S	S	S	S	S
Sage	—	S	S	S	S	S	S	S	S	S	S
Salem	—	S	S	S	S	S	S	S	S	S	S
Shale	—	S	S	S	S	S	S	S	S	S	S
Porcini NEW	—	S	S	S	S	S	S	S	S	S	S
Spice	—	S	S	S	S	S	S	S	S	S	S
Obsidian NEW	—	S	S	S	S	S	S	S	S	S	S
Straw NEW	—	S	S	S	S	S	S	S	S	S	S

PAINT FINISHES:

Azure NEW	+18%	+18%	—	+18%	+18%	—	—	—	—	—	—
Bright White NEW	+18%	+18%	—	+18%	+18%	—	—	—	—	—	—
Gibraltar Cliffs NEW	+18%	+18%	—	+18%	+18%	—	—	—	—	—	—
Glacier	+18%	+18%	—	+18%	+18%	—	—	—	—	—	—
Kendall Charcoal	+18%	+18%	—	+18%	+18%	—	—	—	—	—	—
Midnight	+18%	+18%	—	+18%	+18%	—	—	—	—	—	—
Olive NEW	+18%	+18%	—	+18%	+18%	—	—	—	—	—	—
Revere Pewter NEW	+18%	+18%	—	+18%	+18%	—	—	—	—	—	—
Regent Blue NEW	+18%	+18%	—	+18%	+18%	—	—	—	—	—	—
Smoke NEW	+18%	+18%	—	+18%	+18%	—	—	—	—	—	—
Solitude	+18%	+18%	—	+18%	+18%	—	—	—	—	—	—
Stonington Gray	+18%	+18%	—	+18%	+18%	—	—	—	—	—	—
Super White	+18%	+18%	—	+18%	+18%	—	—	—	—	—	—
White Dove	+18%	+18%	—	+18%	+18%	—	—	—	—	—	—
Classic Select Paints \bullet	+30%	+30%	—	+30%	+30%	—	—	—	—	—	—

FINISH ENHANCEMENTS:

Highlight Glaze	+8%	+8%	+8%	+8%	+8%	+8%	+8%	+8%	+8%	+8%	+8%
Antique Glaze	+15%	+15%	+15%	+15%	+15%	+15%	+15%	+15%	+15%	+15%	+15%
Old World $\times \diamond$	—	+40%	+40%	+40%	+40%	+40%	+40%	+40%	+40%	+40%	+40%
Vintage \star	—	—	—	—	+15%	—	—	—	—	—	—
Bisque $\star \diamond$	—	—	—	—	+15%	—	—	—	—	—	—
Light Brush Stroke $\star \diamond$	+20%	+20%	—	+20%	—	—	—	—	—	—	—
Heavy Brush Stroke $\star \diamond$	+20%	+20%	—	+20%	—	—	—	—	—	—	—
Distressed	+5%	+5%	+5%	+5%	+5%	+5%	+5%	+5%	+5%	+5%	+5%
Pencil Edge Sanding \star	+8%	+8%	—	+8%	—	—	—	—	—	—	—

\blacktriangle = SRP required. \times = not available on paint finishes. \diamond = increases lead time by 10 days. \bullet = Increases lead times by 5 days.
 \star = only available on paint finishes; see Finish Specifications section for color availability. Not available on rustic.
 \times Paint finishes are not available on rustic and require an Agreement of Understanding.

Door Styles

PREFERRED BY KARMAN

CAMDEN

Standard Feature: **S**

Not Available: **-**

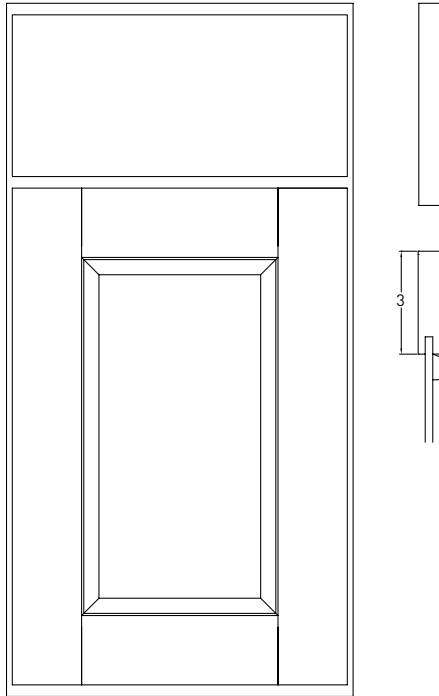
Price Group E

STANDARD INFORMATION:

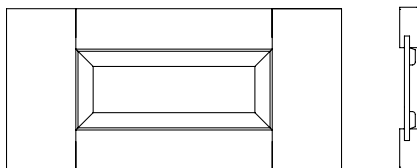
Overlay	Full
Panel Type	5.2mm Recessed Panel
Standard Drawer Fronts	Slab

OPTIONS: (by request)

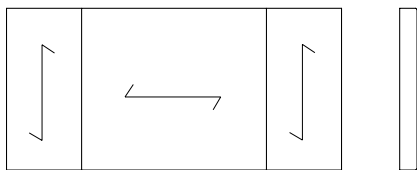
Drawer Front Upgrade (Per Drawer)	5 Piece: \$60	Trinity (3 Piece): \$50	Marcel (1" Thick): \$40
Edge Profile Change (Per Door/Drawer)	Available -\$30		
Inset \diamond	Flush: +20%	Beaded (1/4" or 3/8"): +30%	Chamfer, Ogee, Stepped: +40%
Solid Reverse Panel (SRP)	+20%		
Beaded Panels \blacktriangle	+5%		
Arched Doors	-		
2 Tone	\$115 per door/ 5-piece Drawer		



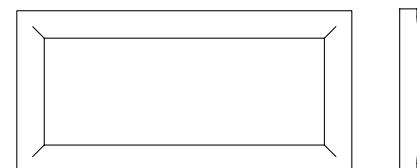
Edge Profile: C
Framing Bead: Door Specific
Panel 992 (5.2 mm)



Optional 5 - Piece Drawer Front
See Drawer Height Chart # 3



Optional Trinity Front (3 - Piece)
↔ = Grain Direction



Optional Marcel Front (1" Thick)

	PAINT GRADE	OAK	HICKORY	MAPLE	ALDER	CHERRY	1/4-SAWN OAK	WALNUT	BAMBOO \square	RED BIRCH \square	LYPTUS \square
Clear	+0%	+0%	+7%	+7%	+7%	+15%	+40%	+40%	-	+40%	+40%
Rustic	-	+0%	+7% \blacktriangle	+7%	+7%	+15%	-	+40%	-	-	-

STAIN FINISHES:

Cocoa	-	S	S	S	S	S	S	S	-	S	S
Ecru NEW	-	S	S	S	S	S	S	S	-	S	S
Stone NEW	-	S	S	S	S	S	S	S	-	S	S
Graphite	-	S	S	S	S	S	S	S	-	S	S
Greystone	-	S	S	S	S	S	S	S	-	S	S
Honey	-	S	S	S	S	S	S	S	-	S	S
Ivory	-	S	S	S	S	S	S	S	-	S	S
Java	-	S	S	S	S	S	S	S	-	S	S
Kodiak	-	S	S	S	S	S	S	S	-	S	S
Lilac NEW	-	S	S	S	S	S	S	S	-	S	S
Limestone	-	S	S	S	S	S	S	S	-	S	S
Natural	-	S	S	S	S	S	S	S	-	S	S
Umber NEW	-	S	S	S	S	S	S	S	-	S	S
Sage	-	S	S	S	S	S	S	S	-	S	S
Salem	-	S	S	S	S	S	S	S	-	S	S
Shale	-	S	S	S	S	S	S	S	-	S	S
Porcini NEW	-	S	S	S	S	S	S	S	-	S	S
Spice	-	S	S	S	S	S	S	S	-	S	S
Obsidian NEW	-	S	S	S	S	S	S	S	-	S	S
Straw NEW	-	S	S	S	S	S	S	S	-	S	S

PAINT FINISHES:

Azure NEW	+18%	+18%	-	+18%	+18%	-	-	-	-	-	-
Bright White NEW	+18%	+18%	-	+18%	+18%	-	-	-	-	-	-
Gibraltar Cliffs NEW	+18%	+18%	-	+18%	+18%	-	-	-	-	-	-
Glacier	+18%	+18%	-	+18%	+18%	-	-	-	-	-	-
Kendall Charcoal	+18%	+18%	-	+18%	+18%	-	-	-	-	-	-
Midnight	+18%	+18%	-	+18%	+18%	-	-	-	-	-	-
Olive NEW	+18%	+18%	-	+18%	+18%	-	-	-	-	-	-
Revere Pewter NEW	+18%	+18%	-	+18%	+18%	-	-	-	-	-	-
Regent Blue NEW	+18%	+18%	-	+18%	+18%	-	-	-	-	-	-
Smoke NEW	+18%	+18%	-	+18%	+18%	-	-	-	-	-	-
Solitude	+18%	+18%	-	+18%	+18%	-	-	-	-	-	-
Stonington Gray	+18%	+18%	-	+18%	+18%	-	-	-	-	-	-
Super White	+18%	+18%	-	+18%	+18%	-	-	-	-	-	-
White Dove	+18%	+18%	-	+18%	+18%	-	-	-	-	-	-
Classic Select Paints \bullet	+30%	+30%	-	+30%	+30%	-	-	-	-	-	-

FINISH ENHANCEMENTS:

Highlight Glaze	+8%	+8%	+8%	+8%	+8%	+8%	+8%	+8%	-	+8%	+8%
Antique Glaze	+15%	+15%	+15%	+15%	+15%	+15%	+15%	+15%	-	+15%	+15%
Old World $\times \diamond$	-	+40%	+40%	+40%	+40%	+40%	+40%	+40%	-	+40%	+40%
Vintage \star	-	-	-	-	+15%	-	-	-	-	-	-
Bisque $\star \diamond$	-	-	-	-	+15%	-	-	-	-	-	-
Light Brush Stroke $\star \diamond$	+20%	+20%	-	+20%	-	-	-	-	-	-	-
Heavy Brush Stroke $\star \diamond$	+20%	+20%	-	+20%	-	-	-	-	-	-	-
Distressed	+5%	+5%	+5%	+5%	+5%	+5%	+5%	+5%	-	+5%	+5%
Pencil Edge Sanding \star	+8%	+8%	-	+8%	-	-	-	-	-	-	-

» \blacktriangle = SRP required. \times = not available on paint finishes. \diamond = increases lead time by 10 days. \bullet = Increases lead times by 5 days.

» \star = only available on paint finishes, see Finish Specifications section for color availability. Not available on rustic.

» Paint finishes are not available on rustic and require an Agreement of Understanding.

CATALINA

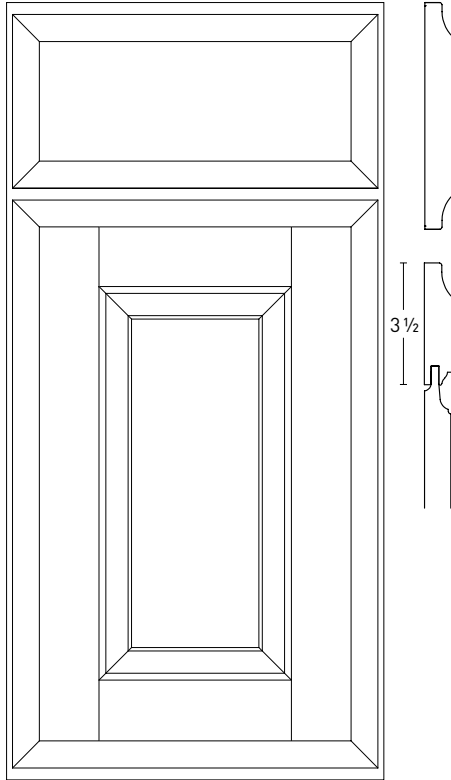
Standard Feature: **S**

Not Available: **—**

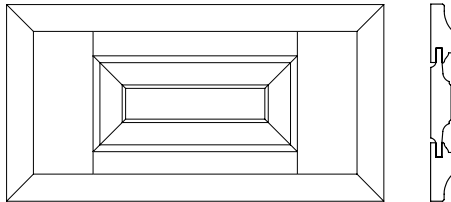
Price Group D

STANDARD INFORMATION:

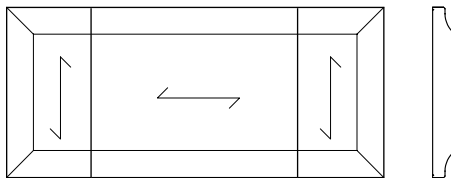
Overlay	Full
Panel Type	Raised Panel
Standard Drawer Fronts	Slab
OPTIONS: (by request)	
Drawer Front Upgrade (Per Drawer)	5-Piece: \$60 Trinity (3-Piece): \$50
Edge Profile Change (Per Door/Drawer)	Available -\$30
Inset \diamond	Flush: +20% Beaded (1/4" or 3/8"): +30% Chamfer, Ogee, Stepped: +40%
Solid Reverse Panel (SRP)	—
Beaded Panels	—
Arched Doors	Crescent: \$115 (Per Door)
Victorian	\$95 per door



Edge Profile: H
Framing Bead: Ogee
Panel: 996



Optional 5-Piece Drawer Front
See Drawer Height Chart #4



Optional Trinity Front (3-Piece)
↔ = Grain Direction

	PAINT GRADE		OAK	HICKORY	MAPLE	ALDER	CHERRY	1/2-SAMMOAK	WALNUT	BAMBOO \square	RED BIRCH \square	LYPTUS \square
Clear	+0%	+0%	+7%	+7%	+7%	+15%	+40%	+40%	—	+40%	+40%	
Rustic	—	+0%	+7%	+7%	+7%	+15%	—	+40%	—	—	—	

STAIN FINISHES:

Cocoa	—	S	S	S	S	S	S	S	—	S	S	
Ecru NEW	—	S	S	S	S	S	S	S	—	S	S	
Stone NEW	—	S	S	S	S	S	S	S	—	S	S	
Graphite	—	S	S	S	S	S	S	S	—	S	S	
Greystone	—	S	S	S	S	S	S	S	—	S	S	
Honey	—	S	S	S	S	S	S	S	—	S	S	
Ivory	—	S	S	S	S	S	S	S	—	S	S	
Java	—	S	S	S	S	S	S	S	—	S	S	
Kodiak	—	S	S	S	S	S	S	S	—	S	S	
Lilac NEW	—	S	S	S	S	S	S	S	—	S	S	
Limestone	—	S	S	S	S	S	S	S	—	S	S	
Natural	—	S	S	S	S	S	S	S	—	S	S	
Umber NEW	—	S	S	S	S	S	S	S	—	S	S	
Sage	—	S	S	S	S	S	S	S	—	S	S	
Salem	—	S	S	S	S	S	S	S	—	S	S	
Shale	—	S	S	S	S	S	S	S	—	S	S	
Porcini NEW	—	S	S	S	S	S	S	S	—	S	S	
Spice	—	S	S	S	S	S	S	S	—	S	S	
Obsidian NEW	—	S	S	S	S	S	S	S	—	S	S	
Straw NEW	—	S	S	S	S	S	S	S	—	S	S	

PAINT FINISHES:

Azure NEW	+18%	+18%	—	+18%	+18%	—	—	—	—	—	—	
Bright White NEW	+18%	+18%	—	+18%	+18%	—	—	—	—	—	—	
Gibraltar Cliffs NEW	+18%	+18%	—	+18%	+18%	—	—	—	—	—	—	
Glacier	+18%	+18%	—	+18%	+18%	—	—	—	—	—	—	
Kendall Charcoal	+18%	+18%	—	+18%	+18%	—	—	—	—	—	—	
Midnight	+18%	+18%	—	+18%	+18%	—	—	—	—	—	—	
Olive NEW	+18%	+18%	—	+18%	+18%	—	—	—	—	—	—	
Revere Pewter NEW	+18%	+18%	—	+18%	+18%	—	—	—	—	—	—	
Regent Blue NEW	+18%	+18%	—	+18%	+18%	—	—	—	—	—	—	
Smoke NEW	+18%	+18%	—	+18%	+18%	—	—	—	—	—	—	
Solitude	+18%	+18%	—	+18%	+18%	—	—	—	—	—	—	
Stonington Gray	+18%	+18%	—	+18%	+18%	—	—	—	—	—	—	
Super White	+18%	+18%	—	+18%	+18%	—	—	—	—	—	—	
White Dove	+18%	+18%	—	+18%	+18%	—	—	—	—	—	—	
Classic Select Paints \bullet	+30%	+30%	—	+30%	+30%	—	—	—	—	—	—	

FINISH ENHANCEMENTS:

Highlight Glaze	+8%	+8%	+8%	+8%	+8%	+8%	+8%	+8%	—	+8%	+8%	
Antique Glaze	+15%	+15%	+15%	+15%	+15%	+15%	+15%	+15%	—	+15%	+15%	
Old World $\times \diamond$	—	+40%	+40%	+40%	+40%	+40%	+40%	+40%	—	+40%	+40%	
Vintage \star	—	—	—	—	+15%	—	—	—	—	—	—	
Bisque $\star \diamond$	—	—	—	—	+15%	—	—	—	—	—	—	
Light Brush Stroke $\star \diamond$	+20%	+20%	—	+20%	—	—	—	—	—	—	—	
Heavy Brush Stroke $\star \diamond$	+20%	+20%	—	+20%	—	—	—	—	—	—	—	
Distressed	+5%	+5%	+5%	+5%	+5%	+5%	+5%	+5%	—	+5%	+5%	
Pencil Edge Sanding \star	+8%	+8%	—	+8%	—	—	—	—	—	—	—	

\times = not available on paint finishes. \diamond = increases lead time by 10 days. \bullet = Increases lead times by 5 days.

\star = only available on paint finishes; see Finish Specifications section for color availability. Not available on rustic.

$\star \diamond$ = Paint finishes are not available on rustic and require an Agreement of Understanding.

Door Styles

PREFERRED BY KARMAN

CHATHAM

Standard Feature: **S**

Not Available: **-**

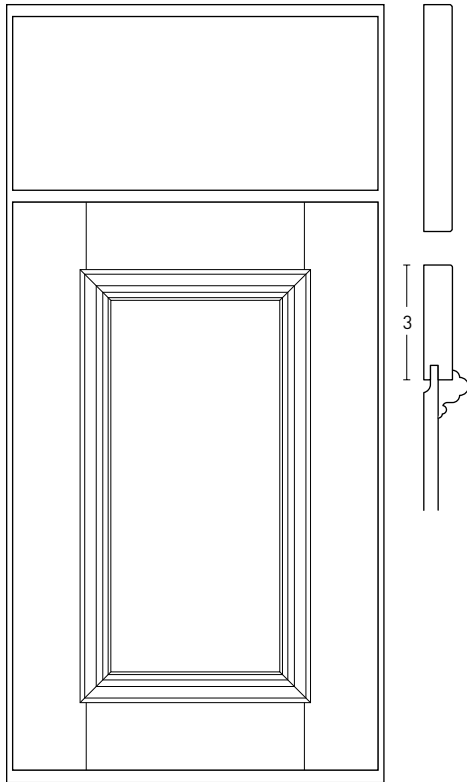
Price Group F

STANDARD INFORMATION:

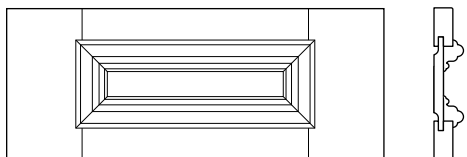
Overlay	Full
Panel Type	Solid Reverse Panel
Standard Drawer Fronts	Slab

OPTIONS: (by request)

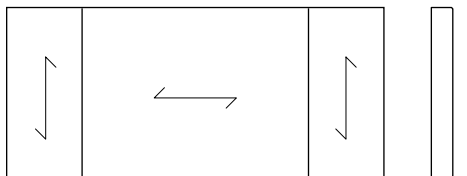
Drawer Front Upgrade (Per Drawer)	5-Piece: \$60	Trinity (3-Piece): \$50	Marcel (1" Thick): \$40
Edge Profile Change (Per Door/Drawer)	Available -\$30		
Inset \diamond	Flush: +20%	Beaded (1/4" or 3/8"): +30%	Chamfer, Ogee, Stepped: +40%
Solid Reverse Panel (SRP)	Standard Feature		
Beaded Panels	+5%		
2 Tone	\$115 per door/ 5-Piece Drawer		
Victorian	\$95 per door		



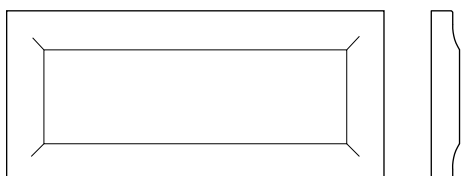
Edge Profile: C
Framing Bead: Door Specific
Panel: 997 (SRP)



Optional 5-Piece Drawer Front
See Drawer Height Chart #3



Optional Trinity Front (3-Piece)
↔ = Grain Direction



Optional Marcel Drawer Front (1" Thick)

	PAIN'T GRADE	OAK	HICKORY	MAPLE	ALDER	CHERRY	1/4-SAWN OAK	WALNUT	BAMBOO \square	RED BIRCH \square	LYPTUS \square
Clear	+0%	+0%	+7%	+7%	+7%	+15%	+40%	+40%	-	+40%	+40%
Rustic	-	+0%	+7%	+7%	+7%	+15%	-	+40%	-	-	-

STAIN FINISHES:

	PAIN'T GRADE	OAK	HICKORY	MAPLE	ALDER	CHERRY	1/4-SAWN OAK	WALNUT	BAMBOO \square	RED BIRCH \square	LYPTUS \square
Cocoa	-	S	S	S	S	S	S	S	-	S	S
Ecru NEW	-	S	S	S	S	S	S	S	-	S	S
Stone NEW	-	S	S	S	S	S	S	S	-	S	S
Graphite	-	S	S	S	S	S	S	S	-	S	S
Greystone	-	S	S	S	S	S	S	S	-	S	S
Honey	-	S	S	S	S	S	S	S	-	S	S
Ivory	-	S	S	S	S	S	S	S	-	S	S
Java	-	S	S	S	S	S	S	S	-	S	S
Kodiak	-	S	S	S	S	S	S	S	-	S	S
Lilac NEW	-	S	S	S	S	S	S	S	-	S	S
Limestone	-	S	S	S	S	S	S	S	-	S	S
Natural	-	S	S	S	S	S	S	S	-	S	S
Umber NEW	-	S	S	S	S	S	S	S	-	S	S
Sage	-	S	S	S	S	S	S	S	-	S	S
Salem	-	S	S	S	S	S	S	S	-	S	S
Shale	-	S	S	S	S	S	S	S	-	S	S
Porcini NEW	-	S	S	S	S	S	S	S	-	S	S
Spice	-	S	S	S	S	S	S	S	-	S	S
Obsidian NEW	-	S	S	S	S	S	S	S	-	S	S
Straw NEW	-	S	S	S	S	S	S	S	-	S	S

PAINT FINISHES:

Azure NEW	+18%	+18%	-	+18%	+18%	-	-	-	-	-	-
Bright White NEW	+18%	+18%	-	+18%	+18%	-	-	-	-	-	-
Gibraltar Cliffs NEW	+18%	+18%	-	+18%	+18%	-	-	-	-	-	-
Glacier	+18%	+18%	-	+18%	+18%	-	-	-	-	-	-
Kendall Charcoal	+18%	+18%	-	+18%	+18%	-	-	-	-	-	-
Midnight	+18%	+18%	-	+18%	+18%	-	-	-	-	-	-
Olive NEW	+18%	+18%	-	+18%	+18%	-	-	-	-	-	-
Revere Pewter NEW	+18%	+18%	-	+18%	+18%	-	-	-	-	-	-
Regent Blue NEW	+18%	+18%	-	+18%	+18%	-	-	-	-	-	-
Smoke NEW	+18%	+18%	-	+18%	+18%	-	-	-	-	-	-
Solitude	+18%	+18%	-	+18%	+18%	-	-	-	-	-	-
Stonington Gray	+18%	+18%	-	+18%	+18%	-	-	-	-	-	-
Super White	+18%	+18%	-	+18%	+18%	-	-	-	-	-	-
White Dove	+18%	+18%	-	+18%	+18%	-	-	-	-	-	-
Classic Select Paints \bullet	+30%	+30%	-	+30%	+30%	-	-	-	-	-	-

FINISH ENHANCEMENTS:

Highlight Glaze	+8%	+8%	+8%	+8%	+8%	+8%	+8%	+8%	-	+8%	+8%
Antique Glaze	+15%	+15%	+15%	+15%	+15%	+15%	+15%	+15%	-	+15%	+15%
Old World $\times \diamond$	-	+40%	+40%	+40%	+40%	+40%	+40%	+40%	-	+40%	+40%
Vintage \star	-	-	-	-	+15%	-	-	-	-	-	-
Bisque $\star \diamond$	-	-	-	-	+15%	-	-	-	-	-	-
Light Brush Stroke $\star \diamond$	+20%	+20%	-	+20%	-	-	-	-	-	-	-
Heavy Brush Stroke $\star \diamond$	+20%	+20%	-	+20%	-	-	-	-	-	-	-
Distressed	+5%	+5%	+5%	+5%	+5%	+5%	+5%	+5%	-	+5%	+5%
Pencil Edge Sanding \star	+8%	+8%	-	+8%	-	-	-	-	-	-	-

\times = not available on paint finishes. \diamond = increases lead time by 10 days. \bullet = Increases lead times by 5 days.

\star = only available on paint finishes; see Finish Specifications section for color availability. Not available on rustic.

$\star \diamond$ = Paint finishes are not available on rustic and require an Agreement of Understanding.

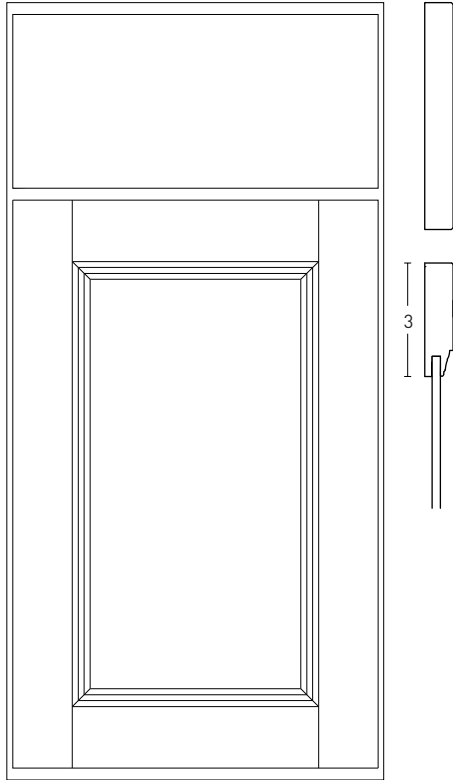
CHESAPEAKE

Standard Feature: **S** Not Available: **—**

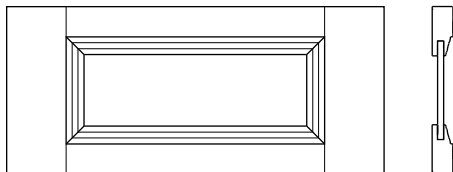
Price Group C

STANDARD INFORMATION:

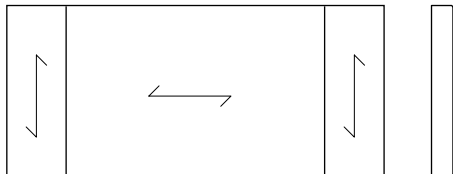
Overlay	Full
Panel Type	5.2 mm Recessed Panel
Standard Drawer Fronts	Slab
OPTIONS: (by request)	
Drawer Front Upgrade (Per Drawer)	5-Piece: \$60 Trinity (3-Piece): \$50 Marcel (1" Thick): \$40
Edge Profile Change (Per Door/Drawer)	Available -\$30
Inset ◇	Flush: +20% Beaded (1/4" or 3/8"): +30% Chamfer, Ogee, Stepped: +40%
Solid Reverse Panel (SRP)	+20%
Beaded Panels ▲	+5%
Arched Doors	—
Victorian	\$95 per door



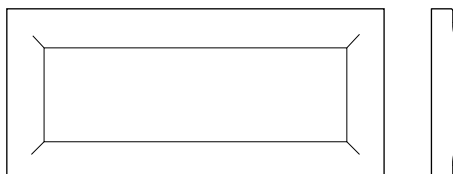
Edge Profile: C
Framing Bead: Elite
Panel: 992 (5.2 mm)



Optional 5-Piece Drawer Front
See Drawer Height Chart #2



Optional Trinity Front (3-Piece)
↔ = Grain Direction



Optional Marcel Drawer Front (1" Thick)

	PAINT GRADE	OAK	HICKORY	MAPLE	ALDER	CHERRY	1/4-SAWN OAK	WALNUT	BAMBOO ◻	RED BIRCH ◻	LYFTUS ◻
Clear	+0%	+0%	+7%	+7%	+7%	+15%	+40%	+40%	+40%	+40%	+40%
Rustic	—	+0%	+7% ▲	+7%	+7%	+15%	—	+40%	—	—	—

STAIN FINISHES:

Cocoa	—	S	S	S	S	S	S	S	S	S	S
Ecru NEW	—	S	S	S	S	S	S	S	S	S	S
Stone NEW	—	S	S	S	S	S	S	S	S	S	S
Graphite	—	S	S	S	S	S	S	S	S	S	S
Greystone	—	S	S	S	S	S	S	S	S	S	S
Honey	—	S	S	S	S	S	S	S	S	S	S
Ivory	—	S	S	S	S	S	S	S	S	S	S
Java	—	S	S	S	S	S	S	S	S	S	S
Kodiak	—	S	S	S	S	S	S	S	S	S	S
Lilac NEW	—	S	S	S	S	S	S	S	S	S	S
Limestone	—	S	S	S	S	S	S	S	S	S	S
Natural	—	S	S	S	S	S	S	S	S	S	S
Umber NEW	—	S	S	S	S	S	S	S	S	S	S
Sage	—	S	S	S	S	S	S	S	S	S	S
Salem	—	S	S	S	S	S	S	S	S	S	S
Shale	—	S	S	S	S	S	S	S	S	S	S
Porcini NEW	—	S	S	S	S	S	S	S	S	S	S
Spice	—	S	S	S	S	S	S	S	S	S	S
Obsidian NEW	—	S	S	S	S	S	S	S	S	S	S
Straw NEW	—	S	S	S	S	S	S	S	S	S	S

PAINT FINISHES:

Azure NEW	+18%	+18%	—	+18%	+18%	—	—	—	—	—	—
Bright White NEW	+18%	+18%	—	+18%	+18%	—	—	—	—	—	—
Gibraltar Cliffs NEW	+18%	+18%	—	+18%	+18%	—	—	—	—	—	—
Glacier	+18%	+18%	—	+18%	+18%	—	—	—	—	—	—
Kendall Charcoal	+18%	+18%	—	+18%	+18%	—	—	—	—	—	—
Midnight	+18%	+18%	—	+18%	+18%	—	—	—	—	—	—
Olive NEW	+18%	+18%	—	+18%	+18%	—	—	—	—	—	—
Revere Pewter NEW	+18%	+18%	—	+18%	+18%	—	—	—	—	—	—
Regent Blue NEW	+18%	+18%	—	+18%	+18%	—	—	—	—	—	—
Smoke NEW	+18%	+18%	—	+18%	+18%	—	—	—	—	—	—
Solitude	+18%	+18%	—	+18%	+18%	—	—	—	—	—	—
Stonington Gray	+18%	+18%	—	+18%	+18%	—	—	—	—	—	—
Super White	+18%	+18%	—	+18%	+18%	—	—	—	—	—	—
White Dove	+18%	+18%	—	+18%	+18%	—	—	—	—	—	—
Classic Select Paints ●	+30%	+30%	—	+30%	+30%	—	—	—	—	—	—

FINISH ENHANCEMENTS:

Highlight Glaze	+8%	+8%	+8%	+8%	+8%	+8%	+8%	+8%	+8%	+8%	+8%
Antique Glaze	+15%	+15%	+15%	+15%	+15%	+15%	+15%	+15%	+15%	+15%	+15%
Old World ✕◇	—	+40%	+40%	+40%	+40%	+40%	+40%	+40%	+40%	+40%	+40%
Vintage ★	—	—	—	—	+15%	—	—	—	—	—	—
Bisque ★◇	—	—	—	—	+15%	—	—	—	—	—	—
Light Brush Stroke ★◇	+20%	+20%	—	+20%	—	—	—	—	—	—	—
Heavy Brush Stroke ★◇	+20%	+20%	—	+20%	—	—	—	—	—	—	—
Distressed	+5%	+5%	+5%	+5%	+5%	+5%	+5%	+5%	+5%	+5%	+5%
Pencil Edge Sanding ★	+8%	+8%	—	+8%	—	—	—	—	—	—	—

✕ ▲ = SRP required. ✕ = not available on paint finishes. ◇ = increases lead time by 10 days. ● = Increases lead times by 5 days.
 ★ = only available on paint finishes; see Finish Specifications section for color availability. Not available on rustic.
 ✕ Paint finishes are not available on rustic and require an Agreement of Understanding.

Door Styles

PREFERRED BY KARMAN

CHESTERFIELD

Standard Feature: **S**

Not Available: **-**

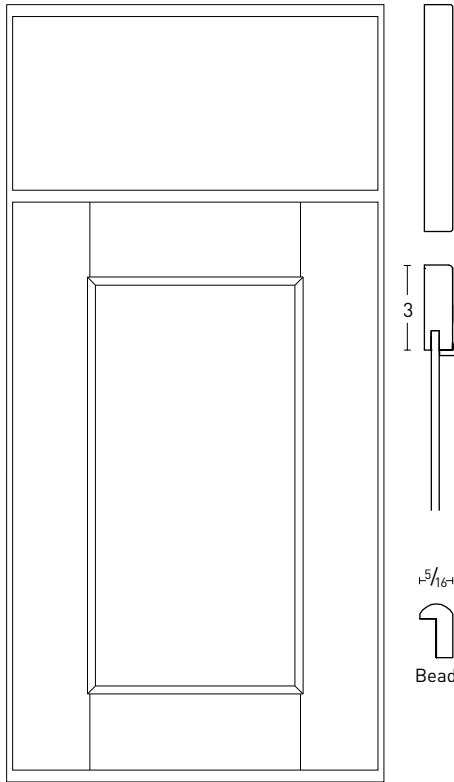
Price Group E

STANDARD INFORMATION:

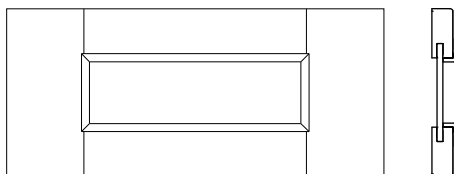
Overlay	Full
Panel Type	5.2mm Recessed Panel
Standard Drawer Fronts	Slab

OPTIONS: (by request)

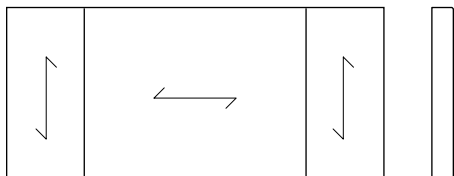
Drawer Front Upgrade (Per Drawer)	5-Piece: \$60	Trinity (3-Piece): \$50	Marcel (1" Thick): \$40
Edge Profile Change (Per Door/Drawer)	Available -\$30		
Inset \diamond	Flush: +20%	Beaded (1/4" or 3/8"): +30%	Chamfer, Ogee, Stepped: +40%
Solid Reverse Panel (SRP)	+20%		
Beaded Panels \blacktriangle	+5%		
2 Tone	\$115 per door/ 5-Piece Drawer		
Victorian	\$95 per door		



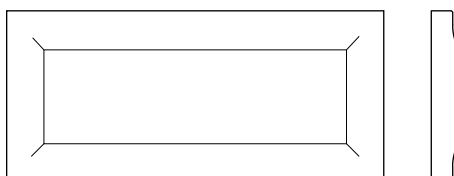
Edge Profile: C
Framing Bead: Door Specific
Panel: 992 (5.2 mm)



Optional 5-Piece Drawer Front
See Drawer Height Chart #2



Optional Trinity Front (3-Piece)
↔ = Grain Direction



Optional Marcel Drawer Front (1" Thick)

	PAINT GRADE	OAK	HICKORY	MAPLE	ALDER	CHERRY	1/4-SAWN OAK	WALNUT	BAMBOO \square	RED BIRCH \square	LYPTUS \square
Clear	+0%	+0%	+7%	+7%	+7%	+15%	+40%	+40%	-	+40%	+40%
Rustic	-	+0%	+7% \blacktriangle	+7%	+7%	+15%	-	+40%	-	-	-

STAIN FINISHES:

Cocoa	-	S	S	S	S	S	S	S	-	S	S
Ecru NEW	-	S	S	S	S	S	S	S	-	S	S
Stone NEW	-	S	S	S	S	S	S	S	-	S	S
Graphite	-	S	S	S	S	S	S	S	-	S	S
Greystone	-	S	S	S	S	S	S	S	-	S	S
ney	-	S	S	S	S	S	S	S	-	S	S
Ivory	-	S	S	S	S	S	S	S	-	S	S
Java	-	S	S	S	S	S	S	S	-	S	S
Kodiak	-	S	S	S	S	S	S	S	-	S	S
Lilac NEW	-	S	S	S	S	S	S	S	-	S	S
Limestone	-	S	S	S	S	S	S	S	-	S	S
Natural	-	S	S	S	S	S	S	S	-	S	S
Umber NEW	-	S	S	S	S	S	S	S	-	S	S
Sage	-	S	S	S	S	S	S	S	-	S	S
Salem	-	S	S	S	S	S	S	S	-	S	S
Shale	-	S	S	S	S	S	S	S	-	S	S
Porcini NEW	-	S	S	S	S	S	S	S	-	S	S
Spice	-	S	S	S	S	S	S	S	-	S	S
Obsidian NEW	-	S	S	S	S	S	S	S	-	S	S
Straw NEW	-	S	S	S	S	S	S	S	-	S	S

PAINT FINISHES:

Azure NEW	+18%	+18%	-	+18%	+18%	-	-	-	-	-	-
Bright White NEW	+18%	+18%	-	+18%	+18%	-	-	-	-	-	-
Gibraltar Cliffs NEW	+18%	+18%	-	+18%	+18%	-	-	-	-	-	-
Glacier	+18%	+18%	-	+18%	+18%	-	-	-	-	-	-
Kendall Charcoal	+18%	+18%	-	+18%	+18%	-	-	-	-	-	-
Midnight	+18%	+18%	-	+18%	+18%	-	-	-	-	-	-
Olive NEW	+18%	+18%	-	+18%	+18%	-	-	-	-	-	-
Revere Pewter NEW	+18%	+18%	-	+18%	+18%	-	-	-	-	-	-
Regent Blue NEW	+18%	+18%	-	+18%	+18%	-	-	-	-	-	-
Smoke NEW	+18%	+18%	-	+18%	+18%	-	-	-	-	-	-
Solitude	+18%	+18%	-	+18%	+18%	-	-	-	-	-	-
Stonington Gray	+18%	+18%	-	+18%	+18%	-	-	-	-	-	-
Super White	+18%	+18%	-	+18%	+18%	-	-	-	-	-	-
White Dove	+18%	+18%	-	+18%	+18%	-	-	-	-	-	-
Classic Select Paints \bullet	+30%	+30%	-	+30%	+30%	-	-	-	-	-	-

FINISH ENHANCEMENTS:

Highlight Glaze	+8%	+8%	+8%	+8%	+8%	+8%	+8%	+8%	-	+8%	+8%
Antique Glaze	+15%	+15%	+15%	+15%	+15%	+15%	+15%	+15%	-	+15%	+15%
Old World $\times \diamond$	-	+40%	+40%	+40%	+40%	+40%	+40%	+40%	-	+40%	+40%
Vintage \star	-	-	-	-	+15%	-	-	-	-	-	-
Bisque $\star \diamond$	-	-	-	-	+15%	-	-	-	-	-	-
Light Brush Stroke $\star \diamond$	+20%	+20%	-	+20%	-	-	-	-	-	-	-
Heavy Brush Stroke $\star \diamond$	+20%	+20%	-	+20%	-	-	-	-	-	-	-
Distressed	+5%	+5%	+5%	+5%	+5%	+5%	+5%	+5%	-	+5%	+5%
Pencil Edge Sanding \star	+8%	+8%	-	+8%	-	-	-	-	-	-	-

» \blacktriangle = SRP required. \times = not available on paint finishes. \diamond = increases lead time by 10 days. \bullet = Increases lead times by 5 days.

» \star = only available on paint finishes, see Finish Specifications section for color availability. Not available on rustic.

» Paint finishes are not available on rustic and require an Agreement of Understanding.

COLONY

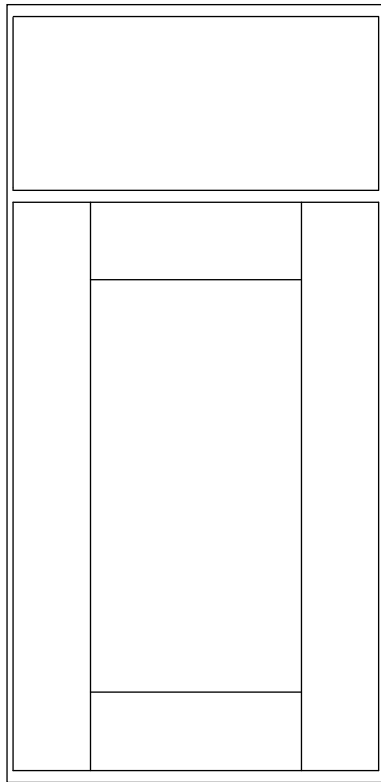
Standard Feature: **S**

Not Available: **—**

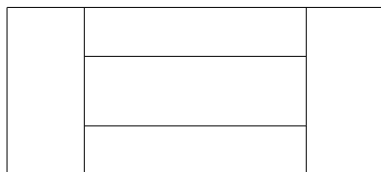
Price Group C

STANDARD INFORMATION:

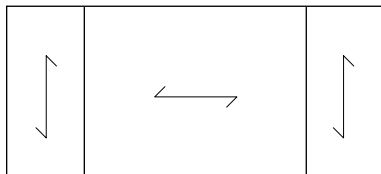
Overlay	Full
Panel Type	5.2 mm Recessed Panel
Standard Drawer Fronts	Slab
OPTIONS: (by request)	
Drawer Front Upgrade (Per Drawer)	5-Piece: \$60 Trinity (3-Piece): \$50 Marcel (1" Thick): \$40
Edge Profile Change (Per Door/Drawer)	Available -\$30
Inset \diamond	Flush: +20% Beaded (1/4" or 3/8"): +30% Chamfer, Ogee, Stepped: +40%
Solid Reverse Panel (SRP)	+20%
Beaded Panels \blacktriangle	+5%
Arched Doors	Crescent: \$115 (Per Door)
Victorian	\$95 per door



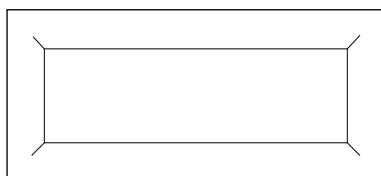
Edge Profile: C
Framing Bead: Square
Panel: 992 (5.2 mm)



Optional 5-Piece Drawer Front
See Drawer Height Chart #2



Optional Trinity Front (3-Piece)
↔ = Grain Direction



Optional Marcel Drawer Front (1" Thick)

	PAIN	GRADE	OAK	HICKORY	MAPLE	ALDER	CHERRY	1/2-SAM	WALNUT	BAMBOO	RED BIRCH	LYPTUS
Clear	+0%	+0%	+7%	+7%	+7%	+15%	+40%	+40%	+40%	+40%	+40%	+40%
Rustic	—	+0%	+7%	+7%	+7%	+15%	—	+40%	—	—	—	—

STAIN FINISHES:

Cocoa	—	S	S	S	S	S	S	S	S	S	S	S
Ecru NEW	—	S	S	S	S	S	S	S	S	S	S	S
Stone NEW	—	S	S	S	S	S	S	S	S	S	S	S
Graphite	—	S	S	S	S	S	S	S	S	S	S	S
Greystone	—	S	S	S	S	S	S	S	S	S	S	S
Honey	—	S	S	S	S	S	S	S	S	S	S	S
Ivory	—	S	S	S	S	S	S	S	S	S	S	S
Java	—	S	S	S	S	S	S	S	S	S	S	S
Kodiak	—	S	S	S	S	S	S	S	S	S	S	S
Lilac NEW	—	S	S	S	S	S	S	S	S	S	S	S
Limestone	—	S	S	S	S	S	S	S	S	S	S	S
Natural	—	S	S	S	S	S	S	S	S	S	S	S
Umber NEW	—	S	S	S	S	S	S	S	S	S	S	S
Sage	—	S	S	S	S	S	S	S	S	S	S	S
Salem	—	S	S	S	S	S	S	S	S	S	S	S
Shale	—	S	S	S	S	S	S	S	S	S	S	S
Porcini NEW	—	S	S	S	S	S	S	S	S	S	S	S
Spice	—	S	S	S	S	S	S	S	S	S	S	S
Obsidian NEW	—	S	S	S	S	S	S	S	S	S	S	S
Straw NEW	—	S	S	S	S	S	S	S	S	S	S	S

PAINT FINISHES:

Azure NEW	+18%	+18%	—	+18%	+18%	—	—	—	—	—	—	—
Bright White NEW	+18%	+18%	—	+18%	+18%	—	—	—	—	—	—	—
Gibraltar Cliffs NEW	+18%	+18%	—	+18%	+18%	—	—	—	—	—	—	—
Glacier	+18%	+18%	—	+18%	+18%	—	—	—	—	—	—	—
Kendall Charcoal	+18%	+18%	—	+18%	+18%	—	—	—	—	—	—	—
Midnight	+18%	+18%	—	+18%	+18%	—	—	—	—	—	—	—
Olive NEW	+18%	+18%	—	+18%	+18%	—	—	—	—	—	—	—
Revere Pewter NEW	+18%	+18%	—	+18%	+18%	—	—	—	—	—	—	—
Regent Blue NEW	+18%	+18%	—	+18%	+18%	—	—	—	—	—	—	—
Smoke NEW	+18%	+18%	—	+18%	+18%	—	—	—	—	—	—	—
Solitude	+18%	+18%	—	+18%	+18%	—	—	—	—	—	—	—
Stonington Gray	+18%	+18%	—	+18%	+18%	—	—	—	—	—	—	—
Super White	+18%	+18%	—	+18%	+18%	—	—	—	—	—	—	—
White Dove	+18%	+18%	—	+18%	+18%	—	—	—	—	—	—	—
Classic Select Paints \bullet	+30%	+30%	—	+30%	+30%	—	—	—	—	—	—	—

FINISH ENHANCEMENTS:

Highlight Glaze	+8%	+8%	+8%	+8%	+8%	+8%	+8%	+8%	+8%	+8%	+8%	+8%
Antique Glaze	+15%	+15%	+15%	+15%	+15%	+15%	+15%	+15%	+15%	+15%	+15%	+15%
Old World $\times \diamond$	—	+40%	+40%	+40%	+40%	+40%	+40%	+40%	+40%	+40%	+40%	+40%
Vintage \star	—	—	—	—	+15%	—	—	—	—	—	—	—
Bisque $\star \diamond$	—	—	—	—	+15%	—	—	—	—	—	—	—
Light Brush Stroke $\star \diamond$	+20%	+20%	—	+20%	—	—	—	—	—	—	—	—
Heavy Brush Stroke $\star \diamond$	+20%	+20%	—	+20%	—	—	—	—	—	—	—	—
Distressed	+5%	+5%	+5%	+5%	+5%	+5%	+5%	+5%	+5%	+5%	+5%	+5%
Pencil Edge Sanding \star	+8%	+8%	—	+8%	—	—	—	—	—	—	—	—

\blacktriangle = SRP required. \times = not available on paint finishes. \diamond = increases lead time by 10 days. \bullet = Increases lead times by 5 days.
 \star = only available on paint finishes; see Finish Specifications section for color availability. Not available on rustic.
 \times = Paint finishes are not available on rustic and require an Agreement of Understanding.

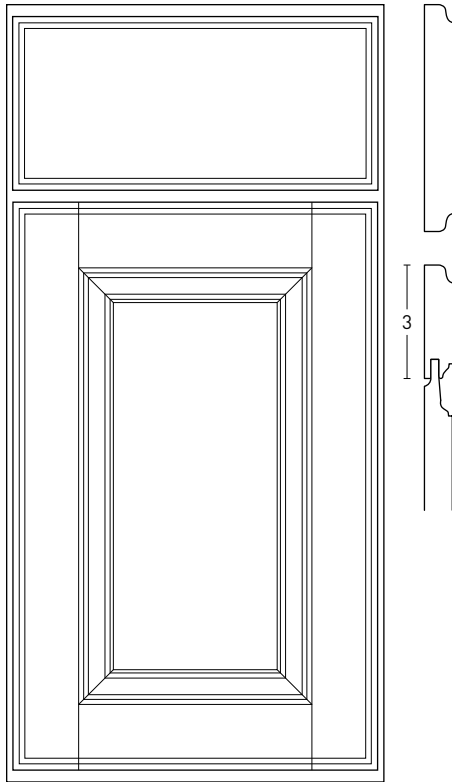
Door Styles

PREFERRED BY KARMAN

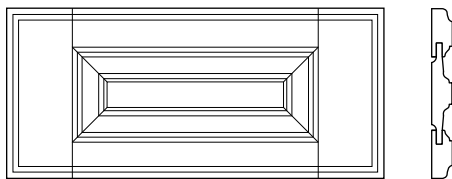
CORDOVA

Standard Feature: **S**

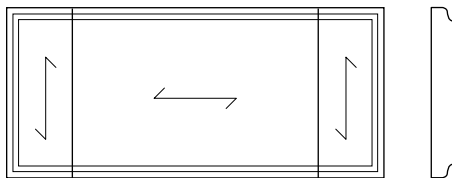
Not Available: **-**



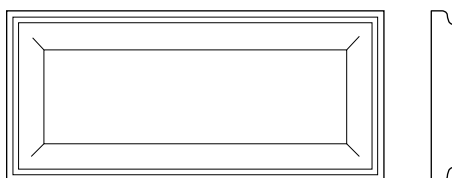
Edge Profile: E
Framing Bead: Ogee
Panel: 996



Optional 5-Piece Drawer Front
See Drawer Height Chart #2



Optional Trinity Front (3-Piece)
↔ = Grain Direction



Optional Marcel Drawer Front (1" Thick)

STANDARD INFORMATION:

Overlay	Full		
Panel Type	Raised Panel		
Standard Drawer Fronts	Slab		
OPTIONS: (by request)			
Drawer Front Upgrade (Per Drawer)	5 Piece: \$60	Trinity (3 Piece): \$50	Marcel (1" Thick): \$40
Edge Profile Change (Per Door/Drawer)	Available -\$30		
Inset ◇	Flush: +20%	Beaded (1/4" or 3/8"): +30%	Chamfer, Ogee, Stepped: +40%
Solid Reverse Panel (SRP)	-		
Beaded Panels	-		
Arched Doors	Roman Arch: \$0	Crescent: \$115 (Per Door)	
Victorian	\$95 per door		

Price Group D

	PAIN'T GRADE	OAK	HICKORY	MAPLE	ALDER	CHERRY	1/4-SAWN OAK	WALNUT	BAMBOO	RED BIRCH	LYPTUS
Clear	+0%	+0%	+7%	+7%	+7%	+15%	+40%	+40%	-	+40%	+40%
Rustic	-	+0%	+7%	+7%	+7%	+15%	-	+40%	-	-	-

STAIN FINISHES:

Cocoa	-	S	S	S	S	S	S	S	-	S	S
Ecru ^{NEW}	-	S	S	S	S	S	S	S	-	S	S
Stone ^{NEW}	-	S	S	S	S	S	S	S	-	S	S
Graphite	-	S	S	S	S	S	S	S	-	S	S
Greystone	-	S	S	S	S	S	S	S	-	S	S
Honey	-	S	S	S	S	S	S	S	-	S	S
Ivory	-	S	S	S	S	S	S	S	-	S	S
Java	-	S	S	S	S	S	S	S	-	S	S
Kodiak	-	S	S	S	S	S	S	S	-	S	S
Lilac ^{NEW}	-	S	S	S	S	S	S	S	-	S	S
Limestone	-	S	S	S	S	S	S	S	-	S	S
Natural	-	S	S	S	S	S	S	S	-	S	S
Umber ^{NEW}	-	S	S	S	S	S	S	S	-	S	S
Sage	-	S	S	S	S	S	S	S	-	S	S
Salem	-	S	S	S	S	S	S	S	-	S	S
Shale	-	S	S	S	S	S	S	S	-	S	S
Porcini ^{NEW}	-	S	S	S	S	S	S	S	-	S	S
Spice	-	S	S	S	S	S	S	S	-	S	S
Obsidian ^{NEW}	-	S	S	S	S	S	S	S	-	S	S
Straw ^{NEW}	-	S	S	S	S	S	S	S	-	S	S

PAINT FINISHES:

Azure ^{NEW}	+18%	+18%	-	+18%	+18%	-	-	-	-	-	-
Bright White ^{NEW}	+18%	+18%	-	+18%	+18%	-	-	-	-	-	-
Gibraltar Cliffs ^{NEW}	+18%	+18%	-	+18%	+18%	-	-	-	-	-	-
Glacier	+18%	+18%	-	+18%	+18%	-	-	-	-	-	-
Kendall Charcoal	+18%	+18%	-	+18%	+18%	-	-	-	-	-	-
Midnight	+18%	+18%	-	+18%	+18%	-	-	-	-	-	-
Olive ^{NEW}	+18%	+18%	-	+18%	+18%	-	-	-	-	-	-
Revere Pewter ^{NEW}	+18%	+18%	-	+18%	+18%	-	-	-	-	-	-
Regent Blue ^{NEW}	+18%	+18%	-	+18%	+18%	-	-	-	-	-	-
Smoke ^{NEW}	+18%	+18%	-	+18%	+18%	-	-	-	-	-	-
Solitude	+18%	+18%	-	+18%	+18%	-	-	-	-	-	-
Stonington Gray	+18%	+18%	-	+18%	+18%	-	-	-	-	-	-
Super White	+18%	+18%	-	+18%	+18%	-	-	-	-	-	-
White Dove	+18%	+18%	-	+18%	+18%	-	-	-	-	-	-
Classic Select Paints ●	+30%	+30%	-	+30%	+30%	-	-	-	-	-	-

FINISH ENHANCEMENTS:

Highlight Glaze	+8%	+8%	+8%	+8%	+8%	+8%	+8%	+8%	-	+8%	+8%
Antique Glaze	+15%	+15%	+15%	+15%	+15%	+15%	+15%	+15%	-	+15%	+15%
Old World ✕ ◇	-	+40%	+40%	+40%	+40%	+40%	+40%	+40%	-	+40%	+40%
Vintage ★	-	-	-	-	+15%	-	-	-	-	-	-
Bisque ★ ◇	-	-	-	-	+15%	-	-	-	-	-	-
Light Brush Stroke ★ ◇	+20%	+20%	-	+20%	-	-	-	-	-	-	-
Heavy Brush Stroke ★ ◇	+20%	+20%	-	+20%	-	-	-	-	-	-	-
Distressed	+5%	+5%	+5%	+5%	+5%	+5%	+5%	+5%	-	+5%	+5%
Pencil Edge Sanding ★	+8%	+8%	-	+8%	-	-	-	-	-	-	-

➤ ✕ = not available on paint finishes. ◇ = increases lead time by 10 days. ● = Increases lead times by 5 days.

➤ ★ = only available on paint finishes; see Finish Specifications section for color availability. Not available on rustic.

➤ Paint finishes are not available on rustic and require an Agreement of Understanding.

CORONADO

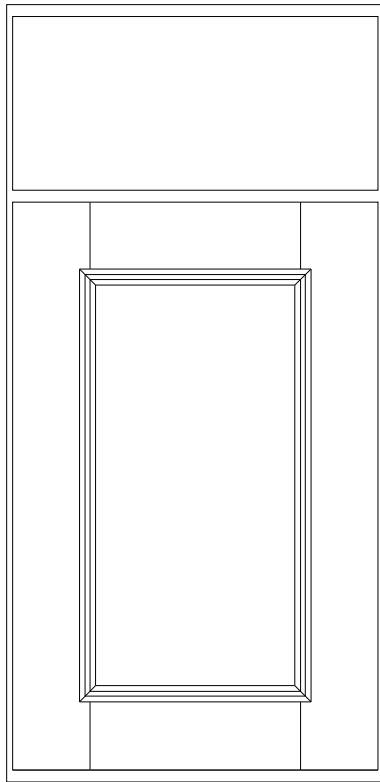
Standard Feature: **S**

Not Available: **—**

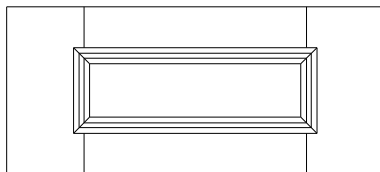
Price Group E

STANDARD INFORMATION:

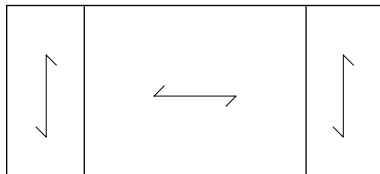
Overlay	Full
Panel Type	5.2 mm Recessed Panel
Standard Drawer Fronts	Slab
OPTIONS: (by request)	
Drawer Front Upgrade (Per Drawer)	5-Piece: \$60 Trinity (3-Piece): \$50 Marcel (1" Thick): \$40
Edge Profile Change (Per Door/Drawer)	Available -\$30
Inset \diamond	Flush: +20% Beaded (1/4" or 3/8"): +30% Chamfer, Ogee, Stepped: +40%
Solid Reverse Panel (SRP)	+20%
Beaded Panels \blacktriangle	+5%
2 Tone	\$115 per door/ 5-Piece Drawer
Victorian	\$95 per door



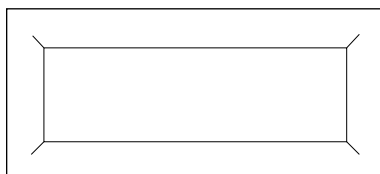
Edge Profile: C
Framing Bead: Door Specific
Panel: 992 [5.2 mm]



Optional 5-Piece Drawer Front
See Drawer Height Chart #2



Optional Trinity Front (3-Piece)
↙ = Grain Direction



Optional Marcel Drawer Front (1" Thick)

	PAIN	GRADE	OAK	HICKORY	MAPLE	ALDER	CHERRY	1/2-SAM	WALNUT	BAMBOO	RED BIRCH	LYPTUS
Clear	+0%	+0%	+7%	+7%	+7%	+15%	+40%	+40%	-	+40%	+40%	
Rustic	-	+0%	+7%	+7%	+7%	+15%	-	+40%	-	-	-	

STAIN FINISHES:

Cocoa	-	S	S	S	S	S	S	S	-	S	S	
Ecru NEW	-	S	S	S	S	S	S	S	-	S	S	
Stone NEW	-	S	S	S	S	S	S	S	-	S	S	
Graphite	-	S	S	S	S	S	S	S	-	S	S	
Greystone	-	S	S	S	S	S	S	S	-	S	S	
Honey	-	S	S	S	S	S	S	S	-	S	S	
Ivory	-	S	S	S	S	S	S	S	-	S	S	
Java	-	S	S	S	S	S	S	S	-	S	S	
Kodiak	-	S	S	S	S	S	S	S	-	S	S	
Lilac NEW	-	S	S	S	S	S	S	S	-	S	S	
Limestone	-	S	S	S	S	S	S	S	-	S	S	
Natural	-	S	S	S	S	S	S	S	-	S	S	
Umber NEW	-	S	S	S	S	S	S	S	-	S	S	
Sage	-	S	S	S	S	S	S	S	-	S	S	
Salem	-	S	S	S	S	S	S	S	-	S	S	
Shale	-	S	S	S	S	S	S	S	-	S	S	
Porcini NEW	-	S	S	S	S	S	S	S	-	S	S	
Spice	-	S	S	S	S	S	S	S	-	S	S	
Obsidian NEW	-	S	S	S	S	S	S	S	-	S	S	
Straw NEW	-	S	S	S	S	S	S	S	-	S	S	

PAINT FINISHES:

Azure NEW	+18%	+18%	-	+18%	+18%	-	-	-	-	-	-	
Bright White NEW	+18%	+18%	-	+18%	+18%	-	-	-	-	-	-	
Gibraltar Cliffs NEW	+18%	+18%	-	+18%	+18%	-	-	-	-	-	-	
Glacier	+18%	+18%	-	+18%	+18%	-	-	-	-	-	-	
Kendall Charcoal	+18%	+18%	-	+18%	+18%	-	-	-	-	-	-	
Midnight	+18%	+18%	-	+18%	+18%	-	-	-	-	-	-	
Olive NEW	+18%	+18%	-	+18%	+18%	-	-	-	-	-	-	
Revere Pewter NEW	+18%	+18%	-	+18%	+18%	-	-	-	-	-	-	
Regent Blue NEW	+18%	+18%	-	+18%	+18%	-	-	-	-	-	-	
Smoke NEW	+18%	+18%	-	+18%	+18%	-	-	-	-	-	-	
Solitude	+18%	+18%	-	+18%	+18%	-	-	-	-	-	-	
Stonington Gray	+18%	+18%	-	+18%	+18%	-	-	-	-	-	-	
Super White	+18%	+18%	-	+18%	+18%	-	-	-	-	-	-	
White Dove	+18%	+18%	-	+18%	+18%	-	-	-	-	-	-	
Classic Select Paints \bullet	+30%	+30%	-	+30%	+30%	-	-	-	-	-	-	

FINISH ENHANCEMENTS:

Highlight Glaze	+8%	+8%	+8%	+8%	+8%	+8%	+8%	+8%	-	+8%	+8%	
Antique Glaze	+15%	+15%	+15%	+15%	+15%	+15%	+15%	+15%	-	+15%	+15%	
Old World $\times \diamond$	-	+40%	+40%	+40%	+40%	+40%	+40%	+40%	-	+40%	+40%	
Vintage \star	-	-	-	-	+15%	-	-	-	-	-	-	
Bisque $\star \diamond$	-	-	-	-	+15%	-	-	-	-	-	-	
Light Brush Stroke $\star \diamond$	+20%	+20%	-	+20%	-	-	-	-	-	-	-	
Heavy Brush Stroke $\star \diamond$	+20%	+20%	-	+20%	-	-	-	-	-	-	-	
Distressed	+5%	+5%	+5%	+5%	+5%	+5%	+5%	+5%	-	+5%	+5%	
Pencil Edge Sanding \star	+8%	+8%	-	+8%	-	-	-	-	-	-	-	

\blacktriangle = SRP required. \times = not available on paint finishes. \diamond = increases lead time by 10 days. \bullet = Increases lead times by 5 days.

\star = only available on paint finishes; see Finish Specifications section for color availability. Not available on rustic.

\times Paint finishes are not available on rustic and require an Agreement of Understanding.

Door Styles

PREFERRED BY KARMAN

COVENTRY

Standard Feature: **S**

Not Available: **-**

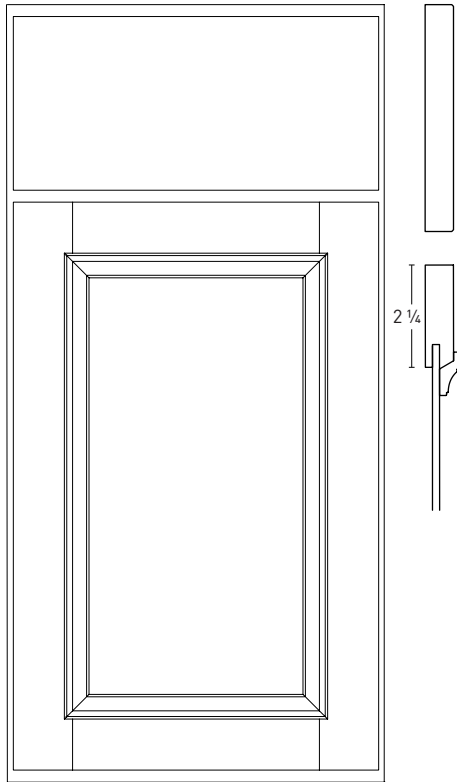
Price Group E

STANDARD INFORMATION:

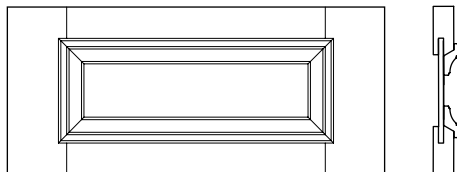
Overlay	Full
Panel Type	5.2mm Recessed Panel
Standard Drawer Fronts	Slab

OPTIONS: (by request)

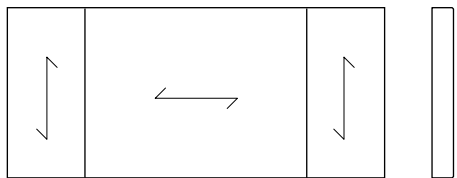
Drawer Front Upgrade (Per Drawer)	5-Piece: \$60	Trinity (3-Piece): \$50	Marcel (1" Thick): \$40
Edge Profile Change (Per Door/Drawer)	Available -\$30		
Inset \diamond	Flush: +20%	Beaded (1/4" or 3/8"): +30%	Chamfer, Ogee, Stepped: +40%
Solid Reverse Panel (SRP)	+20%		
Beaded Panels \blacktriangle	+5%		
2 Tone	\$115 per door/ 5-Piece Drawer		
Victorian	\$95 per door		



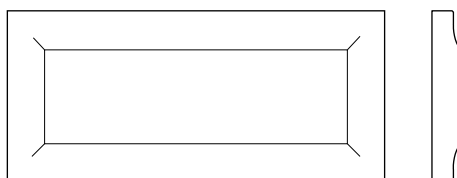
Edge Profile: C
Framing Bead: Door Specific
Panel: 992 (5.2 mm)



Optional 5-Piece Drawer Front
See Drawer Height Chart #1



Optional Trinity Front (3-Piece)
↔ = Grain Direction



Optional Marcel Drawer Front (1" Thick)

	PAINT GRADE	OAK	HICKORY	MAPLE	ALDER	CHERRY	1/4-SAWN OAK	WALNUT	BAMBOO \square	REDBIRCH \square	LYPTUS \square
Clear	+0%	+0%	+7%	+7%	+7%	+15%	+40%	+40%	-	+40%	+40%
Rustic	-	+0%	+7% \blacktriangle	+7%	+7%	+15%	-	+40%	-	-	-

STAIN FINISHES:

Cocoa	-	S	S	S	S	S	S	S	-	S	S
Ecru NEW	-	S	S	S	S	S	S	S	-	S	S
Stone NEW	-	S	S	S	S	S	S	S	-	S	S
Graphite	-	S	S	S	S	S	S	S	-	S	S
Greystone	-	S	S	S	S	S	S	S	-	S	S
Honey	-	S	S	S	S	S	S	S	-	S	S
Ivory	-	S	S	S	S	S	S	S	-	S	S
Java	-	S	S	S	S	S	S	S	-	S	S
Kodiak	-	S	S	S	S	S	S	S	-	S	S
Lilac NEW	-	S	S	S	S	S	S	S	-	S	S
Limestone	-	S	S	S	S	S	S	S	-	S	S
Natural	-	S	S	S	S	S	S	S	-	S	S
Umber NEW	-	S	S	S	S	S	S	S	-	S	S
Sage	-	S	S	S	S	S	S	S	-	S	S
Salem	-	S	S	S	S	S	S	S	-	S	S
Shale	-	S	S	S	S	S	S	S	-	S	S
Porcini NEW	-	S	S	S	S	S	S	S	-	S	S
Spice	-	S	S	S	S	S	S	S	-	S	S
Obsidian NEW	-	S	S	S	S	S	S	S	-	S	S
Straw NEW	-	S	S	S	S	S	S	S	-	S	S

PAINT FINISHES:

Azure NEW	+18%	+18%	-	+18%	+18%	-	-	-	-	-	-
Bright White NEW	+18%	+18%	-	+18%	+18%	-	-	-	-	-	-
Gibraltar Cliffs NEW	+18%	+18%	-	+18%	+18%	-	-	-	-	-	-
Glacier	+18%	+18%	-	+18%	+18%	-	-	-	-	-	-
Kendall Charcoal	+18%	+18%	-	+18%	+18%	-	-	-	-	-	-
Midnight	+18%	+18%	-	+18%	+18%	-	-	-	-	-	-
Olive NEW	+18%	+18%	-	+18%	+18%	-	-	-	-	-	-
Revere Pewter NEW	+18%	+18%	-	+18%	+18%	-	-	-	-	-	-
Regent Blue NEW	+18%	+18%	-	+18%	+18%	-	-	-	-	-	-
Smoke NEW	+18%	+18%	-	+18%	+18%	-	-	-	-	-	-
Solitude	+18%	+18%	-	+18%	+18%	-	-	-	-	-	-
Stonington Gray	+18%	+18%	-	+18%	+18%	-	-	-	-	-	-
Super White	+18%	+18%	-	+18%	+18%	-	-	-	-	-	-
White Dove	+18%	+18%	-	+18%	+18%	-	-	-	-	-	-
Classic Select Paints \bullet	+30%	+30%	-	+30%	+30%	-	-	-	-	-	-

FINISH ENHANCEMENTS:

Highlight Glaze	+8%	+8%	+8%	+8%	+8%	+8%	+8%	-	+8%	+8%
Antique Glaze	+15%	+15%	+15%	+15%	+15%	+15%	+15%	-	+15%	+15%
Old World $\times \diamond$	-	+40%	+40%	+40%	+40%	+40%	+40%	-	+40%	+40%
Vintage \star	-	-	-	-	+15%	-	-	-	-	-
Bisque $\star \diamond$	-	-	-	-	+15%	-	-	-	-	-
Light Brush Stroke $\star \diamond$	+20%	+20%	-	+20%	-	-	-	-	-	-
Heavy Brush Stroke $\star \diamond$	+20%	+20%	-	+20%	-	-	-	-	-	-
Distressed	+5%	+5%	+5%	+5%	+5%	+5%	+5%	-	+5%	+5%
Pencil Edge Sanding \star	+8%	+8%	-	+8%	-	-	-	-	-	-

\blacktriangle = SRP required. \times = not available on paint finishes. \diamond = increases lead time by 10 days. \bullet = Increases lead times by 5 days.
 \star = only available on paint finishes; see Finish Specifications section for color availability. Not available on rustic.
 Paint finishes are not available on rustic and require an Agreement of Understanding.

CRAFTSMAN

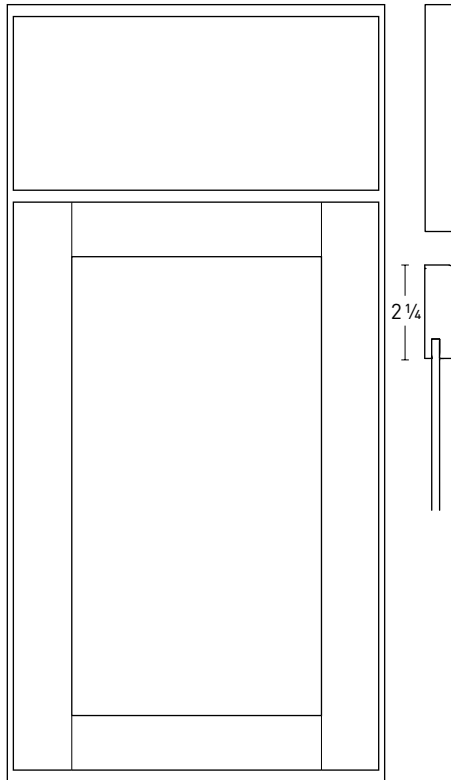
Standard Feature: **S**

Not Available: **—**

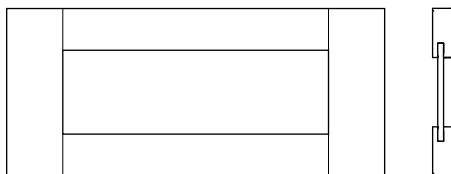
Price Group B

STANDARD INFORMATION:

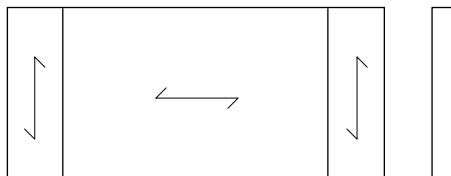
Overlay	Full
Panel Type	5.2 mm Recessed Panel
Standard Drawer Fronts	Slab
OPTIONS: (by request)	
Drawer Front Upgrade (Per Drawer)	5-Piece: \$60 Trinity (3-Piece): \$50 Marcel (1" Thick): \$40
Edge Profile Change (Per Door/Drawer)	Available -\$30
Inset \diamond	Flush: +20% Beaded (1/4" or 3/8"): +30% Chamfer, Ogee, Stepped: +40%
Solid Reverse Panel (SRP)	+20%
Beaded Panels \blacktriangle	+5%
Arched Doors	Crescent: \$115 (Per Door)
Victorian	\$95 per door



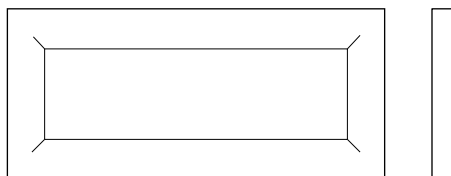
Edge Profile: C
Framing Bead: Square
Panel: 992 (5.2 mm)



Optional 5-Piece Drawer Front
See Drawer Height Chart #1



Optional Trinity Front (3-Piece)
↔ = Grain Direction



Optional Marcel Drawer Front (1" Thick)

	PAIN T GRADE	OAK	HICKORY	MAPLE	ALDER	CHERRY	1/2-SAMM OAK	WALNUT	BAMBOO \square	RED BIRCH \square	LYPTUS \square
Clear	+0%	+0%	+7%	+7%	+7%	+15%	+40%	+40%	+40%	+40%	+40%
Rustic	—	+0%	+7% \blacktriangle	+7%	+7%	+15%	—	+40%	—	—	—

STAIN FINISHES:

Cocoa	—	S	S	S	S	S	S	S	S	S	S
Ecru NEW	—	S	S	S	S	S	S	S	S	S	S
Stone NEW	—	S	S	S	S	S	S	S	S	S	S
Graphite	—	S	S	S	S	S	S	S	S	S	S
Greystone	—	S	S	S	S	S	S	S	S	S	S
Honey	—	S	S	S	S	S	S	S	S	S	S
Ivory	—	S	S	S	S	S	S	S	S	S	S
Java	—	S	S	S	S	S	S	S	S	S	S
Kodiak	—	S	S	S	S	S	S	S	S	S	S
Lilac NEW	—	S	S	S	S	S	S	S	S	S	S
Limestone	—	S	S	S	S	S	S	S	S	S	S
Natural	—	S	S	S	S	S	S	S	S	S	S
Umber NEW	—	S	S	S	S	S	S	S	S	S	S
Sage	—	S	S	S	S	S	S	S	S	S	S
Salem	—	S	S	S	S	S	S	S	S	S	S
Shale	—	S	S	S	S	S	S	S	S	S	S
Porcini NEW	—	S	S	S	S	S	S	S	S	S	S
Spice	—	S	S	S	S	S	S	S	S	S	S
Obsidian NEW	—	S	S	S	S	S	S	S	S	S	S
Straw NEW	—	S	S	S	S	S	S	S	S	S	S

PAINT FINISHES:

Azure NEW	+18%	+18%	—	+18%	+18%	—	—	—	—	—	—
Bright White NEW	+18%	+18%	—	+18%	+18%	—	—	—	—	—	—
Gibraltar Cliffs NEW	+18%	+18%	—	+18%	+18%	—	—	—	—	—	—
Glacier	+18%	+18%	—	+18%	+18%	—	—	—	—	—	—
Kendall Charcoal	+18%	+18%	—	+18%	+18%	—	—	—	—	—	—
Midnight	+18%	+18%	—	+18%	+18%	—	—	—	—	—	—
Olive NEW	+18%	+18%	—	+18%	+18%	—	—	—	—	—	—
Revere Pewter NEW	+18%	+18%	—	+18%	+18%	—	—	—	—	—	—
Regent Blue NEW	+18%	+18%	—	+18%	+18%	—	—	—	—	—	—
Smoke NEW	+18%	+18%	—	+18%	+18%	—	—	—	—	—	—
Solitude	+18%	+18%	—	+18%	+18%	—	—	—	—	—	—
Stonington Gray	+18%	+18%	—	+18%	+18%	—	—	—	—	—	—
Super White	+18%	+18%	—	+18%	+18%	—	—	—	—	—	—
White Dove	+18%	+18%	—	+18%	+18%	—	—	—	—	—	—
Classic Select Paints \bullet	+30%	+30%	—	+30%	+30%	—	—	—	—	—	—

FINISH ENHANCEMENTS:

Highlight Glaze	+8%	+8%	+8%	+8%	+8%	+8%	+8%	+8%	+8%	+8%	+8%
Antique Glaze	+15%	+15%	+15%	+15%	+15%	+15%	+15%	+15%	+15%	+15%	+15%
Old World $\times \diamond$	—	+40%	+40%	+40%	+40%	+40%	+40%	+40%	+40%	+40%	+40%
Vintage \star	—	—	—	—	+15%	—	—	—	—	—	—
Bisque $\star \diamond$	—	—	—	—	+15%	—	—	—	—	—	—
Light Brush Stroke $\star \diamond$	+20%	+20%	—	+20%	—	—	—	—	—	—	—
Heavy Brush Stroke $\star \diamond$	+20%	+20%	—	+20%	—	—	—	—	—	—	—
Distressed	+5%	+5%	+5%	+5%	+5%	+5%	+5%	+5%	+5%	+5%	+5%
Pencil Edge Sanding \star	+8%	+8%	—	+8%	—	—	—	—	—	—	—

\blacktriangle = SRP required. \times = not available on paint finishes. \diamond = increases lead time by 10 days. \bullet = Increases lead times by 5 days.

\star = only available on paint finishes; see Finish Specifications section for color availability. Not available on rustic.

\times Paint finishes are not available on rustic and require an Agreement of Understanding.

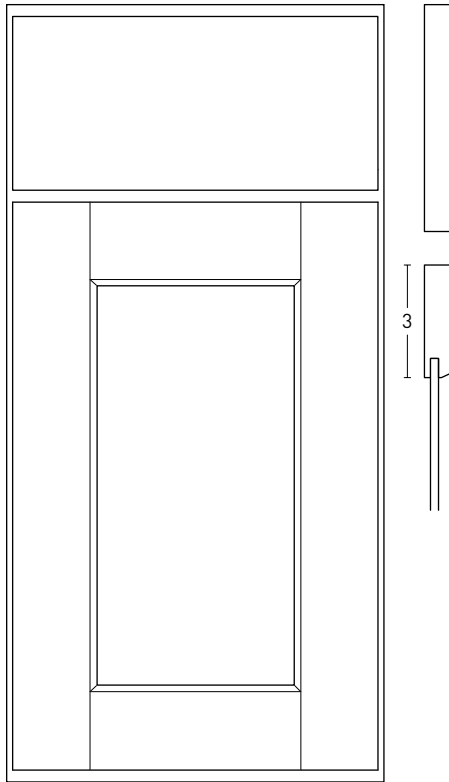
Door Styles

PREFERRED BY KARMAN

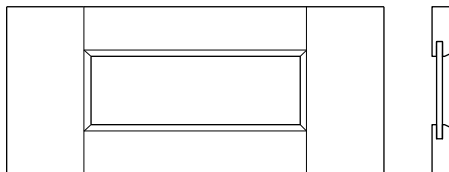
DAKOTA

Standard Feature: **S**

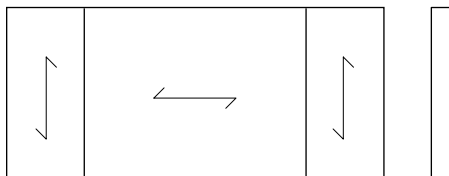
Not Available: **-**



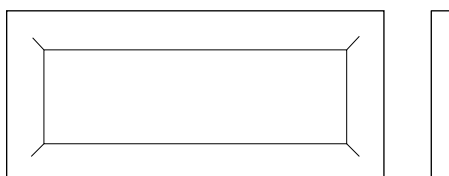
Edge Profile: C
Framing Bead: Shaker
Panel: 992 (5.2 mm)



Optional 5-Piece Drawer Front
See Drawer Height Chart #2



Optional Trinity Front (3-Piece)
↔ = Grain Direction



Optional Marcel Drawer Front (1" Thick)

STANDARD INFORMATION:

Overlay	Full
Panel Type	5.2mm Recessed Panel
Standard Drawer Fronts	Slab
OPTIONS: (by request)	
Drawer Front Upgrade (Per Drawer)	5-Piece: \$60 Trinity (3-Piece): \$50 Marcel (1" Thick): \$40
Edge Profile Change (Per Door/Drawer)	Available -\$30
Inset ◇	Flush: +20% Beaded (1/4" or 3/8"): +30% Chamfer, Ogee, Stepped: +40%
Solid Reverse Panel (SRP)	+20%
Beaded Panels ▲	+5%
Arched Doors	Crescent Arch: \$115 (Per Door)
Victorian	\$95 per door

Price Group C

	PAINT GRADE	OAK	HICKORY	MAPLE	ALDER	CHERRY	1/2-SAWN OAK	WALNUT	BAMBOO	RED BIRCH	LYPTUS
Clear	+0%	+0%	+7%	+7%	+7%	+15%	+40%	+40%	+40%	+40%	+40%
Rustic	-	+0%	+7%▲	+7%	+7%	+15%	-	+40%	-	-	-

STAIN FINISHES:

Cocoa	-	S	S	S	S	S	S	S	S	S	S
Ecru NEW	-	S	S	S	S	S	S	S	S	S	S
Stone NEW	-	S	S	S	S	S	S	S	S	S	S
Graphite	-	S	S	S	S	S	S	S	S	S	S
Greystone	-	S	S	S	S	S	S	S	S	S	S
Honey	-	S	S	S	S	S	S	S	S	S	S
Ivory	-	S	S	S	S	S	S	S	S	S	S
Java	-	S	S	S	S	S	S	S	S	S	S
Kodiak	-	S	S	S	S	S	S	S	S	S	S
Lilac NEW	-	S	S	S	S	S	S	S	S	S	S
Limestone	-	S	S	S	S	S	S	S	S	S	S
Natural	-	S	S	S	S	S	S	S	S	S	S
Umber NEW	-	S	S	S	S	S	S	S	S	S	S
Sage	-	S	S	S	S	S	S	S	S	S	S
Salem	-	S	S	S	S	S	S	S	S	S	S
Shale	-	S	S	S	S	S	S	S	S	S	S
Porcini NEW	-	S	S	S	S	S	S	S	S	S	S
Spice	-	S	S	S	S	S	S	S	S	S	S
Obsidian NEW	-	S	S	S	S	S	S	S	S	S	S
Straw NEW	-	S	S	S	S	S	S	S	S	S	S

PAINT FINISHES:

Azure NEW	+18%	+18%	-	+18%	+18%	-	-	-	-	-	-
Bright White NEW	+18%	+18%	-	+18%	+18%	-	-	-	-	-	-
Gibraltar Cliffs NEW	+18%	+18%	-	+18%	+18%	-	-	-	-	-	-
Glacier	+18%	+18%	-	+18%	+18%	-	-	-	-	-	-
Kendall Charcoal	+18%	+18%	-	+18%	+18%	-	-	-	-	-	-
Midnight	+18%	+18%	-	+18%	+18%	-	-	-	-	-	-
Olive NEW	+18%	+18%	-	+18%	+18%	-	-	-	-	-	-
Revere Pewter NEW	+18%	+18%	-	+18%	+18%	-	-	-	-	-	-
Regent Blue NEW	+18%	+18%	-	+18%	+18%	-	-	-	-	-	-
Smoke NEW	+18%	+18%	-	+18%	+18%	-	-	-	-	-	-
Solitude	+18%	+18%	-	+18%	+18%	-	-	-	-	-	-
Stonington Gray	+18%	+18%	-	+18%	+18%	-	-	-	-	-	-
Super White	+18%	+18%	-	+18%	+18%	-	-	-	-	-	-
White Dove	+18%	+18%	-	+18%	+18%	-	-	-	-	-	-
Classic Select Paints ●	+30%	+30%	-	+30%	+30%	-	-	-	-	-	-

FINISH ENHANCEMENTS:

Highlight Glaze	+8%	+8%	+8%	+8%	+8%	+8%	+8%	+8%	+8%	+8%	+8%
Antique Glaze	+15%	+15%	+15%	+15%	+15%	+15%	+15%	+15%	+15%	+15%	+15%
Old World ✕◇	-	+40%	+40%	+40%	+40%	+40%	+40%	+40%	+40%	+40%	+40%
Vintage ★	-	-	-	-	+15%	-	-	-	-	-	-
Bisque ★◇	-	-	-	-	+15%	-	-	-	-	-	-
Light Brush Stroke ★◇	+20%	+20%	-	+20%	-	-	-	-	-	-	-
Heavy Brush Stroke ★◇	+20%	+20%	-	+20%	-	-	-	-	-	-	-
Distressed	+5%	+5%	+5%	+5%	+5%	+5%	+5%	+5%	+5%	+5%	+5%
Pencil Edge Sanding ★	+8%	+8%	-	+8%	-	-	-	-	-	-	-

▲ = SRP required. ✕ = not available on paint finishes. ◇ = increases lead time by 10 days. ● = increases lead times by 5 days.

★ = only available on paint finishes; see Finish Specifications section for color availability. Not available on rustic.

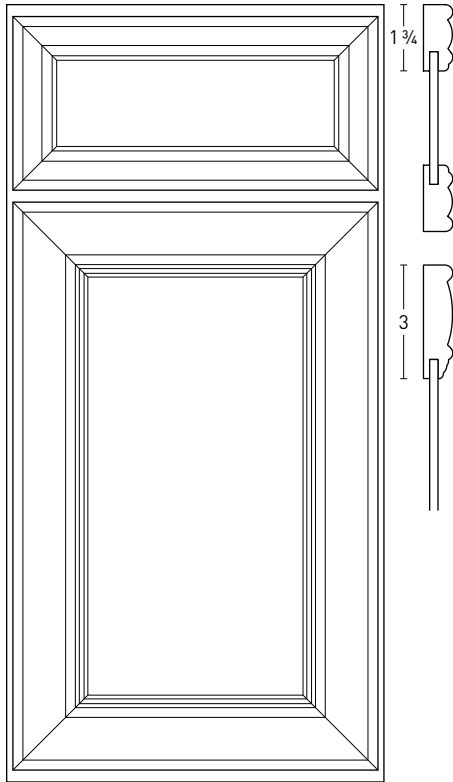
※ Paint finishes are not available on rustic and require an Agreement of Understanding.

DAVENPORT

Standard Feature: **S**

Not Available: **—**

Price Group C



Edge Profile: Door Specific
Framing Bead: Door Specific
Panel: 992 [5.2 mm]

STANDARD INFORMATION:

Overlay	Full (Not Available Inset)
Panel Type	5.2 mm Recessed Panel
Standard Drawer Fronts	5-Piece

OPTIONS: (by request)

Drawer Front Upgrade (Per Drawer)	—
Edge Profile Change (Per Door/Drawer)	—
Inset \diamond	—
Solid Reverse Panel (SRP)	+20%
Beaded Panels \blacktriangle	+5%
Arched Doors	—
Victorian	—

	PAIN T GRADE	OAK	HICKORY	MAPLE	ALDER	CHERRY	1/2-SAMMOAK	WALNUT	BAMBOO \square	RED BIRCH \square	LYPTUS \square
Clear	+0%	+0%	+7%	+7%	+7%	+15%	+40%	+40%	—	+40%	+40%
Rustic	—	+0%	+7% \blacktriangle	+7%	+7%	+15%	—	+40%	—	—	—

STAIN FINISHES:

Cocoa	—	S	S	S	S	S	S	S	—	S	S
Ecru NEW	—	S	S	S	S	S	S	S	—	S	S
Stone NEW	—	S	S	S	S	S	S	S	—	S	S
Graphite	—	S	S	S	S	S	S	S	—	S	S
Greystone	—	S	S	S	S	S	S	S	—	S	S
Honey	—	S	S	S	S	S	S	S	—	S	S
Ivory	—	S	S	S	S	S	S	S	—	S	S
Java	—	S	S	S	S	S	S	S	—	S	S
Kodiak	—	S	S	S	S	S	S	S	—	S	S
Lilac NEW	—	S	S	S	S	S	S	S	—	S	S
Limestone	—	S	S	S	S	S	S	S	—	S	S
Natural	—	S	S	S	S	S	S	S	—	S	S
Umber NEW	—	S	S	S	S	S	S	S	—	S	S
Sage	—	S	S	S	S	S	S	S	—	S	S
Salem	—	S	S	S	S	S	S	S	—	S	S
Shale	—	S	S	S	S	S	S	S	—	S	S
Porcini NEW	—	S	S	S	S	S	S	S	—	S	S
Spice	—	S	S	S	S	S	S	S	—	S	S
Obsidian NEW	—	S	S	S	S	S	S	S	—	S	S
Straw NEW	—	S	S	S	S	S	S	S	—	S	S

PAINT FINISHES:

Azure NEW	+18%	+18%	—	+18%	+18%	—	—	—	—	—	—
Bright White NEW	+18%	+18%	—	+18%	+18%	—	—	—	—	—	—
Gibraltar Cliffs NEW	+18%	+18%	—	+18%	+18%	—	—	—	—	—	—
Glacier	+18%	+18%	—	+18%	+18%	—	—	—	—	—	—
Kendall Charcoal	+18%	+18%	—	+18%	+18%	—	—	—	—	—	—
Midnight	+18%	+18%	—	+18%	+18%	—	—	—	—	—	—
Olive NEW	+18%	+18%	—	+18%	+18%	—	—	—	—	—	—
Revere Pewter NEW	+18%	+18%	—	+18%	+18%	—	—	—	—	—	—
Regent Blue NEW	+18%	+18%	—	+18%	+18%	—	—	—	—	—	—
Smoke NEW	+18%	+18%	—	+18%	+18%	—	—	—	—	—	—
Solitude	+18%	+18%	—	+18%	+18%	—	—	—	—	—	—
Stonington Gray	+18%	+18%	—	+18%	+18%	—	—	—	—	—	—
Super White	+18%	+18%	—	+18%	+18%	—	—	—	—	—	—
White Dove	+18%	+18%	—	+18%	+18%	—	—	—	—	—	—
Classic Select Paints \bullet	+30%	+30%	—	+30%	+30%	—	—	—	—	—	—

FINISH ENHANCEMENTS:

Highlight Glaze	+8%	+8%	+8%	+8%	+8%	+8%	+8%	+8%	—	+8%	+8%
Antique Glaze	+15%	+15%	+15%	+15%	+15%	+15%	+15%	+15%	—	+15%	+15%
Old World $\times \diamond$	—	+40%	+40%	+40%	+40%	+40%	+40%	+40%	—	+40%	+40%
Vintage \star	—	—	—	—	+15%	—	—	—	—	—	—
Bisque $\star \diamond$	—	—	—	—	+15%	—	—	—	—	—	—
Light Brush Stroke $\star \diamond$	+20%	+20%	—	+20%	—	—	—	—	—	—	—
Heavy Brush Stroke $\star \diamond$	+20%	+20%	—	+20%	—	—	—	—	—	—	—
Distressed	+5%	+5%	+5%	+5%	+5%	+5%	+5%	+5%	—	+5%	+5%
Pencil Edge Sanding \star	+8%	+8%	—	+8%	—	—	—	—	—	—	—

\times \blacktriangle = SRP required. \times = not available on paint finishes. \diamond = increases lead time by 10 days. \bullet = Increases lead times by 5 days.

\star \star = only available on paint finishes; see Finish Specifications section for color availability. Not available on rustic.

\times Paint finishes are not available on rustic and require an Agreement of Understanding.

Door Styles

PREFERRED BY KARMAN

DURANGO

Standard Feature: **S**

Not Available: **-**

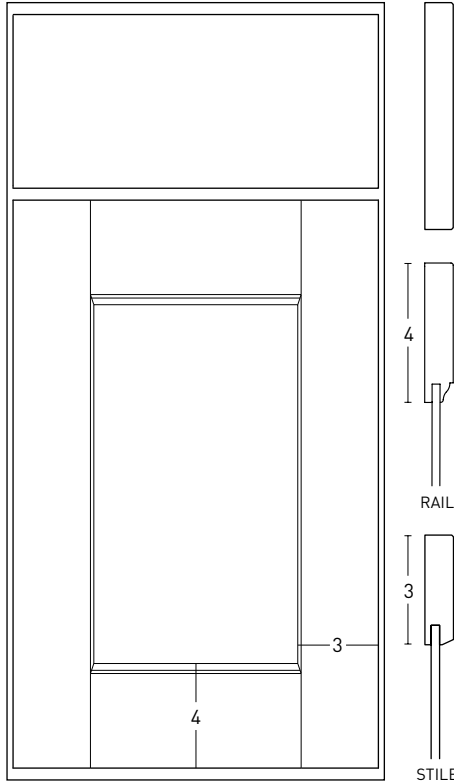
Price Group D

STANDARD INFORMATION:

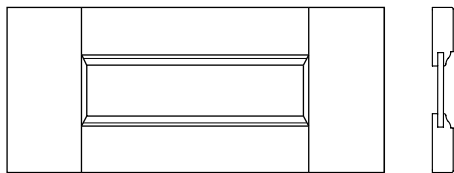
Overlay	Full
Panel Type	5.2mm Recessed Panel
Standard Drawer Fronts	Slab

OPTIONS: (by request)

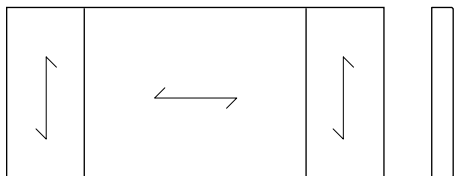
Drawer Front Upgrade (Per Drawer)	5-Piece: \$60	Trinity (3-Piece): \$50	Marcel (1" Thick): \$40
Edge Profile Change (Per Door/Drawer)	Available -\$30		
Inset \diamond	Flush: +20%	Beaded (1/4" or 3/8"): +30%	Chamfer, Ogee, Stepped: +40%
Solid Reverse Panel (SRP)	+20%		
Beaded Panels \blacktriangle	+5%		
Arched Doors	Crescent Arch: \$115 (Per Door)		
Victorian	\$95 per door		



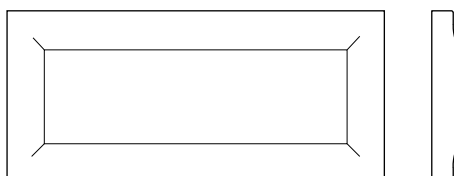
Edge Profile: C
Rail Framing Bead: Ogee
Stile Framing Bead: Shaker
Panel: 992 (5.2 mm)



Optional 5-Piece Drawer Front
See Drawer Height Chart #4



Optional Trinity Front (3-Piece)
↔ = Grain Direction



Optional Marcel Drawer Front (1" Thick)

	PAINT GRADE	OAK	HICKORY	MAPLE	ALDER	CHERRY	1/2-SAWNOAK	WALNUT	BAMBOO \square	REDBIRCH \square	LYPTUS \square
Clear	+0%	+0%	+7%	+7%	+7%	+15%	+40%	+40%	+40%	+40%	+40%
Rustic	-	+0%	+7% \blacktriangle	+7%	+7%	+15%	-	+40%	-	-	-

STAIN FINISHES:

Cocoa	-	S	S	S	S	S	S	S	S	S	S
Ecru NEW	-	S	S	S	S	S	S	S	S	S	S
Stone NEW	-	S	S	S	S	S	S	S	S	S	S
Graphite	-	S	S	S	S	S	S	S	S	S	S
Greystone	-	S	S	S	S	S	S	S	S	S	S
Honey	-	S	S	S	S	S	S	S	S	S	S
Ivory	-	S	S	S	S	S	S	S	S	S	S
Java	-	S	S	S	S	S	S	S	S	S	S
Kodiak	-	S	S	S	S	S	S	S	S	S	S
Lilac NEW	-	S	S	S	S	S	S	S	S	S	S
Limestone	-	S	S	S	S	S	S	S	S	S	S
Natural	-	S	S	S	S	S	S	S	S	S	S
Umber NEW	-	S	S	S	S	S	S	S	S	S	S
Sage	-	S	S	S	S	S	S	S	S	S	S
Salem	-	S	S	S	S	S	S	S	S	S	S
Shale	-	S	S	S	S	S	S	S	S	S	S
Porcini NEW	-	S	S	S	S	S	S	S	S	S	S
Spice	-	S	S	S	S	S	S	S	S	S	S
Obsidian NEW	-	S	S	S	S	S	S	S	S	S	S
Straw NEW	-	S	S	S	S	S	S	S	S	S	S

PAINT FINISHES:

Azure NEW	+18%	+18%	-	+18%	+18%	-	-	-	-	-	-
Bright White NEW	+18%	+18%	-	+18%	+18%	-	-	-	-	-	-
Gibraltar Cliffs NEW	+18%	+18%	-	+18%	+18%	-	-	-	-	-	-
Glacier	+18%	+18%	-	+18%	+18%	-	-	-	-	-	-
Kendall Charcoal	+18%	+18%	-	+18%	+18%	-	-	-	-	-	-
Midnight	+18%	+18%	-	+18%	+18%	-	-	-	-	-	-
Olive NEW	+18%	+18%	-	+18%	+18%	-	-	-	-	-	-
Revere Pewter NEW	+18%	+18%	-	+18%	+18%	-	-	-	-	-	-
Regent Blue NEW	+18%	+18%	-	+18%	+18%	-	-	-	-	-	-
Smoke NEW	+18%	+18%	-	+18%	+18%	-	-	-	-	-	-
Solitude	+18%	+18%	-	+18%	+18%	-	-	-	-	-	-
Stonington Gray	+18%	+18%	-	+18%	+18%	-	-	-	-	-	-
Super White	+18%	+18%	-	+18%	+18%	-	-	-	-	-	-
White Dove	+18%	+18%	-	+18%	+18%	-	-	-	-	-	-
Classic Select Paints \bullet	+30%	+30%	-	+30%	+30%	-	-	-	-	-	-

FINISH ENHANCEMENTS:

Highlight Glaze	+8%	+8%	+8%	+8%	+8%	+8%	+8%	+8%	+8%	+8%	+8%
Antique Glaze	+15%	+15%	+15%	+15%	+15%	+15%	+15%	+15%	+15%	+15%	+15%
Old World $\times \diamond$	-	+40%	+40%	+40%	+40%	+40%	+40%	+40%	+40%	+40%	+40%
Vintage \star	-	-	-	-	+15%	-	-	-	-	-	-
Bisque $\star \diamond$	-	-	-	-	+15%	-	-	-	-	-	-
Light Brush Stroke $\star \diamond$	+20%	+20%	-	+20%	-	-	-	-	-	-	-
Heavy Brush Stroke $\star \diamond$	+20%	+20%	-	+20%	-	-	-	-	-	-	-
Distressed	+5%	+5%	+5%	+5%	+5%	+5%	+5%	+5%	+5%	+5%	+5%
Pencil Edge Sanding \star	+8%	+8%	-	+8%	-	-	-	-	-	-	-

» \blacktriangle = SRP required. \times = not available on paint finishes. \diamond = increases lead time by 10 days. \bullet = increases lead times by 5 days.

» \star = only available on paint finishes; see Finish Specifications section for color availability. Not available on rustic.

» Paint finishes are not available on rustic and require an Agreement of Understanding.

ESTATE

Standard Feature: **S**

Not Available: **—**

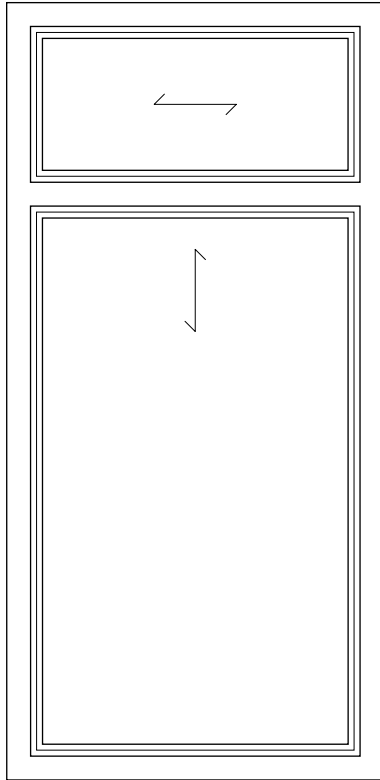
Price Group B

STANDARD INFORMATION:

Overlay	Standard
Panel Type	Solid Hardwood Slab
Standard Drawer Fronts	Slab

OPTIONS: (by request)

Drawer Front Upgrade (Per Drawer)	—
Edge Profile Change (Per Door/Drawer)	—
Inset \diamond	—
Solid Reverse Panel (SRP)	—
Beaded Panels	—
Arched Doors	—
Victorian	—



Edge Profile: A
Framing Bead: N/A
Panel: Slab

\leftarrow = Grain Direction

	PAIN	GRADE	OAK	HICKORY	MAPLE	ALDER	CHERRY	1/2-SAM	WALNUT	BAMBOO	RED BIRCH	LYPTUS
Clear	+0%	+0%	+7%	+7%	+7%	+15%	+40%	+40%	+40%	+40%	+40%	+40%
Rustic	—	+0%	+7%	+7%	+7%	+15%	—	+40%	—	—	—	—

STAIN FINISHES:

Cocoa	—	S	S	S	S	S	S	S	S	S	S	S
Ecru NEW	—	S	S	S	S	S	S	S	S	S	S	S
Stone NEW	—	S	S	S	S	S	S	S	S	S	S	S
Graphite	—	S	S	S	S	S	S	S	S	S	S	S
Greystone	—	S	S	S	S	S	S	S	S	S	S	S
Honey	—	S	S	S	S	S	S	S	S	S	S	S
Ivory	—	S	S	S	S	S	S	S	S	S	S	S
Java	—	S	S	S	S	S	S	S	S	S	S	S
Kodiak	—	S	S	S	S	S	S	S	S	S	S	S
Lilac NEW	—	S	S	S	S	S	S	S	S	S	S	S
Limestone	—	S	S	S	S	S	S	S	S	S	S	S
Natural	—	S	S	S	S	S	S	S	S	S	S	S
Umber NEW	—	S	S	S	S	S	S	S	S	S	S	S
Sage	—	S	S	S	S	S	S	S	S	S	S	S
Salem	—	S	S	S	S	S	S	S	S	S	S	S
Shale	—	S	S	S	S	S	S	S	S	S	S	S
Porcini NEW	—	S	S	S	S	S	S	S	S	S	S	S
Spice	—	S	S	S	S	S	S	S	S	S	S	S
Obsidian NEW	—	S	S	S	S	S	S	S	S	S	S	S
Straw NEW	—	S	S	S	S	S	S	S	S	S	S	S

PAINT FINISHES:

Azure NEW	+18%	+18%	—	+18%	+18%	—	—	—	—	—	—	—
Bright White NEW	+18%	+18%	—	+18%	+18%	—	—	—	—	—	—	—
Gibraltar Cliffs NEW	+18%	+18%	—	+18%	+18%	—	—	—	—	—	—	—
Glacier	+18%	+18%	—	+18%	+18%	—	—	—	—	—	—	—
Kendall Charcoal	+18%	+18%	—	+18%	+18%	—	—	—	—	—	—	—
Midnight	+18%	+18%	—	+18%	+18%	—	—	—	—	—	—	—
Olive NEW	+18%	+18%	—	+18%	+18%	—	—	—	—	—	—	—
Revere Pewter NEW	+18%	+18%	—	+18%	+18%	—	—	—	—	—	—	—
Regent Blue NEW	+18%	+18%	—	+18%	+18%	—	—	—	—	—	—	—
Smoke NEW	+18%	+18%	—	+18%	+18%	—	—	—	—	—	—	—
Solitude	+18%	+18%	—	+18%	+18%	—	—	—	—	—	—	—
Stonington Gray	+18%	+18%	—	+18%	+18%	—	—	—	—	—	—	—
Super White	+18%	+18%	—	+18%	+18%	—	—	—	—	—	—	—
White Dove	+18%	+18%	—	+18%	+18%	—	—	—	—	—	—	—
Classic Select Paints \bullet	+30%	+30%	—	+30%	+30%	—	—	—	—	—	—	—

FINISH ENHANCEMENTS:

Highlight Glaze	—	—	—	—	—	—	—	—	—	—	—	—
Antique Glaze	—	+15%	+15%	+15%	+15%	+15%	+15%	+15%	+15%	+15%	+15%	+15%
Old World $\times \diamond$	—	—	—	—	—	—	—	—	—	—	—	—
Vintage \star	—	—	—	—	—	—	—	—	—	—	—	—
Bisque $\star \diamond$	—	—	—	—	—	—	—	—	—	—	—	—
Light Brush Stroke $\star \diamond$	—	—	—	—	—	—	—	—	—	—	—	—
Heavy Brush Stroke $\star \diamond$	—	—	—	—	—	—	—	—	—	—	—	—
Distressed	—	+5%	+5%	+5%	+5%	+5%	+5%	+5%	+5%	+5%	+5%	+5%
Pencil Edge Sanding \star	—	—	—	—	—	—	—	—	—	—	—	—

\times = not available on paint finishes. \diamond = increases lead time by 10 days. \bullet = Increases lead times by 5 days.

\star = only available on paint finishes; see Finish Specifications section for color availability. Not available on rustic.

\star Paint finishes are not available on rustic and require an Agreement of Understanding.

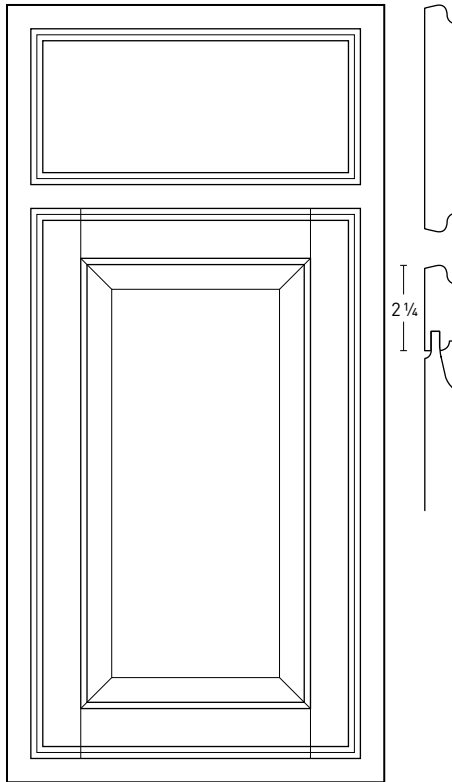
Door Styles

PREFERRED BY KARMAN

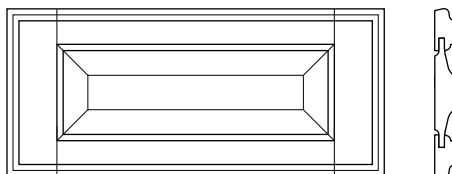
HARVEST

Standard Feature: **S**

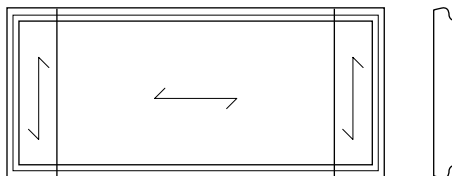
Not Available: **-**



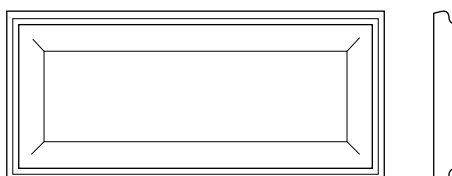
Edge Profile: A
Framing Bead: Regular
Panel: 998



Optional 5-Piece Drawer Front
See Drawer Height Chart #1



Optional Trinity Front (3-Piece)
↔ = Grain Direction



Optional Marcel Drawer Front (1" Thick)

STANDARD INFORMATION:

Overlay	Standard		
Panel Type	Raised Panel		
Standard Drawer Fronts	Slab		
OPTIONS: (by request)			
Drawer Front Upgrade (Per Drawer)	5 Piece: \$60	Trinity (3 Piece): \$50	Marcel (1" Thick): \$40
Edge Profile Change (Per Door/Drawer)	Available -\$30		
Inset ◇	Flush: +20%	Beaded (1/4" or 3/8"): +30%	Chamfer, Ogee, Stepped: +40%
Solid Reverse Panel (SRP)	-		
Beaded Panels	-		
Arched Doors	Cathedral Arch: \$0	Roman Arch: \$0	Crescent: \$115 (Per Door)
Victorian	\$95 per door		

Price Group C

	PAIN	GRADE	OAK	HICKORY	MAPLE	ALDER	CHEERRY	1/4-SAWN	OAK	WALNUT	BAMBOO	RED	BIRCH	LYPTUS
Clear	+0%	+0%	+7%	+7%	+7%	+15%	+40%	+40%	-	+40%	+40%	-	-	-
Rustic	-	+0%	+7%	+7%	+7%	+15%	-	+40%	-	-	-	-	-	-

STAIN FINISHES:

Cocoa	-	S	S	S	S	S	S	S	S	-	S	S	S	S
Ecru NEW	-	S	S	S	S	S	S	S	S	-	S	S	S	S
Stone NEW	-	S	S	S	S	S	S	S	S	-	S	S	S	S
Graphite	-	S	S	S	S	S	S	S	S	-	S	S	S	S
Greystone	-	S	S	S	S	S	S	S	S	-	S	S	S	S
Honey	-	S	S	S	S	S	S	S	S	-	S	S	S	S
Ivory	-	S	S	S	S	S	S	S	S	-	S	S	S	S
Java	-	S	S	S	S	S	S	S	S	-	S	S	S	S
Kodiak	-	S	S	S	S	S	S	S	S	-	S	S	S	S
Lilac NEW	-	S	S	S	S	S	S	S	S	-	S	S	S	S
Limestone	-	S	S	S	S	S	S	S	S	-	S	S	S	S
Natural	-	S	S	S	S	S	S	S	S	-	S	S	S	S
Umber NEW	-	S	S	S	S	S	S	S	S	-	S	S	S	S
Sage	-	S	S	S	S	S	S	S	S	-	S	S	S	S
Salem	-	S	S	S	S	S	S	S	S	-	S	S	S	S
Shale	-	S	S	S	S	S	S	S	S	-	S	S	S	S
Porcini NEW	-	S	S	S	S	S	S	S	S	-	S	S	S	S
Spice	-	S	S	S	S	S	S	S	S	-	S	S	S	S
Obsidian NEW	-	S	S	S	S	S	S	S	S	-	S	S	S	S
Straw NEW	-	S	S	S	S	S	S	S	S	-	S	S	S	S

PAINT FINISHES:

Azure NEW	+18%	+18%	-	+18%	+18%	-	-	-	-	-	-	-	-	-
Bright White NEW	+18%	+18%	-	+18%	+18%	-	-	-	-	-	-	-	-	-
Gibraltar Cliffs NEW	+18%	+18%	-	+18%	+18%	-	-	-	-	-	-	-	-	-
Glacier	+18%	+18%	-	+18%	+18%	-	-	-	-	-	-	-	-	-
Kendall Charcoal	+18%	+18%	-	+18%	+18%	-	-	-	-	-	-	-	-	-
Midnight	+18%	+18%	-	+18%	+18%	-	-	-	-	-	-	-	-	-
Olive NEW	+18%	+18%	-	+18%	+18%	-	-	-	-	-	-	-	-	-
Reverse Pewter NEW	+18%	+18%	-	+18%	+18%	-	-	-	-	-	-	-	-	-
Regent Blue NEW	+18%	+18%	-	+18%	+18%	-	-	-	-	-	-	-	-	-
Smoke NEW	+18%	+18%	-	+18%	+18%	-	-	-	-	-	-	-	-	-
Solitude	+18%	+18%	-	+18%	+18%	-	-	-	-	-	-	-	-	-
Stonington Gray	+18%	+18%	-	+18%	+18%	-	-	-	-	-	-	-	-	-
Super White	+18%	+18%	-	+18%	+18%	-	-	-	-	-	-	-	-	-
White Dove	+18%	+18%	-	+18%	+18%	-	-	-	-	-	-	-	-	-
Classic Select Paints ●	+30%	+30%	-	+30%	+30%	-	-	-	-	-	-	-	-	-

FINISH ENHANCEMENTS:

Highlight Glaze	+8%	+8%	+8%	+8%	+8%	+8%	+8%	+8%	-	+8%	+8%
Antique Glaze	+15%	+15%	+15%	+15%	+15%	+15%	+15%	+15%	-	+15%	+15%
Old World ✕◇	-	+40%	+40%	+40%	+40%	+40%	+40%	+40%	-	+40%	+40%
Vintage ★	-	-	-	-	+15%	-	-	-	-	-	-
Bisque ★◇	-	-	-	-	+15%	-	-	-	-	-	-
Light Brush Stroke ★◇	+20%	+20%	-	+20%	-	-	-	-	-	-	-
Heavy Brush Stroke ★◇	+20%	+20%	-	+20%	-	-	-	-	-	-	-
Distressed	+5%	+5%	+5%	+5%	+5%	+5%	+5%	+5%	-	+5%	+5%
Pencil Edge Sanding ★	+8%	+8%	-	+8%	-	-	-	-	-	-	-

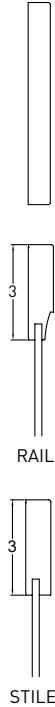
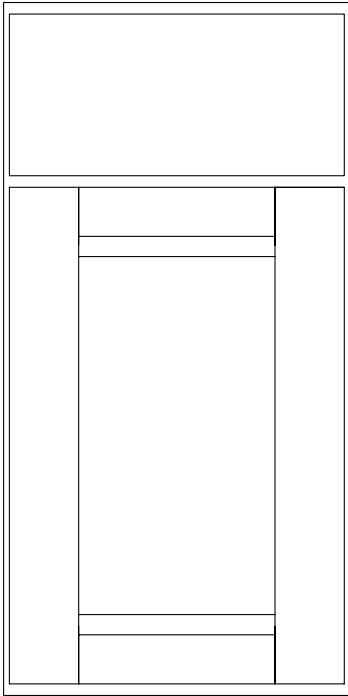
- ✕ = not available on paint finishes. ◇ = increases lead time by 10 days. ● = Increases lead times by 5 days.
- ★ = only available on paint finishes; see Finish Specifications section for color availability. Not available on rustic.
- ▶ Paint finishes are not available on rustic and require an Agreement of Understanding.

HAWTHORNE

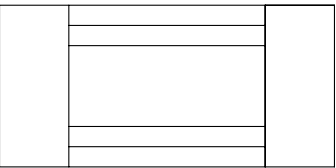
Standard Feature: **S**

Not Available: **—**

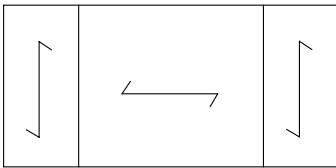
Price Group C



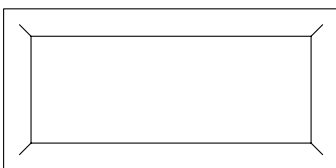
Edge Profile: C
Rail Framing Bead: Cove
Stile Framing Bead: Square
Panel 992 (5.2 mm)



Optional 5 - Piece Drawer Front
See Drawer Height Chart # 2



Optional Trinity Front (3 - Piece)
← → = Grain Direction



Optional Marcel Front (1" Thick)

STANDARD INFORMATION:

Overlay	Full
Panel Type	5.2 mm Recessed Panel
Standard Drawer Fronts	Slab
OPTIONS: (by request)	
Drawer Front Upgrade (Per Drawer)	5 - Piece: \$60 Trinity (3 - Piece): \$50 Marcel (1" Thick): \$40
Edge Profile Change (Per Door/Drawer)	Available -\$30
Inset \diamond	Flush: +20% Beaded (1/4" or 3/8"): +30% Chamfer, Ogee, Stepped: +40%
Solid Reverse Panel (SRP)	+20%
Beaded Panels \blacktriangle	+5%
Arched Doors	—
Victorian	—

	PAIN'T GRADE	OAK	HICKORY	MAPLE	ALDER	CHERRY	1/2-SAMMOAK	WALNUT	BAMBOO \square	RED BIRCH \square	LYPTUS \square
Clear	+0%	+0%	+7%	+7%	+7%	+15%	+40%	+40%	+40%	+40%	+40%
Rustic	—	+0%	+7% \blacktriangle	+7%	+7%	+15%	—	+40%	—	—	—

STAIN FINISHES:

Cocoa	—	S	S	S	S	S	S	S	S	S	S
Ecru NEW	—	S	S	S	S	S	S	S	S	S	S
Stone NEW	—	S	S	S	S	S	S	S	S	S	S
Graphite	—	S	S	S	S	S	S	S	S	S	S
Greystone	—	S	S	S	S	S	S	S	S	S	S
Honey	—	S	S	S	S	S	S	S	S	S	S
Ivory	—	S	S	S	S	S	S	S	S	S	S
Java	—	S	S	S	S	S	S	S	S	S	S
Kodiak	—	S	S	S	S	S	S	S	S	S	S
Lilac NEW	—	S	S	S	S	S	S	S	S	S	S
Limestone	—	S	S	S	S	S	S	S	S	S	S
Natural	—	S	S	S	S	S	S	S	S	S	S
Umber NEW	—	S	S	S	S	S	S	S	S	S	S
Sage	—	S	S	S	S	S	S	S	S	S	S
Salem	—	S	S	S	S	S	S	S	S	S	S
Shale	—	S	S	S	S	S	S	S	S	S	S
Porcini NEW	—	S	S	S	S	S	S	S	S	S	S
Spice	—	S	S	S	S	S	S	S	S	S	S
Obsidian NEW	—	S	S	S	S	S	S	S	S	S	S
Straw NEW	—	S	S	S	S	S	S	S	S	S	S

PAINT FINISHES:

Azure NEW	+18%	+18%	—	+18%	+18%	—	—	—	—	—	—
Bright White NEW	+18%	+18%	—	+18%	+18%	—	—	—	—	—	—
Gibraltar Cliffs NEW	+18%	+18%	—	+18%	+18%	—	—	—	—	—	—
Glacier	+18%	+18%	—	+18%	+18%	—	—	—	—	—	—
Kendall Charcoal	+18%	+18%	—	+18%	+18%	—	—	—	—	—	—
Midnight	+18%	+18%	—	+18%	+18%	—	—	—	—	—	—
Olive NEW	+18%	+18%	—	+18%	+18%	—	—	—	—	—	—
Revere Pewter NEW	+18%	+18%	—	+18%	+18%	—	—	—	—	—	—
Regent Blue NEW	+18%	+18%	—	+18%	+18%	—	—	—	—	—	—
Smoke NEW	+18%	+18%	—	+18%	+18%	—	—	—	—	—	—
Solitude	+18%	+18%	—	+18%	+18%	—	—	—	—	—	—
Stonington Gray	+18%	+18%	—	+18%	+18%	—	—	—	—	—	—
Super White	+18%	+18%	—	+18%	+18%	—	—	—	—	—	—
White Dove	+18%	+18%	—	+18%	+18%	—	—	—	—	—	—
Classic Select Paints \bullet	+30%	+30%	—	+30%	+30%	—	—	—	—	—	—

FINISH ENHANCEMENTS:

Highlight Glaze	+8%	+8%	+8%	+8%	+8%	+8%	+8%	+8%	+8%	+8%	+8%
Antique Glaze	+15%	+15%	+15%	+15%	+15%	+15%	+15%	+15%	+15%	+15%	+15%
Old World $\times \diamond$	—	+40%	+40%	+40%	+40%	+40%	+40%	+40%	+40%	+40%	+40%
Vintage \star	—	—	—	—	+15%	—	—	—	—	—	—
Bisque $\star \diamond$	—	—	—	—	+15%	—	—	—	—	—	—
Light Brush Stroke $\star \diamond$	+20%	+20%	—	+20%	—	—	—	—	—	—	—
Heavy Brush Stroke $\star \diamond$	+20%	+20%	—	+20%	—	—	—	—	—	—	—
Distressed	+5%	+5%	+5%	+5%	+5%	+5%	+5%	+5%	+5%	+5%	+5%
Pencil Edge Sanding \star	+8%	+8%	—	+8%	—	—	—	—	—	—	—

\times \blacktriangle = SRP required. \times = not available on paint finishes. \diamond = increases lead time by 10 days. \bullet = Increases lead times by 5 days.
 \star \star = only available on paint finishes; see Finish Specifications section for color availability. Not available on rustic.
 \times Paint finishes are not available on rustic and require an Agreement of Understanding.

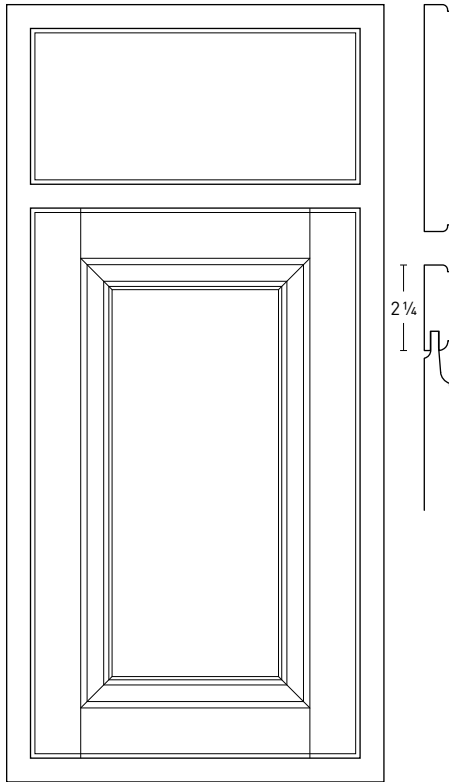
Door Styles

PREFERRED BY KARMAN

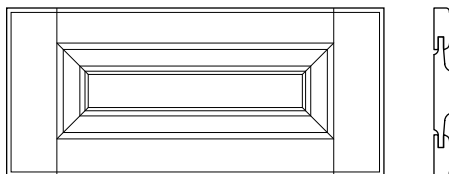
HIGHLAND

Standard Feature: **S**

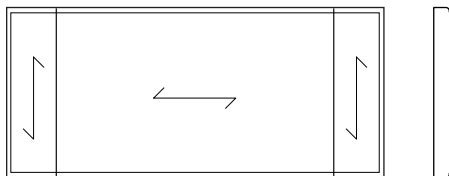
Not Available: **-**



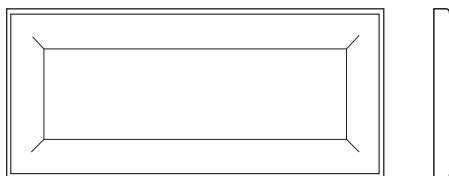
Edge Profile: F
Framing Bead: Regular
Panel: 996



Optional 5-Piece Drawer Front
See Drawer Height Chart #1



Optional Trinity Front (3-Piece)
↔ = Grain Direction



Optional Marcel Drawer Front (1" Thick)

STANDARD INFORMATION:

Overlay	Standard		
Panel Type	Raised Panel		
Standard Drawer Fronts	Slab		
OPTIONS: (by request)			
Drawer Front Upgrade (Per Drawer)	5 Piece: \$60	Trinity (3 Piece): \$50	Marcel (1" Thick): \$40
Edge Profile Change (Per Door/Drawer)	Available -\$30		
Inset ◇	Flush: +20%	Beaded (1/4" or 3/8"): +30%	Chamfer, Ogee, Stepped: +40%
Solid Reverse Panel (SRP)	-		
Beaded Panels	-		
Arched Doors	Cathedral Arch: \$0	Roman Arch: \$0	Crescent: \$115 (Per Door)
Victorian	\$95 per door		

Price Group C

	PAIN	GRADE	OAK	HICKORY	MAPLE	ALDER	CHERRY	1/4-SAWN OAK	WALNUT	BAMBOO ◇	RED BIRCH ◇	LYPTUS ◇
Clear	+0%	+0%	+7%	+7%	+7%	+15%	+40%	+40%	-	+40%	+40%	
Rustic	-	+0%	+7%	+7%	+7%	+15%	-	+40%	-	-	-	

STAIN FINISHES:

Cocoa	-	S	S	S	S	S	S	S	S	-	S	S
Ecru NEW	-	S	S	S	S	S	S	S	S	-	S	S
Stone NEW	-	S	S	S	S	S	S	S	S	-	S	S
Graphite	-	S	S	S	S	S	S	S	S	-	S	S
Greystone	-	S	S	S	S	S	S	S	S	-	S	S
Honey	-	S	S	S	S	S	S	S	S	-	S	S
Ivory	-	S	S	S	S	S	S	S	S	-	S	S
Java	-	S	S	S	S	S	S	S	S	-	S	S
Kodiak	-	S	S	S	S	S	S	S	S	-	S	S
Lilac NEW	-	S	S	S	S	S	S	S	S	-	S	S
Limestone	-	S	S	S	S	S	S	S	S	-	S	S
Natural	-	S	S	S	S	S	S	S	S	-	S	S
Umber NEW	-	S	S	S	S	S	S	S	S	-	S	S
Sage	-	S	S	S	S	S	S	S	S	-	S	S
Salem	-	S	S	S	S	S	S	S	S	-	S	S
Shale	-	S	S	S	S	S	S	S	S	-	S	S
Porcini NEW	-	S	S	S	S	S	S	S	S	-	S	S
Spice	-	S	S	S	S	S	S	S	S	-	S	S
Obsidian NEW	-	S	S	S	S	S	S	S	S	-	S	S
Straw NEW	-	S	S	S	S	S	S	S	S	-	S	S

PAINT FINISHES:

Azure NEW	+18%	+18%	-	+18%	+18%	-	-	-	-	-	-	-
Bright White NEW	+18%	+18%	-	+18%	+18%	-	-	-	-	-	-	-
Gibraltar Cliffs NEW	+18%	+18%	-	+18%	+18%	-	-	-	-	-	-	-
Glacier	+18%	+18%	-	+18%	+18%	-	-	-	-	-	-	-
Kendall Charcoal	+18%	+18%	-	+18%	+18%	-	-	-	-	-	-	-
Midnight	+18%	+18%	-	+18%	+18%	-	-	-	-	-	-	-
Olive NEW	+18%	+18%	-	+18%	+18%	-	-	-	-	-	-	-
Revere Pewter NEW	+18%	+18%	-	+18%	+18%	-	-	-	-	-	-	-
Regent Blue NEW	+18%	+18%	-	+18%	+18%	-	-	-	-	-	-	-
Smoke NEW	+18%	+18%	-	+18%	+18%	-	-	-	-	-	-	-
Solitude	+18%	+18%	-	+18%	+18%	-	-	-	-	-	-	-
Stonington Gray	+18%	+18%	-	+18%	+18%	-	-	-	-	-	-	-
Super White	+18%	+18%	-	+18%	+18%	-	-	-	-	-	-	-
White Dove	+18%	+18%	-	+18%	+18%	-	-	-	-	-	-	-
Classic Select Paints ●	+30%	+30%	-	+30%	+30%	-	-	-	-	-	-	-

FINISH ENHANCEMENTS:

Highlight Glaze	+8%	+8%	+8%	+8%	+8%	+8%	+8%	+8%	-	+8%	+8%
Antique Glaze	+15%	+15%	+15%	+15%	+15%	+15%	+15%	+15%	-	+15%	+15%
Old World ✕ ◇	-	+40%	+40%	+40%	+40%	+40%	+40%	+40%	-	+40%	+40%
Vintage ★	-	-	-	-	+15%	-	-	-	-	-	-
Bisque ★ ◇	-	-	-	-	+15%	-	-	-	-	-	-
Light Brush Stroke ★ ◇	+20%	+20%	-	+20%	-	-	-	-	-	-	-
Heavy Brush Stroke ★ ◇	+20%	+20%	-	+20%	-	-	-	-	-	-	-
Distressed	+5%	+5%	+5%	+5%	+5%	+5%	+5%	+5%	-	+5%	+5%
Pencil Edge Sanding ★	+8%	+8%	-	+8%	-	-	-	-	-	-	-

➤ ✕ = not available on paint finishes. ◇ = increases lead time by 10 days. ● = Increases lead times by 5 days.

➤ ★ = only available on paint finishes; see Finish Specifications section for color availability. Not available on rustic.

➤ Paint finishes are not available on rustic and require an Agreement of Understanding.

LANCASTER

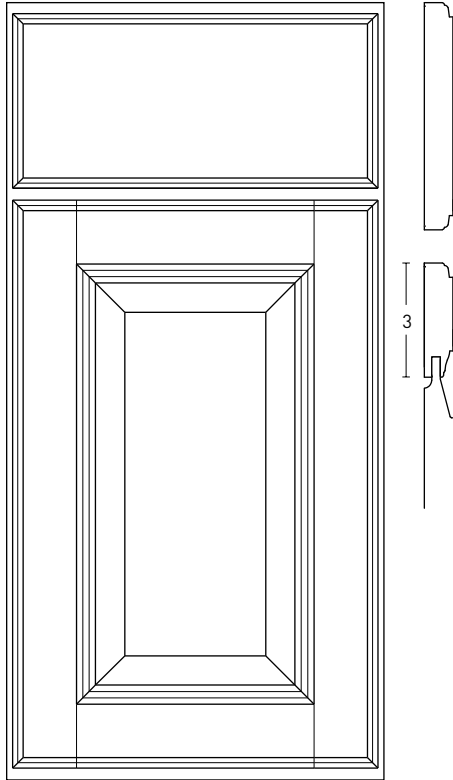
Standard Feature: **S**

Not Available: **—**

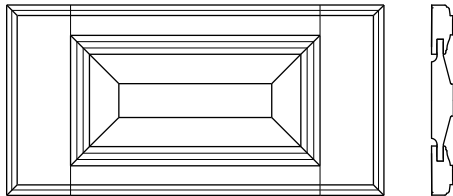
Price Group D

STANDARD INFORMATION:

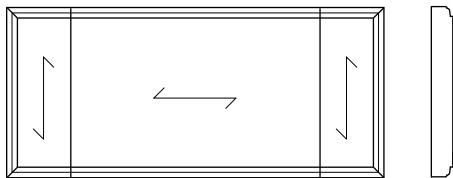
Overlay	Full
Panel Type	Raised Panel
Standard Drawer Fronts	Slab
OPTIONS: (by request)	
Drawer Front Upgrade (Per Drawer)	5-Piece: \$60 Trinity (3-Piece): \$50 Marcel (1" Thick): \$40
Edge Profile Change (Per Door/Drawer)	Available -\$30
Inset ◇	Flush: +20% Beaded (1/4" or 3/8"): +30% Chamfer, Ogee, Stepped: +40%
Solid Reverse Panel (SRP)	—
Beaded Panels	—
Arched Doors	—
Victorian	\$95 per door



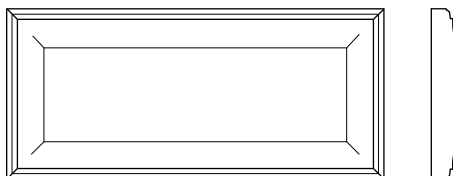
Edge Profile: I
Framing Bead: Elite
Panel: 991



Optional 5-Piece Drawer Front
See Drawer Height Chart #2



Optional Trinity Front (3-Piece)
↙ = Grain Direction



Optional Marcel Drawer Front (1" Thick)

	PAIN T GRADE	OAK	HICKORY	MAPLE	ALDER	CHERRY	1/2-SAMMOAK	WALNUT	BAMBOO ◇	RED BIRCH ◇	LYPTUS ◇
Clear	+0%	+0%	+7%	+7%	+7%	+15%	+40%	+40%	—	+40%	+40%
Rustic	—	+0%	+7%	+7%	+7%	+15%	—	+40%	—	—	—

STAIN FINISHES:

Cocoa	—	S	S	S	S	S	S	S	—	S	S
Ecru NEW	—	S	S	S	S	S	S	S	—	S	S
Stone NEW	—	S	S	S	S	S	S	S	—	S	S
Graphite	—	S	S	S	S	S	S	S	—	S	S
Greystone	—	S	S	S	S	S	S	S	—	S	S
Honey	—	S	S	S	S	S	S	S	—	S	S
Ivory	—	S	S	S	S	S	S	S	—	S	S
Java	—	S	S	S	S	S	S	S	—	S	S
Kodiak	—	S	S	S	S	S	S	S	—	S	S
Lilac NEW	—	S	S	S	S	S	S	S	—	S	S
Limestone	—	S	S	S	S	S	S	S	—	S	S
Natural	—	S	S	S	S	S	S	S	—	S	S
Umber NEW	—	S	S	S	S	S	S	S	—	S	S
Sage	—	S	S	S	S	S	S	S	—	S	S
Salem	—	S	S	S	S	S	S	S	—	S	S
Shale	—	S	S	S	S	S	S	S	—	S	S
Porcini NEW	—	S	S	S	S	S	S	S	—	S	S
Spice	—	S	S	S	S	S	S	S	—	S	S
Obsidian NEW	—	S	S	S	S	S	S	S	—	S	S
Straw NEW	—	S	S	S	S	S	S	S	—	S	S

PAINT FINISHES:

Azure NEW	+18%	+18%	—	+18%	+18%	—	—	—	—	—	—
Bright White NEW	+18%	+18%	—	+18%	+18%	—	—	—	—	—	—
Gibraltar Cliffs NEW	+18%	+18%	—	+18%	+18%	—	—	—	—	—	—
Glacier	+18%	+18%	—	+18%	+18%	—	—	—	—	—	—
Kendall Charcoal	+18%	+18%	—	+18%	+18%	—	—	—	—	—	—
Midnight	+18%	+18%	—	+18%	+18%	—	—	—	—	—	—
Olive NEW	+18%	+18%	—	+18%	+18%	—	—	—	—	—	—
Revere Pewter NEW	+18%	+18%	—	+18%	+18%	—	—	—	—	—	—
Regent Blue NEW	+18%	+18%	—	+18%	+18%	—	—	—	—	—	—
Smoke NEW	+18%	+18%	—	+18%	+18%	—	—	—	—	—	—
Solitude	+18%	+18%	—	+18%	+18%	—	—	—	—	—	—
Stonington Gray	+18%	+18%	—	+18%	+18%	—	—	—	—	—	—
Super White	+18%	+18%	—	+18%	+18%	—	—	—	—	—	—
White Dove	+18%	+18%	—	+18%	+18%	—	—	—	—	—	—
Classic Select Paints ●	+30%	+30%	—	+30%	+30%	—	—	—	—	—	—

FINISH ENHANCEMENTS:

Highlight Glaze	+8%	+8%	+8%	+8%	+8%	+8%	+8%	+8%	—	+8%	+8%
Antique Glaze	+15%	+15%	+15%	+15%	+15%	+15%	+15%	+15%	—	+15%	+15%
Old World ✕◇	—	+40%	+40%	+40%	+40%	+40%	+40%	+40%	—	+40%	+40%
Vintage ★	—	—	—	—	+15%	—	—	—	—	—	—
Bisque ★◇	—	—	—	—	+15%	—	—	—	—	—	—
Light Brush Stroke ★◇	+20%	+20%	—	+20%	—	—	—	—	—	—	—
Heavy Brush Stroke ★◇	—	+20%	—	+20%	—	—	—	—	—	—	—
Distressed	+5%	+5%	+5%	+5%	+5%	+5%	+5%	+5%	—	+5%	+5%
Pencil Edge Sanding ★	+8%	+8%	—	+8%	—	—	—	—	—	—	—

✕ = not available on paint finishes. ◇ = increases lead time by 10 days. ● = Increases lead times by 5 days.

★ = only available on paint finishes; see Finish Specifications section for color availability. Not available on rustic.

▷ Paint finishes are not available on rustic and require an Agreement of Understanding.

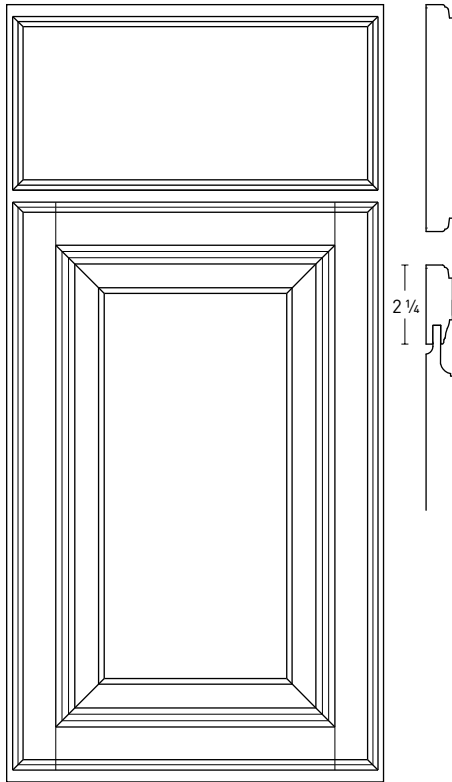
Door Styles

PREFERRED BY KARMAN

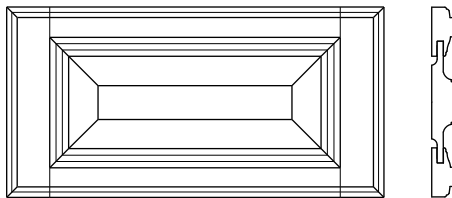
MADISON

Standard Feature: **S**

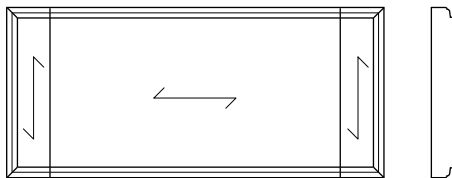
Not Available: **-**



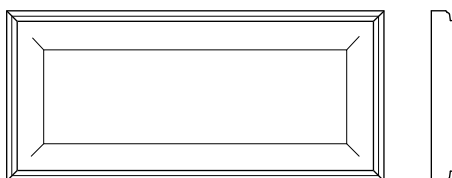
Edge Profile: I
Framing Bead: Elite
Panel: 996



Optional 5-Piece Drawer Front
See Drawer Height Chart #1



Optional Trinity Front (3-Piece)
↔ = Grain Direction



Optional Marcel Drawer Front (1" Thick)

STANDARD INFORMATION:

Overlay	Full
Panel Type	Raised Panel
Standard Drawer Fronts	Slab

OPTIONS: (by request)

Drawer Front Upgrade (Per Drawer)	5 Piece: \$60	Trinity (3 Piece): \$50	Marcel (1" Thick): \$40
Edge Profile Change (Per Door/Drawer)	Available -\$30		
Inset \diamond	Flush: +20%	Beaded (1/4" or 3/8"): +30%	Chamfer, Ogee, Stepped: +40%
Solid Reverse Panel (SRP)	-		
Beaded Panels	-		
Arched Doors	-		
Victorian	\$95 per door		

Price Group D

	PAIN	GRA	OAK	HICKORY	MAPLE	ALDER	CHE	1/4-SAWNOAK	WALNUT	BAMBOO \square	RED BIRCH \square	LYPTUS \square
Clear	+0%	+0%	+7%	+7%	+7%	+15%	+40%	+40%	-	+40%	+40%	
Rustic	-	+0%	+7%	+7%	+7%	+15%	-	+40%	-	-	-	

STAIN FINISHES:

Cocoa	-	S	S	S	S	S	S	S	-	S	S
Ecru NEW	-	S	S	S	S	S	S	S	-	S	S
Stone NEW	-	S	S	S	S	S	S	S	-	S	S
Graphite	-	S	S	S	S	S	S	S	-	S	S
Greystone	-	S	S	S	S	S	S	S	-	S	S
Honey	-	S	S	S	S	S	S	S	-	S	S
Ivory	-	S	S	S	S	S	S	S	-	S	S
Java	-	S	S	S	S	S	S	S	-	S	S
Kodiak	-	S	S	S	S	S	S	S	-	S	S
Lilac NEW	-	S	S	S	S	S	S	S	-	S	S
Limestone	-	S	S	S	S	S	S	S	-	S	S
Natural	-	S	S	S	S	S	S	S	-	S	S
Umber NEW	-	S	S	S	S	S	S	S	-	S	S
Sage	-	S	S	S	S	S	S	S	-	S	S
Salem	-	S	S	S	S	S	S	S	-	S	S
Shale	-	S	S	S	S	S	S	S	-	S	S
Porcini NEW	-	S	S	S	S	S	S	S	-	S	S
Spice	-	S	S	S	S	S	S	S	-	S	S
Obsidian NEW	-	S	S	S	S	S	S	S	-	S	S
Straw NEW	-	S	S	S	S	S	S	S	-	S	S

PAINT FINISHES:

Azure NEW	+18%	+18%	-	+18%	+18%	-	-	-	-	-	-
Bright White NEW	+18%	+18%	-	+18%	+18%	-	-	-	-	-	-
Gibraltar Cliffs NEW	+18%	+18%	-	+18%	+18%	-	-	-	-	-	-
Glacier	+18%	+18%	-	+18%	+18%	-	-	-	-	-	-
Kendall Charcoal	+18%	+18%	-	+18%	+18%	-	-	-	-	-	-
Midnight	+18%	+18%	-	+18%	+18%	-	-	-	-	-	-
Olive NEW	+18%	+18%	-	+18%	+18%	-	-	-	-	-	-
Revere Pewter NEW	+18%	+18%	-	+18%	+18%	-	-	-	-	-	-
Regent Blue NEW	+18%	+18%	-	+18%	+18%	-	-	-	-	-	-
Smoke NEW	+18%	+18%	-	+18%	+18%	-	-	-	-	-	-
Solitude	+18%	+18%	-	+18%	+18%	-	-	-	-	-	-
Stonington Gray	+18%	+18%	-	+18%	+18%	-	-	-	-	-	-
Super White	+18%	+18%	-	+18%	+18%	-	-	-	-	-	-
White Dove	+18%	+18%	-	+18%	+18%	-	-	-	-	-	-
Classic Select Paints \bullet	+30%	+30%	-	+30%	+30%	-	-	-	-	-	-

FINISH ENHANCEMENTS:

Highlight Glaze	+8%	+8%	+8%	+8%	+8%	+8%	+8%	+8%	-	+8%	+8%
Antique Glaze	+15%	+15%	+15%	+15%	+15%	+15%	+15%	+15%	-	+15%	+15%
Old World $\times \diamond$	-	+40%	+40%	+40%	+40%	+40%	+40%	+40%	-	+40%	+40%
Vintage \star	-	-	-	-	+15%	-	-	-	-	-	-
Bisque $\star \diamond$	-	-	-	-	+15%	-	-	-	-	-	-
Light Brush Stroke $\star \diamond$	+20%	+20%	-	+20%	-	-	-	-	-	-	-
Heavy Brush Stroke $\star \diamond$	+20%	+20%	-	+20%	-	-	-	-	-	-	-
Distressed	+5%	+5%	+5%	+5%	+5%	+5%	+5%	+5%	-	+5%	+5%
Pencil Edge Sanding \star	+8%	+8%	-	+8%	-	-	-	-	-	-	-

\times = not available on paint finishes. \diamond = increases lead time by 10 days. \bullet = Increases lead times by 5 days.

\star = only available on paint finishes; see Finish Specifications section for color availability. Not available on rustic.

$\star \diamond$ = Paint finishes are not available on rustic and require an Agreement of Understanding.

MEADOWBROOK

Standard Feature: **S**

Not Available: **—**

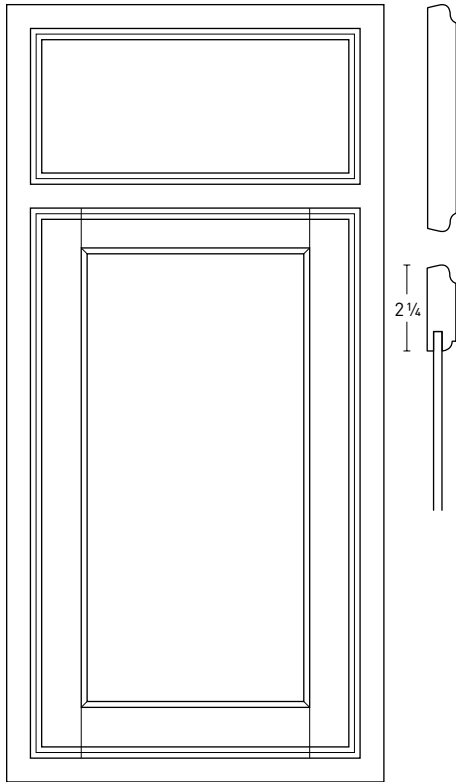
Price Group A

STANDARD INFORMATION:

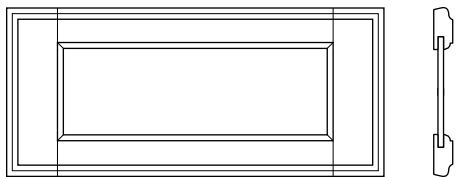
Overlay	Standard
Panel Type	5.2 mm Recessed Panel
Standard Drawer Fronts	Slab

OPTIONS: (by request)

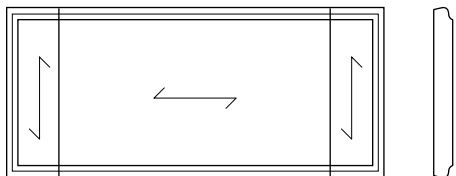
Drawer Front Upgrade (Per Drawer)	5-Piece: \$60	Trinity (3-Piece): \$50	Marcel (1" Thick): \$40
Edge Profile Change (Per Door/Drawer)	Available -\$30		
Inset \diamond	-		
Solid Reverse Panel (SRP)	+20%		
Beaded Panels \blacktriangle	+5%		
Arched Doors	Cathedral Arch: \$0	Roman Arch: \$0	Crescent: \$115 (Per Door)
Victorian	\$95 per door		



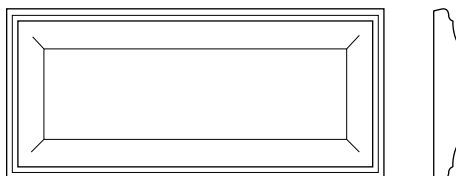
Edge Profile: A
Framing Bead: Regular
Panel: 992 (5.2mm)



Optional 5-Piece Drawer Front
See Drawer Height Chart #1



Optional Trinity Front (3-Piece)
↙ = Grain Direction



Optional Marcel Drawer Front (1" Thick)

	PAIN'T GRADE	OAK	HICKORY	MAPLE	ALDER	CHERRY	1/2-SAMMOAK	WALNUT	BAMBOO \square	RED BIRCH \square	LYPTUS \square
Clear	+0%	+0%	+7%	+7%	+7%	+15%	+40%	+40%	+40%	+40%	+40%
Rustic	-	+0%	+7% \blacktriangle	+7%	+7%	+15%	-	+40%	-	-	-

STAIN FINISHES:

Cocoa	-	S	S	S	S	S	S	S	-	S	S
Ecru NEW	-	S	S	S	S	S	S	S	-	S	S
Stone NEW	-	S	S	S	S	S	S	S	-	S	S
Graphite	-	S	S	S	S	S	S	S	-	S	S
Greystone	-	S	S	S	S	S	S	S	-	S	S
Honey	-	S	S	S	S	S	S	S	-	S	S
Ivory	-	S	S	S	S	S	S	S	-	S	S
Java	-	S	S	S	S	S	S	S	-	S	S
Kodiak	-	S	S	S	S	S	S	S	-	S	S
Lilac NEW	-	S	S	S	S	S	S	S	-	S	S
Limestone	-	S	S	S	S	S	S	S	-	S	S
Natural	-	S	S	S	S	S	S	S	-	S	S
Umber NEW	-	S	S	S	S	S	S	S	-	S	S
Sage	-	S	S	S	S	S	S	S	-	S	S
Salem	-	S	S	S	S	S	S	S	-	S	S
Shale	-	S	S	S	S	S	S	S	-	S	S
Porcini NEW	-	S	S	S	S	S	S	S	-	S	S
Spice	-	S	S	S	S	S	S	S	-	S	S
Obsidian NEW	-	S	S	S	S	S	S	S	-	S	S
Straw NEW	-	S	S	S	S	S	S	S	-	S	S

PAINT FINISHES:

Azure NEW	+18%	+18%	-	+18%	+18%	-	-	-	-	-	-
Bright White NEW	+18%	+18%	-	+18%	+18%	-	-	-	-	-	-
Gibraltar Cliffs NEW	+18%	+18%	-	+18%	+18%	-	-	-	-	-	-
Glacier	+18%	+18%	-	+18%	+18%	-	-	-	-	-	-
Kendall Charcoal	+18%	+18%	-	+18%	+18%	-	-	-	-	-	-
Midnight	+18%	+18%	-	+18%	+18%	-	-	-	-	-	-
Olive NEW	+18%	+18%	-	+18%	+18%	-	-	-	-	-	-
Revere Pewter NEW	+18%	+18%	-	+18%	+18%	-	-	-	-	-	-
Regent Blue NEW	+18%	+18%	-	+18%	+18%	-	-	-	-	-	-
Smoke NEW	+18%	+18%	-	+18%	+18%	-	-	-	-	-	-
Solitude	+18%	+18%	-	+18%	+18%	-	-	-	-	-	-
Stonington Gray	+18%	+18%	-	+18%	+18%	-	-	-	-	-	-
Super White	+18%	+18%	-	+18%	+18%	-	-	-	-	-	-
White Dove	+18%	+18%	-	+18%	+18%	-	-	-	-	-	-
Classic Select Paints \bullet	+30%	+30%	-	+30%	+30%	-	-	-	-	-	-

FINISH ENHANCEMENTS:

Highlight Glaze	+8%	+8%	+8%	+8%	+8%	+8%	+8%	+8%	+8%	+8%	+8%
Antique Glaze	+15%	+15%	+15%	+15%	+15%	+15%	+15%	+15%	+15%	+15%	+15%
Old World $\times \diamond$	-	+40%	+40%	+40%	+40%	+40%	+40%	+40%	+40%	+40%	+40%
Vintage \star	-	-	-	-	+15%	-	-	-	-	-	-
Bisque $\star \diamond$	-	-	-	-	+15%	-	-	-	-	-	-
Light Brush Stroke $\star \diamond$	+20%	+20%	-	+20%	-	-	-	-	-	-	-
Heavy Brush Stroke $\star \diamond$	+20%	+20%	-	+20%	-	-	-	-	-	-	-
Distressed	+5%	+5%	+5%	+5%	+5%	+5%	+5%	+5%	+5%	+5%	+5%
Pencil Edge Sanding \star	+8%	+8%	-	+8%	-	-	-	-	-	-	-

\blacktriangle = SRP required. \times = not available on paint finishes. \diamond = increases lead time by 10 days. \bullet = Increases lead times by 5 days.

\star = only available on paint finishes; see Finish Specifications section for color availability. Not available on rustic.

\times Paint finishes are not available on rustic and require an Agreement of Understanding.

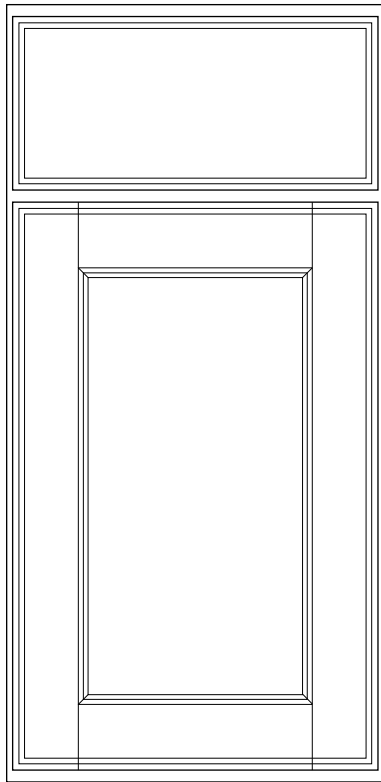
Door Styles

PREFERRED BY KARMAN

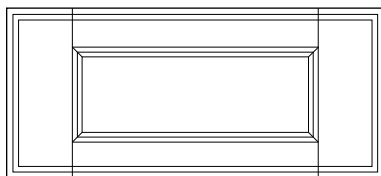
MEDFORD

Standard Feature: **S**

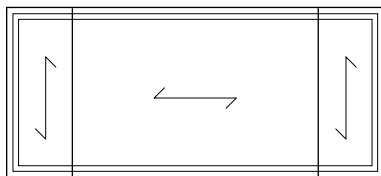
Not Available: **-**



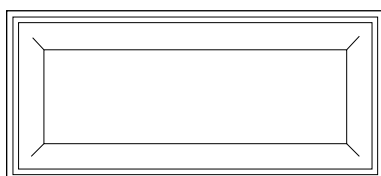
Edge Profile: E
Framing Bead: Ogee
Panel: 992 (5.2 mm)



Optional 5-Piece Drawer Front
See Drawer Height Chart #2



Optional Trinity Front (3-Piece)
↔ = Grain Direction



Optional Marcel Drawer Front (1" Thick)

STANDARD INFORMATION:

Overlay	Full
Panel Type	5.2mm Recessed Panel
Standard Drawer Fronts	Slab

OPTIONS: (by request)

Drawer Front Upgrade (Per Drawer)	5 Piece: \$60	Trinity (3 Piece): \$50	Marcel (1" Thick): \$40
Edge Profile Change (Per Door/Drawer)	Available -\$30		
Inset ◆	Flush: +20%	Beaded (1/4" or 3/8"): +30%	Chamfer, Ogee, Stepped: +40%
Solid Reverse Panel (SRP)	+20%		
Beaded Panels ▲	+5%		
Arched Doors	Roman Arch: \$0	Crescent: \$115 (Per Door)	
Victorian	\$95 per door		

Price Group C

	PAINIT GRADE	OAK	HICKORY	MAPLE	ALDER	CHERRY	1/4-SAWN OAK	WALNUT	BAMBOO ◆	RED BIRCH ◆	LYPTUS ◆
Clear	+0%	+0%	+7%	+7%	+7%	+15%	+40%	+40%	+40%	+40%	+40%
Rustic	-	+0%	+7%▲	+7%	+7%	+15%	-	+40%	-	-	-

STAIN FINISHES:

Cocoa	-	S	S	S	S	S	S	S	S	S	S
Ecru NEW	-	S	S	S	S	S	S	S	S	S	S
Stone NEW	-	S	S	S	S	S	S	S	S	S	S
Graphite	-	S	S	S	S	S	S	S	S	S	S
Greystone	-	S	S	S	S	S	S	S	S	S	S
Honey	-	S	S	S	S	S	S	S	S	S	S
Ivory	-	S	S	S	S	S	S	S	S	S	S
Java	-	S	S	S	S	S	S	S	S	S	S
Kodiak	-	S	S	S	S	S	S	S	S	S	S
Lilac NEW	-	S	S	S	S	S	S	S	S	S	S
Limestone	-	S	S	S	S	S	S	S	S	S	S
Natural	-	S	S	S	S	S	S	S	S	S	S
Umber NEW	-	S	S	S	S	S	S	S	S	S	S
Sage	-	S	S	S	S	S	S	S	S	S	S
Salem	-	S	S	S	S	S	S	S	S	S	S
Shale	-	S	S	S	S	S	S	S	S	S	S
Porcini NEW	-	S	S	S	S	S	S	S	S	S	S
Spice	-	S	S	S	S	S	S	S	S	S	S
Obsidian NEW	-	S	S	S	S	S	S	S	S	S	S
Straw NEW	-	S	S	S	S	S	S	S	S	S	S

PAINT FINISHES:

Azure NEW	+18%	+18%	-	+18%	+18%	-	-	-	-	-	-
Bright White NEW	+18%	+18%	-	+18%	+18%	-	-	-	-	-	-
Gibraltar Cliffs NEW	+18%	+18%	-	+18%	+18%	-	-	-	-	-	-
Glacier	+18%	+18%	-	+18%	+18%	-	-	-	-	-	-
Kendall Charcoal	+18%	+18%	-	+18%	+18%	-	-	-	-	-	-
Midnight	+18%	+18%	-	+18%	+18%	-	-	-	-	-	-
Olive NEW	+18%	+18%	-	+18%	+18%	-	-	-	-	-	-
Revere Pewter NEW	+18%	+18%	-	+18%	+18%	-	-	-	-	-	-
Regent Blue NEW	+18%	+18%	-	+18%	+18%	-	-	-	-	-	-
Smoke NEW	+18%	+18%	-	+18%	+18%	-	-	-	-	-	-
Solitude	+18%	+18%	-	+18%	+18%	-	-	-	-	-	-
Stonington Gray	+18%	+18%	-	+18%	+18%	-	-	-	-	-	-
Super White	+18%	+18%	-	+18%	+18%	-	-	-	-	-	-
White Dove	+18%	+18%	-	+18%	+18%	-	-	-	-	-	-
Classic Select Paints ●	+30%	+30%	-	+30%	+30%	-	-	-	-	-	-

FINISH ENHANCEMENTS:

Highlight Glaze	+8%	+8%	+8%	+8%	+8%	+8%	+8%	+8%	+8%	+8%	+8%
Antique Glaze	+15%	+15%	+15%	+15%	+15%	+15%	+15%	+15%	+15%	+15%	+15%
Old World ✕◆	-	+40%	+40%	+40%	+40%	+40%	+40%	+40%	+40%	+40%	+40%
Vintage ★	-	-	-	-	+15%	-	-	-	-	-	-
Bisque ★◆	-	-	-	-	+15%	-	-	-	-	-	-
Light Brush Stroke ★◆	+20%	+20%	-	+20%	-	-	-	-	-	-	-
Heavy Brush Stroke ★◆	+20%	+20%	-	+20%	-	-	-	-	-	-	-
Distressed	+5%	+5%	+5%	+5%	+5%	+5%	+5%	+5%	+5%	+5%	+5%
Pencil Edge Sanding ★	+8%	+8%	-	+8%	-	-	-	-	-	-	-

» ▲ = SRP required. ✕ = not available on paint finishes. ◆ = increases lead time by 10 days. ● = Increases lead times by 5 days.

» ★ = only available on paint finishes, see Finish Specifications section for color availability. Not available on rustic.

» Paint finishes are not available on rustic and require an Agreement of Understanding.

MESA

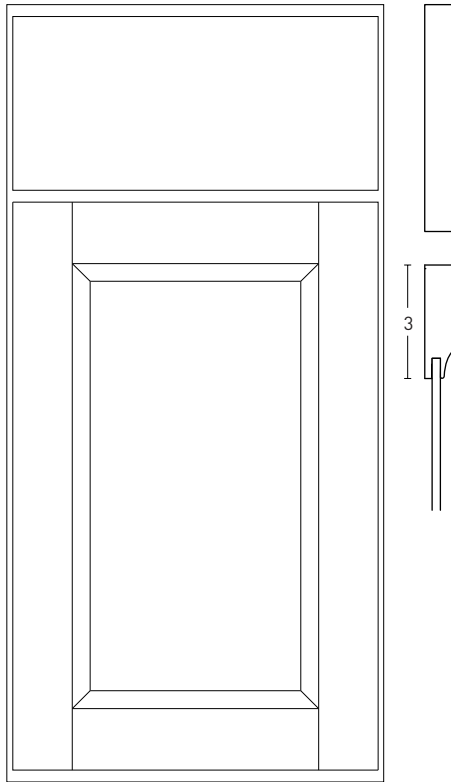
Standard Feature: **S**

Not Available: **—**

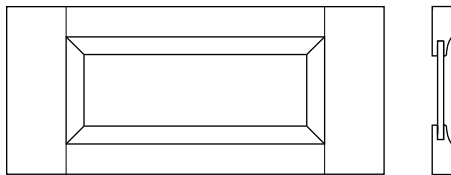
Price Group C

STANDARD INFORMATION:

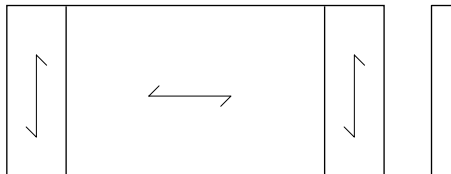
Overlay	Full
Panel Type	5.2 mm Recessed Panel
Standard Drawer Fronts	Slab
OPTIONS: (by request)	
Drawer Front Upgrade (Per Drawer)	5-Piece: \$60 Trinity (3-Piece): \$50 Marcel (1" Thick): \$40
Edge Profile Change (Per Door/Drawer)	Available -\$30
Inset \diamond	Flush: +20% Beaded (1/4" or 3/8"): +30% Chamfer, Ogee, Stepped: +40%
Solid Reverse Panel (SRP)	+20%
Beaded Panels \blacktriangle	+5%
Arched Doors	—
Victorian	\$95 per door



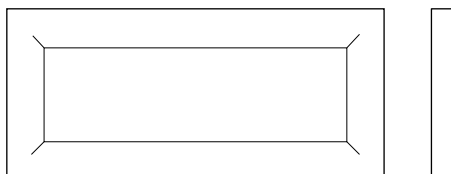
Edge Profile: C
Framing Bead: Cove
Panel: 992 (5.2 mm)



Optional 5-Piece Drawer Front
See Drawer Height Chart #2



Optional Trinity Front (3-Piece)
↔ = Grain Direction



Optional Marcel Drawer Front (1" Thick)

	PAIN	GRADE	OAK	HICKORY	MAPLE	ALDER	CHERRY	1/2-SAM	WALNUT	BAMBOO	RED BIRCH	LYPTUS
Clear	+0%	+0%	+7%	+7%	+7%	+15%	+40%	+40%	+40%	+40%	+40%	+40%
Rustic	—	+0%	+7% \blacktriangle	+7%	+7%	+15%	—	+40%	—	—	—	—

STAIN FINISHES:

Cocoa	—	S	S	S	S	S	S	S	S	S	S	S
Ecu NEW	—	S	S	S	S	S	S	S	S	S	S	S
Stone NEW	—	S	S	S	S	S	S	S	S	S	S	S
Graphite	—	S	S	S	S	S	S	S	S	S	S	S
Greystone	—	S	S	S	S	S	S	S	S	S	S	S
Honey	—	S	S	S	S	S	S	S	S	S	S	S
Ivory	—	S	S	S	S	S	S	S	S	S	S	S
Java	—	S	S	S	S	S	S	S	S	S	S	S
Kodiak	—	S	S	S	S	S	S	S	S	S	S	S
Lilac NEW	—	S	S	S	S	S	S	S	S	S	S	S
Limestone	—	S	S	S	S	S	S	S	S	S	S	S
Natural	—	S	S	S	S	S	S	S	S	S	S	S
Umber NEW	—	S	S	S	S	S	S	S	S	S	S	S
Sage	—	S	S	S	S	S	S	S	S	S	S	S
Salem	—	S	S	S	S	S	S	S	S	S	S	S
Shale	—	S	S	S	S	S	S	S	S	S	S	S
Porcini NEW	—	S	S	S	S	S	S	S	S	S	S	S
Spice	—	S	S	S	S	S	S	S	S	S	S	S
Obsidian NEW	—	S	S	S	S	S	S	S	S	S	S	S
Straw NEW	—	S	S	S	S	S	S	S	S	S	S	S

PAINT FINISHES:

Azure NEW	+18%	+18%	—	+18%	+18%	—	—	—	—	—	—	—
Bright White NEW	+18%	+18%	—	+18%	+18%	—	—	—	—	—	—	—
Gibraltar Cliffs NEW	+18%	+18%	—	+18%	+18%	—	—	—	—	—	—	—
Glacier	+18%	+18%	—	+18%	+18%	—	—	—	—	—	—	—
Kendall Charcoal	+18%	+18%	—	+18%	+18%	—	—	—	—	—	—	—
Midnight	+18%	+18%	—	+18%	+18%	—	—	—	—	—	—	—
Olive NEW	+18%	+18%	—	+18%	+18%	—	—	—	—	—	—	—
Revere Pewter NEW	+18%	+18%	—	+18%	+18%	—	—	—	—	—	—	—
Regent Blue NEW	+18%	+18%	—	+18%	+18%	—	—	—	—	—	—	—
Smoke NEW	+18%	+18%	—	+18%	+18%	—	—	—	—	—	—	—
Solitude	+18%	+18%	—	+18%	+18%	—	—	—	—	—	—	—
Stonington Gray	+18%	+18%	—	+18%	+18%	—	—	—	—	—	—	—
Super White	+18%	+18%	—	+18%	+18%	—	—	—	—	—	—	—
White Dove	+18%	+18%	—	+18%	+18%	—	—	—	—	—	—	—
Classic Select Paints \bullet	+30%	+30%	—	+30%	+30%	—	—	—	—	—	—	—

FINISH ENHANCEMENTS:

Highlight Glaze	+8%	+8%	+8%	+8%	+8%	+8%	+8%	+8%	+8%	+8%	+8%	+8%
Antique Glaze	+15%	+15%	+15%	+15%	+15%	+15%	+15%	+15%	+15%	+15%	+15%	+15%
Old World $\times \diamond$	—	+40%	+40%	+40%	+40%	+40%	+40%	+40%	+40%	+40%	+40%	+40%
Vintage \star	—	—	—	—	+15%	—	—	—	—	—	—	—
Bisque $\star \diamond$	—	—	—	—	+15%	—	—	—	—	—	—	—
Light Brush Stroke $\star \diamond$	+20%	+20%	—	+20%	—	—	—	—	—	—	—	—
Heavy Brush Stroke $\star \diamond$	+20%	+20%	—	+20%	—	—	—	—	—	—	—	—
Distressed	+5%	+5%	+5%	+5%	+5%	+5%	+5%	+5%	+5%	+5%	+5%	+5%
Pencil Edge Sanding \star	+8%	+8%	—	+8%	—	—	—	—	—	—	—	—

\blacktriangle = SRP required. \times = not available on paint finishes. \diamond = increases lead time by 10 days. \bullet = Increases lead times by 5 days.
 \star = only available on paint finishes; see Finish Specifications section for color availability. Not available on rustic.
 \times Paint finishes are not available on rustic and require an Agreement of Understanding.

Door Styles

PREFERRED BY KARMAN

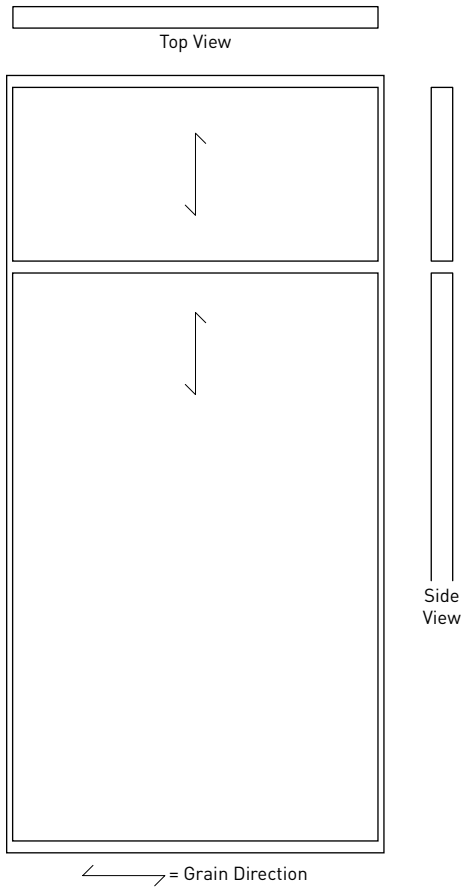
METRO

Lead times will be increased by 10 working days

Standard Feature: S

Not Available: -

Price Group F



- Doors have 3mm solid lumber edge. Solid lumber edge captured by veneer.
- Vertical grain comes standard.

PLEASE NOTE

-Engineered core material is used on Finished Ends. This will provide a Finished End that has the same veneer cut as the Seville Door.

*For Example: 1/4 Sawn Walnut Veneers will be present on the Seville Door and any Finished Ends

*In All Plywood construction these Finished Ends will be Engineered core with wood veneers instead of plywood.

STANDARD INFORMATION:

Overlay	Full
Panel Type	Engineered Core Slab with Wood Veneer
Standard Drawer Fronts	Engineered Core Slab with Wood Veneer

OPTIONS: (by request)

Drawer Front Upgrade (Per Drawer)	-
Edge Profile Change (Per Door/Drawer)	-
Inset ◇	-
Solid Reverse Panel (SRP)	-
Beaded Panels	-
Arched Doors	-
Victorian	-

	PAINT GRADE	PLANSLICED RED OAK	PLANSLICED HICKORY	1/4-SAWN MAPLE	PLANSLICED ALDER	1/4-SAWN CHERRY	RIEFCUT WHITE OAK	1/4-SAWN WALNUT	BAMBOO ◇	REDBIRCH ◇	LYPTUS ◇
Clear	+0%	+0%	+7%	+7%	+7%	+15%	+40%	+40%	+40%	-	-
Rustic	-	-	-	-	-	-	-	-	-	-	-

STAIN FINISHES:

Cocoa	-	S	S	S	S	S	S	S	S	-	-
Ecru ^{NEW}	-	S	S	S	S	S	S	S	S	-	-
Stone ^{NEW}	-	S	S	S	S	S	S	S	S	-	-
Graphite	-	S	S	S	S	S	S	S	S	-	-
Greystone	-	S	S	S	S	S	S	S	S	-	-
Honey	-	S	S	S	S	S	S	S	S	-	-
Ivory	-	S	S	S	S	S	S	S	S	-	-
Java	-	S	S	S	S	S	S	S	S	-	-
Kodiak	-	S	S	S	S	S	S	S	S	-	-
Lilac ^{NEW}	-	S	S	S	S	S	S	S	S	-	-
Limestone	-	S	S	S	S	S	S	S	S	-	-
Natural	-	S	S	S	S	S	S	S	S	-	-
Umber ^{NEW}	-	S	S	S	S	S	S	S	S	-	-
Sage	-	S	S	S	S	S	S	S	S	-	-
Salem	-	S	S	S	S	S	S	S	S	-	-
Shale	-	S	S	S	S	S	S	S	S	-	-
Porcini ^{NEW}	-	S	S	S	S	S	S	S	S	-	-
Spice	-	S	S	S	S	S	S	S	S	-	-
Obsidian ^{NEW}	-	S	S	S	S	S	S	S	S	-	-
Straw ^{NEW}	-	S	S	S	S	S	S	S	S	-	-

PAINT FINISHES:

Azure ^{NEW}	+18%	+18%	-	+18%	+18%	-	-	-	-	-	-
Bright White ^{NEW}	+18%	+18%	-	+18%	+18%	-	-	-	-	-	-
Gibraltar Cliffs ^{NEW}	+18%	+18%	-	+18%	+18%	-	-	-	-	-	-
Glacier	+18%	+18%	-	+18%	+18%	-	-	-	-	-	-
Kendall Charcoal	+18%	+18%	-	+18%	+18%	-	-	-	-	-	-
Midnight	+18%	+18%	-	+18%	+18%	-	-	-	-	-	-
Olive ^{NEW}	+18%	+18%	-	+18%	+18%	-	-	-	-	-	-
Reverse Pewter ^{NEW}	+18%	+18%	-	+18%	+18%	-	-	-	-	-	-
Regent Blue ^{NEW}	+18%	+18%	-	+18%	+18%	-	-	-	-	-	-
Smoke ^{NEW}	+18%	+18%	-	+18%	+18%	-	-	-	-	-	-
Solitude	+18%	+18%	-	+18%	+18%	-	-	-	-	-	-
Stonington Gray	+18%	+18%	-	+18%	+18%	-	-	-	-	-	-
Super White	+18%	+18%	-	+18%	+18%	-	-	-	-	-	-
White Dove	+18%	+18%	-	+18%	+18%	-	-	-	-	-	-
Classic Select Paints ●	+30%	+30%	-	+30%	+30%	-	-	-	-	-	-

FINISH ENHANCEMENTS:

Highlight Glaze	-	-	-	-	-	-	-	-	-	-	-
Antique Glaze	-	+15%	+15%	+15%	+15%	+15%	+15%	+15%	+15%	-	-
Old World ✕ ◇	-	-	-	-	-	-	-	-	-	-	-
Vintage ★	-	-	-	-	-	-	-	-	-	-	-
Bisque ★ ◇	-	-	-	-	-	-	-	-	-	-	-
Light Brush Stroke ★ ◇	+20%	+20%	-	+20%	-	-	-	-	-	-	-
Heavy Brush Stroke ★ ◇	+20%	+20%	-	+20%	-	-	-	-	-	-	-
Distressed	-	-	-	-	-	-	-	-	-	-	-
Pencil Edge Sanding ★	-	-	-	-	-	-	-	-	-	-	-

- ✕ = not available on paint finishes. ◇ = increases lead time by 10 days. ● = Increases lead times by 5 days.
- ★ = only available on paint finishes; see Finish Specifications section for color availability. Not available on rustic.
- Paint finishes are not available on rustic and require an Agreement of Understanding.

MILAN

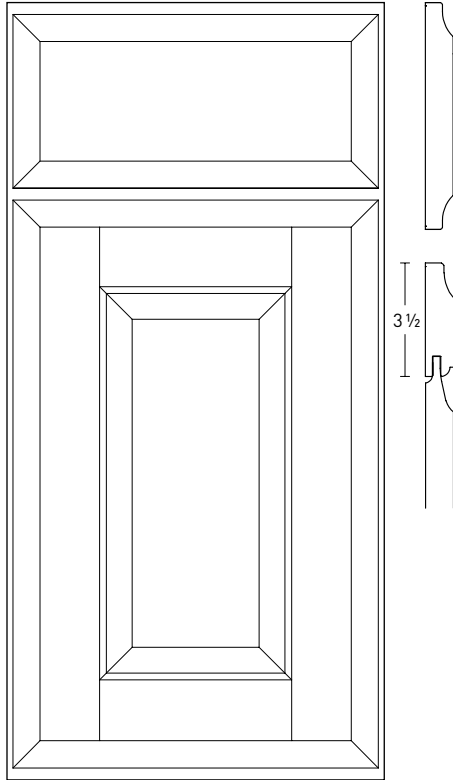
Standard Feature: **S**

Not Available: **—**

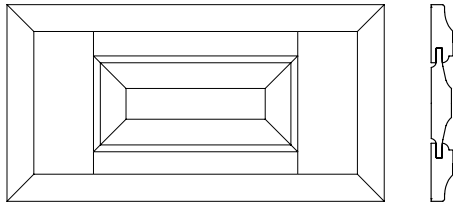
Price Group D

STANDARD INFORMATION:

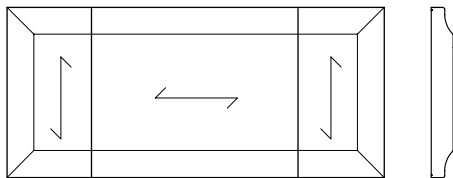
Overlay	Full
Panel Type	Raised Panel
Standard Drawer Fronts	Slab
OPTIONS: (by request)	
Drawer Front Upgrade (Per Drawer)	5 Piece: \$60 Trinity (3 Piece): \$50
Edge Profile Change (Per Door/Drawer)	Available -\$30
Inset \diamond	Flush: +20% Beaded (1/4" or 3/8"): +30% Chamfer, Ogee, Stepped: +40%
Solid Reverse Panel (SRP)	—
Beaded Panels	—
Arched Doors	Crescent: \$115 (Per Door)
Victorian	\$95 per door



Edge Profile: H
Framing Bead: Regular
Panel: 998



Optional 5-Piece Drawer Front
See Drawer Height Chart #4



Optional Trinity Front (3-Piece)
↙ ↘ = Grain Direction

	PAIN T GRADE	OAK	HICKORY	MAPLE	ALDER	CHERRY	1/2-SAWN OAK	WALNUT	BAMBOO \square	RED BIRCH \square	LYPTUS \square
Clear	+0%	+0%	+7%	+7%	+7%	+15%	+40%	+40%	—	+40%	+40%
Rustic	—	+0%	+7%	+7%	+7%	+15%	—	+40%	—	—	—

STAIN FINISHES:

Cocoa	—	S	S	S	S	S	S	S	—	S	S
Ecru NEW	—	S	S	S	S	S	S	S	—	S	S
Stone NEW	—	S	S	S	S	S	S	S	—	S	S
Graphite	—	S	S	S	S	S	S	S	—	S	S
Greystone	—	S	S	S	S	S	S	S	—	S	S
Honey	—	S	S	S	S	S	S	S	—	S	S
Ivory	—	S	S	S	S	S	S	S	—	S	S
Java	—	S	S	S	S	S	S	S	—	S	S
Kodiak	—	S	S	S	S	S	S	S	—	S	S
Lilac NEW	—	S	S	S	S	S	S	S	—	S	S
Limestone	—	S	S	S	S	S	S	S	—	S	S
Natural	—	S	S	S	S	S	S	S	—	S	S
Umber NEW	—	S	S	S	S	S	S	S	—	S	S
Sage	—	S	S	S	S	S	S	S	—	S	S
Salem	—	S	S	S	S	S	S	S	—	S	S
Shale	—	S	S	S	S	S	S	S	—	S	S
Porcini NEW	—	S	S	S	S	S	S	S	—	S	S
Spice	—	S	S	S	S	S	S	S	—	S	S
Obsidian NEW	—	S	S	S	S	S	S	S	—	S	S
Straw NEW	—	S	S	S	S	S	S	S	—	S	S

PAINT FINISHES:

Azure NEW	+18%	+18%	—	+18%	+18%	—	—	—	—	—	—
Bright White NEW	+18%	+18%	—	+18%	+18%	—	—	—	—	—	—
Gibraltar Cliffs NEW	+18%	+18%	—	+18%	+18%	—	—	—	—	—	—
Glacier	+18%	+18%	—	+18%	+18%	—	—	—	—	—	—
Kendall Charcoal	+18%	+18%	—	+18%	+18%	—	—	—	—	—	—
Midnight	+18%	+18%	—	+18%	+18%	—	—	—	—	—	—
Olive NEW	+18%	+18%	—	+18%	+18%	—	—	—	—	—	—
Revere Pewter NEW	+18%	+18%	—	+18%	+18%	—	—	—	—	—	—
Regent Blue NEW	+18%	+18%	—	+18%	+18%	—	—	—	—	—	—
Smoke NEW	+18%	+18%	—	+18%	+18%	—	—	—	—	—	—
Solitude	+18%	+18%	—	+18%	+18%	—	—	—	—	—	—
Stonington Gray	+18%	+18%	—	+18%	+18%	—	—	—	—	—	—
Super White	+18%	+18%	—	+18%	+18%	—	—	—	—	—	—
White Dove	+18%	+18%	—	+18%	+18%	—	—	—	—	—	—
Classic Select Paints \bullet	+30%	+30%	—	+30%	+30%	—	—	—	—	—	—

FINISH ENHANCEMENTS:

Highlight Glaze	+8%	+8%	+8%	+8%	+8%	+8%	+8%	+8%	—	+8%	+8%
Antique Glaze	+15%	+15%	+15%	+15%	+15%	+15%	+15%	+15%	—	+15%	+15%
Old World $\times \diamond$	—	+40%	+40%	+40%	+40%	+40%	+40%	+40%	—	+40%	+40%
Vintage \star	—	—	—	—	+15%	—	—	—	—	—	—
Bisque $\star \diamond$	—	—	—	—	+15%	—	—	—	—	—	—
Light Brush Stroke $\star \diamond$	+20%	+20%	—	+20%	—	—	—	—	—	—	—
Heavy Brush Stroke $\star \diamond$	+20%	+20%	—	+20%	—	—	—	—	—	—	—
Distressed	+5%	+5%	+5%	+5%	+5%	+5%	+5%	+5%	—	+5%	+5%
Pencil Edge Sanding \star	+8%	+8%	—	+8%	—	—	—	—	—	—	—

\times = not available on paint finishes. \diamond = increases lead time by 10 days. \bullet = Increases lead times by 5 days.

\star = only available on paint finishes; see Finish Specifications section for color availability. Not available on rustic.

\star Paint finishes are not available on rustic and require an Agreement of Understanding.

Door Styles

PREFERRED BY KARMAN

MILLCREEK

Standard Feature: **S**

Not Available: **-**

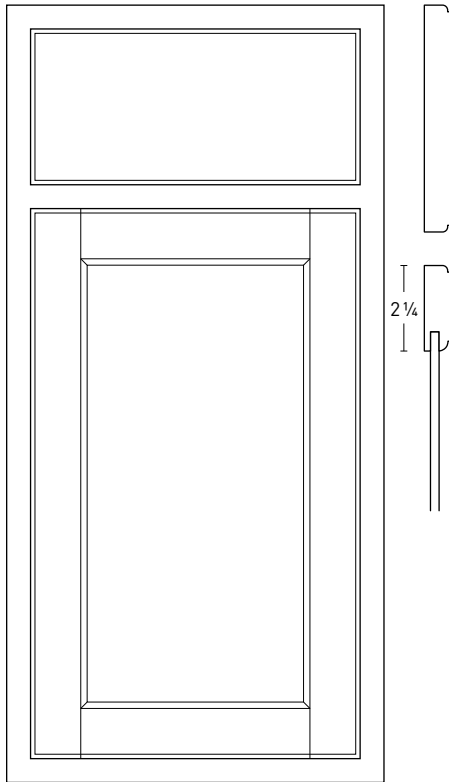
Price Group A

STANDARD INFORMATION:

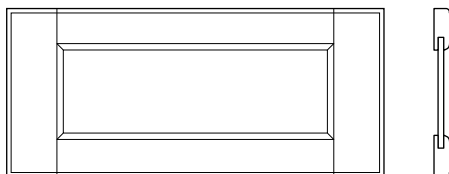
Overlay	Standard
Panel Type	5.2mm Recessed Panel
Standard Drawer Fronts	Slab

OPTIONS: (by request)

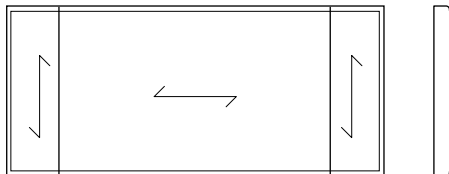
Drawer Front Upgrade (Per Drawer)	5 Piece: \$60	Trinity (3 Piece): \$50	Marcel (1" Thick): \$40
Edge Profile Change (Per Door/Drawer)	Available -\$30		
Inset \diamond	-		
Solid Reverse Panel (SRP)	+20%		
Beaded Panels \blacktriangle	+5%		
Arched Doors	Cathedral Arch: \$0	Roman Arch: \$0	Crescent: \$115 (Per Door)
Victorian	\$95 per door		



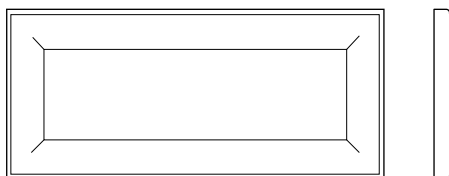
Edge Profile: F
Framing Bead: Regular
Panel: 992 (5.2 mm)



Optional 5-Piece Drawer Front
See Drawer Height Chart #1



Optional Trinity Front (3-Piece)
↔ = Grain Direction



Optional Marcel Drawer Front (1" Thick)

	PAIN'T GRADE	OAK	HICKORY	MAPLE	ALDER	CHEERRY	1/4-SAWNOAK	WALNUT	BAMBOO \square	RED BIRCH \square	LYPTUS \square
Clear	+0%	+0%	+7%	+7%	+7%	+15%	+40%	+40%	+40%	+40%	+40%
Rustic	-	+0%	+7% \blacktriangle	+7%	+7%	+15%	-	+40%	-	-	-

STAIN FINISHES:

Cocoa	-	S	S	S	S	S	S	S	S	S	S
Ecru NEW	-	S	S	S	S	S	S	S	S	S	S
Stone NEW	-	S	S	S	S	S	S	S	S	S	S
Graphite	-	S	S	S	S	S	S	S	S	S	S
Greystone	-	S	S	S	S	S	S	S	S	S	S
Honey	-	S	S	S	S	S	S	S	S	S	S
Ivory	-	S	S	S	S	S	S	S	S	S	S
Java	-	S	S	S	S	S	S	S	S	S	S
Kodiak	-	S	S	S	S	S	S	S	S	S	S
Lilac NEW	-	S	S	S	S	S	S	S	S	S	S
Limestone	-	S	S	S	S	S	S	S	S	S	S
Natural	-	S	S	S	S	S	S	S	S	S	S
Umber NEW	-	S	S	S	S	S	S	S	S	S	S
Sage	-	S	S	S	S	S	S	S	S	S	S
Salem	-	S	S	S	S	S	S	S	S	S	S
Shale	-	S	S	S	S	S	S	S	S	S	S
Porcini NEW	-	S	S	S	S	S	S	S	S	S	S
Spice	-	S	S	S	S	S	S	S	S	S	S
Obsidian NEW	-	S	S	S	S	S	S	S	S	S	S
Straw NEW	-	S	S	S	S	S	S	S	S	S	S

PAINT FINISHES:

Azure NEW	+18%	+18%	-	+18%	+18%	-	-	-	-	-	-
Bright White NEW	+18%	+18%	-	+18%	+18%	-	-	-	-	-	-
Gibraltar Cliffs NEW	+18%	+18%	-	+18%	+18%	-	-	-	-	-	-
Glacier	+18%	+18%	-	+18%	+18%	-	-	-	-	-	-
Kendall Charcoal	+18%	+18%	-	+18%	+18%	-	-	-	-	-	-
Midnight	+18%	+18%	-	+18%	+18%	-	-	-	-	-	-
Olive NEW	+18%	+18%	-	+18%	+18%	-	-	-	-	-	-
Revere Pewter NEW	+18%	+18%	-	+18%	+18%	-	-	-	-	-	-
Regent Blue NEW	+18%	+18%	-	+18%	+18%	-	-	-	-	-	-
Smoke NEW	+18%	+18%	-	+18%	+18%	-	-	-	-	-	-
Solitude	+18%	+18%	-	+18%	+18%	-	-	-	-	-	-
Stonington Gray	+18%	+18%	-	+18%	+18%	-	-	-	-	-	-
Super White	+18%	+18%	-	+18%	+18%	-	-	-	-	-	-
White Dove	+18%	+18%	-	+18%	+18%	-	-	-	-	-	-
Classic Select Paints \bullet	+30%	+30%	-	+30%	+30%	-	-	-	-	-	-

FINISH ENHANCEMENTS:

Highlight Glaze	+8%	+8%	+8%	+8%	+8%	+8%	+8%	+8%	+8%	+8%	+8%
Antique Glaze	+15%	+15%	+15%	+15%	+15%	+15%	+15%	+15%	+15%	+15%	+15%
Old World $\times \diamond$	-	+40%	+40%	+40%	+40%	+40%	+40%	+40%	+40%	+40%	+40%
Vintage \star	-	-	-	-	+15%	-	-	-	-	-	-
Bisque $\star \diamond$	-	-	-	-	+15%	-	-	-	-	-	-
Light Brush Stroke $\star \diamond$	+20%	+20%	-	+20%	-	-	-	-	-	-	-
Heavy Brush Stroke $\star \diamond$	+20%	+20%	-	+20%	-	-	-	-	-	-	-
Distressed	+5%	+5%	+5%	+5%	+5%	+5%	+5%	+5%	+5%	+5%	+5%
Pencil Edge Sanding \star	+8%	+8%	-	+8%	-	-	-	-	-	-	-

» \blacktriangle = SRP required. \times = not available on paint finishes. \diamond = increases lead time by 10 days. \bullet = Increases lead times by 5 days.

» \star = only available on paint finishes; see Finish Specifications section for color availability. Not available on rustic.

» Paint finishes are not available on rustic and require an Agreement of Understanding.

MISSION

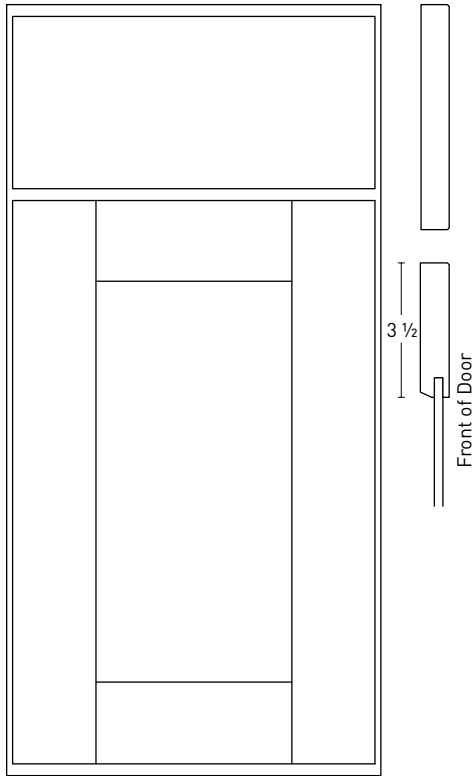
Standard Feature: **S**

Not Available: **—**

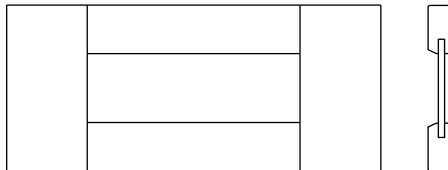
Price Group C

STANDARD INFORMATION:

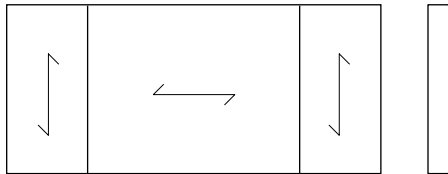
Overlay	Full
Panel Type	5.2 mm Recessed Panel
Standard Drawer Fronts	Slab
OPTIONS: (by request)	
Drawer Front Upgrade (Per Drawer)	5-Piece: \$60 Trinity (3-Piece): \$50 Marcel (1" Thick): \$40
Edge Profile Change (Per Door/Drawer)	Available -\$30
Inset \diamond	Flush: +20% Beaded (1/4" or 3/8"): +30% Chamfer, Ogee, Stepped: +40%
Solid Reverse Panel (SRP)	+20%
Beaded Panels \blacktriangle	+5%
Arched Doors	—
Victorian	\$95 per door



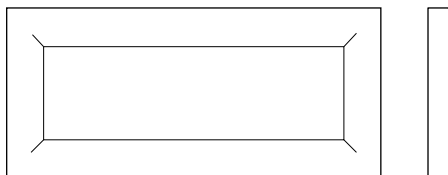
Edge Profile: C
Framing Bead: Mission
Panel: 992 (5.2 mm)



Optional 5-Piece Drawer Front
See Drawer Height Chart #3



Optional Trinity Front (3-Piece)
↔ = Grain Direction



Optional Marcel Drawer Front (1" Thick)

	PAIN T GRADE	OAK	HICKORY	MAPLE	ALDER	CHERRY	1/2-SAMMOAK	WALNUT	BAMBOO \square	RED BIRCH \square	LYPTUS \square
Clear	+0%	+0%	+7%	+7%	+7%	+15%	+40%	+40%	+40%	+40%	+40%
Rustic	—	+0%	+7% \blacktriangle	+7%	+7%	+15%	—	+40%	—	—	—

STAIN FINISHES:

Cocoa	—	S	S	S	S	S	S	S	S	S	S
Ecu NEW	—	S	S	S	S	S	S	S	S	S	S
Stone NEW	—	S	S	S	S	S	S	S	S	S	S
Graphite	—	S	S	S	S	S	S	S	S	S	S
Greystone	—	S	S	S	S	S	S	S	S	S	S
Honey	—	S	S	S	S	S	S	S	S	S	S
Ivory	—	S	S	S	S	S	S	S	S	S	S
Java	—	S	S	S	S	S	S	S	S	S	S
Kodiak	—	S	S	S	S	S	S	S	S	S	S
Lilac NEW	—	S	S	S	S	S	S	S	S	S	S
Limestone	—	S	S	S	S	S	S	S	S	S	S
Natural	—	S	S	S	S	S	S	S	S	S	S
Umber NEW	—	S	S	S	S	S	S	S	S	S	S
Sage	—	S	S	S	S	S	S	S	S	S	S
Salem	—	S	S	S	S	S	S	S	S	S	S
Shale	—	S	S	S	S	S	S	S	S	S	S
Porcini NEW	—	S	S	S	S	S	S	S	S	S	S
Spice	—	S	S	S	S	S	S	S	S	S	S
Obsidian NEW	—	S	S	S	S	S	S	S	S	S	S
Straw NEW	—	S	S	S	S	S	S	S	S	S	S

PAINT FINISHES:

Azure NEW	+18%	+18%	—	+18%	+18%	—	—	—	—	—	—
Bright White NEW	+18%	+18%	—	+18%	+18%	—	—	—	—	—	—
Gibraltar Cliffs NEW	+18%	+18%	—	+18%	+18%	—	—	—	—	—	—
Glacier	+18%	+18%	—	+18%	+18%	—	—	—	—	—	—
Kendall Charcoal	+18%	+18%	—	+18%	+18%	—	—	—	—	—	—
Midnight	+18%	+18%	—	+18%	+18%	—	—	—	—	—	—
Olive NEW	+18%	+18%	—	+18%	+18%	—	—	—	—	—	—
Revere Pewter NEW	+18%	+18%	—	+18%	+18%	—	—	—	—	—	—
Regent Blue NEW	+18%	+18%	—	+18%	+18%	—	—	—	—	—	—
Smoke NEW	+18%	+18%	—	+18%	+18%	—	—	—	—	—	—
Solitude	+18%	+18%	—	+18%	+18%	—	—	—	—	—	—
Stonington Gray	+18%	+18%	—	+18%	+18%	—	—	—	—	—	—
Super White	+18%	+18%	—	+18%	+18%	—	—	—	—	—	—
White Dove	+18%	+18%	—	+18%	+18%	—	—	—	—	—	—
Classic Select Paints \bullet	+30%	+30%	—	+30%	+30%	—	—	—	—	—	—

FINISH ENHANCEMENTS:

Highlight Glaze	+8%	+8%	+8%	+8%	+8%	+8%	+8%	+8%	+8%	+8%	+8%
Antique Glaze	+15%	+15%	+15%	+15%	+15%	+15%	+15%	+15%	+15%	+15%	+15%
Old World $\times \diamond$	—	+40%	+40%	+40%	+40%	+40%	+40%	+40%	+40%	+40%	+40%
Vintage \star	—	—	—	—	+15%	—	—	—	—	—	—
Bisque $\star \diamond$	—	—	—	—	+15%	—	—	—	—	—	—
Light Brush Stroke $\star \diamond$	+20%	+20%	—	+20%	—	—	—	—	—	—	—
Heavy Brush Stroke $\star \diamond$	+20%	+20%	—	+20%	—	—	—	—	—	—	—
Distressed	+5%	+5%	+5%	+5%	+5%	+5%	+5%	+5%	+5%	+5%	+5%
Pencil Edge Sanding \star	+8%	+8%	—	+8%	—	—	—	—	—	—	—

\times \blacktriangle = SRP required. \star = not available on paint finishes. \diamond = increases lead time by 10 days. \bullet = Increases lead times by 5 days.

\star \star = only available on paint finishes; see Finish Specifications section for color availability. Not available on rustic.

\times Paint finishes are not available on rustic and require an Agreement of Understanding.

Door Styles

PREFERRED BY KARMAN

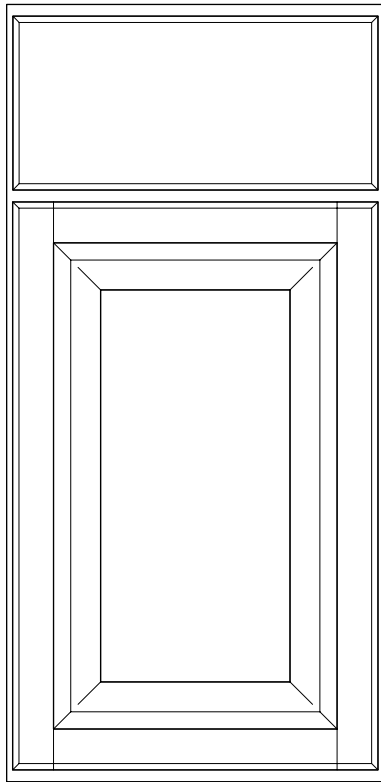
MONARCH

Lead times will be increased by 10 working days

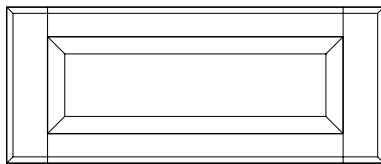
Standard Feature: S

Not Available: -

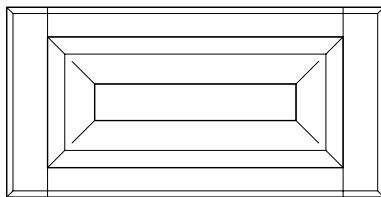
Price Group F



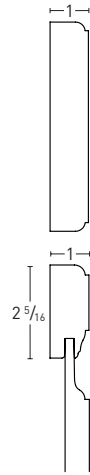
Edge Profile: Door Specific
Framing Bead: Door Specific
Panel: Door Specific



Optional 5-Piece Drawer Front
SRP 6" - 7 1/2" High



Optional 5-Piece Drawer Front
Raised Panel Over 7 1/2" High



STANDARD INFORMATION:

Overlay	Full
Panel Type	Raised Panel
Standard Drawer Fronts	Slab

OPTIONS: (by request)

Drawer Front Upgrade (Per Drawer)	5-Piece -\$60
Edge Profile Change (Per Door/Drawer)	-
Inset ◇	-
Solid Reverse Panel (SRP)	-
Beaded Panels	-
Arched Doors	-
Victorian	-

	PAINT GRADE	OAK	HICKORY	MAPLE	ALDER	CHERRY	1/2-SAWNOAK	WALNUT	BAMBOO	RED BIRCH	LYPTUS
Clear	+0%	+0%	+7%	+7%	+7%	+15%	-	+40%	-	+40%	-
Rustic	-	-	-	-	-	-	-	-	-	-	-

STAIN FINISHES:

Cocoa	-	S	S	S	S	S	-	S	-	S	-
Ecru ^{NEW}	-	S	S	S	S	S	-	S	-	S	-
Stone ^{NEW}	-	S	S	S	S	S	-	S	-	S	-
Graphite	-	S	S	S	S	S	-	S	-	S	-
Greystone	-	S	S	S	S	S	-	S	-	S	-
Honey	-	S	S	S	S	S	-	S	-	S	-
Ivory	-	S	S	S	S	S	-	S	-	S	-
Java	-	S	S	S	S	S	-	S	-	S	-
Kodiak	-	S	S	S	S	S	-	S	-	S	-
Lilac ^{NEW}	-	S	S	S	S	S	-	S	-	S	-
Limestone	-	S	S	S	S	S	-	S	-	S	-
Natural	-	S	S	S	S	S	-	S	-	S	-
Umber ^{NEW}	-	S	S	S	S	S	-	S	-	S	-
Sage	-	S	S	S	S	S	-	S	-	S	-
Salem	-	S	S	S	S	S	-	S	-	S	-
Shale	-	S	S	S	S	S	-	S	-	S	-
Porcini ^{NEW}	-	S	S	S	S	S	-	S	-	S	-
Spice	-	S	S	S	S	S	-	S	-	S	-
Obsidian ^{NEW}	-	S	S	S	S	S	-	S	-	S	-
Straw ^{NEW}	-	S	S	S	S	S	-	S	-	S	-

PAINT FINISHES:

Azure ^{NEW}	+18%	+18%	-	+18%	+18%	-	-	-	-	-	-
Bright White ^{NEW}	+18%	+18%	-	+18%	+18%	-	-	-	-	-	-
Gibraltar Cliffs ^{NEW}	+18%	+18%	-	+18%	+18%	-	-	-	-	-	-
Glacier	+18%	+18%	-	+18%	+18%	-	-	-	-	-	-
Kendall Charcoal	+18%	+18%	-	+18%	+18%	-	-	-	-	-	-
Midnight	+18%	+18%	-	+18%	+18%	-	-	-	-	-	-
Olive ^{NEW}	+18%	+18%	-	+18%	+18%	-	-	-	-	-	-
Revere Pewter ^{NEW}	+18%	+18%	-	+18%	+18%	-	-	-	-	-	-
Regent Blue ^{NEW}	+18%	+18%	-	+18%	+18%	-	-	-	-	-	-
Smoke ^{NEW}	+18%	+18%	-	+18%	+18%	-	-	-	-	-	-
Solitude	+18%	+18%	-	+18%	+18%	-	-	-	-	-	-
Stonington Gray	+18%	+18%	-	+18%	+18%	-	-	-	-	-	-
Super White	+18%	+18%	-	+18%	+18%	-	-	-	-	-	-
White Dove	+18%	+18%	-	+18%	+18%	-	-	-	-	-	-
Classic Select Paints ●	+30%	+30%	-	+30%	+30%	-	-	-	-	-	-

FINISH ENHANCEMENTS:

Highlight Glaze	+8%	+8%	+8%	+8%	+8%	+8%	-	+8%	-	+8%	+8%
Antique Glaze	+15%	+15%	+15%	+15%	+15%	+15%	-	+15%	-	+15%	+15%
Old World ✕◇	-	+40%	+40%	+40%	+40%	+40%	-	+40%	-	+40%	+40%
Vintage ★	-	-	-	-	+15%	-	-	-	-	-	-
Bisque ★◇	-	-	-	-	+15%	-	-	-	-	-	-
Light Brush Stroke ★◇	+20%	+20%	-	+20%	-	-	-	-	-	-	-
Heavy Brush Stroke ★◇	+20%	+20%	-	+20%	-	-	-	-	-	-	-
Distressed	+5%	+5%	+5%	+5%	+5%	+5%	-	+5%	-	+5%	+5%
Pencil Edge Sanding ★	+8%	+8%	-	+8%	-	-	-	-	-	-	-

- ✕ = not available on paint finishes. ◇ = increases lead time by 10 days. ● = Increases lead times by 5 days.
- ★ = only available on paint finishes; see Finish Specifications section for color availability. Not available on rustic.
- Paint finishes are not available on rustic and require an Agreement of Understanding.

MONTEREY

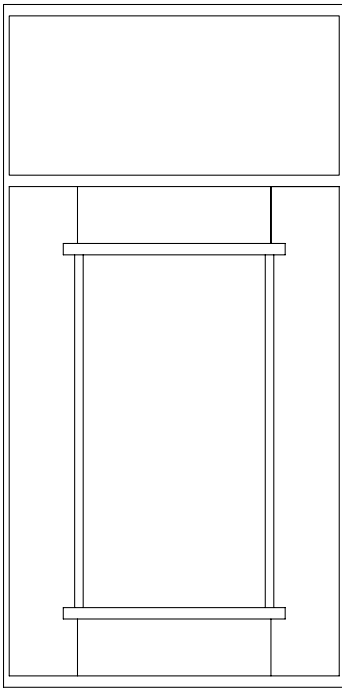
Standard Feature: **S**

Not Available: **—**

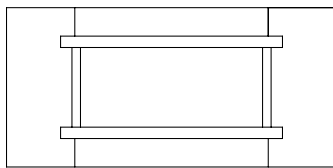
Price Group F

STANDARD INFORMATION:

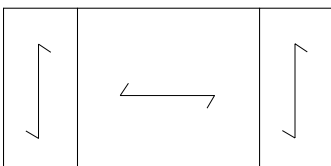
Overlay	Full
Panel Type	5.2 mm Recessed Panel
Standard Drawer Fronts	Slab
OPTIONS: (by request)	
Drawer Front Upgrade (Per Drawer)	5 - Piece: \$60 Trinity (3 - Piece): \$50 Marcel (1" Thick): \$40
Edge Profile Change (Per Door/Drawer)	Available -\$30
Inset \diamond	Flush: +20% Beaded (1/4" or 3/8"): +30% Chamfer, Ogee, Stepped: +40%
Solid Reverse Panel (SRP)	+20%
Beaded Panels \blacktriangle	+5%
2 Tone	\$115 per door/ 5 - piece Drawer
Victorian	\$95 per door



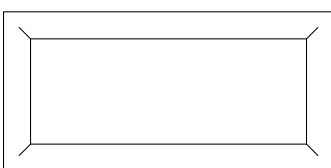
Edge Profile: C
Framing Bead: Door Specific
Panel 992 (5.2 mm)



Optional 5 - Piece Drawer Front
See Drawer Height Chart # 2



Optional Trinity Front (3 - Piece)
← = Grain Direction



Optional Marcel Front (1" Thick)

	PAIN T GRADE	OAK	HICKORY	MAPLE	ALDER	CHERRY	1/2-SAMMOAK	WALNUT	BAMBOO \square	RED BIRCH \square	LYPTUS \square
Clear	+0%	+0%	+7%	+7%	+7%	+15%	+40%	+40%	—	+40%	+40%
Rustic	—	+0%	+7% \blacktriangle	+7%	+7%	+15%	—	+40%	—	—	—

STAIN FINISHES:

Cocoa	—	S	S	S	S	S	S	S	—	S	S
Ecru NEW	—	S	S	S	S	S	S	S	—	S	S
Stone NEW	—	S	S	S	S	S	S	S	—	S	S
Graphite	—	S	S	S	S	S	S	S	—	S	S
Greystone	—	S	S	S	S	S	S	S	—	S	S
Honey	—	S	S	S	S	S	S	S	—	S	S
Ivory	—	S	S	S	S	S	S	S	—	S	S
Java	—	S	S	S	S	S	S	S	—	S	S
Kodiak	—	S	S	S	S	S	S	S	—	S	S
Lilac NEW	—	S	S	S	S	S	S	S	—	S	S
Limestone	—	S	S	S	S	S	S	S	—	S	S
Natural	—	S	S	S	S	S	S	S	—	S	S
Umber NEW	—	S	S	S	S	S	S	S	—	S	S
Sage	—	S	S	S	S	S	S	S	—	S	S
Salem	—	S	S	S	S	S	S	S	—	S	S
Shale	—	S	S	S	S	S	S	S	—	S	S
Porcini NEW	—	S	S	S	S	S	S	S	—	S	S
Spice	—	S	S	S	S	S	S	S	—	S	S
Obsidian NEW	—	S	S	S	S	S	S	S	—	S	S
Straw NEW	—	S	S	S	S	S	S	S	—	S	S

PAINT FINISHES:

Azure NEW	+18%	+18%	—	+18%	+18%	—	—	—	—	—	—
Bright White NEW	+18%	+18%	—	+18%	+18%	—	—	—	—	—	—
Gibraltar Cliffs NEW	+18%	+18%	—	+18%	+18%	—	—	—	—	—	—
Glacier	+18%	+18%	—	+18%	+18%	—	—	—	—	—	—
Kendall Charcoal	+18%	+18%	—	+18%	+18%	—	—	—	—	—	—
Midnight	+18%	+18%	—	+18%	+18%	—	—	—	—	—	—
Olive NEW	+18%	+18%	—	+18%	+18%	—	—	—	—	—	—
Revere Pewter NEW	+18%	+18%	—	+18%	+18%	—	—	—	—	—	—
Regent Blue NEW	+18%	+18%	—	+18%	+18%	—	—	—	—	—	—
Smoke NEW	+18%	+18%	—	+18%	+18%	—	—	—	—	—	—
Solitude	+18%	+18%	—	+18%	+18%	—	—	—	—	—	—
Stonington Gray	+18%	+18%	—	+18%	+18%	—	—	—	—	—	—
Super White	+18%	+18%	—	+18%	+18%	—	—	—	—	—	—
White Dove	+18%	+18%	—	+18%	+18%	—	—	—	—	—	—
Classic Select Paints \bullet	+30%	+30%	—	+30%	+30%	—	—	—	—	—	—

FINISH ENHANCEMENTS:

Highlight Glaze	+8%	+8%	+8%	+8%	+8%	+8%	+8%	+8%	—	+8%	+8%
Antique Glaze	+15%	+15%	+15%	+15%	+15%	+15%	+15%	+15%	—	+15%	+15%
Old World $\times \diamond$	—	+40%	+40%	+40%	+40%	+40%	+40%	+40%	—	+40%	+40%
Vintage \star	—	—	—	—	+15%	—	—	—	—	—	—
Bisque $\star \diamond$	—	—	—	—	+15%	—	—	—	—	—	—
Light Brush Stroke $\star \diamond$	+20%	+20%	—	+20%	—	—	—	—	—	—	—
Heavy Brush Stroke $\star \diamond$	+20%	+20%	—	+20%	—	—	—	—	—	—	—
Distressed	+5%	+5%	+5%	+5%	+5%	+5%	+5%	+5%	—	+5%	+5%
Pencil Edge Sanding \star	+8%	+8%	—	+8%	—	—	—	—	—	—	—

\times \blacktriangle = SRP required. \star = not available on paint finishes. \diamond = increases lead time by 10 days. \bullet = Increases lead times by 5 days.

\star \star = only available on paint finishes; see Finish Specifications section for color availability. Not available on rustic.

\times Paint finishes are not available on rustic and require an Agreement of Understanding.

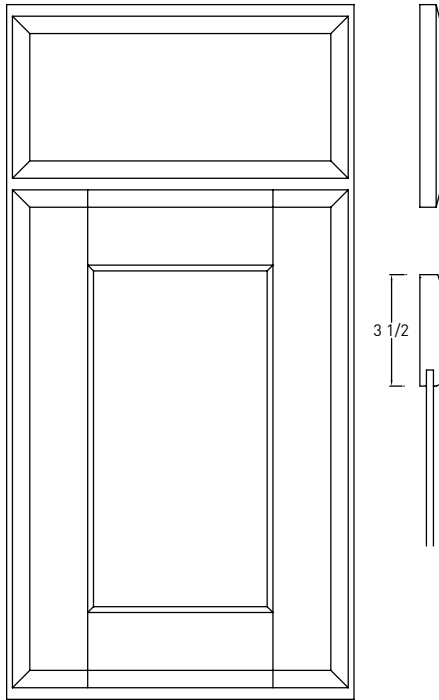
Door Styles

PREFERRED BY KARMAN

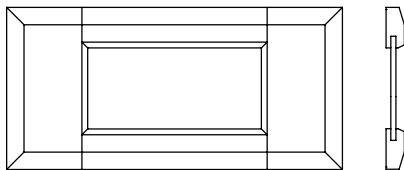
NEWPORT

Standard Feature: **S**

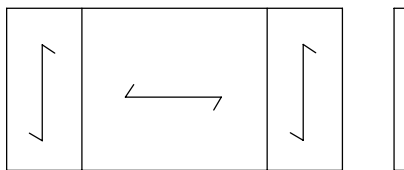
Not Available: **-**



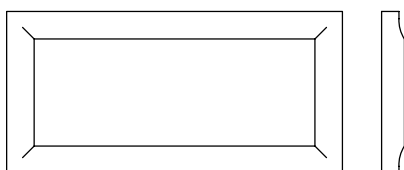
Edge Profile: Door Specific
Framing Bead: Shaker
Panel 992 (5.2 mm)



Optional 5 - Piece Drawer Front
See Drawer Height Chart # 3



Optional Trinity Front (3 - Piece)
↔ = Grain Direction



Optional Marcel Front (1" Thick)

STANDARD INFORMATION:

Overlay	Full		
Panel Type	5.2mm Recessed Panel		
Standard Drawer Fronts	Slab		
OPTIONS: (by request)			
Drawer Front Upgrade (Per Drawer)	5 Piece: \$60	Trinity (3 Piece): \$50	Marcel (1" Thick): \$40
Edge Profile Change (Per Door/Drawer)	Available -\$30		
Inset \diamond	Flush: +20%	Beaded (1/4" or 3/8"): +30%	Chamfer, Ogee, Stepped: +40%
Solid Reverse Panel	+20%		
(SRP) Beaded Panels \blacktriangle	+5%		
Victorian	\$95 per door		

Price Group D

	PAIN	GRADE	OAK	HICKORY	MAPLE	ALDER	CHERRY	1/4-SAWN OAK	WALNUT	BAMBOO \square	RED BIRCH \square	LYPTUS \square
Clear	+0%	+0%	+7%	+7%	+7%	+7%	+15%	+40%	+40%	+40%	+40%	+40%
Rustic	-	+0%	+7% \blacktriangle	+7%	+7%	+7%	+15%	-	+40%	-	-	-

STAIN FINISHES:

Cocoa	-	S	S	S	S	S	S	S	S	S	S	S
Ecru NEW	-	S	S	S	S	S	S	S	S	S	S	S
Stone NEW	-	S	S	S	S	S	S	S	S	S	S	S
Graphite	-	S	S	S	S	S	S	S	S	S	S	S
Greystone	-	S	S	S	S	S	S	S	S	S	S	S
Honey	-	S	S	S	S	S	S	S	S	S	S	S
Ivory	-	S	S	S	S	S	S	S	S	S	S	S
Java	-	S	S	S	S	S	S	S	S	S	S	S
Kodiak	-	S	S	S	S	S	S	S	S	S	S	S
Lilac NEW	-	S	S	S	S	S	S	S	S	S	S	S
Limestone	-	S	S	S	S	S	S	S	S	S	S	S
Natural	-	S	S	S	S	S	S	S	S	S	S	S
Umber NEW	-	S	S	S	S	S	S	S	S	S	S	S
Sage	-	S	S	S	S	S	S	S	S	S	S	S
Salem	-	S	S	S	S	S	S	S	S	S	S	S
Shale	-	S	S	S	S	S	S	S	S	S	S	S
Porcini NEW	-	S	S	S	S	S	S	S	S	S	S	S
Spice	-	S	S	S	S	S	S	S	S	S	S	S
Obsidian NEW	-	S	S	S	S	S	S	S	S	S	S	S
Straw NEW	-	S	S	S	S	S	S	S	S	S	S	S

PAINT FINISHES:

Azure NEW	+18%	+18%	-	+18%	+18%	-	-	-	-	-	-	-
Bright White NEW	+18%	+18%	-	+18%	+18%	-	-	-	-	-	-	-
Gibraltar Cliffs NEW	+18%	+18%	-	+18%	+18%	-	-	-	-	-	-	-
Glacier	+18%	+18%	-	+18%	+18%	-	-	-	-	-	-	-
Kendall Charcoal	+18%	+18%	-	+18%	+18%	-	-	-	-	-	-	-
Midnight	+18%	+18%	-	+18%	+18%	-	-	-	-	-	-	-
Olive NEW	+18%	+18%	-	+18%	+18%	-	-	-	-	-	-	-
Revere Pewter NEW	+18%	+18%	-	+18%	+18%	-	-	-	-	-	-	-
Regent Blue NEW	+18%	+18%	-	+18%	+18%	-	-	-	-	-	-	-
Smoke NEW	+18%	+18%	-	+18%	+18%	-	-	-	-	-	-	-
Solitude	+18%	+18%	-	+18%	+18%	-	-	-	-	-	-	-
Stonington Gray	+18%	+18%	-	+18%	+18%	-	-	-	-	-	-	-
Super White	+18%	+18%	-	+18%	+18%	-	-	-	-	-	-	-
White Dove	+18%	+18%	-	+18%	+18%	-	-	-	-	-	-	-
Classic Select Paints \bullet	+30%	+30%	-	+30%	+30%	-	-	-	-	-	-	-

FINISH ENHANCEMENTS:

Highlight Glaze	+8%	+8%	+8%	+8%	+8%	+8%	+8%	+8%	+8%	+8%	+8%	+8%
Antique Glaze	+15%	+15%	+15%	+15%	+15%	+15%	+15%	+15%	+15%	+15%	+15%	+15%
Old World $\times \diamond$	-	+40%	+40%	+40%	+40%	+40%	+40%	+40%	+40%	+40%	+40%	+40%
Vintage \star	-	-	-	-	+15%	-	-	-	-	-	-	-
Bisque $\star \diamond$	-	-	-	-	+15%	-	-	-	-	-	-	-
Light Brush Stroke $\star \diamond$	+20%	+20%	-	+20%	-	-	-	-	-	-	-	-
Heavy Brush Stroke $\star \diamond$	+20%	+20%	-	+20%	-	-	-	-	-	-	-	-
Distressed	+5%	+5%	+5%	+5%	+5%	+5%	+5%	+5%	+5%	+5%	+5%	+5%
Pencil Edge Sanding \star	+8%	+8%	-	+8%	-	-	-	-	-	-	-	-

» \blacktriangle = SRP required. \times = not available on paint finishes. \diamond = increases lead time by 10 days. \bullet = Increases lead times by 5 days.

» \star = only available on paint finishes, see Finish Specifications section for color availability. Not available on rustic.

» Paint finishes are not available on rustic and require an Agreement of Understanding.

NORWICH

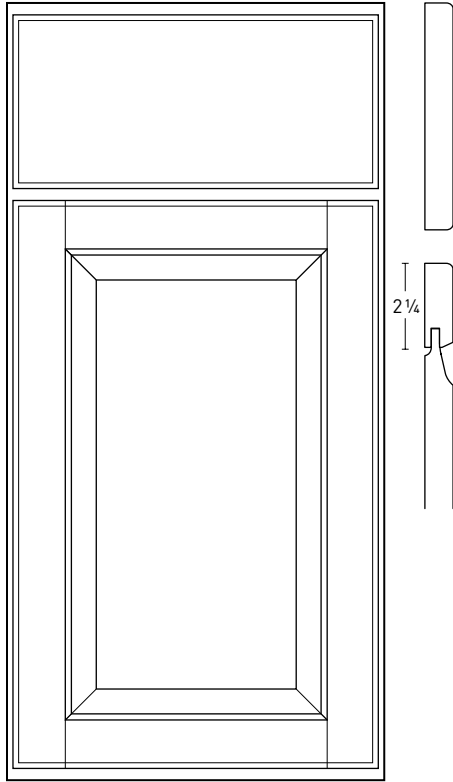
Standard Feature: **S**

Not Available: **—**

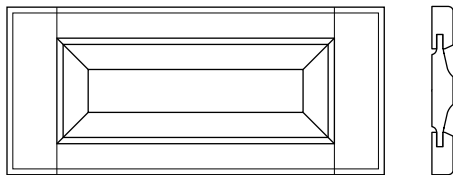
Price Group C

STANDARD INFORMATION:

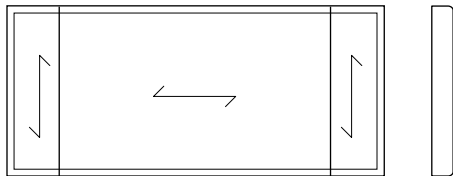
Overlay	Full
Panel Type	Raised Panel
Standard Drawer Fronts	Slab
OPTIONS: (by request)	
Drawer Front Upgrade (Per Drawer)	5-Piece: \$60 Trinity (3-Piece): \$50 Marcel (1" Thick): \$40
Edge Profile Change (Per Door/Drawer)	Available -\$30
Inset \diamond	Flush: +20% Beaded (1/4" or 3/8"): +30% Chamfer, Ogee, Stepped: +40%
Solid Reverse Panel (SRP)	—
Beaded Panels	—
Arched Doors	Crescent: \$115 (Per Door)
Victorian	\$95 per door



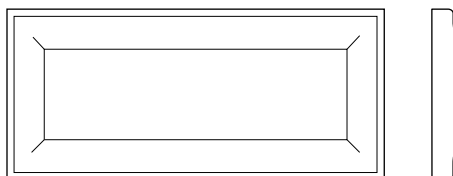
Edge Profile: D
Framing Bead: Shaker
Panel: 998



Optional 5-Piece Drawer Front
See Drawer Height Chart #1



Optional Trinity Front (3-Piece)
↙ ↘ = Grain Direction



Optional Marcel Drawer Front (1" Thick)

	PAIN	GRADE	OAK	HICKORY	MAPLE	ALDER	CHERRY	1/2-SAM	WALNUT	BAMBOO	RED BIRCH	LYPTUS
Clear	+0%	+0%	+7%	+7%	+7%	+15%	+40%	+40%	—	+40%	+40%	
Rustic	—	+0%	+7%	+7%	+7%	+15%	—	+40%	—	—	—	

STAIN FINISHES:

Cocoa	—	S	S	S	S	S	S	S	—	S	S
Ecru NEW	—	S	S	S	S	S	S	S	—	S	S
Stone NEW	—	S	S	S	S	S	S	S	—	S	S
Graphite	—	S	S	S	S	S	S	S	—	S	S
Greystone	—	S	S	S	S	S	S	S	—	S	S
Honey	—	S	S	S	S	S	S	S	—	S	S
Ivory	—	S	S	S	S	S	S	S	—	S	S
Java	—	S	S	S	S	S	S	S	—	S	S
Kodiak	—	S	S	S	S	S	S	S	—	S	S
Lilac NEW	—	S	S	S	S	S	S	S	—	S	S
Limestone	—	S	S	S	S	S	S	S	—	S	S
Natural	—	S	S	S	S	S	S	S	—	S	S
Umber NEW	—	S	S	S	S	S	S	S	—	S	S
Sage	—	S	S	S	S	S	S	S	—	S	S
Salem	—	S	S	S	S	S	S	S	—	S	S
Shale	—	S	S	S	S	S	S	S	—	S	S
Porcini NEW	—	S	S	S	S	S	S	S	—	S	S
Spice	—	S	S	S	S	S	S	S	—	S	S
Obsidian NEW	—	S	S	S	S	S	S	S	—	S	S
Straw NEW	—	S	S	S	S	S	S	S	—	S	S

PAINT FINISHES:

Azure NEW	+18%	+18%	—	+18%	+18%	—	—	—	—	—	—
Bright White NEW	+18%	+18%	—	+18%	+18%	—	—	—	—	—	—
Gibraltar Cliffs NEW	+18%	+18%	—	+18%	+18%	—	—	—	—	—	—
Glacier	+18%	+18%	—	+18%	+18%	—	—	—	—	—	—
Kendall Charcoal	+18%	+18%	—	+18%	+18%	—	—	—	—	—	—
Midnight	+18%	+18%	—	+18%	+18%	—	—	—	—	—	—
Olive NEW	+18%	+18%	—	+18%	+18%	—	—	—	—	—	—
Revere Pewter NEW	+18%	+18%	—	+18%	+18%	—	—	—	—	—	—
Regent Blue NEW	+18%	+18%	—	+18%	+18%	—	—	—	—	—	—
Smoke NEW	+18%	+18%	—	+18%	+18%	—	—	—	—	—	—
Solitude	+18%	+18%	—	+18%	+18%	—	—	—	—	—	—
Stonington Gray	+18%	+18%	—	+18%	+18%	—	—	—	—	—	—
Super White	+18%	+18%	—	+18%	+18%	—	—	—	—	—	—
White Dove	+18%	+18%	—	+18%	+18%	—	—	—	—	—	—
Classic Select Paints NEW	+30%	+30%	—	+30%	+30%	—	—	—	—	—	—

FINISH ENHANCEMENTS:

Highlight Glaze	+8%	+8%	+8%	+8%	+8%	+8%	+8%	+8%	—	+8%	+8%
Antique Glaze	+15%	+15%	+15%	+15%	+15%	+15%	+15%	+15%	—	+15%	+15%
Old World $\times \diamond$	—	+40%	+40%	+40%	+40%	+40%	+40%	+40%	—	+40%	+40%
Vintage \star	—	—	—	—	+15%	—	—	—	—	—	—
Bisque $\star \diamond$	—	—	—	—	+15%	—	—	—	—	—	—
Light Brush Stroke $\star \diamond$	+20%	+20%	—	+20%	—	—	—	—	—	—	—
Heavy Brush Stroke $\star \diamond$	+20%	+20%	—	+20%	—	—	—	—	—	—	—
Distressed	+5%	+5%	+5%	+5%	+5%	+5%	+5%	+5%	—	+5%	+5%
Pencil Edge Sanding \star	+8%	+8%	—	+8%	—	—	—	—	—	—	—

\times = not available on paint finishes. \diamond = increases lead time by 10 days. \bullet = Increases lead times by 5 days.

\star = only available on paint finishes; see Finish Specifications section for color availability. Not available on rustic.

\times Paint finishes are not available on rustic and require an Agreement of Understanding.

Door Styles

PREFERRED BY KARMAN

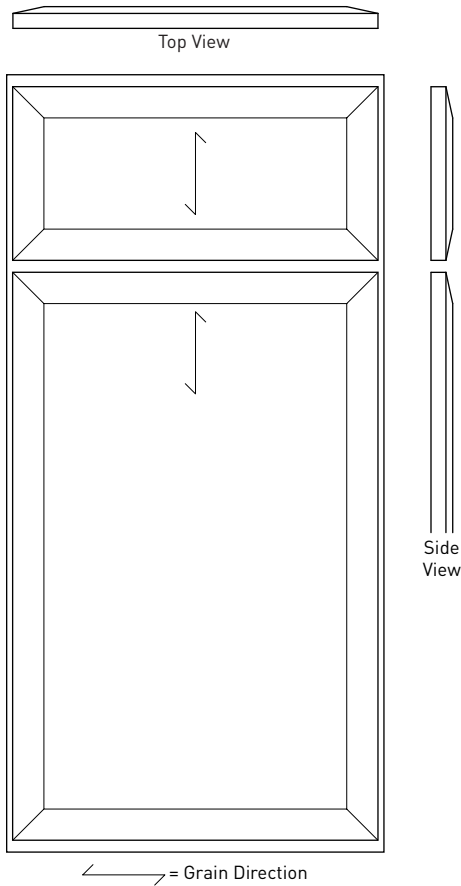
NOVA

Lead times will be increased by 10 working days

Standard Feature: S

Not Available: -

Price Group F



- Doors have 3mm solid lumber edge. Solid lumber edge captured by veneer.
- Vertical grain comes standard.

PLEASE NOTE

-Engineered core material is used on Finished Ends. This will provide a Finished End that has the same veneer cut as the Seville Door.

*For Example: 1/4 Sawn Walnut Veneers will be present on the Seville Door and any Finished Ends

*In All Plywood construction these Finished Ends will be Engineered core with wood veneers instead of plywood.

STANDARD INFORMATION:

Overlay	Full
Panel Type	Engineered Core Slab with Wood Veneer
Standard Drawer Fronts	Engineered Core Slab with Wood Veneer

OPTIONS: (by request)

Drawer Front Upgrade (Per Drawer)	-
Edge Profile Change (Per Door/Drawer)	-
Inset ◇	-
Solid Reverse Panel (SRP)	-
Beaded Panels	-
Arched Doors	-
Victorian	-

	PAINT GRADE	PLANSLICED RED OAK	PLANSLICED HICKORY	1/4-SAWN MAPLE	PLANSLICED ALDER	1/4-SAWN CHERRY	RAFT CUT WHITE OAK	1/4-SAWN WALNUT	BAMBOO ◇	RED BIRCH ◇	LYPTUS ◇
Clear	+0%	+0%	+7%	+7%	+7%	+15%	+40%	+40%	+40%	-	-
Rustic	-	-	-	-	-	-	-	-	-	-	-

STAIN FINISHES:

Cocoa	-	S	S	S	S	S	S	S	S	-	-
Ecru ^{NEW}	-	S	S	S	S	S	S	S	S	-	-
Stone ^{NEW}	-	S	S	S	S	S	S	S	S	-	-
Graphite	-	S	S	S	S	S	S	S	S	-	-
Greystone	-	S	S	S	S	S	S	S	S	-	-
Honey	-	S	S	S	S	S	S	S	S	-	-
Ivory	-	S	S	S	S	S	S	S	S	-	-
Java	-	S	S	S	S	S	S	S	S	-	-
Kodiak	-	S	S	S	S	S	S	S	S	-	-
Lilac ^{NEW}	-	S	S	S	S	S	S	S	S	-	-
Limestone	-	S	S	S	S	S	S	S	S	-	-
Natural	-	S	S	S	S	S	S	S	S	-	-
Umber ^{NEW}	-	S	S	S	S	S	S	S	S	-	-
Sage	-	S	S	S	S	S	S	S	S	-	-
Salem	-	S	S	S	S	S	S	S	S	-	-
Shale	-	S	S	S	S	S	S	S	S	-	-
Porcini ^{NEW}	-	S	S	S	S	S	S	S	S	-	-
Spice	-	S	S	S	S	S	S	S	S	-	-
Obsidian ^{NEW}	-	S	S	S	S	S	S	S	S	-	-
Straw ^{NEW}	-	S	S	S	S	S	S	S	S	-	-

PAINT FINISHES:

Azure ^{NEW}	+18%	+18%	-	+18%	+18%	-	-	-	-	-	-
Bright White ^{NEW}	+18%	+18%	-	+18%	+18%	-	-	-	-	-	-
Gibraltar Cliffs ^{NEW}	+18%	+18%	-	+18%	+18%	-	-	-	-	-	-
Glacier	+18%	+18%	-	+18%	+18%	-	-	-	-	-	-
Kendall Charcoal	+18%	+18%	-	+18%	+18%	-	-	-	-	-	-
Midnight	+18%	+18%	-	+18%	+18%	-	-	-	-	-	-
Olive ^{NEW}	+18%	+18%	-	+18%	+18%	-	-	-	-	-	-
Revere Pewter ^{NEW}	+18%	+18%	-	+18%	+18%	-	-	-	-	-	-
Regent Blue ^{NEW}	+18%	+18%	-	+18%	+18%	-	-	-	-	-	-
Smoke ^{NEW}	+18%	+18%	-	+18%	+18%	-	-	-	-	-	-
Solitude	+18%	+18%	-	+18%	+18%	-	-	-	-	-	-
Stonington Gray	+18%	+18%	-	+18%	+18%	-	-	-	-	-	-
Super White	+18%	+18%	-	+18%	+18%	-	-	-	-	-	-
White Dove	+18%	+18%	-	+18%	+18%	-	-	-	-	-	-
Classic Select Paints ●	+30%	+30%	-	+30%	+30%	-	-	-	-	-	-

FINISH ENHANCEMENTS:

Highlight Glaze	-	-	-	-	-	-	-	-	-	-	-
Antique Glaze	-	+15%	+15%	+15%	+15%	+15%	+15%	+15%	+15%	-	-
Old World ✕ ◇	-	-	-	-	-	-	-	-	-	-	-
Vintage ★	-	-	-	-	-	-	-	-	-	-	-
Bisque ★ ◇	-	-	-	-	-	-	-	-	-	-	-
Light Brush Stroke ★ ◇	+20%	+20%	-	+20%	-	-	-	-	-	-	-
Heavy Brush Stroke ★ ◇	+20%	+20%	-	+20%	-	-	-	-	-	-	-
Distressed	-	-	-	-	-	-	-	-	-	-	-
Pencil Edge Sanding ★	-	-	-	-	-	-	-	-	-	-	-

- ✕ = not available on paint finishes. ◇ = increases lead time by 10 days. ● = Increases lead times by 5 days.
- ★ = only available on paint finishes; see Finish Specifications section for color availability. Not available on rustic.
- Paint finishes are not available on rustic and require an Agreement of Understanding.

PEMBROKE

Standard Feature: **S**

Not Available: **—**

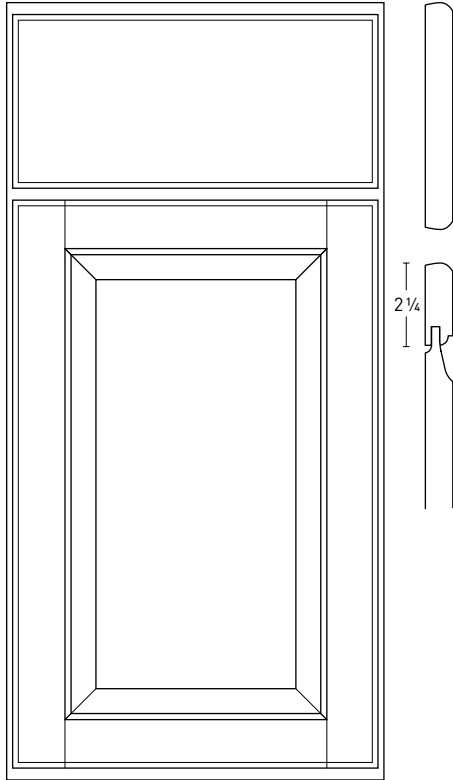
Price Group D

STANDARD INFORMATION:

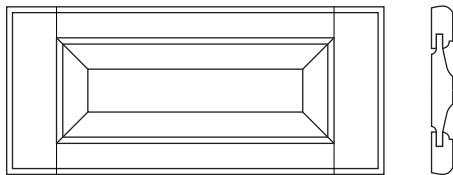
Overlay	Full
Panel Type	Raised Panel
Standard Drawer Fronts	Slab

OPTIONS: (by request)

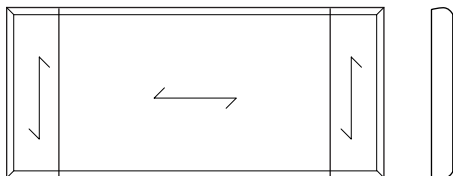
Drawer Front Upgrade (Per Drawer)	5-Piece: \$60	Trinity (3-Piece): \$50	Marcel (1" Thick): \$40
Edge Profile Change (Per Door/Drawer)	Available -\$30		
Inset \diamond	Flush: +20%	Beaded (1/4" or 3/8"): +30%	Chamfer, Ogee, Stepped: +40%
Solid Reverse Panel (SRP)	-		
Beaded Panels	-		
Arched Doors	Roman Arch: \$0	Crescent: \$115 (Per Door)	
Victorian	\$95 per door		



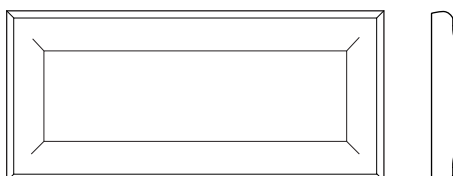
Edge Profile: B
Framing Bead: Regular
Panel: 998



Optional 5-Piece Drawer Front
See Drawer Height Chart #1



Optional Trinity Front (3-Piece)
↙ ↘ = Grain Direction



Optional Marcel Drawer Front (1" Thick)

	PAIN T GRADE	OAK	HICKORY	MAPLE	ALDER	CHERRY	1/4-SAMMOAK	WALNUT	BAMBOO \square	RED BIRCH \square	LYPTUS \square
Clear	+0%	+0%	+7%	+7%	+7%	+15%	+40%	+40%	-	+40%	+40%
Rustic	-	+0%	+7%	+7%	+7%	+15%	-	+40%	-	-	-

STAIN FINISHES:

Cocoa	-	S	S	S	S	S	S	S	-	S	S
Ecru NEW	-	S	S	S	S	S	S	S	-	S	S
Stone NEW	-	S	S	S	S	S	S	S	-	S	S
Graphite	-	S	S	S	S	S	S	S	-	S	S
Greystone	-	S	S	S	S	S	S	S	-	S	S
Honey	-	S	S	S	S	S	S	S	-	S	S
Ivory	-	S	S	S	S	S	S	S	-	S	S
Java	-	S	S	S	S	S	S	S	-	S	S
Kodiak	-	S	S	S	S	S	S	S	-	S	S
Lilac NEW	-	S	S	S	S	S	S	S	-	S	S
Limestone	-	S	S	S	S	S	S	S	-	S	S
Natural	-	S	S	S	S	S	S	S	-	S	S
Umber NEW	-	S	S	S	S	S	S	S	-	S	S
Sage	-	S	S	S	S	S	S	S	-	S	S
Salem	-	S	S	S	S	S	S	S	-	S	S
Shale	-	S	S	S	S	S	S	S	-	S	S
Porcini NEW	-	S	S	S	S	S	S	S	-	S	S
Spice	-	S	S	S	S	S	S	S	-	S	S
Obsidian NEW	-	S	S	S	S	S	S	S	-	S	S
Straw NEW	-	S	S	S	S	S	S	S	-	S	S

PAINT FINISHES:

Azure NEW	+18%	+18%	-	+18%	+18%	-	-	-	-	-	-
Bright White NEW	+18%	+18%	-	+18%	+18%	-	-	-	-	-	-
Gibraltar Cliffs NEW	+18%	+18%	-	+18%	+18%	-	-	-	-	-	-
Glacier	+18%	+18%	-	+18%	+18%	-	-	-	-	-	-
Kendall Charcoal	+18%	+18%	-	+18%	+18%	-	-	-	-	-	-
Midnight	+18%	+18%	-	+18%	+18%	-	-	-	-	-	-
Olive NEW	+18%	+18%	-	+18%	+18%	-	-	-	-	-	-
Revere Pewter NEW	+18%	+18%	-	+18%	+18%	-	-	-	-	-	-
Regent Blue NEW	+18%	+18%	-	+18%	+18%	-	-	-	-	-	-
Smoke NEW	+18%	+18%	-	+18%	+18%	-	-	-	-	-	-
Solitude	+18%	+18%	-	+18%	+18%	-	-	-	-	-	-
Stonington Gray	+18%	+18%	-	+18%	+18%	-	-	-	-	-	-
Super White	+18%	+18%	-	+18%	+18%	-	-	-	-	-	-
White Dove	+18%	+18%	-	+18%	+18%	-	-	-	-	-	-
Classic Select Paints \bullet	+30%	+30%	-	+30%	+30%	-	-	-	-	-	-

FINISH ENHANCEMENTS:

Highlight Glaze	+8%	+8%	+8%	+8%	+8%	+8%	+8%	+8%	-	+8%	+8%
Antique Glaze	+15%	+15%	+15%	+15%	+15%	+15%	+15%	+15%	-	+15%	+15%
Old World $\times \diamond$	-	+40%	+40%	+40%	+40%	+40%	+40%	+40%	-	+40%	+40%
Vintage \star	-	-	-	-	+15%	-	-	-	-	-	-
Bisque $\star \diamond$	-	-	-	-	+15%	-	-	-	-	-	-
Light Brush Stroke $\star \diamond$	+20%	+20%	-	+20%	-	-	-	-	-	-	-
Heavy Brush Stroke $\star \diamond$	+20%	+20%	-	+20%	-	-	-	-	-	-	-
Distressed	+5%	+5%	+5%	+5%	+5%	+5%	+5%	+5%	-	+5%	+5%
Pencil Edge Sanding \star	+8%	+8%	-	+8%	-	-	-	-	-	-	-

\times = not available on paint finishes. \diamond = increases lead time by 10 days. \bullet = Increases lead times by 5 days.

\star = only available on paint finishes; see Finish Specifications section for color availability. Not available on rustic.

\times Paint finishes are not available on rustic and require an Agreement of Understanding.

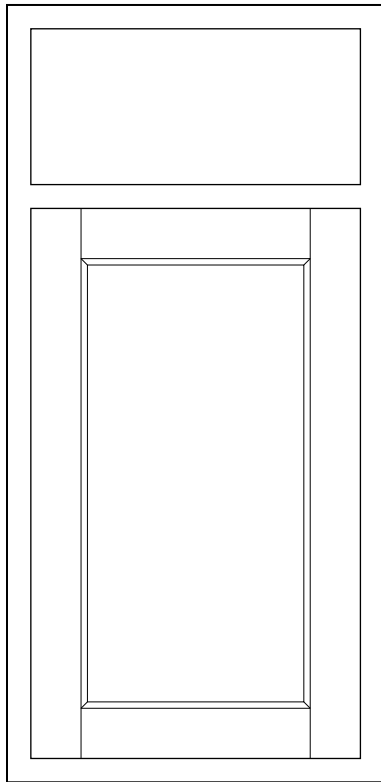
Door Styles

PREFERRED BY KARMAN

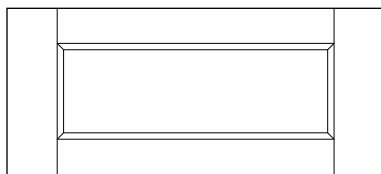
PRAIRIE

Standard Feature: **S**

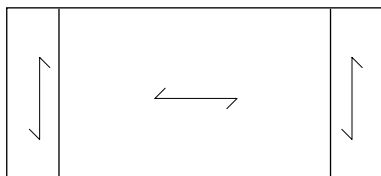
Not Available: **-**



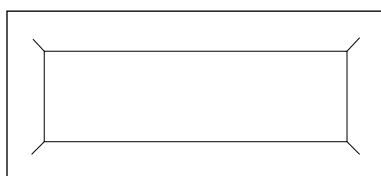
Edge Profile: C
Framing Bead: Shaker
Panel: 992 (5.2 mm)



Optional 5-Piece Drawer Front
See Drawer Height Chart #1



Optional Trinity Front (3-Piece)
↔ = Grain Direction



Optional Marcel Drawer Front (1" Thick)

STANDARD INFORMATION:

Overlay	Standard		
Panel Type	5.2mm Recessed Panel		
Standard Drawer Fronts	Slab		
OPTIONS: (by request)			
Drawer Front Upgrade (Per Drawer)	5 Piece: \$60	Trinity (3 Piece): \$50	Marcel (1" Thick): \$40
Edge Profile Change (Per Door/Drawer)	Available -\$30		
Inset \diamond	-		
Solid Reverse Panel (SRP)	+20%		
Beaded Panels \blacktriangle	+5%		
Arched Doors	Crescent: \$115 (Per Door)		
Victorian	\$95 per door		

Price Group A

	PAINIT GRADE	OAK	HICKORY	MAPLE	ALDER	CHERRY	1/4-SAWN OAK	WALNUT	BAMBOO \square	RED BIRCH \square	LYPTUS \square
Clear	+0%	+0%	+7%	+7%	+7%	+15%	+40%	+40%	+40%	+40%	+40%
Rustic	-	+0%	+7% \blacktriangle	+7%	+7%	+15%	-	+40%	-	-	-

STAIN FINISHES:

Cocoa	-	S	S	S	S	S	S	S	S	S	S
Ecru NEW	-	S	S	S	S	S	S	S	S	S	S
Stone NEW	-	S	S	S	S	S	S	S	S	S	S
Graphite	-	S	S	S	S	S	S	S	S	S	S
Greystone	-	S	S	S	S	S	S	S	S	S	S
Honey	-	S	S	S	S	S	S	S	S	S	S
Ivory	-	S	S	S	S	S	S	S	S	S	S
Java	-	S	S	S	S	S	S	S	S	S	S
Kodiak	-	S	S	S	S	S	S	S	S	S	S
Lilac NEW	-	S	S	S	S	S	S	S	S	S	S
Limestone	-	S	S	S	S	S	S	S	S	S	S
Natural	-	S	S	S	S	S	S	S	S	S	S
Umber NEW	-	S	S	S	S	S	S	S	S	S	S
Sage	-	S	S	S	S	S	S	S	S	S	S
Salem	-	S	S	S	S	S	S	S	S	S	S
Shale	-	S	S	S	S	S	S	S	S	S	S
Porcini NEW	-	S	S	S	S	S	S	S	S	S	S
Spice	-	S	S	S	S	S	S	S	S	S	S
Obsidian NEW	-	S	S	S	S	S	S	S	S	S	S
Straw NEW	-	S	S	S	S	S	S	S	S	S	S

PAINT FINISHES:

Azure NEW	+18%	+18%	-	+18%	+18%	-	-	-	-	-	-
Bright White NEW	+18%	+18%	-	+18%	+18%	-	-	-	-	-	-
Gibraltar Cliffs NEW	+18%	+18%	-	+18%	+18%	-	-	-	-	-	-
Glacier	+18%	+18%	-	+18%	+18%	-	-	-	-	-	-
Kendall Charcoal	+18%	+18%	-	+18%	+18%	-	-	-	-	-	-
Midnight	+18%	+18%	-	+18%	+18%	-	-	-	-	-	-
Olive NEW	+18%	+18%	-	+18%	+18%	-	-	-	-	-	-
Reverse Pewter NEW	+18%	+18%	-	+18%	+18%	-	-	-	-	-	-
Regent Blue NEW	+18%	+18%	-	+18%	+18%	-	-	-	-	-	-
Smoke NEW	+18%	+18%	-	+18%	+18%	-	-	-	-	-	-
Solitude	+18%	+18%	-	+18%	+18%	-	-	-	-	-	-
Stonington Gray	+18%	+18%	-	+18%	+18%	-	-	-	-	-	-
Super White	+18%	+18%	-	+18%	+18%	-	-	-	-	-	-
White Dove	+18%	+18%	-	+18%	+18%	-	-	-	-	-	-
Classic Select Paints \bullet	+30%	+30%	-	+30%	+30%	-	-	-	-	-	-

FINISH ENHANCEMENTS:

Highlight Glaze	+8%	+8%	+8%	+8%	+8%	+8%	+8%	+8%	+8%	+8%	+8%
Antique Glaze	+15%	+15%	+15%	+15%	+15%	+15%	+15%	+15%	+15%	+15%	+15%
Old World $\times \diamond$	-	+40%	+40%	+40%	+40%	+40%	+40%	+40%	+40%	+40%	+40%
Vintage \star	-	-	-	-	+15%	-	-	-	-	-	-
Bisque $\star \diamond$	-	-	-	-	+15%	-	-	-	-	-	-
Light Brush Stroke $\star \diamond$	+20%	+20%	-	+20%	-	-	-	-	-	-	-
Heavy Brush Stroke $\star \diamond$	+20%	+20%	-	+20%	-	-	-	-	-	-	-
Distressed	+5%	+5%	+5%	+5%	+5%	+5%	+5%	+5%	+5%	+5%	+5%
Pencil Edge Sanding \star	+8%	+8%	-	+8%	-	-	-	-	-	-	-

» \blacktriangle = SRP required. \times = not available on paint finishes. \diamond = increases lead time by 10 days. \bullet = Increases lead times by 5 days.

» \star = only available on paint finishes, see Finish Specifications section for color availability. Not available on rustic.

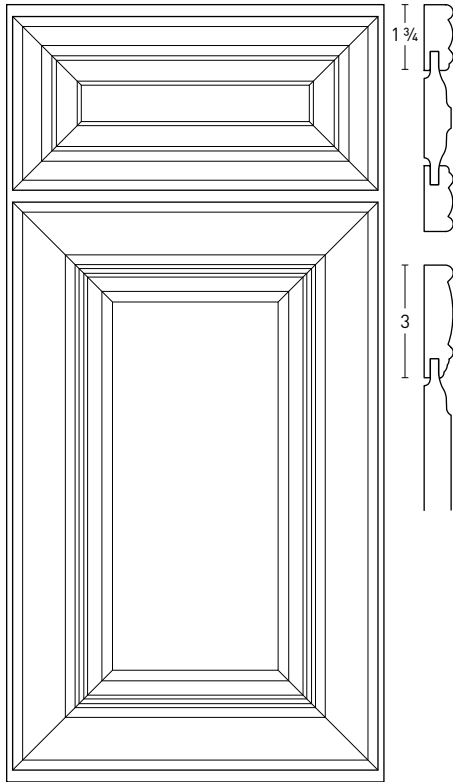
» Paint finishes are not available on rustic and require an Agreement of Understanding.

REDINGTON

Standard Feature: **S**

Not Available: **—**

Price Group E



Edge Profile: Door Specific
Framing Bead: Door Specific
Panel: 995

STANDARD INFORMATION:

Overlay	Full
Panel Type	Raised Panel
Standard Drawer Fronts	5-Piece

OPTIONS: (by request)

Drawer Front Upgrade (Per Drawer)	—
Edge Profile Change (Per Door/Drawer)	—
Inset ◇	—
Solid Reverse Panel (SRP)	—
Beaded Panels	—
Arched Doors	—
Victorian	—

	PAIN T GRADE	OAK	HICKORY	MAPLE	ALDER	CHERRY	1/2-SAMMOAK	WALNUT	BAMBOO ◻	RED BIRCH ◻	LYPTUS ◻
Clear	+0%	+0%	+7%	+7%	+7%	+15%	+40%	+40%	—	+40%	+40%
Rustic	—	+0%	+7%	+7%	+7%	+15%	—	+40%	—	—	—

STAIN FINISHES:

Cocoa	—	S	S	S	S	S	S	S	—	S	S
Ecru NEW	—	S	S	S	S	S	S	S	—	S	S
Stone NEW	—	S	S	S	S	S	S	S	—	S	S
Graphite	—	S	S	S	S	S	S	S	—	S	S
Greystone	—	S	S	S	S	S	S	S	—	S	S
Honey	—	S	S	S	S	S	S	S	—	S	S
Ivory	—	S	S	S	S	S	S	S	—	S	S
Java	—	S	S	S	S	S	S	S	—	S	S
Kodiak	—	S	S	S	S	S	S	S	—	S	S
Lilac NEW	—	S	S	S	S	S	S	S	—	S	S
Limestone	—	S	S	S	S	S	S	S	—	S	S
Natural	—	S	S	S	S	S	S	S	—	S	S
Umber NEW	—	S	S	S	S	S	S	S	—	S	S
Sage	—	S	S	S	S	S	S	S	—	S	S
Salem	—	S	S	S	S	S	S	S	—	S	S
Shale	—	S	S	S	S	S	S	S	—	S	S
Porcini NEW	—	S	S	S	S	S	S	S	—	S	S
Spice	—	S	S	S	S	S	S	S	—	S	S
Obsidian NEW	—	S	S	S	S	S	S	S	—	S	S
Straw NEW	—	S	S	S	S	S	S	S	—	S	S

PAINT FINISHES:

Azure NEW	+18%	+18%	—	+18%	+18%	—	—	—	—	—	—
Bright White NEW	+18%	+18%	—	+18%	+18%	—	—	—	—	—	—
Gibraltar Cliffs NEW	+18%	+18%	—	+18%	+18%	—	—	—	—	—	—
Glacier	+18%	+18%	—	+18%	+18%	—	—	—	—	—	—
Kendall Charcoal	+18%	+18%	—	+18%	+18%	—	—	—	—	—	—
Midnight	+18%	+18%	—	+18%	+18%	—	—	—	—	—	—
Olive NEW	+18%	+18%	—	+18%	+18%	—	—	—	—	—	—
Revere Pewter NEW	+18%	+18%	—	+18%	+18%	—	—	—	—	—	—
Regent Blue NEW	+18%	+18%	—	+18%	+18%	—	—	—	—	—	—
Smoke NEW	+18%	+18%	—	+18%	+18%	—	—	—	—	—	—
Solitude	+18%	+18%	—	+18%	+18%	—	—	—	—	—	—
Stonington Gray	+18%	+18%	—	+18%	+18%	—	—	—	—	—	—
Super White	+18%	+18%	—	+18%	+18%	—	—	—	—	—	—
White Dove	+18%	+18%	—	+18%	+18%	—	—	—	—	—	—
Classic Select Paints ●	+30%	+30%	—	+30%	+30%	—	—	—	—	—	—

FINISH ENHANCEMENTS:

Highlight Glaze	+8%	+8%	+8%	+8%	+8%	+8%	+8%	+8%	—	+8%	+8%
Antique Glaze	+15%	+15%	+15%	+15%	+15%	+15%	+15%	+15%	—	+15%	+15%
Old World ✕◇	—	+40%	+40%	+40%	+40%	+40%	+40%	+40%	—	+40%	+40%
Vintage ★	—	—	—	—	+15%	—	—	—	—	—	—
Bisque ★◇	—	—	—	—	+15%	—	—	—	—	—	—
Light Brush Stroke ★◇	+20%	+20%	—	+20%	—	—	—	—	—	—	—
Heavy Brush Stroke ★◇	+20%	+20%	—	+20%	—	—	—	—	—	—	—
Distressed	+5%	+5%	+5%	+5%	+5%	+5%	+5%	+5%	—	+5%	+5%
Pencil Edge Sanding ★	+8%	+8%	—	+8%	—	—	—	—	—	—	—

✕ = not available on paint finishes. ◇ = increases lead time by 10 days. ● = Increases lead times by 5 days.

★ = only available on paint finishes; see Finish Specifications section for color availability. Not available on rustic.

▷ Paint finishes are not available on rustic and require an Agreement of Understanding.

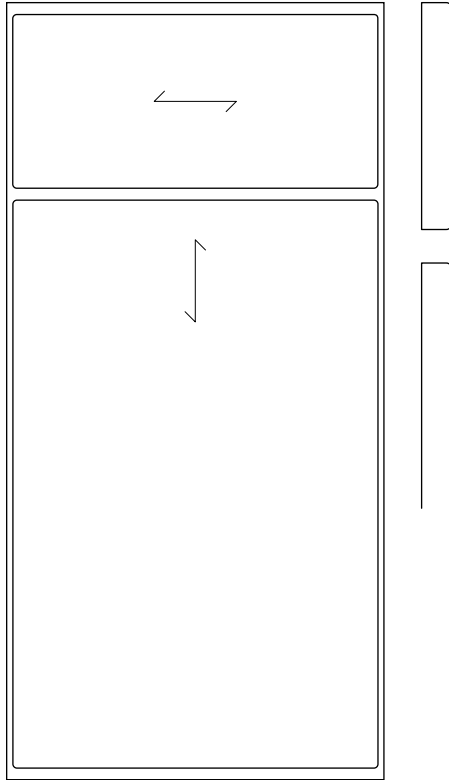
Door Styles

PREFERRED BY KARMAN

RICHMOND

Standard Feature: **S**

Not Available: **-**



Edge Profile: D
Framing Bead: N/A
Panel: Slab

← → = Grain Direction

STANDARD INFORMATION:

Overlay	Full
Panel Type	Solid Hardwood Slab (Paint Grade is MDF)
Standard Drawer Fronts	Solid Hardwood Slab (Paint Grade is MDF)

OPTIONS: (by request)

Drawer Front Upgrade (Per Drawer)	-
Edge Profile Change (Per Door/Drawer)	Available -\$30
Inset ◇	Flush: +20% Beaded (1/4" or 3/8"): +30% Chamfer, Ogee, Stepped: +40%
Solid Reverse Panel (SRP)	-
Beaded Panels	-
Arched Doors	-
Victorian	-

Price Group C

	PAINT GRADE	OAK	HICKORY	MAPLE	ALDER	CHERRY	1/4-SAWN OAK	WALNUT	BAMBOO ◇	RED BIRCH ◇	LYPTUS ◇
Clear	+0%	+0%	+7%	+7%	+7%	+15%	+40%	+40%	+40%	+40%	+40%
Rustic	-	+0%	+7%	+7%	+7%	+15%	-	+40%	-	-	-

STAIN FINISHES:

Cocoa	-	S	S	S	S	S	S	S	S	S	S
Ecru NEW	-	S	S	S	S	S	S	S	S	S	S
Stone NEW	-	S	S	S	S	S	S	S	S	S	S
Graphite	-	S	S	S	S	S	S	S	S	S	S
Greystone	-	S	S	S	S	S	S	S	S	S	S
Honey	-	S	S	S	S	S	S	S	S	S	S
Ivory	-	S	S	S	S	S	S	S	S	S	S
Java	-	S	S	S	S	S	S	S	S	S	S
Kodiak	-	S	S	S	S	S	S	S	S	S	S
Lilac NEW	-	S	S	S	S	S	S	S	S	S	S
Limestone	-	S	S	S	S	S	S	S	S	S	S
Natural	-	S	S	S	S	S	S	S	S	S	S
Umber NEW	-	S	S	S	S	S	S	S	S	S	S
Sage	-	S	S	S	S	S	S	S	S	S	S
Salem	-	S	S	S	S	S	S	S	S	S	S
Shale	-	S	S	S	S	S	S	S	S	S	S
Porcini NEW	-	S	S	S	S	S	S	S	S	S	S
Spice	-	S	S	S	S	S	S	S	S	S	S
Obsidian NEW	-	S	S	S	S	S	S	S	S	S	S
Straw NEW	-	S	S	S	S	S	S	S	S	S	S

PAINT FINISHES:

Azure NEW	+18%	+18%	-	+18%	+18%	-	-	-	-	-	-
Bright White NEW	+18%	+18%	-	+18%	+18%	-	-	-	-	-	-
Gibraltar Cliffs NEW	+18%	+18%	-	+18%	+18%	-	-	-	-	-	-
Glacier	+18%	+18%	-	+18%	+18%	-	-	-	-	-	-
Kendall Charcoal	+18%	+18%	-	+18%	+18%	-	-	-	-	-	-
Midnight	+18%	+18%	-	+18%	+18%	-	-	-	-	-	-
Olive NEW	+18%	+18%	-	+18%	+18%	-	-	-	-	-	-
Revere Pewter NEW	+18%	+18%	-	+18%	+18%	-	-	-	-	-	-
Regent Blue NEW	+18%	+18%	-	+18%	+18%	-	-	-	-	-	-
Smoke NEW	+18%	+18%	-	+18%	+18%	-	-	-	-	-	-
Solitude	+18%	+18%	-	+18%	+18%	-	-	-	-	-	-
Stonington Gray	+18%	+18%	-	+18%	+18%	-	-	-	-	-	-
Super White	+18%	+18%	-	+18%	+18%	-	-	-	-	-	-
White Dove	+18%	+18%	-	+18%	+18%	-	-	-	-	-	-
Classic Select Paints ●	+30%	+30%	-	+30%	+30%	-	-	-	-	-	-

FINISH ENHANCEMENTS:

Highlight Glaze	-	-	-	-	-	-	-	-	-	-	-
Antique Glaze	-	+15%	+15%	+15%	+15%	+15%	+15%	+15%	+15%	+15%	+15%
Old World ✕◇	-	-	-	-	-	-	-	-	-	-	-
Vintage ★	-	-	-	-	-	-	-	-	-	-	-
Bisque ★◇	-	-	-	-	-	-	-	-	-	-	-
Light Brush Stroke ★◇	+20%	+20%	-	+20%	-	-	-	-	-	-	-
Heavy Brush Stroke ★◇	+20%	+20%	-	+20%	-	-	-	-	-	-	-
Distressed	+5%	+5%	+5%	+5%	+5%	+5%	+5%	+5%	+5%	+5%	+5%
Pencil Edge Sanding ★	-	-	-	-	-	-	-	-	-	-	-

➤ ✕ = not available on paint finishes. ◇ = increases lead time by 10 days. ● = Increases lead times by 5 days.

➤ ★ = only available on paint finishes; see Finish Specifications section for color availability. Not available on rustic.

➤ Paint finishes are not available on rustic and require an Agreement of Understanding.

SANTIAGO

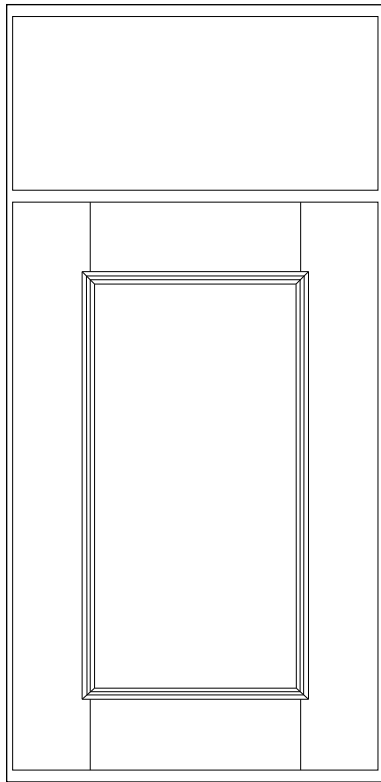
Standard Feature: **S**

Not Available: **—**

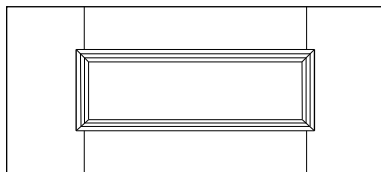
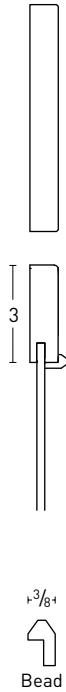
Price Group E

STANDARD INFORMATION:

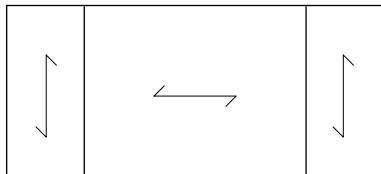
Overlay	Full
Panel Type	5.2 mm Recessed Panel
Standard Drawer Fronts	Slab
OPTIONS: (by request)	
Drawer Front Upgrade (Per Drawer)	5-Piece: \$60 Trinity (3-Piece): \$50 Marcel (1" Thick): \$40
Edge Profile Change (Per Door/Drawer)	Available -\$30
Inset \diamond	Flush: +20% Beaded (1/4" or 3/8"): +30% Chamfer, Ogee, Stepped: +40%
Solid Reverse Panel (SRP)	+20%
Beaded Panels \blacktriangle	+5%
2 Tone	\$115 per door/ 5-Piece Drawer
Victorian	\$95 per door



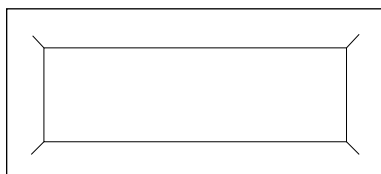
Edge Profile: C
Framing Bead: Door Specific
Panel: 992 [5.2 mm]



Optional 5-Piece Drawer Front
See Drawer Height Chart #2



Optional Trinity Front (3-Piece)
↙ = Grain Direction



Optional Marcel Drawer Front (1" Thick)

	PAIN T GRADE	OAK	HICKORY	MAPLE	ALDER	CHERRY	1/2-SAMMOAK	WALNUT	BAMBOO \square	RED BIRCH \square	LYPTUS \square
Clear	+0%	+0%	+7%	+7%	+7%	+15%	+40%	+40%	—	+40%	+40%
Rustic	—	+0%	+7%	+7%	+7%	+15%	—	+40%	—	—	—

STAIN FINISHES:

Cocoa	—	S	S	S	S	S	S	S	—	S	S
Ecru NEW	—	S	S	S	S	S	S	S	—	S	S
Stone NEW	—	S	S	S	S	S	S	S	—	S	S
Graphite	—	S	S	S	S	S	S	S	—	S	S
Greystone	—	S	S	S	S	S	S	S	—	S	S
Honey	—	S	S	S	S	S	S	S	—	S	S
Ivory	—	S	S	S	S	S	S	S	—	S	S
Java	—	S	S	S	S	S	S	S	—	S	S
Kodiak	—	S	S	S	S	S	S	S	—	S	S
Lilac NEW	—	S	S	S	S	S	S	S	—	S	S
Limestone	—	S	S	S	S	S	S	S	—	S	S
Natural	—	S	S	S	S	S	S	S	—	S	S
Umber NEW	—	S	S	S	S	S	S	S	—	S	S
Sage	—	S	S	S	S	S	S	S	—	S	S
Salem	—	S	S	S	S	S	S	S	—	S	S
Shale	—	S	S	S	S	S	S	S	—	S	S
Porcini NEW	—	S	S	S	S	S	S	S	—	S	S
Spice	—	S	S	S	S	S	S	S	—	S	S
Obsidian NEW	—	S	S	S	S	S	S	S	—	S	S
Straw NEW	—	S	S	S	S	S	S	S	—	S	S

PAINT FINISHES:

Azure NEW	+18%	+18%	—	+18%	+18%	—	—	—	—	—	—
Bright White NEW	+18%	+18%	—	+18%	+18%	—	—	—	—	—	—
Gibraltar Cliffs NEW	+18%	+18%	—	+18%	+18%	—	—	—	—	—	—
Glacier	+18%	+18%	—	+18%	+18%	—	—	—	—	—	—
Kendall Charcoal	+18%	+18%	—	+18%	+18%	—	—	—	—	—	—
Midnight	+18%	+18%	—	+18%	+18%	—	—	—	—	—	—
Olive NEW	+18%	+18%	—	+18%	+18%	—	—	—	—	—	—
Revere Pewter NEW	+18%	+18%	—	+18%	+18%	—	—	—	—	—	—
Regent Blue NEW	+18%	+18%	—	+18%	+18%	—	—	—	—	—	—
Smoke NEW	+18%	+18%	—	+18%	+18%	—	—	—	—	—	—
Solitude	+18%	+18%	—	+18%	+18%	—	—	—	—	—	—
Stonington Gray	+18%	+18%	—	+18%	+18%	—	—	—	—	—	—
Super White	+18%	+18%	—	+18%	+18%	—	—	—	—	—	—
White Dove	+18%	+18%	—	+18%	+18%	—	—	—	—	—	—
Classic Select Paints \bullet	+30%	+30%	—	+30%	+30%	—	—	—	—	—	—

FINISH ENHANCEMENTS:

Highlight Glaze	+8%	+8%	+8%	+8%	+8%	+8%	+8%	+8%	—	+8%	+8%
Antique Glaze	+15%	+15%	+15%	+15%	+15%	+15%	+15%	+15%	—	+15%	+15%
Old World $\times \diamond$	—	+40%	+40%	+40%	+40%	+40%	+40%	+40%	—	+40%	+40%
Vintage \star	—	—	—	—	+15%	—	—	—	—	—	—
Bisque $\star \diamond$	—	—	—	—	+15%	—	—	—	—	—	—
Light Brush Stroke $\star \diamond$	+20%	+20%	—	+20%	—	—	—	—	—	—	—
Heavy Brush Stroke $\star \diamond$	+20%	+20%	—	+20%	—	—	—	—	—	—	—
Distressed	+5%	+5%	+5%	+5%	+5%	+5%	+5%	+5%	—	+5%	+5%
Pencil Edge Sanding \star	+8%	+8%	—	+8%	—	—	—	—	—	—	—

\blacktriangle = SRP required. \times = not available on paint finishes. \diamond = increases lead time by 10 days. \bullet = Increases lead times by 5 days.

\star = only available on paint finishes; see Finish Specifications section for color availability. Not available on rustic.

\times Paint finishes are not available on rustic and require an Agreement of Understanding.

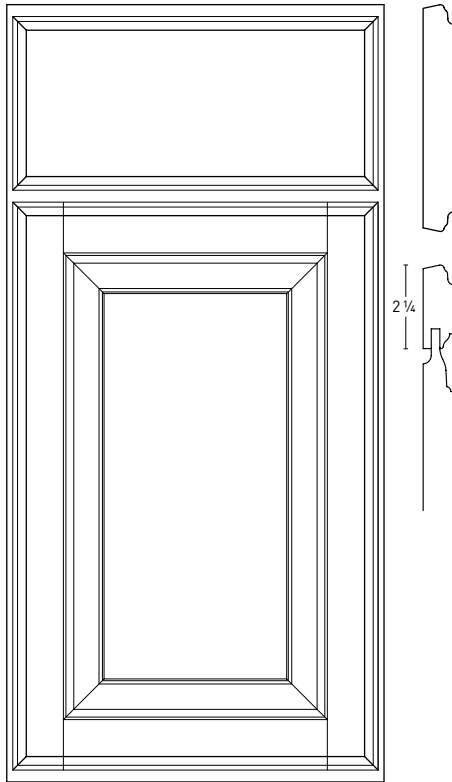
Door Styles

PREFERRED BY KARMAN

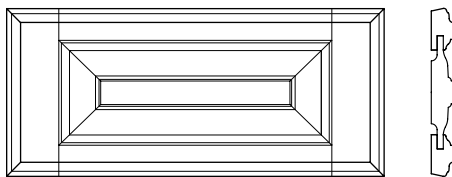
SAVANNAH

Standard Feature: **S**

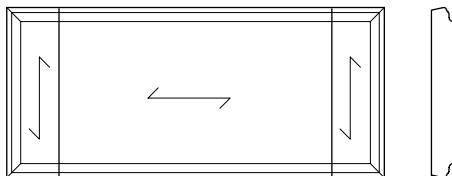
Not Available: **-**



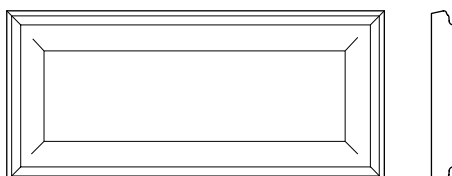
Edge Profile: G
Framing Bead: Ogee
Panel: 993



Optional 5-Piece Drawer Front
See Drawer Height Chart #1



Optional Trinity Front (3-Piece)
↔ = Grain Direction



Optional Marcel Drawer Front (1" Thick)

STANDARD INFORMATION:

Overlay	Full
Panel Type	Raised Panel
Standard Drawer Fronts	Slab
OPTIONS: (by request)	
Drawer Front Upgrade (Per Drawer)	5 Piece: \$60 Trinity (3 Piece): \$50 Marcel (1" Thick): \$40
Edge Profile Change (Per Door/Drawer)	Available -\$30
Inset ◇	Flush: +20% Beaded (1/4" or 3/8"): +30% Chamfer, Ogee, Stepped: +40%
Solid Reverse Panel (SRP)	-
Beaded Panels	-
Arched Doors	Roman Arch: \$0 Crescent: \$115 (Per Door)
Victorian	\$95 per door

Price Group D

	PAIN	GRADE	OAK	HICKORY	MAPLE	ALDER	CHERRY	1/4-SAWN OAK	WALNUT	BAMBOO ◇	RED BIRCH ◇	LYPTUS ◇
Clear	+0%	+0%	+7%	+7%	+7%	+15%	+40%	+40%	-	+40%	+40%	
Rustic	-	+0%	+7%	+7%	+7%	+15%	-	+40%	-	-	-	

STAIN FINISHES:

Cocoa	-	S	S	S	S	S	S	S	S	-	S	S
Ecru NEW	-	S	S	S	S	S	S	S	S	-	S	S
Stone NEW	-	S	S	S	S	S	S	S	S	-	S	S
Graphite	-	S	S	S	S	S	S	S	S	-	S	S
Greystone	-	S	S	S	S	S	S	S	S	-	S	S
Honey	-	S	S	S	S	S	S	S	S	-	S	S
Ivory	-	S	S	S	S	S	S	S	S	-	S	S
Java	-	S	S	S	S	S	S	S	S	-	S	S
Kodiak	-	S	S	S	S	S	S	S	S	-	S	S
Lilac NEW	-	S	S	S	S	S	S	S	S	-	S	S
Limestone	-	S	S	S	S	S	S	S	S	-	S	S
Natural	-	S	S	S	S	S	S	S	S	-	S	S
Umber NEW	-	S	S	S	S	S	S	S	S	-	S	S
Sage	-	S	S	S	S	S	S	S	S	-	S	S
Salem	-	S	S	S	S	S	S	S	S	-	S	S
Shale	-	S	S	S	S	S	S	S	S	-	S	S
Porcini NEW	-	S	S	S	S	S	S	S	S	-	S	S
Spice	-	S	S	S	S	S	S	S	S	-	S	S
Obsidian NEW	-	S	S	S	S	S	S	S	S	-	S	S
Straw NEW	-	S	S	S	S	S	S	S	S	-	S	S

PAINT FINISHES:

Azure NEW	+18%	+18%	-	+18%	+18%	-	-	-	-	-	-	-
Bright White NEW	+18%	+18%	-	+18%	+18%	-	-	-	-	-	-	-
Gibraltar Cliffs NEW	+18%	+18%	-	+18%	+18%	-	-	-	-	-	-	-
Glacier	+18%	+18%	-	+18%	+18%	-	-	-	-	-	-	-
Kendall Charcoal	+18%	+18%	-	+18%	+18%	-	-	-	-	-	-	-
Midnight	+18%	+18%	-	+18%	+18%	-	-	-	-	-	-	-
Olive NEW	+18%	+18%	-	+18%	+18%	-	-	-	-	-	-	-
Reverse Pewter NEW	+18%	+18%	-	+18%	+18%	-	-	-	-	-	-	-
Regent Blue NEW	+18%	+18%	-	+18%	+18%	-	-	-	-	-	-	-
Smoke NEW	+18%	+18%	-	+18%	+18%	-	-	-	-	-	-	-
Solitude	+18%	+18%	-	+18%	+18%	-	-	-	-	-	-	-
Stonington Gray	+18%	+18%	-	+18%	+18%	-	-	-	-	-	-	-
Super White	+18%	+18%	-	+18%	+18%	-	-	-	-	-	-	-
White Dove	+18%	+18%	-	+18%	+18%	-	-	-	-	-	-	-
Classic Select Paints ●	+30%	+30%	-	+30%	+30%	-	-	-	-	-	-	-

FINISH ENHANCEMENTS:

Highlight Glaze	+8%	+8%	+8%	+8%	+8%	+8%	+8%	+8%	+8%	+8%	+8%	+8%
Antique Glaze	+15%	+15%	+15%	+15%	+15%	+15%	+15%	+15%	+15%	+15%	+15%	+15%
Old World ✕ ◇	-	+40%	+40%	+40%	+40%	+40%	+40%	+40%	+40%	+40%	+40%	+40%
Vintage ★	-	-	-	-	+15%	-	-	-	-	-	-	-
Bisque ★ ◇	-	-	-	-	+15%	-	-	-	-	-	-	-
Light Brush Stroke ★ ◇	+20%	+20%	-	+20%	-	-	-	-	-	-	-	-
Heavy Brush Stroke ★ ◇	+20%	+20%	-	+20%	-	-	-	-	-	-	-	-
Distressed	+5%	+5%	+5%	+5%	+5%	+5%	+5%	+5%	+5%	+5%	+5%	+5%
Pencil Edge Sanding ★	+8%	+8%	-	+8%	-	-	-	-	-	-	-	-

➤ ✕ = not available on paint finishes. ◇ = increases lead time by 10 days. ● = Increases lead times by 5 days.

➤ ★ = only available on paint finishes; see Finish Specifications section for color availability. Not available on rustic.

➤ Paint finishes are not available on rustic and require an Agreement of Understanding.

SEDONA

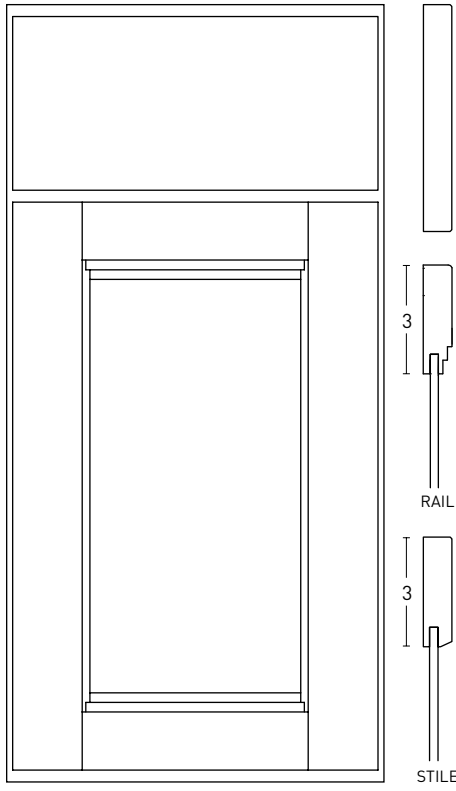
Standard Feature: **S**

Not Available: **—**

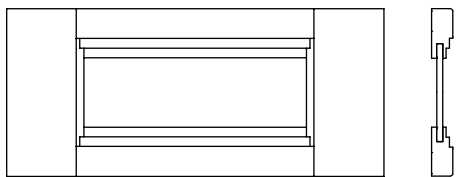
Price Group C

STANDARD INFORMATION:

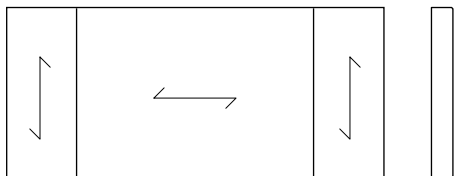
Overlay	Full
Panel Type	5.2 mm Recessed Panel
Standard Drawer Fronts	Slab
OPTIONS: (by request)	
Drawer Front Upgrade (Per Drawer)	5-Piece: \$60 Trinity (3-Piece): \$50 Marcel (1" Thick): \$40
Edge Profile Change (Per Door/Drawer)	Available -\$30
Inset ◇	Flush: +20% Beaded (1/4" or 3/8"): +30% Chamfer, Ogee, Stepped: +40%
Solid Reverse Panel (SRP)	+20%
Beaded Panels ▲	+5%
Arched Doors	—
Victorian	—



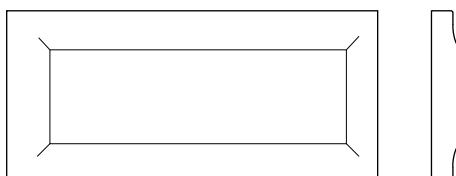
Edge Profile: C
Rail Framing Bead: Sedona
Stile Framing Bead: Shaker
Panel: 992 (5.2 mm)



Optional 5-Piece Drawer Front
See Drawer Height Chart #2



Optional Trinity Front (3-Piece)
↙ = Grain Direction



Optional Marcel Drawer Front (1" Thick)

	PAINT GRADE	OAK	HICKORY	MAPLE	ALDER	CHERRY	1/2-SAMMOAK	WALNUT	BAMBOO ◻	RED BIRCH ◻	LYPTUS ◻
Clear	+0%	+0%	+7%	+7%	+7%	+15%	+40%	+40%	+40%	+40%	+40%
Rustic	—	+0%	+7% ▲	+7%	+7%	+15%	—	+40%	—	—	—

STAIN FINISHES:

Cocoa	—	S	S	S	S	S	S	S	S	S	S
Ecru NEW	—	S	S	S	S	S	S	S	S	S	S
Stone NEW	—	S	S	S	S	S	S	S	S	S	S
Graphite	—	S	S	S	S	S	S	S	S	S	S
Greystone	—	S	S	S	S	S	S	S	S	S	S
Honey	—	S	S	S	S	S	S	S	S	S	S
Ivory	—	S	S	S	S	S	S	S	S	S	S
Java	—	S	S	S	S	S	S	S	S	S	S
Kodiak	—	S	S	S	S	S	S	S	S	S	S
Lilac NEW	—	S	S	S	S	S	S	S	S	S	S
Limestone	—	S	S	S	S	S	S	S	S	S	S
Natural	—	S	S	S	S	S	S	S	S	S	S
Umber NEW	—	S	S	S	S	S	S	S	S	S	S
Sage	—	S	S	S	S	S	S	S	S	S	S
Salem	—	S	S	S	S	S	S	S	S	S	S
Shale	—	S	S	S	S	S	S	S	S	S	S
Porcini NEW	—	S	S	S	S	S	S	S	S	S	S
Spice	—	S	S	S	S	S	S	S	S	S	S
Obsidian NEW	—	S	S	S	S	S	S	S	S	S	S
Straw NEW	—	S	S	S	S	S	S	S	S	S	S

PAINT FINISHES:

Azure NEW	+18%	+18%	—	+18%	+18%	—	—	—	—	—	—
Bright White NEW	+18%	+18%	—	+18%	+18%	—	—	—	—	—	—
Gibraltar Cliffs NEW	+18%	+18%	—	+18%	+18%	—	—	—	—	—	—
Glacier	+18%	+18%	—	+18%	+18%	—	—	—	—	—	—
Kendall Charcoal	+18%	+18%	—	+18%	+18%	—	—	—	—	—	—
Midnight	+18%	+18%	—	+18%	+18%	—	—	—	—	—	—
Olive NEW	+18%	+18%	—	+18%	+18%	—	—	—	—	—	—
Revere Pewter NEW	+18%	+18%	—	+18%	+18%	—	—	—	—	—	—
Regent Blue NEW	+18%	+18%	—	+18%	+18%	—	—	—	—	—	—
Smoke NEW	+18%	+18%	—	+18%	+18%	—	—	—	—	—	—
Solitude	+18%	+18%	—	+18%	+18%	—	—	—	—	—	—
Stonington Gray	+18%	+18%	—	+18%	+18%	—	—	—	—	—	—
Super White	+18%	+18%	—	+18%	+18%	—	—	—	—	—	—
White Dove	+18%	+18%	—	+18%	+18%	—	—	—	—	—	—
Classic Select Paints ●	+30%	+30%	—	+30%	+30%	—	—	—	—	—	—

FINISH ENHANCEMENTS:

Highlight Glaze	+8%	+8%	+8%	+8%	+8%	+8%	+8%	+8%	+8%	+8%	+8%
Antique Glaze	+15%	+15%	+15%	+15%	+15%	+15%	+15%	+15%	+15%	+15%	+15%
Old World ✕◇	—	+40%	+40%	+40%	+40%	+40%	+40%	+40%	+40%	+40%	+40%
Vintage ★	—	—	—	—	+15%	—	—	—	—	—	—
Bisque ★◇	—	—	—	—	+15%	—	—	—	—	—	—
Light Brush Stroke ★◇	+20%	+20%	—	+20%	—	—	—	—	—	—	—
Heavy Brush Stroke ★◇	+20%	+20%	—	+20%	—	—	—	—	—	—	—
Distressed	+5%	+5%	+5%	+5%	+5%	+5%	+5%	+5%	+5%	+5%	+5%
Pencil Edge Sanding ★	+8%	+8%	—	+8%	—	—	—	—	—	—	—

✕ ▲ = SRP required. ✕ = not available on paint finishes. ◇ = increases lead time by 10 days. ● = Increases lead times by 5 days.
 ★ = only available on paint finishes; see Finish Specifications section for color availability. Not available on rustic.
 ✕ Paint finishes are not available on rustic and require an Agreement of Understanding.

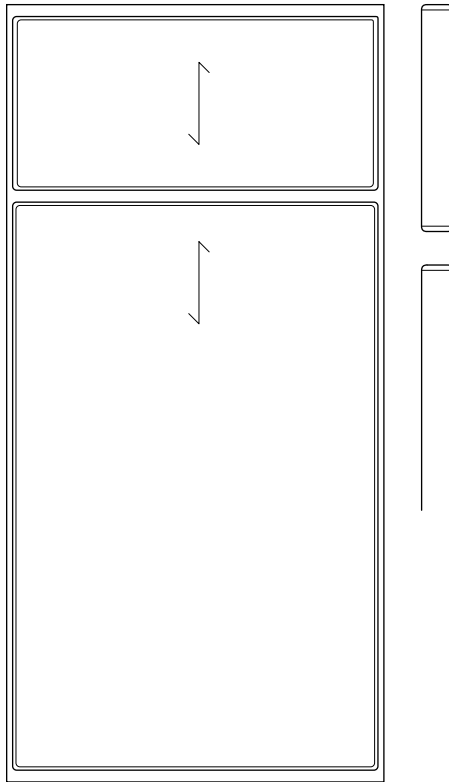
Door Styles

PREFERRED BY KARMAN

SEVILLE

Standard Feature: **S**

Not Available: **-**



Edge Profile: 3mm Banding
Framing Bead: N/A
Panel: Slab

↔ = Grain Direction

PLEASE NOTE

-Engineered core material is used on Finished Ends. This will provide a Finished End that has the same veneer cut as the Seville Door.

*For Example: 1/4 Sawn Walnut Veneers will be present on the Seville Door and any Finished Ends

*In All Plywood construction these Finished Ends will be Engineered core with wood veneers instead of plywood.

STANDARD INFORMATION:

Overlay	Full
Panel Type	Engineered Core Veneer Slab with 3mm Edge Banding
Standard Drawer Fronts	Engineered Core Veneer Slab with 3mm Edge Banding

OPTIONS: (by request)

Drawer Front Upgrade (Per Drawer)	-
Edge Profile Change (Per Door/Drawer)	-
Inset ◇	-
Solid Reverse Panel (SRP)	-
Beaded Panels	-
Arched Doors	-
Victorian	-

Price Group B

	PAINT GRADE	PLANSLICED RED OAK	PLANSLICED HICKORY	1/4-SAWN MAPLE	PLANSLICED ALDER	1/4-SAWN CHERRY	RAFT CUT WHITE OAK	1/4-SAWN WALNUT	BAMBOO ◇	RED BIRCH ◇	LYPTUS ◇
Clear	-	+0%	+7%	+7%	+7%	+15%	+40%	+40%	-	-	-
Rustic	-	-	-	-	-	-	-	-	-	-	-

STAIN FINISHES:

Cocoa	-	S	S	S	S	S	S	S	-	-	-
Ecru ^{NEW}	-	S	S	S	S	S	S	S	-	-	-
Stone ^{NEW}	-	S	S	S	S	S	S	S	-	-	-
Graphite	-	S	S	S	S	S	S	S	-	-	-
Greystone	-	S	S	S	S	S	S	S	-	-	-
Honey	-	S	S	S	S	S	S	S	-	-	-
Ivory	-	S	S	S	S	S	S	S	-	-	-
Java	-	S	S	S	S	S	S	S	-	-	-
Kodiak	-	S	S	S	S	S	S	S	-	-	-
Lilac ^{NEW}	-	S	S	S	S	S	S	S	-	-	-
Limestone	-	S	S	S	S	S	S	S	-	-	-
Natural	-	S	S	S	S	S	S	S	-	-	-
Umber ^{NEW}	-	S	S	S	S	S	S	S	-	-	-
Sage	-	S	S	S	S	S	S	S	-	-	-
Salem	-	S	S	S	S	S	S	S	-	-	-
Shale	-	S	S	S	S	S	S	S	-	-	-
Porcini ^{NEW}	-	S	S	S	S	S	S	S	-	-	-
Spice	-	S	S	S	S	S	S	S	-	-	-
Obsidian ^{NEW}	-	S	S	S	S	S	S	S	-	-	-
Straw ^{NEW}	-	S	S	S	S	S	S	S	-	-	-

PAINT FINISHES:

Azure ^{NEW}	-	-	-	-	-	-	-	-	-	-	-
Bright White ^{NEW}	-	-	-	-	-	-	-	-	-	-	-
Gibraltar Cliffs ^{NEW}	-	-	-	-	-	-	-	-	-	-	-
Glacier	-	-	-	-	-	-	-	-	-	-	-
Kendall Charcoal	-	-	-	-	-	-	-	-	-	-	-
Midnight	-	-	-	-	-	-	-	-	-	-	-
Olive ^{NEW}	-	-	-	-	-	-	-	-	-	-	-
Revere Pewter ^{NEW}	-	-	-	-	-	-	-	-	-	-	-
Regent Blue ^{NEW}	-	-	-	-	-	-	-	-	-	-	-
Smoke ^{NEW}	-	-	-	-	-	-	-	-	-	-	-
Solitude	-	-	-	-	-	-	-	-	-	-	-
Stonington Gray	-	-	-	-	-	-	-	-	-	-	-
Super White	-	-	-	-	-	-	-	-	-	-	-
White Dove	-	-	-	-	-	-	-	-	-	-	-
Classic Select Paints ●	-	-	-	-	-	-	-	-	-	-	-

FINISH ENHANCEMENTS:

Highlight Glaze	-	-	-	-	-	-	-	-	-	-	-
Antique Glaze	-	+15%	+15%	+15%	+15%	+15%	+15%	+15%	+15%	-	-
Old World ✕◇	-	-	-	-	-	-	-	-	-	-	-
Vintage ★	-	-	-	-	-	-	-	-	-	-	-
Bisque ★◇	-	-	-	-	-	-	-	-	-	-	-
Light Brush Stroke ★◇	-	-	-	-	-	-	-	-	-	-	-
Heavy Brush Stroke ★◇	-	-	-	-	-	-	-	-	-	-	-
Distressed	-	-	-	-	-	-	-	-	-	-	-
Pencil Edge Sanding ★	-	-	-	-	-	-	-	-	-	-	-

✕ = not available on paint finishes. ◇ = increases lead time by 10 days. ● = Increases lead times by 5 days.
 ★ = only available on paint finishes; see Finish Specifications section for color availability. Not available on rustic.

SHAKER

Standard Feature: **S**

Not Available: **—**

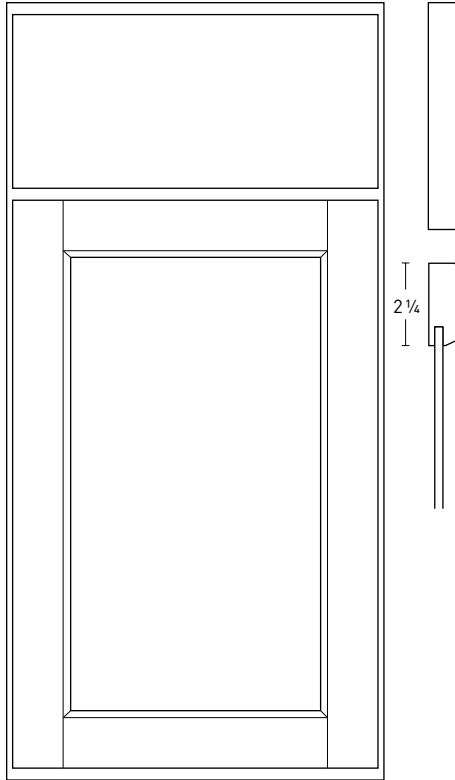
Price Group B

STANDARD INFORMATION:

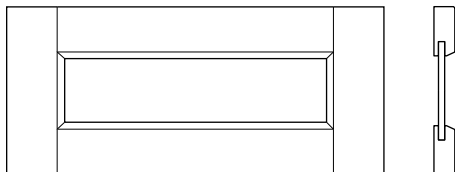
Overlay	Full
Panel Type	5.2 mm Recessed Panel
Standard Drawer Fronts	Slab

OPTIONS: (by request)

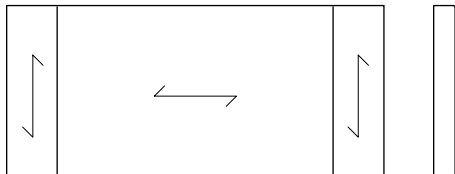
Drawer Front Upgrade (Per Drawer)	5-Piece: \$60	Trinity (3-Piece): \$50	Marcel (1" Thick): \$40
Edge Profile Change (Per Door/Drawer)	Available -\$30		
Inset \diamond	Flush: +20%	Beaded (1/4" or 3/8"): +30%	Chamfer, Ogee, Stepped: +40%
Solid Reverse Panel (SRP)	+20%		
Beaded Panels \blacktriangle	+5%		
Arched Doors	Crescent: \$115 (Per Door)		
Victorian	\$95 per door		



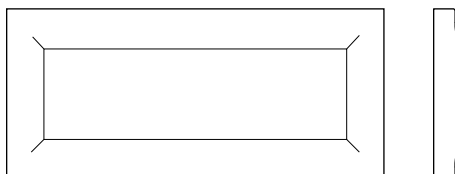
Edge Profile: C
Framing Bead: Shaker
Panel: 992 (5.2 mm)



Optional 5-Piece Drawer Front
See Drawer Height Chart #1



Optional Trinity Front (3-Piece)
↔ = Grain Direction



Optional Marcel Drawer Front (1" Thick)

	PAINT GRADE	OAK	HICKORY	MAPLE	ALDER	CHERRY	1/2-SAWN OAK	WALNUT	BAMBOO \square	RED BIRCH \square	LYPTUS \square
Clear	+0%	+0%	+7%	+7%	+7%	+15%	+40%	+40%	+40%	+40%	+40%
Rustic	—	+0%	+7% \blacktriangle	+7%	+7%	+15%	—	+40%	—	—	—

STAIN FINISHES:

Cocoa	—	S	S	S	S	S	S	S	S	S	S
Ecru NEW	—	S	S	S	S	S	S	S	S	S	S
Stone NEW	—	S	S	S	S	S	S	S	S	S	S
Graphite	—	S	S	S	S	S	S	S	S	S	S
Greystone	—	S	S	S	S	S	S	S	S	S	S
Honey	—	S	S	S	S	S	S	S	S	S	S
Ivory	—	S	S	S	S	S	S	S	S	S	S
Java	—	S	S	S	S	S	S	S	S	S	S
Kodiak	—	S	S	S	S	S	S	S	S	S	S
Lilac NEW	—	S	S	S	S	S	S	S	S	S	S
Limestone	—	S	S	S	S	S	S	S	S	S	S
Natural	—	S	S	S	S	S	S	S	S	S	S
Umber NEW	—	S	S	S	S	S	S	S	S	S	S
Sage	—	S	S	S	S	S	S	S	S	S	S
Salem	—	S	S	S	S	S	S	S	S	S	S
Shale	—	S	S	S	S	S	S	S	S	S	S
Porcini NEW	—	S	S	S	S	S	S	S	S	S	S
Spice	—	S	S	S	S	S	S	S	S	S	S
Obsidian NEW	—	S	S	S	S	S	S	S	S	S	S
Straw NEW	—	S	S	S	S	S	S	S	S	S	S

PAINT FINISHES:

Azure NEW	+18%	+18%	—	+18%	+18%	—	—	—	—	—	—
Bright White NEW	+18%	+18%	—	+18%	+18%	—	—	—	—	—	—
Gibraltar Cliffs NEW	+18%	+18%	—	+18%	+18%	—	—	—	—	—	—
Glacier	+18%	+18%	—	+18%	+18%	—	—	—	—	—	—
Kendall Charcoal	+18%	+18%	—	+18%	+18%	—	—	—	—	—	—
Midnight	+18%	+18%	—	+18%	+18%	—	—	—	—	—	—
Olive NEW	+18%	+18%	—	+18%	+18%	—	—	—	—	—	—
Revere Pewter NEW	+18%	+18%	—	+18%	+18%	—	—	—	—	—	—
Regent Blue NEW	+18%	+18%	—	+18%	+18%	—	—	—	—	—	—
Smoke NEW	+18%	+18%	—	+18%	+18%	—	—	—	—	—	—
Solitude	+18%	+18%	—	+18%	+18%	—	—	—	—	—	—
Stonington Gray	+18%	+18%	—	+18%	+18%	—	—	—	—	—	—
Super White	+18%	+18%	—	+18%	+18%	—	—	—	—	—	—
White Dove	+18%	+18%	—	+18%	+18%	—	—	—	—	—	—
Classic Select Paints \bullet	+30%	+30%	—	+30%	+30%	—	—	—	—	—	—

FINISH ENHANCEMENTS:

Highlight Glaze	+8%	+8%	+8%	+8%	+8%	+8%	+8%	+8%	+8%	+8%	+8%
Antique Glaze	+15%	+15%	+15%	+15%	+15%	+15%	+15%	+15%	+15%	+15%	+15%
Old World $\times \diamond$	—	+40%	+40%	+40%	+40%	+40%	+40%	+40%	+40%	+40%	+40%
Vintage \star	—	—	—	—	+15%	—	—	—	—	—	—
Bisque $\star \diamond$	—	—	—	—	+15%	—	—	—	—	—	—
Light Brush Stroke $\star \diamond$	+20%	+20%	—	+20%	—	—	—	—	—	—	—
Heavy Brush Stroke $\star \diamond$	+20%	+20%	—	+20%	—	—	—	—	—	—	—
Distressed	+5%	+5%	+5%	+5%	+5%	+5%	+5%	+5%	+5%	+5%	+5%
Pencil Edge Sanding \star	+8%	+8%	—	+8%	—	—	—	—	—	—	—

» \blacktriangle = SRP required \times = not available on paint finishes \diamond = increases lead time by 10 days \bullet = Increases lead times by 5 days.
 » \star = only available on paint finishes; see Finish Specifications section for color availability. Not available on rustic.
 » Paint finishes are not available on rustic and require an Agreement of Understanding.

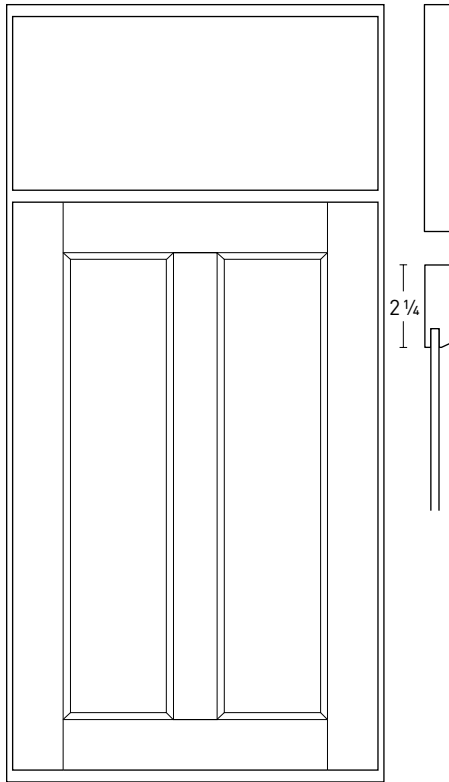
Door Styles

PREFERRED BY KARMAN

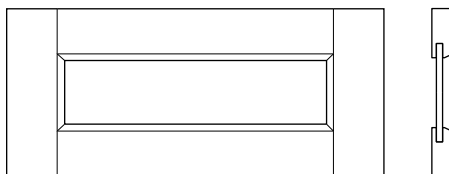
SHAKER COTTAGE

Standard Feature: **S**

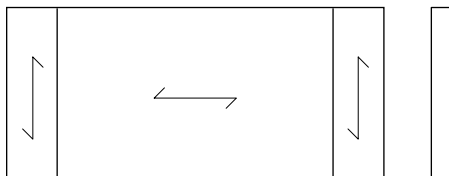
Not Available: **-**



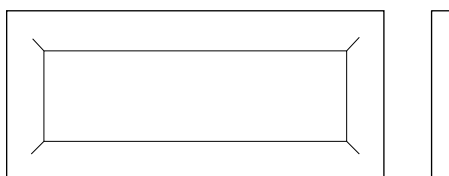
Edge Profile: C
Framing Bead: Shaker
Panel: 992 (5.2 mm)



Optional 5-Piece Drawer Front
See Drawer Height Chart #1



Optional Trinity Front (3-Piece)
↔ = Grain Direction



Optional Marcel Drawer Front (1" Thick)

STANDARD INFORMATION:

Overlay	Full		
Panel Type	5.2mm Recessed Panel		
Standard Drawer Fronts	Slab		
OPTIONS: (by request)			
Drawer Front Upgrade (Per Drawer)	5 Piece: \$60	Trinity (3 Piece): \$50	Marcel (1" Thick): \$40
Edge Profile Change (Per Door/Drawer)	Available -\$30		
Inset \diamond	Flush: +20%	Beaded (1/4" or 3/8"): +30%	Chamfer, Ogee, Stepped: +40%
Solid Reverse Panel (SRP)	+20%		
Beaded Panels \blacktriangle	+5%		
Arched Doors	Crescent: \$115 (Per Door)		
Victorian	\$95 per door		

Price Group C

	PAIN T GRADE	OAK	HICKORY	MAPLE	ALDER	CHERRY	1/4-SAMMOAK	WALNUT	BAMBOO \square	RED BIRCH \square	LYPTUS \square
Clear	+0%	+0%	+7%	+7%	+7%	+15%	+40%	+40%	+40%	+40%	+40%
Rustic	-	+0%	+7% \blacktriangle	+7%	+7%	+15%	-	+40%	-	-	-

STAIN FINISHES:

Cocoa	-	S	S	S	S	S	S	S	S	S	S
Ecru NEW	-	S	S	S	S	S	S	S	S	S	S
Stone NEW	-	S	S	S	S	S	S	S	S	S	S
Graphite	-	S	S	S	S	S	S	S	S	S	S
Greystone	-	S	S	S	S	S	S	S	S	S	S
Honey	-	S	S	S	S	S	S	S	S	S	S
Ivory	-	S	S	S	S	S	S	S	S	S	S
Java	-	S	S	S	S	S	S	S	S	S	S
Kodiak	-	S	S	S	S	S	S	S	S	S	S
Lilac NEW	-	S	S	S	S	S	S	S	S	S	S
Limestone	-	S	S	S	S	S	S	S	S	S	S
Natural	-	S	S	S	S	S	S	S	S	S	S
Umber NEW	-	S	S	S	S	S	S	S	S	S	S
Sage	-	S	S	S	S	S	S	S	S	S	S
Salem	-	S	S	S	S	S	S	S	S	S	S
Shale	-	S	S	S	S	S	S	S	S	S	S
Porcini NEW	-	S	S	S	S	S	S	S	S	S	S
Spice	-	S	S	S	S	S	S	S	S	S	S
Obsidian NEW	-	S	S	S	S	S	S	S	S	S	S
Straw NEW	-	S	S	S	S	S	S	S	S	S	S

PAINT FINISHES:

Azure NEW	+18%	+18%	-	+18%	+18%	-	-	-	-	-	-
Bright White NEW	+18%	+18%	-	+18%	+18%	-	-	-	-	-	-
Gibraltar Cliffs NEW	+18%	+18%	-	+18%	+18%	-	-	-	-	-	-
Glacier	+18%	+18%	-	+18%	+18%	-	-	-	-	-	-
Kendall Charcoal	+18%	+18%	-	+18%	+18%	-	-	-	-	-	-
Midnight	+18%	+18%	-	+18%	+18%	-	-	-	-	-	-
Olive NEW	+18%	+18%	-	+18%	+18%	-	-	-	-	-	-
Revere Pewter NEW	+18%	+18%	-	+18%	+18%	-	-	-	-	-	-
Regent Blue NEW	+18%	+18%	-	+18%	+18%	-	-	-	-	-	-
Smoke NEW	+18%	+18%	-	+18%	+18%	-	-	-	-	-	-
Solitude	+18%	+18%	-	+18%	+18%	-	-	-	-	-	-
Stonington Gray	+18%	+18%	-	+18%	+18%	-	-	-	-	-	-
Super White	+18%	+18%	-	+18%	+18%	-	-	-	-	-	-
White Dove	+18%	+18%	-	+18%	+18%	-	-	-	-	-	-
Classic Select Paints \bullet	+30%	+30%	-	+30%	+30%	-	-	-	-	-	-

FINISH ENHANCEMENTS:

Highlight Glaze	+8%	+8%	+8%	+8%	+8%	+8%	+8%	+8%	+8%	+8%	+8%
Antique Glaze	+15%	+15%	+15%	+15%	+15%	+15%	+15%	+15%	+15%	+15%	+15%
Old World $\times \diamond$	-	+40%	+40%	+40%	+40%	+40%	+40%	+40%	+40%	+40%	+40%
Vintage \star	-	-	-	-	+15%	-	-	-	-	-	-
Bisque $\star \diamond$	-	-	-	-	+15%	-	-	-	-	-	-
Light Brush Stroke $\star \diamond$	+20%	+20%	-	+20%	-	-	-	-	-	-	-
Heavy Brush Stroke $\star \diamond$	+20%	+20%	-	+20%	-	-	-	-	-	-	-
Distressed	+5%	+5%	+5%	+5%	+5%	+5%	+5%	+5%	+5%	+5%	+5%
Pencil Edge Sanding \star	+8%	+8%	-	+8%	-	-	-	-	-	-	-

» \blacktriangle = SRP required. \times = not available on paint finishes. \diamond = increases lead time by 10 days. \bullet = Increases lead times by 5 days.

» \star = only available on paint finishes, see Finish Specifications section for color availability. Not available on rustic.

» Paint finishes are not available on rustic and require an Agreement of Understanding.

SHEFFIELD

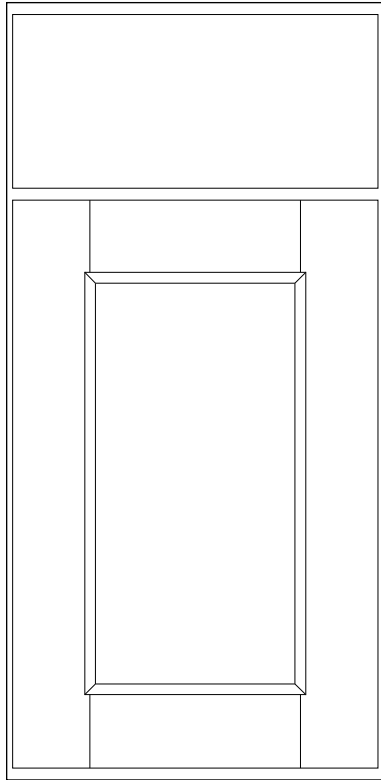
Standard Feature: **S**

Not Available: **—**

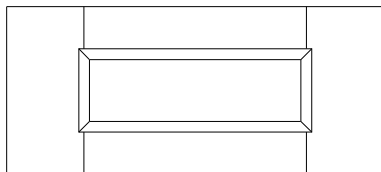
Price Group E

STANDARD INFORMATION:

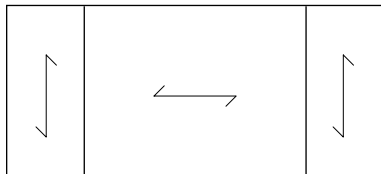
Overlay	Full
Panel Type	5.2 mm Recessed Panel
Standard Drawer Fronts	Slab
OPTIONS: (by request)	
Drawer Front Upgrade (Per Drawer)	5-Piece: \$60 Trinity (3-Piece): \$50 Marcel (1" Thick): \$40
Edge Profile Change (Per Door/Drawer)	Available -\$30
Inset \diamond	Flush: +20% Beaded (1/4" or 3/8"): +30% Chamfer, Ogee, Stepped: +40%
Solid Reverse Panel (SRP)	+20%
Beaded Panels \blacktriangle	+5%
2 Tone	\$115 per door/ 5-Piece Drawer
Victorian	\$95 per door



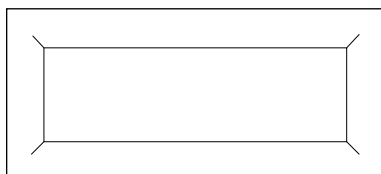
Edge Profile: C
Framing Bead: Door Specific
Panel: 992 [5.2 mm]



Optional 5-Piece Drawer Front
See Drawer Height Chart #2



Optional Trinity Front (3-Piece)
↙ = Grain Direction



Optional Marcel Drawer Front (1" Thick)

	PAIN T GRADE	OAK	HICKORY	MAPLE	ALDER	CHERRY	1/2-SAWN OAK	WALNUT	BAMBOO \square	RED BIRCH \square	LYPTUS \square
Clear	+0%	+0%	+7%	+7%	+7%	+15%	+40%	+40%	—	+40%	+40%
Rustic	—	+0%	+7% \blacktriangle	+7%	+7%	+15%	—	+40%	—	—	—

STAIN FINISHES:

Cocoa	—	S	S	S	S	S	S	S	—	S	S
Ecru NEW	—	S	S	S	S	S	S	S	—	S	S
Stone NEW	—	S	S	S	S	S	S	S	—	S	S
Graphite	—	S	S	S	S	S	S	S	—	S	S
Greystone	—	S	S	S	S	S	S	S	—	S	S
Honey	—	S	S	S	S	S	S	S	—	S	S
Ivory	—	S	S	S	S	S	S	S	—	S	S
Java	—	S	S	S	S	S	S	S	—	S	S
Kodiak	—	S	S	S	S	S	S	S	—	S	S
Lilac NEW	—	S	S	S	S	S	S	S	—	S	S
Limestone	—	S	S	S	S	S	S	S	—	S	S
Natural	—	S	S	S	S	S	S	S	—	S	S
Umber NEW	—	S	S	S	S	S	S	S	—	S	S
Sage	—	S	S	S	S	S	S	S	—	S	S
Salem	—	S	S	S	S	S	S	S	—	S	S
Shale	—	S	S	S	S	S	S	S	—	S	S
Porcini NEW	—	S	S	S	S	S	S	S	—	S	S
Spice	—	S	S	S	S	S	S	S	—	S	S
Obsidian NEW	—	S	S	S	S	S	S	S	—	S	S
Straw NEW	—	S	S	S	S	S	S	S	—	S	S

PAINT FINISHES:

Azure NEW	+18%	+18%	—	+18%	+18%	—	—	—	—	—	—
Bright White NEW	+18%	+18%	—	+18%	+18%	—	—	—	—	—	—
Gibraltar Cliffs NEW	+18%	+18%	—	+18%	+18%	—	—	—	—	—	—
Glacier	+18%	+18%	—	+18%	+18%	—	—	—	—	—	—
Kendall Charcoal	+18%	+18%	—	+18%	+18%	—	—	—	—	—	—
Midnight	+18%	+18%	—	+18%	+18%	—	—	—	—	—	—
Olive NEW	+18%	+18%	—	+18%	+18%	—	—	—	—	—	—
Revere Pewter NEW	+18%	+18%	—	+18%	+18%	—	—	—	—	—	—
Regent Blue NEW	+18%	+18%	—	+18%	+18%	—	—	—	—	—	—
Smoke NEW	+18%	+18%	—	+18%	+18%	—	—	—	—	—	—
Solitude	+18%	+18%	—	+18%	+18%	—	—	—	—	—	—
Stonington Gray	+18%	+18%	—	+18%	+18%	—	—	—	—	—	—
Super White	+18%	+18%	—	+18%	+18%	—	—	—	—	—	—
White Dove	+18%	+18%	—	+18%	+18%	—	—	—	—	—	—
Classic Select Paints \bullet	+30%	+30%	—	+30%	+30%	—	—	—	—	—	—

FINISH ENHANCEMENTS:

Highlight Glaze	+8%	+8%	+8%	+8%	+8%	+8%	+8%	+8%	—	+8%	+8%
Antique Glaze	+15%	+15%	+15%	+15%	+15%	+15%	+15%	+15%	—	+15%	+15%
Old World $\times \diamond$	—	+40%	+40%	+40%	+40%	+40%	+40%	+40%	—	+40%	+40%
Vintage \star	—	—	—	—	+15%	—	—	—	—	—	—
Bisque $\star \diamond$	—	—	—	—	+15%	—	—	—	—	—	—
Light Brush Stroke $\star \diamond$	+20%	+20%	—	+20%	—	—	—	—	—	—	—
Heavy Brush Stroke $\star \diamond$	+20%	+20%	—	+20%	—	—	—	—	—	—	—
Distressed	+5%	+5%	+5%	+5%	+5%	+5%	+5%	+5%	—	+5%	+5%
Pencil Edge Sanding \star	+8%	+8%	—	+8%	—	—	—	—	—	—	—

\blacktriangle = SRP required. \times = not available on paint finishes. \diamond = increases lead time by 10 days. \bullet = Increases lead times by 5 days.

\star = only available on paint finishes; see Finish Specifications section for color availability. Not available on rustic.

\times Paint finishes are not available on rustic and require an Agreement of Understanding.

Door Styles

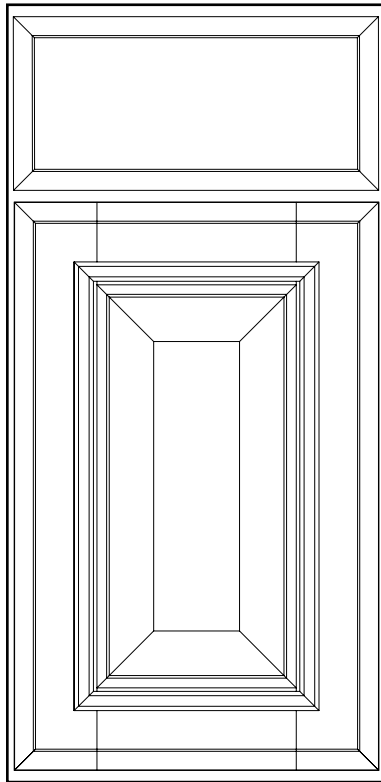
PREFERRED BY KARMAN

STAFFORDSHIRE Lead times will be increased by 10 working days

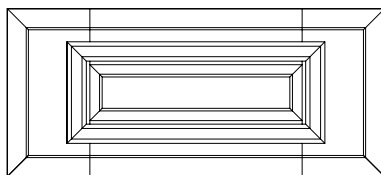
Standard Feature: S

Not Available: -

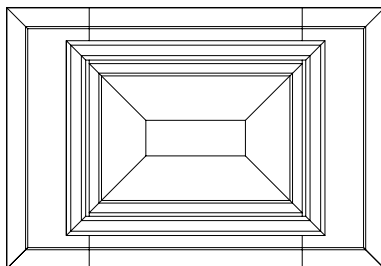
Price Group F



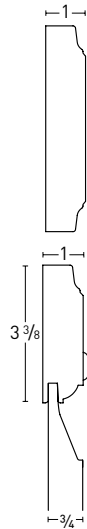
Edge Profile: L281
Framing Bead: Door Specific
Panel: Slant Raise



Optional 5-Piece Drawer Front
SRP 6" - 8 1/4" High



Optional 5-Piece Drawer Front
Raised Panel Over 8 1/4" High



STANDARD INFORMATION:

Overlay	Full
Panel Type	Raised Panel
Standard Drawer Fronts	Slab

OPTIONS: (by request)

Drawer Front Upgrade (Per Drawer)	5-Piece -\$60
Edge Profile Change (Per Door/Drawer)	-
Inset ◇	-
Solid Reverse Panel (SRP)	-
Beaded Panels	-
Arched Doors	-
Victorian	-

	PAINT GRADE	OAK	HICKORY	MAPLE	ALDER	CHERRY	1/2-SAMNOAK	WALNUT	BAMBOO	REDBIRCH	LYPTUS
Clear	+0%	+0%	-	+7%	-	+15%	-	-	+40%	-	-
Rustic	-	-	-	-	-	-	-	-	-	-	-

STAIN FINISHES:

Cocoa	-	S	-	S	-	S	-	-	-	S	-
Ecu NEW	-	S	-	S	-	S	-	-	-	S	-
Stone NEW	-	S	-	S	-	S	-	-	-	S	-
Graphite	-	S	-	S	-	S	-	-	-	S	-
Greystone	-	S	-	S	-	S	-	-	-	S	-
Honey	-	S	-	S	-	S	-	-	-	S	-
Ivory	-	S	-	S	-	S	-	-	-	S	-
Java	-	S	-	S	-	S	-	-	-	S	-
Kodiak	-	S	-	S	-	S	-	-	-	S	-
Lilac NEW	-	S	-	S	-	S	-	-	-	S	-
Limestone	-	S	-	S	-	S	-	-	-	S	-
Natural	-	S	-	S	-	S	-	-	-	S	-
Umber NEW	-	S	-	S	-	S	-	-	-	S	-
Sage	-	S	-	S	-	S	-	-	-	S	-
Salem	-	S	-	S	-	S	-	-	-	S	-
Shale	-	S	-	S	-	S	-	-	-	S	-
Porcini NEW	-	S	-	S	-	S	-	-	-	S	-
Spice	-	S	-	S	-	S	-	-	-	S	-
Obsidian NEW	-	S	-	S	-	S	-	-	-	S	-
Straw NEW	-	S	-	S	-	S	-	-	-	S	-

PAINT FINISHES:

Azure NEW	+18%	+18%	-	+18%	+18%	-	-	-	-	-	-
Bright White NEW	+18%	+18%	-	+18%	+18%	-	-	-	-	-	-
Gibraltar Cliffs NEW	+18%	+18%	-	+18%	+18%	-	-	-	-	-	-
Glacier	+18%	+18%	-	+18%	+18%	-	-	-	-	-	-
Kendall Charcoal	+18%	+18%	-	+18%	+18%	-	-	-	-	-	-
Midnight	+18%	+18%	-	+18%	+18%	-	-	-	-	-	-
Olive NEW	+18%	+18%	-	+18%	+18%	-	-	-	-	-	-
Revere Pewter NEW	+18%	+18%	-	+18%	+18%	-	-	-	-	-	-
Regent Blue NEW	+18%	+18%	-	+18%	+18%	-	-	-	-	-	-
Smoke NEW	+18%	+18%	-	+18%	+18%	-	-	-	-	-	-
Solitude	+18%	+18%	-	+18%	+18%	-	-	-	-	-	-
Stonington Gray	+18%	+18%	-	+18%	+18%	-	-	-	-	-	-
Super White	+18%	+18%	-	+18%	+18%	-	-	-	-	-	-
White Dove	+18%	+18%	-	+18%	+18%	-	-	-	-	-	-
Classic Select Paints ●	+30%	+30%	-	+30%	+30%	-	-	-	-	-	-

FINISH ENHANCEMENTS:

Highlight Glaze	+8%	+8%	-	+8%	+8%	-	-	-	+8%	-
Antique Glaze	+15%	+15%	-	+15%	+15%	-	-	-	+15%	-
Old World ✕◇	-	+40%	-	+40%	+40%	-	-	-	+40%	-
Vintage ★	-	-	-	-	-	-	-	-	-	-
Bisque ★◇	-	-	-	-	-	-	-	-	-	-
Light Brush Stroke ★◇	+20%	+20%	-	+20%	+20%	-	-	-	-	-
Heavy Brush Stroke ★◇	+20%	+20%	-	+20%	+20%	-	-	-	-	-
Distressed	+5%	+5%	-	+5%	+5%	-	-	+5%	+5%	-
Pencil Edge Sanding ★	+8%	+8%	-	+8%	+8%	-	-	-	-	-

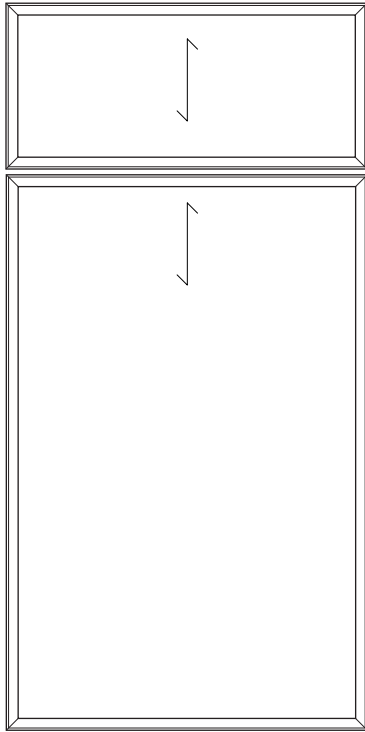
✕ = not available on paint finishes. ◇ = increases lead time by 10 days. ● = Increases lead times by 5 days.
 ★ = only available on paint finishes; see Finish Specifications section for color availability. Not available on rustic.
 ✕ = Paint finishes are not available on rustic and require an Agreement of Understanding.

STELVIO

Standard Feature: S

Not Available: —

Price Group D



← = Grain Direction

Edge Profile: Applied wood moulding
Framing Bead: N/A
Panel: Slab

STANDARD INFORMATION:

Overlay	Full
Panel Type	Engineered Core Veneer Slab with applied wood moulding
Standard Drawer Fronts	5 piece Engineered Core Veneer Slab with applied wood moulding

OPTIONS: (by request)

Inset ◇	—
Edge Profile Change (Per Door/Drawer)	—
Solid Reverse Panel (SRP)	—
Beaded Panels	—
Arched Doors	—
Victorian	—

	PAINT GRADE	FLANSUCED RED OAK	FLANSUCED HICKORY	1/4-SAWN MAPLE	FLANSUCED ALDER	1/4-SAWN CHERRY	PIFT CUT WHITE OAK	1/4-SAWN WALNUT	BAMBOO	RED BIRCH	LYPTUS
Clear	—	+0%	+7%	+7%	+7%	+15%	+40%	+40%	—	—	—
Rustic	—	—	—	—	—	—	—	—	—	—	—

STAIN FINISHES:

Cocoa	—	S	S	S	S	S	S	S	—	—	—
Ecru ^{NEW}	—	S	S	S	S	S	S	S	—	—	—
Stone ^{NEW}	—	S	S	S	S	S	S	S	—	—	—
Graphite	—	S	S	S	S	S	S	S	—	—	—
Greystone	—	S	S	S	S	S	S	S	—	—	—
Honey	—	S	S	S	S	S	S	S	—	—	—
Ivory	—	S	S	S	S	S	S	S	—	—	—
Java	—	S	S	S	S	S	S	S	—	—	—
Kodiak	—	S	S	S	S	S	S	S	—	—	—
Lilac ^{NEW}	—	S	S	S	S	S	S	S	—	—	—
Limestone	—	S	S	S	S	S	S	S	—	—	—
Natural	—	S	S	S	S	S	S	S	—	—	—
Umber ^{NEW}	—	S	S	S	S	S	S	S	—	—	—
Sage	—	S	S	S	S	S	S	S	—	—	—
Salem	—	S	S	S	S	S	S	S	—	—	—
Shale	—	S	S	S	S	S	S	S	—	—	—
Porcini ^{NEW}	—	S	S	S	S	S	S	S	—	—	—
Spice	—	S	S	S	S	S	S	S	—	—	—
Obsidian ^{NEW}	—	S	S	S	S	S	S	S	—	—	—
Straw ^{NEW}	—	S	S	S	S	S	S	S	—	—	—

PAINT FINISHES:

Azure ^{NEW}	+18%	+18%	—	+18%	+18%	—	—	—	—	—	—
Bright White ^{NEW}	+18%	+18%	—	+18%	+18%	—	—	—	—	—	—
Gibraltar Cliffs ^{NEW}	+18%	+18%	—	+18%	+18%	—	—	—	—	—	—
Glacier	+18%	+18%	—	+18%	+18%	—	—	—	—	—	—
Kendall Charcoal	+18%	+18%	—	+18%	+18%	—	—	—	—	—	—
Midnight	+18%	+18%	—	+18%	+18%	—	—	—	—	—	—
Olive ^{NEW}	+18%	+18%	—	+18%	+18%	—	—	—	—	—	—
Revere Pewter ^{NEW}	+18%	+18%	—	+18%	+18%	—	—	—	—	—	—
Regent Blue ^{NEW}	+18%	+18%	—	+18%	+18%	—	—	—	—	—	—
Smoke ^{NEW}	+18%	+18%	—	+18%	+18%	—	—	—	—	—	—
Solitude	+18%	+18%	—	+18%	+18%	—	—	—	—	—	—
Stonington Gray	+18%	+18%	—	+18%	+18%	—	—	—	—	—	—
Super White	+18%	+18%	—	+18%	+18%	—	—	—	—	—	—
White Dove	+18%	+18%	—	+18%	+18%	—	—	—	—	—	—
Classic Select Paints ●	+30%	+30%	—	+30%	+30%	—	—	—	—	—	—

FINISH ENHANCEMENTS:

Highlight Glaze	—	+15%	+15%	+15%	+15%	+15%	+15%	+15%	—	—	—
Antique Glaze	—	+15%	+15%	+15%	+15%	+15%	+15%	+15%	—	—	—
Old World ✧	—	—	—	—	—	—	—	—	—	—	—
Vintage ★	—	—	—	—	—	—	—	—	—	—	—
Bisque ✧	—	—	—	—	—	—	—	—	—	—	—
Light Brush Stroke ✧	—	—	—	—	—	—	—	—	—	—	—
Heavy Brush Stroke ✧	—	—	—	—	—	—	—	—	—	—	—
Distressed	—	—	—	—	—	—	—	—	—	—	—
Pencil Edge Sanding ★	—	—	—	—	—	—	—	—	—	—	—

» ✧ = not available on paint finishes. ◇ = increases lead time by 10 days. ● = Increases lead times by 5 days.
» ★ = only available on paint finishes; see Finish Specifications section for color availability. Not available on rustic.

PLEASE NOTE

-Engineered core material is used on Finished Ends.

This will provide a Finished End that has the same veneer cut as the Seville Door.

*For Example: 1/4 Sawn Walnut Veneers will be present on the Seville Door and any Finished Ends

*In All Plywood construction these Finished Ends will be Engineered core with wood veneers instead of plywood.



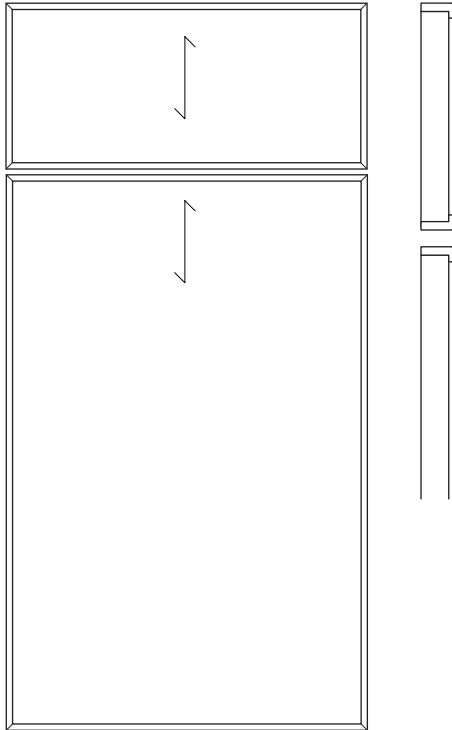
Door Styles

PREFERRED BY KARMAN

TIMPANOGOS

Standard Feature: S

Not Available: —



← = Grain Direction

Edge Profile: Applied wood moulding
Framing Bead: N/A
Panel: Slab

PLEASE NOTE

-Engineered core material is used on Finished Ends.

This will provide a Finished End that has the same veneer cut as the Seville Door.

*For Example: 1/4 Sawn Walnut Veneers will be present on the Seville Door and any Finished Ends

*In All Plywood construction these Finished Ends will be Engineered core with wood veneers instead of plywood.



Price Group D

STANDARD INFORMATION:

Overlay	Full
Panel Type	Engineered Core Veneer Slab with applied wood moulding
Standard Drawer Fronts	5 piece Engineered Core Veneer Slab with applied wood moulding

OPTIONS: (by request)

Inset ◇	-
Edge Profile Change (Per Door/Drawer)	-
Solid Reverse Panel (SRP)	-
Beaded Panels	-
Arched Doors	-
Victorian	-

	PAINT GRADE	PLANSUICED RED OAK	PLANSUICED HICKORY	1/4 SAWN MAPLE	PLANSUICED ALDER	1/4 SAWN CHERRY	BIFLUT WHITE OAK	1/4 SAWN WALNUT	BAMBOO	RED BIRCH	LYPTUS
Clear	-	+0%	+7%	+7%	+7%	+15%	+40%	+40%	-	-	-
Rustic	-	-	-	-	-	-	-	-	-	-	-

STAIN FINISHES:

Cocoa	-	S	S	S	S	S	S	S	-	-	-
Ecu NEW	-	S	S	S	S	S	S	S	-	-	-
Stone NEW	-	S	S	S	S	S	S	S	-	-	-
Graphite	-	S	S	S	S	S	S	S	-	-	-
Greystone	-	S	S	S	S	S	S	S	-	-	-
Honey	-	S	S	S	S	S	S	S	-	-	-
Ivory	-	S	S	S	S	S	S	S	-	-	-
Java	-	S	S	S	S	S	S	S	-	-	-
Kodiak	-	S	S	S	S	S	S	S	-	-	-
Lilac NEW	-	S	S	S	S	S	S	S	-	-	-
Limestone	-	S	S	S	S	S	S	S	-	-	-
Natural	-	S	S	S	S	S	S	S	-	-	-
Umber NEW	-	S	S	S	S	S	S	S	-	-	-
Sage	-	S	S	S	S	S	S	S	-	-	-
Salem	-	S	S	S	S	S	S	S	-	-	-
Shale	-	S	S	S	S	S	S	S	-	-	-
Porcini NEW	-	S	S	S	S	S	S	S	-	-	-
Spice	-	S	S	S	S	S	S	S	-	-	-
Obsidian NEW	-	S	S	S	S	S	S	S	-	-	-
Straw NEW	-	S	S	S	S	S	S	S	-	-	-

PAINT FINISHES:

Azure NEW	+18%	+18%	-	+18%	+18%	-	-	-	-	-	-
Bright White NEW	+18%	+18%	-	+18%	+18%	-	-	-	-	-	-
Gibraltar Cliffs NEW	+18%	+18%	-	+18%	+18%	-	-	-	-	-	-
Glacier	+18%	+18%	-	+18%	+18%	-	-	-	-	-	-
Kendall Charcoal	+18%	+18%	-	+18%	+18%	-	-	-	-	-	-
Midnight	+18%	+18%	-	+18%	+18%	-	-	-	-	-	-
Olive NEW	+18%	+18%	-	+18%	+18%	-	-	-	-	-	-
Revere Pewter NEW	+18%	+18%	-	+18%	+18%	-	-	-	-	-	-
Regent Blue NEW	+18%	+18%	-	+18%	+18%	-	-	-	-	-	-
Smoke NEW	+18%	+18%	-	+18%	+18%	-	-	-	-	-	-
Solitude	+18%	+18%	-	+18%	+18%	-	-	-	-	-	-
Stonington Gray	+18%	+18%	-	+18%	+18%	-	-	-	-	-	-
Super White	+18%	+18%	-	+18%	+18%	-	-	-	-	-	-
White Dove	+18%	+18%	-	+18%	+18%	-	-	-	-	-	-
Classic Select Paints ●	+30%	+30%	-	+30%	+30%	-	-	-	-	-	-

FINISH ENHANCEMENTS:

Highlight Glaze	-	+15%	+15%	+15%	+15%	+15%	+15%	+15%	-	-	-
Antique Glaze	-	+15%	+15%	+15%	+15%	+15%	+15%	+15%	-	-	-
Old World ✕◇	-	-	-	-	-	-	-	-	-	-	-
Vintage ★	-	-	-	-	-	-	-	-	-	-	-
Bisque ✕◇	-	-	-	-	-	-	-	-	-	-	-
Light Brush Stroke ✕◇	-	-	-	-	-	-	-	-	-	-	-
Heavy Brush Stroke ✕◇	-	-	-	-	-	-	-	-	-	-	-
Distressed	-	-	-	-	-	-	-	-	-	-	-
Pencil Edge Sanding ★	-	-	-	-	-	-	-	-	-	-	-

» ✕ = not available on paint finishes. ◇ = increases lead time by 10 days. ● = Increases lead times by 5 days.
» ★ = only available on paint finishes; see Finish Specifications section for color availability. Not available on rustic.

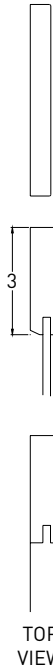
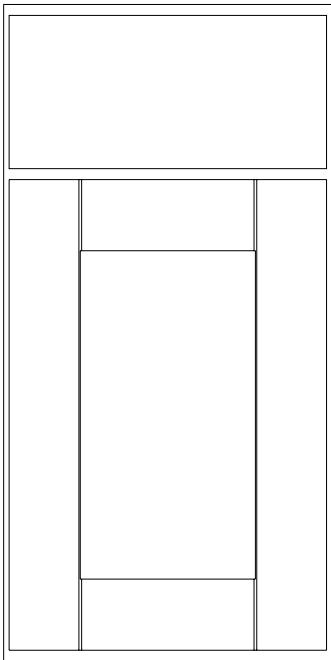
TISSOT

Standard Feature: **S** Not Recommended: **NR** Not Available: **—**

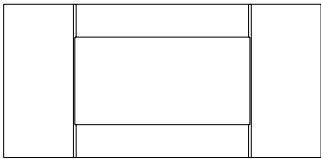
Price Group D

STANDARD INFORMATION:

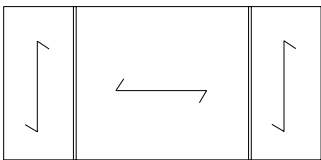
Overlay	Full
Panel Type	5.2 mm Recessed Panel
Standard Drawer Fronts	Slab
OPTIONS: (by request)	
Drawer Front Upgrade (Per Drawer)	5 - Piece: \$60 Trinity (3 - Piece): \$50 Marcel (1" Thick): \$40
Edge Profile Change (Per Door/Drawer)	Available -\$30
Inset ◇	Flush: +20% Beaded (1/4" or 3/8"): +30% Chamfer, Ogee, Stepped: +40%
Solid Reverse Panel (SRP)	+20%
Beaded Panels ▲	+5%
2 Tone	—
Victorian	\$95 per door



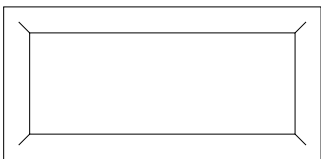
Edge Profile: C
Rail Framing Bead: Square
Stile Framing Bead: Door Specific (V-Grove)
Panel 992 (5.2 mm)



Optional 5 - Piece Drawer Front
See Drawer Height Chart # 2



Optional Trinity Front (3 - Piece)
↙ ↘ = Grain Direction



Optional Marcel Front (1" Thick)

	PAIN	GRADE	OAK	HICKORY	MAPLE	ALDER	CHERRY	1/2-SAWN	WALNUT	BAMBOO	RED BIRCH	LYPTUS
Clear	+0%	+0%	+7%	+7%	+7%	+15%	+40%	+40%	+40%	+40%	+40%	+40%
Rustic	—	+0%	+7%	+7%	+7%	+15%	—	+40%	—	—	—	—

STAIN FINISHES:

Cocoa	—	S	S	S	S	S	S	S	S	S	S	S
Ecru NEW	—	S	S	S	S	S	S	S	S	S	S	S
Stone NEW	—	S	S	S	S	S	S	S	S	S	S	S
Graphite	—	S	S	S	S	S	S	S	S	S	S	S
Greystone	—	S	S	S	S	S	S	S	S	S	S	S
Honey	—	S	S	S	S	S	S	S	S	S	S	S
Ivory	—	S	S	S	S	S	S	S	S	S	S	S
Java	—	S	S	S	S	S	S	S	S	S	S	S
Kodiak	—	S	S	S	S	S	S	S	S	S	S	S
Lilac NEW	—	S	S	S	S	S	S	S	S	S	S	S
Limestone	—	S	S	S	S	S	S	S	S	S	S	S
Natural	—	S	S	S	S	S	S	S	S	S	S	S
Umber NEW	—	S	S	S	S	S	S	S	S	S	S	S
Sage	—	S	S	S	S	S	S	S	S	S	S	S
Salem	—	S	S	S	S	S	S	S	S	S	S	S
Shale	—	S	S	S	S	S	S	S	S	S	S	S
Porcini NEW	—	S	S	S	S	S	S	S	S	S	S	S
Spice	—	S	S	S	S	S	S	S	S	S	S	S
Obsidian NEW	—	S	S	S	S	S	S	S	S	S	S	S
Straw NEW	—	S	S	S	S	S	S	S	S	S	S	S

PAINT FINISHES:

Azure NEW	+18%	+18%	—	+18%	+18%	—	—	—	—	—	—	—
Bright White NEW	+18%	+18%	—	+18%	+18%	—	—	—	—	—	—	—
Gibraltar Cliffs NEW	+18%	+18%	—	+18%	+18%	—	—	—	—	—	—	—
Glacier	+18%	+18%	—	+18%	+18%	—	—	—	—	—	—	—
Kendall Charcoal	+18%	+18%	—	+18%	+18%	—	—	—	—	—	—	—
Midnight	+18%	+18%	—	+18%	+18%	—	—	—	—	—	—	—
Olive NEW	+18%	+18%	—	+18%	+18%	—	—	—	—	—	—	—
Revere Pewter NEW	+18%	+18%	—	+18%	+18%	—	—	—	—	—	—	—
Regent Blue NEW	+18%	+18%	—	+18%	+18%	—	—	—	—	—	—	—
Smoke NEW	+18%	+18%	—	+18%	+18%	—	—	—	—	—	—	—
Solitude	+18%	+18%	—	+18%	+18%	—	—	—	—	—	—	—
Stonington Gray	+18%	+18%	—	+18%	+18%	—	—	—	—	—	—	—
Super White	+18%	+18%	—	+18%	+18%	—	—	—	—	—	—	—
White Dove	+18%	+18%	—	+18%	+18%	—	—	—	—	—	—	—
Classic Select Paints ●	+30%	+30%	—	+30%	+30%	—	—	—	—	—	—	—

FINISH ENHANCEMENTS:

Highlight Glaze	+8%	+8%	+8%	+8%	+8%	+8%	+8%	+8%	+8%	+8%	+8%	+8%
Antique Glaze	+15%	+15%	+15%	+15%	+15%	+15%	+15%	+15%	+15%	+15%	+15%	+15%
Old World ✕◇	—	+40%	+40%	+40%	+40%	+40%	+40%	+40%	+40%	+40%	+40%	+40%
Vintage ★	—	—	—	+15%	—	—	—	—	—	—	—	—
Bisque ★◇	—	—	—	+15%	—	—	—	—	—	—	—	—
Light Brush Stroke ★◇	+20%	+20%	—	+20%	—	—	—	—	—	—	—	—
Heavy Brush Stroke ★◇	+20%	+20%	—	+20%	—	—	—	—	—	—	—	—
Distressed	+5%	+5%	+5%	+5%	+5%	+5%	+5%	+5%	+5%	+5%	+5%	+5%
Pencil Edge Sanding ★	+8%	+8%	—	+8%	—	—	—	—	—	—	—	—

✕ ▲ = SRP required. ✕ = not available on paint finishes. ◇ = increases lead time by 10 days. ● = increases lead times by 5 days.
 ★ = only available on paint finishes; see Finish Specifications section for color availability. Not available on rustic.
 ✕ Paint finishes are not available on rustic and require an Agreement of Understanding.

Door Styles

PREFERRED BY KARMAN

TUCSON

Lead times will be increased by 10 working days

Standard Feature: **S**

Not Recommended: **NR**

Not Available: **-**

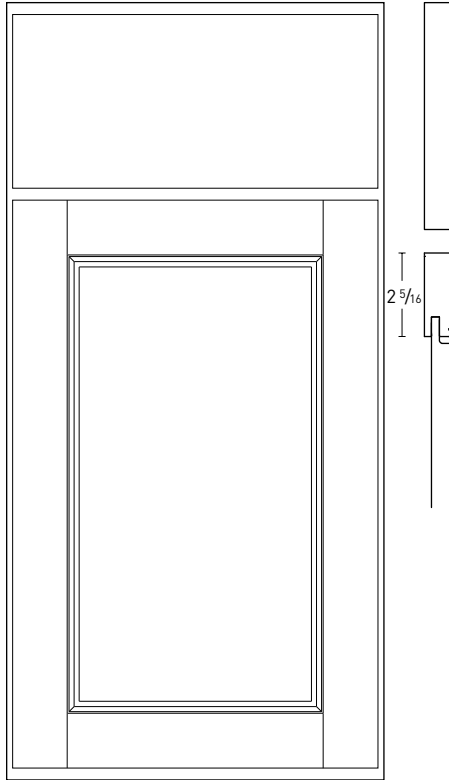
Price Group F

STANDARD INFORMATION:

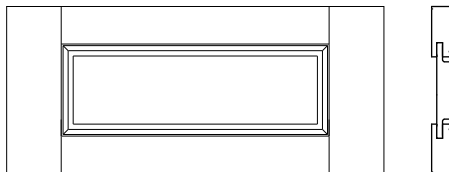
Overlay	Full
Panel Type	Raised Panel
Standard Drawer Fronts	Slab

OPTIONS: (by request)

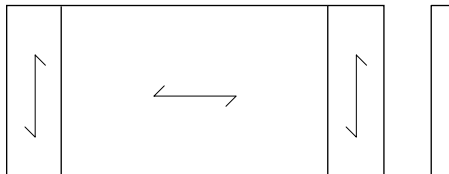
Drawer Front Upgrade (Per Drawer)	5 Piece: \$60	Trinity (3 Piece): \$50	Marcel (1" Thick): \$40
Edge Profile Change (Per Door/Drawer)	-		
Inset \diamond	Flush: +20%	Beaded (1/4" or 3/8"): +30%	Chamfer, Ogee, Stepped: +40%
Solid Reverse Panel (SRP)	-		
Beaded Panels	-		
Arched Doors	-		
Victorian	-		



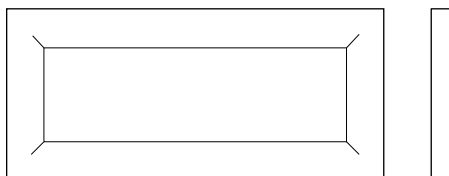
Edge Profile: C
Framing Bead: Door Specific
Panel: Door Specific



Optional 5-Piece Drawer Front
See Drawer Height Chart #1



Optional Trinity Front (3-Piece)
↔ = Grain Direction



Optional Marcel Drawer Front (1" Thick)

	PAIN T GRADE	OAK	HICKORY	MAPLE	ALDER	CHERRY	1/4-SAWN OAK	WALNUT	BAMBOO \square	RED BIRCH \square	LYPTUS \square
Clear	+0%	+0%	+7%	+7%	+7%	+15%	-	+40%	+40%	+40%	-
Rustic	-	-	-	-	-	-	-	-	-	-	-

STAIN FINISHES:

Cocoa	-	S	S	S	S	S	-	S	S	S	-
Ecru NEW	-	S	S	S	S	S	-	S	S	S	-
Stone NEW	-	S	S	S	S	S	-	S	S	S	-
Graphite	-	S	S	S	S	S	-	S	S	S	-
Greystone	-	S	S	S	S	S	-	S	S	S	-
Honey	-	S	S	S	S	S	-	S	S	S	-
Ivory	-	S	S	S	S	S	-	S	S	S	-
Java	-	S	S	S	S	S	-	S	S	S	-
Kodiak	-	S	S	S	S	S	-	S	S	S	-
Lilac NEW	-	S	S	S	S	S	-	S	S	S	-
Limestone	-	S	S	S	S	S	-	S	S	S	-
Natural	-	S	S	S	S	S	-	S	S	S	-
Umber NEW	-	S	S	S	S	S	-	S	S	S	-
Sage	-	S	S	S	S	S	-	S	S	S	-
Salem	-	S	S	S	S	S	-	S	S	S	-
Shale	-	S	S	S	S	S	-	S	S	S	-
Porcini NEW	-	S	S	S	S	S	-	S	S	S	-
Spice	-	S	S	S	S	S	-	S	S	S	-
Obsidian NEW	-	S	S	S	S	S	-	S	S	S	-
Straw NEW	-	S	S	S	S	S	-	S	S	S	-

PAINT FINISHES:

Azure NEW	+18%	+18%	-	+18%	+18%	-	-	-	-	-	-
Bright White NEW	+18%	+18%	-	+18%	+18%	-	-	-	-	-	-
Gibraltar Cliffs NEW	+18%	+18%	-	+18%	+18%	-	-	-	-	-	-
Glacier	+18%	+18%	-	+18%	+18%	-	-	-	-	-	-
Kendall Charcoal	+18%	+18%	-	+18%	+18%	-	-	-	-	-	-
Midnight	+18%	+18%	-	+18%	+18%	-	-	-	-	-	-
Olive NEW	+18%	+18%	-	+18%	+18%	-	-	-	-	-	-
Revere Pewter NEW	+18%	+18%	-	+18%	+18%	-	-	-	-	-	-
Regent Blue NEW	+18%	+18%	-	+18%	+18%	-	-	-	-	-	-
Smoke NEW	+18%	+18%	-	+18%	+18%	-	-	-	-	-	-
Solitude	+18%	+18%	-	+18%	+18%	-	-	-	-	-	-
Stonington Gray	+18%	+18%	-	+18%	+18%	-	-	-	-	-	-
Super White	+18%	+18%	-	+18%	+18%	-	-	-	-	-	-
White Dove	+18%	+18%	-	+18%	+18%	-	-	-	-	-	-
Classic Select Paints \bullet	+30%	+30%	-	+30%	+30%	-	-	-	-	-	-

FINISH ENHANCEMENTS:

Highlight Glaze	+8%	+8%	+8%	+8%	+8%	+8%	-	+8%	+8%	+8%	+8%
Antique Glaze	+15%	+15%	+15%	+15%	+15%	+15%	-	+15%	+15%	+15%	+15%
Old World $\times \diamond$	-	+40%	+40%	+40%	+40%	+40%	-	+40%	+40%	+40%	+40%
Vintage \star	-	-	-	-	+15%	-	-	-	-	-	-
Bisque $\star \diamond$	-	-	-	-	+15%	-	-	-	-	-	-
Light Brush Stroke $\star \diamond$	+20%	+20%	-	+20%	-	-	-	-	-	-	-
Heavy Brush Stroke $\star \diamond$	+20%	+20%	-	+20%	-	-	-	-	-	-	-
Distressed	+5%	+5%	+5%	+5%	+5%	+5%	-	+5%	+5%	+5%	+5%
Pencil Edge Sanding \star	+8%	+8%	-	+8%	-	-	-	-	-	-	-

➤ \times = not available on paint finishes. \diamond = increases lead time by 10 days. \bullet = Increases lead times by 5 days.

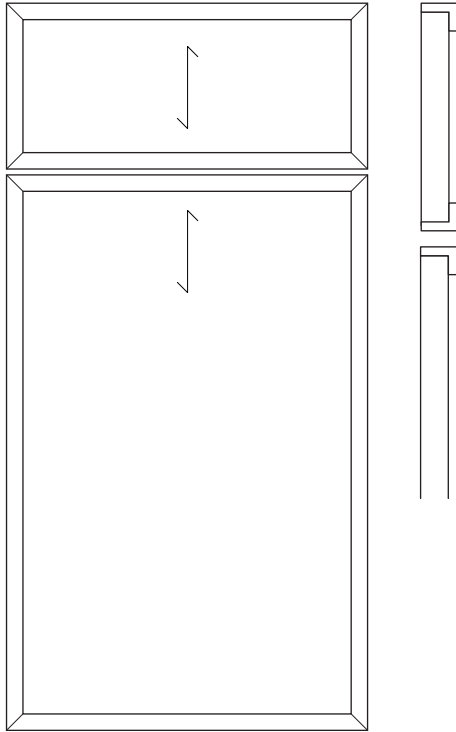
➤ \star = only available on paint finishes; see Finish Specifications section for color availability. Not available on rustic.

➤ Paint finishes are not available on rustic and require an Agreement of Understanding.

WILLOW

Standard Feature: S

Not Available: —



← = Grain Direction

Edge Profile: Applied wood moulding
Framing Bead: N/A
Panel: Slab

PLEASE NOTE

Engineered core material-is used on Finished Ends.

This will provide a Finished End that has the same veneer cut as the Seville Door.

*For Example: 1/4 Sawn Walnut Veneers will be present on the Seville Door and any Finished Ends

In All Plywood construction*these Finished Ends will be Engineered core with wood veneers instead of plywood.



STANDARD INFORMATION:

Overlay	Full
Panel Type	Engineered Core Veneer Slab with applied wood moulding
Standard Drawer Fronts	5 piece Engineered Core Veneer Slab with applied wood moulding

OPTIONS: (by request)

Inset ◇	-
Edge Profile Change (Per Door/Drawer)	-
Solid Reverse Panel (SRP)	-
Beaded Panels	-
Arched Doors	-
Victorian	-

Price Group D

	PAINT GRADE	FLANSUICED RED OAK	FLANSUICED HICKORY	1/4 SAWN MAPLE	FLANSUICED ALDER	1/4 SAWN CHERRY	DIFCULT WHITE OAK	1/4 SAWN WALNUT	BAMBOO	RED BIRCH	LYPTUS
Clear	-	+0%	+7%	+7%	+7%	+15%	+40%	+40%	-	-	-
Rustic	-	-	-	-	-	-	-	-	-	-	-

STAIN FINISHES:

Cocoa	-	S	S	S	S	S	S	S	-	-	-
Ecru ^{NEW}	-	S	S	S	S	S	S	S	-	-	-
Stone ^{NEW}	-	S	S	S	S	S	S	S	-	-	-
Graphite	-	S	S	S	S	S	S	S	-	-	-
Greystone	-	S	S	S	S	S	S	S	-	-	-
Honey	-	S	S	S	S	S	S	S	-	-	-
Ivory	-	S	S	S	S	S	S	S	-	-	-
Java	-	S	S	S	S	S	S	S	-	-	-
Kodiak	-	S	S	S	S	S	S	S	-	-	-
Lilac ^{NEW}	-	S	S	S	S	S	S	S	-	-	-
Limestone	-	S	S	S	S	S	S	S	-	-	-
Natural	-	S	S	S	S	S	S	S	-	-	-
Umber ^{NEW}	-	S	S	S	S	S	S	S	-	-	-
Sage	-	S	S	S	S	S	S	S	-	-	-
Salem	-	S	S	S	S	S	S	S	-	-	-
Shale	-	S	S	S	S	S	S	S	-	-	-
Porcini ^{NEW}	-	S	S	S	S	S	S	S	-	-	-
Spice	-	S	S	S	S	S	S	S	-	-	-
Obsidian ^{NEW}	-	S	S	S	S	S	S	S	-	-	-
Straw ^{NEW}	-	S	S	S	S	S	S	S	-	-	-

PAINT FINISHES:

Azure ^{NEW}	+18%	+18%	-	+18%	+18%	-	-	-	-	-	-
Bright White ^{NEW}	+18%	+18%	-	+18%	+18%	-	-	-	-	-	-
Gibraltar Cliffs ^{NEW}	+18%	+18%	-	+18%	+18%	-	-	-	-	-	-
Glacier	+18%	+18%	-	+18%	+18%	-	-	-	-	-	-
Kendall Charcoal	+18%	+18%	-	+18%	+18%	-	-	-	-	-	-
Midnight	+18%	+18%	-	+18%	+18%	-	-	-	-	-	-
Olive ^{NEW}	+18%	+18%	-	+18%	+18%	-	-	-	-	-	-
Revere Pewter ^{NEW}	+18%	+18%	-	+18%	+18%	-	-	-	-	-	-
Regent Blue ^{NEW}	+18%	+18%	-	+18%	+18%	-	-	-	-	-	-
Smoke ^{NEW}	+18%	+18%	-	+18%	+18%	-	-	-	-	-	-
Solitude	+18%	+18%	-	+18%	+18%	-	-	-	-	-	-
Stonington Gray	+18%	+18%	-	+18%	+18%	-	-	-	-	-	-
Super White	+18%	+18%	-	+18%	+18%	-	-	-	-	-	-
White Dove	+18%	+18%	-	+18%	+18%	-	-	-	-	-	-
Classic Select Paints ●	+30%	+30%	-	+30%	+30%	-	-	-	-	-	-

FINISH ENHANCEMENTS:

Highlight Glaze	-	+15%	+15%	+15%	+15%	+15%	+15%	+15%	-	-	-
Antique Glaze	-	+15%	+15%	+15%	+15%	+15%	+15%	+15%	-	-	-
Old World ✕◇	-	-	-	-	-	-	-	-	-	-	-
Vintage ★	-	-	-	-	-	-	-	-	-	-	-
Bisque ✕◇	-	-	-	-	-	-	-	-	-	-	-
Light Brush Stroke ✕◇	-	-	-	-	-	-	-	-	-	-	-
Heavy Brush Stroke ✕◇	-	-	-	-	-	-	-	-	-	-	-
Distressed	-	-	-	-	-	-	-	-	-	-	-
Pencil Edge Sanding ★	-	-	-	-	-	-	-	-	-	-	-

» ✕ = not available on paint finishes. ◇ = increases lead time by 10 days. ● = Increases lead times by 5 days.
» ★ = only available on paint finishes; see Finish Specifications section for color availability. Not available on rustic.

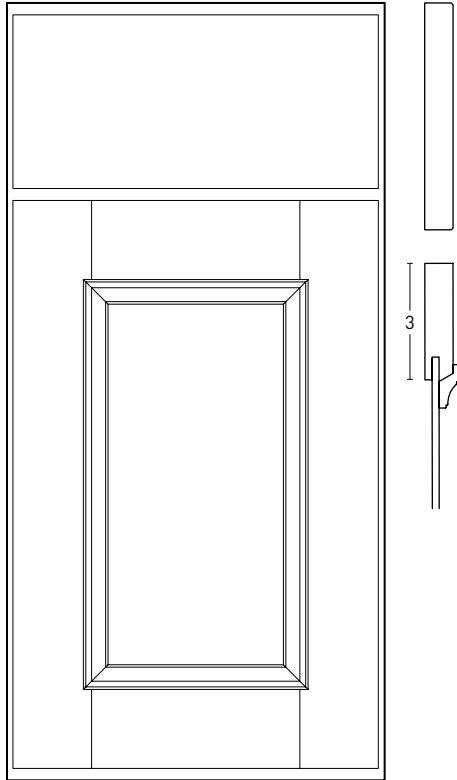
Door Styles

PREFERRED BY KARMAN

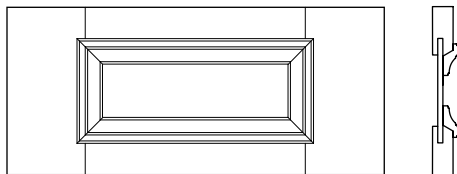
WINSTON

Standard Feature: **S** Not Recommended: **NR** Not Available: **-**

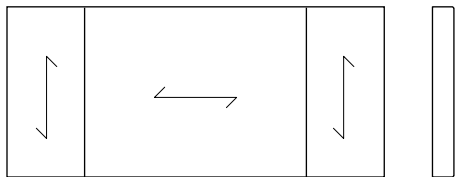
Price Group E



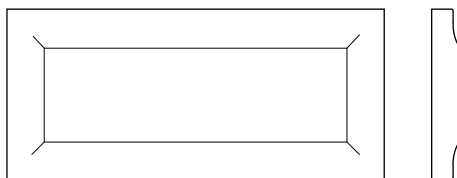
Edge Profile: C
Framing Bead: Door Specific
Panel: 992 (5.2 mm)



Optional 5-Piece Drawer Front
See Drawer Height Chart #2



Optional Trinity Front (3-Piece)
↔ = Grain Direction



Optional Marcel Drawer Front (1" Thick)

STANDARD INFORMATION:

Overlay	Full
Panel Type	5.2 mm Recessed Panel
Standard Drawer Fronts	Slab

OPTIONS: (by request)

Drawer Front Upgrade (Per Drawer)	5-Piece: \$60	Trinity (3-Piece): \$50	Marcel (1" Thick): \$40
Edge Profile Change (Per Door/Drawer)	Available -\$30		
Inset ◇	Flush: +20%	Beaded (1/4" or 3/8"): +30%	Chamfer, Ogee, Stepped: +40%
Solid Reverse Panel (SRP)	+20%		
Beaded Panels ▲	+5%		
2 Tone	\$115 per door/ 5-Piece Drawer		
Victorian	-		

	PAINT GRADE	OAK	HICKORY	MAPLE	ALDER	CHERRY	1/4-SAWN OAK	WALNUT	BAMBOO	RED BIRCH	LYPTUS
Clear	+0%	+0%	+7%	+7%	+7%	+15%	+40%	+40%	-	+40%	+40%
Rustic	-	+0%	+7%▲	+7%	+7%	+15%	-	+40%	-	-	-

STAIN FINISHES:

Cocoa	-	S	S	S	S	S	S	S	-	S	S
Ecru ^{NEW}	-	S	S	S	S	S	S	S	-	S	S
Stone ^{NEW}	-	S	S	S	S	S	S	S	-	S	S
Graphite	-	S	S	S	S	S	S	S	-	S	S
Greystone	-	S	S	S	S	S	S	S	-	S	S
Honey	-	S	S	S	S	S	S	S	-	S	S
Ivory	-	S	S	S	S	S	S	S	-	S	S
Java	-	S	S	S	S	S	S	S	-	S	S
Kodiak	-	S	S	S	S	S	S	S	-	S	S
Lilac ^{NEW}	-	S	S	S	S	S	S	S	-	S	S
Limestone	-	S	S	S	S	S	S	S	-	S	S
Natural	-	S	S	S	S	S	S	S	-	S	S
Umber ^{NEW}	-	S	S	S	S	S	S	S	-	S	S
Sage	-	S	S	S	S	S	S	S	-	S	S
Salem	-	S	S	S	S	S	S	S	-	S	S
Shale	-	S	S	S	S	S	S	S	-	S	S
Porcini ^{NEW}	-	S	S	S	S	S	S	S	-	S	S
Spice	-	S	S	S	S	S	S	S	-	S	S
Obsidian ^{NEW}	-	S	S	S	S	S	S	S	-	S	S
Straw ^{NEW}	-	S	S	S	S	S	S	S	-	S	S

PAINT FINISHES:

Azure ^{NEW}	+18%	+18%	-	+18%	+18%	-	-	-	-	-	-
Bright White ^{NEW}	+18%	+18%	-	+18%	+18%	-	-	-	-	-	-
Gibraltar Cliffs ^{NEW}	+18%	+18%	-	+18%	+18%	-	-	-	-	-	-
Glacier	+18%	+18%	-	+18%	+18%	-	-	-	-	-	-
Kendall Charcoal	+18%	+18%	-	+18%	+18%	-	-	-	-	-	-
Midnight	+18%	+18%	-	+18%	+18%	-	-	-	-	-	-
Olive ^{NEW}	+18%	+18%	-	+18%	+18%	-	-	-	-	-	-
Revere Pewter ^{NEW}	+18%	+18%	-	+18%	+18%	-	-	-	-	-	-
Regent Blue ^{NEW}	+18%	+18%	-	+18%	+18%	-	-	-	-	-	-
Smoke ^{NEW}	+18%	+18%	-	+18%	+18%	-	-	-	-	-	-
Solitude	+18%	+18%	-	+18%	+18%	-	-	-	-	-	-
Stonington Gray	+18%	+18%	-	+18%	+18%	-	-	-	-	-	-
Super White	+18%	+18%	-	+18%	+18%	-	-	-	-	-	-
White Dove	+18%	+18%	-	+18%	+18%	-	-	-	-	-	-
Classic Select Paints ●	+30%	+30%	-	+30%	+30%	-	-	-	-	-	-

FINISH ENHANCEMENTS:

Highlight Glaze	+8%	+8%	+8%	+8%	+8%	+8%	+8%	-	+8%	+8%
Antique Glaze	+15%	+15%	+15%	+15%	+15%	+15%	+15%	-	+15%	+15%
Old World ✕◇	-	+40%	+40%	+40%	+40%	+40%	+40%	+40%	+40%	+40%
Vintage ★	-	-	-	-	+15%	-	-	-	-	-
Bisque ★◇	-	-	-	-	+15%	-	-	-	-	-
Light Brush Stroke ★◇	+20%	+20%	-	+20%	-	-	-	-	-	-
Heavy Brush Stroke ★◇	+20%	+20%	-	+20%	-	-	-	-	-	-
Distressed	+5%	+5%	+5%	+5%	+5%	+5%	+5%	-	+5%	+5%
Pencil Edge Sanding ★	+8%	+8%	-	+8%	-	-	-	-	-	-

- » ▲ = SRP required. ✕ = not available on paint finishes. ◇ = increases lead time by 10 days. ● = Increases lead times by 5 days.
- » ★ = only available on paint finishes; see Finish Specifications section for color availability. Not available on rustic.
- » Paint finishes are not available on rustic and require an Agreement of Understanding.

WOODRIDGE

Lead times will be increased by 10 working days

Standard Feature: **S**

Not Recommended: **NR**

Not Available: **-**

Price Group F

STANDARD INFORMATION:

Overlay	Full
Panel Type	SRP
Standard Drawer Fronts	5-Piece

OPTIONS: (by request)

Drawer Front Upgrade (Per Drawer)	-
Edge Profile Change (Per Door/Drawer)	-
Inset \diamond	-
Solid Reverse Panel (SRP)	Standard Feature
Beaded Panels	-
Arched Doors	-
Victorian	-

	PAIN'T GRADE	OAK	HICKORY	MAPLE	ALDER	CHERRY	1/4-SAWN OAK	WALNUT	BAMBOO \diamond	RED BIRCH \diamond
Clear	+0%	+0%	+7%	+7%	+7%	+15%	-	+40%	-	+40%
Rustic	-	-	-	-	-	-	-	-	-	-

STAIN FINISHES:

Cocoa	-	S	S	S	S	S	-	S	-	S
Ecu NEW	-	S	S	S	S	S	-	S	-	S
Stone NEW	-	S	S	S	S	S	-	S	-	S
Graphite	-	S	S	S	S	S	-	S	-	S
Greystone	-	S	S	S	S	S	-	S	-	S
Honey	-	S	S	S	S	S	-	S	-	S
Ivory	-	S	S	S	S	S	-	S	-	S
Java	-	S	S	S	S	S	-	S	-	S
Kodiak	-	S	S	S	S	S	-	S	-	S
Lilac NEW	-	S	S	S	S	S	-	S	-	S
Limestone	-	S	S	S	S	S	-	S	-	S
Natural	-	S	S	S	S	S	-	S	-	S
Umber NEW	-	S	S	S	S	S	-	S	-	S
Sage	-	S	S	S	S	S	-	S	-	S
Salem	-	S	S	S	S	S	-	S	-	S
Shale	-	S	S	S	S	S	-	S	-	S
Porcini NEW	-	S	S	S	S	S	-	S	-	S
Spice	-	S	S	S	S	S	-	S	-	S
Obsidian NEW	-	S	S	S	S	S	-	S	-	S
Straw NEW	-	S	S	S	S	S	-	S	-	S

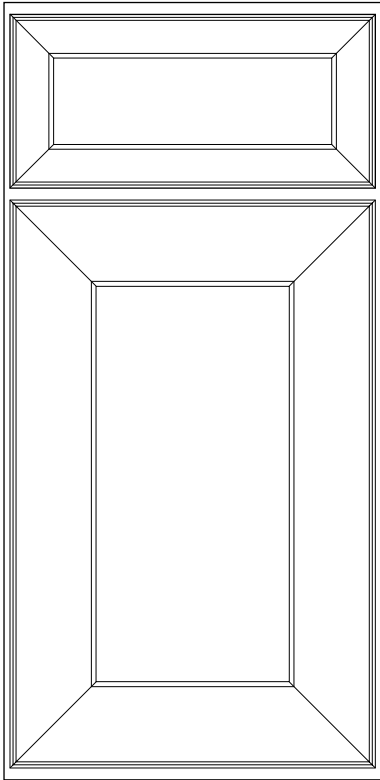
PAINT FINISHES:

Azure NEW	+18%	+18%	-	+18%	+18%	-	-	-	-	-
Bright White NEW	+18%	+18%	-	+18%	+18%	-	-	-	-	-
Gibraltar Cliffs NEW	+18%	+18%	-	+18%	+18%	-	-	-	-	-
Glacier	+18%	+18%	-	+18%	+18%	-	-	-	-	-
Kendall Charcoal	+18%	+18%	-	+18%	+18%	-	-	-	-	-
Midnight	+18%	+18%	-	+18%	+18%	-	-	-	-	-
Olive NEW	+18%	+18%	-	+18%	+18%	-	-	-	-	-
Revere Pewter NEW	+18%	+18%	-	+18%	+18%	-	-	-	-	-
Regent Blue NEW	+18%	+18%	-	+18%	+18%	-	-	-	-	-
Smoke NEW	+18%	+18%	-	+18%	+18%	-	-	-	-	-
Solitude	+18%	+18%	-	+18%	+18%	-	-	-	-	-
Stonington Gray	+18%	+18%	-	+18%	+18%	-	-	-	-	-
Super White	+18%	+18%	-	+18%	+18%	-	-	-	-	-
White Dove	+18%	+18%	-	+18%	+18%	-	-	-	-	-
Classic Select Paints \bullet	+30%	+30%	-	+30%	+30%	-	-	-	-	-

FINISH ENHANCEMENTS:

Highlight Glaze	+8%	+8%	+8%	+8%	+8%	+8%	-	+8%	-	+8%
Antique Glaze	+15%	+15%	+15%	+15%	+15%	+15%	-	+15%	-	+15%
Old World $\times \diamond$	-	+40%	+40%	+40%	+40%	+40%	-	+40%	-	+40%
Vintage \star	-	-	-	-	+15%	-	-	-	-	-
Bisque $\star \diamond$	-	-	-	+15%	-	-	-	-	-	-
Light Brush Stroke $\star \diamond$	+20%	+20%	-	+20%	-	-	-	-	-	-
Heavy Brush Stroke $\star \diamond$	+20%	+20%	-	+20%	-	-	-	-	-	-
Distressed	+5%	+5%	+5%	+5%	+5%	+5%	-	+5%	-	+5%
Pencil Edge Sanding \star	+8%	+8%	-	+8%	-	-	-	-	-	-

- \times = not available on paint finishes. \diamond = increases lead time by 10 days. \bullet = Increases lead times by 5 days.
- \star = only available on paint finishes; see Finish Specifications section for color availability. Not available on rustic.
- Paint finishes are not available on rustic and require an Agreement of Understanding.



Edge Profile: Door Specific
Framing Bead: Door Specific
Panel: 997 (SRP)

Special Note:

- This mitered 3 1/2" wide frame door is specifically designed to have a gap on the inside of the miter joint. The gap allows the door to expand and contract in order to adapt to varying temperatures and moisture levels. It also prevents the joints from separating on the outside.
- This gap on the inside of the joint may completely close or grow to as much as 0.015". The joint will be more obvious on painted finishes.
- When completing the Mitered Agreement of Understanding, this effect should be discussed with the customer as it may present an unfavorable appearance to some users.

ALUMINUM FRAME DOORS

Lead times will be increased by 10 working days

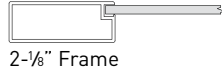
AF002



2-1/8" Frame

If ordered with glass, handle hole locations must be specified or order wrap-around handles.

AF003



2-1/8" Frame

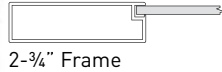
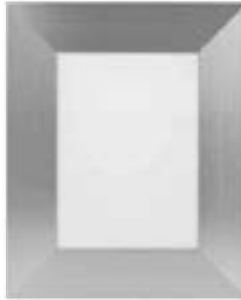
AF006



2-1/8" Frame

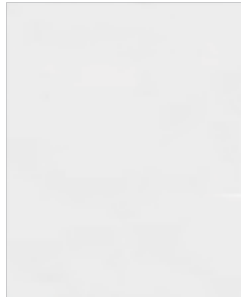
Handle hole locations must be specified or order wrap-around handles.

AF007



2-3/4" Frame

AF010



2-1/8" Frame

Handle hole locations must be specified or order wrap-around handles.

ITEM	Insert Material	PER SQ. FT
AF002 – Aluminum(A), Brushed Stainless(BS)		
M-AF002NG - __	No Glass	197
M-AF002G - __	Glass	277
M-AF002O - __	Other	391
AF002 – White(W), Black(B), Oil Rubbed Bronze(O), Oynx (OX)		
M-AF002NG - __	No Glass	241
M-AF002G - __	Glass	320
M-AF002O - __	Other	434
AF003 – Aluminum(A), Brushed Stainless(BS)		
M-AF003NG - __	No Glass	197
M-AF003G - __	Glass	277
M-AF003O - __	Other	391
AF003 – White(W), Black(B), Oil Rubbed Bronze(O), Oynx (OX)		
M-AF003NG - __	No Glass	241
M-AF003G - __	Glass	320
M-AF003O - __	Other	434
AF006 – Aluminum(A), Brushed Stainless(BS)		
M-AF006BPG - __	Back Painted Glass	398
AF006 – White(W), Black(B), Oil Rubbed Bronze(O), Oynx (OX)		
M-AF006BPG - __	Back Painted Glass	429
AF007 – Aluminum(A), Brushed Stainless(BS)		
M-AF007NG - __	No Glass	197
M-AF007G - __	Glass	277
M-AF007O - __	Other	391
AF007 – White(W), Black(B), Oil Rubbed Bronze(O), Oynx (OX)		
M-AF007NG - __	No Glass	241
M-AF007G - __	Glass	320
M-AF007O - __	Other	434
AF010 – Aluminum(A), Brushed Stainless(BS)		
M-AF010BPG - __	Back Painted Glass	398
AF010 – White(W), Black(B), Oil Rubbed Bronze(O), Oynx (OX)		
M-AF010BPG - __	Back Painted Glass	426

- » Price group A cost will be used for all cabinets with Aluminum Frame Doors.
Example: W1830 will be \$305 + Aluminum Frame Door price, regardless of door style.
- » Specify glass type or other material type and frame finish when ordering. See insert options on next page.
Example: W1830 with an AF003 door in Aluminum finish and Satin Glass insert: M-AF003G-A-S
- » Pricing is by the square foot.
Example: W1830 with M-AF003-A-S. 18"x30" = 3.75 Sq. Ft.
Standard glass on AF003 in Aluminum finish is \$277 per Sq. Ft. 3.75 Sq. Ft. x \$277 = 1039 list price for the aluminum frame door.
- » AF006 and AF010 are only available with Back Painted Glass which is included in the price.
- » Knob and handle boring through aluminum framing and acrylic inserts can be completed on-site. Knob and handle drilling is available on AF006 and AF010. Knob and handle drilling is also available on AF002 when ordered with glass.
Add \$28 per hole.
- » All door design are 13/16" thick.
- » Min. width/height: 5 -1/2" (6 3/4" on AF007); Max. width/height: 96"; Max. St/Ft: 10 Sq/Ft.
- » Stainless Steel finish is a "brushed stainless steel look" on aluminum. Black, White and Oil Rubbed Bronze and Oynx are powder coat finishes on aluminum.

ALUMINUM FRAME DOOR HARDWARE

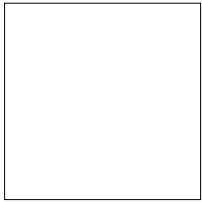


ITEM	FINISH	SIZE	
P2-A	Aluminum	3" W. x 15/8" H.	23
P2-SS	Stainless	3" W. x 15/8" H.	23
P2-ORB	Oil Rubbed Bronze	3" W. x 15/8" H.	28

» This handle wraps around the edge of door and secures to the back of door.

ALUMINUM FRAME DOOR INSERTS — GLASS

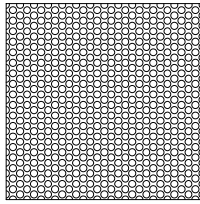
All glass panels are tempered safety glass and have pattern side facing in unless otherwise specified.



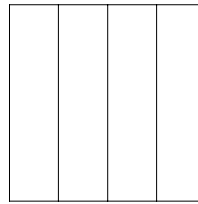
Clear (C)



Satin (S)



Listral D (L)



Reeded (R)
Vertical is standard
Horizontal is optional

New Glass Options:

Smoked Grey (SG)
Low Iron Clear (LIC)
Low Iron Satin (LIS)

ALUMINUM FRAME DOOR INSERTS — OTHER

Back Painted Glass Inserts

Tempered safety glass is painted on back with high quality water based paint. Light gray backer is applied to back of paint.

Colors: White Gloss (WG), White Matte (WM), Black Gloss (BG), Black Matte (BM), Charcoal Gloss (CG), Charcoal Matte (CM), Sand Gloss (SG), Sand Matte (SM), Olive Gloss (OG), Olive Matte (OM), Mocha Gloss (MG), Mocha Matte (MM), Scarlet Gloss (LG), Scarlet Matte (LM), Silver Gloss (VG), Silver Matte (VM), Bronze Gloss (ZG), Bronze Matte (ZM).

Architectural Resin Inserts

Architectural Resins have a slight texture on both faces. Patterns containing organic materials may vary in color and density.



Bear Grass (BGR)



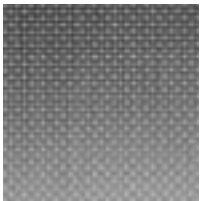
Fossil Leaf (FL)



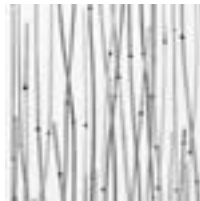
Linea Ivory (LI)



Pop Clear (PC)



Quattro Carbon (QC)



Thatch (TH)



Ting Ting (TT)



Wisp Silver (WS)

Metallic Inserts

Anodized Aluminum and Brushed Stainless Steel are hard board core.

Colors: Anodized Aluminum (AA), Brushed Stainless Steel (SS), and Platinum Ice (PL).

PREFERRED BY KARMAN

WALL CABINETS

SECTION 6

Index by Category and Name

STANDARD

Double Entry Wall Cabinets — 18", 21", 24", 27", 30" - - - - -	6-15
Double Entry Wall Cabinets — 33", 36", 39", 42" - - - - -	6-16
Transom Wall Cabinets - - - - -	6-14
Wall Cabinets — 12" - - - - -	6-1
Wall Cabinets — 15" - - - - -	6-2
Wall Cabinets — 18" - - - - -	6-3
Wall Cabinets — 21" - - - - -	6-4
Wall Cabinets — 24" - - - - -	6-5
Wall Cabinets — 27" - - - - -	6-6
Wall Cabinets — 30" - - - - -	6-7
Wall Cabinets — 33" - - - - -	6-8
Wall Cabinets — 36" - - - - -	6-9
Wall Cabinets — 39" - - - - -	6-10
Wall Cabinets — 42" - - - - -	6-11
Wall Top Hinge Cabinets — 12", 15", 18", 21" - - - - -	6-12
Wall Top Hinge Cabinets — 24", 27", 30" - - - - -	6-13

CORNER

Corner Wall Bi-Fold Cabinets - - - - -	6-22
Corner Wall Cabinets — 24" Wide - - - - -	6-20
Corner Wall Cabinets — 27" Wide - - - - -	6-20
Corner Wall Rotary Cabinets — 24" Wide - - - - -	6-21
Corner Wall Rotary Cabinets — 27" Wide - - - - -	6-21
Corner Wall Small Appliance Center Cabinets - - - - -	6-23
Corner Wall Small Appliance Center Cabinets with Doors - - - - -	6-23
Double Entry Corner Wall Cabinets - - - - -	6-21
Double Entry Corner Wall Rotary Cabinets - - - - -	6-22
Double Entry Wall Blind Corner Cabinets - - - - -	6-19
Transom Corner Wall Cabinets — 24" Wide - - - - -	6-22
Transom Corner Wall Cabinets — 27" Wide - - - - -	6-22
Wall Blind Corner Cabinets — 24", 27", 30", 33" - - - - -	6-17
Wall Blind Corner Cabinets — 36", 39", 42" - - - - -	6-18

SPECIALTY

Apothecary Cabinets - - - - -	6-30
Apothecary Cabinets with Fronts - - - - -	6-31
Microwave Oven Cabinets — 12" Deep - - - - -	6-27
Microwave Oven Cabinets — 21" Deep - - - - -	6-27
Small Appliance Center - - - - -	6-26
Small Appliance Center with Door - - - - -	6-26
Wall Angled Spice Fillers - - - - -	6-37
Wall Desk Letter Organizer Cabinets - - - - -	6-33
Wall One Drawer Cabinets - - - - -	6-28
Wall Plate Rack Cabinets - - - - -	6-33
Wall Plate Rack Cabinets with Valance - - - - -	6-32
Wall Pull Out Cabinets - - - - -	6-36
Wall Small Appliance Center Cabinets - - - - -	6-24
Wall Small Appliance Center Cabinets with Doors - - - - -	6-25
Wall Spice Fillers - - - - -	6-36
Wall Three Drawer Cabinets - - - - -	6-29
Wine Glass Holders - - - - -	6-35
Wine Rack - - - - -	6-35
Wine Rack Diagonal - - - - -	6-34
Wine Rack "X" - - - - -	6-34
Wine Shelf - - - - -	6-35

END OF THE RUN

Peninsula Wall Cabinets - - - - -	6-40
Wall End Angle Cabinets — 24", 27", 30", 33" - - - - -	6-38
Wall End Angle Cabinets — 36", 39", 42" - - - - -	6-39
Wall End Corner Cabinets - - - - -	6-40
Wall End Diagonal Cabinets - - - - -	6-40
Wall What Not 135° Shelves - - - - -	6-41
Wall What Not Diagonal Shelves - - - - -	6-41
Wall What Not Radius Shelves - - - - -	6-41
Wall What Not Shelves — 45° - - - - -	6-40

PREFERRED BY KARMAN

WALL CABINETS

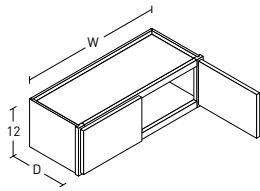
Index by Nomenclature

3-W_12 - - - - - (Wall) - - - - - 6-1	CWSACD24_ - - (Corner Wall SAC) - 6-23	W_33 - - - - - (Wall) - - - - - 6-8
3-W_15 - - - - - (Wall) - - - - - 6-2	CWSACD27_ - - (Corner Wall SAC) - 6-23	W_36 - - - - - (Wall) - - - - - 6-9
3-W_18 - - - - - (Wall) - - - - - 6-3	DCW24_ - - - - - (Corner Wall) - - 6-21	W_39 - - - - - (Wall) - - - - - 6-10
3-W_21 - - - - - (Wall) - - - - - 6-4	DCWR24_ - - - - - (Corner Wall) - - 6-22	W_42 - - - - - (Wall) - - - - - 6-11
3-W_24 - - - - - (Wall) - - - - - 6-5	DLO_ - - - - - (Desk Organizer) - - 6-33	WAC_ - - - - - (Apothecary) - - - 6-30
3-W_27 - - - - - (Wall) - - - - - 6-6	DW_18-__30 - (Double Entry Wall) - 6-15	WACF_ - - - - - (Apothecary) - - - 6-31
3-W_30 - - - - - (Wall) - - - - - 6-7	DW_33-__42 - (Double Entry Wall) - 6-16	WB_24-__33 - (Wall Blind Corner) - - 6-17
3-W_33 - - - - - (Wall) - - - - - 6-8	DWB_ - - - - - (Dbl. Entry Wall Blind) - 6-19	WB_36-__42 - (Wall Blind Corner) - - 6-18
3-W_36 - - - - - (Wall) - - - - - 6-9	MOV27_ - - - - - (MW Cabinets) - - 6-27	WDLO_ - - - - - (Desk Organizer) - - 6-33
3-W_39 - - - - - (Wall) - - - - - 6-10	MOV30_ - - - - - (MW Cabinets) - - 6-27	WEA_24 - __33 - (Wall End Angle) - - 6-38
3-W_42 - - - - - (Wall) - - - - - 6-11	MOVT27_ - - - - (MW Cabinets) - - 6-27	WEA_36 - __42 - (Wall End Angle) - - 6-39
4-W_12 - - - - - (Wall) - - - - - 6-1	MOVT30_ - - - - (MW Cabinets) - - 6-27	WEC_ - - - - - (Wall End Corner) - - 6-40
4-W_15 - - - - - (Wall) - - - - - 6-2	PEN_ - - - - - (Wall Peninsula) - - 6-40	WED_ - - - - - (Wall End Diagonal) - 6-40
4-W_18 - - - - - (Wall) - - - - - 6-3	SACD_ - - - - - (Small Appliance) - 6-26	WGH_ - - - - - (Wine Glass Holders) - 6-35
4-W_21 - - - - - (Wall) - - - - - 6-4	SACDST_ - - - - (Small Appliance) - 6-26	WPRC_ - - - - - (Plate Rack) - - - 6-33
4-W_24 - - - - - (Wall) - - - - - 6-5	SAC_ - - - - - (Small Appliance) - 6-26	WPRC_-(VAL) - - (Plate Rack) - - - 6-32
4-W_27 - - - - - (Wall) - - - - - 6-6	SACST_ - - - - - (Small Appliance) - 6-26	WP_ - - - - - (Wall Pull -Out) - - - 6-36
4-W_30 - - - - - (Wall) - - - - - 6-7	TCW24_ - - - - - (Transom Corner) - 6-22	WRD_ - - - - - (Wine Rack) - - - 6-34
4-W_33 - - - - - (Wall) - - - - - 6-8	TCW27_ - - - - - (Transom Corner) - 6-22	WR_ - - - - - (Wine Rack) - - - 6-35
4-W_36 - - - - - (Wall) - - - - - 6-9	TW_ - - - - - (Transom Wall) - - - 6-14	WRX_ - - - - - (Wine Rack) - - - 6-34
4-W_39 - - - - - (Wall) - - - - - 6-10	VAPC_ - - - - - (Apothecary) - - - 6-30	WSACD_ - - - - - (Wall SAC) - - - - 6-25
4-W_42 - - - - - (Wall) - - - - - 6-11	VAPCF_ - - - - - (Apothecary) - - - 6-31	WSAC_ - - - - - (Wall SAC) - - - - 6-24
APC_ - - - - - (Apothecary) - - - 6-30	W1D_ - - - - - (Wall 1 Drawer) - - 6-28	WSF03_-(_) - (Wall Spice Angled) - 6-37
APCF_ - - - - - (Apothecary) - - - 6-31	W3D_ - - - - - (Wall 3-Drawer) - - 6-29	WSF_ - - - - - (Wall Spice Filler) - - 6-36
CW24_ - - - - - (Corner Wall) - 6-20	W_12 - - - - - (Wall) - - - - - 6-1	WS_ - - - - - (Wine Shelf) - - - - 6-35
CW27_ - - - - - (Corner Wall) - - 6-20	W_15 - - - - - (Wall) - - - - - 6-2	WTH_12-__21 - - - (Wall Top Hinge) - 6-12
CWBF24_ - - - - (Corner Wall Bi Fold) 6-22	W_18 - - - - - (Wall) - - - - - 6-3	WTH_24-__30 - (Wall Top Hinge) - - 6-13
CWR24_ - - - - - (Corner Wall) - - - 6-21	W_21 - - - - - (Wall) - - - - - 6-4	WWN_45 - - - - - (What Not 45°) - - 6-40
CWR27_ - - - - - (Corner Wall) - - - 6-21	W_24 - - - - - (Wall) - - - - - 6-5	WWND_ - - - - - (What Not) - - - - 6-41
CWSAC24_ - - - - (Corner Wall SAC) - - - 6-23	W_27 - - - - - (Wall) - - - - - 6-6	WWN_ - - - - - (What Not) - - - - 6-41
CWSAC27_ - - - - (Corner Wall SAC) - - - 6-23	W_30 - - - - - (Wall) - - - - - 6-7	

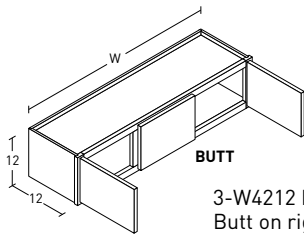
Wall Cabinets | Standard

PREFERRED
BY KARMAN

WALL CABINETS — 12"

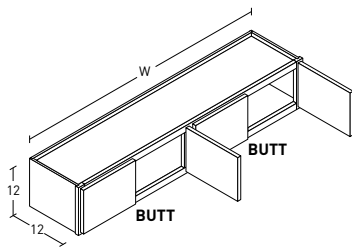


D: 12, 24
W: 24, 27, 30, 33, 36, 39



3-W4212 B R shown.
Butt on right.

W: 42, 45, 48, 51, 54, 57, 60

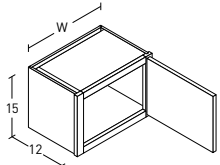


W: 48, 51, 54, 57, 60

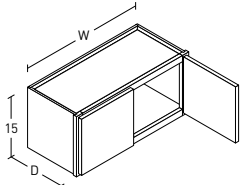
ITEM	A	B	C	D	E	F
2-DOOR CABINETS						
W2412 B	254	280	305	356	383	407
W2712 B	269	296	323	377	406	431
W3012 B	285	314	342	399	429	456
W3012-24 B	402	443	483	563	606	644
W3312 B	303	334	364	424	456	485
W3312-24 B	420	462	504	588	632	672
W3612 B	309	340	371	433	465	494
W3612-24 B	431	475	518	604	649	690
W3912 B	325	359	391	456	490	521
W3912-24 B	443	488	532	621	667	709
3-DOOR CABINETS						
3-W4212 BR-L	466	513	560	653	702	746
3-W4512 BR-L	491	541	590	688	739	786
3-W4812 BR-L	516	568	620	723	777	826
3-W5112 BR-L	542	597	651	759	816	868
3-W5412 BR-L	570	627	684	798	858	912
3-W5712 BR-L	599	659	719	839	902	959
3-W6012 BR-L	629	692	755	881	947	1007
4-DOOR CABINETS						
4-W4812 B	569	626	683	797	857	911
4-W5112 B	598	658	718	838	900	957
4-W5412 B	628	691	754	880	945	1005
4-W5712 B	660	726	792	924	993	1056
4-W6012 B	693	763	832	971	1043	1109

» On 3 door cabinets R-L indicates position of butt door section, other door will be hinged opposite.

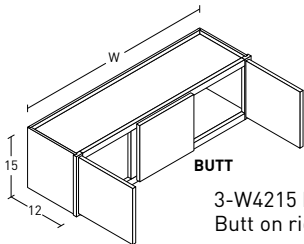
WALL CABINETS — 15"



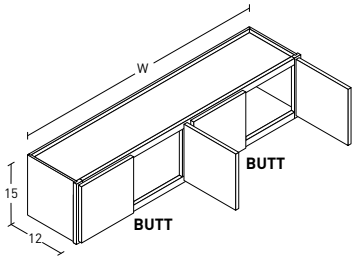
W: 18, 21, 24



D: 12, 24
W: 24, 27, 30, 33, 36, 39



W: 42, 45, 48, 51, 54, 57, 60

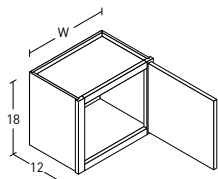


W: 48, 51, 54, 57, 60

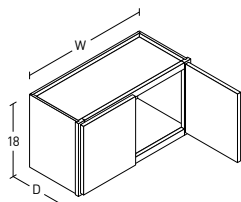
ITEM	A	B	C	D	E	F
1-DOOR CABINETS						
W1815 R-L	206	227	248	289	312	331
W2115 R-L	229	253	276	321	345	367
W2415 R-L	250	276	301	350	376	400
2-DOOR CABINETS						
W2415 B	266	293	320	373	401	426
W2715 B	273	312	328	382	410	436
W3015 B	297	327	357	416	447	475
W3015 -24 B	414	456	497	580	624	663
W3315 B	321	353	386	450	484	514
W3315 -24 B	438	483	526	614	659	701
W3615 B	328	361	391	459	493	524
W3615 -24 B	446	490	535	624	671	713
W3915 B	353	390	425	495	533	566
W3915 -24 B	470	518	565	659	708	753
3-DOOR CABINETS						
3-W4215 BR-L	495	545	594	693	745	792
3-W4515 BR-L	522	575	627	731	786	836
3-W4815 BR-L	549	604	659	769	827	879
3-W5115 BR-L	577	635	693	808	869	924
3-W5415 BR-L	606	667	728	849	912	970
3-W5715 BR-L	637	701	765	892	959	1020
3-W6015 BR-L	669	736	803	937	1007	1071
4-DOOR CABINETS						
4-W4815 B	596	656	716	835	897	954
4-W5115 B	626	689	752	877	942	1002
4-W5415 B	658	724	790	922	990	1053
4-W5715 B	691	761	830	968	1040	1106
4-W6015 B	726	799	872	1017	1093	1162

» On 3 door cabinets R-L indicates position of butt door section, other door will be hinged opposite.

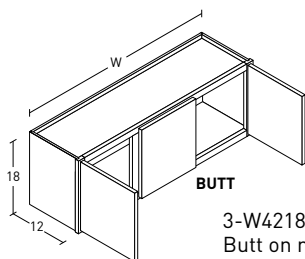
WALL CABINETS — 18"



W: 18, 21, 24

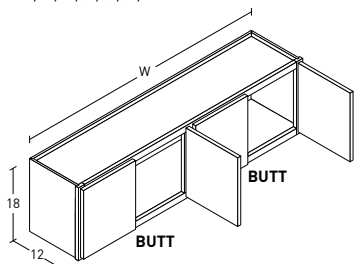


D: 12, 24
W: 24, 27, 30, 33, 36, 39, 42



3-W4218 B R shown.
Butt on right.

W: 42, 45, 48, 51, 54, 57, 60

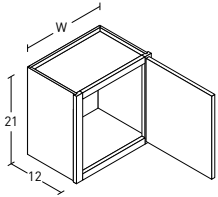


W: 48, 51, 54, 57, 60

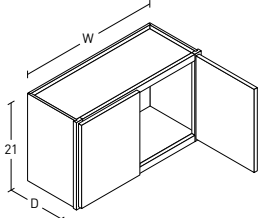
ITEM	A	B	C	D	E	F
1-DOOR CABINETS						
W1818 R-L	229	253	276	321	345	367
W2118 R-L	242	260	290	339	363	386
W2418 R-L	254	280	305	355	382	406
2-DOOR CABINETS						
W2418 B	286	315	344	401	431	458
W2718 B	309	340	371	433	465	494
W3018 B	322	355	387	452	486	516
W3018 -24 B	439	483	527	615	661	703
W3318 B	350	386	421	481	527	560
W3318 -24 B	467	514	561	654	704	748
W3618 B	360	396	432	504	542	576
W3618 -24 B	481	530	578	674	724	770
W3918 B	381	420	458	535	574	610
W3918 -24 B	498	548	598	698	750	797
W4218 B	396	436	476	554	596	634
W4218 -24 B	513	565	616	719	772	821
3-DOOR CABINETS						
3-W4218 BR-L	534	588	641	748	804	855
3-W4518 BR-L	563	620	676	789	847	901
3-W4818 BR-L	592	652	711	829	892	948
3-W5118 BR-L	622	685	747	871	937	996
3-W5418 BR-L	654	720	785	916	985	1047
3-W5718 BR-L	687	756	825	962	1034	1100
3-W6018 BR-L	722	795	867	1011	1087	1156
4-DOOR CABINETS						
4-W4818 B	633	697	760	887	953	1013
4-W5118 B	665	732	798	931	1001	1064
4-W5418 B	699	769	839	979	1052	1119
4-W5718 B	734	808	881	1028	1105	1175
4-W6018 B	771	849	926	1080	1160	1234

» On 3 door cabinets R-L indicates position of butt door section, other door will be hinged opposite.

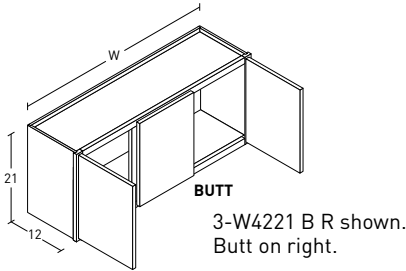
WALL CABINETS — 21"



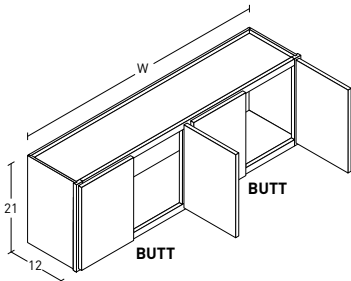
W: 12, 15, 18, 21, 24



D: 12, 24
W: 24, 27, 30, 33, 36, 39, 42



W: 42, 45, 48, 51, 54, 57, 60

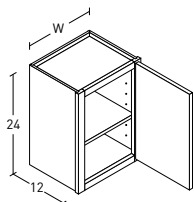


W: 48, 51, 54, 57, 60

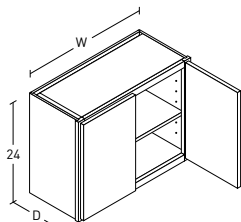
ITEM	A	B	C	D	E	F
1-DOOR CABINETS						
W1221R-L	211	233	254	296	318	338
W1521R-L	225	248	270	315	339	360
W1821R-L	243	268	292	341	366	389
W2121R-L	265	292	318	371	399	424
W2421R-L	288	317	346	404	434	461
2-DOOR CABINETS						
W2421B	319	351	383	447	481	511
W2721B	344	379	413	482	518	551
W3021B	360	396	432	504	542	576
W3021-24 B	478	526	574	669	719	764
W3321B	380	419	457	532	573	609
W3321-24 B	497	547	597	696	719	795
W3621B	403	443	484	565	607	645
W3621-24 B	520	573	625	728	784	833
W3921B	423	465	508	593	636	676
W3921-24 B	540	595	648	756	813	864
W4221B	444	489	533	622	669	711
W4221-24 B	561	618	674	786	845	898
3-DOOR CABINETS						
3-W4221BR-L	474	522	569	664	714	759
3-W4521BR-L	519	571	623	727	782	831
3-W4821BR-L	569	626	683	797	857	911
3-W5121BR-L	650	715	780	910	978	1040
3-W5421BR-L	701	772	842	982	1055	1122
3-W5721BR-L	759	835	911	1063	1143	1215
3-W6021BR-L	816	898	980	1143	1228	1306
4-DOOR CABINETS						
4-W4821B	638	702	766	894	960	1021
4-W5121B	729	802	875	1021	1097	1167
4-W5421B	784	863	941	1098	1180	1255
4-W5721B	850	935	1020	1190	1279	1360
4-W6021B	914	1006	1097	1280	1376	1463

» On 3 door cabinets R-L indicates position of butt door section, other door will be hinged opposite.

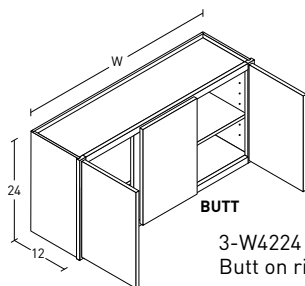
WALL CABINETS — 24"



W: 12, 15, 18, 21, 24

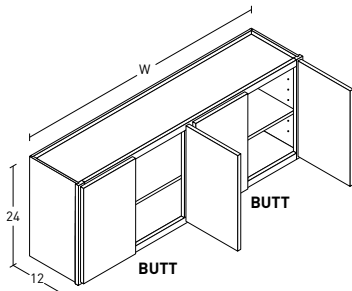


D: 12, 24
W: 24, 27, 30, 33, 36, 39, 42, 45, 48



3-W4224 B R shown.
Butt on right.

W: 42, 45, 48, 51, 54, 57, 60

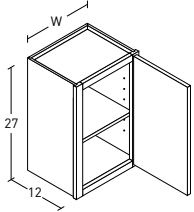


W: 48, 51, 54, 57, 60

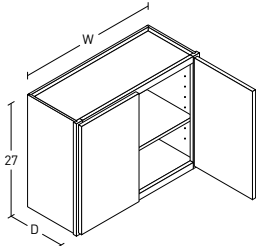
ITEM	A	B	C	D	E	F
1-DOOR CABINETS						
W1224 R-L	221	244	266	310	333	354
W1524 R-L	235	259	283	330	349	371
W1824 R-L	254	279	304	355	382	406
W2124 R-L	277	305	333	389	418	444
W2424 R-L	302	333	363	423	453	484
2-DOOR CABINETS						
W2424 B	327	360	393	458	493	524
W2724 B	352	387	422	493	530	563
W3024 B	367	405	441	514	553	588
W3024 -24 B	484	533	581	678	729	775
W3324 B	388	427	466	543	584	621
W3324 -24 B	504	555	605	706	759	807
W3624 B	413	454	496	579	622	661
W3624 -24 B	530	584	637	742	799	849
W3924 B	435	479	522	609	655	696
W3924 -24 B	552	608	662	773	831	883
W4224 B	453	499	544	635	683	726
W4224 -24 B	570	627	684	798	858	912
W4524 B	477	526	573	669	719	764
W4524 -24 B	594	654	713	832	894	951
W4824 B	498	549	598	698	750	797
W4824 -24 B	615	677	738	861	925	984
3-DOOR CABINETS						
3-W4224 BR-L	597	657	717	836	899	956
3-W4524 BR-L	629	692	755	881	947	1007
3-W4824 BR-L	661	728	794	926	995	1058
3-W5124 BR-L	695	765	834	973	1046	1112
3-W5424 BR-L	730	803	876	1022	1098	1168
3-W5724 BR-L	767	844	921	1074	1155	1228
3-W6024 BR-L	806	887	968	1129	1213	1290
4-DOOR CABINETS						
4-W4824 B	732	806	879	1025	1102	1172
4-W5124 B	769	846	923	1077	1158	1231
4-W5424 B	808	889	970	1132	1216	1293
4-W5724 B	849	934	1019	1189	1278	1359
4-W6024 B	892	982	1071	1249	1343	1428

- » On 3 door cabinets R-L indicates position of butt door section, other door will be hinged opposite.
- » Includes one adjustable shelf.

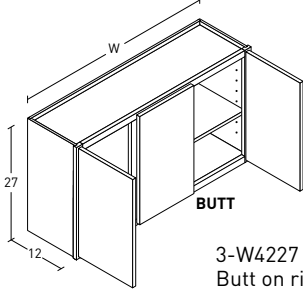
WALL CABINETS — 27"



W: 12, 15, 18, 21, 24

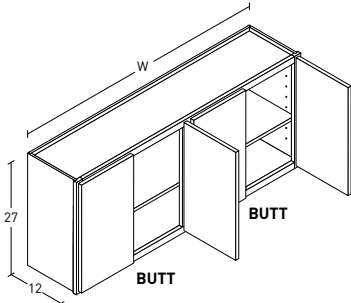


D: 12, 24
W: 24, 27, 30, 33, 36, 39, 42, 45, 48



3-W4227 B R shown.
Butt on right.

W: 42, 45, 48, 51, 54, 57, 60



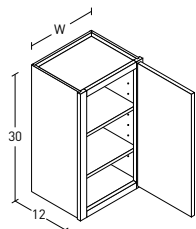
W: 48, 51, 54, 57, 60

ITEM	A	B	C	D	E	F
1-DOOR CABINETS						
W1227 R-L	260	286	312	364	392	416
W1527 R-L	276	304	332	387	416	442
W1827 R-L	295	325	354	413	444	472
W2127 R-L	317	349	381	444	478	508
W2427 R-L	329	362	395	461	496	527
2-DOOR CABINETS						
W2427 B	364	400	436	509	548	582
W2727 B	409	450	491	573	615	654
W3027 B	422	465	507	592	636	676
W3027 -24 B	539	593	647	755	812	863
W3327 B	445	490	534	623	670	712
W3327 -24 B	562	619	675	788	846	899
W3627 B	466	512	559	652	701	745
W3627 -24 B	583	642	700	817	878	933
W3927 B	489	538	587	684	736	782
W3927 -24 B	607	668	729	850	913	971
W4227 B	512	564	615	717	771	820
W4227 -24 B	629	692	755	881	947	1007
W4527 B	536	590	644	751	807	858
W4527 -24 B	653	719	784	915	983	1045
W4827 B	558	614	670	782	840	893
W4827 -24 B	675	743	810	945	1016	1080
3-DOOR CABINETS						
3-W4227 BR-L	650	715	780	910	978	1040
3-W4527 BR-L	685	754	822	959	1031	1096
3-W4827 BR-L	720	792	864	1008	1083	1152
3-W5127 BR-L	756	832	908	1059	1138	1210
3-W5427 BR-L	794	874	953	1112	1195	1271
3-W5727 BR-L	834	918	1001	1168	1255	1335
3-W6027 BR-L	876	964	1052	1227	1318	1402
4-DOOR CABINETS						
4-W4827 B	809	890	971	1133	1218	1295
4-W5127 B	850	935	1020	1190	1279	1360
4-W5427 B	893	983	1072	1251	1344	1429
4-W5727 B	938	1032	1126	1314	1411	1501
4-W6027 B	985	1084	1182	1379	1482	1576

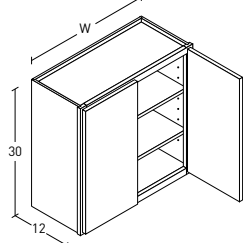
» On 3 door cabinets R-L indicates position of butt door section, other door will be hinged opposite.

» Includes one adjustable shelf.

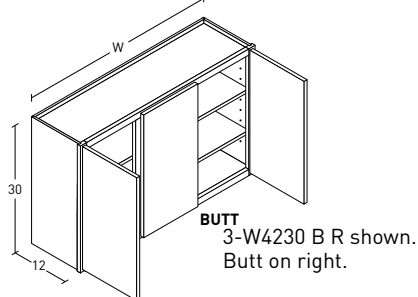
WALL CABINETS — 30"



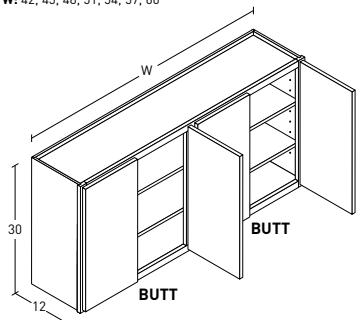
W: 09, 12, 15, 18, 21, 24



W: 24, 27, 30, 33, 36, 39, 42, 45, 48



W: 42, 45, 48, 51, 54, 57, 60

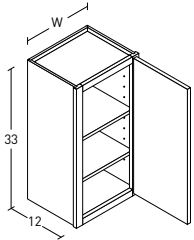


W: 48, 51, 54, 57, 60

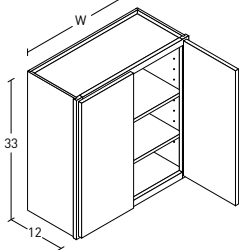
ITEM	A	B	C	D	E	F
1-DOOR CABINETS						
W0930 R-L	243	268	291	340	366	389
W1230 R-L	269	295	322	376	405	430
W1530 R-L	285	314	342	399	429	456
W1830 R-L	305	336	366	427	459	488
W2130 R-L	328	361	394	459	493	524
W2430 R-L	340	374	408	477	512	544
2-DOOR CABINETS						
W2430 B	376	414	452	527	566	602
W2730 B	423	465	508	593	636	676
W3030 B	428	471	514	600	644	685
W3330 B	454	499	545	636	683	726
W3630 B	470	518	565	659	708	753
W3930 B	507	557	608	709	763	811
W4230 B	516	568	619	723	776	825
W4530 B	546	601	656	764	822	874
W4830 B	570	627	684	797	857	911
3-DOOR CABINETS						
3-W4230 B R-L	704	775	845	986	1060	1127
3-W4530 B R-L	742	817	891	1039	1117	1188
3-W4830 B R-L	780	858	936	1092	1174	1248
3-W5130 B R-L	819	901	983	1147	1233	1311
3-W5430 B R-L	860	946	1032	1204	1294	1376
3-W5730 B R-L	903	994	1084	1265	1359	1445
3-W6030 B R-L	949	1044	1139	1329	1428	1519
4-DOOR CABINETS						
4-W4830 B	842	927	1011	1179	1268	1348
4-W5130 B	885	974	1062	1239	1332	1416
4-W5430 B	930	1023	1116	1302	1399	1488
4-W5730 B	977	1075	1173	1368	1471	1564
4-W6030 B	1026	1129	1232	1437	1544	1642

- » On 3 door cabinets R-L indicates position of butt door section, other door will be hinged opposite.
- » 9" wide cabinet not available in mitered door styles.
- » 9" wide doors in all door styles will have 2 1/4" stiles and standard rails.
- » 9" wide doors in all door styles will be square design.
- » Includes two adjustable shelves.

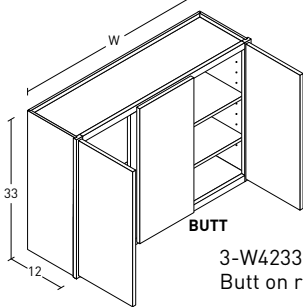
WALL CABINETS — 33"



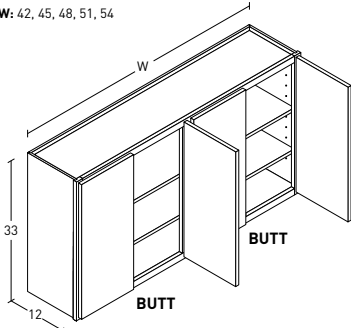
W: 09, 12, 15, 18, 21, 24



W: 24, 27, 30, 33, 36, 39, 42, 45, 48



W: 42, 45, 48, 51, 54

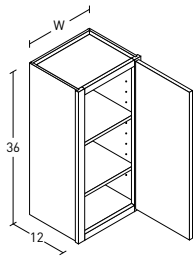


W: 48, 51, 54

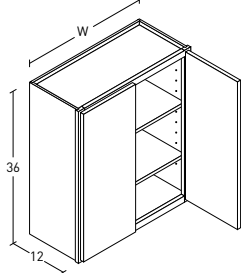
ITEM	A	B	C	D	E	F
1-DOOR CABINETS						
W0933 R-L	291	321	350	408	439	466
W1233 R-L	310	351	372	434	467	496
W1533 R-L	345	380	414	484	519	552
W1833 R-L	365	402	438	511	549	584
W2133 R-L	391	430	469	547	589	626
W2433 R-L	422	464	507	590	635	675
2-DOOR CABINETS						
W2433 B	459	505	551	643	691	735
W2733 B	506	556	607	708	761	809
W3033 B	532	586	639	746	801	852
W3333 B	561	618	674	786	846	899
W3633 B	577	635	693	808	869	924
W3933 B	607	668	729	850	913	971
W4233 B	634	698	761	887	955	1015
W4533 B	659	723	791	923	991	1054
W4833 B	684	752	820	957	1028	1093
3-DOOR CABINETS						
3-W4233 BR-L	853	939	1024	1195	1284	1365
3-W4533 BR-L	899	989	1079	1259	1353	1439
3-W4833 BR-L	944	1039	1133	1322	1421	1511
3-W5133 BR-L	992	1092	1191	1389	1493	1588
3-W5433 BR-L	1042	1147	1251	1459	1568	1668
4-DOOR CABINETS						
4-W4833 B	1019	1121	1223	1427	1534	1631
4-W5133 B	1070	1177	1284	1498	1610	1712
4-W5433 B	1124	1237	1349	1574	1692	1799

- » On 3 door cabinets R-L indicates position of butt door section, other door will be hinged opposite.
- » 9" wide cabinet not available in mitered door styles.
- » 9" wide doors in all door styles will have 2 ¼" stiles and standard rails.
- » 9" wide doors in all door styles will be square design.
- » Includes two adjustable shelves.

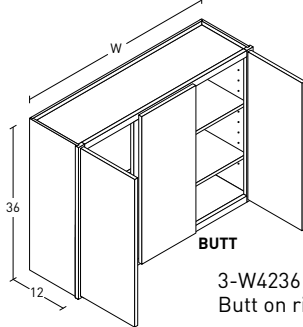
WALL CABINETS — 36"



W: 09, 12, 15, 18, 21, 24

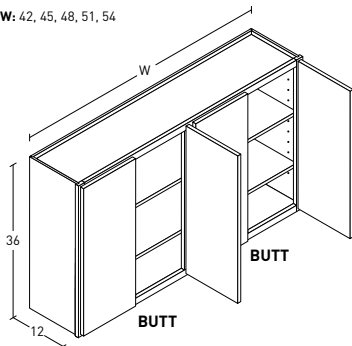


W: 24, 27, 30, 33, 36, 39, 42, 45, 48



3-W4236 B R shown.
Butt on right.

W: 42, 45, 48, 51, 54

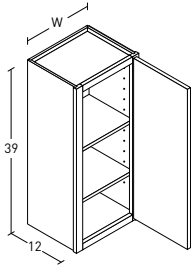


W: 48, 51, 54

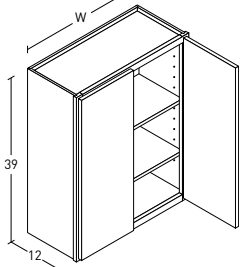
ITEM	A	B	C	D	E	F
1-DOOR CABINETS						
W0936 R-L	291	321	350	408	439	466
W1236 R-L	310	351	372	434	467	496
W1536 R-L	345	380	414	484	519	552
W1836 R-L	365	402	438	511	549	584
W2136 R-L	391	430	469	547	589	626
W2436 R-L	422	464	507	590	635	675
2-DOOR CABINETS						
W2436 B	459	505	551	643	691	735
W2736 B	506	556	607	708	761	809
W3036 B	532	586	639	746	801	852
W3336 B	561	618	674	786	846	899
W3636 B	577	635	693	808	869	924
W3936 B	607	668	729	850	913	971
W4236 B	634	698	761	887	955	1015
W4536 B	659	723	791	923	991	1054
W4836 B	684	752	820	957	1028	1093
3-DOOR CABINETS						
3-W4236 BR-L	853	939	1024	1195	1284	1365
3-W4536 BR-L	899	989	1079	1259	1353	1439
3-W4836 BR-L	944	1039	1133	1322	1421	1511
3-W5136 BR-L	992	1092	1191	1389	1493	1588
3-W5436 BR-L	1042	1147	1251	1459	1568	1668
4-DOOR CABINETS						
4-W4836 B	1019	1121	1223	1427	1534	1631
4-W5136 B	1070	1177	1284	1498	1610	1712
4-W5436 B	1124	1237	1349	1574	1652	1799

- » On 3 door cabinets R-L indicates position of butt door section, other door will be hinged opposite.
- » 9" wide cabinet not available in mitered door styles.
- » 9" wide doors in all door styles will have 2 1/4" stiles and standard rails.
- » 9" wide doors in all door styles will be square design.
- » Includes two adjustable shelves.

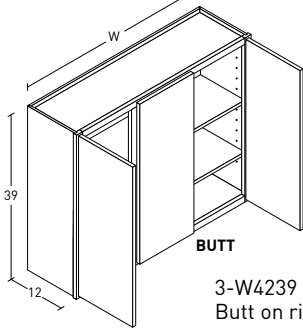
WALL CABINETS — 39"



W: 09, 12, 15, 18, 21, 24

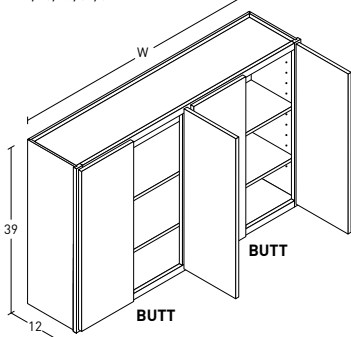


W: 24, 27, 30, 33, 36, 39, 42, 45, 48



3-W4239 B R shown.
Butt on right.

W: 42, 45, 48, 51, 54



W: 48, 51, 54

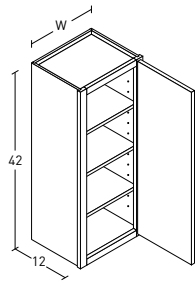
ITEM	A	B	C	D	E	F
1-DOOR CABINETS						
W0939 R-L	338	372	406	473	509	541
W1239 R-L	365	402	438	511	549	584
W1539 R-L	397	437	477	556	597	635
W1839 R-L	430	473	516	602	647	688
W2139 R-L	459	506	551	643	690	734
W2439 R-L	492	542	590	689	740	787
2-DOOR CABINETS						
W2439 B	534	588	641	748	804	855
W2739 B	595	655	714	833	895	952
W3039 B	618	680	743	866	922	980
W3339 B	653	718	783	913	982	1044
W3639 B	682	750	818	955	1025	1090
W3939 B	715	786	857	1000	1075	1143
W4239 B	746	820	895	1044	1121	1192
W4539 B	775	852	930	1085	1165	1239
W4839 B	802	882	962	1122	1207	1283
3-DOOR CABINETS						
3-W4239 BR-L	1006	1107	1208	1409	1514	1610
3-W4539 BR-L	1061	1168	1274	1486	1597	1698
3-W4839 BR-L	1115	1227	1338	1561	1677	1784
3-W5139 BR-L	1171	1289	1406	1640	1762	1874
3-W5439 BR-L	1230	1353	1476	1722	1850	1968
4-DOOR CABINETS						
4-W4839 B	1179	1297	1415	1651	1774	1887
4-W5139 B	1238	1362	1486	1734	1863	1981
4-W5439 B	1300	1430	1560	1820	1956	2080

- » On 3 door cabinets R-L indicates position of butt door section, other door will be hinged opposite.
- » 9" wide cabinet not available in mitered door styles.
- » 9" wide doors in all door styles will have 2 ¼" stiles and standard rails.
- » 9" wide doors in all door styles will be square design.
- » Includes two adjustable shelves.

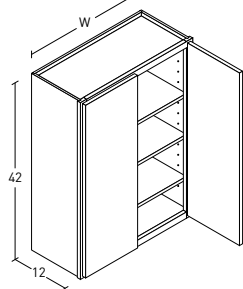
Wall Cabinets | Standard

PREFERRED
BY KARMAN

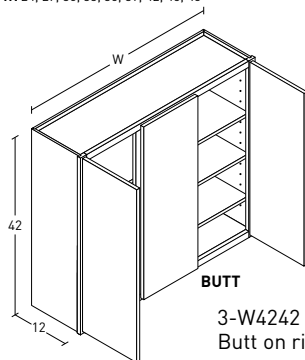
WALL CABINETS — 42"



W: 09, 12, 15, 18, 21, 24

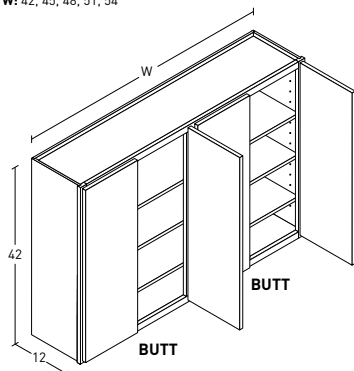


W: 24, 27, 30, 33, 36, 39, 42, 45, 48



3-W4242 B R shown.
Butt on right.

W: 42, 45, 48, 51, 54

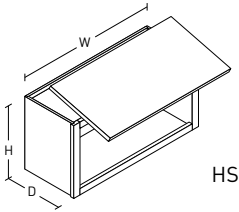
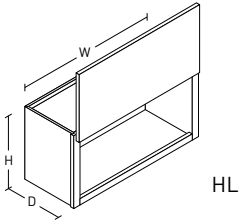
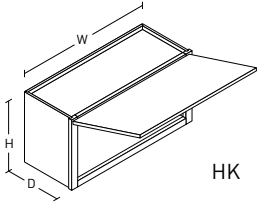


W: 48, 51, 54

ITEM	A	B	C	D	E	F
1-DOOR CABINETS						
W0942 R-L	338	372	406	473	509	541
W1242 R-L	365	402	438	511	549	584
W1542 R-L	397	437	477	556	597	635
W1842 R-L	430	473	516	602	647	688
W2142 R-L	459	506	551	643	690	734
W2442 R-L	492	542	590	689	740	787
2-DOOR CABINETS						
W2442 B	534	588	641	748	804	855
W2742 B	595	655	714	833	895	952
W3042 B	618	680	743	866	922	980
W3342 B	653	718	783	913	982	1044
W3642 B	682	750	818	955	1025	1090
W3942 B	715	786	857	1000	1075	1143
W4242 B	746	820	895	1044	1121	1192
W4542 B	775	852	930	1085	1165	1239
W4842 B	802	882	962	1122	1207	1283
3-DOOR CABINETS						
3-W4242 B R-L	1006	1107	1208	1409	1514	1610
3-W4542 B R-L	1061	1168	1274	1486	1597	1698
3-W4842 B R-L	1115	1227	1338	1561	1677	1784
3-W5142 B R-L	1171	1289	1406	1640	1762	1874
3-W5442 B R-L	1230	1353	1476	1722	1850	1968
4-DOOR CABINETS						
4-W4842 B	1179	1297	1415	1651	1774	1887
4-W5142 B	1238	1362	1486	1734	1863	1981
4-W5442 B	1300	1430	1560	1820	1956	2080

- » On 3 door cabinets R-L indicates position of butt door section, other door will be hinged opposite.
- » 9" wide cabinet not available in mitered door styles.
- » 9" wide doors in all door styles will have 2 1/4" stiles and standard rails.
- » 9" wide doors in all door styles will be square design.
- » Includes three adjustable shelves.

WALL TOP HINGE CABINETS — 12", 15", 18", 21"



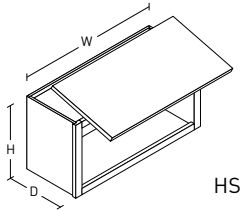
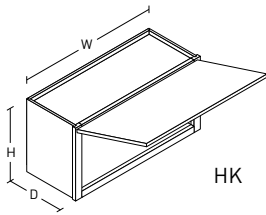
ITEM	A	B	C	D	E	F
12" HIGH						
WTH2412 HK	918	944	969	1020	1047	1071
WTH2712 HK	933	960	987	1041	1070	1095
WTH3012 HK	949	978	1006	1063	1093	1120
WTH3012 -24 HK	1066	1107	1147	1227	1270	1308
WTH3312 HK	967	998	1028	1088	1120	1149
WTH3312 -24 HK	1084	1126	1168	1252	1296	1336
WTH3612 HK	973	1004	1035	1097	1129	1158
WTH3612 -24 HK	1095	1139	1182	1268	1313	1354
15" HIGH						
WTH1815 HK, HL, HS	870	891	912	953	976	995
WTH2115 HK, HL, HS	893	917	940	985	1009	1031
WTH2415 HK, HL, HS	930	957	984	1037	1065	1090
WTH2715 HK, HL, HS	937	976	992	1046	1074	1100
WTH3015 HK, HL, HS	961	991	1021	1080	1111	1139
WTH3015 -24 HK, HL, HS	1078	1120	1161	1244	1288	1327
WTH3315 HK, HL, HS	985	1017	1050	1114	1148	1178
WTH3315 -24 HK, HL, HS	1102	1147	1190	1278	1323	1365
WTH3615 HK, HL, HS	992	1025	1055	1123	1157	1188
WTH3615 -24 HK, HL, HS	1110	1154	1199	1288	1335	1377
18" HIGH						
WTH1818 HK, HL, HS	893	917	940	985	1009	1031
WTH2118 HK, HL, HS	906	924	954	1003	1027	1050
WTH2418 HK, HL, HS	950	979	1008	1065	1095	1122
WTH2718 HK, HL, HS	973	1004	1035	1097	1129	1158
WTH3018 HK, HL, HS	986	1019	1051	1116	1150	1180
WTH3018 -24 HK, HL, HS	1103	1147	1191	1279	1325	1367
WTH3318 HK, HL, HS	1014	1050	1085	1145	1191	1224
WTH3318 -24 HK, HL, HS	1131	1178	1225	1318	1368	1412
WTH3618 HK, HL, HS	1024	1060	1096	1168	1206	1240
WTH3618 -24 HK, HL, HS	1145	1194	1242	1338	1388	1434
21" HIGH						
WTH1821 HK, HL, HS	907	932	956	1005	1030	1053
WTH2121 HK, HL, HS	929	956	982	1035	1063	1088
WTH2421 HK, HL, HS	983	1015	1047	1111	1145	1175
WTH2721 HK, HL, HS	1008	1043	1077	1146	1182	1215
WTH3021 HK, HL, HS	1024	1060	1096	1168	1206	1240
WTH3021 -24 HK, HL, HS	1142	1190	1238	1333	1383	1428
WTH3321 HK, HL, HS	1044	1083	1121	1196	1237	1273
WTH3321 -24 HK, HL, HS	1161	1211	1261	1360	1412	1459
WTH3621 HK, HL, HS	1067	1107	1148	1229	1271	1309
WTH3621 -24 HK, HL, HS	1184	1237	1289	1392	1448	1497

Upgrade to Servo Drive Unit

+1989

- » Indicate whether you want the HK, HL, or HS lift system. See details on next page for clearance specifications.
- » Features door adjustment in three dimensions. Tension adjustment feature is used to fine tune the opening and closing power.
- » All full overlay doors with 2 ¼" stiles that are prepared for glass (PPG) are only available if the stiles are modified to 3 ½" wide.
- » Cabinet must be a minimum of 12" deep. Cabinets over 24" wide will receive a 2-panel wide door with vertical grain.
- » Not available with any Mullion door option.

WALL TOP HINGE CABINETS — 24", 27", 30"

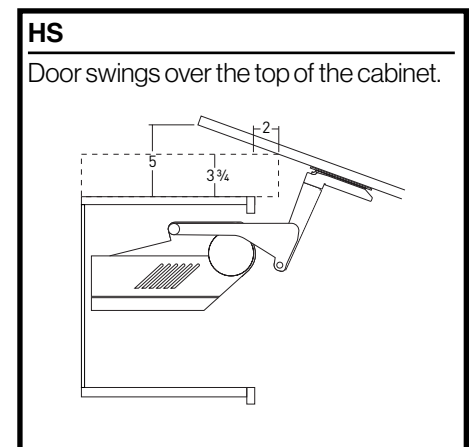
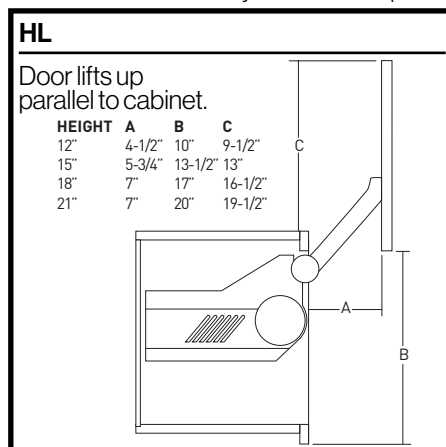
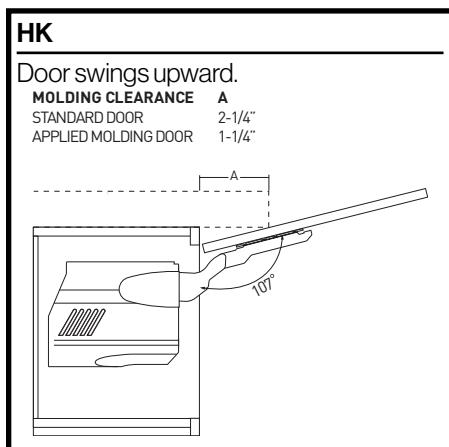


ITEM	SHELVES	A	B	C	D	E	F
24" HIGH							
WTH1824 HK, HS	1	918	943	968	1019	1046	1070
WTH2124 HK, HS	1	941	969	997	1053	1082	1108
WTH2424 HK, HS	1	991	1024	1057	1122	1157	1188
WTH2724 HK, HS	1	1016	1051	1086	1157	1194	1227
WTH3024 HK, HS	1	1031	1069	1105	1178	1217	1252
WTH3024-24 HK, HS	1	1148	1197	1245	1342	1393	1439
WTH3324 HK, HS	1	1052	1091	1130	1207	1248	1285
WTH3324-24 HK, HS	1	1168	1219	1269	1370	1423	1471
WTH3624 HK, HS	1	1077	1118	1160	1243	1286	1325
WTH3624-24 HK, HS	1	1194	1248	1301	1406	1463	1513
27" HIGH							
WTH1827 HS	1	959	989	1018	1077	1108	1136
WTH2127 HS	1	981	1013	1045	1108	1142	1172
WTH2427 HS	1	1028	1064	1100	1173	1212	1246
WTH2727 HS	1	1073	1114	1155	1237	1279	1318
WTH3027 HS	1	1086	1129	1171	1256	1300	1340
WTH3027-24 HS	1	1203	1257	1311	1419	1476	1527
WTH3327 HS	1	1109	1154	1198	1287	1334	1376
WTH3327-24 HS	1	1226	1283	1339	1452	1510	1563
WTH3627 HS	1	1130	1176	1223	1316	1365	1409
WTH3627-24 HS	1	1247	1306	1364	1481	1542	1597
30" HIGH							
WTH1830 HS	1	969	1000	1030	1091	1123	1152
WTH2130 HS	1	992	1025	1058	1123	1157	1188
WTH2430 HS	1	1040	1078	1116	1191	1230	1266
WTH2730 HS	1	1087	1129	1172	1257	1300	1340
WTH3030 HS	1	1092	1135	1178	1264	1308	1349
WTH3330 HS	1	1118	1163	1209	1300	1347	1390
WTH3630 HS	1	1134	1182	1229	1323	1372	1417

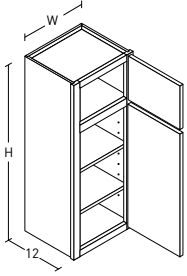
Upgrade to Servo Drive Unit

+1989

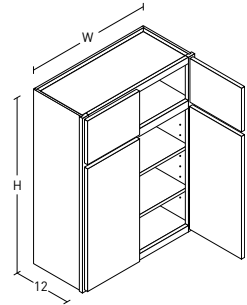
- » Indicate whether you want the HK or HS lift system. See details below for clearance specifications.
- » Features door adjustment in three dimensions. Tension adjustment feature is used to fine tune the opening and closing power.
- » All full overlay doors with 2 1/4" stiles that are prepared for glass (PPG) are only available if the stiles are modified to 3 1/2" wide.
- » Cabinet must be a minimum of 12" deep. Cabinets over 24" wide will receive a 2-panel wide door with vertical grain.
- » Not available with any Mullion door option.



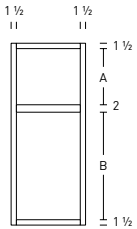
TRANSOM WALL CABINETS



W: 24, 27, 30, 33, 36
H: 42, 48, 54



W: 24, 27, 30, 33, 36
H: 42, 48, 54

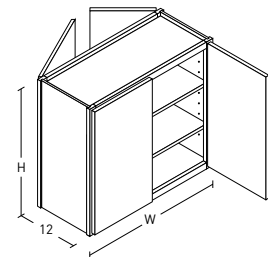


	A	B
42" H	9 28	
48" H	15 28	
54" H	15 34	

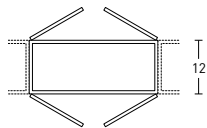
ITEM	SHELVES	A	B	C	D	E	F
42" HIGH							
TW1242 L-R	2	498	548	598	698	750	797
TW1542 L-R	2	525	578	630	735	790	840
TW1842 L-R	2	551	607	662	772	830	882
TW2142 L-R	2	588	647	706	824	885	941
TW2442 L-R	2	612	674	735	857	922	980
TW2442 B	2	682	751	819	955	1027	1092
TW2742 B	2	749	824	899	1049	1128	1199
TW3042 B	2	773	851	928	1083	1163	1237
TW3342 B	2	829	912	995	1161	1248	1327
TW3642 B	2	854	940	1025	1196	1285	1367
48" HIGH							
TW1248 L-R	2	568	625	682	796	855	909
TW1548 L-R	2	599	659	719	839	902	959
TW1848 L-R	2	629	692	755	881	947	1007
TW2148 L-R	2	671	739	806	940	1010	1074
TW2448 L-R	2	698	768	838	978	1050	1117
TW2448 B	2	778	856	934	1090	1171	1245
TW2748 B	2	854	940	1025	1196	1328	1367
TW3048 B	2	882	971	1059	1235	1328	1412
TW3348 B	2	946	1041	1136	1325	1424	1514
TW3648 B	2	974	1072	1169	1364	1466	1559
54" HIGH							
TW1254 L-R	2	648	713	778	908	975	1037
TW1554 L-R	2	683	752	820	957	1028	1093
TW1854 L-R	2	718	790	862	1006	1081	1149
TW2154 L-R	2	765	842	918	1071	1151	1224
TW2454 L-R	2	796	876	956	1115	1198	1274
TW2454 B	2	887	976	1065	1242	1335	1420
TW2754 B	2	974	1072	1169	1364	1466	1559
TW3054 B	2	1006	1107	1208	1409	1514	1610
TW3354 B	2	1079	1187	1295	1511	1624	1727
TW3654 B	2	1112	1224	1335	1557	1674	1780

- » Cabinet comes with an intermediate rail and floor between top and bottom sections.
- » Top door on 42" high cabinets match the door on a 12" high cabinet, top door on 48" and 54" high cabinets match the door on a 18" high cabinet.
- » Bottom door height does not align with standard door heights.

DOUBLE ENTRY WALL CABINETS — 18", 21", 24", 27", 30"



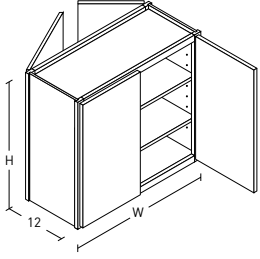
W: 24, 27, 30, 33, 36, 39, 42, 45, 48
H: 18, 21, 24, 27, 30, 33, 36, 39, 42



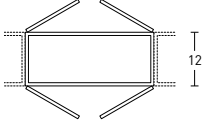
ITEM	SHELVES	A	B	C	D	E	F
18" HIGH							
DW2418 B	-	427	470	513	598	643	684
DW2718 B	-	461	508	554	646	694	738
DW3018 B	-	480	528	576	672	722	768
DW3318 B	-	522	575	627	731	786	836
DW3618 B	-	537	591	645	752	809	860
DW3918 B	-	568	625	682	796	855	909
DW4218 B	-	591	651	710	828	890	946
21" HIGH							
DW2421 B	-	476	524	572	667	717	762
DW2721 B	-	513	565	616	719	772	821
DW3021 B	-	537	591	645	752	809	860
DW3321 B	-	567	624	681	794	854	908
DW3621 B	-	601	662	722	842	905	962
DW3921 B	-	631	695	758	884	950	1010
DW4221 B	-	662	729	795	927	997	1060
24" HIGH							
DW2424 B	1	491	541	590	688	739	786
DW2724 B	1	525	578	630	735	790	840
DW3024 B	1	552	608	663	774	831	883
DW3324 B	1	579	637	695	811	852	927
DW3624 B	1	616	678	739	863	927	986
DW3924 B	1	649	714	779	909	977	1039
DW4224 B	1	677	746	813	949	1019	1084
DW4524 B	1	711	783	854	996	1070	1138
DW4824 B	1	735	809	882	1029	1106	1176
27" HIGH							
DW2427 B	1	543	598	652	761	817	869
DW2727 B	1	610	671	732	854	918	976
DW3027 B	1	629	692	755	881	947	1007
DW3327 B	1	664	731	797	930	1000	1063
DW3627 B	1	695	765	834	973	1046	1112
DW3927 B	1	729	802	875	1021	1097	1167
DW4227 B	1	763	840	916	1069	1148	1221
DW4527 B	1	799	879	959	1119	1203	1279
DW4827 B	1	832	916	999	1165	1253	1332
30" HIGH							
DW2430 B	2	561	618	674	786	845	898
DW2730 B	2	631	695	758	884	950	1010
DW3030 B	2	638	702	766	894	960	1021
DW3330 B	2	677	745	813	948	1019	1084
DW3630 B	2	701	772	842	982	1055	1122
DW3930 B	2	756	832	908	1059	1138	1210
DW4230 B	2	769	846	923	1077	1158	1231
DW4530 B	2	814	896	977	1140	1225	1303
DW4830 B	2	850	935	1020	1190	1279	1360

» Butt door standard on all widths.

DOUBLE ENTRY WALL CABINETS — 33", 36", 39", 42"



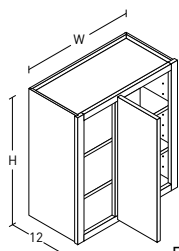
W: 24, 27, 30, 33, 36, 39, 42, 45, 48
H: 18, 21, 24, 27, 30, 33, 36, 39, 42



ITEM	SHELVES	A	B	C	D	E	F
33" HIGH							
DW2433 B	2	684	753	821	958	1030	1095
DW2733 B	2	754	830	905	1056	1135	1207
DW3033 B	2	793	873	952	1111	1193	1269
DW3333 B	2	836	920	1004	1171	1258	1338
DW3633 B	2	860	946	1032	1204	1294	1376
DW3933 B	2	905	996	1086	1267	1362	1448
DW4233 B	2	945	1040	1134	1323	1422	1512
DW4533 B	2	982	1081	1179	1375	1478	1572
DW4833 B	2	1020	1122	1224	1428	1535	1632
36" HIGH							
DW2436 B	2	684	753	821	958	1030	1095
DW2736 B	2	754	830	905	1056	1135	1207
DW3036 B	2	793	873	952	1111	1193	1269
DW3336 B	2	836	920	1004	1171	1258	1338
DW3636 B	2	860	946	1032	1204	1294	1376
DW3936 B	2	905	996	1086	1267	1362	1448
DW4236 B	2	945	1040	1134	1323	1422	1512
DW4536 B	2	982	1081	1179	1375	1478	1572
DW4836 B	2	1020	1122	1224	1428	1535	1632
39" HIGH							
DW2439 B	2	796	876	956	1115	1198	1274
DW2739 B	2	887	976	1065	1242	1335	1420
DW3039 B	2	921	1014	1106	1290	1386	1474
DW3339 B	2	973	1071	1168	1363	1464	1557
DW3639 B	2	1017	1119	1221	1424	1531	1628
DW3939 B	2	1066	1173	1280	1493	1604	1706
DW4239 B	2	1112	1224	1335	1557	1674	1780
DW4539 B	2	1155	1271	1386	1617	1738	1848
DW4839 B	2	1195	1315	1434	1673	1798	1912
42" HIGH							
DW2442 B	3	796	876	956	1115	1198	1274
DW2742 B	3	887	976	1065	1242	1335	1420
DW3042 B	3	921	1014	1106	1290	1386	1474
DW3342 B	3	973	1071	1168	1363	1464	1557
DW3642 B	3	1017	1119	1221	1424	1531	1628
DW3942 B	3	1066	1173	1280	1493	1604	1706
DW4242 B	3	1112	1224	1335	1557	1674	1780
DW4542 B	3	1155	1271	1386	1617	1738	1848
DW4842 B	3	1195	1315	1434	1673	1798	1912

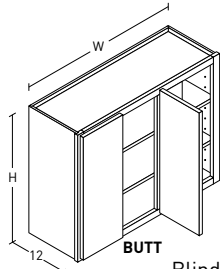
» Butt doors standard on all widths.

WALL BLIND CORNER CABINETS — 24", 27", 30", 33"



Blind right shown

W: 24, 27, 30, 33, 36
H: 24, 27, 30, 33, 36, 39, 42



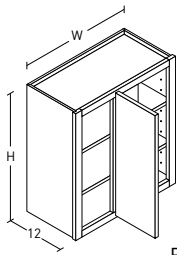
Blind right shown

W: 36, 39, 42, 45, 48
H: 24, 27, 30, 33, 36, 39, 42

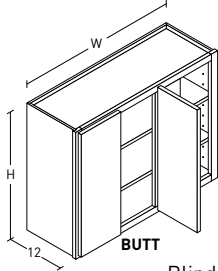
ITEM	SHELVES	A	B	C	D	E	F
24" HIGH							
WB2424 R-L	1	290	319	348	406	437	464
WB2724 R-L	1	307	338	369	430	463	492
WB3024 R-L	1	328	361	394	459	493	524
WB3324 R-L	1	350	385	420	490	527	560
WB3624 R-L	1	365	402	438	511	549	584
WB3624 BR-L	1	386	425	464	541	581	618
WB3924 BR-L	1	408	449	490	572	614	653
WB4224 BR-L	1	449	494	539	629	675	718
WB4524 BR-L	1	498	548	598	698	750	797
WB4824 BR-L	1	545	600	655	763	820	872
27" HIGH							
WB2427 R-L	1	323	357	389	453	487	518
WB2727 R-L	1	347	382	417	486	522	555
WB3027 R-L	1	368	405	441	515	553	588
WB3327 R-L	1	397	437	477	556	597	635
WB3627 R-L	1	421	463	506	589	633	673
WB3627 BR-L	1	443	488	532	621	667	709
WB3927 BR-L	1	462	509	555	647	695	739
WB4227 BR-L	1	500	551	601	701	753	801
WB4527 BR-L	1	527	580	633	738	794	844
WB4827 BR-L	1	550	606	661	771	828	880
30" HIGH							
WB2430 R-L	2	323	357	389	453	487	518
WB2730 R-L	2	347	382	417	486	522	555
WB3030 R-L	2	368	405	441	515	553	588
WB3330 R-L	2	397	437	477	556	597	635
WB3630 R-L	2	421	463	506	589	633	673
WB3630 BR-L	2	443	488	532	621	667	709
WB3930 BR-L	2	462	509	555	647	695	739
WB4230 BR-L	2	500	551	601	701	753	801
WB4530 BR-L	2	527	580	633	738	794	844
WB4830 BR-L	2	550	606	661	771	828	880
33" HIGH							
WB2433 R-L	2	386	425	463	540	580	617
WB2733 R-L	2	413	455	496	579	623	662
WB3033 R-L	2	442	487	531	619	666	708
WB3333 R-L	2	472	520	568	662	711	756
WB3633 R-L	2	500	551	601	701	753	801
WB3633 BR-L	2	526	579	632	737	792	842
WB3933 BR-L	2	552	608	663	774	831	883
WB4233 BR-L	2	605	666	726	847	910	968
WB4533 BR-L	2	638	702	766	894	960	1021
WB4833 BR-L	2	667	734	801	934	1004	1068
Blind Filled Solid							104

- » One-door cabinets hinge on the blind side. (ie. right blind has right hinged door)
- » Two-door cabinets are butt doors, indicate blind left or right.
- » See wall blind corner sizing chart on next page.

WALL BLIND CORNER CABINETS — 36", 39", 42"



W: 24, 27, 30, 33, 36
H: 24, 27, 30, 33, 36, 39, 42



W: 36, 39, 42, 45, 48
H: 24, 27, 30, 33, 36, 39, 42

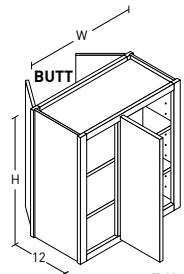
ITEM	SHELVES	A	B	C	D	E	F
36" HIGH							
WB2436 R-L	2	386	425	463	540	580	617
WB2736 R-L	2	413	455	496	579	623	662
WB3036 R-L	2	442	487	531	619	666	708
WB3336 R-L	2	472	520	568	662	711	756
WB3636 R-L	2	500	551	601	701	753	801
WB3636 B-R-L	2	526	579	632	737	792	842
WB3936 B-R-L	2	552	608	663	774	831	883
WB4236 B-R-L	2	605	666	726	847	910	968
WB4536 B-R-L	2	638	702	766	894	960	1021
WB4836 B-R-L	2	667	734	801	934	1004	1068
39" HIGH							
WB2439 R-L	2	449	494	539	629	675	718
WB2739 R-L	2	486	535	583	680	732	778
WB3039 R-L	2	519	572	624	727	782	831
WB3339 R-L	2	557	613	669	781	839	892
WB3639 R-L	2	595	655	714	833	895	952
WB3639 B-R-L	2	621	684	746	870	935	994
WB3939 B-R-L	2	646	712	776	905	972	1034
WB4239 B-R-L	2	706	778	848	989	1064	1131
WB4539 B-R-L	2	743	818	892	1041	1118	1189
WB4839 B-R-L	2	776	853	931	1086	1167	1241
42" HIGH							
WB2442 R-L	3	449	494	539	629	675	718
WB2742 R-L	3	486	535	583	680	732	778
WB3042 R-L	3	519	572	624	727	782	831
WB3342 R-L	3	557	613	669	781	839	892
WB3642 R-L	3	595	655	714	833	895	952
WB3642 B-R-L	3	621	684	746	870	935	994
WB3942 B-R-L	3	646	712	776	905	972	1034
WB4242 B-R-L	3	706	778	848	989	1064	1131
WB4542 B-R-L	3	743	818	892	1041	1118	1189
WB4842 B-R-L	3	776	853	931	1086	1167	1241
Blind Filled Solid							104

- » One-door cabinets hinge on the blind side. (ie. right blind has right-hinged door)
- » Two-door cabinets are butt doors, indicate blind left or right.
- » See wall blind corner sizing chart below.

A is the actual width of the cabinet.
B is the maximum space a cabinet may be pulled.

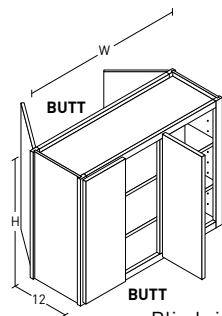
SIZING CHART	A	B	OPENING
WB24_R-L	24"	27"	9"
WB27_R-L	27"	30"	12"
WB30_R-L	30"	33"	15"
WB33_R-L	33"	36"	18"
WB36_R-L	36"	39"	21"
WB36_BR-L	36"	39"	21"
WB39_BR-L	39"	42"	24"
WB42_BR-L	42"	45"	27"
WB45_BR-L	45"	48"	30"
WB48_BR-L	48"	51"	33"

DOUBLE ENTRY WALL BLIND CORNER CABINETS



Blind right shown

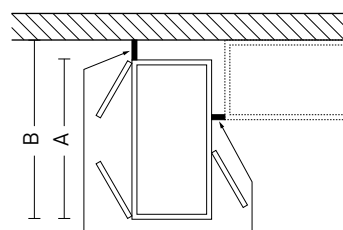
W: 24, 30, 36
H: 24, 27, 30, 33, 36, 39, 42



Blind right shown

W: 36, 42
H: 24, 27, 30, 33, 36, 39, 42

SIZING CHART	A	B	OPENING
DWB24_R-L	24"	27"	9"
DWB30_R-L	30"	33"	15"
DWB36_R-L	36"	39"	21"
DWB36_BR-L	36"	39"	21"
DWB42_BR-L	42"	45"	27"



Filler required if cabinet is pulled from the wall.

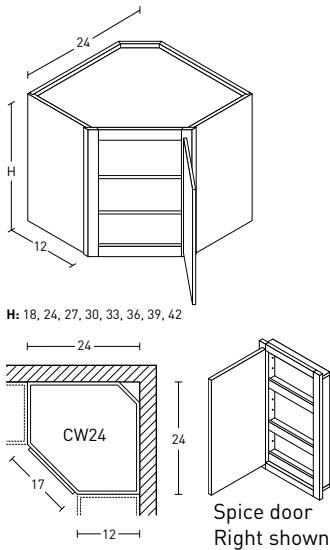
Filler required for all full overlay type door styles, and suggested for other styles.

A is the actual width of the cabinet.
B is the maximum space a cabinet may be pulled.

ITEM	SHELVES	A	B	C	D	E	F
24" HIGH							
DWB2424 R-L	1	433	477	520	607	652	693
DWB3024 R-L	1	489	538	587	685	737	783
DWB3624 R-L	1	544	599	653	762	819	871
DWB3624 BR-L	1	576	634	692	807	867	922
DWB4224 BR-L	1	674	743	810	944	1015	1079
27" HIGH							
DWB2427 R-L	1	482	531	579	675	726	772
DWB3027 R-L	1	549	604	659	769	827	879
DWB3627 R-L	1	628	691	754	880	945	1005
DWB3627 BR-L	1	661	728	794	926	955	1058
DWB4227 BR-L	1	745	820	894	1043	1121	1192
30" HIGH							
DWB2430 R-L	2	482	531	579	675	726	772
DWB3030 R-L	2	549	604	659	769	827	879
DWB3630 R-L	2	628	691	754	880	945	1005
DWB3630 BR-L	2	661	728	794	926	995	1058
DWB4230 BR-L	2	745	820	894	1043	1121	1192
33" HIGH							
DWB2433 R-L	2	579	637	695	811	872	927
DWB3033 R-L	2	663	730	796	929	998	1061
DWB3633 R-L	2	749	824	899	1049	1128	1199
DWB3633 BR-L	2	788	867	946	1104	1186	1261
DWB4233 BR-L	2	907	998	1089	1270	1365	1452
36" HIGH							
DWB2436 R-L	2	579	637	695	811	872	927
DWB3036 R-L	2	663	730	796	929	998	1061
DWB3636 R-L	2	749	824	899	1049	1128	1199
DWB3636 BR-L	2	788	867	946	1104	1186	1261
DWB4236 BR-L	2	907	998	1089	1270	1365	1452
39" HIGH							
DWB2439 R-L	2	673	741	808	943	1013	1077
DWB3039 R-L	2	778	856	934	1090	1171	1245
DWB3639 R-L	2	892	982	1071	1249	1343	1428
DWB3639 BR-L	2	931	1025	1118	1304	1401	1490
DWB4239 BR-L	2	1058	1164	1270	1482	1592	1693
42" HIGH							
DWB2442 R-L	3	673	741	808	943	1013	1077
DWB3042 R-L	3	778	856	934	1090	1171	1245
DWB3642 R-L	3	892	982	1071	1249	1343	1428
DWB3642 BR-L	3	931	1025	1118	1304	1401	1490
DWB4242 BR-L	3	1058	1164	1270	1482	1592	1693
Blind Filled Solid							104

- » One-door cabinets hinge on the blind side. (ie. right blind has right-hinged door)
- » Two-door cabinets are butt doors, indicate blind left or right.
- » See wall blind corner sizing chart.

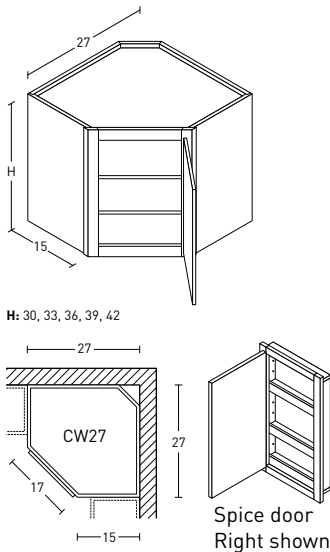
CORNER WALL CABINETS — 24" WIDE



ITEM	SHELVES	A	B	C	D	E	F
18" HIGH							
CW2418 R-L	-	386	425	463	540	580	617
CW2424 R-L	1	451	496	541	631	678	721
CW2427 R-L	1	459	506	551	643	690	734
CW2430 R-L	2	459	506	551	643	690	734
CW2430SPR-L	2	856	942	1028	1199	1289	1371
CW2433 R-L	2	568	625	682	795	855	909
CW2433SPR-L	2	1030	1134	1236	1442	1550	1648
CW2436 R-L	2	568	625	682	795	855	909
CW2436SPR-L	2	1030	1134	1236	1442	1550	1648
CW2439 R-L	2	668	735	802	935	1105	1069
CW2439SPR-L	2	1200	1320	1440	1680	1805	1920
CW2442 R-L	3	668	735	802	935	1105	1069
CW2442SPR-L	3	1200	1320	1440	1680	1805	1920

- » CW24 cabinets are standard 12" deep.
- » CW24_SP cabinets include a spice door in lieu of the standard door. The spice compartment is accessed from outside the cabinet and replaces the center panel of the door. Specify left or right door for entrance to the cabinet. Swing of the door on the spice compartment will be opposite. (ie. on a CW2430SP R, the whole door will swing right to access the cabinet and the door on the compartment will hinge left)

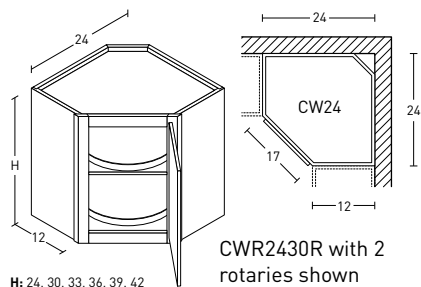
CORNER WALL CABINETS — 27" WIDE



ITEM	SHELVES	A	B	C	D	E	F
CW2730 R-L	2	624	674	724	823	867	922
CW2730SPR-L	2	1037	1128	1219	1402	1489	1583
CW2733 R-L	2	759	822	885	1011	1070	1138
CW2733SPR-L	2	1203	1310	1418	1633	1738	1848
CW2736 R-L	2	759	822	885	1011	1070	1138
CW2736SPR-L	2	1203	1310	1418	1633	1738	1848
CW2739 R-L	2	853	925	998	1143	1211	1288
CW2739SPR-L	2	1370	1495	1619	1867	1990	2116
CW2742 R-L	3	853	925	998	1143	1211	1288
CW2742SPR-L	3	1370	1495	1619	1867	1990	2116

- » CW27 cabinets are standard 15" deep.
- » All 27" wide corner cabinets come standard with finished sides.
- » CW27_SP cabinets include a spice door in lieu of the standard door. The spice compartment is accessed from outside the cabinet and replaces the center panel of the door. Specify left or right door for entrance to the cabinet. Swing of the door on the spice compartment will be opposite. (ie. on a CW2430SP R, the whole door will swing right to access the cabinet and the door on the compartment will hinge left)

CORNER WALL ROTARY CABINETS — 24" WIDE



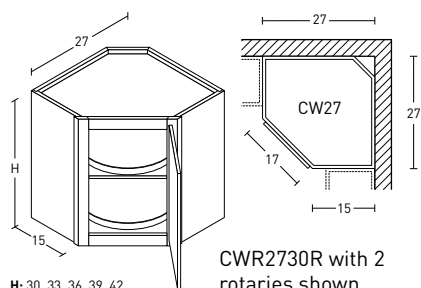
H: 24, 30, 33, 36, 39, 42

CWR2430R with 2 rotaries shown

ITEM	ROTARY	A	B	C	D	E	F
CWR2424 R-L	2	671	738	816	940	1010	1074
CWR2430 R-L	2	682	750	818	955	1025	1090
CWR2433 R-L	3	754	830	905	1056	1135	1207
CWR2436 R-L	3	754	830	905	1056	1135	1207
CWR2439 R-L	3	989	1088	1187	1384	1488	1582
CWR2442 R-L	3	989	1088	1187	1384	1488	1582

- » CWR24 cabinets are standard 12" deep.
- » Rotary for the CWR cabinet is mounted on adjustable shelf or bottom of cabinet and constructed of 20" round wood rotary trays.

CORNER WALL ROTARY CABINETS — 27" WIDE



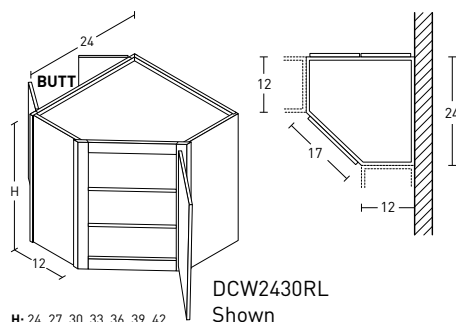
H: 30, 33, 36, 39, 42

CWR2730R with 2 rotaries shown

ITEM	ROTARY	A	B	C	D	E	F
CWR2730 R-L	2	867	942	1015	1163	1241	1312
CWR2733 R-L	3	938	1020	1100	1262	1347	1424
CWR2736 R-L	3	938	1020	1100	1262	1347	1424
CWR2739 R-L	3	1165	1269	1373	1580	1688	1787
CWR2742 R-L	3	1165	1269	1373	1580	1688	1787

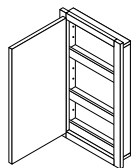
- » CWR27 cabinets are standard 15" deep.
- » All 27" wide corner cabinets come standard with finished sides.
- » Rotary for the CWR cabinet is mounted on adjustable shelf or bottom of cabinet and constructed of 20" round wood rotary trays.

DOUBLE ENTRY CORNER WALL CABINETS



H: 24, 27, 30, 33, 36, 39, 42

DCW2430RL
Shown

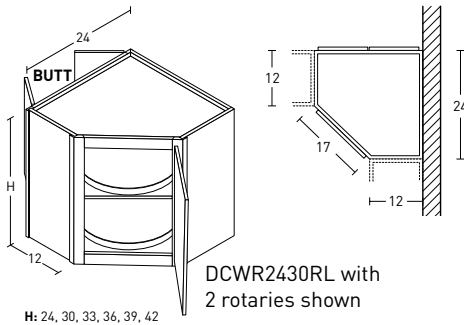


Spice door
Right shown

ITEM	SHELVES	A	B	C	D	E	F
DCW2424 R-L, R-L	1	676	744	812	947	1018	1082
DCW2427 R-L, R-L	1	688	757	826	964	1035	1101
DCW2430 R-L, R-L	2	688	757	826	964	1035	1101
DCW2430SP R-L, R-L	2	1253	1379	1504	1755	1885	2005
DCW2433 R-L, R-L	2	851	937	1022	1192	1281	1362
DCW2433SP R-L, R-L	2	1543	1698	1852	2161	2321	2469
DCW2436 R-L, R-L	2	851	937	1022	1192	1281	1362
DCW2436SP R-L, R-L	2	1543	1698	1852	2161	2321	2469
DCW2439 R-L, R-L	2	1001	1102	1202	1402	1506	1602
DCW2439SP R-L, R-L	2	1798	1978	2158	2518	2705	2877
DCW2442 R-L, R-L	3	1001	1102	1202	1402	1506	1602
DCW2442SP R-L, R-L	3	1798	1978	2158	2518	2705	2877

- » The first R-L designates hinging of the door on the diagonal side. The second R-L designates the rear frame position. (ie. a DCW2430RL is hinged right on the diagonal side and has a rear frame on the left) Rear frame position always receives butt doors.
- » DCWXXXXSP cabinets include a spice door in lieu of the standard door. The spice compartment is accessed from outside the cabinet and replaces the center panel of the door. Specify left or right door for entrance to the cabinet. Swing of the door on the spice compartment will be opposite. (ie. on a DCW2430SP R, the whole door will swing right to access the cabinet and the door on the compartment will hinge left)

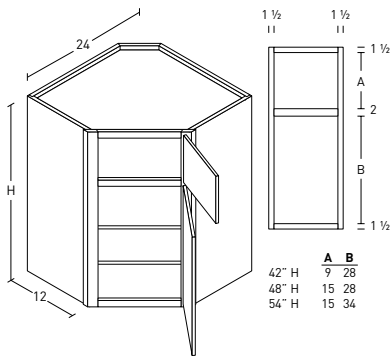
DOUBLE ENTRY CORNER WALL ROTARY CABINETS



ITEM	ROTARY	A	B	C	D	E	F
DCWR2424 R-L, R-L	2	1006	1107	1208	1409	1522	1610
DCWR2430 R-L, R-L	2	1022	1125	1227	1431	1546	1636
DCWR2433 R-L, R-L	3	1130	1243	1356	1582	1708	1808
DCWR2436 R-L, R-L	3	1130	1243	1356	1582	1708	1808
DCWR2439 R-L, R-L	3	1482	1631	1779	2075	2238	2372
DCWR2442 R-L, R-L	3	1482	1631	1779	2075	2238	2372

- » The first R-L designates hinging of the door on the diagonal side. The second R-L designates the rear frame position. (ie. a DCWR2430RL is hinged right on the diagonal side and has a rear frame on the left.) Rear frame position always receives butt doors.
- » Rotary for the DCWR cabinet is mounted on adjustable shelf or bottom of cabinet and constructed of 20" round wood rotary trays.

TRANSOM CORNER WALL CABINETS — 24" WIDE

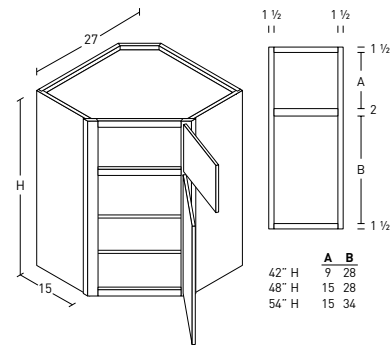


ITEM	SHELVES	A	B	C	D	E	F
TCW2442 R-L	2	682	750	818	955	1025	1090
TCW2448 R-L	2	754	830	905	1056	1135	1207
TCW2454 R-L	2	826	909	992	1157	1243	1322

- » TCW24 cabinets are standard 12" deep.
- » Cabinet comes with an intermediate rail and floor between top and bottom sections.
- » Top door on 42" high cabinets match the door on a 12" high cabinet, top doors on 48" and 54" high cabinets match the door on a 18" high cabinet.
- » Bottom Door height does not align with standard door heights.

H: 42, 48, 54

TRANSOM CORNER WALL CABINETS — 27" WIDE

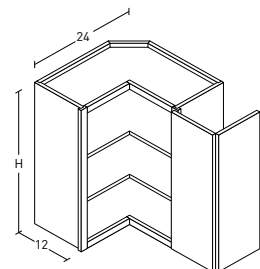


ITEM	SHELVES	A	B	C	D	E	F
TCW2742 R-L	2	867	942	1015	1163	1241	1312
TCW2748 R-L	2	938	1020	1100	1262	1347	1424
TCW2754 R-L	2	1009	1098	1186	1362	1454	1538

- » CW27 cabinets are standard 15" deep.
- » All 27" wide corner cabinets come standard with finished sides.
- » Cabinet comes with an intermediate rail and floor between top and bottom sections.
- » Top door on 42" high cabinets match the door on a 12" high cabinet, top doors on 48" and 54" high cabinets match the door on a 18" high cabinet.
- » Bottom Door height does not align with standard door heights.

H: 42, 48, 54

CORNER WALL BI-FOLD CABINETS

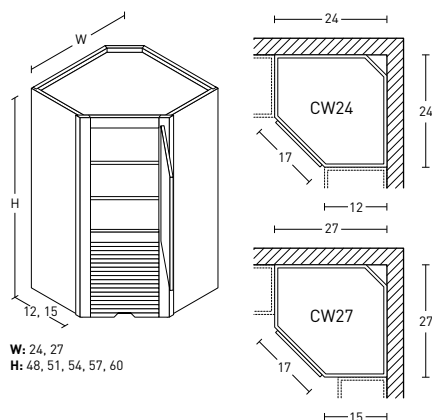


ITEM	SHELVES	A	B	C	D	E	F
CWBF2424 R-L	1	564	620	676	789	848	902
CWBF2427 R-L	1	594	654	713	832	893	950
CWBF2430 R-L	2	594	654	713	832	893	950
CWBF2433 R-L	2	707	779	849	991	1065	1132
CWBF2436 R-L	2	707	779	849	991	1065	1132
CWBF2439 R-L	2	831	914	997	1163	1250	1329
CWBF2442 R-L	3	831	914	997	1163	1250	1329

- » Doors are hinged together at the center for full access to the cabinet.
- » See modifications section for wall offset corner modification to increase or decrease leg dimension.

H: 24, 27, 30, 33, 36, 39, 42

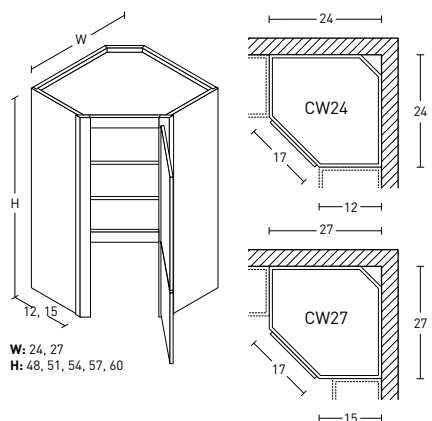
CORNER WALL SMALL APPLIANCE CENTER CABINETS



ITEM	SHELVES	A	B	C	D	E	F
24" WIDE							
CWSAC2448 R-L	2	1090	1186	1283	1475	1576	1668
CWSAC2451 R-L	2	1182	1288	1393	1604	1714	1815
CWSAC2454 R-L	2	1182	1288	1393	1604	1714	1815
CWSAC2457 R-L	2	1299	1417	1534	1768	1890	2002
CWSAC2460 R-L	3	1299	1417	1534	1768	1890	2002
27" WIDE							
CWSAC2748 R-L	2	1269	1384	1498	1726	1845	1954
CWSAC2751 R-L	2	1359	1482	1605	1852	1980	2098
CWSAC2754 R-L	2	1359	1482	1605	1852	1980	2098
CWSAC2757 R-L	2	1475	1611	1745	2014	2154	2283
CWSAC2760 R-L	3	1475	1611	1745	2014	2154	2283

- » CWSAC24 cabinets are standard 12" deep, CWSAC27 cabinets are standard 15" deep.
- » All small appliance center cabinets come standard with finished sides.
- » There is not a floor in this cabinet since the countertop serves this purpose.
- » Manufactured as one-piece cabinet.
- » For proper cabinet top alignment, we recommend that the countertop be installed first.
- » Tambour hardware has a gravity track system.
- » Cabinet height/matching upper cabinet: 48/30, 51/33, 54/36, 57/39, 60/42.

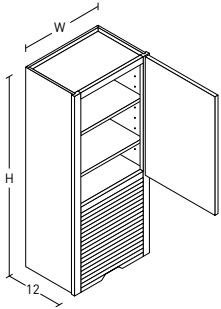
CORNER WALL SMALL APPLIANCE CENTER CABINETS WITH DOORS



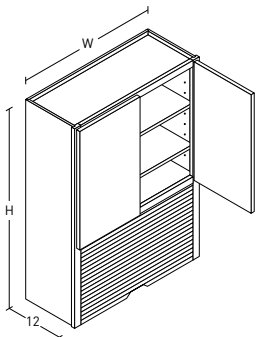
ITEM	SHELVES	A	B	C	D	E	F
24" WIDE							
CWSACD2448 R-L	2	1090	1186	1283	1475	1576	1668
CWSACD2451 R-L	2	1182	1288	1393	1604	1714	1815
CWSACD2454 R-L	2	1182	1288	1393	1604	1714	1815
CWSACD2457 R-L	2	1299	1417	1534	1768	1890	2002
CWSACD2460 R-L	3	1299	1417	1534	1768	1890	2002
27" WIDE							
CWSACD2748 R-L	2	1269	1384	1498	1726	1845	1954
CWSACD2751 R-L	2	1359	1482	1605	1852	1980	2098
CWSACD2754 R-L	2	1359	1482	1605	1852	1980	2098
CWSACD2757 R-L	2	1475	1611	1745	2014	2154	2283
CWSACD2760 R-L	3	1475	1611	1745	2014	2154	2283

- » CWSACD24 cabinets are standard 12" deep, CWSACD27 cabinets are standard 15" deep.
- » All small appliance center cabinets come standard with finished sides.
- » There is not a floor in this cabinet since the countertop serves this purpose.
- » Manufactured as one-piece cabinet.
- » For proper cabinet top alignment, we recommend that the countertop be installed first.
- » See Modifications section to add Aventos lift-up door options.
- » Cabinet height/matching upper cabinet: 48/30, 51/33, 54/36, 57/39, 60/42.

WALL SMALL APPLIANCE CENTER CABINETS



W: 18, 24
H: 48, 51, 54, 57, 60

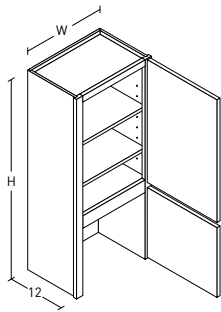


W: 24, 30, 36
H: 48, 51, 54, 57, 60

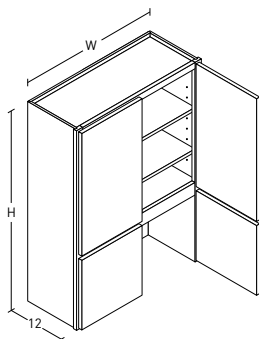
ITEM	SHELVES	A	B	C	D	E	F
48" HIGH							
WSAC1848 R-L	2	919	999	1078	1236	1319	1394
WSAC2448 R-L	2	966	1050	1133	1301	1389	1469
WSAC2448 B	2	1002	1090	1177	1352	1444	1527
WSAC3048 B	2	1085	1181	1277	1468	1569	1660
WSAC3648 B	2	1168	1272	1376	1584	1693	1792
51" HIGH							
WSAC1851 R-L	2	980	1066	1151	1322	1411	1492
WSAC2451 R-L	2	1063	1157	1250	1437	1535	1624
WSAC2451 B	2	1100	1198	1295	1489	1591	1684
WSAC3051 B	2	1187	1293	1399	1611	1722	1823
WSAC3651 B	2	1274	1389	1504	1733	1852	1962
54" HIGH							
WSAC1854 R-L	2	980	1066	1151	1322	1411	1492
WSAC2454 R-L	2	1063	1157	1250	1437	1535	1624
WSAC2454 B	2	1100	1198	1295	1489	1591	1684
WSAC3054 B	2	1187	1293	1399	1611	1722	1823
WSAC3654 B	2	1274	1389	1504	1733	1852	1962
57" HIGH							
WSAC1857 R-L	2	1044	1137	1228	1411	1507	1594
WSAC2457 R-L	2	1127	1227	1327	1527	1632	1727
WSAC2457 B	2	1169	1274	1378	1586	1695	1794
WSAC3057 B	2	1256	1369	1482	1708	1825	1933
WSAC3657 B	2	1343	1465	1586	1829	1956	2072
60" HIGH							
WSAC1860 R-L	3	1044	1137	1228	1411	1507	1594
WSAC2460 R-L	3	1127	1227	1327	1527	1632	1727
WSAC2460 B	3	1169	1274	1378	1586	1695	1794
WSAC3060 B	3	1256	1369	1482	1708	1825	1933
WSAC3660 B	3	1343	1465	1586	1829	1956	2072

- » All small appliance center cabinets come standard with finished sides.
- » There is not a floor in this cabinet since the countertop serves this purpose.
- » Manufactured as one-piece cabinet.
- » For proper cabinet top alignment, we recommend that the countertop be installed first.
- » Tambour hardware has a gravity track system.
- » Cabinet height/matching upper cabinet: 48/30, 51/33, 54/36, 57/39, 60/42.

WALL SMALL APPLIANCE CENTER CABINETS WITH DOORS



W: 18, 24
H: 48, 51, 54, 57, 60

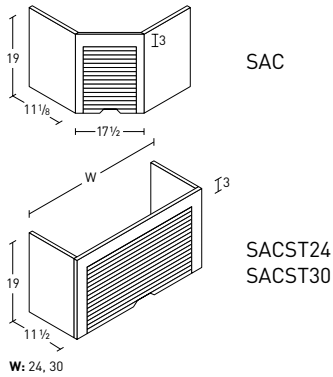


W: 24, 30, 36
H: 48, 51, 54, 57, 60

ITEM	SHELVES	A	B	C	D	E	F
48" HIGH							
WSACD1848 R-L	2	919	999	1078	1236	1319	1394
WSACD2448 R-L	2	966	1050	1133	1301	1389	1469
WSACD2448 B	2	1002	1090	1177	1352	1444	1527
WSACD3048 B	2	1085	1181	1277	1468	1569	1660
WSACD3648 B	2	1168	1272	1376	1584	1693	1792
51" HIGH							
WSACD1851 R-L	2	980	1066	1151	1322	1411	1492
WSACD2451 R-L	2	1063	1157	1250	1437	1535	1624
WSACD2451 B	2	1100	1198	1295	1489	1591	1684
WSACD3051 B	2	1187	1293	1399	1611	1722	1823
WSACD3651 B	2	1274	1389	1504	1733	1852	1962
54" HIGH							
WSACD1854 R-L	2	980	1066	1151	1322	1411	1492
WSACD2454 R-L	2	1063	1157	1250	1437	1535	1624
WSACD2454 B	2	1100	1198	1295	1489	1591	1684
WSACD3054 B	2	1187	1293	1399	1611	1722	1823
WSACD3654 B	2	1274	1389	1504	1733	1852	1962
57" HIGH							
WSACD1857 R-L	2	1044	1137	1228	1411	1507	1594
WSACD2457 R-L	2	1127	1227	1327	1527	1632	1727
WSACD2457 B	2	1169	1274	1378	1586	1695	1794
WSACD3057 B	2	1256	1369	1482	1708	1825	1933
WSACD3657 B	2	1343	1465	1586	1829	1956	2072
60" HIGH							
WSACD1860 R-L	3	1044	1137	1228	1411	4507	1594
WSACD2460 R-L	3	1127	1227	1327	1527	1632	1727
WSACD2460 B	3	1169	1274	1378	1586	1695	1794
WSACD3060 B	3	1256	1369	1482	1708	1825	1933
WSACD3660 B	3	1343	1465	1586	1829	1956	2072

- » All small appliance center cabinets come standard with finished sides.
- » There is not a floor in this cabinet since the countertop serves this purpose.
- » Manufactured as one-piece cabinet.
- » For proper cabinet top alignment, we recommend that the countertop be installed first.
- » See modifications section to add Aventos lift-up door options.
- » Cabinet height/matching upper cabinet: 48/30, 51/33, 54/36, 57/39, 60/42.

SMALL APPLIANCE CENTER

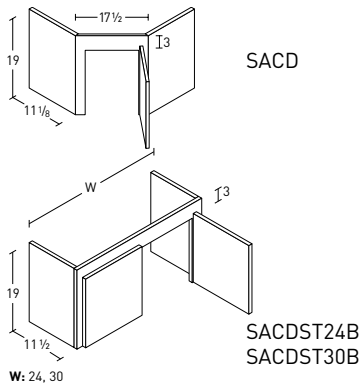


ITEM

SAC	607
SACST24	607
SACST30	689

- » All small appliance center cabinets come standard with finished sides.
- » Small appliance centers cannot be installed until after the countertop installation. The top of the frame rail of the SAC can be trimmed up to 3/4". The bottom of the frame stiles can be trimmed up to 3/4" before the automatic hold down feature (built into the door track) is lost. No more than 1 1/2" should be trimmed from the height of the SAC frame.
- » SAC is not flush with frame of cabinet above.
- » Assembly of the ends to the frame is required.
- » Finished ends are included in all styles.

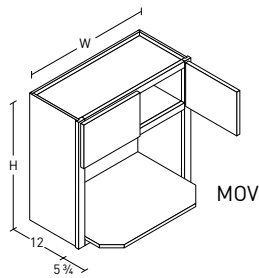
SMALL APPLIANCE CENTER WITH DOOR



ITEM	A	B	C	D	E	F
SACD L R	679	735	790	900	958	1010
SACDST24B	709	768	826	942	1003	1058
SACDST30B	817	886	954	1092	1164	1230

- » All small appliance center cabinets come standard with finished sides.
- » Small appliance centers cannot be installed until after the countertop installation. The top of the frame rail of the SACD can be trimmed up to 1 1/2".
- » SAC is not flush with frame of cabinet above.
- » Assembly of the ends to the frame is required.
- » Finished ends are included in all styles.
- » Butt doors are standard on SACDST's

MICROWAVE OVEN CABINETS — 12" DEEP

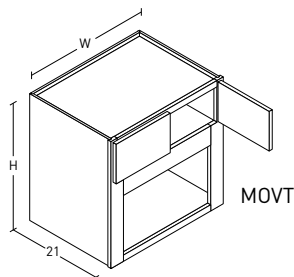


W: 27, 30
H: 30, 33, 36, 39, 42

ITEM	OPENING	TRIM	A	B	C	D	E	F
27" WIDE MOV								
MOV2730 B	24"x16 1/2"	-	806	890	967	1129	1212	1289
MOV2733 B	24"x18"	-	902	993	1083	1263	1358	1444
MOV2736 B	24"x18"	-	902	993	1083	1263	1358	1444
MOV2739 B	24"x18"	-	1010	1111	1212	1414	1520	1616
MOV2742 B	24"x18"	-	1010	1111	1212	1414	1520	1616
30" WIDE MOV								
MOV3030 B	27"x16 1/2"	-	849	934	1019	1189	1278	1359
MOV3033 B	27"x18"	-	951	1047	1142	1332	1431	1522
MOV3036 B	27"x18"	-	951	1047	1142	1332	1431	1522
MOV3039 B	27"x18"	-	1066	1173	1280	1493	1604	1706
MOV3042 B	27"x18"	-	1066	1173	1280	1493	1604	1706

- » The interior of cabinet is wood veneer finished to match the exterior of the cabinet.
- » The shelf in MOV extends 5 3/4" out from the face frame; shelf reduces height of listed opening size by 3/4".

MICROWAVE OVEN CABINETS — 21" DEEP



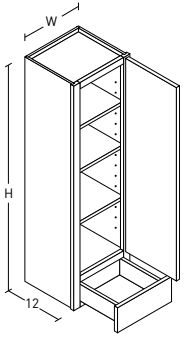
W: 27, 30
H: 30, 33, 36, 39, 42

ITEM	OPENING	TRIM	A	B	C	D	E	F
27" WIDE MOV T								
MOV T2730 -21 B	21"x15"	24"x17 1/2"	1044	1137	1228	1411	1507	1594
MOV T2733 -21 B	21"x15"	24"x17 1/2"	1153	1256	1358	1563	1670	1768
MOV T2736 -21 B	21"x15"	24"x17 1/2"	1153	1256	1358	1563	1670	1768
MOV T2739 -21 B	21"x15"	24" x17 1/2"	1276	1391	1506	1736	1855	1965
MOV T2742 -21 B	21"x15"	24"x17 1/2"	1276	1391	1506	1736	1855	1965
30" WIDE MOV T								
MOV T3030 -21 B	24"x15"	27"x17 1/2"	1094	1191	1288	1481	1582	1674
MOV T3033 -21 B	24"x15"	27"x17 1/2"	1210	1319	1427	1643	1757	1860
MOV T3036 -21 B	24"x15"	27"x17 1/2"	1210	1319	1427	1643	1757	1860
MOV T3039 -21 B	24"x15"	27" x17 1/2"	1339	1461	1582	1824	1950	2066
MOV T3042 -21 B	24"x15"	27 x17 1/2"	1339	1461	1582	1824	1950	2066
M-OCO	Custom Cutout Opening						143	

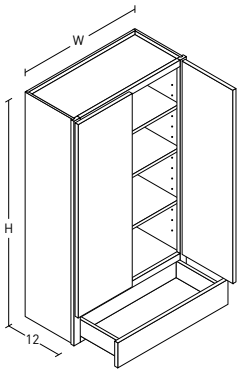
- » All 21" deep microwave cabinets come standard with finished sides.
- » The interior of cabinet is standard maple melamine. Order finished interior if needed.

ITEM	Max. Cut-Out Width	Max. Cut-Out Height
MOV T2730	24	18
MOV T27_(33-42)	24	18 1/2
MOV T3030	27	18
MOV T30_(33-42)	27	18 1/2

WALL ONE-DRAWER CABINETS



W: 15, 18, 21, 24
H: 48, 51, 54, 57, 60



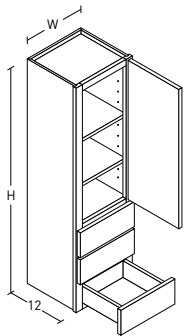
W: 24, 27, 30, 33, 36
H: 48, 51, 54, 57, 60

ITEM	SHELVES	A	B	C	D	E	F
48" HIGH							
W1D1548 R-L	2	757	815	873	988	1045	1103
W1D1848 R-L	2	804	867	929	1053	1115	1177
W1D2148 R-L	2	842	908	974	1107	1162	1228
W1D2448 R-L	2	883	954	1024	1165	1234	1304
W1D2448 B	2	927	1002	1077	1226	1413	1375
W1D2748 B	2	1002	1085	1167	1331	1413	1495
W1D3048 B	2	1038	1124	1210	1382	1468	1553
W1D3348 B	2	1084	1175	1265	1445	1537	1626
W1D3648 B	2	1126	1222	1316	1505	1601	1694
51" HIGH							
W1D1551 R-L	3	815	879	942	1068	1132	1196
W1D1851 R-L	3	865	933	1001	1138	1206	1274
W1D2151 R-L	3	905	977	1050	1195	1268	1340
W1D2451 R-L	3	952	1029	1106	1260	1337	1414
W1D2451 B	3	999	1081	1163	1327	1409	1490
W1D2751 B	3	1087	1178	1268	1449	1540	1630
W1D3051 B	3	1130	1222	1320	1509	1605	1699
W1D3351 B	3	1181	1282	1385	1582	1683	1782
W1D3651 B	3	1229	1334	1439	1648	1755	1858
54" HIGH							
W1D1554 R-L	3	815	879	942	1068	1132	1196
W1D1854 R-L	3	865	933	1001	1138	1206	1274
W1D2154 R-L	3	905	977	1050	1195	1268	1340
W1D2454 R-L	3	952	1029	1106	1260	1337	1414
W1D2454 B	3	999	1081	1163	1327	1409	1490
W1D2754 B	3	1087	1178	1268	1449	1540	1630
W1D3054 B	3	1130	1222	1320	1509	1605	1699
W1D3354 B	3	1181	1282	1385	1582	1683	1782
W1D3654 B	3	1229	1334	1439	1648	1755	1858
57" HIGH							
W1D1557 R-L	3	871	940	1009	1147	1216	1285
W1D1857 R-L	3	929	1004	1079	1228	1303	1378
W1D2157 R-L	3	975	1054	1135	1293	1373	1452
W1D2457 R-L	3	1026	1111	1196	1365	1449	1533
W1D2457 B	3	1078	1168	1258	1437	1528	1617
W1D2757 B	3	1174	1273	1373	1572	1672	1770
W1D3057 B	3	1218	1322	1423	1633	1738	1840
W1D3357 B	3	1277	1386	1496	1715	1826	1934
W1D3657 B	3	1325	1440	1554	1783	1899	2011
60" HIGH							
W1D1560 R-L	3	871	940	1009	1147	1216	1285
W1D1860 R-L	3	929	1004	1079	1228	1303	1378
W1D2160 R-L	3	975	1054	1135	1293	1373	1452
W1D2460 R-L	3	1026	1111	1196	1365	1449	1533
W1D2460 B	3	1078	1168	1258	1437	1528	1617
W1D2760 B	3	1174	1273	1373	1572	1672	1770
W1D3060 B	3	1218	1322	1423	1633	1738	1840
W1D3360 B	3	1277	1386	1496	1715	1826	1934
W1D3660 B	3	1325	1440	1554	1783	1899	2011

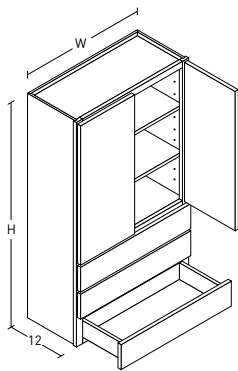
» All one-drawer cabinets come standard with finished sides.

» Wall one-drawer cabinets are manufactured with a drawer on the bottom designed to sit on the countertop. The drawer is 9" deep. The drawer opening is 5 1/2" high; door heights will not match standard door heights.

WALL THREE-DRAWER CABINETS



W: 15, 18, 21, 24
H: 48, 51, 54, 57, 60

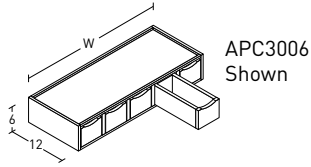


W: 24, 27, 30, 33, 36
H: 48, 51, 54, 57, 60

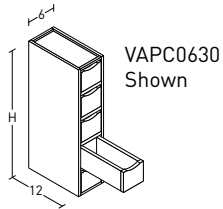
ITEM	SHELVES	A	B	C	D	E	F
48" HIGH							
W3D1548 R-L	2	1205	1297	1389	1572	1667	1755
W3D1848 R-L	2	1269	1367	1465	1662	1764	1858
W3D2148 R-L	2	1320	1424	1527	1734	1841	1940
W3D2448 R-L	2	1377	1487	1596	1814	1927	2031
W3D2448 B	2	1450	1567	1683	1916	2037	2148
W3D2748 B	2	1546	1672	1799	2050	2182	2302
W3D3048 B	2	1600	1731	1863	2126	2262	2388
W3D3348 B	2	1663	1801	1938	2214	2448	2489
W3D3648 B	2	1723	1867	2011	2297	2448	2585
51" HIGH							
W3D1551 R-L	2	1260	1358	1455	1650	1751	1844
W3D1851 R-L	2	1330	1434	1539	1747	1856	1956
W3D2151 R-L	2	1388	1498	1608	1829	1943	2048
W3D2451 R-L	2	1452	1569	1685	1918	2039	2150
W3D2451 B	2	1579	1709	1838	2096	2231	2355
W3D2751 B	2	1630	1764	1899	2167	2308	2436
W3D3051 B	2	1688	1829	1968	2249	2454	2528
W3D3351 B	2	1759	1907	2054	2348	2502	2643
W3D3651 B	2	1821	1976	2129	2435	2596	2743
54" HIGH							
W3D1554 R-L	2	1260	1358	1455	1650	1751	1844
W3D1854 R-L	2	1330	1434	1539	1747	1856	1956
W3D2154 R-L	2	1388	1498	1608	1829	1943	2048
W3D2454 R-L	2	1452	1569	1685	1918	2039	2150
W3D2454 B	2	1579	1709	1838	2096	2231	2355
W3D2754 B	2	1630	1764	1899	2167	2308	2436
W3D3054 B	2	1688	1829	1968	2249	2454	2528
W3D3354 B	2	1759	1907	2054	2348	2502	2643
W3D3654 B	2	1821	1976	2129	2435	2596	2743
57" HIGH							
W3D1557 R-L	2	1316	1420	1522	1728	1836	1934
W3D1857 R-L	2	1390	1501	1610	1831	1946	2051
W3D2157 R-L	2	1454	1571	1688	1921	2043	2155
W3D2457 R-L	2	1520	1644	1768	2014	2142	2260
W3D2457 B	2	1614	1747	1880	2145	2284	2411
W3D2757 B	2	1715	1858	2000	2286	2435	2572
W3D3057 B	2	1743	1922	2070	2367	2522	2664
W3D3357 B	2	1773	2007	2163	2475	2638	2788
W3D3657 B	2	1917	2080	2243	2569	2739	2895
60" HIGH							
W3D1560 R-L	3	1316	1420	1522	1728	1836	1934
W3D1860 R-L	3	1390	1501	1610	1831	1946	2051
W3D2160 R-L	3	1454	1571	1688	1921	2043	2155
W3D2460 R-L	3	1520	1644	1768	2014	2142	2260
W3D2460 B	3	1614	1747	1880	2145	2284	2411
W3D2760 B	3	1715	1858	2000	2286	2435	2572
W3D3060 B	3	1743	1922	2070	2367	2522	2664
W3D3360 B	3	1773	2007	2163	2475	2638	2788
W3D3660 B	3	1917	2080	2243	2569	2739	2895

- » All three-drawer cabinets come standard with finished sides.
- » Wall three-drawer cabinets are manufactured with drawers on the bottom designed to sit on the countertop. The drawers are 9" deep.
- » Cabinet height/matching upper cabinet: 48/30, 51/33, 54/36, 57/39, 60/42.

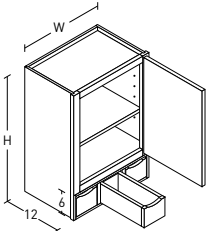
APOTHECARY CABINETS



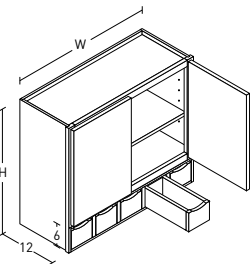
W: 18, 24, 30, 36



H: 30, 33, 36, 39, 42



W: 18, 24
H: 24, 30, 33, 36, 39, 42

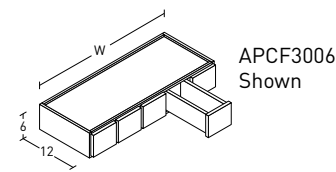


W: 24, 30, 36
H: 24, 30, 33, 36, 39, 42

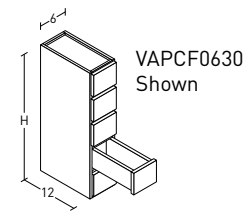
ITEM	DRAWERS	SHELVES	A	B	C	D	E	F
HORIZONTAL								
APC1806	3	-	655	655	655	655	655	655
APC2406	4	-	759	759	759	759	759	759
APC3006	5	-	864	864	864	864	864	864
APC3606	6	-	966	966	966	966	966	966
VERTICAL								
VAPC0630	5	-	864	864	864	864	864	864
VAPC0633	6	-	968	968	968	968	968	968
VAPC0636	6	-	968	968	968	968	968	968
VAPC0639	7	-	1085	1085	1085	1085	1085	1085
VAPC0642	7	-	1085	1085	1085	1085	1085	1085
24" HIGH								
WAC1824 R-L	3	-	1181	1300	1418	1654	1777	1890
WAC2424 R-L	4	-	1230	1353	1476	1723	1850	1968
WAC2424 B	4	-	1251	1377	1502	1752	1882	2002
WAC3024 B	5	-	1276	1404	1531	1786	1920	2042
WAC3624 B	6	-	1358	1495	1631	1902	2044	2174
30" HIGH								
WAC1830 R-L	3	1	1221	1343	1465	1709	1837	1954
WAC2430 R-L	4	1	1269	1394	1524	1778	1910	2031
WAC2430 B	4	1	1293	1423	1552	1811	1945	2069
WAC3030 B	5	1	1318	1451	1582	1846	1983	2109
WAC3630 B	6	1	1403	1544	1683	1964	2110	2244
33" HIGH								
WAC1833 R-L	3	1	1297	1428	1557	1817	1952	2076
WAC2433 R-L	4	1	1350	1486	1620	1890	2032	2161
WAC2433 B	4	1	1374	1512	1649	1924	2068	2199
WAC3033 B	5	1	1399	1540	1679	1959	2104	2238
WAC3633 B	6	1	1490	1639	1788	2086	2241	2384
36" HIGH								
WAC1836 R-L	3	1	1297	1428	1557	1817	1952	2076
WAC2436 R-L	4	1	1350	1486	1620	1890	2032	2161
WAC2436 B	4	1	1374	1512	1649	1924	2068	2199
WAC3036 B	5	1	1399	1540	1679	1959	2104	2238
WAC3636 B	6	1	1490	1639	1788	2086	2241	2384
39" HIGH								
WAC1839 R-L	3	2	1391	1530	1669	1947	2092	2225
WAC2439 R-L	4	2	1448	1593	1738	2028	2179	2318
WAC2439 B	4	2	1473	1621	1768	2063	2216	2357
WAC3039 B	5	2	1500	1650	1800	2101	2257	2401
WAC3639 B	6	2	1599	1759	1918	2238	2405	2558
42" HIGH								
WAC1842 R-L	3	2	1391	1530	1669	1947	2092	2225
WAC2442 R-L	4	2	1448	1593	1738	2028	2179	2318
WAC2442 B	4	2	1473	1621	1768	2063	2216	2357
WAC3042 B	5	2	1500	1650	1800	2101	2257	2401
WAC3642 B	6	2	1599	1759	1918	2238	2405	2558

- » Apothecary cabinets are manufactured as one piece. The dovetailed drawers are solid wood finished to match the exterior of the cabinet. Each drawer sits flush with the cabinet face frame and has a finger pull routing. Drawers vary in size based on width of cabinet.
- » APC and VAPC standard with finished interior and exposed surfaces.
- » When ordering without apothecary drawers, deduct \$44 per drawer.

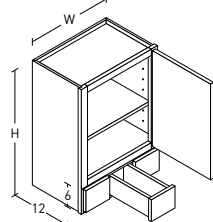
APOTHECARY CABINETS WITH FRONTS



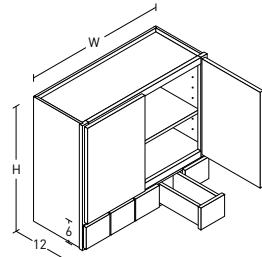
W: 18, 24, 30, 36



H: 30, 33, 36, 39, 42



W: 18, 24
H: 24, 30, 33, 36, 39, 42

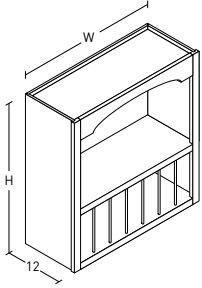


W: 24, 30, 36
H: 24, 30, 33, 36, 39, 42

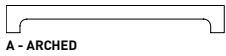
ITEM	DRAWERS	SHELVES	A	B	C	D	E	F
HORIZONTAL								
APCF1806	3	-	655	655	655	655	655	655
APCF2406	4	-	759	759	759	759	759	759
APCF3006	5	-	864	864	864	864	864	864
APCF3606	6	-	966	966	966	966	966	966
VERTICAL								
VAPCF0630	5	-	864	864	864	864	864	864
VAPCF0633	6	-	968	968	968	968	968	968
VAPCF0636	6	-	968	968	968	968	968	968
VAPCF0639	7	-	1085	1085	1085	1085	1085	1085
VAPCF0642	7	-	1085	1085	1085	1085	1085	1085
24" HIGH								
WACF1824 R-L	3	-	1181	1300	1418	1654	1777	1890
WACF2424 R-L	4	-	1230	1353	1476	1723	1850	1968
WACF2424 B	4	-	1251	1377	1502	1752	1882	2002
WACF3024 B	5	-	1276	1404	1531	1786	1920	2042
WACF3624 B	6	-	1358	1495	1631	1902	2044	2174
30" HIGH								
WACF1830 R-L	3	1	1221	1343	1465	1709	1837	1954
WACF2430 R-L	4	1	1269	1394	1524	1778	1910	2031
WACF2430 B	4	1	1293	1423	1552	1811	1945	2069
WACF3030 B	5	1	1318	1451	1582	1846	1983	2109
WACF3630 B	6	1	1403	1544	1683	1964	2110	2244
33" HIGH								
WACF1833 R-L	3	1	1297	1428	1557	1817	1952	2076
WACF2433 R-L	4	1	1350	1486	1620	1890	2032	2161
WACF2433 B	4	1	1374	1512	1649	1924	2068	2199
WACF3033 B	5	1	1399	1540	1679	1959	2104	2238
WACF3633 B	6	1	1490	1639	1788	2086	2241	2384
36" HIGH								
WACF1836 R-L	3	1	1297	1428	1557	1817	1952	2076
WACF2436 R-L	4	1	1350	1486	1620	1890	2032	2161
WACF2436 B	4	1	1374	1512	1649	1924	2068	2199
WACF3036 B	5	1	1399	1540	1679	1959	2104	2238
WACF3636 B	6	1	1490	1639	1788	2086	2241	2384
39" HIGH								
WACF1839 R-L	3	2	1391	1530	1669	1947	2092	2225
WACF2439 R-L	4	2	1448	1593	1738	2028	2179	2318
WACF2439 B	4	2	1473	1621	1768	2063	2216	2357
WACF3039 B	5	2	1500	1650	1800	2101	2257	2401
WACF3639 B	6	2	1599	1759	1918	2238	2405	2558
42" HIGH								
WACF1842 R-L	3	2	1391	1530	1669	1947	2092	2225
WACF2442 R-L	4	2	1448	1593	1738	2028	2179	2318
WACF2442 B	4	2	1473	1621	1768	2063	2216	2357
WACF3042 B	5	2	1500	1650	1800	2101	2257	2401
WACF3642 B	6	2	1599	1759	1918	2238	2405	2558

- » Apothecary cabinets with fronts have 5/8" solid wood dovetailed drawers that are finished natural. Drawers vary in size based on width of cabinet.
- » APCF and VAPCF standard with finished interior and exposed surfaces.
- » All fronts come as slab only.

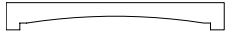
WALL PLATE RACK CABINETS WITH VALANCE



W: 18, 21, 24, 30, 36
H: 30, 33, 36, 39, 42



A - ARCHED



CA - CLASSIC ARCH



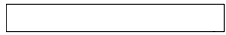
C - COLONIAL



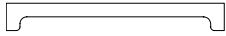
E - ELEGANT



RA - ROMAN ARCH



S - STRAIGHT



T - TRADITIONAL

ITEM

30" HIGH

WPRC1830 -A; CA; E; RA; S; T	768
WPRC2130 -A; CA; E; RA; S; T	809
WPRC2430 -A; CA; C; E; RA; S; T	849
WPRC3030 -A; CA; C; E; RA; S; T	932
WPRC3630 -A; CA; C; E; RA; S; T	1028

33" HIGH

WPRC1833 -A; CA; E; RA; S; T	819
WPRC2133 -A; CA; E; RA; S; T	863
WPRC2433 -A; CA; C; E; RA; S; T	907
WPRC3033 -A; CA; C; E; RA; S; T	996
WPRC3633 -A; CA; C; E; RA; S; T	1098

36" HIGH

WPRC1836 -A; CA; E; RA; S; T	819
WPRC2136 -A; CA; E; RA; S; T	863
WPRC2436 -A; CA; C; E; RA; S; T	907
WPRC3036 -A; CA; C; E; RA; S; T	996
WPRC3636 -A; CA; C; E; RA; S; T	1098

39" HIGH

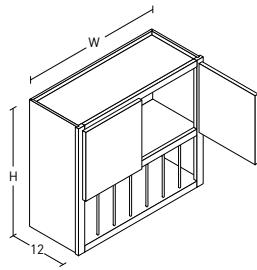
WPRC1839 -A; CA; E; RA; S; T	857
WPRC2139 -A; CA; E; RA; S; T	902
WPRC2439 -A; CA; C; E; RA; S; T	951
WPRC3039 -A; CA; C; E; RA; S; T	1043
WPRC3639 -A; CA; C; E; RA; S; T	1148

42" HIGH

WPRC1842 -A; CA; E; RA; S; T	857
WPRC2142 -A; CA; E; RA; S; T	902
WPRC2442 -A; CA; C; E; RA; S; T	951
WPRC3042 -A; CA; C; E; RA; S; T	1043
WPRC3642 -A; CA; C; E; RA; S; T	1148

- » Standard with finished interior.
- » Specify valance type when ordering. (ex. WPRC2430 -RA for Roman Arch)
- » Colonial valance not available on 18" and 21" wide cabinets.
- » The plate rack is removable for installation and cleaning. Not available in vintage.

WALL PLATE RACK CABINETS

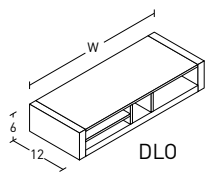


W: 18, 21, 24, 30, 36
H: 30, 33, 36, 39, 42

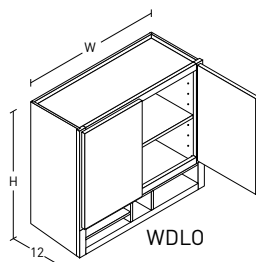
ITEM	SHELVES	A	B	C	D	E	F
30" HIGH							
WPRC1830 R-L	-	768	846	923	1076	1157	1230
WPRC2130 R-L	-	809	891	971	1133	1217	1294
WPRC2430 R-L	-	849	934	1019	1189	1277	1358
WPRC2430 B	-	890	979	1068	1246	1339	1424
WPRC3030 B	-	932	1025	1118	1305	1402	1491
WPRC3630 B	-	1028	1132	1234	1440	1547	1645
33" HIGH							
WPRC1833 R-L	-	819	902	984	1147	1233	1311
WPRC2133 R-L	-	863	950	1035	1208	1298	1380
WPRC2433 R-L	-	907	998	1089	1270	1365	1452
WPRC2433 B	-	949	1044	1139	1329	1428	1519
WPRC3033 B	-	996	1097	1196	1395	1499	1594
WPRC3633 B	-	1098	1207	1317	1536	1651	1756
36" HIGH							
WPRC1836 R-L	-	819	902	984	1147	1233	1311
WPRC2136 R-L	-	863	950	1035	1208	1298	1380
WPRC2436 R-L	-	907	998	1089	1270	1365	1452
WPRC2436 B	-	949	1044	1139	1329	1428	1519
WPRC3036 B	-	996	1097	1196	1395	1499	1594
WPRC3636 B	-	1098	1207	1317	1536	1651	1756
39" HIGH							
WPRC1839 R-L	-	857	943	1029	1201	1290	1372
WPRC2139 R-L	-	902	993	1083	1263	1357	1443
WPRC2439 R-L	-	951	1046	1141	1332	1430	1521
WPRC2439 B	-	986	1085	1184	1381	1484	1578
WPRC3039 B	-	1022	1125	1227	1431	1538	1636
WPRC3639 B	-	1148	1263	1378	1608	1728	1838
42" HIGH							
WPRC1842 R-L	1	857	943	1029	1201	1290	1372
WPRC2142 R-L	1	902	993	1083	1263	1357	1443
WPRC2442 R-L	1	951	1046	1141	1332	1430	1521
WPRC2442 B	1	986	1085	1184	1381	1484	1578
WPRC3042 B	1	1022	1125	1227	1431	1538	1636
WPRC3642 B	1	1148	1263	1378	1608	1728	1838

- » Standard with finished interior.
- » The plate rack is removable for installation and cleaning.
- » Plate rack opening is 14 1/2" high.

WALL DESK LETTER ORGANIZER CABINETS



W: 30, 36

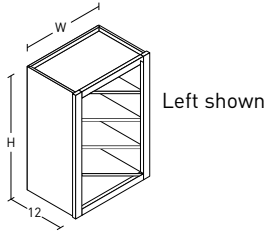


W: 30, 36
H: 24, 30

ITEM	SHELVES	A	B	C	D	E	F
DLO3006	-	361	361	361	361	361	361
DLO3606	-	390	390	390	390	390	390
WDLO3024 B	-	707	779	849	991	1065	1132
WDLO3624 B	-	787	866	944	1102	1184	1259
WDLO3030 B	1	791	871	950	1108	1191	1266
WDLO3630 B	1	873	961	1048	1223	1314	1397

- » DLO not available in vintage.
- » Letter organizer section standard with finished interior.
- » Heights shown are overall heights.

WINE RACK DIAGONAL

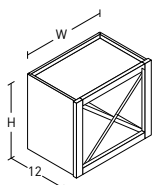


W: 15, 18, 21, 24
H: 24, 27, 30, 33, 36, 39, 42

ITEM	BOTTLES	
24" HIGH		
WRD1524 R-L	10	598
WRD1824 R-L	11	610
WRD2124 R-L	14	624
WRD2424 R-L	17	645
27" HIGH		
WRD1527 R-L	10	634
WRD1827 R-L	11	646
WRD2127 R-L	14	665
WRD2427 R-L	17	674
30" HIGH		
WRD1530 R-L	13	634
WRD1830 R-L	14	646
WRD2130 R-L	19	665
WRD2430 R-L	23	674
33" HIGH		
WRD1533 R-L	13	677
WRD1833 R-L	14	693
WRD2133 R-L	19	712
WRD2433 R-L	23	735
36" HIGH		
WRD1536 R-L	16	677
WRD1836 R-L	17	693
WRD2136 R-L	23	712
WRD2436 R-L	28	735
39" HIGH		
WRD1539 R-L	16	718
WRD1839 R-L	17	741
WRD2139 R-L	23	761
WRD2439 R-L	28	787
42" HIGH		
WRD1542 R-L	20	718
WRD1842 R-L	21	741
WRD2142 R-L	27	761
WRD2442 R-L	33	787

- » Standard with finished interior. Not available in vintage.
- » Specify right or left (left is pictured). Bottle capacity is approximate.
- » Any size modifications will require a detail drawing.

WINE RACK "X"

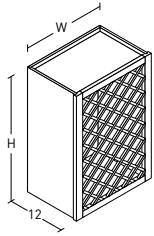


W = H

ITEM		
WRX1818		477
WRX2121		516
WRX2424		565
WRX2727		621
WRX3030		689
WRX3333		772
WRX3636		873
WRX3939		994
WRX4242		1143

- » Interior and exterior ends, back, floor and top are 1/2" finished veneer, will match exterior.
- » Not available in vintage.
- » Any size modifications will require a detail drawing.

WINE RACK



W: 18, 21, 24
H: 30, 33, 36, 39, 42

ITEM

30" HIGH

WR1830	646
WR2130	660
WR2430	678

33" HIGH

WR1833	692
WR2133	707
WR2433	726

36" HIGH

WR1836	692
WR2136	707
WR2436	726

39" HIGH

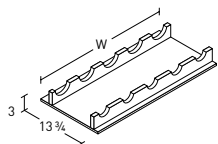
WR1839	736
WR2139	753
WR2439	773

42" HIGH

WR1842	736
WR2142	753
WR2442	773

- » There are approximately 4 bottle openings per square foot.
- » Standard with finished interior.
- » Not available with integrated decorative end.
- » Bottle capacity is approximate.

WINE SHELF



W: 28 1/2, 34 1/2

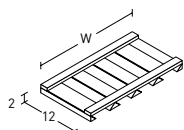
ITEM

BOTTLES

WS30 (28 1/2")	5	283
WS36 (34 1/2")	6	301

- » Depth may be trimmed to fit 12" cabinets.

WINE GLASS HOLDERS



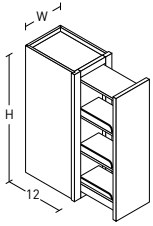
W: 16, 19, 22, 28, 34

ITEM

WGH16	(18" Cabinet)	271
WGH19	(21" Cabinet)	271
WGH22	(24" Cabinet)	271
WGH28	(30" Cabinet)	301
WGH34	(36" Cabinet)	338

- » Sent loose. Designed to fit under wall cabinet recessed floor.

WALL PULL-OUT CABINETS

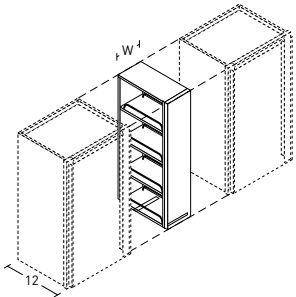


W: 09, 12
H: 30, 33, 36, 39, 42

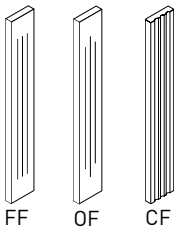
ITEM	A	B	C	D	E	F
WP0930	560	617	673	785	844	897
WP1230	607	668	729	850	913	971
WP0933	609	670	731	853	916	974
WP1233	648	714	779	908	976	1038
WP0936	609	670	731	853	916	974
WP1236	648	714	779	908	976	1038
WP0939	655	721	786	916	986	1048
WP1239	704	775	845	986	1060	1127
WP0942	655	721	786	916	986	1048
WP1242	704	775	845	986	1060	1127

- » Wall pantry cabinets include a three-tier roll-out attached to a door which pulls out to make trays accessible.
- » 9" wide cabinet not available in mitered door styles.
- » 9" wide doors in all door styles will have 2 1/4" stiles and standard rails.
- » 9" wide doors in all door styles will be square design.

WALL SPICE FILLERS



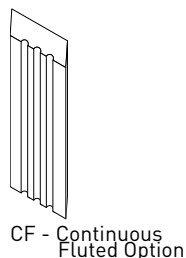
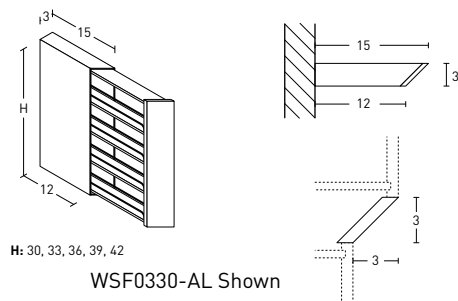
W: 3, 6



ITEM	TIERS	
3" WIDE		
WSF0330	4 Tier	325
WSF0333	4 Tier	343
WSF0336	5 Tier	343
WSF0339	5 Tier	362
WSF0342	6 Tier	362
6" WIDE		
WSF0630	4 Tier	435
WSF0633	4 Tier	453
WSF0636	5 Tier	453
WSF0639	5 Tier	471
WSF0642	6 Tier	471
OPTIONAL DECORATIVE FLUTING		
M-AF-FF	Fluted Filler	83
M-AF-OF	Offset Filler	83
M-AF-CF	Continuous Filler	83

- » Includes a 2-7/8" wide filler on the 3" unit, 5-7/8" wide filler on the 6" unit.
- » Wall spice fillers come with a standard filler (SF) that sits flush with the frame of installed adjacent cabinets.
- » Fluting may be added to the filler, please note that the fluted filler will remain flush with the frame of installed adjacent cabinets.
- » It is recommended that a filler overlay is ordered to apply to the standard filler. This application will help in the continuity of doors, fronts and frames.
- » Wall spice fillers include a tiered pull-out shelving system with chrome rails, attached to a filler.
- » To achieve a finished look when using a wall spice filler on the end of a run, a wall end panel is recommended.
- » Build-out from adjacent cabinet sides required to install wall spice fillers. Alternatively, adjacent cabinets with finished ends can be used.
- » Not available in vintage or rustic.

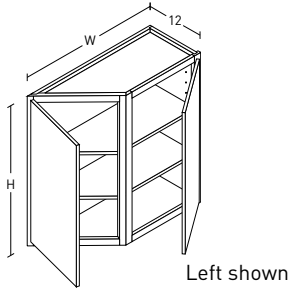
WALL ANGLED SPICE FILLERS



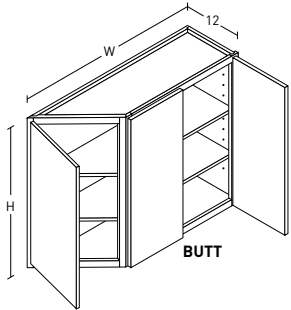
ITEM	TIERS		
30" HIGH			
WSF0330 -AR	4 Tiers	(Standard Filler -Angle Right)	667
WSF0330 -AL	4 Tiers	(Standard Filler -Angle Left)	667
WSF0330 -CFAR	4 Tiers	(Continuous Fluted -Angle Right)	707
WSF0330 -CFAL	4 Tiers	(Continuous Fluted -Angle Left)	707
33" HIGH			
WSF0333 -AR	4 Tiers		792
WSF0333 -AL	4 Tiers		792
WSF0333 -CFAR	4 Tiers		832
WSF0333 -CFAL	4 Tiers		832
36" HIGH			
WSF0336 -AR	5 Tiers		792
WSF0336 -AL	5 Tiers		792
WSF0336 -CFAR	5 Tiers		832
WSF0336 -CFAL	5 Tiers		832
39" HIGH			
WSF0339 -AR	5 Tiers		816
WSF0339 -AL	5 Tiers		816
WSF0339 -CFAR	5 Tiers		856
WSF0339 -CFAL	5 Tiers		856
42" HIGH			
WSF0342 -AR	6 Tiers		816
WSF0342 -AL	6 Tiers		816
WSF0342 -CFAR	6 Tiers		856
WSF0342 -CFAL	6 Tiers		856

- » Wall angled spice fillers come with a standard filler or with a continuous fluted filler.
- » Wall spice fillers include a tiered pull-out shelving system with chrome rails, attached to a filler.
- » It is recommended that a filler overlay is ordered to apply to the standard filler. This application will help in the continuity of doors, fronts and frames.
- » To achieve a finished look when using a wall spice filler on the end of a run, a wall end panel is recommended.
- » Not available in vintage or rustic.

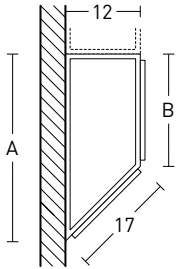
WALL END ANGLE CABINETS — 24", 27", 30", 33"



W: 24, 27, 30, 33, 36
H: 24, 27, 30, 33, 36, 39, 42



W: 36, 39, 42, 45, 48
H: 24, 27, 30, 33, 36, 39, 42



A	B
24	12
27	15
30	18
33	21
36	24
39	27
42	30
45	33
48	36

ITEM	SHELVES	A	B	C	D	E	F
24" HIGH							
WEA2424 R-L	1	523	576	628	733	787	837
WEA2724 R-L	1	551	607	662	772	830	882
WEA3024 R-L	1	584	643	701	818	879	935
WEA3324 R-L	1	616	678	729	863	927	986
WEA3624 R-L	1	650	715	780	910	978	1040
WEA3624 B-R-L	1	682	751	819	955	1027	1092
WEA3924 B-R-L	1	720	792	864	1008	1083	1152
WEA4224 B-R-L	1	760	836	912	1064	1144	1216
WEA4524 B-R-L	1	802	883	963	1123	1207	1284
WEA4824 B-R-L	1	847	932	1017	1186	1275	1356

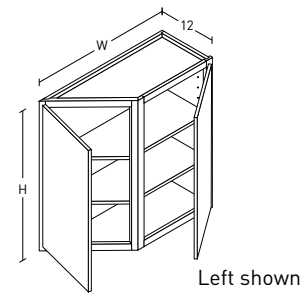
27" HIGH							
WEA2427 R-L	1	625	688	750	875	940	1000
WEA2727 R-L	1	659	725	791	923	991	1054
WEA3027 R-L	1	692	762	831	969	1042	1108
WEA3327 R-L	1	725	797	870	1015	1091	1160
WEA3627 R-L	1	764	841	917	1070	1150	1223
WEA3627 B-R-L	1	807	888	969	1130	1215	1292
WEA3927 B-R-L	1	852	938	1023	1193	1283	1364
WEA4227 B-R-L	1	899	989	1079	1259	1353	1439
WEA4527 B-R-L	1	949	1044	1139	1329	1428	1519
WEA4827 B-R-L	1	1002	1103	1203	1403	1508	1604

30" HIGH							
WEA2430 R-L	2	625	688	750	875	940	1000
WEA2730 R-L	2	659	725	791	923	991	1054
WEA3030 R-L	2	692	762	831	969	1042	1108
WEA3330 R-L	2	725	797	870	1015	1091	1160
WEA3630 R-L	2	764	841	917	1070	1150	1223
WEA3630 B-R-L	2	807	888	969	1130	1215	1292
WEA3930 B-R-L	2	852	938	1023	1193	1283	1364
WEA4230 B-R-L	2	899	989	1079	1259	1353	1439
WEA4530 B-R-L	2	949	1044	1139	1329	1428	1519
WEA4830 B-R-L	2	1002	1103	1203	1403	1508	1604

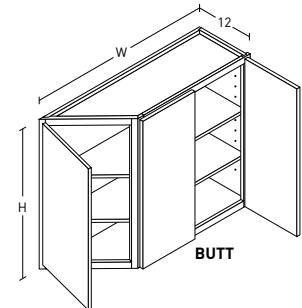
33" HIGH							
WEA2433 R-L	2	761	838	914	1066	1145	1218
WEA2733 R-L	2	795	875	955	1114	1197	1273
WEA3033 R-L	2	830	913	996	1162	1249	1328
WEA3333 R-L	2	865	952	1038	1210	1301	1383
WEA3633 R-L	2	913	1005	1096	1279	1374	1461
WEA3633 B-R-L	2	945	1040	1134	1323	1422	1512
WEA3933 B-R-L	2	997	1097	1197	1396	1501	1596
WEA4233 B-R-L	2	1052	1158	1263	1473	1583	1684
WEA4533 B-R-L	2	1110	1221	1332	1554	1670	1776
WEA4833 B-R-L	2	1172	1290	1407	1641	1764	1876

- » L-R designates the location of angled frame.
- » Doors hinged to outside rail.
- » B indicates butt doors on standard wall cabinet section.

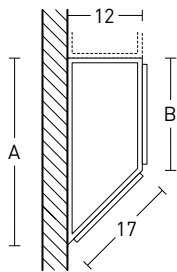
WALL END ANGLE CABINETS — 36", 39", 42"



W: 24, 27, 30, 33, 36
H: 24, 27, 30, 33, 36, 39, 42



W: 36, 39, 42, 45, 48
H: 24, 27, 30, 33, 36, 39, 42

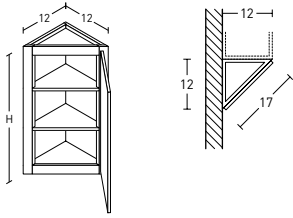


A	B
24	12
27	15
30	18
33	21
36	24
39	27
42	30
45	33
48	36

ITEM	SHELVES	A	B	C	D	E	F
36" HIGH							
WEA2436 R-L	2	761	838	914	1066	1145	1218
WEA2736 R-L	2	795	875	955	1114	1197	1273
WEA3036 R-L	2	830	913	996	1162	1249	1328
WEA3336 R-L	2	865	952	1038	1210	1301	1383
WEA3636 R-L	2	913	1005	1096	1279	1374	1461
WEA3636 BR-L	2	945	1040	1134	1323	1422	1512
WEA3936 BR-L	2	997	1097	1197	1396	1501	1596
WEA4236 BR-L	2	1052	1158	1263	1473	1583	1684
WEA4536 BR-L	2	1110	1221	1332	1554	1670	1776
WEA4836 BR-L	2	1172	1290	1407	1641	1764	1876
39" HIGH							
WEA2439 R-L	2	923	1016	1108	1293	1389	1477
WEA2739 R-L	2	970	1068	1165	1358	1460	1553
WEA3039 R-L	2	1004	1105	1205	1406	1511	1607
WEA3339 R-L	2	1039	1143	1247	1455	1564	1663
WEA3639 R-L	2	1091	1201	1310	1528	1642	1746
WEA3639 BR-L	2	1127	1240	1353	1578	1696	1804
WEA3939 BR-L	2	1184	1303	1421	1658	1782	1895
WEA4239 BR-L	2	1244	1369	1493	1742	1872	1991
WEA4539 BR-L	2	1307	1438	1569	1830	1967	2092
WEA4839 BR-L	2	1373	1511	1648	1923	2066	2197
42" HIGH							
WEA2442 R-L	3	923	1016	1108	1293	1389	1477
WEA2742 R-L	3	970	1068	1165	1358	1460	1553
WEA3042 R-L	3	1004	1105	1205	1406	1511	1607
WEA3342 R-L	3	1039	1143	1247	1455	1564	1663
WEA3642 R-L	3	1091	1201	1310	1528	1642	1746
WEA3642 BR-L	3	1127	1240	1353	1578	1696	1804
WEA3942 BR-L	3	1184	1303	1421	1658	1782	1895
WEA4242 BR-L	3	1244	1369	1493	1742	1872	1991
WEA4542 BR-L	3	1307	1438	1569	1830	1967	2092
WEA4842 BR-L	3	1373	1511	1648	1923	2066	2197

- » L-R designates the location of angled frame.
- » Doors hinged to outside rail.
- » B indicates butt doors on standard wall cabinet section.

WALL END DIAGONAL CABINETS

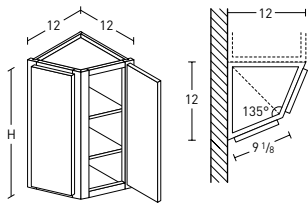


H: 24, 27, 30, 33, 36, 39, 42

ITEM	SHELVES	A	B	C	D	E	F
WED1224 R-L	1	331	364	397	463	498	529
WED1227 R-L	1	352	388	423	493	531	564
WED1230 R-L	2	352	388	423	493	531	564
WED1233 R-L	2	403	443	484	565	607	645
WED1236 R-L	2	403	443	484	565	607	645
WED1239 R-L	2	463	510	556	648	698	742
WED1242 R-L	3	463	510	556	648	698	742

» Not available with finished ends.

WALL END CORNER CABINETS

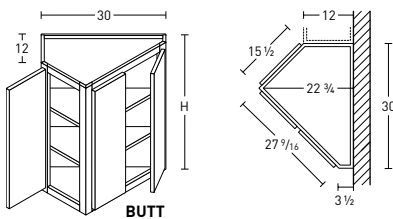


H: 30, 33, 36, 39, 42

ITEM	SHELVES	A	B	C	D	E	F
WEC1230	2	421	463	506	589	633	673
WEC1233	2	484	532	581	677	729	775
WEC1236	2	484	532	581	677	729	775
WEC1239	2	559	615	671	783	842	895
WEC1242	3	559	615	671	783	842	895

- » Doors hinged to outside rails.
- » Angles match BEC24.
- » WEC has 9" wide doors which are not available in mitered door styles.
- » 9" wide doors in all door styles will have 2 1/4" stiles and standard rails.
- » 9" wide doors in all door styles will be square design.
- » Not available with finished ends.

PENINSULA WALL CABINETS

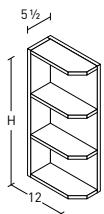


H: 30, 33, 36, 39, 42 Right Shown

ITEM	SHELVES	A	B	C	D	E	F
PEN3030 R-L	2	916	1009	1100	1283	1379	1466
PEN3033 R-L	2	1103	1214	1323	1544	1659	1764
PEN3036 R-L	2	1103	1214	1323	1544	1659	1764
PEN3039 R-L	2	1278	1406	1533	1789	1923	2045
PEN3042 R-L	3	1278	1406	1533	1789	1923	2045

- » L-R designates the location of 2 door side (right is pictured).
- » Butt door standard on the 2 door side.
- » The 3 1/2" end comes finished as standard.

WALL WHAT NOT SHELVES — 45°

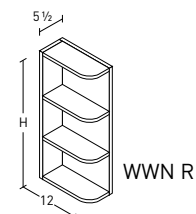


H: 30, 33, 36, 39, 42

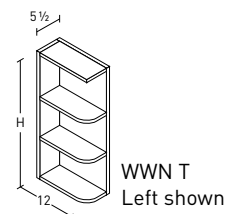
ITEM		
WWN1230 45	Reversible	307
WWN1233 45	Reversible	331
WWN1236 45	Reversible	331
WWN1239 45	Reversible	396
WWN1242 45	Reversible	396

- » WWN 45° shelves are constructed of 3/4" solid finished wood. The shelves are attached to a 3/4" banded veneer side and back panel. Corners are angled at 45° for ease in molding installation.

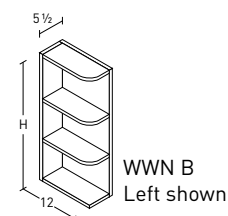
WALL WHAT NOT RADIUS SHELVES



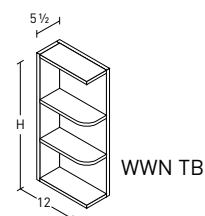
H: 30, 33, 36, 39, 42



H: 30, 33, 36, 39, 42



H: 30, 33, 36, 39, 42



H: 30, 33, 36, 39, 42

ITEM

ALL RADIUS

WWN1230 R	Reversible	307
WWN1233 R	Reversible	341
WWN1236 R	Reversible	341
WWN1239 R	Reversible	396
WWN1242 R	Reversible	396

SQUARE TOP

WWN1230 TR-L		307
WWN1233 TR-L		341
WWN1236 TR-L		341
WWN1239 TR-L		396
WWN1242 TR-L		396

SQUARE BOTTOM

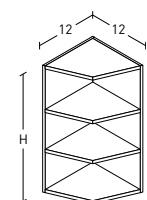
WWN1230 BR-L		307
WWN1233 BR-L		341
WWN1236 BR-L		341
WWN1239 BR-L		364
WWN1242 BR-L		396

SQUARE TOP AND BOTTOM

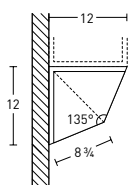
WWN1230 TB	Reversible	307
WWN1233 TB	Reversible	341
WWN1236 TB	Reversible	341
WWN1239 TB	Reversible	396
WWN1242 TB	Reversible	396

- » WWN radius shelves are constructed of 3/4" solid finished wood. The shelves are attached to a 3/4" banded veneer side and back panel. Not available with finished ends.
- » WWN T - molding can be applied to top shelf.
- » WWN B - molding can be applied to bottom shelf.
- » WWN TB - molding can be applied to top and bottom shelf.

WALL WHAT NOT 135° SHELVES



H: 30, 33, 36, 39, 42

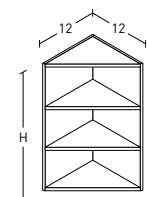


ITEM

WWN1230 135	Reversible	307
WWN1233 135	Reversible	331
WWN1236 135	Reversible	331
WWN1239 135	Reversible	396
WWN1242 135	Reversible	396

- » WWN 135° shelves are constructed of 3/4" solid finished wood. The shelves are attached to a 3/4" banded veneer side and back panel. Not available with finished ends.

WALL WHAT NOT DIAGONAL SHELVES



H: 30, 33, 36, 39, 42

ITEM

WWND1230	Reversible	307
WWND1233	Reversible	331
WWND1233	Reversible	331
WWND1239	Reversible	396
WWND1242	Reversible	396

- » WWND shelves are constructed of 3/4" solid finished wood. The shelves are attached to a 3/4" banded veneer side and back panel. Not available with finished ends.

PREFERRED BY KARMAN

BASE CABINETS

SECTION 7

Index by Category and Name

STANDARD

Bar Cabinets with Full Height Doors	7-4
Base Bread Board Cabinets	7-4
Base Cabinets	7-1
Base Cabinets 12" Deep with Full Height Doors	7-3
Base Cabinets with Full Height Doors	7-2
Base Cabinets with Full Roll-Out Trays	7-5
Double Entry Base Cabinets	7-5

SINK & APPLIANCE

Base Dishwasher Cabinets	7-11
Base Microwave Cabinets	7-11
Base Oven Cabinets	7-11
Base Scooped Cabinets	7-9
Corner Sink Base Cabinets	7-8
Corner Sink Fronts	7-8
Farmhouse Range Base Cabinets	7-10
Farmhouse Range Base Cabinets with Drawers	7-10
Farmhouse Sink Base Cabinets	7-6
Range Base Cabinets	7-9
Recessed Corner Sink Base Cabinets	7-8
Reverse Range Base Cabinets	7-9
Sink Base Cabinets	7-6
Sink Base with Clipped Corners Cabinets	7-7
Sink Blind Base Cabinets	7-7
Sink Fronts	7-7

DRAWER

Bake Center Cabinets	7-14
Bake Center Cabinets with Roll-Out Tray	7-14
Base Four-Drawer Bread Board Cabinets	7-12
Base Four-Drawer Cabinets	7-12
Base Six Shallow Drawer Cabinets	7-14
Base Three-Drawer Bread Board Cabinets	7-12
Base Three-Drawer Cabinets	7-12
Base Three-Drawer Reverse Cabinets	7-13
Base Two-Drawer Cabinets	7-13
Base Two-Drawer on Top Cabinets	7-14
Base with Two Deep Drawers and Two Shallow Drawers Cabinets	7-13

CORNER

Base Blind Corner Cabinets	7-15
Base Blind Corner Cabinets with Full Height Doors	7-15
Base Blind Corner Cabinets with Full Height Doors & Rotary Trays	7-15
Base Blind Corner Cabinets with LeMans Unit	7-16
Base Blind Corner Cabinets with Metal Slide-Out Rack	7-16
Base Blind Corner Cabinets with Rotary Trays	7-15
Base Blind Corner Cabinets with Swing-Out Rack	7-16
Base Peninsula Corner Cabinets	7-17
Corner Base 3-Drawer Cabinets	7-19
Corner Easy Reach 90° Cabinets	7-18
Corner Easy Reach 90° Super Susan Cabinets	7-18
Corner Easy Reach Diagonal Cabinets	7-19
Corner Easy Reach Diagonal Super Susan Cabinets	7-19
Corner Lazy Susan Cabinets	7-18
Double Entry Base Blind Corner Cabinets	7-17

SPECIALTY

Base Angled Spice Fillers	7-21
Base Pantry Super Cabinet	7-20
Base Pull-Out Cabinets	7-21
Base Spice Fillers	7-21
Base Tray Cabinets	7-20
Base Waste Basket Cabinets	7-22
Base Window Seat Cabinets	7-20
Base Wine Rack	7-22
Base Wine Rack Diagonal	7-23
Base Wine Rack "X"	7-23
Base Wine Roll-Out Tray Cabinets	7-23
Drawer Units	7-22

END OF THE RUN

Base Angled End Cabinets	7-25
Base Angled End Combination Cabinets	7-25
Base Angled Triple Face Cabinets	7-26
Base End Corner Cabinets	7-24
Base End Corner Combination Cabinets	7-24
Base End Diagonal Cabinets	7-24
Base End Diagonal Combination Cabinets	7-24
Base Island What Not Shelves	7-26
Base What Not 135° Shelves	7-26
Base What Not Diagonal Shelves	7-26
Base What Not Shelves	7-26

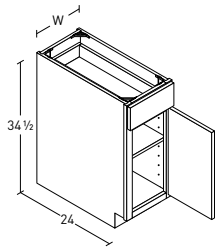
PREFERRED BY KARMAN

BASE CABINETS

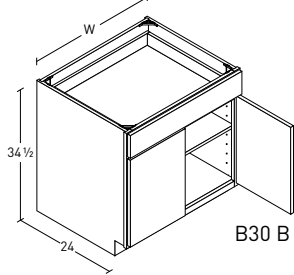
Index by Nomenclature

3-B_-12 FHD----- (Base) ----- 7-3	BB_FHD ----- (Base Blind) - - - 7-15	BWRTD_ ----- (Base Wine) ----- 7-23
3-BAR_ FHD----- (Base) ----- 7-4	BBLU_ ----- (Base Blind) - - - 7-16	BWRX_ ----- (Base Wine) ----- 7-23
3-B_----- (Base) ----- 7-1	BBR_ ----- (Base Blind) - - - 7-15	BWSD_ - - - - (Window Seat) ----- 7-20
3-B_ FHD----- (Base) ----- 7-2	BBR_ FHD ----- (Base Blind) - - - 7-15	BWS_ - - - - (Window Seat) ----- 7-20
4-B_-12 FHD----- (Base) ----- 7-3	BBSMO_ ----- (Base Blind) - - - 7-16	CB3D_ - - - - (Base Corner Drawer) -- 7-19
4-BAR_ FHD----- (Base) ----- 7-4	BBSO_ ----- (Base Blind) - - - 7-16	CER36SS ----- (Base Corner) ----- 7-18
4-B_----- (Base) ----- 7-1	BC5D_ ----- (Bake Center) - - - 7-14	CER_ ----- (Base Corner) ----- 7-18
4-B_ FHD----- (Base) ----- 7-2	BC5D_BB ----- (Bake Center) - - - 7-14	CERD36SS ----- (Base Corner) ----- 7-19
B_-02----- (Base) ----- 7-1	BC_RT ----- (Bake Center) - - - 7-14	CERD_ ----- (Base Corner) ----- 7-19
B2D2S_ ----- (Base Drawer) - - - 7-13	BC_RTBB ----- (Bake Center) - - - 7-14	CSB_ ----- (Corner Sink) ----- 7-8
B2D_ ----- (Base 2-Drawer) - - - 7-13	BDC_ ----- (DW Base) ----- 7-11	CSF_ ----- (Sink Front) ----- 7-8
B2DT_ ----- (Base 2-Drawer) - - - 7-14	BEC_ ----- (Base End Corner) --- 7-24	DBB_ ----- (D.E. Base Blind) - - - 7-17
B_2RT - - - - (Base Roll-Out) - - - 7-5	BED_ ----- (Base End Diagonal) -- 7-24	DBB_ FHD ----- (D.E. Base Blind) - - - 7-17
B3D_ ----- (Base 3-Drawer) - - - 7-12	B_ FHD ----- (Base) ----- 7-2	DB_ - - - - (Double Entry Base) --- 7-5
B3D_BB ----- (Base 3-Drawer) - - - 7-12	BIC_ ----- (Base Peninsula) ---- 7-17	DB_ FHD - - - (Double Entry Base) --- 7-5
B3DR_ ----- (Base 3-Drawer) - - - 7-13	BIWN_ - - - - (Island What Not) --- 7-26	DCB3D_ - - - (Base Corner Drawer) -- 7-19
B4D_ ----- (Base 4-Drawer) - - - 7-12	BMOV_ ----- (MW Base) ----- 7-11	FHRBD_ ----- (Range Base) - - - 7-10
B4D_BB ----- (Base 4-Drawer) - - - 7-12	BOC_ - - - - (Base Oven) ----- 7-11	FHRB_ ----- (Range Base) - - - 7-10
B_4RT - - - - (Base Roll-Out) - - - 7-5	BP_ - - - - (Base Pull-Out) - - - 7-21	FHSB_ ----- (Sink Base) ----- 7-6
B6SD_ ----- (Base Drawer) - - - 7-14	BSC_ ----- (Base Scooped) ----- 7-9	KDU_ ----- (Drawer Unit) ----- 7-22
B_-12 FHD----- (Base) ----- 7-3	BSF_ - - - - (Base Spice) - - - 7-21	LS36 ----- (Lazy Susan) - - - 7-18
BAE_ ----- (Base Angled End) - - 7-25	BSP36 ----- (Base Pantry) ----- 7-20	LSD36 ----- (Lazy Susan) - - - 7-18
BAR_ FHD ----- (Base) ----- 7-4	BT_ ----- (Base Tray) ----- 7-20	RB_ ----- (Range Base) ----- 7-9
BAT_ ----- (Base Angled End) - - 7-26	BW15 ----- (Base Waste) ----- 7-22	RCSB_ ----- (Corner Sink) ----- 7-8
B_BAE12 ----- (Base Angled End) - - 7-25	BWD_ ----- (Base Waste) ----- 7-22	RRB_ ----- (Range Base) ----- 7-9
B_BAE12F ----- (Base Angled End) - - 7-25	BWN_ ----- (Base What Not) - - 7-26	SBB_ ----- (Sink Blind Base) ----- 7-7
B_----- (Base) ----- 7-1	BWND_ ----- (Base What Not) - - 7-26	SBCC_ ----- (Sink Base) ----- 7-7
BB_ ----- (Base Blind) - - - 7-15	BWR_ ----- (Base Wine) ----- 7-22	SB_ ----- (Sink Base) ----- 7-6
B_BEC24 ----- (Base End Corner) - - 7-24	BWRD_ ----- (Base Wine) ----- 7-23	SF_ ----- (Sink Front) ----- 7-7
B_BED24 ----- (Base End Diagonal) - 7-24	BWRT_ ----- (Base Wine) ----- 7-23	VDU_ ----- (Drawer Unit) ----- 7-22

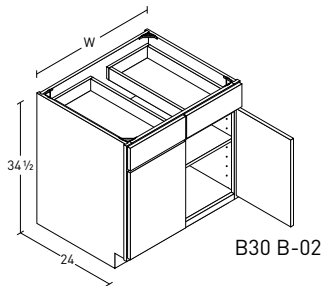
BASE CABINETS



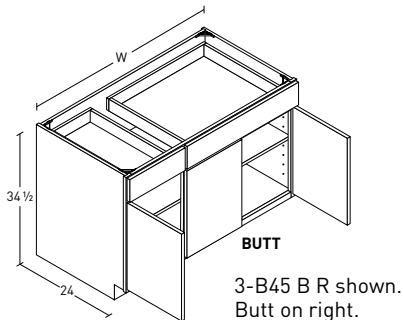
W: 09, 12, 15, 18, 21, 24



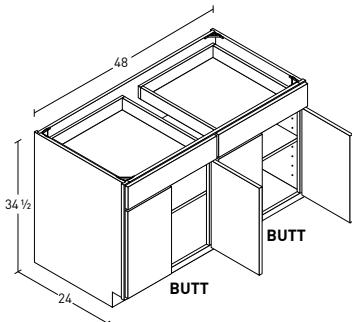
W: 24, 27, 30, 33, 36, 39, 42, 45, 48



W: 24, 27, 30, 33, 36, 39, 42, 45, 48



W: 42, 45, 48



ITEM	A	B	C	D	E	F
------	---	---	---	---	---	---

1-DOOR CABINETS

B09 R-L	441	480	518	596	636	673
B12 R-L	441	480	518	596	636	673
B15 R-L	467	509	550	633	677	716
B18 R-L	494	539	583	671	717	759
B21 R-L	519	566	612	706	755	799
B24 R-L	533	581	629	725	774	820

2-DOOR CABINETS

B24 B	591	651	710	828	893	946
B27 B	648	708	767	886	948	1005
B30 B	651	711	771	890	953	1010
B33 B	670	732	795	918	982	1041
B36 B	700	766	830	959	1026	1088
B39 B	742	811	879	1017	1089	1155
B42 B	774	846	919	1063	1137	1206
B45 B	800	875	950	1099	1177	1248
B48 B	823	900	977	1131	1211	1284

2-DOOR, 2-DRAWER WIDE CABINETS

B24 B-02	753	813	872	990	1048	1108
B27 B-02	810	870	929	1048	1104	1167
B30 B-02	813	873	933	1052	1109	1172
B33 B-02	832	894	957	1080	1138	1203
B36 B-02	862	928	992	1121	1182	1250
B39 B-02	904	973	1041	1179	1245	1317
B42 B-02	936	1008	1081	1225	1293	1368
B45 B-02	962	1037	1112	1261	1332	1410
B48 B-02	985	1062	1139	1293	1366	1446

3-DOOR CABINETS

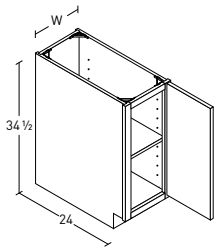
3-B42 BR-L	1066	1162	1258	1450	1550	1642
3-B45 BR-L	1092	1191	1290	1487	1590	1684
3-B48 BR-L	1125	1227	1329	1533	1640	1737

4-DOOR CABINET

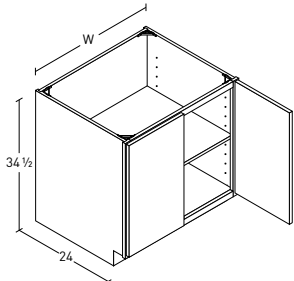
4-B48 B	1301	1421	1540	1779	1904	2018
---------	------	------	------	------	------	------

- » Includes one full -depth adjustable shelf.
- » 2 -Door, 2 -Drawer Wide cabinets receive 2 drawers that will have a butt appearance.
- » On 3 -Door cabinets R -L indicates position of butt door section, other door will be hinged opposite. Butt section has 1 full drawer above. Doors will be equal in size.
- » On 4 -Door cabinet each butt door section receives a full drawer above.
- » 9" wide cabinet not available in mitered door styles.
- » 9" wide doors in all door styles will have 2 1/4" stiles and standard rails.
- » 9" wide doors in all door styles will be square design.

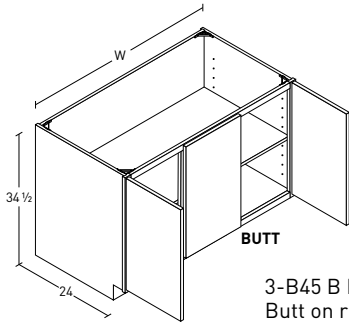
BASE CABINETS WITH FULL HEIGHT DOORS



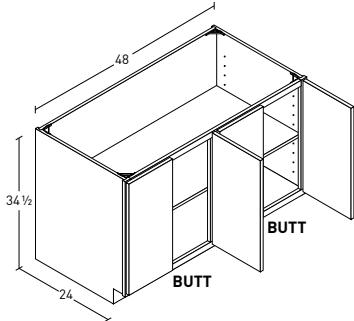
W: 09, 12, 15, 18, 21, 24



W: 24, 27, 30, 33, 36, 39, 42, 45, 48



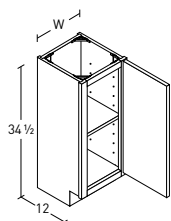
W: 42, 45, 48



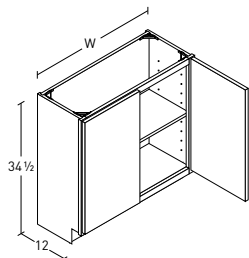
ITEM	A	B	C	D	E	F
1-DOOR CABINETS						
B09 R-L FHD	345	380	414	484	519	552
B12 R-L FHD	345	380	414	484	519	552
B15 R-L FHD	374	412	450	524	564	599
B18 R-L FHD	399	439	479	558	600	638
B21 R-L FHD	425	467	510	595	639	679
B24 R-L FHD	438	483	526	614	659	701
2-DOOR CABINETS						
B24 B FHD	476	524	572	667	717	762
B27 B FHD	514	566	617	720	773	822
B30 B FHD	535	588	642	749	804	855
B33 B FHD	552	608	663	774	831	883
B36 B FHD	565	621	677	790	849	903
B39 B FHD	605	666	726	847	910	968
B42 B FHD	639	703	767	895	962	1023
B45 B FHD	662	728	794	927	996	1059
B48 B FHD	684	752	820	957	1028	1093
3-DOOR CABINETS						
3-B42 BR-L FHD	924	1017	1109	1294	1391	1479
3-B45 BR-L FHD	947	1042	1137	1326	1426	1516
3-B48 BR-L FHD	969	1066	1163	1357	1458	1551
4-DOOR CABINET						
4-B48 B FHD	1038	1142	1246	1454	1562	1661

- » Includes one full -depth adjustable shelf.
- » On 3 -Door cabinets R - L indicates position of butt door section, other door will be hinged opposite. Doors will be equal in size.
- » 9" wide cabinet not available in mitered door styles.
- » 9" wide doors in all door styles will have 2 1/4" stiles and standard rails.
- » 9" wide doors in all door styles will be square design.

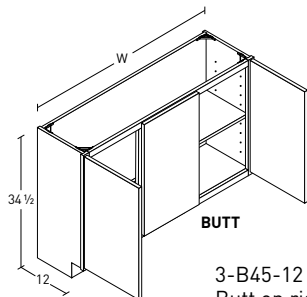
BASE CABINETS 12" DEEP WITH FULL HEIGHT DOORS



W: 09, 12, 15, 18, 21, 24

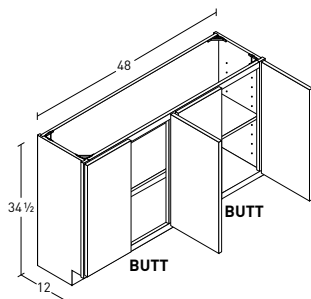


W: 24, 27, 30, 33, 36, 39, 42, 45, 48



W: 42, 45, 48

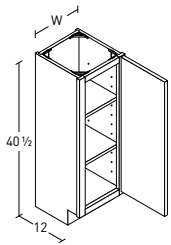
3-B45-12 B R FHD shown.
Butt on right.



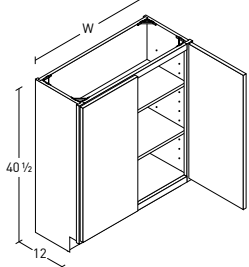
ITEM	A	B	C	D	E	F
1-DOOR CABINETS						
B09 -12 R -L FHD	345	380	414	484	519	552
B12 -12 R -L FHD	345	380	414	484	519	552
B15 -12 R -L FHD	374	412	450	524	564	599
B18 -12 R -L FHD	399	439	479	558	600	638
B21 -12 R -L FHD	425	467	510	595	639	679
B24 -12 R -L FHD	438	483	526	614	659	701
2-DOOR CABINETS						
B24 -12 B FHD	476	524	572	667	717	762
B27 -12 B FHD	514	566	617	720	773	822
B30 -12 B FHD	535	588	642	749	804	855
B33 -12 B FHD	552	608	663	774	831	883
B36 -12 B FHD	565	621	677	790	849	903
B39 -12 B FHD	605	666	726	847	910	968
B42 -12 B FHD	639	703	767	895	962	1023
B45 -12 B FHD	662	728	794	927	996	1059
B48 -12 B FHD	684	752	820	957	1028	1093
3-DOOR CABINETS						
3-B42-12 B R-L FHD	924	1017	1109	1294	1391	1479
3-B45-12 B R-L FHD	947	1042	1137	1326	1426	1516
3-B48-12 B R-L FHD	969	1066	1163	1357	1458	1551
4-DOOR CABINET						
4-B48-12 B FHD	1038	1142	1246	1454	1562	1661

- » Includes one full -depth adjustable shelf.
- » On 3 -Door cabinets R -L indicates position of butt door section, other door will be hinged opposite. Doors will be equal in size.
- » 9" wide cabinet not available in mitered door styles.
- » 9" wide doors in all door styles will have 2 1/4" stiles and standard rails.
- » 9" wide doors in all door styles will be square design.

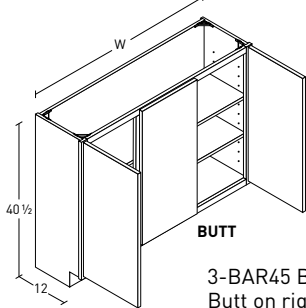
BAR CABINETS WITH FULL HEIGHT DOORS



W: 09, 12, 15, 18, 21, 24

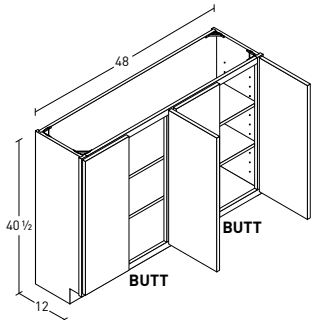


W: 24, 27, 30, 33, 36, 39, 42, 45, 48



3-BAR45 B R FHD shown.
Butt on right.

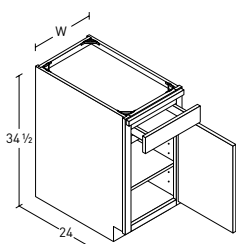
W: 42, 45, 48



ITEM	A	B	C	D	E	F
1-DOOR CABINETS						
BAR09 R-L FHD	380	418	456	532	572	608
BAR12 R-L FHD	380	418	456	532	572	608
BAR15 R-L FHD	412	454	495	577	621	660
BAR18 R-L FHD	439	483	527	615	661	703
BAR21 R-L FHD	468	515	562	656	705	749
BAR24 R-L FHD	482	531	579	675	726	772
2-DOOR CABINETS						
BAR24 B FHD	524	577	629	734	789	839
BAR27 B FHD	566	623	680	793	852	906
BAR30 B FHD	589	648	707	825	887	943
BAR33 B FHD	608	669	730	852	915	973
BAR36 B FHD	622	685	747	871	937	996
BAR39 B FHD	666	733	800	933	1003	1066
BAR42 B FHD	703	774	844	985	1058	1125
BAR45 B FHD	729	802	875	1021	1097	1167
BAR48 B FHD	753	829	904	1055	1133	1205
3-DOOR CABINETS						
3-BAR42 BR-L FHD	1017	1119	1221	1424	1531	1628
3-BAR45 BR-L FHD	1042	1147	1251	1459	1568	1668
3-BAR48 BR-L FHD	1066	1173	1280	1493	1604	1706
4-DOOR CABINET						
4-BAR48 B FHD	1142	1257	1371	1599	1719	1828

- » Standard at 40 1/2" high and 12" deep.
- » On 3-Door cabinets R-L indicates position of butt door section, other door will be hinged opposite. Doors will be equal in size.
- » Includes two full-depth adjustable shelves.
- » 9" wide cabinet not available in mitered door styles.
- » 9" wide doors in all door styles will have 2 1/4" stiles and standard rails.
- » 9" wide doors in all door styles will be square design.

BASE BREAD BOARD CABINETS

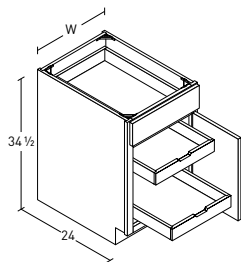


W: 15, 18, 21, 24

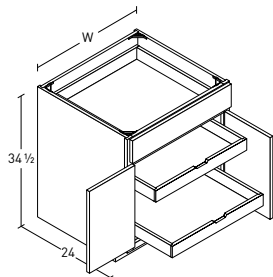
ITEM	A	B	C	D	E	F
B15BB R-L	583	637	690	796	852	902
B18BB R-L	610	666	722	834	892	945
B21BB R-L	659	720	780	901	964	1022
B24BB R-L	668	730	791	915	979	1038
B24BB B	726	794	861	996	1066	1130

- » Includes one full-depth adjustable shelf.
- » Bread boards are constructed of solid maple. End cap of bread board matches the cabinet wood Species.
- » 5-piece drawer fronts will be slab.

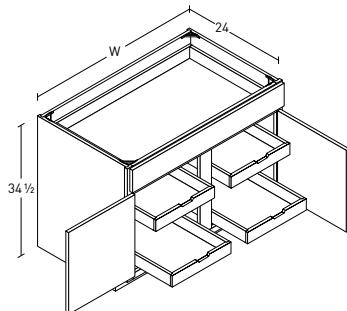
BASE CABINETS WITH FULL ROLL-OUT TRAYS



W: 12, 15, 18, 21, 24



W: 24, 27, 30, 33, 36, 39, 42, 45, 48

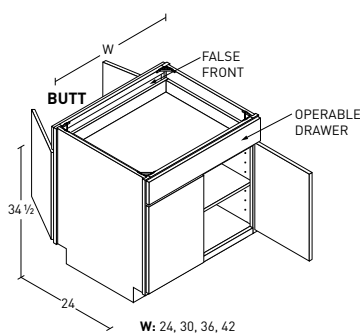


W: 30, 33, 36, 39, 42, 45, 48

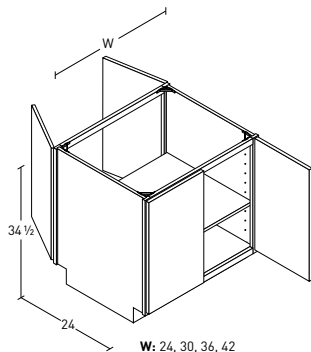
ITEM	A	B	C	D	E	F
1-DOOR CABINETS WITH 2 ROLL-OUT TRAYS						
B12 R-L 2RT	760	799	837	915	952	992
B15 R-L 2RT	786	828	869	952	993	1035
B18 R-L 2RT	813	858	902	990	1033	1078
B21 R-L 2RT	838	885	931	1025	1071	1118
B24 R-L 2RT	852	900	948	1044	1090	1139
2-DOOR CABINETS WITH 2 ROLL-OUT TRAYS						
B24 B 2RT	992	1052	1111	1229	1291	1347
B27 B 2RT	1049	1109	1168	1287	1346	1406
B30 B 2RT	1052	1112	1172	1291	1351	1411
B33 B 2RT	1071	1133	1196	1319	1380	1442
B36 B 2RT	1101	1167	1231	1360	1424	1489
B39 B 2RT	1166	1235	1303	1441	1510	1579
B42 B 2RT	1198	1270	1343	1487	1558	1630
B45 B 2RT	1224	1299	1374	1523	1598	1672
B48 B 2RT	1247	1324	1401	1555	1631	1708
2-DOOR CABINETS WITH 4 ROLL-OUT TRAYS						
B30 B 4RT	1288	1348	1408	1527	1587	1647
B33 B 4RT	1307	1369	1432	1555	1616	1678
B36 B 4RT	1337	1403	1467	1596	1660	1725
B39 B 4RT	1379	1448	1516	1654	1723	1792
B42 B 4RT	1411	1483	1556	1700	1771	1843
B45 B 4RT	1437	1512	1587	1736	1811	1885
B48 B 4RT	1460	1537	1614	1768	1844	1921

- » Full width roll-out trays for base cabinets are adjustable.
- » 2-door cabinets with 4 roll-out trays come with a center stile, the doors will have butt appearance.

DOUBLE ENTRY BASE CABINETS



W: 24, 30, 36, 42

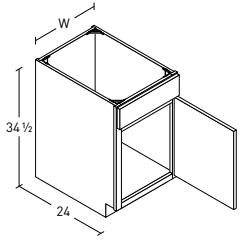


W: 24, 30, 36, 42

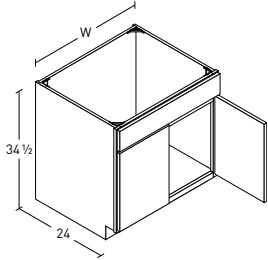
ITEM	A	B	C	D	E	F
DOORS AND DRAWERS						
DB24 B	903	988	1073	1243	1332	1413
DB30 B	982	1075	1168	1353	1451	1540
DB36 B	1063	1164	1264	1466	1572	1668
DB42 B	1142	1252	1361	1578	1692	1796
FULL HEIGHT DOORS						
DB24 B FHD	750	825	900	1050	1128	1200
DB30 B FHD	816	898	980	1143	1228	1306
DB36 B FHD	883	972	1060	1237	1329	1413
DB42 B FHD	948	1043	1138	1328	1426	1517

- » Includes one full-depth adjustable shelf.
- » Side with operable drawer dictates face when ordering finished ends.

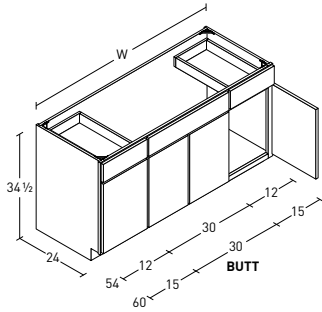
SINK BASE CABINETS



W: 18, 21, 24



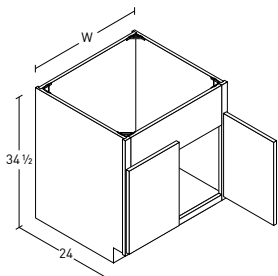
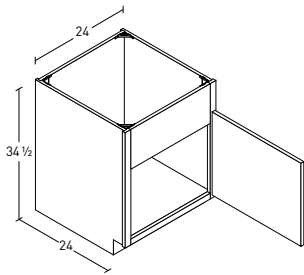
W: 24, 27, 30, 33, 36, 39, 42, 45, 48



ITEM	A	B	C	D	E	F	
SB18 R-L	353	390	425	495	533	566	
SB21 R-L	371	408	446	520	559	594	
SB24 R-L	391	430	469	547	589	626	
SB24 B	432	476	519	605	651	692	
SB27 B	473	521	569	663	713	758	
SB30 B	498	549	599	698	750	797	
SB33 B	520	573	625	728	784	833	
SB36 B	526	579	632	737	792	842	
SB39 B	569	626	683	796	856	910	
SB42 B	597	657	717	836	898	955	
SB45 B	614	676	737	861	925	983	
SB48 B	639	703	767	895	962	1023	
SB54 B	893	972	1050	1208	1290	1365	
SB60 B	938	1021	1104	1271	1357	1436	
A-TOT	Tip-Out Tray						212

- » Built with a full back.
- » Maximum sink bowl width is 1 1/2" less than the total width on cabinets 18" - 48" wide.
- » Maximum sink bowl width is 3 1/2" on cabinets 54" - 60" wide.

FARMHOUSE SINK BASE CABINETS

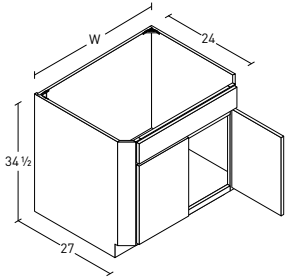


W: 24, 27, 30, 33, 36, 39, 42, 45, 48

ITEM	A	B	C	D	E	F
FHSB24 R-L	477	524	572	667	717	762
FHSB24 B	509	560	611	713	767	815
FHSB27 B	540	595	648	756	813	864
FHSB30 B	557	613	669	781	839	892
FHSB33 B	563	619	675	788	846	900
FHSB36 B	568	625	682	795	854	908
FHSB39 B	610	671	732	854	919	977
FHSB42 B	637	701	764	892	958	1019
FHSB45 B	657	723	788	920	988	1051
FHSB48 B	678	747	814	950	1020	1085

- » Built with a full back.
- » Maximum trimmability is 10 1/2" down from the top.

SINK BASE WITH CLIPPED CORNERS CABINETS



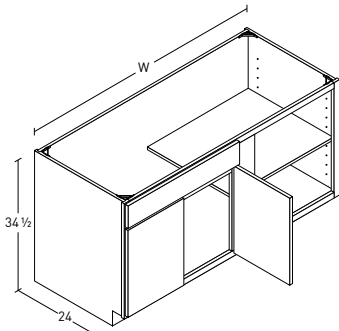
W: 30, 33, 36, 39, 42, 45, 48

ITEM	A	B	C	D	E	F
SBCC30B	1071	1122	1172	1271	1323	1370
SBCC33B	1093	1146	1198	1301	1357	1406
SBCC36B	1099	1152	1205	1310	1365	1415
SBCC39B	1142	1199	1256	1369	1429	1483
SBCC42B	1170	1230	1290	1409	1471	1528
SBCC45B	1187	1249	1310	1434	1498	1556
SBCC48B	1212	1276	1340	1468	1535	1596

A-TOT	Tip-Out Tray	F
		212

- » Built with a full back.
- » Standard with 3" clipped corners on both sides. Clipped corners reduce face of cabinet by 6".
- » Standard as 27" deep over all with 24" deep sides.
- » Maximum sink bowl width is 1 1/2" less than the total width on cabinets 18" - 48" wide.
- » See Mods and Accessories section to apply flutes to clipped corner.

SINK BLIND BASE CABINETS

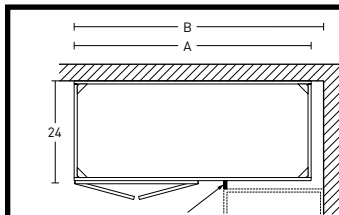


W: 54, 57, 60, 63

ITEM	A	B	C	D	E	F
SBB54 BR-L	857	943	1029	1200	1290	1372
SBB57 BR-L	886	975	1064	1241	1333	1418
SBB60 BR-L	915	1008	1099	1282	1378	1465
SBB63 BR-L	945	1041	1135	1324	1423	1513

M-BFS	Blind Filled Solid	F
		181
A-TOT	Tip-Out Tray	F
		212

- » Includes full-depth adjustable shelf on the blind side only.
- » Sink blind base cabinets are built with a full back.
- » SBB_BR-L FHD receives butt doors, indicate blind left or right.
- » See base blind corner sizing chart below.

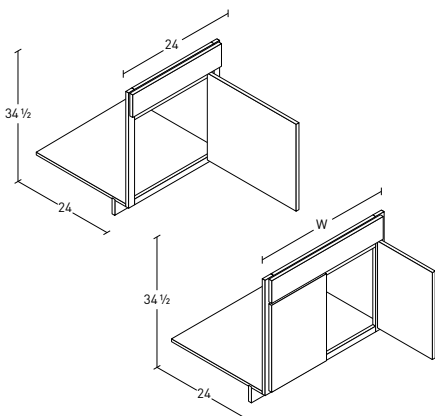


Filler required for all full overlay type door styles, and suggested for other styles.

A is the actual width of the cabinet.
B is the maximum space a cabinet may be pulled.

SIZING CHART	A	B	OPENING
SBB54 BR-L	54"	57"	27"
SBB57 BR-L	57"	60"	30"
SBB60 BR-L	60"	63"	33"
SBB63 BR-L	63"	66"	36"

SINK FRONTS



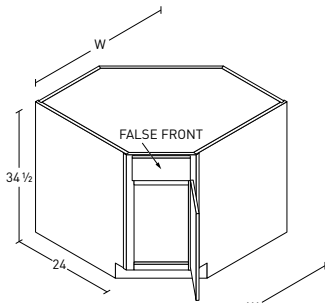
W: 24, 27, 30, 33, 36, 39, 42, 45, 48

ITEM	A	B	C	D	E	F
SF24 R-L	255	281	306	357	384	408
SF24 B	278	306	334	390	419	445
SF27 B	305	336	366	427	459	488
SF30 B	335	369	402	469	504	536
SF33 B	369	406	443	517	556	591
SF36 B	406	447	488	569	611	650
SF39 B	447	492	537	626	674	716
SF42 B	491	541	590	688	739	786
SF45 B	537	591	645	752	809	860
SF48 B	590	649	708	826	888	944

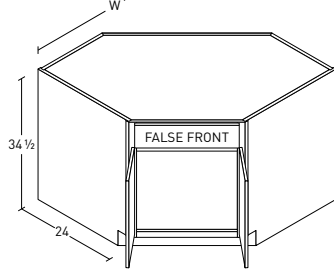
A-TOT	Tip-Out Tray	F
		212

- » Assembly of front to floor required in the field.
- » All sink fronts built with 1 1/2" stiles.

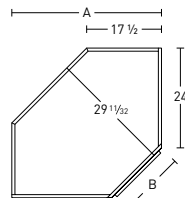
CORNER SINK BASE CABINETS



W: 36, 39, 42



W: 42, 45, 48

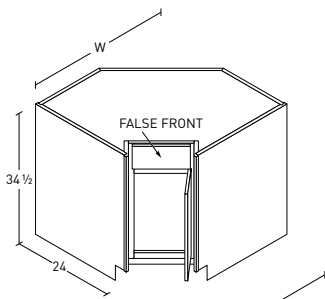


A	B
36	17
39	21 3/8
42	25 7/8
45	29 1/8
48	33 1/8

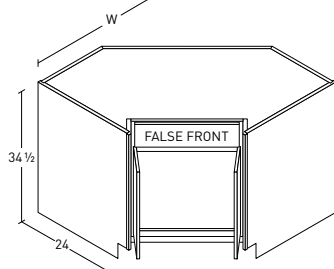
ITEM	A	B	C	D	E	F
CSB36 R-L	1049	1154	1259	1469	1574	1679
CSB39 R-L	1154	1270	1385	1616	1731	1847
CSB42 R-L	1270	1397	1524	1778	1905	2032
CSB42 B	1397	1537	1677	1956	2096	2236
CSB45 B	1537	1691	1845	2152	2306	2460
CSB48 B	1691	1861	2030	2368	2537	2706
A-TOT	Tip-Out Tray					212

» Built with full top which must be cut in field for sink installation.

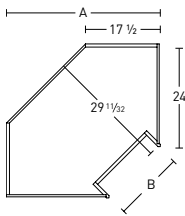
RECESSED CORNER SINK BASE CABINETS



W: 36, 39, 42



W: 42, 45, 48

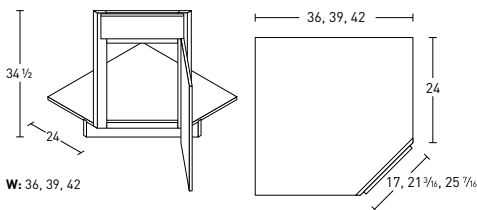


A	B
36	16 1/4
39	20 7/8
42	24 1/8
45	28 1/8
48	33 1/8

ITEM	A	B	C	D	E	F
RCSB36 R-L	1311	1442	1573	1835	1966	2098
RCSB39 R-L	1442	1586	1730	2019	2163	2307
RCSB42 R-L	1560	1716	1872	2184	2340	2496
RCSB42 B	1586	1745	1903	2220	2379	2538
RCSB45 B	1744	1918	2093	2442	2616	2790
RCSB48 B	1918	2110	2302	2685	2877	3069
A-TOT	Tip-Out Tray					212

» Built with full top which must be cut in field for sink installation.

CORNER SINK FRONTS



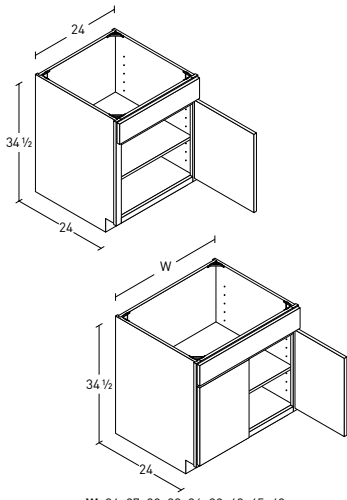
W: 36, 39, 42

ITEM	A	B	C	D	E	F
CSF3636 R-L	352	388	423	493	531	564
CSF3939 R-L	382	421	459	536	576	612
CSF4242 R-L	413	455	496	579	623	662
CSF4242 B	434	478	521	608	654	695
A-TOT	Tip-Out Tray					212

» Assembly of front to floor required in the field.

» Not trimmable.

RANGE BASE CABINETS

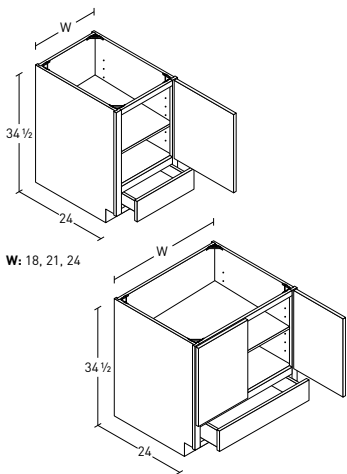


W: 24, 27, 30, 33, 36, 39, 42, 45, 48

ITEM	A	B	C	D	E	F
RB24 R-L	435	479	522	609	655	696
RB24 B	482	531	579	675	726	772
RB27 B	521	574	626	730	784	834
RB30 B	543	598	652	760	817	869
RB33 B	568	625	682	795	854	908
RB36 B	593	653	712	830	893	949
RB39 B	610	671	732	854	919	977
RB42 B	637	701	764	892	958	1019
RB45 B	659	725	791	923	991	1054
RB48 B	682	750	818	955	1025	1090

» Includes a full back and one full-depth adjustable shelf.

REVERSE RANGE BASE CABINETS



W: 18, 21, 24

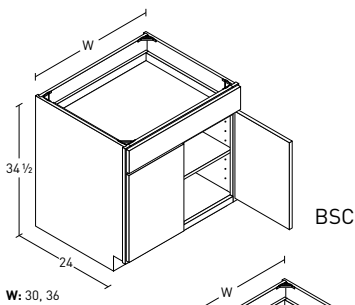
W: 24, 27, 30, 33, 36, 39, 42, 45, 48

ITEM	A	B	C	D	E	F
RRB18 R-L	616	661	705	793	832	881
RRB21 R-L	641	688	735	828	869	921
RRB24 R-L	655	703	751	847	890	943
RRB24 B	717	772	826	934	984	1043
RRB27 B	770	830	889	1008	1063	1127
RRB30 B	773	833	893	1013	1068	1132
RRB33 B	792	854	916	1039	1097	1163
RRB36 B	822	887	952	1081	1142	1211
RRB39 B	864	933	1002	1140	1205	1278
RRB42 B	896	969	1041	1185	1253	1329
RRB45 B	922	997	1072	1221	1292	1371
RRB48 B	945	1022	1099	1253	1326	1407

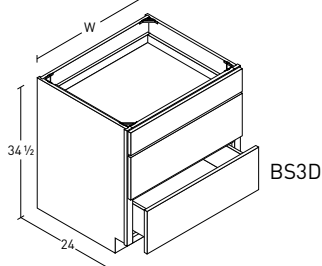
» Includes a full back. Single drawer is located beneath doors.

» There is a floor between the door(s) and drawer of the cabinet and a floor below the drawer.

BASE SCOOPED CABINETS



W: 30, 36

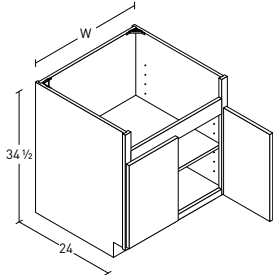
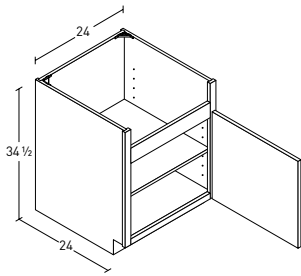


W: 30, 36

ITEM	SHELVES	A	B	C	D	E	F
BSC30 B	1	651	711	771	890	953	1010
BSC36 B	1	700	766	830	959	1026	1088
BS3D30	-	1262	1262	1262	1262	1367	1454
BS3D36	-	1451	1451	1451	1451	1575	1676

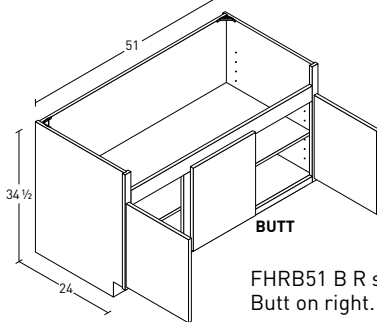
» Clearance from the top of drawer to the top of the cabinet is $4\frac{1}{8}$ ". Add the counter top thickness for total cooktop clearance. The top drawer is $2\frac{3}{8}$ " high.

FARMHOUSE RANGE BASE CABINETS



W: 24, 27, 30, 33, 36, 39, 42, 45, 48

FHRBD51

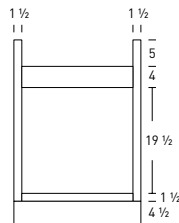


FHRB51 B R shown.
Butt on right.

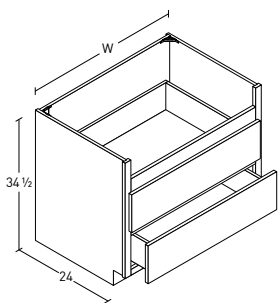
ITEM	A	B	C	D	E	F
FHRB24 R-L	391	430	469	547	595	626
FHRB24 B	426	469	512	597	648	682
FHRB27 B	460	507	552	644	699	736
FHRB30 B	480	528	576	672	728	767
FHRB33 B	484	536	581	677	735	775
FHRB36 B	506	556	607	708	767	809
FHRB39 B	526	579	632	737	798	842
FHRB42 B	552	608	663	774	837	883
FHRB45 B	575	633	690	805	872	920
FHRB48 B	599	659	719	839	907	958
FHRB51 B R-L	658	724	789	921	996	1052

» On FHRB51 R-L indicates position of butt door section, other door will be hinged opposite. Doors will be equal in size.

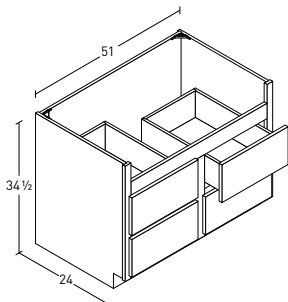
» Maximum trimmability is 7 1/2" down from the top.



FARMHOUSE RANGE BASE CABINETS WITH DRAWERS



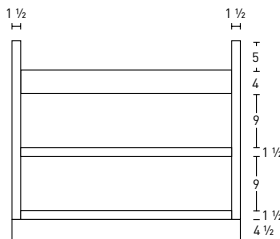
W: 36, 39, 42, 45, 48



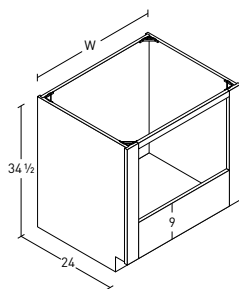
ITEM	A	B	C	D	E	F
FHRBD36	1382	1382	1382	1382	1504	1603
FHRBD39	1786	1786	1786	1786	1947	2078
FHRBD42	1882	1882	1882	1882	2051	2190
FHRBD45	1977	1977	1977	1977	2156	2302
FHRBD48	2072	2072	2072	2072	2260	2414
FHRBD51	2273	2273	2273	2273	2471	2631

» Maximum trimmability is 7 1/2" down from the top.

»



BASE OVEN CABINETS



W: 30, 33, 36

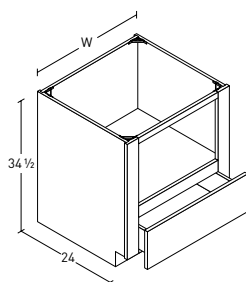
ITEM

BOC30		530
BOC33		545
BOC36		562
M-OCO	Custom Cutout Opening	143

» Includes a full back.

ITEM	Opening Width	Maximum Width	Opening Height	Maximum Height
BOC30	24	28½	19½	27
BOC33	27	31½	19½	27
BOC36	30	34½	19½	27

BASE MICROWAVE CABINETS



W: 27, 30

ITEM

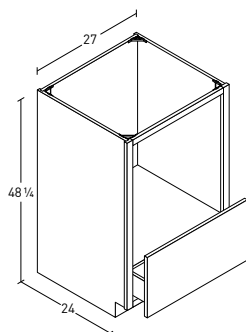
	A	B	C	D	E	F
BMOV27	862	862	862	862	939	1003
BMOV30	875	875	875	875	954	1018
M-OCO	Custom Cutout Opening				143	

» Includes a full back, ¾" floor and working drawer on the bottom.

» The interior of cabinet is standard maple melamine. Order finished interior if needed.

ITEM	Opening Width	Maximum Width	Opening Height	Maximum Height
BMOV27	21	24	15	16½
BMOV30	24	27	15	16½

BASE DISHWASHER CABINETS



ITEM

	A	B	C	D	E	F
BDC2748	942	942	942	942	1026	1097

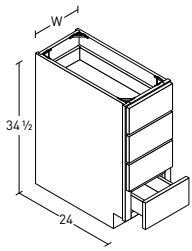
» Base dishwasher cabinets are designed to raise the dishwasher.

» Includes a full back, ¾" floor and working drawer on the bottom.

» Drawer front is oversized to cover the toe kick of the dishwasher.

ITEM	Opening Width	Opening Height
BDC2748	24	34½

BASE FOUR-DRAWER CABINETS

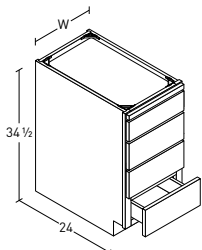


W: 12, 15, 18, 21, 24, 27, 30, 33, 36

ITEM	A	B	C	D	E	F
B4D12	886	886	886	886	955	1012
B4D15	933	933	933	933	1006	1067
B4D18	981	981	981	981	1060	1124
B4D21	1035	1035	1035	1035	1119	1187
B4D24	1097	1097	1097	1097	1186	1260
B4D27	1236	1236	1236	1236	1339	1423
B4D30	1262	1262	1262	1262	1367	1454
B4D33	1357	1357	1357	1357	1471	1565
B4D36	1451	1451	1451	1451	1575	1676

» Drawers are approximately equal.

BASE FOUR-DRAWER BREAD BOARD CABINETS



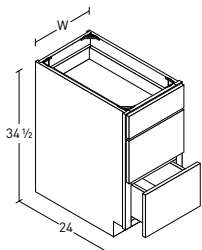
W: 12, 15, 18, 21, 24

ITEM	A	B	C	D	E	F
B4D12BB	1060	1060	1060	1060	1129	1186
B4D15BB	1107	1107	1107	1107	1180	1241
B4D18BB	1155	1155	1155	1155	1234	1298
B4D21BB	1209	1209	1209	1209	1293	1361
B4D24BB	1271	1271	1271	1271	1360	1434

» Bread boards are constructed of solid maple. End cap matches the cabinet wood Species.

» 5-piece drawer fronts will be slab on top drawer.

BASE THREE-DRAWER CABINETS

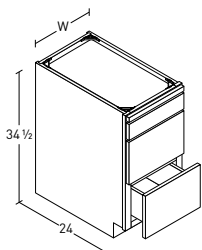


W: 12, 15, 18, 21, 24, 27, 30, 33, 36

ITEM	A	B	C	D	E	F
B3D12	886	886	886	886	955	1012
B3D15	933	933	933	933	1006	1067
B3D18	981	981	981	981	1060	1124
B3D21	1035	1035	1035	1035	1119	1187
B3D24	1097	1097	1097	1097	1186	1260
B3D27	1236	1236	1236	1236	1339	1423
B3D30	1262	1262	1262	1262	1367	1454
B3D33	1357	1357	1357	1357	1471	1565
B3D36	1451	1451	1451	1451	1575	1676

» 15" and 18" staple drawer options are available on bottom two drawers of B3D15 and B3D18 cabinets. See Door/Drawer Front Options for pricing.

BASE THREE-DRAWER BREAD BOARD CABINETS



W: 12, 15, 18, 21, 24

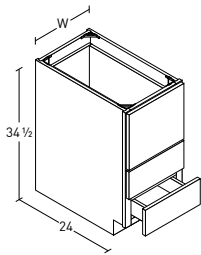
ITEM	A	B	C	D	E	F
B3D12BB	1060	1060	1060	1060	1129	1186
B3D15BB	1107	1107	1107	1107	1180	1241
B3D18BB	1155	1155	1155	1155	1234	1298
B3D21BB	1209	1209	1209	1209	1293	1361
B3D24BB	1271	1271	1271	1271	1360	1434

» 15" and 18" staple drawer options are available on bottom two drawers of B3D15 and B3D18 cabinets. See Door/Drawer Front Options for pricing.

» Bread boards are constructed of solid maple. End cap matches the cabinet wood Species.

» 5-piece drawer fronts will be slab on top drawer.

BASE THREE-DRAWER REVERSE CABINETS

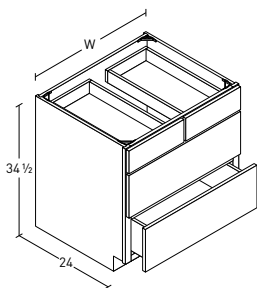


W: 15, 18, 21, 24, 27, 30, 33, 36

ITEM	A	B	C	D	E	F
B3DR15	1060	1060	1060	1060	1133	1194
B3DR18	1108	1108	1108	1108	1187	1251
B3DR21	1162	1162	1162	1162	1246	1314
B3DR24	1224	1224	1224	1224	1313	1387
B3DR27	1363	1363	1363	1363	1466	1550
B3DR30	1389	1389	1389	1389	1494	1581
B3DR33	1484	1484	1484	1484	1598	1692
B3DR36	1578	1578	1578	1578	1702	1803

» Bottom two drawers are standard height, top drawer is 10 1/2" high.

BASE WITH TWO DEEP DRAWERS AND TWO SHALLOW DRAWERS CABINETS

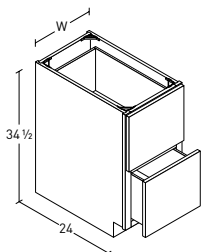


W: 24, 27, 30, 33, 36

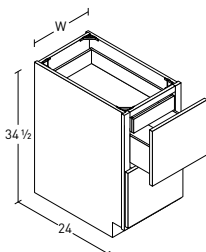
ITEM	A	B	C	D	E	F
B2D2S24	1277	1277	1277	1277	1366	1440
B2D2S27	1416	1416	1416	1416	1519	1603
B2D2S30	1442	1442	1442	1442	1547	1634
B2D2S33	1537	1537	1537	1537	1651	1745
B2D2S36	1631	1631	1631	1631	1755	1856

» Two top drawers will have a butt appearance.

BASE TWO-DRAWER CABINETS



W: 15, 18, 21, 24, 27, 30, 33, 36

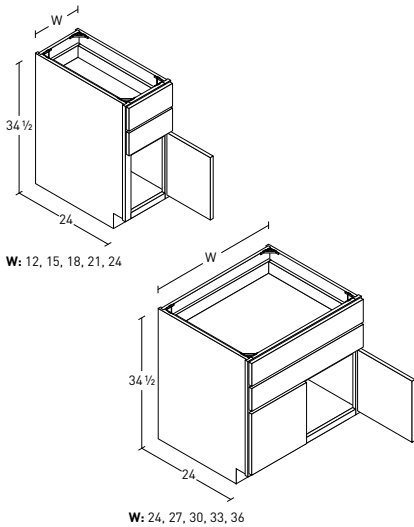


W: 15, 18, 21, 24, 27, 30, 33, 36
B2D15 with RT option
over top drawer shown.

ITEM	A	B	C	D	E	F
B2D15	782	782	782	782	847	899
B2D18	806	806	806	806	872	927
B2D21	884	884	884	884	958	1019
B2D24	945	945	945	945	1026	1091
B2D27	1086	1086	1086	1086	1179	1255
B2D30	1110	1110	1110	1110	1207	1285
B2D33	1206	1206	1206	1206	1310	1397
B2D36	1301	1301	1301	1301	1415	1509

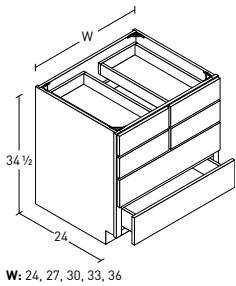
» Roll-out trays are available as an option and can be placed over the top, bottom or both drawers. The standard drawer box height is 10 1/2". When an RT is added the drawer box is reduced and the RT is placed 1" below the rail. The drawer fronts remain the same.

BASE TWO-DRAWER ON TOP CABINETS



ITEM	A	B	C	D	E	F
B2DT12 R-L	826	898	954	1114	1186	1258
B2DT15 R-L	850	925	999	1148	1226	1297
B2DT18 R-L	876	953	1030	1184	1265	1338
B2DT21 R-L	962	1048	1134	1305	1394	1476
B2DT24 R-L	1029	1122	1214	1399	1495	1583
B2DT24 B	1107	1208	1308	1508	1612	1708
B2DT27 B	1184	1292	1400	1616	1728	1831
B2DT30 B	1211	1322	1432	1653	1768	1874
B2DT33 B	1316	1437	1558	1800	1926	2042
B2DT36 B	1421	1553	1684	1947	2084	2210

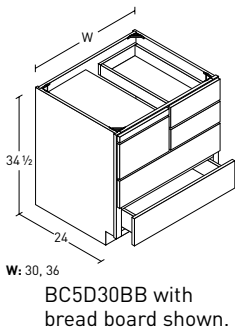
BASE SIX SHALLOW DRAWER CABINETS



ITEM	A	B	C	D	E	F
B6SD24	1594	1594	1594	1594	1754	1913
B6SD27	1636	1636	1636	1636	1801	1964
B6SD30	1664	1664	1664	1664	1831	1997
B6SD33	1721	1721	1721	1721	1894	2066
B6SD36	1889	1889	1889	1889	2078	2267

» Drawer heights match drawer heights of base 4-drawer cabinets.

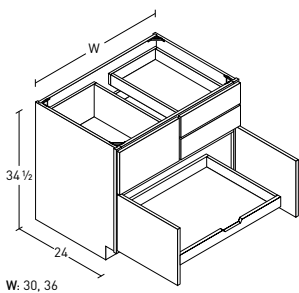
BAKE CENTER CABINETS



ITEM	A	B	C	D	E	F
BC5D30	1603	1603	1603	1603	1730	1836
BC5D36	1844	1844	1844	1844	1995	2119
BC5D30BB	1753	1753	1753	1753	1895	2012
BC5D36BB	1989	1989	1989	1989	2153	2288

- » The BC5D30 and BC5D36 are the same as the BC5D30BB and BC5D36BB without a bread board.
- » Bread boards are constructed of solid maple. End cap matches the cabinet wood Species.
- » See Door/Drawer Front Options to apply staple drawer option on top large drawer of BC5D30 and BC5D36 cabinets.

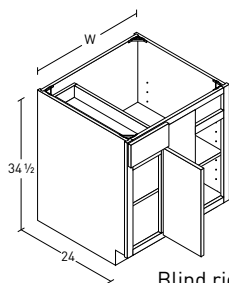
BAKE CENTER CABINETS WITH ROLL-OUT TRAY



ITEM	A	B	C	D	E	F
BC30RT	1303	1411	1518	1733	1840	1948
BC36RT	1371	1486	1600	1828	1942	2057
BC30RTBB	1429	1549	1669	1909	2029	2149
BC36RTBB	1496	1623	1750	2003	2130	2257

- » The BC30RT and BC36RT are the same as the BC30RTBB and BC36RTBB without a bread board.
- » Bread boards are constructed of solid maple. End cap matches the cabinet wood Species.
- » See Door/Drawer Front Options to apply staple drawer option on top large drawer of BC30RT and BC36RT cabinets.

BASE BLIND CORNER CABINETS



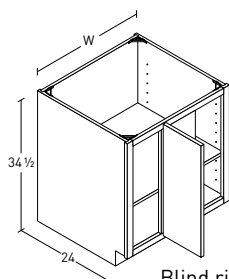
Blind right shown.

W: 36, 39, 42, 45, 48

ITEM	A	B	C	D	E	F	
BB36 R-L	585	639	692	799	854	905	
BB39 R-L	596	651	705	813	870	922	
BB42 R-L	657	718	778	899	962	1019	
BB45 R-L	674	737	799	923	988	1047	
BB48 R-L	695	759	824	952	1019	1080	
BB48 B R-L	728	796	863	998	1069	1133	
M-BFS	Blind Filled Solid						181

- » Includes one full adjustable shelf.
- » Doors always hinge on the blind side (ie. right blind has right hinged door)
- » BB48 B receives butt doors, must indicate blind left or right.
- » See base blind corner sizing chart on next page.

BASE BLIND CORNER CABINETS WITH FULL HEIGHT DOORS



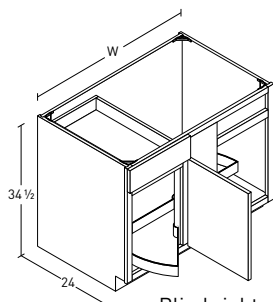
Blind right shown.

W: 36, 39, 42, 45, 48

ITEM	A	B	C	D	E	F	
BB36 R-L FHD	491	541	589	688	739	786	
BB39 R-L FHD	500	551	601	701	753	801	
BB42 R-L FHD	563	619	675	788	846	900	
BB45 R-L FHD	579	637	695	811	872	927	
BB48 R-L FHD	601	661	721	841	904	961	
BB48 B R-L FHD	634	698	761	888	955	1015	
M-BFS	Blind Filled Solid						181

- » Includes one full adjustable shelf.
- » Doors always hinge on the blind side (ie. right blind has right hinged door)
- » BB48 B R-L FHD receives butt doors, must indicate blind left or right.
- » See base blind corner sizing chart on next page.

BASE BLIND CORNER CABINETS WITH ROTARY TRAYS



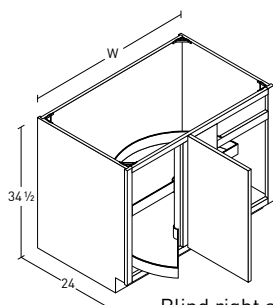
Blind right shown.

W: 42, 45, 48

ITEM	A	B	C	D	E	F	
BBR42 R-L	1426	1487	1547	1668	1731	1788	
BBR45 R-L	1443	1506	1568	1692	1757	1816	
BBR48 R-L	1464	1528	1593	1721	1788	1849	
BBR48 B R-L	1497	1565	1632	1767	1838	1902	
M-BFS	Blind Filled Solid						181

- » Includes two rotary trays.
- » Doors always hinge on the blind side (ie. right blind has right hinged door)
- » BBR48 B receives butt doors, must indicate blind left or right.
- » See base blind corner sizing chart on next page.

BASE BLIND CORNER CABINETS WITH FULL HEIGHT DOORS & ROTARY TRAYS



Blind right shown.

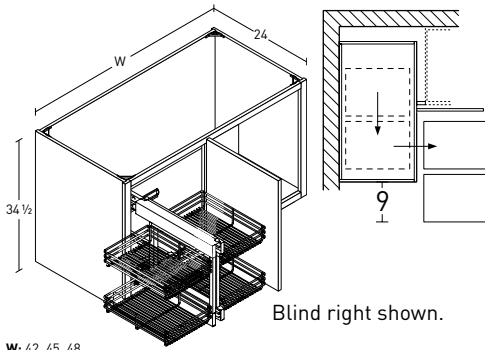
W: 42, 45, 48

ITEM	A	B	C	D	E	F	
BBR42 R-L FHD	1332	1388	1444	1557	1615	1669	
BBR45 R-L FHD	1348	1406	1464	1580	1641	1696	
BBR48 R-L FHD	1370	1430	1490	1610	1673	1730	
BBR48 B R-L FHD	1403	1467	1530	1657	1724	1784	
M-BFS	Blind Filled Solid						181

- » Includes two rotary trays.
- » Doors always hinge on the blind side (ie. right blind has right hinged door)
- » BBR48 B R-L FHD receives butt doors, must indicate blind left or right.
- » See base blind corner sizing chart on next page.

W: 45, 48

BASE BLIND CORNER CABINETS WITH METAL SLIDE-OUT RACK

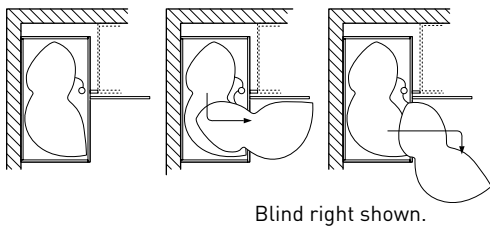


ITEM	A	B	C	D	E	F
BBSMO42 R-L FHD	1963	2019	2075	2188	2246	2300
BBSMO45 R-L FHD	1979	2037	2095	2211	2272	2327
BBSMO48 R-L FHD	2001	2061	2121	2241	2304	2361
M-BFS	Blind Filled Solid					181

- » BBSMO includes frame with four chrome baskets, full-extension ball bearing slides and hardware rated at 100 lb. capacity.
- » Doors always hinge on the blind side (ie. right blind has right hinged door).
- » See base blind corner sizing chart below.

W: 42, 45, 48

BASE BLIND CORNER CABINETS WITH LEMANS UNIT



ITEM	A	B	C	D	E	F
BBLU42 R-L FHD	2281	2342	2402	2523	2586	2643
BBLU45 R-L FHD	2298	2361	2423	2547	2612	2671
BBLU48 R-L FHD	2319	2383	2448	2576	2643	2704
M-BFS	Blind Filled Solid					181

- » BBLU comes with a LeMans organizer unit that includes maple melamine shelves with steel surrounds.
- » Doors always hinge on the blind side (ie. right blind has right hinged door)
- » See base blind corner sizing chart below.

Blind right shown.

24

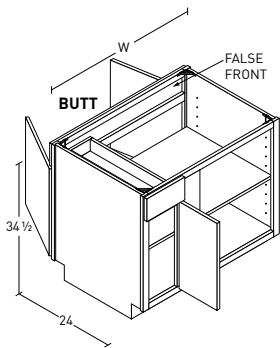
Blind right shown.

SIZING CHART	A	B	OPENING
_36 R-L	36"	39"	9"
_39 R-L	39"	42"	12"
_42 R-L	42"	45"	15"
_45 R-L	45"	48"	18"
_48 R-L	48"	51"	21"
_48 BR-L	48"	51"	21"

Filler required for all full overlay type door styles, and suggested for other styles.

A is the actual width of the cabinet.
B is the maximum space a cabinet may be pulled.

DOUBLE ENTRY BASE BLIND CORNER CABINETS

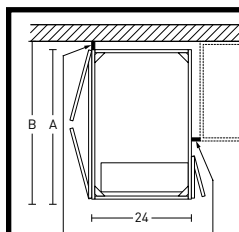


W: 36, 42, 48

Blind right shown.

ITEM	A	B	C	D	E	F
DOORS AND DRAWERS						
DBB36 BR-L	938	1027	1115	1292	1385	1469
DBB42 BR-L	1030	1128	1225	1421	1522	1615
DBB48 BR-L	1116	1223	1330	1542	1653	1755
FULL HEIGHT DOORS						
DBB36 BR-L FHD	779	857	935	1091	1173	1247
DBB42 BR-L FHD	855	941	1026	1197	1286	1368
DBB48 BR-L FHD	927	1020	1113	1298	1395	1484
M-BFS	Blind Filled Solid					181

- » Includes one full adjustable shelf.
- » Side with operable drawer dictates face when specifying blind and ordering finished ends. Indicate blind left or right.
- » Door on operable drawer side always hinges on the blind side (ie. right blind has right-hinged door).
- » Peninsula side receives butt doors and false front.
- » See base blind corner sizing chart below.



Filler required if cabinet is pulled from the wall.

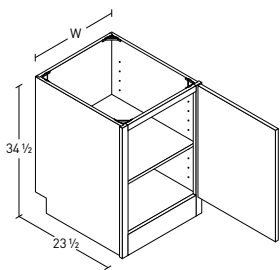
Filler required for all full overlay type door styles, and suggested for other styles.

A is the actual width of the cabinet.

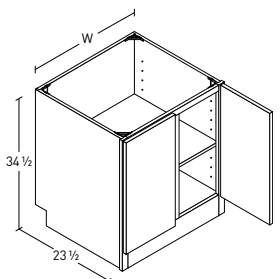
B is the maximum space a cabinet may be pulled.

ITEM	A	B	OPENING
DBB36 BR-L	36"	39"	9"
DBB42 BR-L	42"	45"	15"
DBB48 BR-L	48"	51"	21"

BASE PENINSULA CORNER CABINETS



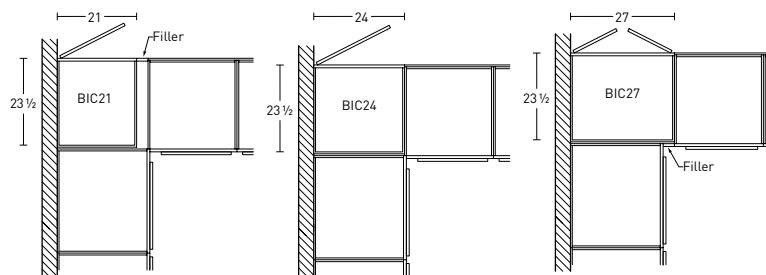
W: 21, 24



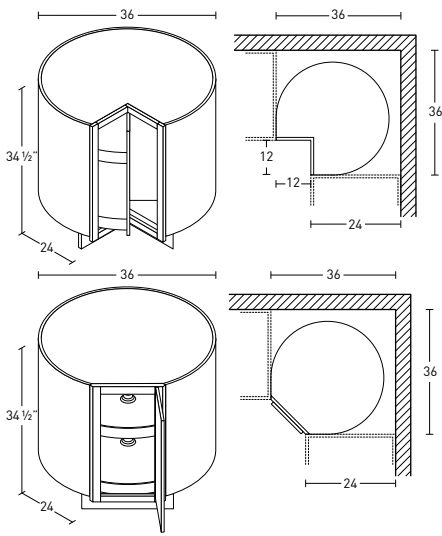
W: 24, 27

ITEM	A	B	C	D	E	F
BIC21 R-L	466	513	559	653	700	746
BIC24 R-L	527	580	633	738	792	844
BIC24 B	552	608	663	773	829	884
BIC27 B	613	675	736	859	921	982

- » Includes one full-depth adjustable shelf.
- » BIC21 and BIC27 include a 3 3/4" filler sent loose.



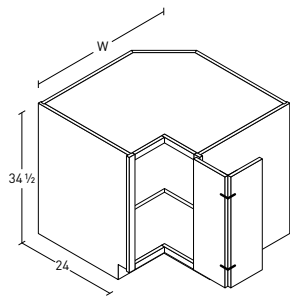
CORNER LAZY SUSAN CABINETS



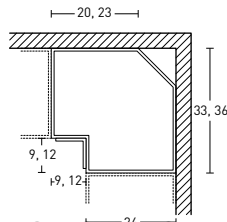
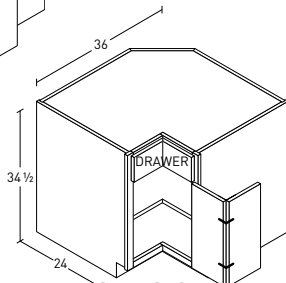
ITEM	A	B	C	D	E	F
LS36	974	1072	1169	1364	1466	1559
LSD36 R-L	937	1031	1125	1312	1410	1500

- » LS36 lazy susan cabinet comes with a door that revolves with the wood rotary trays.
- » Door on LSD36 lazy susan cabinet hinges to face frame.
- » Cabinet diameter: 31 1/4". Back is raw masonite.
- » LS36 not available in Arlington, Bridgeport, Davenport, Monarch, Redington, Staffordshire, and Woodridge.

CORNER EASY REACH 90° CABINETS



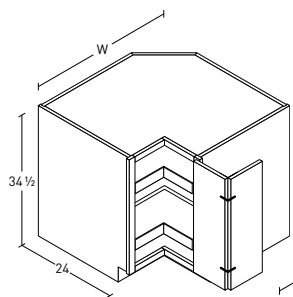
W: 33, 36



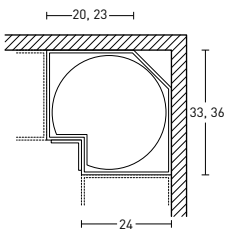
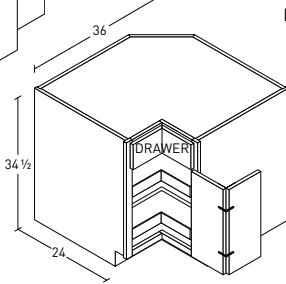
ITEM	A	B	C	D	E	F
CER33 R-L	1049	1154	1259	1469	1579	1679
CER36 R-L	1049	1154	1259	1469	1579	1679
CER36-DWR R-L	1566	1723	1880	2193	2359	2506

- » CER33 and CER36: Corner base cabinet that comes with hinged doors and a fixed shelf.
- » CER36-DWR: Corner base cabinet that comes with top drawer, hinged doors, and a fixed shelf.

CORNER EASY REACH 90° SUPER SUSAN CABINETS



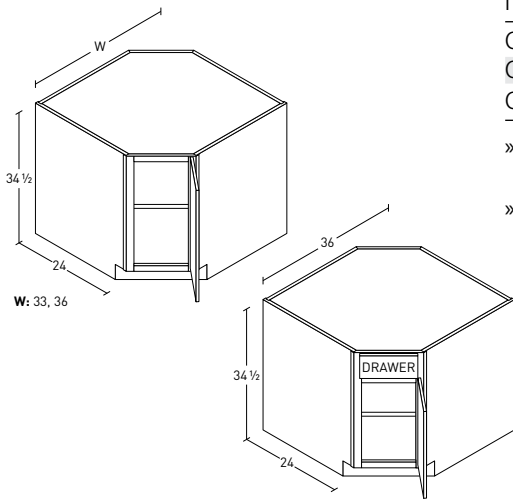
W: 33, 36



ITEM	A	B	C	D	E	F
CER33SS R-L	1570	1675	1780	1990	2100	2201
CER36SS R-L	1570	1675	1780	1990	2100	2201
CER36SS-DWRR-L	2087	2242	2401	2714	2880	3027

- » CER33SS and CER36SS: Corner base cabinet that comes with hinged doors and two wood rotary trays. Top rotary tray is mounted on a fixed shelf.
- » CER36SS-DWR: Corner base cabinet that comes with top drawer, hinged doors and two wood rotary trays. Top rotary tray is mounted on a fixed shelf.

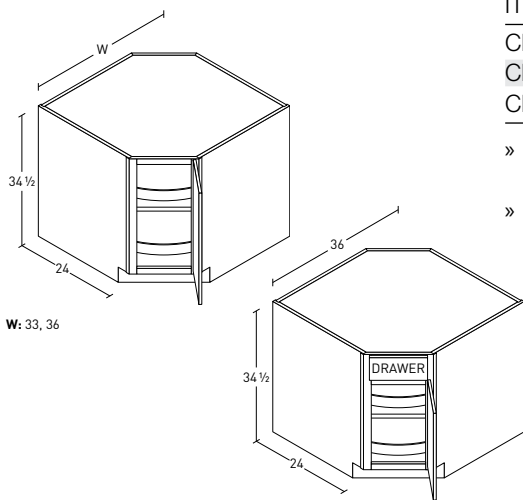
CORNER EASY REACH DIAGONAL CABINETS



ITEM	A	B	C	D	E	F
CERD33 R-L	1049	1154	1259	1469	1579	1679
CERD36 R-L	1049	1154	1259	1469	1579	1679
CERD36-DWR R-L	1566	1723	1880	2193	2359	2506

- » CERD33 and CERD36: Corner base cabinet that comes with a single door attached to the frame and a fixed shelf.
- » CER36-DWR: Corner base cabinet that comes with top drawer, a single door attached to the frame, and a fixed shelf.

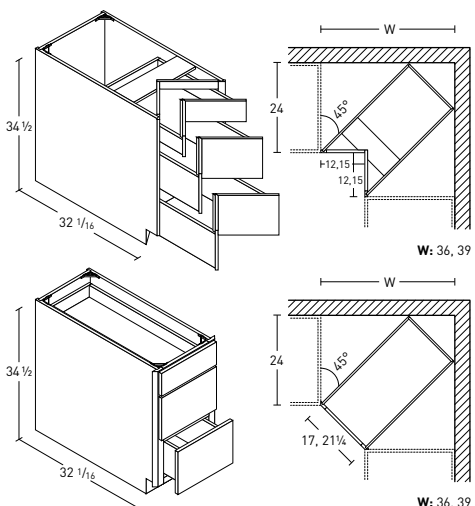
CORNER EASY REACH DIAGONAL SUPER SUSAN CABINETS



ITEM	A	B	C	D	E	F
CERD33SS R-L	1570	1675	1780	1990	2100	2201
CERD36SS R-L	1570	1675	1780	1990	2100	2201
CERD36SS-DWR R-L	2087	2242	2401	2714	2880	3027

- » CER33SS and CER36SS: Corner base cabinet that comes with a single door attached to the frame and two wood rotary trays. Top rotary tray mounted on a fixed shelf.
- » CER36SS-DWR: Corner base cabinet that comes with top drawer, a single door attached to the frame and two wood rotary trays. Top rotary tray mounted on a fixed shelf.

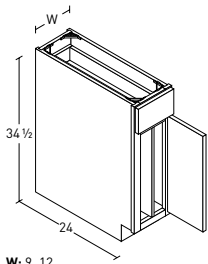
CORNER BASE 3-DRAWER CABINETS



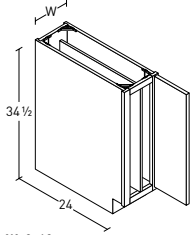
ITEM	A	B	C	D	E	F
CB3D36	2830	2830	2830	2830	3085	3295
CB3D39	2884	2884	2884	2884	3143	3357
DCB3D36	2644	2644	2644	2644	2893	3141
DCB3D39	2694	2694	2694	2694	2948	3201

- » Not available with finished ends.

BASE TRAY CABINETS



W: 9, 12

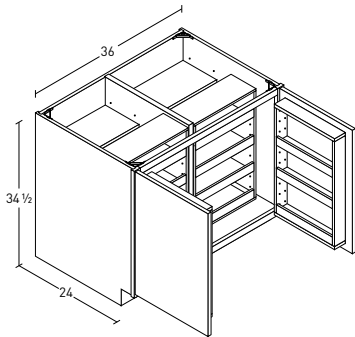


W: 9, 12

ITEM	A	B	C	D	E	F
DOOR AND DRAWER						
BT09 R-L	433	472	510	585	626	662
BT12 R-L	441	480	518	596	636	673
FULL HEIGHT DOOR						
BT09 R-L FHD	338	372	406	473	541	608
BT12 R-L FHD	338	372	406	473	541	608

- » Base tray cabinets are divided vertically down the center of the cabinet and are useful for cookie sheets and other large narrow pans.
- » 9" wide cabinet not available in mitered door styles.
- » 9" wide doors in all door styles will have 2 1/4" stiles and standard rails.
- » 9" wide doors in all door styles will be square design.

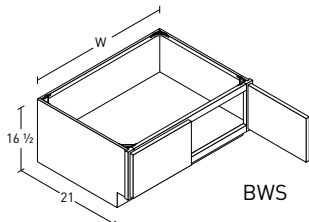
BASE PANTRY SUPER CABINET



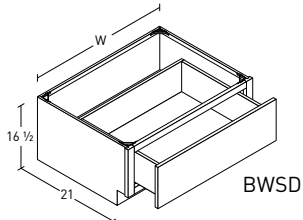
ITEM	A	B	C	D	E	F
BPS36 B	1901	2092	2282	2662	2860	3042

- » Base pantry cabinet includes 2 swing-out racks, 2 adjustable door racks and 4 shallow shelves.

BASE WINDOW SEAT CABINETS



W: 24, 27, 30, 33, 36

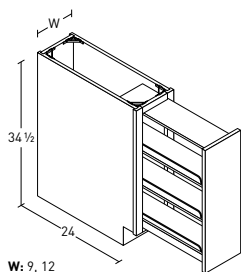


W: 24, 27, 30, 33, 36

ITEM	A	B	C	D	E	F
2-DOOR CABINETS						
BWS24 -21B	493	543	592	691	740	789
BWS27 -21B	508	559	610	712	762	813
BWS30 -21B	524	577	629	734	786	839
BWS33 -21B	542	597	651	759	813	868
BWS36 -21B	560	616	672	784	840	896
1-DRAWER CABINETS						
BWSD24 -21	668	730	791	914	976	1037
BWSD27 -21	687	751	814	941	1004	1068
BWSD30 -21	704	770	835	965	1030	1095
BWSD33 -21	722	789	856	990	1057	1124
BWSD36 -21	740	809	878	1015	1084	1153

- » Standard at 21" deep and 16 1/2" high.

BASE PULL-OUT CABINETS

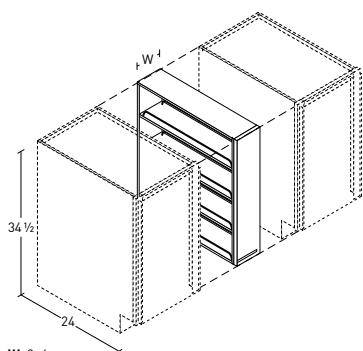


W: 9, 12

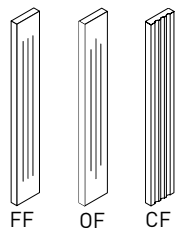
ITEM	A	B	C	D	E	F
BP09	1104	1215	1325	1546	1657	1767
BP12	1150	1265	1380	1610	1725	1840

- » BP09 & BP12: Base pantry cabinets include a three tier roll-out attached to a door which pulls out to make trays accessible.
- » 9" wide cabinet not available in mitered door styles.
- » 9" wide doors in all door styles will have 2 1/4" stiles and standard rails.
- » 9" wide doors in all door styles will be square design.

BASE SPICE FILLERS



W: 3, 6



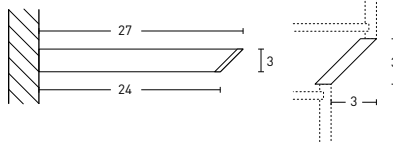
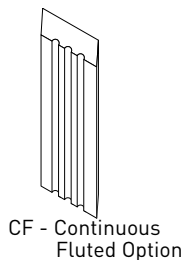
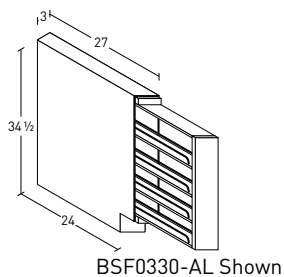
ITEM	TIERS	
BSF03	4 Tier	325
BSF06	4 Tier	435

OPTIONAL DECORATIVE FILLERS

M-AF-FF	Fluted Filler	83
M-AF-OF	Offset Filler	83
M-AF-CF	Continuous Filler	83

- » Includes a 2 -7/8" wide filler on the 3" unit, 5 -7/8" wide filler on the 6" unit.
- » Base spice fillers come with a standard filler (SF) that sits flush with the frame of installed adjacent cabinets.
- » Fluting may be added to the filler, please note that the fluted filler will remain flush with the frame of installed adjacent cabinets.
- » It is recommended that a filler overlay is ordered to apply to the standard filler. This application will help in the continuity of doors, fronts and frames.
- » Base spice fillers include a tiered pull-out shelving system with chrome rails, attached to a filler.
- » To achieve a finished look when using a base spice filler on the end of a run, a wall end panel is recommended.
- » Build-out from adjacent cabinet sides required to install wall spice fillers. Alternatively, adjacent cabinets with finished ends can be used.
- » Not available in vintage or rustic.

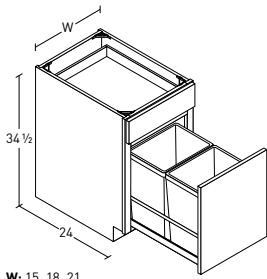
BASE ANGLED SPICE FILLERS



ITEM	TIERS		
BSF03-AR	4 Tiers	(Standard Filler -Angle Right)	816
BSF03-AL	4 Tiers	(Standard Filler -Angle Left)	816
BSF03-CFAR	4 Tiers	(Continuous Filler -Angle Right)	856
BSF03-CFAL	4 Tiers	(Continuous Filler -Angle Left)	856

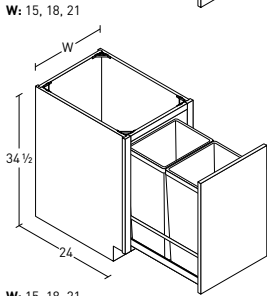
- » Base angled spice fillers come with a standard filler or with a continuous fluted filler.
- » Base spice fillers include a tiered pull-out shelving system with chrome rails, attached to a filler.
- » It is recommended that a filler overlay is ordered to apply to the standard filler. This application will help in the continuity of doors, fronts and frames.
- » To achieve a finished look when using a base spice filler on the end of a run, a base end panel is recommended.
- » Not available in vintage or rustic.

BASE WASTE BASKET CABINETS



Available with value or premium waste basket unit.

Note: 15" will have single basket.



Available with premium waste basket unit only.

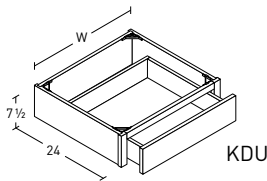
Note: 15" will have single basket.

W: 15, 18, 21

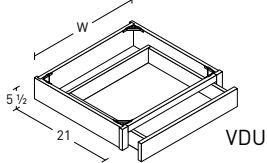
ITEM		A	B	C	D	E	F
DOOR AND DRAWER — ECONOMY							
BWE15	Single 35 Qt.	1088	1130	1171	1254	1296	1337
BWDE18	Double 32 Qt.	1139	1184	1228	1316	1361	1404
BWDE21	Double 32 Qt.	1169	1214	1260	1354	1401	1447
DOOR AND DRAWER — PREMIUM							
BW15	Single 35 Qt.	1217	1259	1300	1383	1425	1466
BWD18	Double 35 Qt.	1268	1313	1357	1445	1490	1533
BWD21	Double 35 Qt.	1296	1343	1389	1483	1530	1576
FULL HEIGHT DOOR — PREMIUM							
BW15 FHD	Single 50 Qt.	1128	1166	1204	1278	1316	1353
BWD18 FHD	Double 50 Qt.	1186	1226	1266	1345	1395	1425
BWD21 FHD	Double 50 Qt.	1215	1257	1300	1385	1427	1469
Upgrade to Servo Drive Unit							(Available on Premium Only)
							767

- » Economy waste basket unit is a wire frame pull-out that features soft-close, full extension glides.
- » Premium waste basket unit features Blum Tandem glide and box.
- » Waste basket cabinets cannot be reduced in depth.

DRAWER UNITS



W: 24, 27, 30, 33, 36, 39, 42

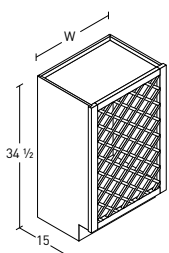


W: 24, 27, 30, 33, 36, 39, 42

ITEM		A	B	C	D	E	F
KITCHEN HEIGHT — 7 1/2"							
KDU24		489	489	489	489	538	587
KDU27		507	507	507	507	558	609
KDU30		526	526	526	526	579	632
KDU33		545	545	545	545	601	654
KDU36		576	576	576	576	634	692
KDU39		615	615	615	615	677	738
KDU42		648	648	648	648	713	778
VANITY HEIGHT — 5 1/2"							
VDU24	(21" Deep)						408
VDU27	(21" Deep)						423
VDU30	(21" Deep)						438
VDU33	(21" Deep)						454
VDU36	(21" Deep)						479
VDU39	(21" Deep)						514
VDU42	(21" Deep)						542

- » Kitchen height drawer box is 4 3/8" high, vanity height drawer box is 2 3/8" high.
- » VDU will come with slab front in all door styles.
- » Drawer unit built with 1 1/2" stiles which are not trimmable.
- » No bottom rail and no bottom.

BASE WINE RACK

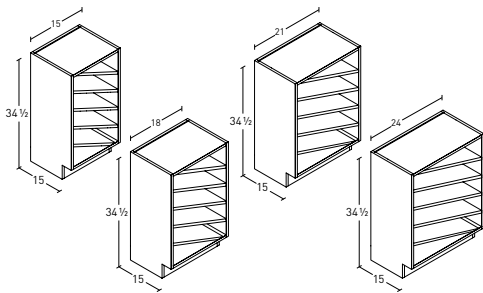


W: 18, 21, 24

ITEM	BOTTLES	
BWR18 45	15	765
BWR21 45	17	784
BWR24 45	21	802

- » There are approximately 4 bottle openings per square foot.
- » Interior comes finished.
- » Not available with integrated decorative end.

BASE WINE RACK DIAGONAL



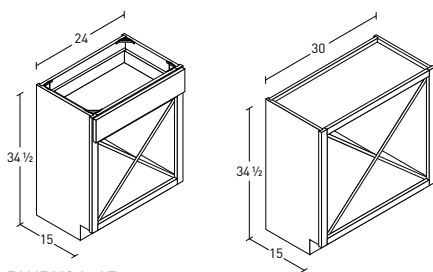
W: 15, 18, 21, 24

*Left Shown

ITEM	BOTTLES	
BWRD15-15 R-L	15	765
BWRD18-15 R-L	17	784
BWRD21-15 R-L	21	802
BWRD24-15 R-L	25	812

- » Interior comes finished.
- » R-L indicates high side of sloped shelves.
- » Bottle capacity is approximate.
- » Any size modifications will require a detail drawing.

BASE WINE RACK "X"



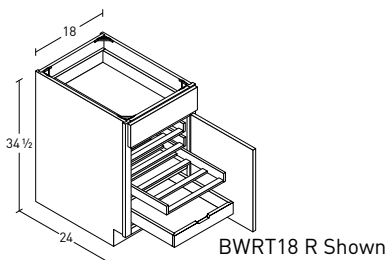
BWRX24-15

BWRX30-15

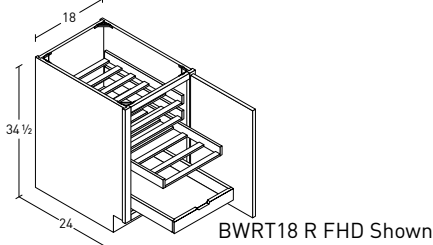
ITEM	
BWRX24-15	853
BWRX30-15	784

- » Interior comes finished.
- » Any size modifications will require a detail drawing.

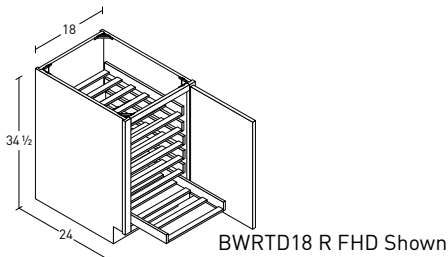
BASE WINE ROLL-OUT TRAY CABINETS



BWRT18 R Shown



BWRT18 R FHD Shown

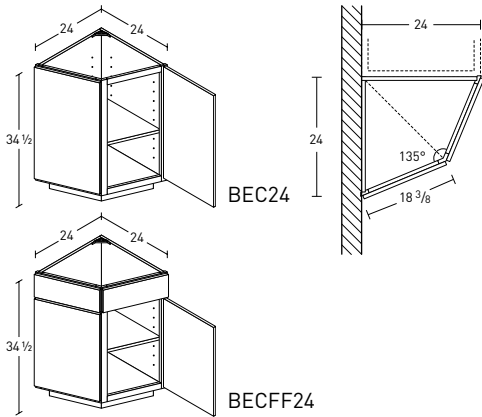


BWRTD18 R FHD Shown

ITEM	BOTTLES	A	B	C	D	E	F
BWRT18 R-L	18	1719	1764	1808	1896	1942	1984
BWRT18 R-L FHD	18	1577	1622	1666	1754	1800	1842
BWRTD18 R-L FHD	36	2538	2578	2618	2697	2739	2777

- » BWRT18 R-L and BWRT18 R-L FHD includes one 3-tray roll-out wine unit on a fixed floor with a roll-out tray below.
- » BWRTD18 R-L FHD includes two 3-tray roll-out wine units.
- » 3-tray roll-out wine units are solid maple construction and feature full-extension ball-bearing slides.

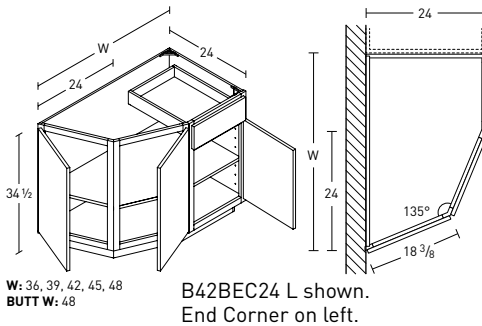
BASE END CORNER CABINETS



ITEM	A	B	C	D	E	F
BEC24	945	1041	1135	1324	1419	1513
BECFF24	989	1088	1187	1385	1485	1583

- » Doors hinged to outside stiles.
- » False front provides a symmetrical look.
- » Includes one full-depth adjustable shelf.
- » Not available with finished ends.

BASE END CORNER COMBINATION CABINETS



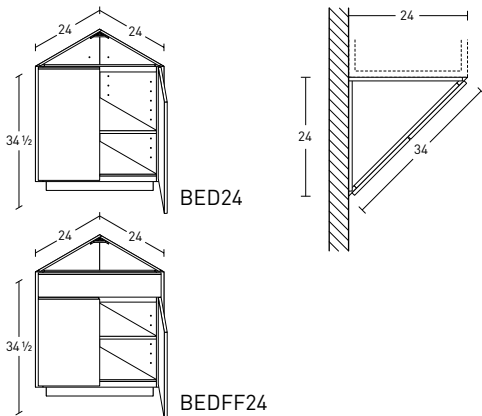
W: 36, 39, 42, 45, 48
BUTT W: 48

B42BEC24 L shown.
End Corner on left.

ITEM	A	B	C	D	E	F
B36BEC24 R-L	1386	1521	1653	1920	2055	2186
B39BEC24 R-L	1412	1550	1685	1957	2096	2229
B42BEC24 R-L	1439	1580	1718	1995	2136	2272
B45BEC24 R-L	1464	1607	1747	2030	2174	2312
B48BEC24 R-L	1478	1622	1764	2049	2193	2333
B48BEC24 BR-L	1536	1693	1846	2153	2312	2459

- » R-L designates location of angled end.
- » Cabinet code example: B42BEC24 L = BEC24 + B18 R, overall 42" wide.
- » Cabinets with one door on the front face of the cabinet will be hinged to the outside stile.
- » Includes one full-depth adjustable shelf.

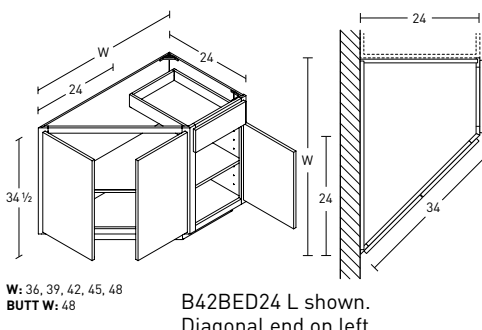
BASE END DIAGONAL CABINETS



ITEM	A	B	C	D	E	F
BED24	899	989	1079	1259	1349	1438
BEDFF24	961	1057	1153	1346	1441	1537

- » False front provides a symmetrical look.
- » Includes one full-depth adjustable shelf.
- » Not available with finished ends.

BASE END DIAGONAL COMBINATION CABINETS



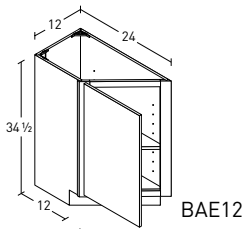
W: 36, 39, 42, 45, 48
BUTT W: 48

B42BED24 L shown.
Diagonal end on left.

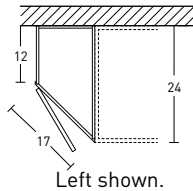
ITEM	A	B	C	D	E	F
B36BED24 R-L	1340	1469	1597	1855	1985	2111
B39BED24 R-L	1366	1498	1629	1892	2026	2154
B42BED24 R-L	1393	1528	1662	1930	2066	2197
B45BED24 R-L	1418	1555	1691	1965	2104	2237
B48BED24 R-L	1432	1570	1708	1984	2123	2258
B48BED24 BR-L	1490	1640	1789	2087	2242	2384

- » R-L designates location of diagonal end.
- » Cabinet code example: B42BED24 L = BED24 + B18 R, overall 42" wide.
- » Cabinets with one door on the front face of the cabinet will be hinged to the outside stile.
- » Includes one full-depth adjustable shelf.

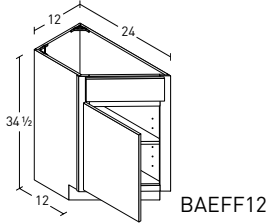
BASE ANGLED END CABINETS



BAE12



Left shown.

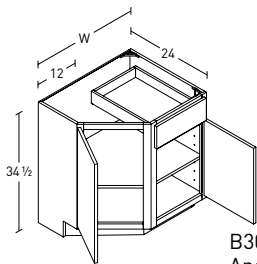


BAEFF12

ITEM	A	B	C	D	E	F
BAE12 R-L	605	666	726	847	908	968
BAEFF12 R-L	657	723	788	920	986	1051

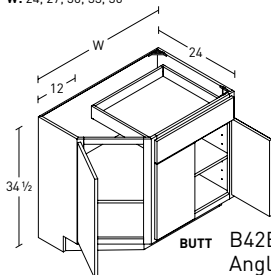
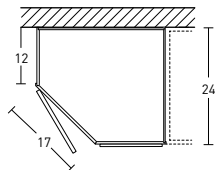
- » R-L indicates position of 12" side. Door will be hinged on 12" stile.
- » Unfinished ends are standard, order finished ends if needed.
- » Includes one full -depth adjustable shelf.

BASE ANGLED END COMBINATION CABINETS



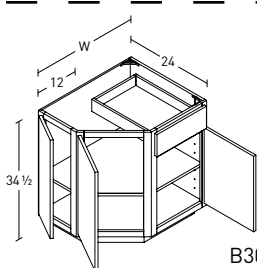
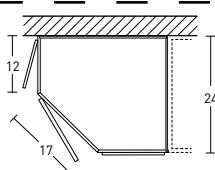
W: 24, 27, 30, 33, 36

B30BAE12 L shown.
Angled end on left.



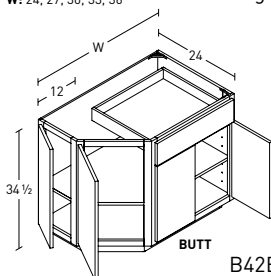
W: 36, 39, 42, 45, 48

BUTT B42BAE12 B L shown.
Angled end on left.



W: 24, 27, 30, 33, 36

B30BAE12F L shown.
Angled end on left.



W: 36, 39, 42, 45, 48

BUTT B42BAE12F B L shown.
Angled end on left.

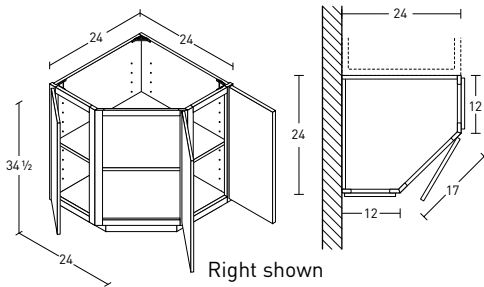
ITEM	A	B	C	D	E	F
STANDARD						
B24BAE12 R-L	1046	1146	1244	1443	1544	1641
B27BAE12 R-L	1072	1175	1276	1480	1585	1684
B30BAE12 R-L	1099	1205	1309	1518	1625	1727
B33BAE12 R-L	1124	1232	1338	1553	1663	1767
B36BAE12 R-L	1138	1247	1355	1572	1682	1788
B36BAE12 B R-L	1196	1318	1437	1676	1801	1914
B39BAE12 B R-L	1253	1374	1493	1733	1856	1973
B42BAE12 B R-L	1256	1377	1497	1737	1861	1978
B45BAE12 B R-L	1275	1398	1458	1765	1890	2009
B48BAE12 B R-L	1305	1432	1492	1806	1934	2056

WITH FRAME AND DOOR ON 12" END

B24BAE12F R-L	1643	1743	1841	2040	2141	2238
B27BAE12F R-L	1669	1772	1873	2077	2182	2281
B30BAE12F R-L	1696	1802	1906	2115	2222	2324
B33BAE12F R-L	1721	1829	1935	2150	2260	2364
B36BAE12F R-L	1735	1844	1952	2169	2279	2385
B36BAE12F B R-L	1793	1914	2033	2272	2398	2511
B39BAE12F B R-L	1850	1971	2090	2330	2453	2570
B42BAE12F B R-L	1853	1974	2094	2334	2458	2575
B45BAE12F B R-L	1872	1995	2055	2362	2487	2606
B48BAE12F B R-L	1902	2029	2089	2403	2531	2653

- » R-L indicates position of 12" deep side (angled frame). Door on angle will be hinged on the 12" side.
- » Cabinet code example: B30BAE12 L = BAE12 L + B18 R, overall 30" wide.
- » Cabinet code example: B42BAE12 B L = BAE12 L + B30 B, overall 42" wide.
- » Cabinets with one door on the front face of the cabinet will be hinged to the outside stile.
- » The door on cabinets with Frame and Door on 12" End will be hinged to the outside stile.
- » Unfinished ends are standard, order finished ends if needed.
- » Includes one full -depth adjustable shelf.

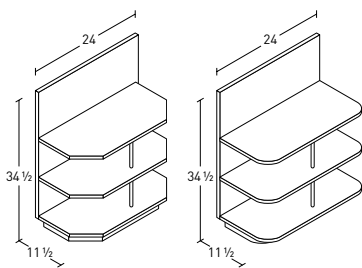
BASE ANGLED TRIPLE FACE CABINETS



ITEM	A	B	C	D	E	F
BAT24 R-L	1087	1196	1305	1522	1632	1740

- » R-L indicates hinging of center door. Outside doors will be hinged to outside stiles.
- » Includes one full-depth adjustable shelf.

BASE ISLAND WHAT NOT SHELVES



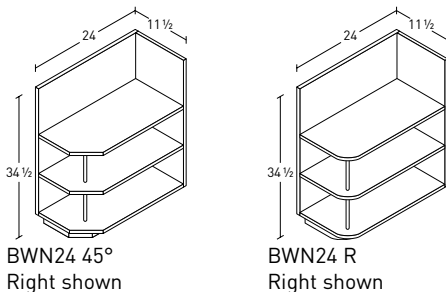
BIWN24 45°

BIWN24 R

ITEM	
BIWN24 45	505
BIWN24 R	505

- » BIWN shelves are constructed of 3/4" solid wood. The shelves are attached to a 3/4" banded veneer back. Toe base assembly shipped loose.
- » BIWN24 45° shelves are angled at 45°.
- » BIWN24 R shelves are radius.
- » Not available with finished ends.

BASE WHAT NOT SHELVES



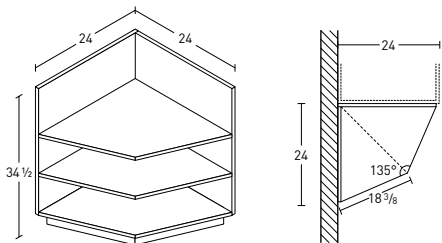
BWN24 45°
Right shown

BWN24 R
Right shown

ITEM	
BWN24 45° R-L	505
BWN24 R R-L	505

- » BWN24 45° R-L shelves are constructed of 3/4" solid wood. The shelves are attached to a 3/4" banded veneer side and back panel. Specify right or left side of the cabinet as you face it. Toe base assembly shipped loose. (Right is pictured).
- » BWN24 45° shelves are angled at 45°.
- » BWN24 R shelves are radius.
- » Not available with finished ends.

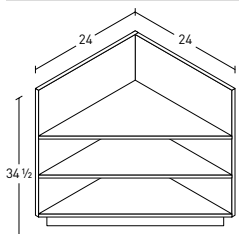
BASE WHAT NOT 135° SHELVES



ITEM	
BWN24 135	505

- » Constructed of 3/4" solid wood. The shelves are attached to a 3/4" banded veneer side and back panel. Toe base assembly shipped loose.
- » Not available with finished ends.

BASE WHAT NOT DIAGONAL SHELVES



ITEM	
BWND24	505

- » Constructed of 3/4" solid wood. The shelves are attached to a 3/4" banded veneer side and back panel. Toe base assembly shipped loose.
- » Not available with finished ends.

PREFERRED BY KARMAN

TALL & UTILITY CABINETS SECTION 8

Index by Category and Name

STANDARD

Pantry Cabinets — 84" Tall	8-5
Pantry Cabinets — 87" Tall	8-5
Pantry Cabinets — 90" Tall	8-6
Pantry Cabinets — 93" Tall	8-6
Pantry Cabinets — 96" Tall	8-7
Pantry Fronts	8-8
Utility Cabinets — 84" Tall	8-1
Utility Cabinets — 87" Tall	8-1
Utility Cabinets — 90" Tall	8-2
Utility Cabinets — 93" Tall	8-2
Utility Cabinets — 96" Tall	8-3
Utility Fronts	8-4

SPECIALTY

Pantry Broom Cabinets	8-9
Pantry Broom Cabinets with Roll-Out Trays	8-9
Super Pantry Tall Cabinets	8-10
Tall Utility Base Bottom Cabinets	8-11
Tall Utility FHD Bottom Cabinets	8-12
Utility Four-Drawer Cabinets	8-13
Utility Pull-Out Cabinets	8-10
Utility Three-Drawer Cabinets	8-14

APPLIANCE

Double Oven Cabinets	8-16
Oven Cabinets	8-15
Oven Microwave Cabinets	8-17
Oven / Microwave Overlay Frame	8-18
Refrigerator Cabinets	8-18

END OF THE RUN

Tall End Corner Cabinets	8-19
Tall End Diagonal Cabinets	8-19

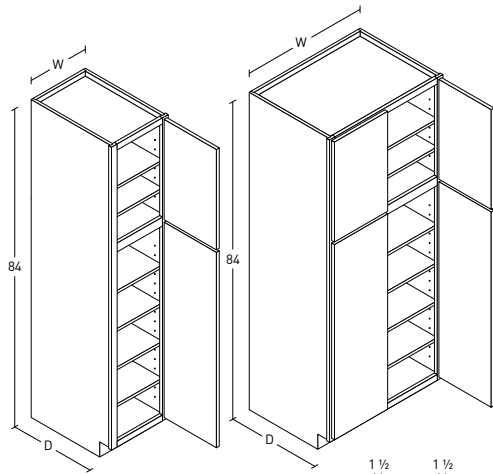
PREFERRED BY KARMAN

TALL & UTILITY CABINETS

Index by Nomenclature

OCDDBL_ - - - - (Oven Cabinets) - -	8-16	PC_93 - - - - - (Pantry Cabinet) - -	8-6	UT3D_ - - - - - (Utility 3-Drawer) - -	8-14
OCDMOV_ - - - - (Oven Cabinets) - -	8-17	PC_96 - - - - - (Pantry Cabinet) - -	8-7	UT4D_ - - - - - (Utility 4-Drawer) - -	8-13
OCD_ - - - - - (Oven Cabinets) - -	8-15	PF_ - - - - - (Pantry Front) - -	8-8	UT_84 - - - - - (Utility) - - - - -	8-1
OMOF - - - - - (Oven Cabinets) - -	8-18	RC_ - - - - - (Oven Cabinets) - -	8-18	UT_87 - - - - - (Utility) - - - - -	8-1
PADS_ - - - - - (Super Pantry) - -	8-10	TEC_ - - - - - (Tall Corner) - -	8-19	UT_90 - - - - - (Utility) - - - - -	8-2
PB_ - - - - - (Pantry Broom) - -	8-9	TED_ - - - - - (Tall Diagonal) - -	8-19	UT_93 - - - - - (Utility) - - - - -	8-2
PC_84 - - - - - (Pantry Cabinet) - -	8-5	TUB_ - - - - - (Utility Base Bottom) -	8-11	UT_96 - - - - - (Utility) - - - - -	8-3
PC_87 - - - - - (Pantry Cabinet) - -	8-5	TUF_ - - - - - (Utility Base Bottom) -	8-12	UTP_ - - - - - (Pull-Out Cabinet) - -	8-10
PC_90 - - - - - (Pantry Cabinet) - -	8-6	UF_ - - - - - (Utility Front) - -	8-4		

UTILITY CABINETS — 84" TALL



W: 12, 15, 18, 21, 24
D: 12, 18, 21, 24

W: 24, 27, 30, 33, 36
D: 12, 18, 21, 24

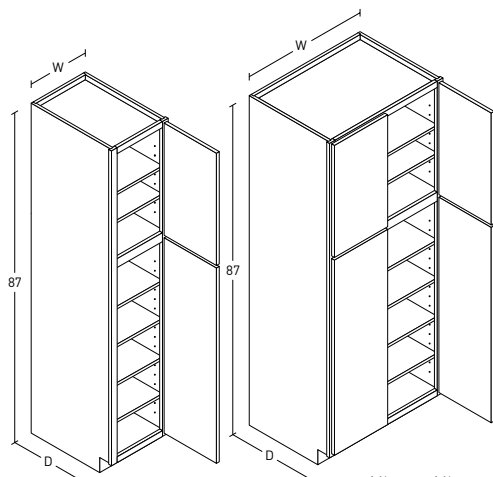
See Modifications to order loose toe.

ITEM	A	B	C	D	E	F
12" DEEP						
UT1284 1/2 R-L	796	863	929	1061	1127	1194
UT1584 1/2 R-L	838	909	979	1120	1190	1261
UT1884 1/2 R-L	914	992	1070	1226	1304	1382
UT2184 1/2 R-L	990	1076	1162	1333	1418	1505
UT2484 1/2 R-L	1043	1134	1225	1408	1498	1589
UT2484 1/2 B	1085	1181	1276	1466	1561	1656
UT2784 1/2 B	1127	1226	1326	1525	1624	1723
UT3084 1/2 B	1209	1316	1424	1639	1747	1854
UT3384 1/2 B	1260	1372	1486	1711	1823	1936
UT3684 1/2 B	1312	1428	1548	1784	1901	2019

ITEM	A	B	C	D	E	F
18", 21", 24" DEEP						
UT1284 1/8; 21; 24 R-L	1021	1110	1199	1376	1465	1554
UT1584 1/8; 21; 24 R-L	1063	1156	1249	1434	1528	1621
UT1884 1/8; 21; 24 R-L	1119	1218	1316	1513	1612	1710
UT2184 1/8; 21; 24 R-L	1179	1283	1385	1597	1702	1806
UT2484 1/8; 21; 24 R-L	1238	1348	1459	1680	1790	1900
UT2484 1/8; 21; 24 B	1282	1397	1512	1742	1856	1971
UT2784 1/8; 21; 24 B	1325	1444	1563	1801	1921	2039
UT3084 1/8; 21; 24 B	1408	1535	1662	1917	2045	2173
UT3384 1/8; 21; 24 B	1468	1601	1735	2002	2135	2269
UT3684 1/8; 21; 24 B	1527	1666	1775	2083	2224	2363

- » 18", 21" and 24" deep cabinets available at same price. Indicate depth when ordering.
- » Utility cabinets ship with four shelves in bottom section and two shelves in top section.
- » All tall cabinets ship with built-in toe kick. See Modifications to order loose toe kick.

UTILITY CABINETS — 87" TALL



W: 12, 15, 18, 21, 24
D: 12, 18, 21, 24

W: 24, 27, 30, 33, 36
D: 12, 18, 21, 24

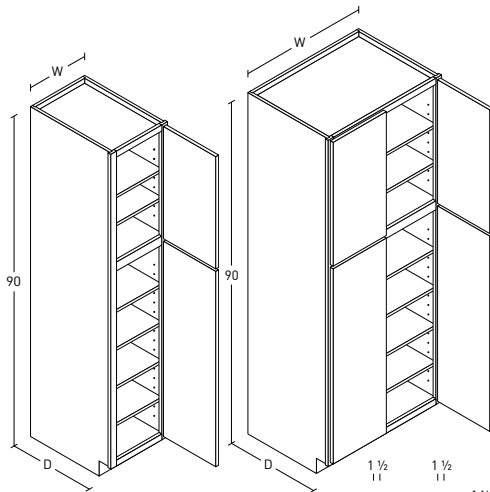
See Modifications to order loose toe.

ITEM	A	B	C	D	E	F
12" DEEP						
UT1287 1/2 R-L	991	1077	1163	1334	1420	1506
UT1587 1/2 R-L	1033	1123	1213	1393	1483	1572
UT1887 1/2 R-L	1093	1189	1285	1477	1573	1669
UT2187 1/2 R-L	1152	1254	1356	1560	1661	1763
UT2487 1/2 R-L	1209	1316	1424	1639	1747	1854
UT2487 1/2 B	1263	1376	1489	1715	1828	1941
UT2787 1/2 B	1311	1429	1546	1782	1900	2018
UT3087 1/2 B	1410	1538	1665	1920	2048	2176
UT3387 1/2 B	1471	1605	1739	2006	2140	2273
UT3687 1/2 B	1531	1670	1810	2090	2230	2369

ITEM	A	B	C	D	E	F
18", 21", 24" DEEP						
UT1287 1/8; 21; 24 R-L	1195	1302	1408	1620	1726	1832
UT1587 1/8; 21; 24 R-L	1249	1361	1473	1695	1807	1919
UT1887 1/8; 21; 24 R-L	1326	1446	1565	1803	1912	2041
UT2187 1/8; 21; 24 R-L	1404	1532	1659	1913	2102	2167
UT2487 1/8; 21; 24 R-L	1478	1612	1747	2016	2281	2284
UT2487 1/8; 21; 24 B	1540	1681	1822	2103	2243	2384
UT2787 1/8; 21; 24 B	1602	1749	1896	2190	2336	2483
UT3087 1/8; 21; 24 B	1725	1885	2044	2362	2521	2681
UT3387 1/8; 21; 24 B	1805	1973	2140	2474	2641	2808
UT3687 1/8; 21; 24 B	1883	2058	2233	2583	2758	2933

- » 18", 21" and 24" deep cabinets available at same price. Indicate depth when ordering.
- » Utility cabinets ship with four shelves in bottom section and two shelves in top section.
- » All tall cabinets ship with built-in toe kick. See Modifications to order loose toe kick.

UTILITY CABINETS — 90" TALL



W: 12, 15, 18, 21, 24
D: 12, 18, 21, 24

W: 24, 27, 30, 33, 36
D: 12, 18, 21, 24

See Modifications to order loose toe.

ITEM	A	B	C	D	E	F
12" DEEP						
UT1290 42 R-L	991	1077	1163	1334	1420	1506
UT1590 42 R-L	1033	1123	1213	1393	1483	1572
UT1890 42 R-L	1093	1189	1285	1477	1573	1669
UT2190 42 R-L	1152	1254	1356	1560	1661	1763
UT2490 42 R-L	1209	1316	1424	1639	1747	1854
UT2490 42 B	1263	1376	1489	1715	1828	1941
UT2790 42 B	1311	1429	1546	1782	1900	2018
UT3090 42 B	1410	1538	1665	1920	2048	2176
UT3390 42 B	1471	1605	1739	2006	2140	2273
UT3690 42 B	1531	1670	1810	2090	2230	2369

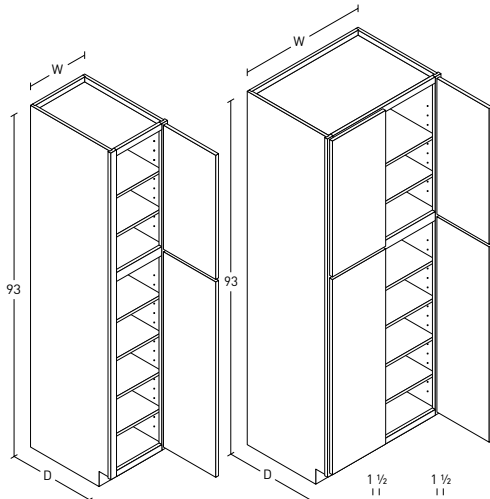
ITEM	A	B	C	D	E	F
18", 21", 24" DEEP						
UT1290 48; 21; 24 R-L	1195	1302	1408	1620	1726	1832
UT1590 48; 21; 24 R-L	1249	1361	1473	1695	1807	1919
UT1890 48; 21; 24 R-L	1326	1446	1565	1803	1912	2041
UT2190 48; 21; 24 R-L	1404	1532	1659	1913	2102	2167
UT2490 48; 21; 24 R-L	1478	1612	1747	2016	2281	2284
UT2490 48; 21; 24 B	1540	1681	1822	2103	2243	2384
UT2790 48; 21; 24 B	1602	1749	1896	2190	2336	2483
UT3090 48; 21; 24 B	1725	1885	2044	2362	2521	2681
UT3390 48; 21; 24 B	1805	1973	2140	2474	2641	2808
UT3690 48; 21; 24 B	1883	2058	2233	2583	2758	2933

» 18", 21" and 24" deep cabinets available at same price. Indicate depth when ordering.

» Utility cabinets ship with four shelves in bottom section and two shelves in top section.

» All tall cabinets ship with built-in toe kick. See Modifications to order loose toe kick.

UTILITY CABINETS — 93" TALL



W: 12, 15, 18, 21, 24
D: 12, 18, 21, 24

W: 24, 27, 30, 33, 36
D: 12, 18, 21, 24

See Modifications to order loose toe.

ITEM	A	B	C	D	E	F
12" DEEP						
UT1293 42 R-L	1057	1150	1242	1427	1519	1611
UT1593 42 R-L	1109	1207	1304	1499	1597	1694
UT1893 42 R-L	1177	1282	1386	1595	1699	1803
UT2193 42 R-L	1238	1349	1459	1680	1790	1901
UT2493 42 R-L	1310	1428	1546	1781	1898	2016
UT2493 42 B	1364	1487	1610	1856	1979	2102
UT2793 42 B	1418	1547	1675	1932	2060	2189
UT3093 42 B	1526	1666	1805	2083	2222	2362
UT3393 42 B	1590	1736	1882	2173	2318	2464
UT3693 42 B	1653	1805	1957	2261	2413	2565

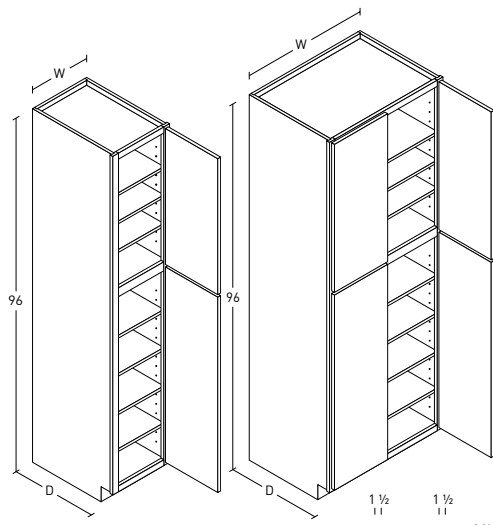
ITEM	A	B	C	D	E	F
18", 21", 24" DEEP						
UT1293 48; 21; 24 R-L	1260	1373	1486	1711	1823	1936
UT1593 48; 21; 24 R-L	1313	1431	1549	1785	1903	2021
UT1893 48; 21; 24 R-L	1394	1520	1646	1898	2024	2150
UT2193 48; 21; 24 R-L	1470	1604	1738	2005	2138	2272
UT2493 48; 21; 24 R-L	1546	1688	1829	2111	2252	2394
UT2493 48; 21; 24 B	1619	1768	1916	2213	2362	2510
UT2793 48; 21; 24 B	1687	1843	1998	2309	2464	2619
UT3093 48; 21; 24 B	1827	1997	2166	2505	2674	2843
UT3393 48; 21; 24 B	1905	2083	2260	2614	2791	2968
UT3693 48; 21; 24 B	1975	2160	2344	2712	2896	3080

» 18", 21" and 24" deep cabinets available at same price. Indicate depth when ordering.

» Utility cabinets ship with four shelves in bottom section and two shelves in top section.

» All tall cabinets ship with built-in toe kick. See Modifications to order loose toe kick.

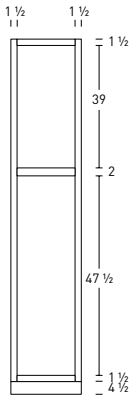
UTILITY CABINETS — 96" TALL



W: 12, 15, 18, 21, 24
D: 12, 18, 21, 24

W: 24, 27, 30, 33, 36
D: 12, 18, 21, 24

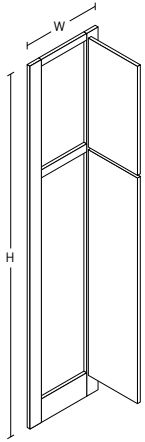
See Modifications to order loose toe.



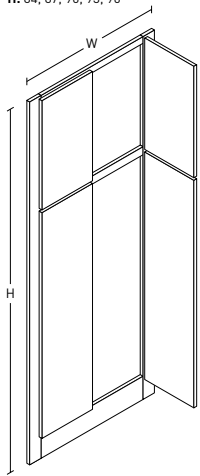
ITEM	A	B	C	D	E	F
12" DEEP						
UT1296 12 R-L	1057	1150	1242	1427	1519	1611
UT1596 12 R-L	1109	1207	1304	1499	1597	1694
UT1896 12 R-L	1177	1282	1386	1595	1699	1803
UT2196 12 R-L	1238	1349	1459	1680	1790	1901
UT2496 12 R-L	1310	1428	1546	1781	1898	2016
UT2496 12 B	1364	1487	1610	1856	1979	2102
UT2796 12 B	1418	1547	1675	1932	2060	2189
UT3096 12 B	1526	1666	1805	2083	2222	2362
UT3396 12 B	1590	1736	1882	2173	2318	2464
UT3696 12 B	1653	1805	1957	2261	2413	2565
18", 21", 24" DEEP						
UT1296 18; 21; 24 R-L	1260	1373	1486	1711	1823	1936
UT1596 18; 21; 24 R-L	1313	1431	1549	1785	1903	2021
UT1896 18; 21; 24 R-L	1394	1520	1646	1898	2024	2150
UT2196 18; 21; 24 R-L	1470	1604	1738	2005	2138	2272
UT2496 18; 21; 24 R-L	1546	1688	1829	2111	2252	2394
UT2496 18; 21; 24 B	1619	1768	1916	2213	2362	2510
UT2796 18; 21; 24 B	1687	1843	1998	2309	2464	2619
UT3096 18; 21; 24 B	1827	1997	2166	2505	2674	2843
UT3396 18; 21; 24 B	1905	2083	2260	2614	2791	2968
UT3696 18; 21; 24 B	1975	2160	2344	2712	2896	3080

- » 18", 21" and 24" deep cabinets available at same price. Indicate depth when ordering.
- » Utility cabinets ship with four shelves in bottom section and three shelves in top section.
- » All tall cabinets ship with built-in toe kick. See Modifications to order loose toe kick.

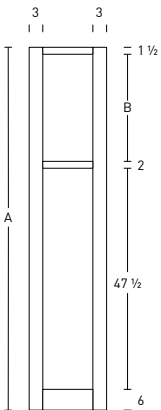
UTILITY FRONTS



W: 18, 21, 24, 27
H: 84, 87, 90, 93, 96



W: 27, 30, 33, 36, 39
H: 84, 87, 90, 93, 96



A	B
84	27
87	30
90	33
93	36
96	39

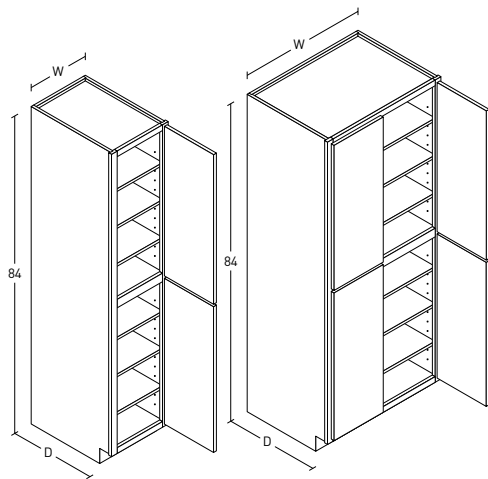
ITEM	A	B	C	D	E	F
84" HIGH						
UF15-1884 R-L	531	585	638	744	797	850
UF18-2184 R-L	566	623	680	793	849	906
UF21-2484 R-L	644	709	773	902	966	1031
UF24-2784 R-L	684	753	821	958	1026	1095
UF24-2784 B	716	788	860	1003	1074	1146
UF27-3084 B	748	823	898	1048	1122	1197
UF30-3384 B	810	891	972	1134	1215	1296
UF33-3684 B	847	932	1017	1186	1271	1356
UF36-3984 B	885	974	1062	1239	1328	1416
87" HIGH						
UF15-1887 R-L	676	744	812	947	1014	1082
UF18-2187 R-L	721	794	866	1010	1082	1154
UF21-2487 R-L	766	843	920	1073	1149	1226
UF24-2787 R-L	810	891	972	1134	1215	1296
UF24-2787 B	848	933	1018	1188	1272	1357
UF27-3087 B	885	974	1062	1239	1328	1416
UF30-3387 B	959	1055	1151	1343	1439	1535
UF33-3687 B	1004	1105	1205	1406	1506	1607
UF36-3987 B	1048	1153	1258	1468	1572	1677
90" HIGH						
UF15-1890 R-L	676	744	812	947	1014	1082
UF18-2190 R-L	721	794	866	1010	1082	1154
UF21-2490 R-L	766	843	920	1073	1149	1226
UF24-2790 R-L	810	891	972	1134	1215	1296
UF24-2790 B	848	933	1018	1188	1272	1357
UF27-3090 B	885	974	1062	1239	1328	1416
UF30-3390 B	959	1055	1151	1343	1439	1535
UF33-3690 B	1004	1105	1205	1406	1506	1607
UF36-3990 B	1048	1153	1258	1468	1572	1677
93" HIGH						
UF15-1893 R-L	732	806	879	1025	1098	1172
UF18-2193 R-L	784	863	941	1098	1176	1255
UF21-2493 R-L	831	915	998	1164	1247	1330
UF24-2793 R-L	884	973	1061	1238	1326	1415
UF24-2793 B	925	1018	1110	1295	1388	1480
UF27-3093 B	964	1061	1157	1350	1446	1543
UF30-3393 B	1046	1151	1256	1465	1569	1674
UF33-3693 B	1093	1203	1312	1531	1640	1749
UF36-3993 B	1142	1257	1371	1599	1713	1828
96" HIGH						
UF15-1896 R-L	732	806	879	1025	1098	1172
UF18-2196 R-L	784	863	941	1098	1176	1255
UF21-2496 R-L	831	915	998	1164	1247	1330
UF24-2796 R-L	884	973	1061	1238	1326	1415
UF24-2796 B	925	1018	1110	1295	1388	1480
UF27-3096 B	964	1061	1157	1350	1446	1543
UF30-3396 B	1046	1151	1256	1465	1569	1674
UF33-3696 B	1093	1203	1312	1531	1640	1749
UF36-3996 B	1142	1257	1371	1599	1713	1828

- » Utility front stiles may be trimmed 1 1/2" on both sides for a total of 3". Face frame dimensions are pictured.
- » Flush toe kick standard on utility fronts.

Tall & Utility Cabinets | Standard

PREFERRED
BY KARMAN

PANTRY CABINETS — 84" TALL



W: 12, 15, 18, 21, 24
D: 12, 18, 21, 24

W: 24, 27, 30, 33, 36
D: 12, 18, 21, 24

See Modifications to order loose toe.

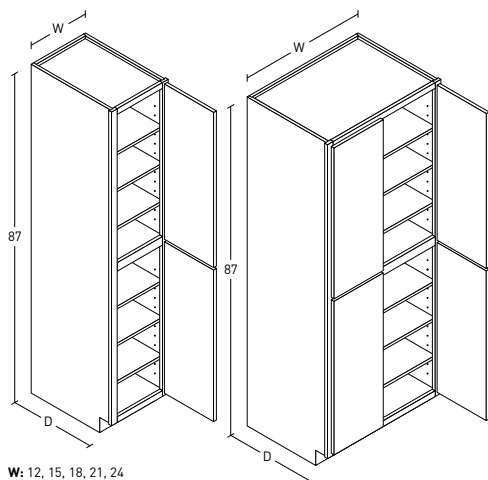
ITEM	A	B	C	D	E	F
12" DEEP						
PC1284 1/2 R-L	796	863	929	1061	1127	1194
PC1584 1/2 R-L	838	909	979	1120	1190	1261
PC1884 1/2 R-L	914	992	1070	1226	1304	1382
PC2184 1/2 R-L	990	1076	1162	1333	1418	1505
PC2484 1/2 R-L	1043	1134	1225	1408	1498	1589
PC2484 1/2 B	1085	1181	1276	1466	1561	1656
PC2784 1/2 B	1127	1226	1326	1525	1624	1723
PC3084 1/2 B	1209	1316	1424	1639	1747	1854
PC3384 1/2 B	1260	1372	1486	1711	1823	1936
PC3684 1/2 B	1312	1428	1548	1784	1901	2019
18", 21", 24" DEEP						
PC1284 18; 21; 24 R-L	1021	1110	1199	1376	1465	1554
PC1584 18; 21; 24 R-L	1063	1156	1249	1434	1528	1621
PC1884 18; 21; 24 R-L	1119	1218	1316	1513	1612	1710
PC2184 18; 21; 24 R-L	1179	1283	1385	1597	1702	1806
PC2484 18; 21; 24 R-L	1238	1348	1459	1680	1790	1900
PC2484 18; 21; 24 B	1282	1397	1512	1742	1856	1971
PC2784 18; 21; 24 B	1325	1444	1563	1801	1921	2039
PC3084 18; 21; 24 B	1408	1535	1662	1917	2045	2173
PC3384 18; 21; 24 B	1468	1601	1735	2002	2135	2269
PC3684 18; 21; 24 B	1527	1666	1775	2083	2224	2363

» 18", 21" and 24" deep cabinets available at same price. Indicate depth when ordering.

» Pantry cabinets ship with three shelves in bottom section and three shelves in top section.

» All tall cabinets ship with built-in toe kick. See Modifications to order loose toe kick.

PANTRY CABINETS — 87" TALL



W: 12, 15, 18, 21, 24
D: 12, 18, 21, 24

W: 24, 27, 30, 33, 36
D: 12, 18, 21, 24

See Modifications to order loose toe.

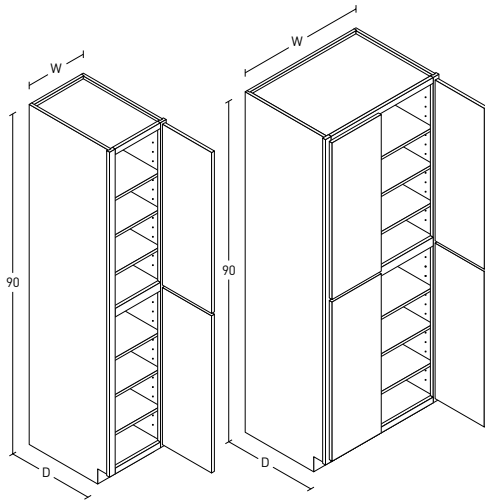
ITEM	A	B	C	D	E	F
12" DEEP						
PC1287 1/2 R-L	991	1077	1163	1334	1420	1506
PC1587 1/2 R-L	1033	1123	1213	1393	1483	1572
PC1887 1/2 R-L	1093	1189	1285	1477	1573	1669
PC2187 1/2 R-L	1152	1254	1356	1560	1661	1763
PC2487 1/2 R-L	1209	1316	1424	1639	1747	1854
PC2487 1/2 B	1263	1376	1489	1715	1828	1941
PC2787 1/2 B	1311	1429	1546	1782	1900	2018
PC3087 1/2 B	1410	1538	1665	1920	2048	2176
PC3387 1/2 B	1471	1605	1739	2006	2140	2273
PC3687 1/2 B	1531	1670	1810	2090	2230	2369
18", 21", 24" DEEP						
PC1287 18; 21; 24 R-L	1195	1302	1408	1620	1726	1832
PC1587 18; 21; 24 R-L	1249	1361	1473	1695	1807	1919
PC1887 18; 21; 24 R-L	1326	1446	1565	1803	1912	2041
PC2187 18; 21; 24 R-L	1404	1532	1659	1913	2102	2167
PC2487 18; 21; 24 R-L	1478	1612	1747	2016	2281	2284
PC2487 18; 21; 24 B	1540	1681	1822	2103	2243	2384
PC2787 18; 21; 24 B	1602	1749	1896	2190	2336	2483
PC3087 18; 21; 24 B	1725	1885	2044	2362	2521	2681
PC3387 18; 21; 24 B	1805	1973	2140	2474	2641	2808
PC3687 18; 21; 24 B	1883	2058	2233	2583	2758	2933

» 18", 21" and 24" deep cabinets available at same price. Indicate depth when ordering.

» Pantry cabinets ship with three shelves in bottom section and three shelves in top section.

» All tall cabinets ship with built-in toe kick. See Modifications to order loose toe kick.

PANTRY CABINETS — 90" TALL



W: 12, 15, 18, 21, 24
D: 12, 18, 21, 24

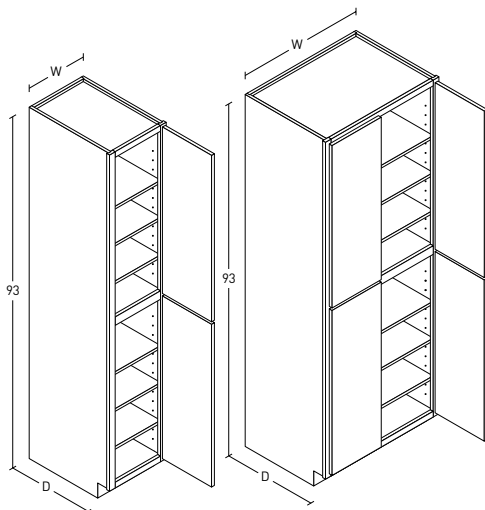
W: 24, 27, 30, 33, 36
D: 12, 18, 21, 24

See Modifications to order loose toe.

ITEM	A	B	C	D	E	F
12" DEEP						
PC1290 42 R-L	991	1077	1163	1334	1420	1506
PC1590 42 R-L	1033	1123	1213	1393	1483	1572
PC1890 42 R-L	1093	1189	1285	1477	1573	1669
PC2190 42 R-L	1152	1254	1356	1560	1661	1763
PC2490 42 R-L	1209	1316	1424	1639	1747	1854
PC2490 42 B	1263	1376	1489	1715	1828	1941
PC2790 42 B	1311	1429	1546	1782	1900	2018
PC3090 42 B	1410	1538	1665	1920	2048	2176
PC3390 42 B	1471	1605	1739	2006	2140	2273
PC3690 42 B	1531	1670	1810	2090	2230	2369
18", 21", 24" DEEP						
PC1290 48; 21; 24 R-L	1195	1302	1408	1620	1726	1832
PC1590 48; 21; 24 R-L	1249	1361	1473	1695	1807	1919
PC1890 48; 21; 24 R-L	1326	1446	1565	1803	1912	2041
PC2190 48; 21; 24 R-L	1404	1532	1659	1913	2102	2167
PC2490 48; 21; 24 R-L	1478	1612	1747	2016	2281	2284
PC2490 48; 21; 24 B	1540	1681	1822	2103	2243	2384
PC2790 48; 21; 24 B	1602	1749	1896	2190	2336	2483
PC3090 48; 21; 24 B	1725	1885	2044	2362	2521	2681
PC3390 48; 21; 24 B	1805	1973	2140	2474	2641	2808
PC3690 48; 21; 24 B	1883	2058	2233	2583	2758	2933

- » 18", 21" and 24" deep cabinets available at same price. Indicate depth when ordering.
- » Pantry cabinets ship with three shelves in bottom section and three shelves in top section.
- » All tall cabinets ship with built-in toe kick. See Modifications to order loose toe kick.

PANTRY CABINETS — 93" TALL



W: 12, 15, 18, 21, 24
D: 12, 18, 21, 24

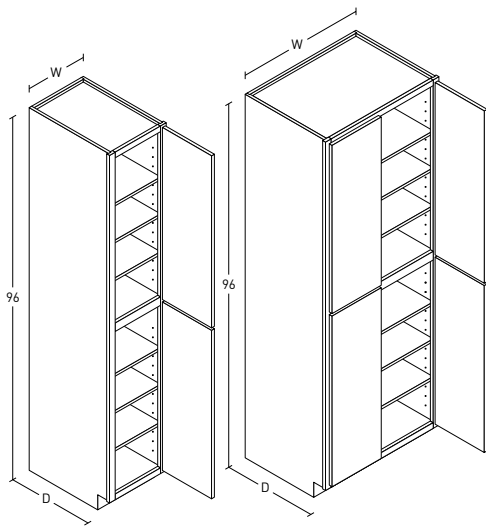
W: 24, 27, 30, 33, 36
D: 12, 18, 21, 24

See Modifications to order loose toe.

ITEM	A	B	C	D	E	F
12" DEEP						
PC1293 42 R-L	1057	1150	1242	1427	1519	1611
PC1593 42 R-L	1109	1207	1304	1499	1597	1694
PC1893 42 R-L	1177	1282	1386	1595	1699	1803
PC2193 42 R-L	1238	1349	1459	1680	1790	1901
PC2493 42 R-L	1310	1428	1546	1781	1898	2016
PC2493 42 B	1364	1487	1610	1856	1979	2102
PC2793 42 B	1418	1547	1675	1932	2060	2189
PC3093 42 B	1526	1666	1805	2083	2222	2362
PC3393 42 B	1590	1736	1882	2173	2318	2464
PC3693 42 B	1653	1805	1957	2261	2413	2565
18", 21", 24" DEEP						
PC1293 48; 21; 24 R-L	1260	1373	1486	1711	1823	1936
PC1593 48; 21; 24 R-L	1313	1431	1549	1785	1903	2021
PC1893 48; 21; 24 R-L	1394	1520	1646	1898	2024	2150
PC2193 48; 21; 24 R-L	1470	1604	1738	2005	2138	2272
PC2493 48; 21; 24 R-L	1546	1688	1829	2111	2252	2394
PC2493 48; 21; 24 B	1619	1768	1916	2213	2362	2510
PC2793 48; 21; 24 B	1687	1843	1998	2309	2464	2619
PC3093 48; 21; 24 B	1827	1997	2166	2505	2674	2843
PC3393 48; 21; 24 B	1905	2083	2260	2614	2791	2968
PC3693 48; 21; 24 B	1975	2160	2344	2712	2896	3080

- » 18", 21" and 24" deep cabinets available at same price. Indicate depth when ordering.
- » Pantry cabinets ship with three shelves in bottom section and three shelves in top section.
- » All tall cabinets ship with built-in toe kick. See Modifications to order loose toe kick.

PANTRY CABINETS — 96" TALL



W: 12, 15, 18, 21, 24
D: 12, 18, 21, 24

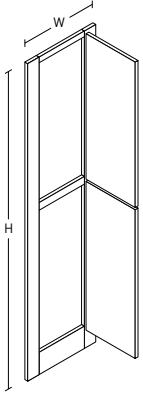
W: 24, 27, 30, 33, 36
D: 12, 18, 21, 24

See Modifications to order loose toe.

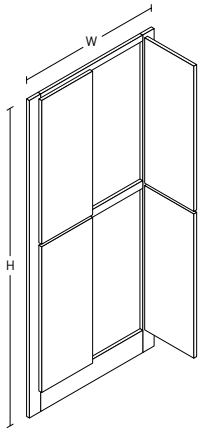
ITEM	A	B	C	D	E	F
12" DEEP						
PC1296 12 R-L	1057	1150	1242	1427	1519	1611
PC1596 12 R-L	1109	1207	1304	1499	1597	1694
PC1896 12 R-L	1177	1282	1386	1595	1699	1803
PC2196 12 R-L	1238	1349	1459	1680	1790	1901
PC2496 12 R-L	1310	1428	1546	1781	1898	2016
PC2496 12 B	1364	1487	1610	1856	1979	2102
PC2796 12 B	1418	1547	1675	1932	2060	2189
PC3096 12 B	1526	1666	1805	2083	2222	2362
PC3396 12 B	1590	1736	1882	2173	2318	2464
PC3696 12 B	1653	1805	1957	2261	2413	2565
18", 21", 24" DEEP						
PC1296 18; 21; 24 R-L	1260	1373	1486	1711	1823	1936
PC1596 18; 21; 24 R-L	1313	1431	1549	1785	1903	2021
PC1896 18; 21; 24 R-L	1394	1520	1646	1898	2024	2150
PC2196 18; 21; 24 R-L	1470	1604	1738	2005	2138	2272
PC2496 18; 21; 24 R-L	1546	1688	1829	2111	2252	2394
PC2496 18; 21; 24 B	1619	1768	1916	2213	2362	2510
PC2796 18; 21; 24 B	1687	1843	1998	2309	2464	2619
PC3096 18; 21; 24 B	1827	1997	2166	2505	2674	2843
PC3396 18; 21; 24 B	1905	2083	2260	2614	2791	2968
PC3696 18; 21; 24 B	1975	2160	2344	2712	2896	3080

- » 18", 21" and 24" deep cabinets available at same price. Indicate depth when ordering.
- » Pantry cabinets ship with three shelves in bottom section and three shelves in top section.
- » All tall cabinets ship with built-in toe kick. See Modifications to order loose toe kick.

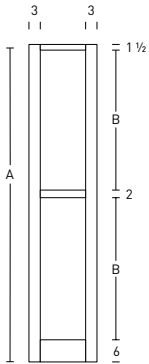
PANTRY FRONTS



W: 18, 21, 24, 27
H: 84, 87, 90, 93, 96



W: 27, 30, 33, 36, 39
H: 84, 87, 90, 93, 96



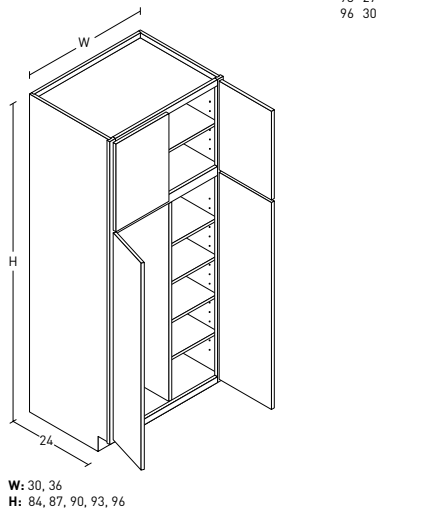
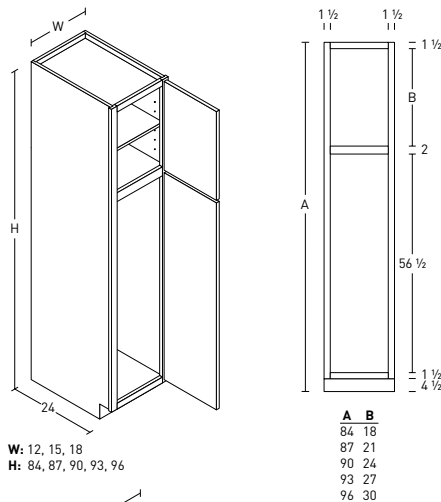
A	B
84	37 1/4
87	38 3/4
90	40 1/4
93	41 3/4
96	43 1/4

ITEM	A	B	C	D	E	F
84" HIGH						
PF15-1884 R-L	531	585	638	744	797	850
PF18-2184 R-L	566	623	680	793	849	906
PF21-2484 R-L	644	709	773	902	966	1031
PF24-2784 R-L	684	753	821	958	1026	1095
PF24-2784 B	716	788	860	1003	1074	1146
PF27-3084 B	748	823	898	1048	1122	1197
PF30-3384 B	810	891	972	1134	1215	1296
PF33-3684 B	847	932	1017	1186	1271	1356
PF36-3984 B	885	974	1062	1239	1328	1416
87" HIGH						
PF15-1887 R-L	676	744	812	947	1014	1082
PF18-2187 R-L	721	794	866	1010	1082	1154
PF21-2487 R-L	766	843	920	1073	1149	1226
PF24-2787 R-L	810	891	972	1134	1215	1296
PF24-2787 B	848	933	1018	1188	1272	1357
PF27-3087 B	885	974	1062	1239	1328	1416
PF30-3387 B	959	1055	1151	1343	1439	1535
PF33-3687 B	1004	1105	1205	1406	1506	1607
PF36-3987 B	1048	1153	1258	1468	1572	1677
90" HIGH						
PF15-1890 R-L	676	744	812	947	1014	1082
PF18-2190 R-L	721	794	866	1010	1082	1154
PF21-2490 R-L	766	843	920	1073	1149	1226
PF24-2790 R-L	810	891	972	1134	1215	1296
PF24-2790 B	848	933	1018	1188	1272	1357
PF27-3090 B	885	974	1062	1239	1328	1416
PF30-3390 B	959	1055	1151	1343	1439	1535
PF33-3690 B	1004	1105	1205	1406	1506	1607
PF36-3990 B	1048	1153	1258	1468	1572	1677
93" HIGH						
PF15-1893 R-L	732	806	879	1025	1098	1172
PF18-2193 R-L	784	863	941	1098	1176	1255
PF21-2493 R-L	831	915	998	1164	1247	1330
PF24-2793 R-L	884	973	1061	1238	1326	1415
PF24-2793 B	925	1018	1110	1295	1388	1480
PF27-3093 B	964	1061	1157	1350	1446	1543
PF30-3393 B	1046	1151	1256	1465	1569	1674
PF33-3693 B	1093	1203	1312	1531	1640	1749
PF36-3993 B	1142	1257	1371	1599	1713	1828
96" HIGH						
PF15-1896 R-L	732	806	879	1025	1098	1172
PF18-2196 R-L	784	863	941	1098	1176	1255
PF21-2496 R-L	831	915	998	1164	1247	1330
PF24-2796 R-L	884	973	1061	1238	1326	1415
PF24-2796 B	925	1018	1110	1295	1388	1480
PF27-3096 B	964	1061	1157	1350	1446	1543
PF30-3396 B	1046	1151	1256	1465	1569	1674
PF33-3696 B	1093	1203	1312	1531	1640	1749
PF36-3996 B	1142	1257	1371	1599	1713	1828

» Pantry front stiles may be trimmed 1 1/2" on both sides for a total of 3". Face frame dimensions are pictured.

» Flush toe kick standard on utility fronts.

PANTRY BROOM CABINETS

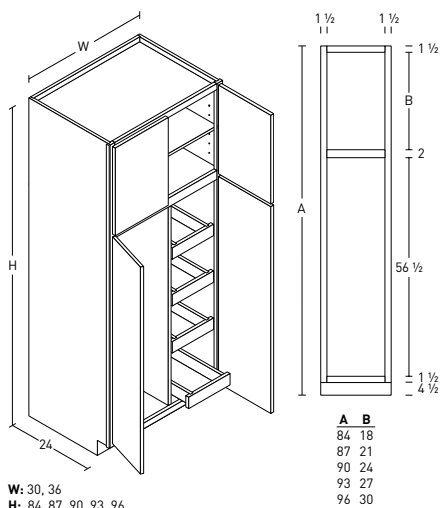


See Modifications to order loose toe.

ITEM	SHELVES	A	B	C	D	E	F
84" HIGH							
PB1284 -24 R-L	1	887	976	1065	1242	1331	1420
PB1584 -24 R-L	1	929	1022	1115	1301	1394	1487
PB1884 -24 R-L	1	985	1084	1182	1379	1478	1576
PB3084 -24 B	5	1599	1759	1919	2239	2399	2559
PB3684 -24 B	5	1718	1890	2062	2406	2577	2749
87" HIGH							
PB1287 -24 R-L	1	1066	1173	1280	1493	1599	1706
PB1587 -24 R-L	1	1115	1227	1338	1561	1673	1784
PB1887 -24 R-L	1	1192	1312	1431	1669	1788	1908
PB3087 -24 B	5	1916	2108	2300	2683	2874	3066
PB3687 -24 B	5	2074	2282	2489	2904	3111	3319
90" HIGH							
PB1290 -24 R-L	2	1066	1173	1280	1493	1599	1706
PB1590 -24 R-L	2	1115	1227	1338	1561	1673	1784
PB1890 -24 R-L	2	1192	1312	1431	1669	1788	1908
PB3090 -24 B	6	1916	2108	2300	2683	2874	3066
PB3690 -24 B	6	2074	2282	2489	2904	3111	3319
93" HIGH							
PB1293 -24 R-L	2	1127	1240	1353	1578	1691	1804
PB1593 -24 R-L	2	1179	1297	1415	1651	1769	1887
PB1893 -24 R-L	2	1260	1386	1512	1764	1890	2016
PB3093 -24 B	6	2018	2220	2422	2826	3027	3229
PB3693 -24 B	6	2171	2389	2606	3040	3257	3474
96" HIGH							
PB1296 -24 R-L	2	1127	1240	1353	1578	1691	1804
PB1596 -24 R-L	2	1179	1297	1415	1651	1769	1887
PB1896 -24 R-L	2	1260	1386	1512	1764	1890	2016
PB3096 -24 B	6	2018	2220	2422	2826	3027	3229
PB3696 -24 B	6	2171	2389	2606	3040	3257	3474

- » 12", 15", and 18" wide pantry broom cabinets have open cavity in bottom section.
- » 30" and 36" wide cabinets have a 3/4" centered partition with open cavity on left and shelves on right.
- » All tall cabinets ship with built-in toe kick. See Modifications to order loose toe kick.

PANTRY BROOM CABINETS WITH ROLL-OUT TRAYS

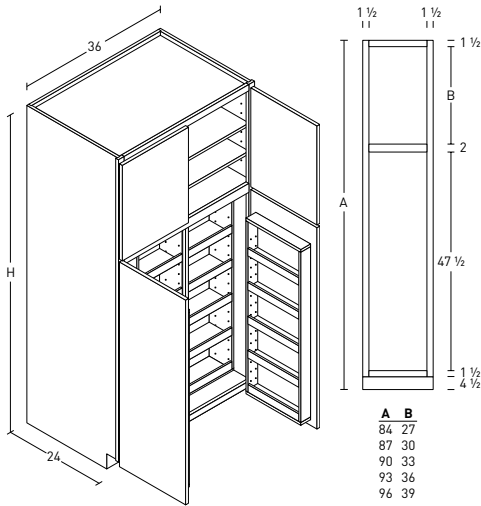


See Modifications to order loose toe.

ITEM	SHELVES	A	B	C	D	E	F
84" HIGH							
PB3084 -24 B 4RT	1	1969	2116	2262	2555	2702	2848
PB3684 -24 B 4RT	1	2088	2247	2405	2722	2880	3039
87" HIGH							
PB3087 -24 B 4RT	1	2286	2465	2643	2999	3177	3356
PB3687 -24 B 4RT	1	2444	2638	2832	3220	3414	3608
90" HIGH							
PB3090 -24 B 4RT	2	2286	2465	2643	2999	3177	3356
PB3690 -24 B 4RT	2	2444	2638	2832	3220	3414	3608
93" HIGH							
PB3093 -24 B 4RT	2	2388	2577	2765	3142	3330	3519
PB3693 -24 B 4RT	2	2541	2745	2949	3356	3560	3764
96" HIGH							
PB3096 -24 B 4RT	2	2388	2577	2765	3142	3330	3519
PB3696 -24 B 4RT	2	2541	2745	2949	3356	3560	3764

- » Comes with a 3/4" centered partition with open cavity on left and roll-out trays on right.
- » All tall cabinets ship with built-in toe kick. See Modifications to order loose toe kick.

SUPER PANTRY TALL CABINETS



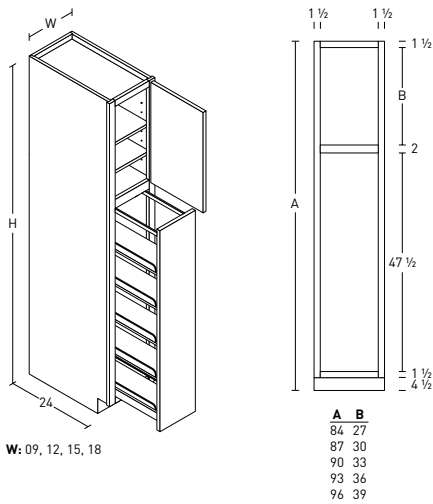
H: 84, 87, 90, 93, 96

See Modifications to order loose toe.

ITEM	A	B	C	D	E	F
PADS3684 B	3481	3639	3797	4113	4271	4429
PADS3687 B	3893	4093	4292	4690	4889	5089
PADS3690 B	3893	4093	4292	4690	4889	5089
PADS3693 B	4004	4215	4425	4846	5056	5266
PADS3696 B	4004	4215	4425	4846	5056	5266

- » Super pantry cabinet includes two swing-out racks, two adjustable door racks, four shallow shelves in bottom section and two shelves in top section.
- » All tall cabinets ship with built-in toe kick. See Modifications to order loose toe kick.
- » Openings line up with standard utility cabinet.
- » Cabinet requires two people for handling.

UTILITY PULL-OUT CABINETS



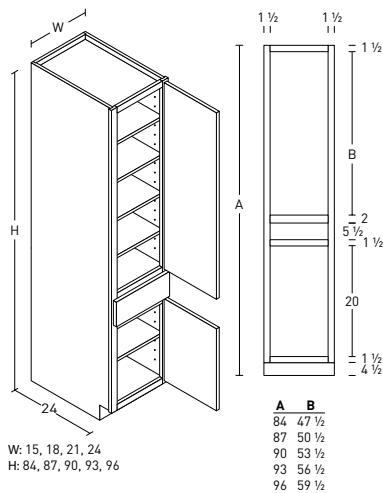
W: 09, 12, 15, 18

See Modifications to order loose toe.

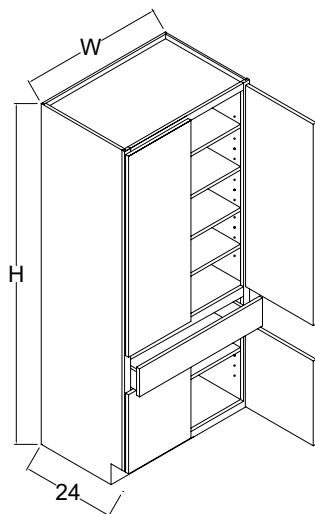
ITEM	A	B	C	D	E	F
84" HIGH						
UTP0984 -24 R-L	2078	2167	2256	2433	2522	2611
UTP1284 -24 R-L	2078	2167	2256	2433	2522	2611
UTP1584 -24 R-L	2241	2334	2427	2613	2706	2799
UTP1884 -24 R-L	2423	2522	2620	2817	2916	3014
87" HIGH						
UTP0987 -24 R-L	2252	2359	2465	2677	2783	2889
UTP1287 -24 R-L	2252	2359	2465	2677	2783	2889
UTP1587 -24 R-L	2427	2539	2650	2873	2985	3096
UTP1887 -24 R-L	2630	2750	2869	3107	3226	3346
90" HIGH						
UTP0990 -24 R-L	2252	2359	2465	2677	2783	2889
UTP1290 -24 R-L	2252	2359	2465	2677	2783	2889
UTP1590 -24 R-L	2427	2539	2650	2873	2985	3096
UTP1890 -24 R-L	2630	2750	2869	3107	3226	3346
93" HIGH						
UTP0993 -24 R-L	2317	2430	2543	2768	2880	2993
UTP1293 -24 R-L	2317	2430	2543	2768	2880	2993
UTP1593 -24 R-L	2491	2609	2727	2963	3081	3199
UTP1893 -24 R-L	2698	2824	2950	3202	3328	3454
96" HIGH						
UTP0996 -24 R-L	2317	2430	2543	2768	2880	2993
UTP1296 -24 R-L	2317	2430	2543	2768	2880	2993
UTP1596 -24 R-L	2491	2609	2727	2963	3081	3199
UTP1896 -24 R-L	2698	2824	2950	3202	3328	3454

- » Not available in cabinets less than 24" deep.
- » Openings line up with standard utility cabinet.
- » R-L indicates hinging of top section.

TALL UTILITY BASE BOTTOM CABINETS



See Modifications to order loose toe.

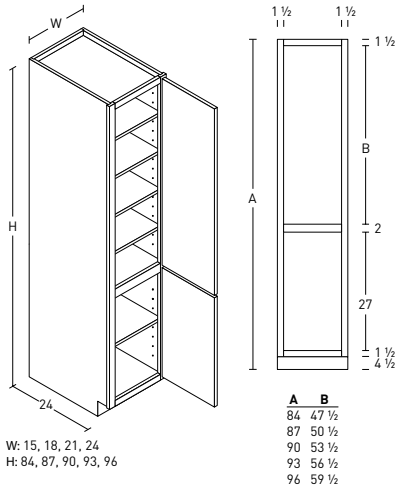


See Modifications to order loose toe.

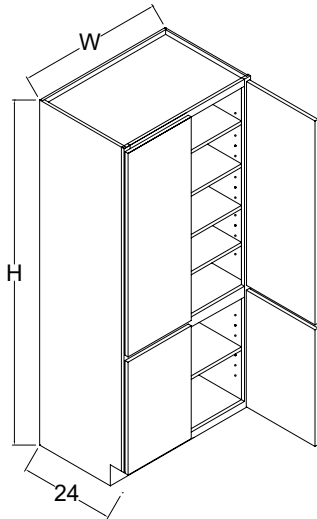
ITEM	A	B	C	D	E	F
84" HIGH						
TUB1584 R-L	929	1017	1105	1280	1367	1455
TUB1884 R-L	1005	1101	1196	1386	1481	1577
TUB2184 R-L	1081	1184	1287	1493	1595	1698
TUB2484 R-L	1238	1348	1459	1680	1790	1900
TUB2484 B	1282	1397	1512	1742	1856	1971
TUB2784 B	1325	1444	1563	1801	1921	2039
TUB3084 B	1408	1535	1662	1917	2045	2173
TUB3384 B	1468	1601	1735	2002	2135	2269
TUB3684 B	1527	1666	1775	2083	2224	2363
87" HIGH						
TUB1587 R-L	1124	1232	1339	1553	1660	1767
TUB1887 R-L	1184	1298	1411	1637	1750	1863
TUB2187 R-L	1243	1362	1481	1719	1838	1957
TUB2487 R-L	1478	1612	1747	2016	2281	2284
TUB2487 B	1540	1681	1822	2103	2243	2384
TUB2787 B	1602	1749	1896	2190	2336	2483
TUB3087 B	1725	1885	2044	2362	2521	2681
TUB3387 B	1805	1973	2140	2474	2641	2808
TUB3687 B	1883	2058	2233	2583	2758	2933
90" HIGH						
TUB1590 R-L	1124	1232	1339	1553	1660	1767
TUB1890 R-L	1184	1298	1411	1637	1750	1863
TUB2190 R-L	1243	1362	1481	1719	1838	1957
TUB2490 R-L	1478	1612	1747	2016	2281	2284
TUB2490 B	1540	1681	1822	2103	2243	2384
TUB2790 B	1602	1749	1896	2190	2336	2483
TUB3090 B	1725	1885	2044	2362	2521	2681
TUB3390 B	1805	1973	2140	2474	2641	2808
TUB3690 B	1883	2058	2233	2583	2758	2933
93" HIGH						
TUB1593 R-L	1200	1315	1430	1659	1774	1889
TUB1893 R-L	1268	1390	1511	1754	1876	1997
TUB2193 R-L	1329	1457	1585	1840	1967	2095
TUB2493 R-L	1546	1688	1829	2111	2252	2394
TUB2493 B	1619	1768	1916	2213	2362	2510
TUB2793 B	1687	1843	1998	2309	2464	2619
TUB3093 B	1827	1997	2166	2505	2674	2843
TUB3393 B	1905	2083	2260	2614	2791	2968
TUB3693 B	1975	2160	2344	2712	2896	3080
96" HIGH						
TUB1596 R-L	1200	1315	1430	1659	1774	1889
TUB1896 R-L	1268	1390	1511	1754	1876	1997
TUB2196 R-L	1329	1457	1585	1840	1967	2095
TUB2496 R-L	1546	1688	1829	2111	2252	2394
TUB2496 B	1619	1768	1916	2213	2362	2510
TUB2796 B	1687	1843	1998	2309	2464	2619
TUB3096 B	1827	1997	2166	2505	2674	2843
TUB3396 B	1905	2083	2260	2614	2791	2968
TUB3696 B	1975	2160	2344	2712	2896	3080

- » Bottom section matches a base cabinet. Four shelves in top section, one in bottom.
- » All utility cabinets ship with built-in toe kick. See Modifications to order loose toe kick.

TALL UTILITY FHD BOTTOM CABINETS



See Modifications to order loose toe.



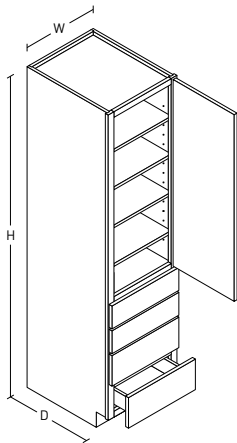
W: 24, 27, 30, 33, 36
H: 84, 87, 90, 93, 96

See Modifications to order loose toe.

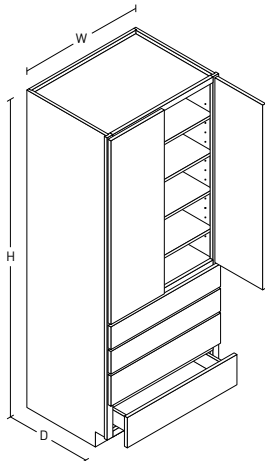
ITEM	A	B	C	D	E	F
84" HIGH						
TUF1584 R-L	838	922	1006	1174	1257	1341
TUF1884 R-L	914	1006	1097	1280	1371	1463
TUF2184 R-L	990	1089	1188	1386	1485	1584
TUF2484 R-L	1238	1348	1459	1680	1790	1900
TUF2484 B	1282	1397	1512	1742	1856	1971
TUF2784 B	1325	1444	1563	1801	1921	2039
TUF3084 B	1408	1535	1662	1917	2045	2173
TUF3384 B	1468	1601	1735	2002	2135	2269
TUF3684 B	1527	1666	1775	2083	2224	2363
87" HIGH						
TUF1587 R-L	1033	1137	1240	1447	1550	1653
TUF1887 R-L	1093	1203	1312	1531	1640	1749
TUF2187 R-L	1152	1268	1383	1613	1728	1844
TUF2487 R-L	1478	1612	1747	2016	2281	2284
TUF2487 B	1540	1681	1822	2103	2243	2384
TUF2787 B	1602	1749	1896	2190	2336	2483
TUF3087 B	1725	1885	2044	2362	2521	2681
TUF3387 B	1805	1973	2140	2474	2641	2808
TUF3687 B	1883	2058	2233	2583	2758	2933
90" HIGH						
TUF1590 R-L	1033	1137	1240	1447	1550	1653
TUF1890 R-L	1093	1203	1312	1531	1640	1749
TUF2190 R-L	1152	1268	1383	1613	1728	1844
TUF2490 R-L	1478	1612	1747	2016	2281	2284
TUF2490 B	1540	1681	1822	2103	2243	2384
TUF2790 B	1602	1749	1896	2190	2336	2483
TUF3090 B	1725	1885	2044	2362	2521	2681
TUF3390 B	1805	1973	2140	2474	2641	2808
TUF3690 B	1883	2058	2233	2583	2758	2933
93" HIGH						
TUF1593 R-L	1109	1220	1331	1553	1664	1775
TUF1893 R-L	1177	1295	1413	1648	1766	1884
TUF2193 R-L	1238	1362	1486	1734	1857	1981
TUF2493 R-L	1546	1688	1829	2111	2252	2394
TUF2493 B	1619	1768	1916	2213	2362	2510
TUF2793 B	1687	1843	1998	2309	2464	2619
TUF3093 B	1827	1997	2166	2505	2674	2843
TUF3393 B	1905	2083	2260	2614	2791	2968
TUF3693 B	1975	2160	2344	2712	2896	3080
96" HIGH						
TUF1596 R-L	1109	1220	1331	1553	1664	1775
TUF1896 R-L	1177	1295	1413	1648	1766	1884
TUF2196 R-L	1238	1362	1486	1734	1857	1981
TUF2496 R-L	1546	1688	1829	2111	2252	2394
TUF2496 B	1619	1768	1916	2213	2362	2510
TUF2796 B	1687	1843	1998	2309	2464	2619
TUF3096 B	1827	1997	2166	2505	2674	2843
TUF3396 B	1905	2083	2260	2614	2791	2968
TUF3696 B	1975	2160	2344	2712	2896	3080

- » Bottom section matches a base cabinet with a full height door. Four shelves in top section, one in bottom.
- » All utility cabinets ship with built-in toe kick. See Modifications to order loose toe kick.

UTILITY FOUR-DRAWER CABINETS



W: 18, 21, 24
D: 18, 21, 24
H: 84, 87, 90, 93, 96



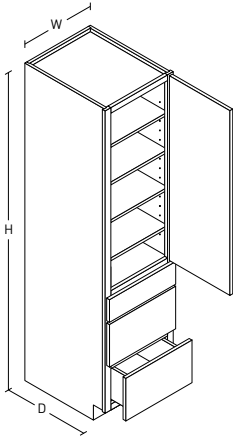
W: 24, 27, 30
D: 18, 21, 24
H: 84, 87, 90, 93, 96

See Modifications to order loose toe.

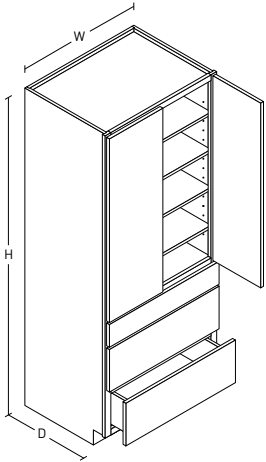
ITEM	A	B	C	D	E	F
84" HIGH						
UT4D1884 48; 21; 24 R-L	1490	1618	1746	2002	2129	2257
UT4D2184 48; 21; 24 R-L	1583	1721	1858	2132	2269	2406
UT4D2484 48; 21; 24 R-L	1659	1804	1949	2238	2383	2528
UT4D2484 48; 21; 24 B	1697	1846	1994	2291	2440	2588
UT4D2784 48; 21; 24 B	1731	1883	2035	2339	2491	2643
UT4D3084 48; 21; 24 B	1801	1960	2119	2437	2596	2755
87" HIGH						
UT4D1887 48; 21; 24 R-L	1709	1859	2009	2308	2458	2608
UT4D2187 48; 21; 24 R-L	1820	1981	2142	2464	2624	2785
UT4D2487 48; 21; 24 R-L	1909	2079	2249	2588	2758	2928
UT4D2487 48; 21; 24 B	1951	2125	2299	2647	2821	2995
UT4D2787 48; 21; 24 B	1993	2172	2350	2706	2884	3062
UT4D3087 48; 21; 24 B	2075	2262	2448	2821	3007	3193
90" HIGH						
UT4D1890 48; 21; 24 R-L	1709	1859	2009	2308	2458	2608
UT4D2190 48; 21; 24 R-L	1820	1981	2142	2464	2624	2785
UT4D2490 48; 21; 24 R-L	1909	2079	2249	2588	2758	2928
UT4D2490 48; 21; 24 B	1951	2125	2299	2647	2821	2995
UT4D2790 48; 21; 24 B	1993	2172	2350	2706	2884	3062
UT4D3090 48; 21; 24 B	2075	2262	2448	2821	3007	3193
93" HIGH						
UT4D1893 48; 21; 24 R-L	1782	1939	2096	2410	2567	2724
UT4D2193 48; 21; 24 R-L	1885	2053	2220	2555	2722	2889
UT4D2493 48; 21; 24 R-L	1983	2161	2338	2692	2869	3046
UT4D2493 48; 21; 24 B	2025	2207	2388	2751	2932	3113
UT4D2793 48; 21; 24 B	2067	2253	2438	2809	2995	3180
UT4D3093 48; 21; 24 B	2149	2343	2537	2924	3118	3312
96" HIGH						
UT4D1896 48; 21; 24 R-L	1782	1939	2096	2410	2567	2724
UT4D2196 48; 21; 24 R-L	1885	2053	2220	2555	2722	2889
UT4D2496 48; 21; 24 R-L	1983	2161	2338	2692	2869	3046
UT4D2496 48; 21; 24 B	2025	2207	2388	2751	2932	3113
UT4D2796 48; 21; 24 B	2067	2253	2438	2809	2995	3180
UT4D3096 48; 21; 24 B	2149	2343	2537	2924	3118	3312

- » 18", 21" and 24" deep cabinets available at same price. Indicate depth when ordering.
- » Utility drawer cabinets ship with four shelves in top section.
- » Drawer configuration matches 4-drawer base.

UTILITY THREE-DRAWER CABINETS



W: 18, 21, 24
D: 18, 21, 24
H: 84, 87, 90, 93, 96



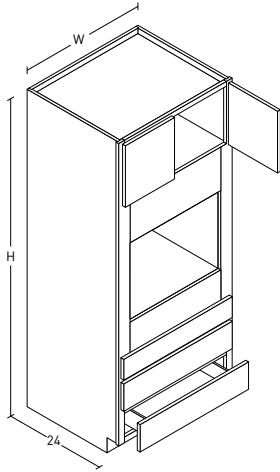
W: 24, 27, 30
D: 18, 21, 24
H: 84, 87, 90, 93, 96

See Modifications to order loose toe.

ITEM	A	B	C	D	E	F
84" HIGH						
UT3D1884 48; 21; 24 R-L	1490	1618	1746	2002	2129	2257
UT3D2184 48; 21; 24 R-L	1583	1721	1858	2132	2269	2406
UT3D2484 48; 21; 24 R-L	1659	1804	1949	2238	2383	2528
UT3D2484 48; 21; 24 B	1697	1846	1994	2291	2440	2588
UT3D2784 48; 21; 24 B	1731	1883	2035	2339	2491	2643
UT3D3084 48; 21; 24 B	1801	1960	2119	2437	2596	2755
87" HIGH						
UT3D1887 48; 21; 24 R-L	1709	1859	2009	2308	2458	2608
UT3D2187 48; 21; 24 R-L	1820	1981	2142	2464	2624	2785
UT3D2487 48; 21; 24 R-L	1909	2079	2249	2588	2758	2928
UT3D2487 48; 21; 24 B	1951	2125	2299	2647	2821	2995
UT3D2787 48; 21; 24 B	1993	2172	2350	2706	2884	3062
UT3D3087 48; 21; 24 B	2075	2262	2448	2821	3007	3193
90" HIGH						
UT3D1890 48; 21; 24 R-L	1709	1859	2009	2308	2458	2608
UT3D2190 48; 21; 24 R-L	1820	1981	2142	2464	2624	2785
UT3D2490 48; 21; 24 R-L	1909	2079	2249	2588	2758	2928
UT3D2490 48; 21; 24 B	1951	2125	2299	2647	2821	2995
UT3D2790 48; 21; 24 B	1993	2172	2350	2706	2884	3062
UT3D3090 48; 21; 24 B	2075	2262	2448	2821	3007	3193
93" HIGH						
UT3D1893 48; 21; 24 R-L	1782	1939	2096	2410	2567	2724
UT3D2193 48; 21; 24 R-L	1885	2053	2220	2555	2722	2889
UT3D2493 48; 21; 24 R-L	1983	2161	2338	2692	2869	3046
UT3D2493 48; 21; 24 B	2025	2207	2388	2751	2932	3113
UT3D2793 48; 21; 24 B	2067	2253	2438	2809	2995	3180
UT3D3093 48; 21; 24 B	2149	2343	2537	2924	3118	3312
96" HIGH						
UT3D1896 48; 21; 24 R-L	1782	1939	2096	2410	2567	2724
UT3D2196 48; 21; 24 R-L	1885	2053	2220	2555	2722	2889
UT3D2496 48; 21; 24 R-L	1983	2161	2338	2692	2869	3046
UT3D2496 48; 21; 24 B	2025	2207	2388	2751	2932	3113
UT3D2796 48; 21; 24 B	2067	2253	2438	2809	2995	3180
UT3D3096 48; 21; 24 B	2149	2343	2537	2924	3118	3312

- » 18", 21" and 24" deep cabinets available at same price. Indicate depth when ordering.
- » Utility drawer cabinets ship with four shelves in top section.
- » Drawer configuration matches 3-drawer base.

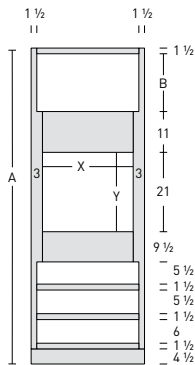
OVEN CABINETS



W: 27, 30, 33
H: 84, 87, 90, 93, 96

*Bottom 3 drawers do not line up with 3-drawer base.

See Modifications to order loose toe.



Custom Oven Cut-Out worksheet found in General information must be used when M-OCO is ordered.

ITEM	SHELVES	A	B	C	D	E	F
84" HIGH							
OCD2784	-	1452	1598	1743	2033	2178	2324
OCD3084	-	1514	1666	1817	2120	2271	2423
OCD3384	-	1571	1729	1886	2200	2357	2514
87" HIGH							
OCD2787	-	1746	1921	2096	2445	2619	2794
OCD3087	-	1828	2011	2194	2560	2742	2925
OCD3387	-	1908	2099	2290	2672	2862	3053
90" HIGH							
OCD2790	1	1746	1921	2096	2445	2619	2794
OCD3090	1	1828	2011	2194	2560	2742	2925
OCD3390	1	1908	2099	2290	2672	2862	3053
93" HIGH							
OCD2793	1	1851	2037	2222	2592	2777	2962
OCD3093	1	1930	2123	2316	2702	2895	3088
OCD3393	1	2005	2206	2406	2807	3008	3208
96" HIGH							
OCD2796	2	1851	2037	2222	2592	2777	2962
OCD3096	2	1930	2123	2316	2702	2895	3088
OCD3396	2	2005	2206	2406	2807	3008	3208
M-OCO	Custom Cut-Out Per Opening						143

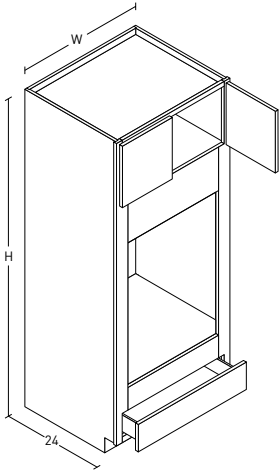
- » Pre-installed adjustable height platform for oven support is included.
- » Back will be open behind cut-out section.
- » When using a self-cleaning oven, you must allow 3" from the edge of the oven to any adjacent doors for proper heat dissipation. Cabinetry by Karman will not be held responsible if these guidelines are not followed.

ITEM	Existing Opening:	X	Y	Max Cut Out Opening:	X	Y
OCD27__		21	21		24	38½
OCD30__		24	21		27	38½
OCD33__		27	21		30	38½

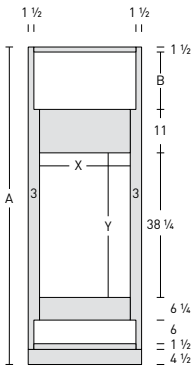
» X = Opening Width, Y = Opening Height
» Maximum factory cut-out width is 3" less than the cabinet width.

Custom Oven Cut-Out worksheet found in General information section must be used when M-OCO is ordered.

DOUBLE OVEN CABINETS



W: 27, 30, 33
H: 84, 87, 90, 93, 96



A	B
84	15
87	18
90	21
93	24
96	27

ITEM	SHELVES	A	B	C	D	E	F
84" HIGH							
OCDDBL2784	-	1346	1481	1616	1885	2019	2154
OCDDBL3084	-	1408	1549	1690	1972	2112	2253
OCDDBL3384	-	1465	1612	1758	2051	2198	2344
87" HIGH							
OCDDBL2787	-	1640	1804	1968	2296	2460	2624
OCDDBL3087	-	1722	1895	2067	2411	2583	2756
OCDDBL3387	-	1802	1983	2163	2523	2703	2884
90" HIGH							
OCDDBL2790	1	1640	1804	1968	2296	2460	2624
OCDDBL3090	1	1722	1895	2067	2411	2583	2756
OCDDBL3390	1	1802	1983	2163	2523	2703	2884
93" HIGH							
OCDDBL2793	1	1745	1920	2094	2443	2618	2792
OCDDBL3093	1	1824	2007	2189	2554	2736	2919
OCDDBL3393	1	1899	2089	2279	2659	2849	3039
96" HIGH							
OCDDBL2796	2	1745	1920	2094	2443	2618	2792
OCDDBL3096	2	1824	2007	2189	2554	2736	2919
OCDDBL3396	2	1899	2089	2279	2659	2849	3039
M-OCO	Custom Cut-Out Per Opening						143

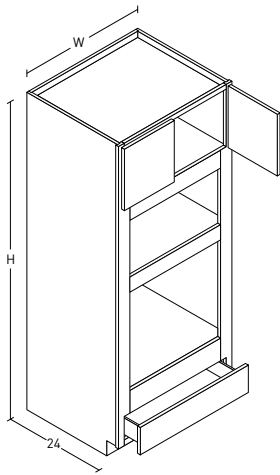
- » Pre-installed adjustable height platform for oven support is included.
- » Back will be open behind cut-out section.
- » When using a self-cleaning oven you must allow 3" from the edge of the oven to any adjacent doors for proper heat dissipation. Cabinetry by Karman will not be held responsible if these guidelines are not followed.

ITEM	Existing Opening:	X	Y	Max Cut Out Opening:	X	Y
OCD27__		21	38 1/4		24	52 1/2
OCD30__		24	38 1/4		27	52 1/2
OCD33__		27	38 1/4		30	52 1/2

» X = Opening Width, Y = Opening Height
» Maximum factory cut-out width is 3" less than the cabinet width.

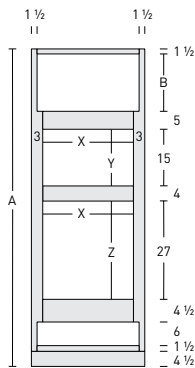
Custom Oven Cut-Out worksheet found in General information section must be used when M-OCO is ordered.

OVEN MICROWAVE CABINETS



W: 27, 30, 33
H: 84, 87, 90, 93, 96

See Modifications to order loose toe.



A	B
84	15
87	18
90	21
93	24
96	27

ITEM	SHELVES	A	B	C	D	E	F
84" HIGH							
OCDMOV2784	-	1346	1481	1616	1885	2019	2154
OCDMOV3084	-	1408	1549	1690	1972	2112	2253
OCDMOV3384	-	1465	1612	1758	2051	2198	2344
87" HIGH							
OCDMOV2787	-	1640	1804	1968	2296	2460	2624
OCDMOV3087	-	1722	1895	2067	2411	2583	2756
OCDMOV3387	-	1802	1983	2163	2523	2703	2884
90" HIGH							
OCDMOV2790	-	1640	1804	1968	2296	2460	2624
OCDMOV3090	-	1722	1895	2067	2411	2583	2756
OCDMOV3390	-	1802	1983	2163	2523	2703	2884
93" HIGH							
OCDMOV2793	-	1745	1920	2094	2443	2618	2792
OCDMOV3093	-	1824	2007	2189	2554	2736	2919
OCDMOV3393	-	1899	2089	2279	2659	2849	3039
96" HIGH							
OCDMOV2796	-	1745	1920	2094	2443	2618	2792
OCDMOV3096	-	1824	2007	2189	2554	2736	2919
OCDMOV3396	-	1899	2089	2279	2659	2849	3039
M-OCO	Custom Cut-Out Per Opening						143

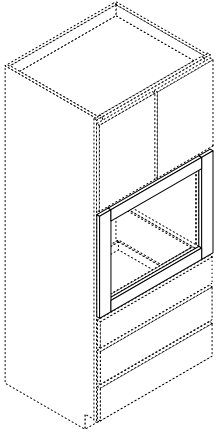
- » Pre-installed adjustable height platform for oven support is included in bottom section. Floor in microwave section is fixed.
- » Back will be open behind cut-out section.
- » When using a self cleaning oven you must allow 3" from the edge of the oven to any adjacent doors for proper heat dissipation. Cabinetry by Karman will not be held responsible if these guidelines are not followed.

ITEM	Existing Opening:	X	Y	Z	Max Cut Out Opening:	X	Y	Z
OCDMOV27__		21	15	27		24	18½	32
OCDMOV30__		24	15	27		27	18½	32
OCDMOV33__		27	15	27		30	18½	32

- » X = Opening Width, Y = Opening Height
- » Maximum factory cut-out width is 3" less than the cabinet width.

Custom Oven Cut-Out worksheet found in General information section must be used when M-OCO is ordered.

OVEN / MICROWAVE OVERLAY FRAME

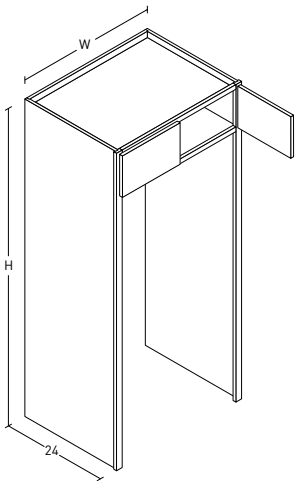


See Modifications to order loose toe.

ITEM		
OMOF	Per Square Foot	24

- » All overlay frames have 3" stiles and rails.
- » Outside profile only.
- » To order an overlay frame, you need to provide the outside dimensions of the frame required. The frame is built with 3/4" stock and has the same outside profile to match the door style of the order.
- » For OCD3096 -Example for full overlay frame would be 29 1/2" x 35 1/2".
- » To calculate cost: 29.5" x 35.5" = 1,047.25 square inches. Divide square inches by 144 to obtain square feet. 1047.25 divided by 144 = 7.27 square feet. The price per square feet times the number of square feet gives you the list cost. (Note: Always round the result up to the nearest dollar. \$24 x 7.27 square feet = \$175).

REFRIGERATOR CABINETS



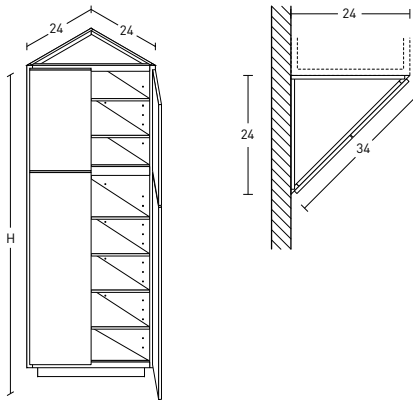
W: 33, 36, 39
H: 84, 87, 90, 93, 96

See Modifications to order loose toe.

ITEM	SHELVES	A	B	C	D	E	F
84" HIGH							
RC3384	-	1099	1209	1319	1539	1649	1759
RC3684	-	1149	1264	1379	1609	1724	1839
RC3984	-	1196	1316	1436	1675	1794	1914
87" HIGH							
RC3387	-	1341	1476	1610	1878	2012	2146
RC3687	-	1398	1538	1678	1958	2097	2237
RC3987	-	1457	1603	1749	2040	2186	2332
90" HIGH							
RC3390	-	1341	1476	1610	1878	2012	2146
RC3690	-	1398	1538	1678	1958	2097	2237
RC3990	-	1457	1603	1749	2040	2186	2332
93" HIGH							
RC3393	-	1427	1570	1713	1998	2141	2284
RC3693	-	1488	1637	1786	2084	2232	2381
RC3993	-	1552	1708	1863	2173	2328	2484
96" HIGH							
RC3396	1	1427	1570	1713	1998	2141	2284
RC3696	1	1488	1637	1786	2084	2232	2381
RC3996	1	1552	1708	1863	2173	2328	2484

- » 72" bottom opening in all heights.
- » Width of opening is 3" less than the cabinet width.
- » For custom opening on bottom add 10%.

TALL END DIAGONAL CABINETS



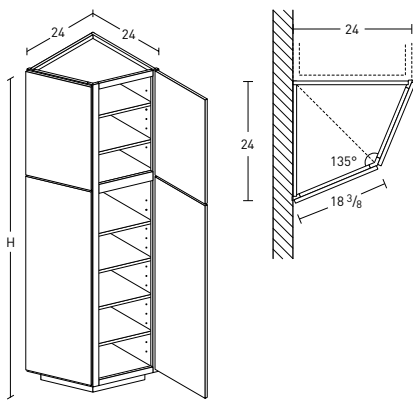
H: 84, 87, 90, 93, 96

See Modifications to order loose toe.

ITEM	A	B	C	D	E	F
TED84	2265	2492	2718	3171	3398	3624
TED87	2435	2679	2922	3409	3653	3896
TED90	2435	2679	2922	3409	3653	3896
TED93	2591	2851	3110	3628	3887	4146
TED96	2591	2851	3110	3628	3887	4146

- » Tall end diagonal cabinets ship with four shelves in bottom section. Top section has two shelves in the 84", 87", 90", and 93" heights and three in the 96" height.
- » All tall cabinets ship with built-in toe kick. See Modifications to order loose toe kick.
- » Not available with finished ends.

TALL END CORNER CABINETS



H: 84, 87, 90, 93, 96

See Modifications to order loose toe.

ITEM	A	B	C	D	E	F
TEC84	2265	2492	2718	3171	3398	3624
TEC87	2435	2679	2922	3409	3653	3896
TEC90	2435	2679	2922	3409	3653	3896
TEC93	2591	2851	3110	3628	3887	4146
TEC96	2591	2851	3110	3628	3887	4146

- » Doors hinged to outside rails.
- » Tall end diagonal cabinets ship with four shelves in bottom section. Top section has two shelves in the 84", 87", 90", and 93" heights and three in the 96" height.
- » All tall cabinets ship with built-in toe kick. See Modifications to order loose toe kick.
- » Not available with finished ends.

PREFERRED BY KARMAN

VANITY CABINETS SECTION 9

Index by Category and Name

STANDARD

Vanity Base Cabinets	9-1
Vanity Base Cabinets with Full Height Doors	9-2
Vanity End Diagonal Cabinets	9-2
Vanity Four-Drawer Cabinets	9-3
Vanity Three-Drawer Cabinets	9-3
Vanity Two-Drawer Cabinets	9-4
Vanity with Two Deep and Two Shallow Drawers Cabinets	9-4

SINK

Corner Vanity Sink Fronts	9-8
Vanity Sink Cabinets	9-5
Vanity Sink Cabinets with 3-Drawers	9-7
Vanity Sink Cabinets with 6-Drawers	9-7
Vanity Sink Cabinets with Drawers on Side	9-6
Vanity Sink Drawer Combination Cabinets	9-6
Vanity Sink Fronts	9-8

FLOATING VANITY

Floating Vanity Instructions	9-9
Floating Vanity Apron Sink	9-11
Floating Vanity Base Cabinets	9-10
Floating Vanity Base Cabinets with Full Height Doors	9-10
Floating Vanity Sink Cabinets	9-12
Floating Vanity Sink Cabinets with Drawers on Side	9-13
Floating Vanity Sink Cabinets with 3-Drawers	9-13
Floating Vanity Sink Cabinets with 6-Drawers	9-14
Floating Vanity Sink Cabinets with 4-Drawers	9-14
Floating Vanity Sink Drawer Combination Cabinets	9-13
Floating Vanity Three-Drawer Cabinets	9-11
Floating Vanity Two-Drawer Cabinets	9-12
Floating Vanity with One Shallow One Deep Drawer Cabinets	9-12
Floating Vanity with Two Deep and Two Shallow Drawers Cabinets	9-11

FURNITURE VANITY

Classic Furniture Double Combination Sink Base	9-17
Classic Furniture Single Combination Sink Base	9-16
Classic Furniture Sink Base	9-15
Oriental Furniture Double Combination Sink Base	9-17
Oriental Furniture Single Combination Sink Base	9-16
Oriental Furniture Sink Base With Full Height Doors	9-15
Roman Furniture Sink Base With Full Height Doors	9-15
Roman Furniture Sink Base With Inverted Drawer	9-15
Traditional Furniture Double Combination Sink Base	9-17
Traditional Furniture Single Combination Sink Base	9-16

SPECIALTY

Drawer Units	9-19
Vanity Desk Leg	9-19
Vanity Wall Cabinets	9-18
Vanity Wall Cabinets with Shelf	9-18
Vanity Wall Cabinets with Towel Bar	9-18
Wall Medicine Cabinets	9-18

UTILITY

Vanity Utility Base Bottom Cabinets — Adult Height	9-20
Vanity Utility Base Bottom Cabinets — Standard Height	9-20
Vanity Utility FHD Bottom Cabinets — Adult Height	9-21
Vanity Utility FHD Bottom Cabinets — Standard Height	9-21
Vanity Utility Three-Drawer Cabinets — Adult Height	9-22
Vanity Utility Three-Drawer Cabinets — Standard Height	9-22

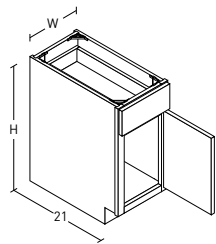
PREFERRED BY KARMAN

VANITY CABINETS

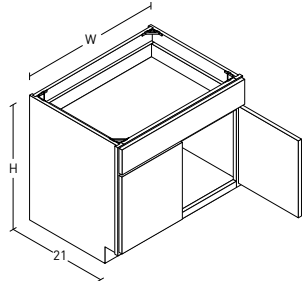
Index by Nomenclature

AHCFDC_ -----(Furniture Vanity) ----9-17	AHVS6D_ -----(Vanity Sink) -----9-7	KDU_ -21 -----(Drawer Unit) -----9-19
AHCFSB_ -----(Furniture Vanity) ----9-15	AHVSC_ -----(Vanity Sink) -----9-6	V2D_ -----(Vanity Drawer) -----9-4
AHCFSC_ -----(Furniture Vanity) ----9-16	AHVSD_ -----(Vanity Sink) -----9-6	V2D2S_ -----(Vanity Drawer) -----9-4
AHCVSF_ -----(Vanity Front) -----9-8	AHVS_ -----(Vanity Sink) -----9-5	V3D_ -----(Vanity 3-Drawer) ----9-3
AHOFDC_ -----(Furniture Vanity) ----9-17	AHVU3D_ -----(Vanity Utility) ----9-22	VB_FHD -----(Vanity Base) -----9-2
AHOFSB_ -----(Furniture Vanity) ----9-15	AHVUB_ -----(Vanity Utility) ----9-20	VB_ -----(Vanity Base) -----9-1
AHOFSC_ -----(Furniture Vanity) ----9-16	AHVUF_ -----(Vanity Utility) ----9-21	VDU_ -----(Drawer Unit) -----9-19
AHRFSB_ -----(Furniture Vanity) ----9-15	CVSF_ -----(Vanity Front) -----9-8	VED_ -----(Vanity Diagonal) ----9-2
AHRFSBI_ -----(Furniture Vanity) ----9-15	FVB -----(Floating Vanity) -----9-10	VF_ -----(Vanity Front) -----9-8
AHTFDC_ -----(Furniture Vanity) ----9-17	FVAS -----(Floating Vanity) -----9-11	VS3D_ -----(Vanity Sink) -----9-7
AHTFSC_ -----(Furniture Vanity) ----9-16	FVB_FHD -----(Floating Vanity) ----9-10	VS6D_ -----(Vanity Sink) -----9-7
AHV2D_ -----(Vanity 2-Drawer) ----9-4	FV3D -----(Floating Vanity) -----9-11	VSC_ -----(Vanity Sink) -----9-6
AHV2D2S_ -----(Vanity Drawer) ----9-4	FV2D2S -----(Floating Vanity) ----9-11	VSD_ -----(Vanity Sink) -----9-6
AHV3D_ -----(Vanity 3-Drawer) ----9-3	FV2D -----(Floating Vanity) ----9-12	VS_ -----(Vanity Sink) -----9-5
AHV4D_ -----(Vanity 4-Drawer) ----9-3	FV1S1D -----(Floating Vanity) ----9-12	VU3D_ -----(Vanity Utility) ----9-22
AHVB_FHD -----(Vanity Base) -----9-2	FVS -----(Floating Vanity) -----9-12	VUB_ -----(Vanity Utility) ----9-20
AHVB_ -----(Vanity Base) -----9-1	FVSC -----(Floating Vanity) -----9-13	VUF_ -----(Vanity Utility) ----9-21
AHVDL34 -----(Vanity Desk Leg) ---9-19	FVS3D -----(Floating Vanity) ----9-13	VW_ -----(Vanity Wall) -----9-18
AHVED_ -----(Vanity Diagonal) ----9-2	FVSD -----(Floating Vanity) ----9-13	VWTB_ -----(Vanity Wall) -----9-18
AHVF_ -----(Vanity Front) -----9-8	FVS4D -----(Floating Vanity) ----9-14	VWW_ -----(Vanity Wall) -----9-18
AHVS3D_ -----(Vanity Sink) -----9-7	FVS6D -----(Floating Vanity) ----9-14	WMC_ -----(Wall Medicine) ----9-18

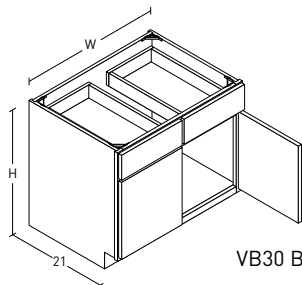
VANITY BASE CABINETS



W: 09, 12, 15, 18, 21, 24
H: 30 1/2, 34 1/2



W: 24, 27, 30, 33, 36, 39, 42, 45, 48
H: 30 1/2, 34 1/2



VB30 B-02 Shown

W: 24, 27, 30, 33, 36, 39, 42, 45, 48
H: 30 1/2, 34 1/2

ITEM	SHELVES	A	B	C	D	E	F
------	---------	---	---	---	---	---	---

30 1/2" HIGH CABINETS

VB09 R-L	-	410	446	482	553	589	625
VB12 R-L	-	410	446	482	553	589	625
VB15 R-L	-	433	471	509	585	623	661
VB18 R-L	-	452	492	532	612	652	692
VB21 R-L	-	480	523	566	651	694	737
VB24 R-L	-	502	547	592	682	727	772
VB24 B	-	551	601	651	751	800	850
VB27 B	-	603	658	713	823	878	933
VB30 B	-	622	679	736	850	907	964
VB33 B	-	640	699	758	875	934	993
VB36 B	-	660	721	782	903	964	1025
VB39 B	-	676	739	801	926	988	1050
VB42 B	-	695	760	824	952	1016	1081
VB45 B	-	715	782	848	980	1046	1113
VB48 B	-	735	804	872	1008	1076	1145

30 1/2" HIGH 2-DRAWER WIDE CABINETS

VB24 B-02	-	701	761	820	939	999	1058
VB27 B-02	-	754	819	884	1014	1078	1143
VB30 B-02	-	757	823	888	1018	1083	1148
VB33 B-02	-	774	841	908	1042	1108	1175
VB36 B-02	-	802	872	942	1081	1150	1220
VB39 B-02	-	841	915	988	1135	1209	1282
VB42 B-02	-	871	948	1024	1177	1254	1330
VB45 B-02	-	895	974	1053	1211	1290	1369
VB48 B-02	-	917	999	1080	1242	1323	1404

ADULT HEIGHT CABINETS

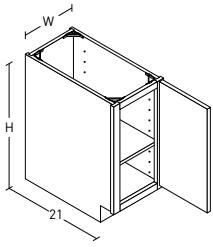
AHVB09 R-L	1	441	480	519	597	635	674
AHVB12 R-L	1	441	480	519	597	635	674
AHVB15 R-L	1	467	509	550	633	674	716
AHVB18 R-L	1	494	539	583	671	715	759
AHVB21 R-L	1	519	566	613	706	752	799
AHVB24 R-L	1	533	581	629	725	773	821
AHVB24 B	1	594	649	703	811	865	919
AHVB27 B	1	648	708	767	886	946	1005
AHVB30 B	1	667	729	790	913	974	1036
AHVB33 B	1	693	757	821	949	1013	1077
AHVB36 B	1	722	789	856	990	1057	1124
AHVB39 B	1	748	818	887	1026	1096	1165
AHVB42 B	1	774	847	919	1063	1135	1207
AHVB45 B	1	800	875	950	1099	1177	1248
AHVB48 B	1	823	900	977	1131	1208	1285

ADULT HEIGHT 2-DRAWER WIDE CABINETS

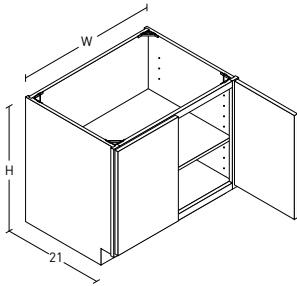
AHVB24 B-02	1	753	813	872	990	1048	1108
AHVB27 B-02	1	810	870	929	1048	1104	1167
AHVB30 B-02	1	813	873	933	1052	1109	1172
AHVB33 B-02	1	832	894	957	1080	1138	1203
AHVB36 B-02	1	862	928	992	1121	1182	1250
AHVB39 B-02	1	904	973	1041	1179	1245	1317
AHVB42 B-02	1	936	1008	1081	1225	1293	1368
AHVB45 B-02	1	962	1037	1112	1261	1332	1410
AHVB48 B-02	1	985	1062	1139	1293	1366	1446

» All vanities are available 18" deep at no charge. To order specify 18 after the cabinet.
(Ex: VB12 18L)

VANITY BASE CABINETS WITH FULL HEIGHT DOORS



W: 09, 12, 15, 18, 21, 24
H: 30 1/2, 34 1/2



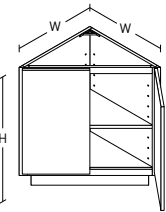
W: 24, 27, 30, 33, 36, 39, 42, 45, 48
H: 30 1/2, 34 1/2

ITEM	A	B	C	D	E	F
30 1/2" HIGH CABINETS						
VB09 R-L FHD	318	350	382	446	477	509
VB12 R-L FHD	318	350	382	446	477	509
VB15 R-L FHD	343	378	412	481	515	549
VB18 R-L FHD	360	396	432	504	540	576
VB21 R-L FHD	389	428	467	545	584	623
VB24 R-L FHD	409	450	491	573	614	655
VB24 B FHD	437	481	525	612	656	700
VB27 B FHD	491	541	590	688	737	786
VB30 B FHD	510	561	612	714	765	816
VB33 B FHD	520	572	624	728	780	832
VB36 B FHD	528	581	634	740	792	845
VB39 B FHD	550	605	660	770	825	880
VB42 B FHD	566	623	680	793	849	906
VB45 B FHD	588	647	706	824	882	941
VB48 B FHD	607	668	729	850	911	972

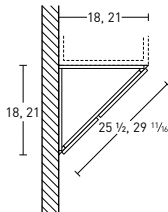
ITEM	A	B	C	D	E	F
ADULT HEIGHT CABINETS						
AHVB09 R-L FHD	345	380	414	483	518	552
AHVB12 R-L FHD	345	380	414	483	518	552
AHVB15 R-L FHD	374	412	449	524	561	599
AHVB18 R-L FHD	399	439	479	559	599	639
AHVB21 R-L FHD	425	468	510	595	638	680
AHVB24 R-L FHD	438	482	526	614	657	701
AHVB24 B FHD	476	524	572	667	714	762
AHVB27 B FHD	514	566	617	720	771	823
AHVB30 B FHD	535	589	642	749	803	856
AHVB33 B FHD	552	608	663	773	828	884
AHVB36 B FHD	565	622	678	791	848	904
AHVB39 B FHD	605	666	726	847	908	968
AHVB42 B FHD	639	703	767	895	959	1023
AHVB45 B FHD	662	729	795	927	993	1060
AHVB48 B FHD	684	753	821	958	1026	1095

- » Includes one full-depth adjustable shelf.
- » All vanities are available 18" deep at no charge. To order, specify 48 after the cabinet. (Ex: VB1248L FHD)

VANITY END DIAGONAL CABINETS



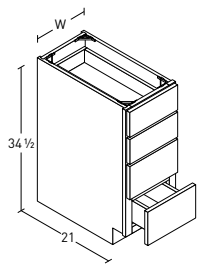
W: 18, 21
H: 30 1/2, 34 1/2



ITEM	A	B	C	D	E	F
30 1/2" HIGH CABINETS						
VED18 B	855	941	1026	1197	1283	1368
VED21 B	855	941	1026	1197	1283	1368
ADULT HEIGHT CABINETS						
AHVED18 B	899	989	1079	1259	1349	1439
AHVED21 B	899	989	1079	1259	1349	1439

- » Sides not available finished.

VANITY FOUR-DRAWER CABINETS

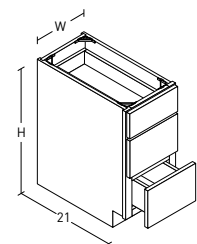


W: 12, 15, 18, 21, 24, 27, 30, 33, 36

ITEM	A	B	C	D	E	F
AHV4D12	886	886	886	886	955	1012
AHV4D15	933	933	933	933	1006	1067
AHV4D18	981	981	981	981	1060	1124
AHV4D21	1035	1035	1035	1035	1119	1187
AHV4D24	1097	1097	1097	1097	1186	1260
AHV4D27	1236	1236	1236	1236	1339	1423
AHV4D30	1262	1262	1262	1262	1367	1454
AHV4D33	1357	1357	1357	1357	1471	1565
AHV4D36	1451	1451	1451	1451	1575	1676

- » Vanity four drawer cabinets available adult height only.
- » Drawers are approximately equal.
- » All vanities are available 18" deep at no charge. To order, specify 48 after the cabinet. (Ex: AHV4D12 48)

VANITY THREE-DRAWER CABINETS

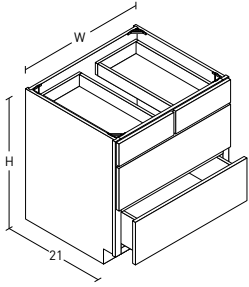


W: 12, 15, 18, 21, 24, 27, 30, 33, 36
H: 30 1/2, 34 1/2

ITEM	A	B	C	D	E	F
30 1/2" HIGH CABINETS						
V3D12	824	824	824	824	889	942
V3D15	868	868	868	868	936	993
V3D18	913	913	913	913	986	1046
V3D21	963	963	963	963	1041	1104
V3D24	1021	1021	1021	1021	1103	1172
V3D27	1150	1150	1150	1150	1246	1324
V3D30	1174	1174	1174	1174	1272	1353
V3D33	1263	1263	1263	1263	1369	1456
V3D36	1350	1350	1350	1350	1465	1559
ADULT HEIGHT CABINETS						
AHV3D12	886	886	886	886	955	1012
AHV3D15	933	933	933	933	1006	1067
AHV3D18	981	981	981	981	1060	1124
AHV3D21	1035	1035	1035	1035	1119	1187
AHV3D24	1097	1097	1097	1097	1186	1260
AHV3D27	1236	1236	1236	1236	1339	1423
AHV3D30	1262	1262	1262	1262	1367	1454
AHV3D33	1357	1357	1357	1357	1471	1565
AHV3D36	1451	1451	1451	1451	1575	1676

- » All vanities are available 18" deep at no charge. To order, specify 48 after the cabinet. (Ex: V3D12 48)

VANITY WITH TWO DEEP AND TWO SHALLOW DRAWERS CABINETS

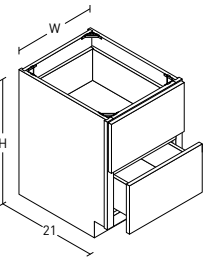


W: 24, 27, 30, 33, 36
H: 30 1/2, 34 1/2

ITEM	A	B	C	D	E	F
30 1/2" HIGH CABINETS						
V2D2S24	1188	1188	1188	1188	1271	1340
V2D2S27	1317	1317	1317	1317	1413	1491
V2D2S30	1342	1342	1342	1342	1439	1520
V2D2S33	1430	1430	1430	1430	1536	1623
V2D2S36	1517	1517	1517	1517	1633	1727
ADULT HEIGHT CABINETS						
AHV2D2S24	1277	1277	1277	1277	1366	1440
AHV2D2S27	1416	1416	1416	1416	1519	1603
AHV2D2S30	1442	1442	1442	1442	1547	1634
AHV2D2S33	1537	1537	1537	1537	1651	1745
AHV2D2S36	1631	1631	1631	1631	1755	1856

» All vanities are available 18" deep at no charge. To order, specify 48 after the cabinet.
(Ex: V2D2S24 48)

VANITY TWO-DRAWER CABINETS

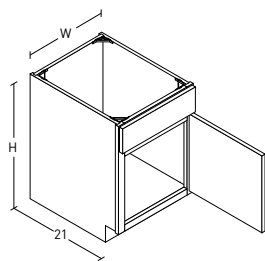


W: 15, 18, 21, 24, 27, 30, 33, 36
H: 30 1/2, 34 1/2

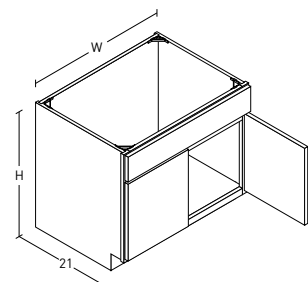
ITEM	A	B	C	D	E	F
30 1/2" HIGH CABINETS						
V2D15	728	728	728	728	788	837
V2D18	750	750	750	750	811	863
V2D21	823	823	823	823	891	948
V2D24	879	879	879	879	955	1015
V2D27	1010	1010	1010	1010	1097	1168
V2D30	1033	1033	1033	1033	1123	1196
V2D33	1122	1122	1122	1122	1219	1300
V2D36	1210	1210	1210	1210	1316	1404

» Vanity two drawer cabinets have 10 3/4" high frame openings and 8" high drawers. Drawers will not accommodate files.
» All vanities are available 18" deep at no charge. To order, specify 48 after the cabinet.
(Ex: V2D18 48)

VANITY SINK CABINETS



W: 18, 21, 24
H: 30 1/2, 34 1/2

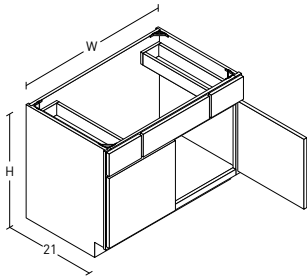


W: 24, 27, 30, 33, 36, 39, 42, 45, 48
H: 30 1/2, 34 1/2

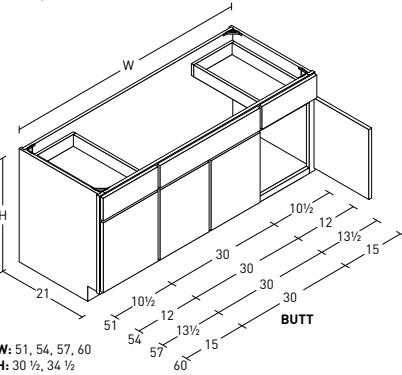
ITEM	A	B	C	D	E	F
30 1/2" HIGH CABINETS						
VS18 R-L	329	362	395	461	494	527
VS21 R-L	346	381	416	485	519	554
VS24 R-L	364	401	437	510	546	583
VS24 B	402	443	483	563	603	644
VS27 B	440	484	528	616	660	704
VS30 B	464	511	557	650	696	743
VS33 B	484	533	581	678	726	775
VS36 B	490	539	588	686	735	784
VS39 B	529	582	635	741	794	847
VS42 B	556	612	668	779	834	890
VS45 B	572	630	687	801	858	916
VS48 B	595	655	714	833	893	952
ADULT HEIGHT CABINETS						
AHVS18 R-L	353	390	425	495	533	566
AHVS21 R-L	371	408	446	520	559	594
AHVS24 R-L	391	430	469	547	589	626
AHVS24 B	432	476	519	605	651	692
AHVS27 B	473	521	569	663	713	758
AHVS30 B	498	549	599	698	750	797
AHVS33 B	520	573	625	728	784	833
AHVS36 B	526	579	632	737	792	842
AHVS39 B	569	626	683	796	856	910
AHVS42 B	597	657	717	836	898	955
AHVS45 B	614	676	737	861	925	983
AHVS48 B	639	703	767	895	962	1023

- » Maximum sink bowl width is 1 1/2" less than the width of the cabinet.
- » All vanities are available 18" deep at no charge. To order, specify 18 after the cabinet. (Ex: VS18 18L)

VANITY SINK DRAWER COMBINATION CABINETS



W: 36, 39, 42, 45, 48
H: 30 1/2, 34 1/2



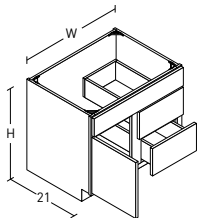
W: 51, 54, 57, 60
H: 30 1/2, 34 1/2

ITEM	A	B	C	D	E	F
30 1/2" HIGH CABINETS						
VSC36 B	704	764	824	944	1003	1063
VSC39 B	748	813	877	1005	1069	1134
VSC42 B	779	847	914	1049	1116	1183
VSC45 B	807	878	948	1088	1158	1228
VSC48 B	833	906	979	1124	1197	1270
VSC51 B	916	997	1078	1240	1321	1402
VSC54 B	996	1085	1174	1352	1441	1530
VSC57 B	1072	1169	1266	1459	1555	1652
VSC60 B	1151	1256	1360	1569	1674	1778

ITEM	A	B	C	D	E	F
ADULT HEIGHT CABINETS						
AHVSC36 B	740	804	867	994	1057	1121
AHVSC39 B	862	938	1014	1165	1240	1316
AHVSC42 B	893	972	1051	1208	1287	1366
AHVSC45 B	921	1003	1084	1247	1329	1410
AHVSC48 B	949	1034	1118	1287	1371	1455
AHVSC51 B	1027	1120	1212	1396	1488	1580
AHVSC54 B	1102	1202	1302	1501	1600	1700
AHVSC57 B	1187	1296	1404	1620	1728	1836
AHVSC60 B	1236	1349	1462	1688	1801	1914

- » Maximum sink bowl width is 20 1/2" on cabinets 36" - 48" wide.
- » Maximum sink bowl width is 32 1/2" on cabinets 51" - 60" wide.
- » All vanities are available 18" deep at no charge. To order, specify -18 after the cabinet. (Ex: VSC36-18.)

VANITY SINK CABINETS WITH DRAWERS ON SIDE



W: 24, 27, 30, 33, 36, 39, 42, 45, 48
H: 30 1/2, 34 1/2

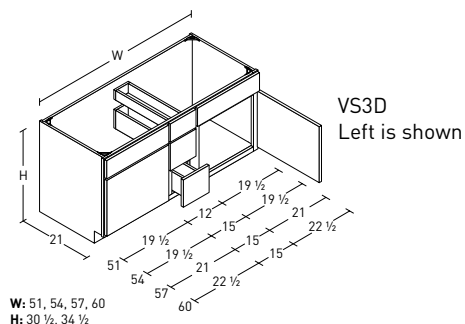
VSD
Left is shown

ITEM	A	B	C	D	E	F
30 1/2" HIGH CABINETS						
VSD24 R-L	709	770	830	951	1011	1071
VSD27 R-L	737	801	864	990	1053	1116
VSD30 R-L	760	826	891	1022	1087	1153
VSD33 R-L	789	858	926	1063	1131	1199
VSD36 R-L	814	885	956	1098	1168	1239
VSD39 R-L	842	916	990	1137	1210	1284
VSD42 R-L	865	941	1017	1169	1245	1321
VSD45 R-L	897	977	1056	1214	1293	1372
VSD48 R-L	921	1003	1084	1247	1329	1410

ITEM	A	B	C	D	E	F
ADULT HEIGHT CABINETS						
AHVSD24 R-L	824	902	979	1133	1210	1287
AHVSD27 R-L	850	930	1010	1169	1249	1329
AHVSD30 R-L	876	959	1041	1206	1288	1370
AHVSD33 R-L	901	986	1071	1241	1325	1410
AHVSD36 R-L	929	1017	1105	1280	1367	1455
AHVSD39 R-L	954	1045	1135	1315	1405	1495
AHVSD42 R-L	981	1074	1167	1353	1445	1538
AHVSD45 R-L	1025	1123	1220	1414	1511	1609
AHVSD48 R-L	1036	1135	1233	1430	1528	1626

- » R-L indicates sink section and hinge of door.
- » Maximum sink bowl width is 1 1/2" less than the width of the cabinet.
- » Distance from top of drawer to top of cabinet on VSD cabinets is 8 1/2".
- » All vanities are available 18" deep at no charge. To order, specify -18 after the cabinet. (Ex: VSD24-18L)

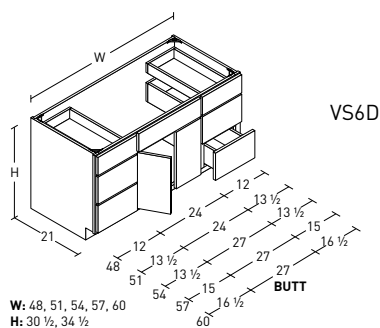
VANITY SINK CABINETS WITH 3-DRAWERS



ITEM	A	B	C	D	E	F
30 1/2" HIGH CABINETS						
VS3D51	1085	1178	1271	1456	1548	1641
VS3D54	1142	1241	1339	1536	1634	1732
VS3D57	1196	1300	1404	1611	1715	1819
VS3D60	1318	1434	1550	1782	1898	2014
ADULT HEIGHT CABINETS						
AHVS3D51	1189	1292	1395	1601	1704	1807
AHVS3D54	1237	1345	1453	1669	1776	1884
AHVS3D57	1285	1398	1511	1736	1848	1961
AHVS3D60	1393	1517	1640	1887	2010	2134

- » Maximum sink bowl width is 17 1/2" on 51" and 54", 19" on 57", and 20 1/2" on 60".
- » All vanities are available 18" deep at no charge. To order, specify -18 after the cabinet. (Ex: VS3D51-18)

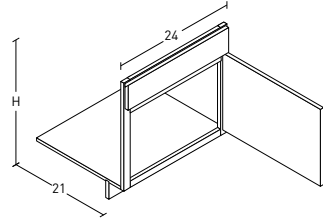
VANITY SINK CABINETS WITH 6-DRAWERS



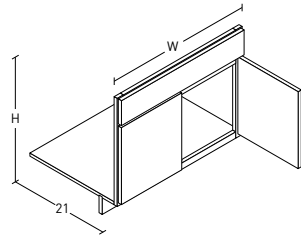
ITEM	A	B	C	D	E	F
30 1/2" HIGH CABINETS						
VS6D48 B	1484	1601	1718	1951	2067	2184
VS6D51 B	1521	1642	1762	2003	2123	2243
VS6D54 B	1556	1680	1804	2052	2175	2299
VS6D57 B	1589	1717	1844	2098	2225	2352
VS6D60 B	1626	1757	1888	2150	2280	2411
ADULT HEIGHT CABINETS						
AHVS6D48 B	1612	1742	1871	2130	2259	2389
AHVS6D51 B	1654	1788	1922	2189	2322	2456
AHVS6D54 B	1693	1831	1968	2243	2381	2518
AHVS6D57 B	1729	1871	2012	2294	2435	2576
AHVS6D60 B	1770	1916	2061	2351	2496	2642

- » Maximum sink bowl width is 26 1/2" on 48" and 51" and 29 1/2" on 54, 57, and 60".
- » All vanities are available 18" deep at no charge. To order, specify -18 after the cabinet. (Ex: VS6D48-18L)

VANITY SINK FRONTS



H: 30 1/2, 34 1/2

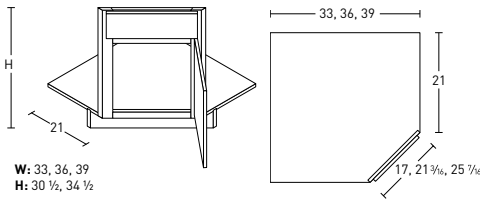


W: 24, 27, 30, 33, 36, 39, 42, 45, 48
H: 30 1/2, 34 1/2

ITEM	A	B	C	D	E	F
30 1/2" CABINETS						
VF24 R-L	238	262	286	334	357	381
VF24 B	259	285	311	363	389	415
VF27 B	284	313	341	398	426	455
VF30 B	312	344	375	437	468	500
VF33 B	344	379	413	482	516	551
VF36 B	378	416	454	530	567	605
VF39 B	416	458	500	583	624	666
VF42 B	457	503	549	640	686	732
VF45 B	499	549	599	699	749	799
VF48 B	549	604	659	769	824	879
ADULT HEIGHT CABINETS						
AHVF24 R-L	255	281	306	357	384	408
AHVF24 B	278	306	334	390	419	445
AHVF27 B	305	336	366	427	459	488
AHVF30 B	335	369	402	469	504	536
AHVF33 B	369	406	443	517	556	591
AHVF36 B	406	447	488	569	611	650
AHVF39 B	447	492	537	626	674	716
AHVF42 B	491	541	590	688	739	786
AHVF45 B	537	591	645	752	809	860
AHVF48 B	590	649	708	826	888	944

- » Assembly of front to floor required in the field.
- » All sink fronts built with 1 1/2" stiles.
- » All vanities are available 18" deep at no charge. To order, specify -18 after the cabinet. (Ex: VF24 -18L)

CORNER VANITY SINK FRONTS



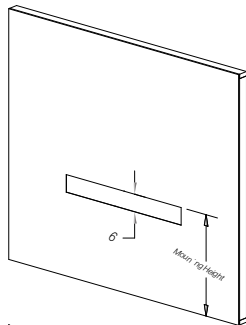
W: 33, 36, 39
H: 30 1/2, 34 1/2

ITEM	A	B	C	D	E	F
30 1/2" CABINETS						
CVSF3333 R-L	298	328	358	417	477	536
CVSF3636 R-L	327	360	392	457	522	587
CVSF3939 R-L	358	394	429	500	572	643
ADULT HEIGHT CABINETS						
AHCVSF3333 R-L	320	352	384	448	480	512
AHCVSF3636 R-L	351	387	422	492	527	562
AHCVSF3939 R-L	385	424	462	539	578	616

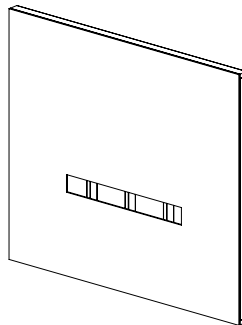
- » Assembly of front to floor required in the field.
- » Not trimmable.
- » All vanities are available 18" deep at no charge. To order, specify -18 after the cabinet. (Ex: CVSF3636 -18L)

FLOATING VANITY INSTALLATION INSTRUCTIONS

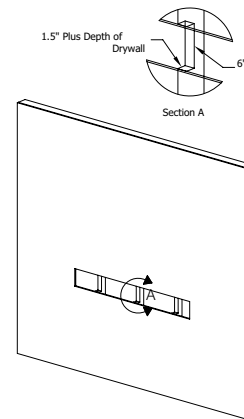
Because of the design characteristics of the Floating Vanity, Karman, recommends installation strictly in accordance with the enclosed illustration. Failure to strictly follow the installation illustration may result in an unintended separation of the Vanity from the wall and potentially cause injury or damage to property. Any such damage to the Vanity caused by an installation not strictly adhering to the enclosed illustration is not covered by our warranty.



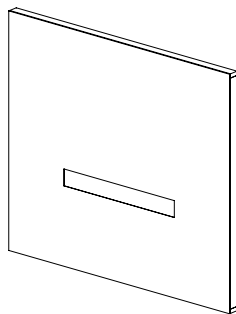
1. Draw lines at the determined mounting height. Place another 6" below and parallel to the previous line.



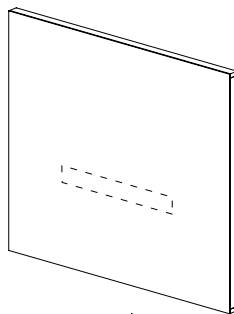
2. Using the previous lines as guide lines, cut out and remove the 6" strip of drywall. Length of the opening is determined by the width of the cabinet combined with the distance to the wall stud in each direction.



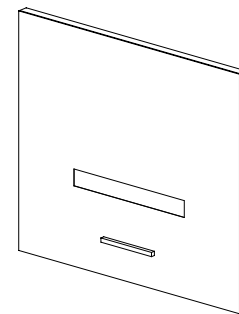
3. Place the 2 x 6 in the removed section of drywall, using it to draw guide lines on the face of the studs which will be the top and bottom of the notch. A circular saw should be used to make two cuts to the proper depth (1.5" on the studs, plus the thickness of the drywall). Additional cuts in between these excess may be needed to make it easier to remove the excess. Once the excess is removed the notches may need cleaning with a wood chisel.



4. Insert the 2 x 6 into the notched area. The 2x6 must be secured with a minimum of (2) 3" screws and construction adhesive on each stud. After secured the stud should be flush with the face of the 2 x 6.

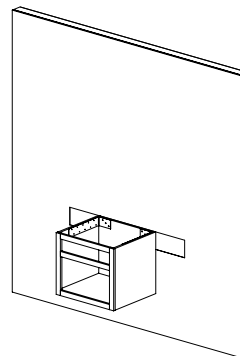


5. Replace removed portion of drywall

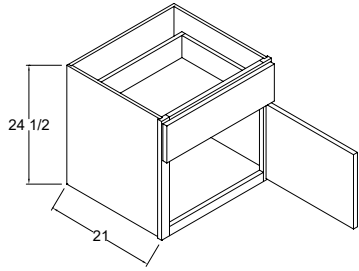


6. The ledger strip should be cut 2" less than run length of the cabinets. Place in center of run length, securing to studs using 3" screws.

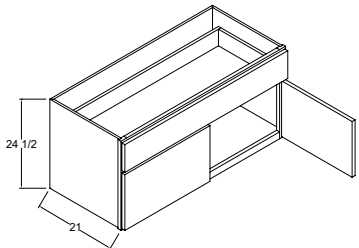
7. Set vanity on ledge strip and secure metal bracket to the 2 x 6 by using 1/4" x 3" lag bolts (not included). Vanities that join a side wall must be attached by 3" screws (not included) into the studs. Cabinets that do not require a hanging bracket must be secured to an adjacent cabinet or wall. Internal metal hanging brackets are attached to the end panels and back for securing to the wall.



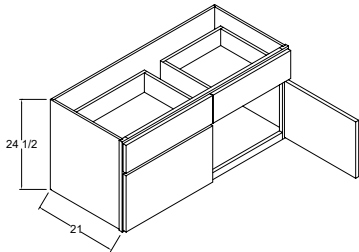
FLOATING VANITY BASE CABINETS



W: 9, 12, 15, 18, 21, 24
H: 24 1/2



W: 24, 27, 30, 33, 36, 39, 42, 45, 48
H: 24 1/2



W: 24, 27, 30, 33, 36, 39, 42, 45, 48
H: 24 1/2

ITEM	SHELVES	A	B	C	D	E	F
------	---------	---	---	---	---	---	---

24 1/2" HIGH CABINETS

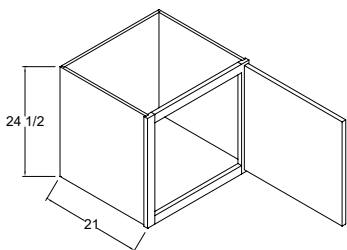
FVB09 R-L	-	410	446	482	553	589	625
FVB12 R-L	-	410	446	482	553	589	625
FVB15 R-L	-	433	471	509	585	623	661
FVB18 R-L	-	452	492	532	612	652	692
FVB21 R-L	-	480	523	566	651	694	737
FVB24 R-L	-	502	547	592	682	727	772
FVB24 B	-	551	601	651	751	800	850
FVB27 B	-	603	658	713	823	878	933
FVB30 B	-	622	679	736	850	907	964
FVB33 B	-	640	699	758	875	934	993
FVB36 B	-	660	721	782	903	964	1025
FVB39 B	-	676	739	801	926	988	1050
FVB42 B	-	695	760	824	952	1016	1081
FVB45 B	-	715	782	848	980	1046	1113
FVB48 B	-	735	804	872	1008	1076	1145

24 1/2" HIGH 2-DRAWER WIDE CABINETS

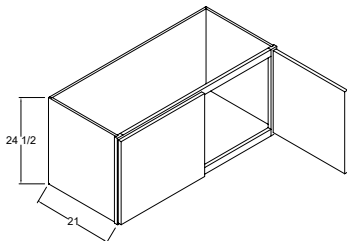
FVB24 B-02	-	701	761	820	939	999	1058
FVB27 B-02	-	754	819	884	1014	1078	1143
FVB30 B-02	-	757	823	888	1018	1083	1148
FVB33 B-02	-	774	841	908	1042	1108	1175
FVB36 B-02	-	802	872	942	1081	1150	1220
FVB39 B-02	-	841	915	988	1135	1209	1282
FVB42 B-02	-	871	948	1024	1177	1254	1330
FVB45 B-02	-	895	974	1053	1211	1290	1369
FVB48 B-02	-	917	999	1080	1242	1323	1404

» All vanities are available 18" deep at no charge. To order specify -18 after the cabinet.
(Ex: FVB12-18L)

FLOATING VANITY BASE CABINETS WITH FULL HEIGHT DOORS



W: 9, 12, 15, 18, 21, 24
H: 24 1/2



W: 24, 27, 30, 33, 36, 39, 42, 45, 48
H: 24 1/2

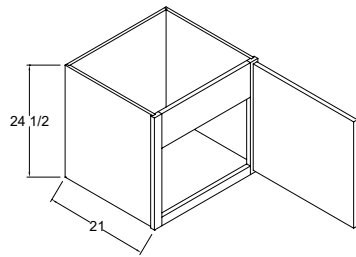
ITEM	A	B	C	D	E	F
------	---	---	---	---	---	---

24 1/2" HIGH CABINETS

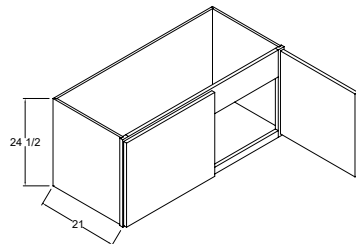
FVB09 R-L FHD	318	350	382	446	477	509
FVB12 R-L FHD	318	350	382	446	477	509
FVB15 R-L FHD	343	378	412	481	515	549
FVB18 R-L FHD	360	396	432	504	540	576
FVB21 R-L FHD	389	428	467	545	584	623
FVB24 R-L FHD	409	450	491	573	614	655
FVB24 B FHD	437	481	525	612	656	700
FVB27 B FHD	491	541	590	688	737	786
FVB30 B FHD	510	561	612	714	765	816
FVB33 B FHD	520	572	624	728	780	832
FVB36 B FHD	528	581	634	740	792	845
FVB39 B FHD	550	605	660	770	825	880
FVB42 B FHD	566	623	680	793	849	906
FVB45 B FHD	588	647	706	824	882	941
FVB48 B FHD	607	668	729	850	911	972

» All vanities are available 18" deep at no charge. To order, specify -18 after the cabinet.
(Ex: FVB12-18L FHD)

FLOATING VANITY APRON SINK



W: 18, 21, 24
H: 24 1/2

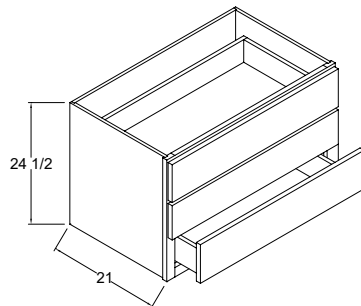


W: 24, 27, 30, 33, 36, 39, 42, 45, 48
H: 24 1/2

ITEM	A	B	C	D	E	F
24 1/2" HIGH CABINETS						
FVAS18 R-L FHD	473	509	545	617	653	689
FVAS21 R-L FHD	502	541	580	686	697	736
FVAS24 R-L FHD	522	563	604	686	727	768
FVAS24 B FHD	550	594	638	725	769	813
FVAS27 B FHD	604	654	703	801	850	899
FVAS30 B FHD	623	674	725	827	878	929
FVAS33 B FHD	633	685	737	841	893	945
FVAS36 B FHD	641	694	747	853	905	958
FVAS39 B FHD	663	718	773	883	938	993
FVAS42 B FHD	679	736	793	906	962	1019
FVAS45 B FHD	701	760	819	937	995	1054
FVAS48 B FHD	720	781	842	963	1024	1085

» All vanities are available 18" deep at no charge. To order, specify -18 after the cabinet.
(Ex: FVAS18 -18L FHD)

FLOATING VANITY THREE-DRAWER CABINETS

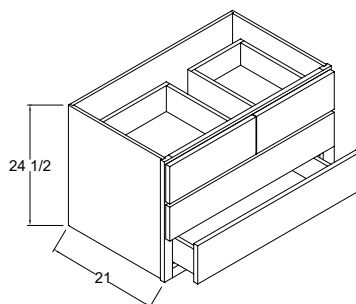


W: 12, 15, 18, 21, 24, 27, 30, 33, 36
H: 24 1/2

ITEM	A	B	C	D	E	F
24 1/2" HIGH CABINETS						
FV3D12	824	824	824	824	889	942
FV3D15	868	868	868	868	936	993
FV3D18	913	913	913	913	986	1046
FV3D21	963	963	963	963	1041	1104
FV3D24	1021	1021	1021	1021	1103	1172
FV3D27	1150	1150	1150	1150	1246	1324
FV3D30	1174	1174	1174	1174	1272	1353
FV3D33	1263	1263	1263	1263	1369	1456
FV3D36	1350	1350	1350	1350	1465	1559

» All vanities are available 18" deep at no charge. To order, specify -18 after the cabinet.
(Ex: FV3D12-18)

FLOATING VANITY WITH TWO DEEP AND TWO SHALLOW DRAWERS CABINETS

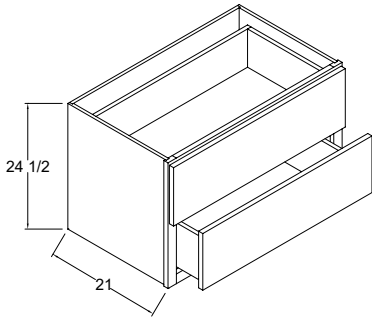


W: 24, 27, 30, 33, 36
H: 24 1/2

ITEM	A	B	C	D	E	F
24 1/2" HIGH CABINETS						
FV2D2S24	1188	1188	1188	1188	1271	1340
FV2D2S27	1317	1317	1317	1317	1413	1491
FV2D2S30	1342	1342	1342	1342	1439	1520
FV2D2S33	1430	1430	1430	1430	1536	1623
FV2D2S36	1517	1517	1517	1517	1633	1727

» All vanities are available 18" deep at no charge. To order, specify -18 after the cabinet.
(Ex: FV2D2S24-18)

FLOATING VANITY TWO-DRAWER CABINETS

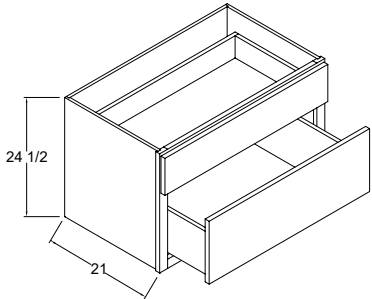


W: 15, 18, 21, 24, 27, 30, 33, 36
H: 24 1/2

ITEM	A	B	C	D	E	F
24½" HIGH CABINETS						
FV2D15	728	728	728	728	788	837
FV2D18	750	750	750	750	811	863
FV2D21	823	823	823	823	891	948
FV2D24	879	879	879	879	955	1015
FV2D27	1010	1010	1010	1010	1097	1168
FV2D30	1033	1033	1033	1033	1123	1196
FV2D33	1122	1122	1122	1122	1219	1300
FV2D36	1210	1210	1210	1210	1316	1404

- » Floating Vanity two drawer cabinets have 10 ¾" high frame openings and 8" high drawers. Drawers will not accommodate files.
- » All vanities are available 18" deep at no charge. To order, specify 48 after the cabinet. (Ex: FV2D18 48)

FLOATING VANITY WITH ONE SHALLOW AND ONE DEEP DRAWER CABINETS

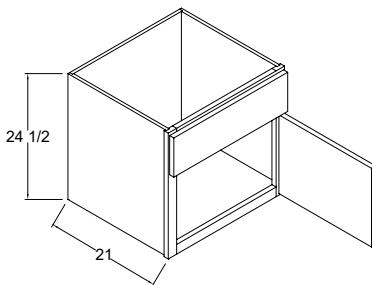


W: 24, 27, 30, 33, 36
H: 24 1/2

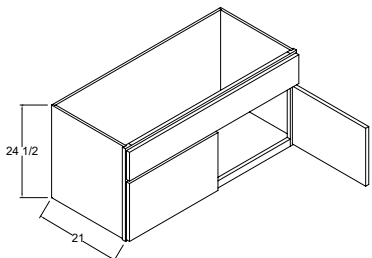
ITEM	A	B	C	D	E	F
24½" HIGH CABINETS						
FV1S1D12	715	715	715	715	774	822
FV1S1D15	728	728	728	728	788	837
FV1S1D18	750	750	750	750	811	863
FV1S1D21	823	823	823	823	891	948
FV1S1D24	879	879	879	879	955	1015
FV1S1D27	1010	1010	1010	1010	1097	1168
FV1S1D30	1033	1033	1033	1033	1123	1196
FV1S1D33	1122	1122	1122	1122	1219	1300
FV1S1D36	1210	1210	1210	1210	1316	1404

- » All vanities are available 18" deep at no charge. To order, specify 48 after the cabinet. (Ex: FV1S1D12 48)

FLOATING VANITY SINK CABINETS



W: 18, 21, 24
H: 24 1/2

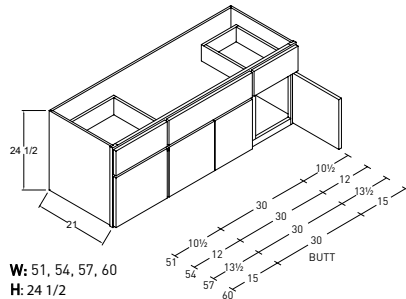
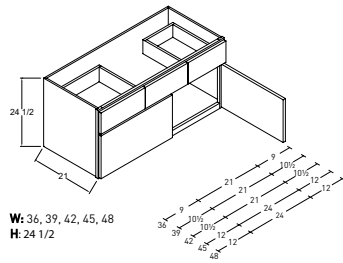


W: 24, 27, 30, 33, 36, 39, 42, 45, 48
H: 24 1/2

ITEM	A	B	C	D	E	F
24½" HIGH CABINETS						
FVS18 R-L	329	362	395	461	494	527
FVS21 R-L	346	381	416	485	519	554
FVS24 R-L	364	401	437	510	546	583
FVS24 B	402	443	483	563	603	644
FVS27 B	440	484	528	616	660	704
FVS30 B	464	511	557	650	696	743
FVS33 B	484	533	581	678	726	775
FVS36 B	490	539	588	686	735	784
FVS39 B	529	582	635	741	794	847
FVS42 B	556	612	668	779	834	890
FVS45 B	572	630	687	801	858	916
FVS48 B	595	655	714	833	893	952

- » Maximum sink bowl width is 1½" less than the width of the cabinet.
- » All vanities are available 18" deep at no charge. To order, specify 48 after the cabinet. (Ex: FVS18 48L)

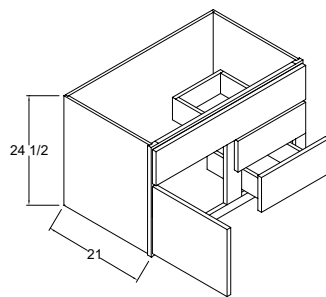
FLOATING VANITY SINK DRAWER COMBINATION CABINETS



ITEM	A	B	C	D	E	F
24 1/2" HIGH CABINETS						
FVSC36 B	704	764	824	944	1003	1063
FVSC39 B	748	813	877	1005	1069	1134
FVSC42 B	779	847	914	1049	1116	1183
FVSC45 B	807	878	948	1088	1158	1228
FVSC48 B	833	906	979	1124	1197	1270
FVSC51 B	916	997	1078	1240	1321	1402
FVSC54 B	996	1085	1174	1352	1441	1530
FVSC57 B	1072	1169	1266	1459	1555	1652
FVSC60 B	1151	1256	1360	1569	1674	1778

- » Maximum sink bowl width is 20 1/2" on cabinets 36" - 48" wide.
- » Maximum sink bowl width is 32 1/2" on cabinets 51" - 60" wide.
- » All vanities are available 18" deep at no charge. To order, specify -18 after the cabinet. (Ex: FVSC36 18.)

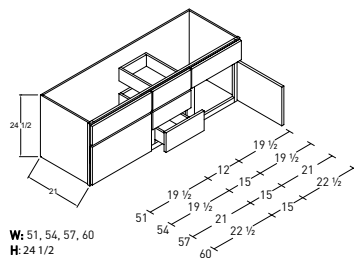
FLOATING VANITY SINK CABINETS WITH DRAWERS ON SIDE



ITEM	A	B	C	D	E	F
24 1/2" HIGH CABINETS						
FVSD24 R-L	709	770	830	951	1011	1071
FVSD27 R-L	737	801	864	990	1053	1116
FVSD30 R-L	760	826	891	1022	1087	1153
FVSD33 R-L	789	858	926	1063	1131	1199
FVSD36 R-L	814	885	956	1098	1168	1239
FVSD39 R-L	842	916	990	1137	1210	1284
FVSD42 R-L	865	941	1017	1169	1245	1321
FVSD45 R-L	897	977	1056	1214	1293	1372
FVSD48 R-L	921	1003	1084	1247	1329	1410

- » R-L indicates sink section and hinge of door.
- » Maximum sink bowl width is 1 1/2" less than the width of the cabinet.
- » Distance from top of drawer to top of cabinet on VSD cabinets is 8 1/2".
- » All vanities are available 18" deep at no charge. To order, specify -18 after the cabinet. (Ex: FVSD24-18L)

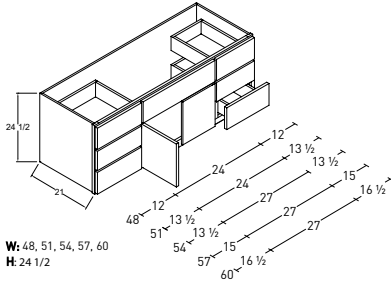
FLOATING VANITY SINK CABINETS WITH 3-DRAWERS



ITEM	A	B	C	D	E	F
24 1/2" HIGH CABINETS						
FVS3D51	1085	1178	1271	1456	1548	1641
FVS3D54	1142	1241	1339	1536	1634	1732
FVS3D57	1196	1300	1404	1611	1715	1819
FVS3D60	1318	1434	1550	1782	1898	2014

- » Maximum sink bowl width is 17 1/2" on 51" and 54", 19" on 57", and 20 1/2" on 60".
- » All vanities are available 18" deep at no charge. To order, specify -18 after the cabinet. (Ex: FVS3D51-18)

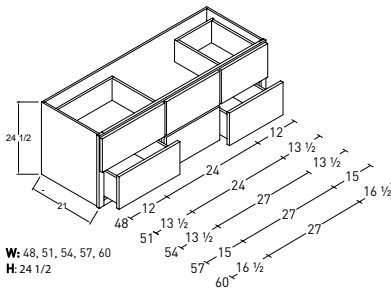
FLOATING VANITY SINK CABINETS WITH 6-DRAWERS



ITEM	A	B	C	D	E	F
24 1/2" HIGH CABINETS						
FVS6D48 B	1484	1601	1718	1951	2067	2184
FVS6D51 B	1521	1642	1762	2003	2123	2243
FVS6D54 B	1556	1680	1804	2052	2175	2299
FVS6D57 B	1589	1717	1844	2098	2225	2352
FVS6D60 B	1626	1757	1888	2150	2280	2411

- » Maximum sink bowl width is 26 1/2" on 48" and 51" and 29 1/2 on 54, 57, and 60".
- » All vanities are available 18" deep at no charge. To order, specify -18 after the cabinet. (Ex: FVS6D48-18L)

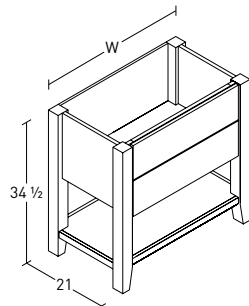
FLOATING VANITY SINK CABINETS WITH 4-DRAWERS



ITEM	A	B	C	D	E	F
24 1/2" HIGH CABINETS						
FVS4D48 B	1305	1422	1539	1772	1888	2005
FVS4D51 B	1342	1463	1583	1824	1944	2064
FVS4D54 B	1337	1501	1625	1873	1996	2120
FVS4D57 B	1410	1538	1665	1919	2046	2173
FVS4D60 B	1447	1578	1709	1971	2101	2232

- » Maximum sink bowl width is 26 1/2" on 48" and 51" and 29 1/2 on 54, 57, and 60".
- » All vanities are available 18" deep at no charge. To order, specify -18 after the cabinet. (Ex: FVS6D48 18L)
- » Center false fronts will be removable on this cabinet.

CLASSIC FURNITURE SINK BASE

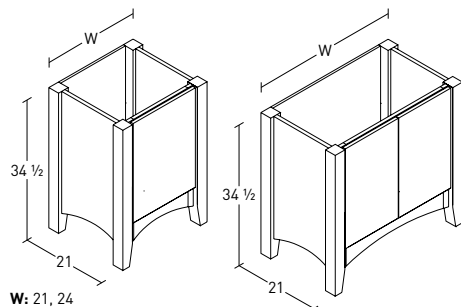


W: 30, 33, 36, 39, 42

ITEM	A	B	C	D	E	F
AHCFSB30	1727	1727	1727	1727	1900	2073
AHCFSB33	1787	1787	1787	1787	1966	2145
AHCFSB36	1846	1846	1846	1846	2031	2216
AHCFSB39	1906	1906	1906	1906	2097	2288
AHCFSB42	1965	1965	1965	1965	2162	2358

- » Posts are 2 1/4" square with 2-sided taper at bottom. Ends are finished.
- » Cabinet section is 18" high and bottom open area is 10" high.
- » False fronts are removable.
- » All vanities are available 18" deep at no charge. To order, specify -18 after the cabinet. (Ex: AHCFSB30-18)

ROMAN FURNITURE SINK BASE WITH FULL HEIGHT DOORS



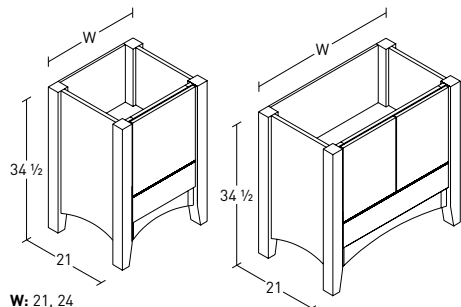
W: 21, 24

W: 30, 33, 36, 39, 42

ITEM	A	B	C	D	E	F
AHRFSB21R-L FHD	1218	1340	1462	1706	1827	1949
AHRFSB24R-L FHD	1272	1400	1527	1781	1908	2036
AHRFSB30 FHD	1434	1578	1721	2008	2151	2295
AHRFSB33 FHD	1482	1631	1779	2075	2223	2372
AHRFSB36 FHD	1538	1692	1846	2154	2307	2461
AHRFSB39 FHD	1592	1752	1911	2229	2388	2548
AHRFSB42 FHD	1646	1811	1976	2305	2469	2634

- » Posts are 2 1/4" square with 2-sided taper at bottom. Roman arch bottom rail. Ends are finished.
- » All vanities are available 18" deep at no charge. To order, specify -18 after the cabinet. (Ex: AHRFSB30-18 FHD)

ROMAN FURNITURE SINK BASE WITH INVERTED DRAWER



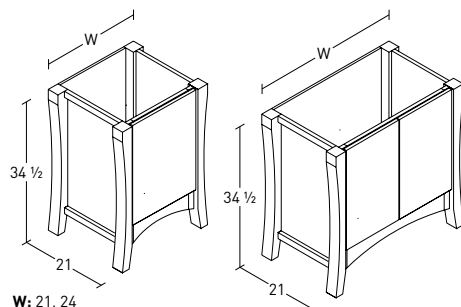
W: 21, 24

W: 30, 33, 36, 39, 42

ITEM	A	B	C	D	E	F
AHRFSBI21R-L	1395	1535	1674	1953	2093	2232
AHRFSBI24R-L	1449	1594	1739	2029	2174	2319
AHRFSBI30	1611	1773	1934	2256	2417	2578
AHRFSBI33	1659	1825	1991	2323	2489	2655
AHRFSBI36	1714	1886	2057	2400	2571	2743
AHRFSBI39	1768	1945	2122	2476	2652	2829
AHRFSBI42	1822	2005	2187	2551	2733	2916

- » Posts are 2 1/4" square with 2-sided taper at bottom. Roman arch bottom rail. Ends are finished.
- » All vanities are available 18" deep at no charge. To order, specify -18 after the cabinet. (Ex: AHRFSBI30-18)

ORIENTAL FURNITURE SINK BASE WITH FULL HEIGHT DOORS



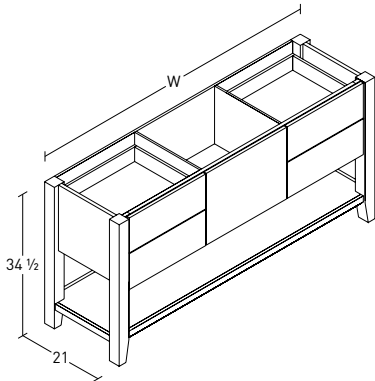
W: 21, 24

W: 30, 33, 36, 39, 42

ITEM	A	B	C	D	E	F
AHOFBSB21R-L FHD	2282	2454	2625	2967	3138	3309
AHOFBSB24R-L FHD	2365	2543	2720	3075	3252	3430
AHOFBSB30 FHD	2602	2798	2993	3383	3578	3773
AHOFBSB33 FHD	2654	2854	3053	3451	3650	3849
AHOFBSB36 FHD	2728	2933	3138	3547	3751	3956
AHOFBSB39 FHD	2805	3016	3226	3647	3857	4068
AHOFBSB42 FHD	2878	3094	3310	3742	3958	4174

- » Posts are 2 1/4" with curved sides and 1-sided taper at bottom. Roman arch bottom rail. Finished ends with finished rails top and bottom.
- » All vanities are available 18" deep at no charge. To order, specify -18 after the cabinet. (Ex: AHOFBSB30-18L)

CLASSIC FURNITURE SINGLE COMBINATION SINK BASE

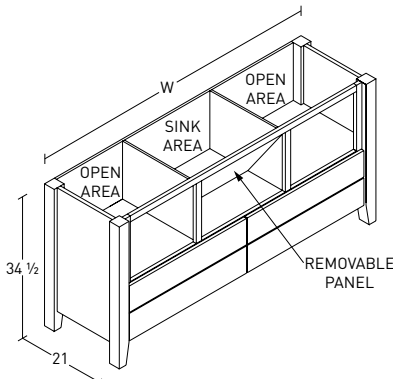


W: 54, 60, 66, 72

ITEM	A	B	C	D	E	F
AHCFSC54 R-L	2935	3156	3376	3816	4036	4256
AHCFSC60 R-L	2980	3204	3427	3874	4098	4321
AHCFSC66 R-L	3025	3252	3479	3933	4160	4387
AHCFSC72 R-L	3069	3300	3530	3990	4220	4451

- » Posts are 2 1/4" square with 2-sided taper at bottom. Ends are finished.
- » Cabinet section is 18" high and bottom open area is 10" high.
- » All vanities are available 18" deep at no charge. To order, specify -18 after the cabinet. (Ex: AHCFSC54-18L)
- » See Dimension Guide below.

TRADITIONAL FURNITURE SINGLE COMBINATION SINK BASE

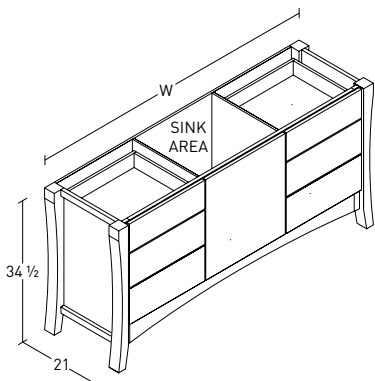


W: 54, 60, 66, 72

ITEM	A	B	C	D	E	F
AHTFSC54	4264	4264	4264	4264	4691	5117
AHTFSC60	4318	4318	4318	4318	4750	5182
AHTFSC66	4372	4372	4372	4372	4810	5247
AHTFSC72	4425	4425	4425	4425	4868	5310

- » Posts are 2 1/4" square with 2-sided taper at bottom. Has four working drawers. Ends are finished.
- » Removable panel in center and open finished storage areas left and right.
- » All vanities are available 18" deep at no charge. To order, specify -18 after the cabinet. (Ex: AHTFSC54-18)
- » Sink area will be 22" wide and 16" high on 54", 60" and 66" wide cabinets, and 28" wide and 16" high on 72" wide cabinet.
- » See Dimension Guide below.

ORIENTAL FURNITURE SINGLE COMBINATION SINK BASE

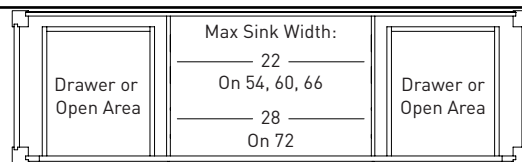


W: 54, 60, 66, 72

ITEM	A	B	C	D	E	F
AHOFSC54 R-L	4255	4575	4894	5532	5851	6170
AHOFSC60 R-L	4338	4664	4989	5640	5965	6291
AHOFSC66 R-L	4415	4747	5078	5740	6071	6402
AHOFSC72 R-L	4493	4830	5167	5841	6178	6515

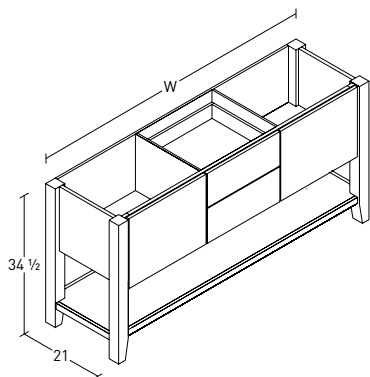
- » Posts are 2 1/4" with curved sides and 1-sided taper at bottom. Roman arch bottom rail. Finished ends with finished rails top and bottom.
- » All vanities are available 18" deep at no charge. To order, specify -18 after the cabinet. (Ex: AHOFSC54-18L)
- » See Dimension Guide below.

SINGLE COMBINATION SINK BASE DIMENSION GUIDE



54	15 3/4	22 1/2	15 3/4
60	18 3/4	22 1/2	18 3/4
66	21 3/4	22 1/2	21 3/4
72	21 3/4	28 1/2	21 3/4

CLASSIC FURNITURE DOUBLE COMBINATION SINK BASE

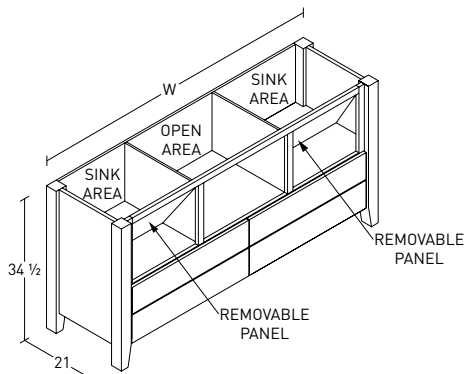


W: 60, 66, 72

ITEM	A	B	C	D	E	F
AHCFDC60	3353	3605	3856	4359	4611	4862
AHCFDC66	3407	3663	3919	4430	4685	4941
AHCFDC72	3461	3721	3981	4500	4759	5019

- » Posts are 2 1/4" square with 2-sided taper at bottom. Ends are finished.
- » Cabinet section is 18" high and open area is 10" high.
- » All vanities are available 18" deep at no charge. To order, specify -18 after the cabinet. (Ex: AHCFDC60)
- » See Dimension Guide below.

TRADITIONAL FURNITURE DOUBLE COMBINATION SINK BASE

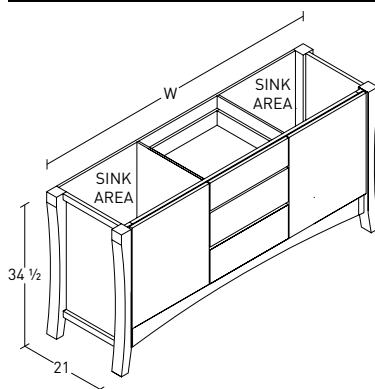


W: 60, 66, 72

ITEM	A	B	C	D	E	F
AHTFDC60	4318	4318	4318	4318	4750	5182
AHTFDC66	4372	4372	4372	4372	4810	5247
AHTFDC72	4425	4425	4425	4425	4868	5310

- » Posts are 2 1/4" square with 2-sided taper at bottom. Has four working drawers. Ends are finished.
- » Removable panels left and right and open finished storage area in center.
- » All vanities are available 18" deep at no charge. To order, specify -18 after the cabinet. (Ex: AHTFDC60-18)
- » Sink areas will be 21 1/2" wide and 16" high on 60" and 66" wide cabinets, and 24 1/2" wide and 16" high on 72" wide cabinet.
- » See Dimension Guide below.

ORIENTAL FURNITURE DOUBLE COMBINATION SINK BASE

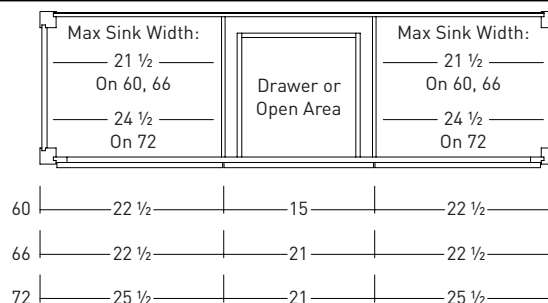


W: 60, 66, 72

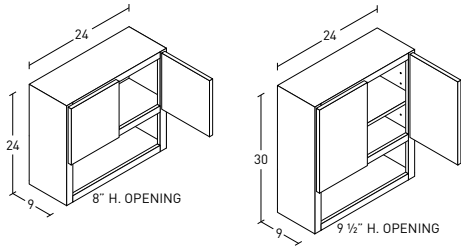
ITEM	A	B	C	D	E	F
AHOFDC60	3662	3937	4212	4761	5036	5310
AHOFDC66	3739	4020	4300	4861	5142	5422
AHOFDC72	3813	4099	4385	4957	5243	5529

- » Posts are 2 1/4" with curved sides and 1-sided taper at bottom. Roman arch bottom rail. Finished ends with finished rails top and bottom.
- » All vanities are available 18" deep at no charge. To order, specify -18 after the cabinet. (Ex: AHOFDC60-18)
- » See Dimension Guide below.

DOUBLE COMBINATION SINK BASE DIMENSION GUIDE



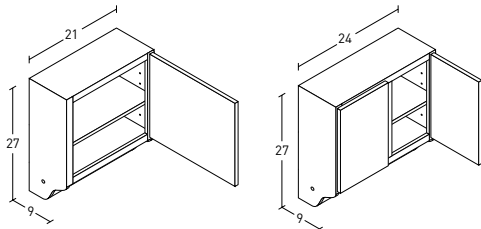
VANITY WALL CABINETS



ITEM	A	B	C	D	E	F
VW2424-9B	380	418	456	532	570	608
VW2430-9B	440	484	528	616	660	704

» Cabinet comes standard with finished interior and finished ends.

VANITY WALL CABINETS WITH TOWEL BAR



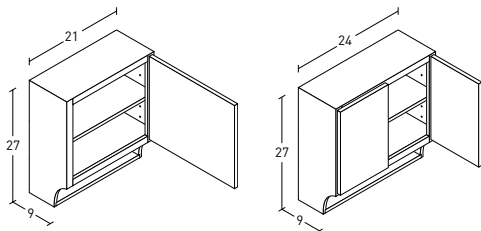
ITEM	A	B	C	D	E	F
VWTB2127-9R-L	570	627	684	798	855	912
VWTB2427-9B	598	658	718	838	897	957

» Cabinet comes standard with finished interior and finished ends.

» Top section matches a 21" high wall cabinet.

» Not available with integrated decorative end.

VANITY WALL CABINETS WITH SHELF

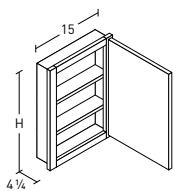


ITEM	A	B	C	D	E	F
VVWS2127-9R-L	522	575	627	731	783	836
VVWS2427-9B	550	605	660	770	825	880

» Cabinet comes standard with finished interior and finished ends.

» Not available with integrated decorative end.

WALL MEDICINE CABINETS



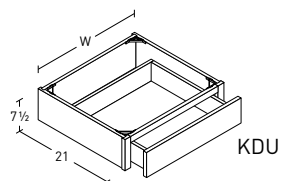
H: 24, 30, 36

ITEM	A	B	C	D	E	F
WMC1524 R-L	265	292	318	371	398	424
WMC1530 R-L	336	370	404	471	504	538
WMC1536 R-L	397	437	477	556	596	636

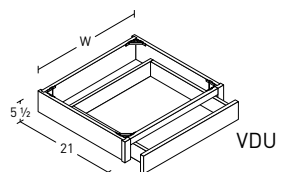
» The cabinet face frame is 3/4" thick and the box is 3 1/2" deep behind frame. It is designed to sit back into the wall with just the face frame extending out from the wall.

ITEM	Actual Box Size: Width	Height	Wall Cut Out: Width	Height
WMC1524	13 1/2	22 1/2	13 3/4	22 3/4
WMC1530	13 1/2	28 1/2	13 3/4	28 3/4
WMC1536	13 1/2	34 1/2	13 3/4	34 3/4

DRAWER UNITS



W: 24, 27, 30, 33, 36, 39, 42

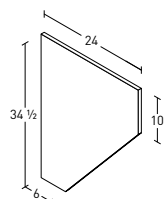


W: 24, 27, 30, 33, 36, 39, 42

ITEM		A	B	C	D	E	F
KITCHEN HEIGHT — 7½							
KDU24-21	(21" Deep)	489	489	489	489	538	587
KDU27-21	(21" Deep)	507	507	507	507	558	609
KDU30-21	(21" Deep)	526	526	526	526	579	632
KDU33-21	(21" Deep)	545	545	545	545	601	654
KDU36-21	(21" Deep)	576	576	576	576	634	692
KDU39-21	(21" Deep)	615	615	615	615	677	738
KDU42-21	(21" Deep)	648	648	648	648	713	778
VANITY HEIGHT — 5½							
VDU24	(21" Deep)						408
VDU27	(21" Deep)						423
VDU30	(21" Deep)						438
VDU33	(21" Deep)						454
VDU36	(21" Deep)						479
VDU39	(21" Deep)						514
VDU42	(21" Deep)						542

- » Kitchen height drawer box is 4 5/8" high, vanity height drawer box is 2 3/8" high.
- » VDU will come with slab front in all door styles.
- » Drawer unit built with 1 1/2" stiles which are not trimmable.
- » No bottom rail and no bottom.

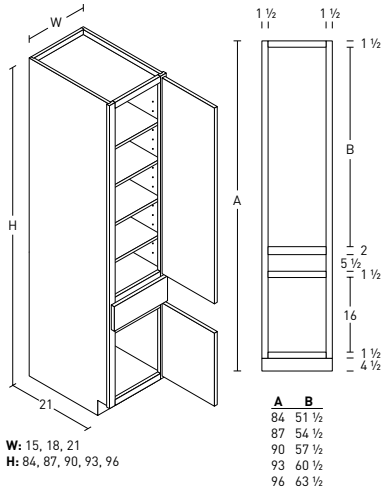
VANITY DESK LEG



ITEM	
AHVDL34	250

- » 3/4" wood veneer, finished both sides.
- » Standard 24" deep. Trim to 21" deep for vanity installation.
- » Standard 34 1/2" high. Trim to 30 1/2" for standard height vanity installation.

VANITY UTILITY BASE BOTTOM CABINETS — STANDARD HEIGHT

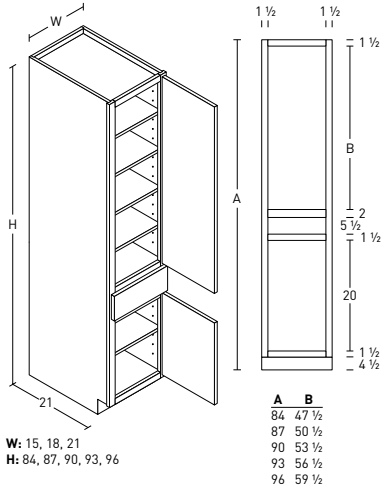


See Modifications to order loose toe.

ITEM	A	B	C	D	E	F
84" HIGH						
VUB1584 R-L	929	1017	1105	1280	1367	1455
VUB1884 R-L	1005	1101	1196	1386	1481	1577
VUB2184 R-L	1081	1184	1287	1493	1595	1698
87" HIGH						
VUB1587 R-L	1124	1232	1339	1553	1660	1767
VUB1887 R-L	1184	1298	1411	1637	1750	1863
VUB2187 R-L	1243	1362	1481	1719	1838	1957
90" HIGH						
VUB1590 R-L	1124	1232	1339	1553	1660	1767
VUB1890 R-L	1184	1298	1411	1637	1750	1863
VUB2190 R-L	1243	1362	1481	1719	1838	1957
93" HIGH						
VUB1593 R-L	1200	1315	1430	1659	1774	1889
VUB1893 R-L	1268	1390	1511	1754	1876	1997
VUB2193 R-L	1329	1457	1585	1840	1967	2095
96" HIGH						
VUB1596 R-L	1200	1315	1430	1659	1774	1889
VUB1896 R-L	1268	1390	1511	1754	1876	1997
VUB2196 R-L	1329	1457	1585	1840	1967	2095

- » All utility cabinets are available 18" deep at no charge. To order, specify -18 after the cabinet. (Ex: VUB1884-18L)
- » Bottom section matches standard height vanity. Four shelves in top section.
- » All utility cabinets ship with built-in toe kick. See Modifications to order loose toe kick.

VANITY UTILITY BASE BOTTOM CABINETS — ADULT HEIGHT

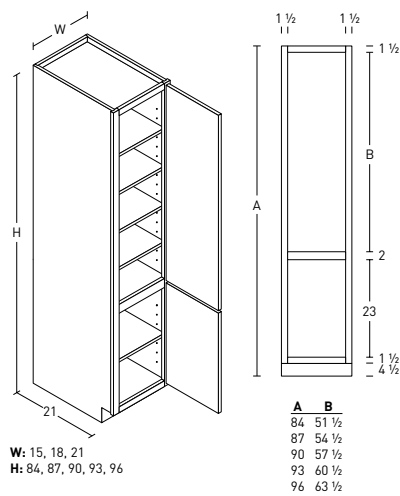


See Modifications to order loose toe.

ITEM	A	B	C	D	E	F
84" HIGH						
AHVUB1584 R-L	929	1017	1105	1280	1367	1455
AHVUB1884 R-L	1005	1101	1196	1386	1481	1577
AHVUB2184 R-L	1081	1184	1287	1493	1595	1698
87" HIGH						
AHVUB1587 R-L	1124	1232	1339	1553	1660	1767
AHVUB1887 R-L	1184	1298	1411	1637	1750	1863
AHVUB2187 R-L	1243	1362	1481	1719	1838	1957
90" HIGH						
AHVUB1590 R-L	1124	1232	1339	1553	1660	1767
AHVUB1890 R-L	1184	1298	1411	1637	1750	1863
AHVUB2190 R-L	1243	1362	1481	1719	1838	1957
93" HIGH						
AHVUB1593 R-L	1200	1315	1430	1659	1774	1889
AHVUB1893 R-L	1268	1390	1511	1754	1876	1997
AHVUB2193 R-L	1329	1457	1585	1840	1967	2095
96" HIGH						
AHVUB1596 R-L	1200	1315	1430	1659	1774	1889
AHVUB1896 R-L	1268	1390	1511	1754	1876	1997
AHVUB2196 R-L	1329	1457	1585	1840	1967	2095

- » All utility cabinets are available 18" deep at no charge. To order, specify -18 after the cabinet. (Ex: AHVUB1884-18L)
- » Bottom section matches adult height vanity. Four shelves in top section, one in bottom.
- » All utility cabinets ship with built-in toe kick. See Modifications to order loose toe kick.

VANITY UTILITY FHD BOTTOM CABINETS — STANDARD HEIGHT

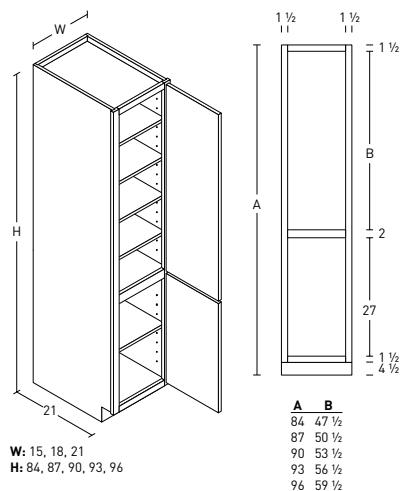


See Modifications to order loose toe.

ITEM	A	B	C	D	E	F
84" HIGH						
VUF1584 R-L	838	922	1006	1174	1257	1341
VUF1884 R-L	914	1006	1097	1280	1371	1463
VUF2184 R-L	990	1089	1188	1386	1485	1584
87" HIGH						
VUF1587 R-L	1033	1137	1240	1447	1550	1653
VUF1887 R-L	1093	1203	1312	1531	1640	1749
VUF2187 R-L	1152	1268	1383	1613	1728	1844
90" HIGH						
VUF1590 R-L	1033	1137	1240	1447	1550	1653
VUF1890 R-L	1093	1203	1312	1531	1640	1749
VUF2190 R-L	1152	1268	1383	1613	1728	1844
93" HIGH						
VUF1593 R-L	1109	1220	1331	1553	1664	1775
VUF1893 R-L	1177	1295	1413	1648	1766	1884
VUF2193 R-L	1238	1362	1486	1734	1857	1981
96" HIGH						
VUF1596 R-L	1109	1220	1331	1553	1664	1775
VUF1896 R-L	1177	1295	1413	1648	1766	1884
VUF2196 R-L	1238	1362	1486	1734	1857	1981

- » All utility cabinets are available 18" deep at no charge. To order, specify -18 after the cabinet. (Ex: VUF1884-18L)
- » Bottom section matches standard height vanity with full height door. Four shelves in top section, one in bottom.
- » All utility cabinets ship with built-in toe kick. See Modifications to order loose toe kick.

VANITY UTILITY FHD BOTTOM CABINETS — ADULT HEIGHT

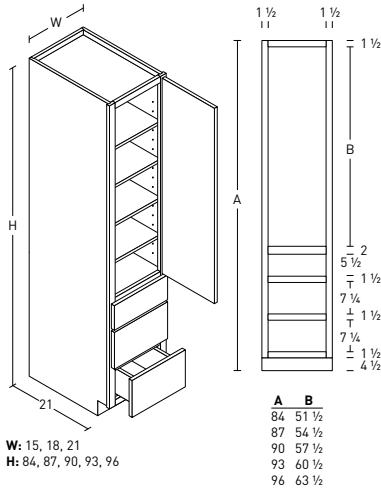


See Modifications to order loose toe.

ITEM	A	B	C	D	E	F
84" HIGH						
AHVUF1584 R-L	838	922	1006	1174	1257	1341
AHVUF1884 R-L	914	1006	1097	1280	1371	1463
AHVUF2184 R-L	990	1089	1188	1386	1485	1584
87" HIGH						
AHVUF1587 R-L	1033	1137	1240	1447	1550	1653
AHVUF1887 R-L	1093	1203	1312	1531	1640	1749
AHVUF2187 R-L	1152	1268	1383	1613	1728	1844
90" HIGH						
AHVUF1590 R-L	1033	1137	1240	1447	1550	1653
AHVUF1890 R-L	1093	1203	1312	1531	1640	1749
AHVUF2190 R-L	1152	1268	1383	1613	1728	1844
93" HIGH						
AHVUF1593 R-L	1109	1220	1331	1553	1664	1775
AHVUF1893 R-L	1177	1295	1413	1648	1766	1884
AHVUF2193 R-L	1238	1362	1486	1734	1857	1981
96" HIGH						
AHVUF1596 R-L	1109	1220	1331	1553	1664	1775
AHVUF1896 R-L	1177	1295	1413	1648	1766	1884
AHVUF2196 R-L	1238	1362	1486	1734	1857	1981

- » All utility cabinets are available 18" deep at no charge. To order specify, -18 after the cabinet. (Ex: AHVUF1884-18L)
- » Bottom section matches adult height vanity with full height door. Four shelves in top section, one in bottom.
- » All utility cabinets ship with built-in toe kick. See Modifications to order loose toe kick.

VANITY UTILITY THREE-DRAWER CABINETS — STANDARD HEIGHT

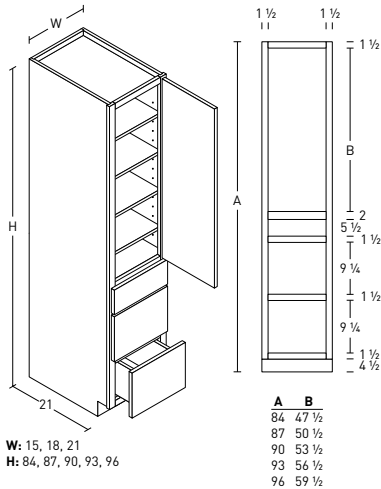


See Modifications to order loose toe.

ITEM	A	B	C	D	E	F
84" HIGH						
VU3D1584 R-L	1290	1404	1517	1743	1856	1969
VU3D1884 R-L	1366	1487	1608	1849	1970	2091
VU3D2184 R-L	1442	1571	1699	1956	2084	2212
87" HIGH						
VU3D1587 R-L	1485	1618	1751	2016	2148	2281
VU3D1887 R-L	1545	1684	1823	2100	2238	2377
VU3D2187 R-L	1604	1749	1893	2182	2327	2471
90" HIGH						
VU3D1590 R-L	1485	1618	1751	2016	2148	2281
VU3D1890 R-L	1545	1684	1823	2100	2238	2377
VU3D2190 R-L	1604	1749	1893	2182	2327	2471
93" HIGH						
VU3D1593 R-L	1561	1702	1842	2122	2262	2403
VU3D1893 R-L	1629	1776	1923	2217	2364	2511
VU3D2193 R-L	1690	1844	1997	2303	2456	2609
96" HIGH						
VU3D1596 R-L	1561	1702	1842	2122	2262	2403
VU3D1896 R-L	1629	1776	1923	2217	2364	2511
VU3D2196 R-L	1690	1844	1997	2303	2456	2609

- » All utility cabinets are available 18" deep at no charge. To order, specify -18 after the cabinet. (Ex: VU3D1884 18L)
- » Bottom section matches standard height three drawer vanity. Four shelves in top section.
- » All utility cabinets ship with built-in toe kick. See Modifications to order loose toe kick.

VANITY UTILITY THREE-DRAWER CABINETS — ADULT HEIGHT



See Modifications to order loose toe.

ITEM	A	B	C	D	E	F
84" HIGH						
AHVU3D1584 R-L	1290	1404	1517	1743	1856	1969
AHVU3D1884 R-L	1366	1487	1608	1849	1970	2091
AHVU3D2184 R-L	1442	1571	1699	1956	2084	2212
87" HIGH						
AHVU3D1587 R-L	1485	1618	1751	2016	2148	2281
AHVU3D1887 R-L	1545	1684	1823	2100	2238	2377
AHVU3D2187 R-L	1604	1749	1893	2182	2327	2471
90" HIGH						
AHVU3D1590 R-L	1485	1618	1751	2016	2148	2281
AHVU3D1890 R-L	1545	1684	1823	2100	2238	2377
AHVU3D2190 R-L	1604	1749	1893	2182	2327	2471
93" HIGH						
AHVU3D1593 R-L	1561	1702	1842	2122	2262	2403
AHVU3D1893 R-L	1629	1776	1923	2217	2364	2511
AHVU3D2193 R-L	1690	1844	1997	2303	2456	2609
96" HIGH						
AHVU3D1596 R-L	1561	1702	1842	2122	2262	2403
AHVU3D1896 R-L	1629	1776	1923	2217	2364	2511
AHVU3D2196 R-L	1690	1844	1997	2303	2456	2609

- » All utility cabinets are available 18" deep at no charge. To order, specify -18 after the cabinet. (Ex: AHVU3D1884 18L)
- » Bottom section matches adult height three drawer vanity. Four shelves in top section.
- » All utility cabinets ship with built-in toe kick. See Modifications to order loose toe kick.

PREFERRED BY KARMAN

OFFICE CABINETS SECTION 10

Index by Category and Name

BOOKCASE

Bookcase Cabinets — 30", 33", 36", 39" - - - - -	10-1
Bookcase Cabinets — 42", 45", 48", 51" - - - - -	10-2
Bookcase Cabinets — 54", 57", 60" - - - - -	10-3
Bookcase Tall Cabinets - - - - -	10-4
Bookcase Tall Cabinets With Doors — 84", 87", 90" - - - - -	10-5
Bookcase Tall Cabinets With Doors — 93", 96" - - - - -	10-6

DESK

Desk Cabinets - - - - -	10-7
Desk File Drawer Cabinets - - - - -	10-9
Desk Leg - - - - -	10-9
Desk Three Drawer Cabinets - - - - -	10-8
Desk Tower Cabinets - - - - -	10-7
Desk Two Drawer Cabinets - - - - -	10-8
Desk Two File Drawer Cabinets - - - - -	10-9
Desk Utility Base Bottom Cabinets - - - - -	10-10
Desk Utility FHD Bottom Cabinets - - - - -	10-10
Desk Utility Three Drawer Cabinets - - - - -	10-11
Drawer Units - - - - -	10-8

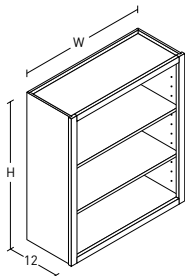
PREFERRED BY KARMAN

OFFICE CABINETS

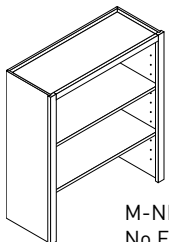
Index by Nomenclature

AHVDL34 - - - - - (Desk Leg) - - - - 10-9	BKTCD_93 - _96 --(Bookcase) - - - - 10-6	DTC_ - - - - - (Desk Base) - - - - 10-7
BKC_30 - _39 - - (Bookcase) - - - - 10-1	D2DC_ - - - - - (Desk Drawer) - - - - 10-8	DU3D_ - - - - - (Desk Utility) - - - - 10-11
BKC_42 - _51 - - - (Bookcase) - - - - 10-2	D2FD_ - - - - - (Desk File) - - - - 10-9	DUB_ - - - - - (Desk Utility) - - - - 10-10
BKC_54 - _60 - - (Bookcase) - - - - 10-3	D3DC_ - - - - - (Desk Drawer) - - - - 10-8	DUF_ - - - - - (Desk Utility) - - - - 10-10
BKTC_ - - - - - (Bookcase) - - - - 10-4	DC_ - - - - - (Desk Base) - - - - 10-7	VDU_ - - - - - (Drawer Units) - - - - 10-8
BKTCD_84 - _90 - (Bookcase) - - - - 10-5	DFD_ - - - - - (Desk File) - - - - 10-9	

BOOKCASE CABINETS — 30", 33", 36", 39"



W: 12, 15, 18, 21, 24, 27, 30, 33, 36
H: 30, 33, 36, 39

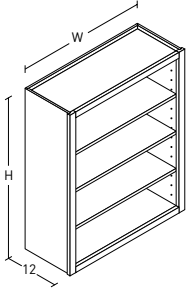


M-NF
No Floor
Option Shown

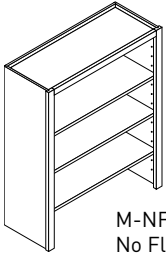
ITEM	SHELVES	
30" HIGH		
BKC1230	2	337
BKC1530	2	357
BKC1830	2	382
BKC2130	2	410
BKC2430	2	470
BKC2730	2	529
BKC3030	2	548
BKC3330	2	568
BKC3630	2	588
33" HIGH		
BKC1233	2	388
BKC1533	2	432
BKC1833	2	457
BKC2133	2	489
BKC2433	2	574
BKC2733	2	633
BKC3033	2	665
BKC3333	2	702
BKC3633	2	722
36" HIGH		
BKC1236	2	388
BKC1536	2	432
BKC1836	2	457
BKC2136	2	489
BKC2436	2	574
BKC2736	2	633
BKC3036	2	665
BKC3336	2	702
BKC3636	2	722
39" HIGH		
BKC1239	2	457
BKC1539	2	497
BKC1839	2	538
BKC2139	2	574
BKC2439	2	668
BKC2739	2	744
BKC3039	2	773
BKC3339	2	817
BKC3639	2	853
M-NF	No Floor in Cabinet	0

- » Standard with open finished interior. Not available in vintage.
- » Shelf Edge Treatment may be added to finished shelves, see Modifications and Accessories section.
- » Top rail may be replaced with valance, see Modifications and Accessories section.
- » No Floor in Cabinet modification removes floor and bottom rail.

BOOKCASE CABINETS — 42", 45", 48", 51"



W: 12, 15, 18, 21, 24, 27, 30, 33, 36
H: 42, 45, 48, 51

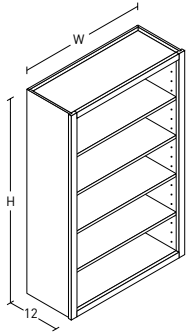


M-NF
No Floor
Option Shown

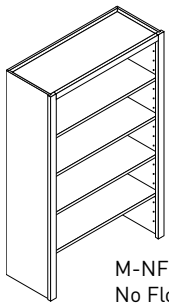
ITEM	SHELVES	
42" HIGH		
BKC1242	3	457
BKC1542	3	497
BKC1842	3	538
BKC2142	3	574
BKC2442	3	668
BKC2742	3	744
BKC3042	3	773
BKC3342	3	817
BKC3642	3	853
45" HIGH		
BKC1245	3	539
BKC1545	3	572
BKC1845	3	634
BKC2145	3	674
BKC2445	3	778
BKC2745	3	875
BKC3045	3	899
BKC3345	3	951
BKC3645	3	1008
48" HIGH		
BKC1248	3	539
BKC1548	3	572
BKC1848	3	634
BKC2148	3	674
BKC2448	3	778
BKC2748	3	875
BKC3048	3	899
BKC3348	3	951
BKC3648	3	1008
51" HIGH		
BKC1251	3	635
BKC1551	3	659
BKC1851	3	747
BKC2151	3	792
BKC2451	3	906
BKC2751	3	1029
BKC3051	3	1046
BKC3351	3	1107
BKC3651	3	1191
M-NF	No Floor in Cabinet	0

- » Standard with open finished interior. Not available in vintage.
- » Shelf Edge Treatment may be added to finished shelves, see Modifications and Accessories section.
- » Top rail may be replaced with valance, see Modifications and Accessories section.
- » No Floor in Cabinet modification removes floor and bottom rail.

BOOKCASE CABINETS — 54", 57", 60"



W: 12, 15, 18, 21, 24, 27, 30, 33, 36
H: 54, 57, 60

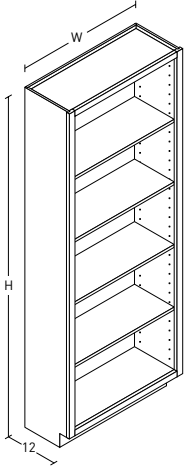


M-NF
No Floor
Option Shown

ITEM	SHELVES	
54" HIGH		
BKC1254	4	635
BKC1554	4	659
BKC1854	4	747
BKC2154	4	792
BKC2454	4	906
BKC2754	4	1029
BKC3054	4	1046
BKC3354	4	1107
BKC3654	4	1191
57" HIGH		
BKC1257	4	748
BKC1557	4	779
BKC1857	4	880
BKC2157	4	930
BKC2457	4	1067
BKC2757	4	1210
BKC3057	4	1262
BKC3357	4	1312
BKC3657	4	1408
60" HIGH		
BKC1260	4	748
BKC1560	4	779
BKC1860	4	880
BKC2160	4	930
BKC2460	4	1067
BKC2760	4	1210
BKC3060	4	1262
BKC3360	4	1312
BKC3660	4	1408
M-NF	No Floor in Cabinet	0

- » Standard with open finished interior. Not available in vintage.
- » Shelf Edge Treatment may be added to finished shelves, see Modifications and Accessories section.
- » Top rail may be replaced with valance, see Modifications and Accessories section.
- » No Floor in Cabinet modification removes floor and bottom rail.

BOOKCASE TALL CABINETS



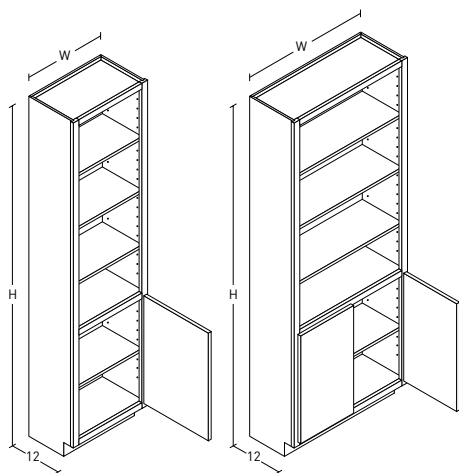
W: 12, 15, 18, 21, 24, 27, 30, 33, 36
H: 84, 87, 90, 93, 96

See Modifications to order loose toe or flush toe.

ITEM	SHELVES	
84" HIGH		
BKTC1284	4	995
BKTC1584	4	1048
BKTC1884	4	1143
BKTC2184	4	1238
BKTC2484	4	1304
BKTC2784	4	1409
BKTC3084	4	1512
BKTC3384	4	1575
BKTC3684	4	1640
87" HIGH		
BKTC1287	4	1239
BKTC1587	4	1292
BKTC1887	4	1367
BKTC2187	4	1440
BKTC2487	4	1512
BKTC2787	4	1639
BKTC3087	4	1763
BKTC3387	4	1839
BKTC3687	4	1914
90" HIGH		
BKTC1290	4	1239
BKTC1590	4	1292
BKTC1890	4	1367
BKTC2190	4	1440
BKTC2490	4	1512
BKTC2790	4	1639
BKTC3090	4	1763
BKTC3390	4	1839
BKTC3690	4	1914
93" HIGH		
BKTC1293	4	1322
BKTC1593	4	1387
BKTC1893	4	1472
BKTC2193	4	1548
BKTC2493	4	1638
BKTC2793	4	1773
BKTC3093	4	1908
BKTC3393	4	1988
BKTC3693	4	2067
96" HIGH		
BKTC1296	4	1322
BKTC1596	4	1387
BKTC1896	4	1472
BKTC2196	4	1548
BKTC2496	4	1638
BKTC2796	4	1773
BKTC3096	4	1908
BKTC3396	4	1988
BKTC3696	4	2067

- » Standard with open finished interior. Not available in vintage.
- » Shelf Edge Treatment may be added to finished shelves, see Modifications and Accessories section.
- » Top rail may be replaced with valance, see Modifications and Accessories section.

BOOKCASE TALL CABINETS WITH DOORS — 84", 87", 90"



W: 12, 15, 18, 21, 24
H: 84, 87, 90, 93, 96

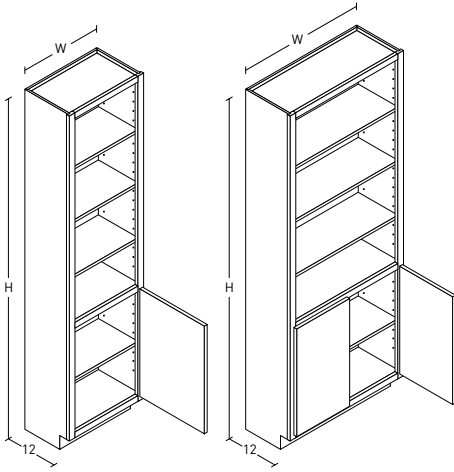
W: 24, 27, 30, 33, 36
H: 84, 87, 90, 93, 96

See Modifications to order loose toe or flush toe.

ITEM	A	B	C	D	E	F
84" HIGH						
BKTCD1284 R-L	1194	1314	1433	1672	1791	1911
BKTCD1584 R-L	1257	1383	1509	1760	1886	2012
BKTCD1884 R-L	1371	1509	1646	1920	2057	2194
BKTCD2184 R-L	1485	1634	1782	2079	2228	2376
BKTCD2484 R-L	1565	1722	1878	2191	2348	2504
BKTCD2484 B	1628	1791	1954	2280	2442	2605
BKTCD2784 B	1691	1861	2030	2368	2537	2706
BKTCD3084 B	1814	1996	2177	2540	2721	2903
BKTCD3384 B	1890	2079	2268	2646	2835	3024
BKTCD3684 B	1968	2165	2362	2756	2952	3149
87" HIGH						
BKTCD1287 R-L	1487	1636	1785	2082	2231	2380
BKTCD1587 R-L	1550	1705	1860	2170	2325	2480
BKTCD1887 R-L	1640	1804	1968	2296	2460	2624
BKTCD2187 R-L	1728	1901	2074	2420	2592	2765
BKTCD2487 R-L	1814	1996	2177	2540	2721	2903
BKTCD2487 B	1890	2079	2268	2646	2835	3024
BKTCD2787 B	1967	2164	2361	2754	2951	3148
BKTCD3087 B	2115	2327	2538	2961	3173	3384
BKTCD3387 B	2207	2428	2649	3090	3311	3532
BKTCD3687 B	2297	2527	2757	3216	3446	3676
90" HIGH						
BKTCD1290 R-L	1487	1636	1785	2082	2231	2380
BKTCD1590 R-L	1550	1705	1860	2170	2325	2480
BKTCD1890 R-L	1640	1804	1968	2296	2460	2624
BKTCD2190 R-L	1728	1901	2074	2420	2592	2765
BKTCD2490 R-L	1814	1996	2177	2540	2721	2903
BKTCD2490 B	1890	2079	2268	2646	2835	3024
BKTCD2790 B	1967	2164	2361	2754	2951	3148
BKTCD3090 B	2115	2327	2538	2961	3173	3384
BKTCD3390 B	2207	2428	2649	3090	3311	3532
BKTCD3690 B	2297	2527	2757	3216	3446	3676

- » Standard with open finished interior. Not available in vintage.
- » Includes four shelves.
- » Shelf Edge Treatment may be added to finished shelves, see Modifications and Accessories section.
- » Top rail may be replaced with valance, see Modifications and Accessories section.
- » Bottom door matches base cabinet with full height door.

BOOKCASE TALL CABINETS WITH DOORS — 93", 96"



W: 12, 15, 18, 21, 24
H: 84, 87, 90, 93, 96

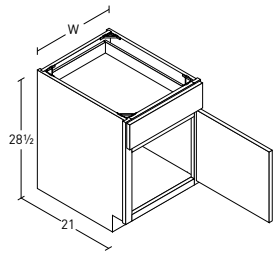
W: 24, 27, 30, 33, 36
H: 84, 87, 90, 93, 96

See Modifications to order loose toe or flush toe.

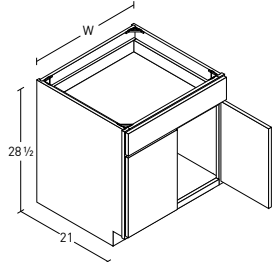
ITEM	A	B	C	D	E	F
93" HIGH						
BKTCD1293 R-L	1586	1745	1904	2221	2379	2538
BKTCD1593 R-L	1664	1831	1997	2330	2496	2663
BKTCD1893 R-L	1766	1943	2120	2473	2649	2826
BKTCD2193R-L	1857	2043	2229	2600	2786	2972
BKTCD2493 R-L	1965	2162	2358	2751	2948	3144
BKTCD2493 B	2046	2251	2456	2865	3069	3274
BKTCD2793 B	2127	2340	2553	2978	3191	3404
BKTCD3093 B	2289	2518	2747	3205	3434	3663
BKTCD3393 B	2385	2624	2862	3339	3578	3816
BKTCD3693 B	2480	2728	2976	3472	3720	3968
96" HIGH						
BKTCD1296 R-L	1586	1745	1904	2221	2379	2538
BKTCD1596 R-L	1664	1831	1997	2330	2496	2663
BKTCD1896 R-L	1766	1943	2120	2473	2649	2826
BKTCD2196 R-L	1857	2043	2229	2600	2786	2972
BKTCD2496 R-L	1965	2162	2358	2751	2948	3144
BKTCD2496 B	2046	2251	2456	2865	3069	3274
BKTCD2796 B	2127	2340	2553	2978	3191	3404
BKTCD3096 B	2289	2518	2747	3205	3434	3663
BKTCD3396 B	2385	2624	2862	3339	3578	3816
BKTCD3696 B	2480	2728	2976	3472	3720	3968

- » Standard with open finished interior. Not available in vintage.
- » Includes four shelves.
- » Shelf Edge Treatment may be added to finished shelves, see Modifications and Accessories section.
- » Top rail may be replaced with valance, see Modifications and Accessories section.
- » Bottom door matches base cabinet with full height door.

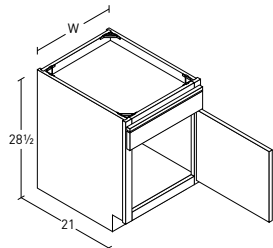
DESK CABINETS



W: 15, 18, 21, 24



W: 24, 27, 30

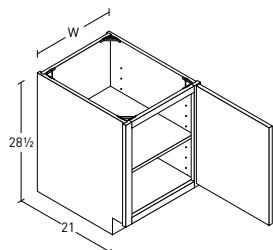


W: 15, 18, 21, 24

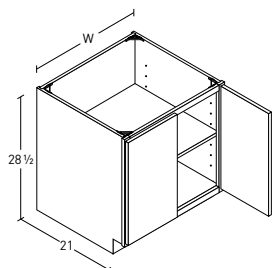
ITEM	A	B	C	D	E	F
STANDARD						
DC15 R-L	433	471	509	585	623	661
DC18 R-L	452	492	532	612	652	692
DC21 R-L	480	523	566	651	694	737
DC24 R-L	502	547	592	682	727	772
DC24 B	551	601	651	751	800	850
DC27 B	603	658	713	823	878	933
DC30 B	622	679	736	850	907	964
WRITING SHELF						
DC15WS R-L	549	604	659	769	824	879
DC18WS R-L	568	625	682	796	852	909
DC21WS R-L	596	656	716	835	894	954
DC24WS R-L	618	680	742	866	927	989

- » DCWS unit includes a solid wood writing shelf finished to match the cabinet exterior.
- » When DC_WS is ordered with a 5-piece drawer front option, the top drawer will be slab in all door styles.

DESK TOWER CABINETS



W: 15, 18, 21, 24

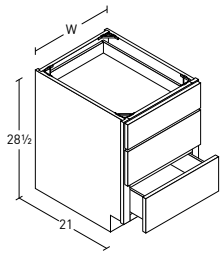


W: 24, 27, 30

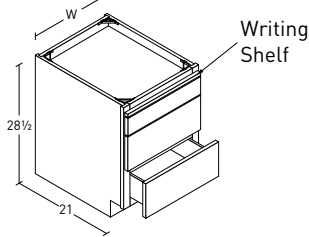
ITEM	A	B	C	D	E	F
DTC15 R-L	343	378	412	481	515	549
DTC18 R-L	360	396	432	504	540	576
DTC21 R-L	389	428	467	545	584	623
DTC24 R-L	409	450	491	573	614	655
DTC24 B	437	481	525	612	656	700
DTC27 B	491	541	590	688	737	786
DTC30 B	510	561	612	714	765	816

- » Includes one full depth adjustable shelf.

DESK THREE DRAWER CABINETS



W: 15, 18, 21, 24, 27, 30



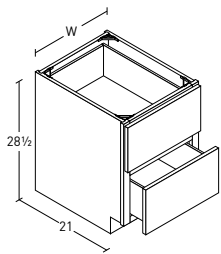
W: 15, 18, 21, 24

ITEM	A	B	C	D	E	F
STANDARD						
D3DC15	868	868	868	868	936	993
D3DC18	913	913	913	913	986	1046
D3DC21	963	963	963	963	1041	1104
D3DC24	1021	1021	1021	1021	1103	1172
D3DC27	1150	1150	1150	1150	1246	1324
D3DC30	1174	1174	1174	1174	1272	1353

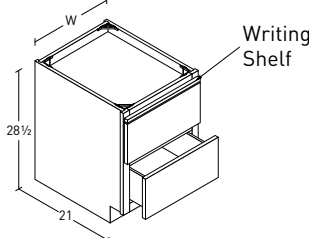
ITEM	A	B	C	D	E	F
WRITING SHELF						
D3DC15WS	984	1083	1181	1378	1476	1575
D3DC18WS	1029	1132	1235	1441	1544	1647
D3DC21WS	1079	1187	1295	1511	1619	1727
D3DC24WS	1137	1251	1365	1592	1706	1820

- » DDCWS unit includes a solid wood writing shelf finished to match the cabinet exterior.
- » When D3DC__WS is ordered with a 5-piece drawer front option, the top drawer will be slab in all door styles.

DESK TWO DRAWER CABINETS



W: 15, 18, 21, 24, 27, 30



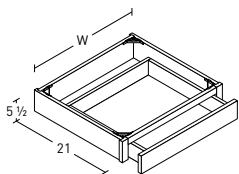
W: 15, 18, 21, 24

ITEM	A	B	C	D	E	F
STANDARD						
D2DC15	728	728	728	728	788	837
D2DC18	750	750	750	750	811	863
D2DC21	823	823	823	823	891	948
D2DC24	879	879	879	879	955	1015
D2DC27	1010	1010	1010	1010	1097	1168
D2DC30	1033	1033	1033	1033	1123	1196

ITEM	A	B	C	D	E	F
WRITING SHELF						
D2DC15WS	844	844	844	844	929	1013
D2DC18WS	866	866	866	866	953	1040
D2DC21WS	939	939	939	939	1033	1127
D2DC24WS	995	995	995	995	1095	1194

- » DDCWS unit includes a solid wood writing shelf finished to match the cabinet exterior.
- » Receives two 8" high drawers which will not accept files.
- » When D2DC__WS is ordered with a 5-piece drawer front option, the top drawer will be slab in all door styles.

DRAWER UNITS

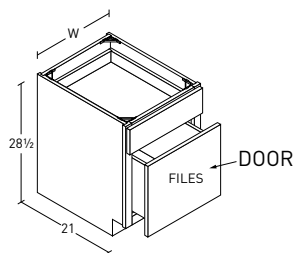


W: 24, 27, 30, 33, 36, 39, 42

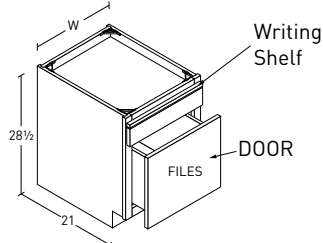
ITEM		
VDU24	(21" Deep)	408
VDU27	(21" Deep)	423
VDU30	(21" Deep)	438
VDU33	(21" Deep)	454
VDU36	(21" Deep)	479
VDU39	(21" Deep)	514
VDU42	(21" Deep)	542

- » Drawer box is 2 3/8" high.
- » Will come with slab front in all door styles.
- » Drawer unit built with 1 1/2" stiles which are not trimmable. No bottom rail or bottom.

DESK FILE DRAWER CABINETS



W: 15, 18, 21, 24, 27, 30

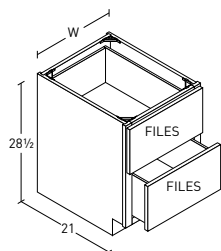


W: 15, 18, 21, 24

ITEM	CONFIGURATION	A	B	C	D	E	F
STANDARD							
DFD15	Lateral -Letter/Legal	781	860	938	1094	1172	1250
DFD18	Vertical -Letter	803	884	964	1125	1205	1285
DFD21	Vertical -Letter/Legal	876	964	1052	1227	1314	1402
DFD24	Lateral -Letter/Legal	932	1026	1119	1305	1398	1492
DFD27	Lateral -Letter/Legal	1063	1170	1276	1489	1595	1701
DFD30	Lateral -Letter/Legal	1086	1195	1304	1521	1629	1738
WRITING SHELF							
DFD15WS	Lateral -Letter/Legal	897	987	1077	1256	1346	1436
DFD18WS	Vertical -Letter	919	1011	1103	1287	1379	1471
DFD21WS	Vertical -Letter/Legal	992	1092	1191	1389	1488	1588
DFD24WS	Lateral -Letter/Legal	1048	1153	1258	1468	1572	1677

- » Hanging file hardware is included and attached to drawer box sides. Unless noted otherwise above, hardware may be adjusted to accommodate letter-size or legal-size hanging files.
- » Hanging files not included.
- » Lower file drawer is a door that pulls out with drawer.
- » DFD_WS unit includes a solid wood writing shelf finished to match the cabinet exterior.
- » If a cabinet with a lateral file configuration is reduced to 18" deep, it cannot hold legal-size folders.

DESK TWO FILE DRAWER CABINETS

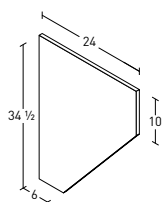


W: 15, 18, 21, 24, 27, 30

ITEM	CONFIGURATION	A	B	C	D	E	F
D2FD15	Lateral -Letter/Legal	834	918	1001	1168	1251	1335
D2FD18	Vertical -Letter	856	942	1028	1199	1284	1370
D2FD21	Vertical -Letter/Legal	929	1022	1115	1301	1394	1487
D2FD24	Lateral -Letter/Legal	985	1084	1182	1379	1478	1576
D2FD27	Lateral -Letter/Legal	1116	1228	1340	1563	1674	1786
D2FD30	Lateral -Letter/Legal	1139	1253	1367	1595	1709	1823

- » Hanging file hardware is included and attached to drawer box sides. Unless noted otherwise above, hardware may be adjusted to accommodate letter-size or legal-size hanging files.
- » Hanging files not included.
- » Two File drawer cabinets have side-mounted drawer guides and no middle rail.
- » If a cabinet with a lateral file configuration is reduced to 18" deep, it cannot hold legal-size folders.

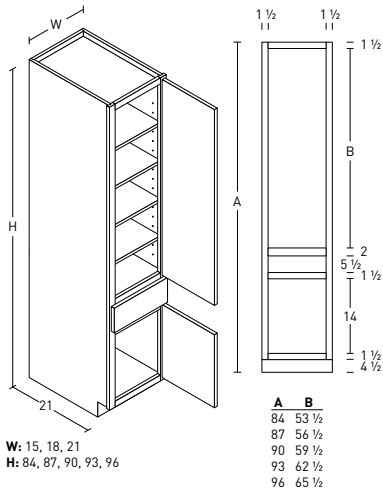
DESK LEG



ITEM	
AHVDL34	250

- » 3/4" wood veneer, finished both sides.
- » Standard 24" deep. Trim to 21" deep for desk installation.
- » Standard 34 1/2" high. Trim to 28 1/2" for standard height desk installation.

DESK UTILITY BASE BOTTOM CABINETS

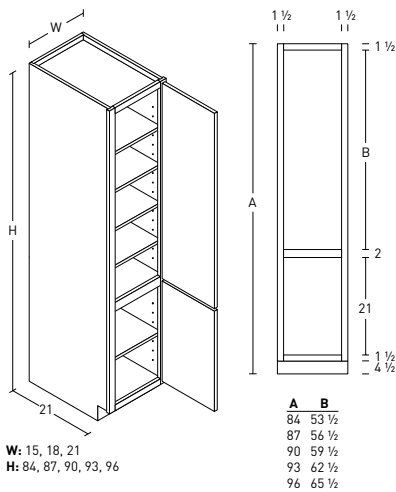


See Modifications to order loose toe.

ITEM	A	B	C	D	E	F
84" HIGH						
DUB1584 R-L	929	1017	1105	1280	1367	1455
DUB1884 R-L	1005	1101	1196	1386	1481	1577
DUB2184 R-L	1081	1184	1287	1493	1595	1698
87" HIGH						
DUB1587 R-L	1124	1232	1339	1553	1660	1767
DUB1887 R-L	1184	1298	1411	1637	1750	1863
DUB2187 R-L	1243	1362	1481	1719	1838	1957
90" HIGH						
DUB1590 R-L	1124	1232	1339	1553	1660	1767
DUB1890 R-L	1184	1298	1411	1637	1750	1863
DUB2190 R-L	1243	1362	1481	1719	1838	1957
93" HIGH						
DUB1593 R-L	1200	1315	1430	1659	1774	1889
DUB1893 R-L	1268	1390	1511	1754	1876	1997
DUB2193 R-L	1329	1457	1585	1840	1967	2095
96" HIGH						
DUB1596 R-L	1200	1315	1430	1659	1774	1889
DUB1896 R-L	1268	1390	1511	1754	1876	1997
DUB2196 R-L	1329	1457	1585	1840	1967	2095

- » Bottom section matches desk cabinet with top drawer.
- » Four shelves in top section.
- » All utility cabinets ship with built-in toe kick. See Modifications to order loose toe kick.

DESK UTILITY FHD BOTTOM CABINETS

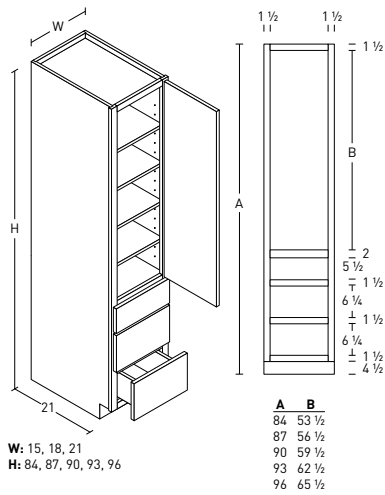


See Modifications to order loose toe.

ITEM	A	B	C	D	E	F
84" HIGH						
DUF1584 R-L	838	922	1006	1174	1257	1341
DUF1884 R-L	914	1006	1097	1280	1371	1463
DUF2184 R-L	990	1089	1188	1386	1485	1584
87" HIGH						
DUF1587 R-L	1033	1137	1240	1447	1550	1653
DUF1887 R-L	1093	1203	1312	1531	1640	1749
DUF2187 R-L	1152	1268	1383	1613	1728	1844
90" HIGH						
DUF1590 R-L	1033	1137	1240	1447	1550	1653
DUF1890 R-L	1093	1203	1312	1531	1640	1749
DUF2190 R-L	1152	1268	1383	1613	1728	1844
93" HIGH						
DUF1593 R-L	1109	1220	1331	1553	1664	1775
DUF1893 R-L	1177	1295	1413	1648	1766	1884
DUF2193 R-L	1238	1362	1486	1734	1857	1981
96" HIGH						
DUF1596 R-L	1109	1220	1331	1553	1664	1775
DUF1896 R-L	1177	1295	1413	1648	1766	1884
DUF2196 R-L	1238	1362	1486	1734	1857	1981

- » Bottom section matches desk tower cabinet.
- » Four shelves in top section, one in bottom.
- » All utility cabinets ship with built-in toe kick. See Modifications to order loose toe kick.

DESK UTILITY THREE DRAWER CABINETS



See Modifications to order loose toe.

ITEM	A	B	C	D	E	F
84" HIGH						
DU3D1584 R-L	1290	1404	1517	1743	1856	1969
DU3D1884 R-L	1366	1487	1608	1849	1970	2091
DU3D2184 R-L	1442	1571	1699	1956	2084	2212
87" HIGH						
DU3D1587 R-L	1485	1618	1751	2016	2148	2281
DU3D1887 R-L	1545	1684	1823	2100	2238	2377
DU3D2187 R-L	1604	1749	1893	2182	2327	2471
90" HIGH						
DU3D1590 R-L	1485	1618	1751	2016	2148	2281
DU3D1890 R-L	1545	1684	1823	2100	2238	2377
DU3D2190 R-L	1604	1749	1893	2182	2327	2471
93" HIGH						
DU3D1593 R-L	1561	1702	1842	2122	2262	2403
DU3D1893 R-L	1629	1776	1923	2217	2364	2511
DU3D2193 R-L	1690	1844	1997	2303	2456	2609
96" HIGH						
DU3D1596 R-L	1561	1702	1842	2122	2262	2403
DU3D1896 R-L	1629	1776	1923	2217	2364	2511
DU3D2196 R-L	1690	1844	1997	2303	2456	2609

- » Bottom section matches desk three drawer cabinet.
- » Four shelves in top section.
- » All utility cabinets ship with built-in toe kick. See Modifications to order loose toe kick.

PREFERRED
BY KARMAN



PREFERRED BY KARMAN

ISLANDS

SECTION 11

Index by Category and Name

COMPONENTS

Functional Island Design Idea - - - - -	11-2
Furniture Style Vanity Design Idea - - - - -	11-2
Island Component Base End with Fluted Island Legs - - - - -	11-4
Island Component Base End with Rope Island Legs - - - - -	11-4
Island Component Base End with Shaker Island Legs - - - - -	11-4
Island Component Base End with Traditional Island Legs - - - - -	11-4
Island Component Basket Unit - - - - -	11-3
Island Component Center Support - - - - -	11-5
Island Component Door Unit - - - - -	11-3
Island Component Double Drawer Unit - - - - -	11-3
Island Component Shelves - - - - -	11-5
Island Component Single Drawer Unit - - - - -	11-3
Island Design Idea - - - - -	11-1
Shaker Island Design Idea - - - - -	11-1

PRE-BUILT ISLANDS

Island with Fluted Island Legs - - - - -	11-6
Island with Rope Island Legs - - - - -	11-6
Island with Shaker Island Legs - - - - -	11-6
Island with Traditional Island Legs - - - - -	11-6
Wood Butcher Block Top - - - - -	11-6

PREFERRED BY KARMAN

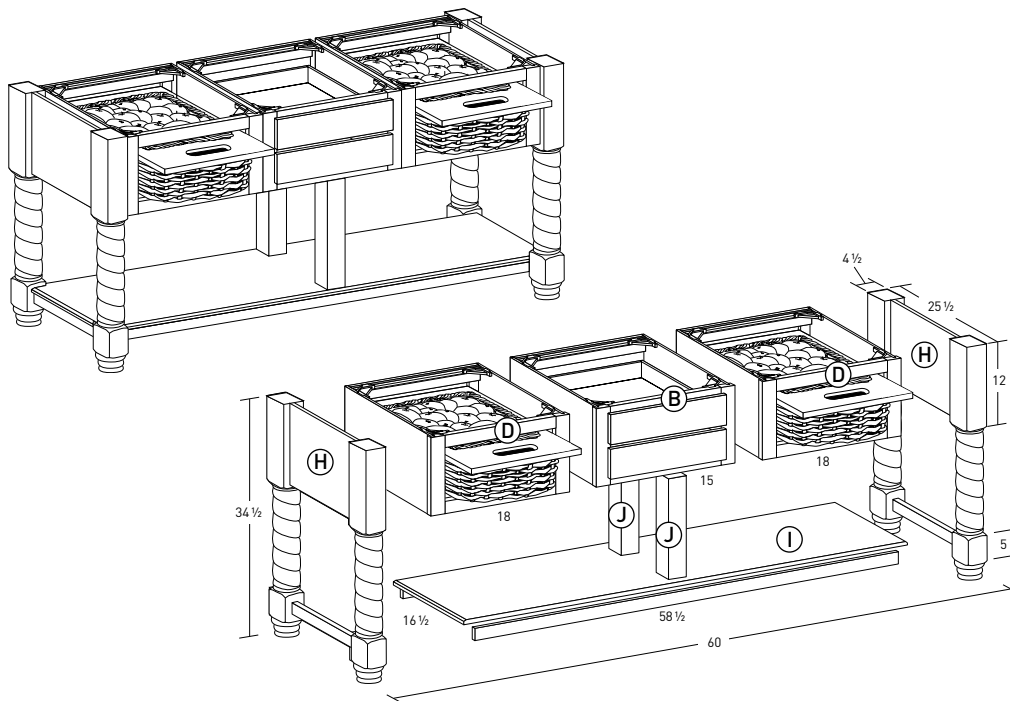
ISLANDS

Index by Nomenclature

ICBE24FIL --(Island Component Legs) -11-4	ICCS_ -----(Island Component) ---11-5	I_FIL -----(Pre-Built Islands) ----11-6
ICBE24RIL_ (Island Component Legs) -11-4	ICDD_ -----(Island Component) ---11-3	I_RIL -----(Pre-Built Islands) ----11-6
ICBE24SIL_ - (Island Component Legs) -11-4	ICDU_ -----(Island Component) ---11-3	I_SIL -----(Pre-Built Islands) ----11-6
ICBE24TIL_ - (Island Component Legs) -11-4	ICSD_ -----(Island Component) ---11-3	I_TIL -----(Pre-Built Islands) ----11-6
ICBU_ -----(Island Component) -----11-3	ICS_ -----(Island Components) ----11-5	WBBT_SG --- (Butcher Block Tops) ---- 11-6

ISLAND DESIGN IDEA

(Example A)



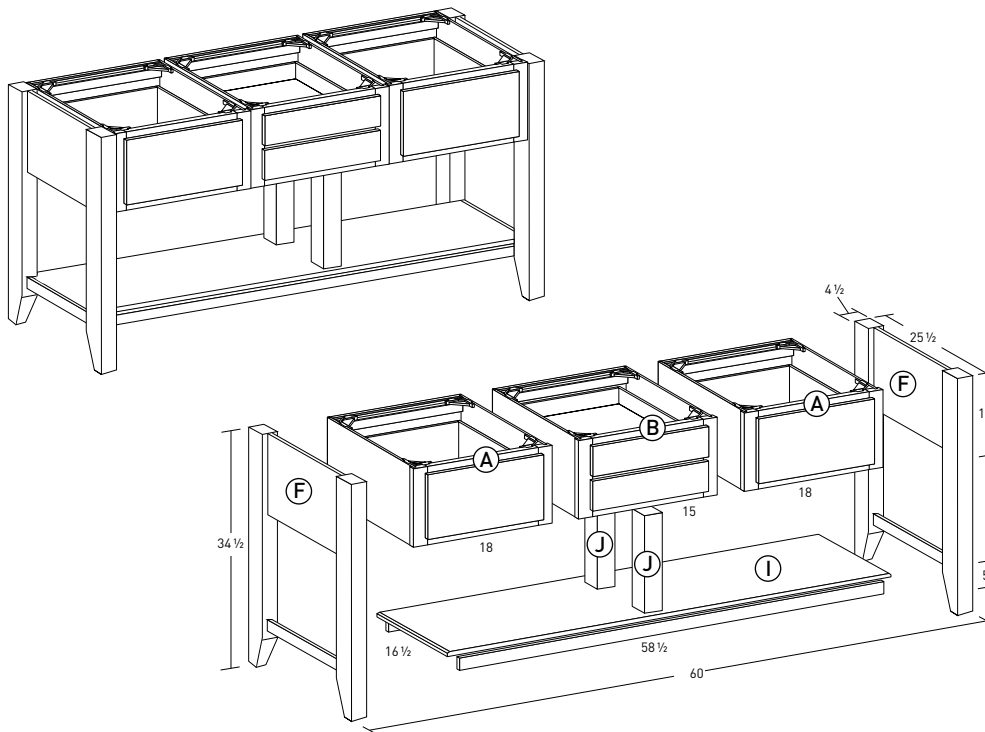
To create this example order the following:

- B~ (1) ICDD15
- D~ (2) ICBU18
- H~ (2) ICBE24RIL
- I~ (1) ICS60
- J~ (2) ICCS (trim to fit)

Letters correspond with each individual island component on next pages.

SHAKER ISLAND DESIGN IDEA

(Example B)



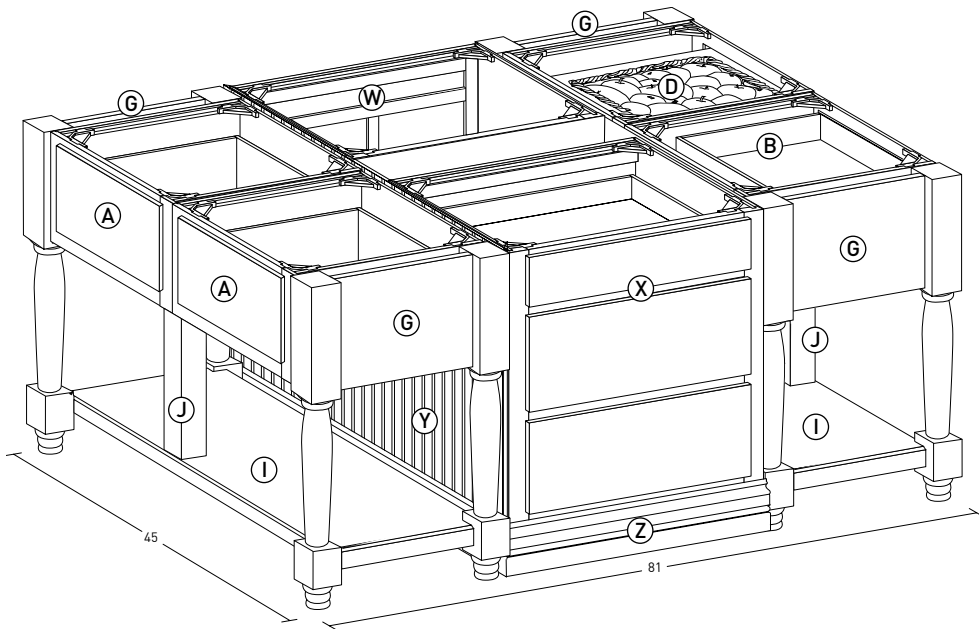
To create this example order the following:

- A~ (2) ICSD18
- B~ (1) ICDD15
- F~ (2) ICBE24SIL
- I~ (1) ICS60
- J~ (2) ICCS (trim to fit)

Letters correspond with each individual island component on next pages.

FUNCTIONAL ISLAND DESIGN IDEA

(Example C)



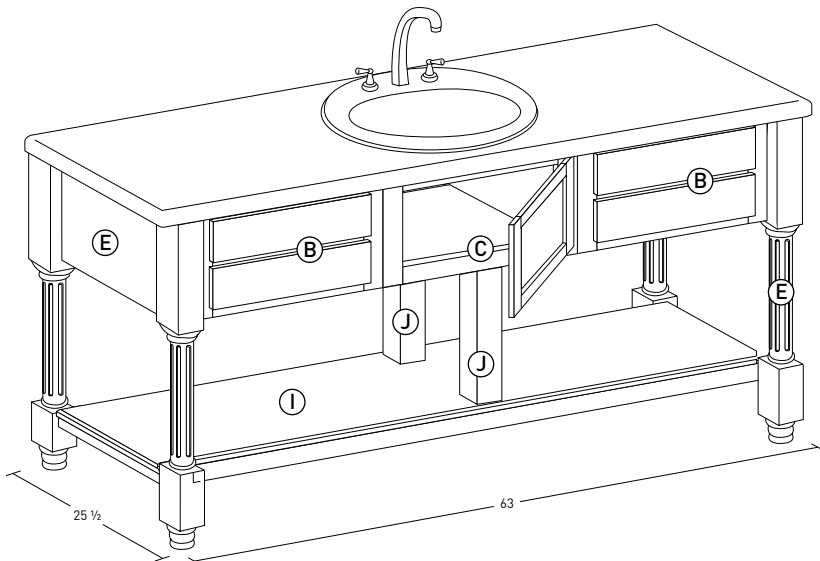
To create this example order the following:

- A- (2) ICSD18
- B- (1) ICDD18
- D- (1) ICBU18
- G- (4) ICBE24TIL
- I- (2) ICS45
- J- (2) ICCS (trim to fit)
- W- (1) RB30
- X- (1) B3D30 reduced depth 21
- Y- (1) FBP4834, beaded
- Z- (1) CBM08

Letters correspond with each individual island component on next pages except for items W through Z.

FURNITURE STYLE VANITY DESIGN IDEA

(Example D)

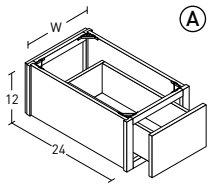


To create this example order the following:

- B- (2) ICDD18
- C- (1) ICPU18 (remove rear door)
- E- (2) ICBE24FIL
- I- (1) ICS63
- J- ICCS (trim to fit)

Letters correspond with each individual island component on next pages.

ISLAND COMPONENT SINGLE DRAWER UNIT

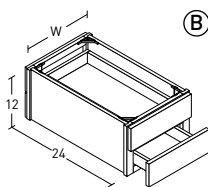


W: 15, 18, 21, 24

ITEM	A	B	C	D	E	F
ICSD15	736	810	884	1031	1104	1178
ICSD18	767	844	921	1074	1151	1228
ICSD21	857	943	1029	1200	1286	1372
ICSD24	967	1064	1161	1354	1451	1548

- » Available 21" deep at no charge. (Ex. ICSD15 -21)
- » ¾" unfinished plywood flush ends standard.
- » Functional drawer on front with false front on back.

ISLAND COMPONENT DOUBLE DRAWER UNIT

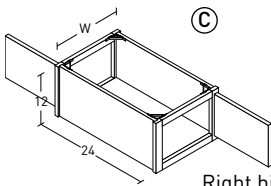


W: 15, 18, 21, 24

ITEM	A	B	C	D	E	F
ICDD15	966	1063	1160	1353	1449	1546
ICDD18	997	1097	1197	1396	1496	1596
ICDD21	1026	1129	1232	1437	1539	1642
ICDD24	1057	1163	1269	1480	1586	1692

- » Available 21" deep at no charge. (Ex. ICDD15 -21)
- » ¾" unfinished plywood flush ends standard.
- » Functional drawers on front with false fronts on back.
- » Recessed panel drawer on all standard five-piece fronts and five-piece front options.

ISLAND COMPONENT DOOR UNIT



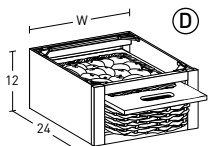
W: 15, 18, 21, 24

Right hinge shown.
(Both doors hinged right)

ITEM	A	B	C	D	E	F
ICDU15 R-L	241	266	290	338	362	386
ICDU18 R-L	309	340	371	433	464	495
ICDU21 R-L	374	412	449	524	561	599
ICDU24 R-L	441	486	530	618	662	706

- » Available 21" deep at no charge. (Ex. ICDU15 -21L)
- » ¾" unfinished plywood flush ends standard.

ISLAND COMPONENT BASKET UNIT

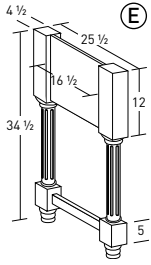


W: 15, 18

ITEM	
ICBU15	873
ICBU18	897

- » Basket functional front and back.
- » Not available 21".
- » ¾" unfinished plywood flush ends standard.
- » Finished interior standard.
- » Not available in vintage or rustic.

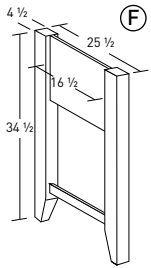
ISLAND COMPONENT BASE END WITH FLUTED ISLAND LEGS



ITEM	ACTUAL WIDTH	
ICBE24FIL	25 1/2"	1257

- » Reversible for left or right application.
- » 16 1/2" width x 12" height inside dimension.
- » Available 21" deep at no charge. (Ex. ICBE21FIL)
- » Actual depth is 25 1/2". When ordering reduced depth to 21" actual depth is 22 1/2".
- » Legs not available in rustic.

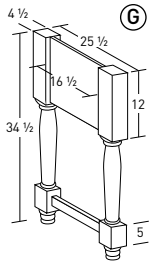
ISLAND COMPONENT BASE END WITH SHAKER ISLAND LEGS



ITEM	ACTUAL WIDTH	
ICBE24SIL	25 1/2"	1104

- » Reversible for left or right application.
- » 16 1/2" width x 12" height inside dimension.
- » Available 21" deep at no charge. (Ex. ICBE21SIL)
- » When ordering reduced depth to 21" actual depth is 22 1/2".
- » Legs not available in rustic.

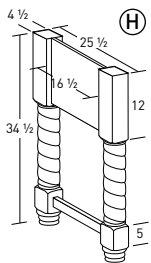
ISLAND COMPONENT BASE END WITH TRADITIONAL ISLAND LEGS



ITEM	ACTUAL WIDTH	
ICBE24TIL	25 1/2"	1151

- » 16 1/2" width x 12" height inside dimension.
- » Available 21" deep at no charge. (Ex. ICBE21TIL)
- » When ordering reduced depth to 21" actual depth is 22 1/2".
- » Legs not available in rustic.

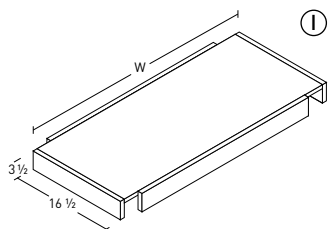
ISLAND COMPONENT BASE END WITH ROPE ISLAND LEGS



ITEM	ACTUAL WIDTH	
ICBE24RIL	25 1/2"	1334

- » 16 1/2" width x 12" height inside dimension.
- » Available 21" deep at no charge. (Ex. ICBE21RIL)
- » When ordering reduced depth to 21" actual depth is 22 1/2".
- » Legs not available in rustic.

ISLAND COMPONENT SHELVES

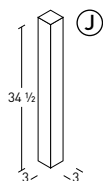


W: 37 1/2, 40 1/2, 43 1/2, 46 1/2, 49 1/2, 52 1/2, 55 1/2, 58 1/2, 61 1/2

ITEM	ACTUAL WIDTH	
ICS39	37 1/2"	349
ICS42	40 1/2"	376
ICS45	43 1/2"	405
ICS48	46 1/2"	433
ICS51	49 1/2"	460
ICS54	52 1/2"	488
ICS57	55 1/2"	517
ICS60	58 1/2"	544
ICS63	61 1/2"	572

- » Available 21" deep at no charge. (Ex. ICS39-21)
- » 3/4" thick plywood shelf with 3 1/2" support rails applied to all sides.
- » Two support rails and brackets are factory installed.
- » Not trimmable.
- » Actual depth is 16 1/2". When ordering reduced depth to 21" actual depth is 13 1/2".
- » Not available in rustic.

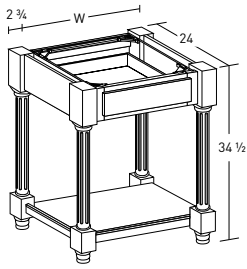
ISLAND COMPONENT CENTER SUPPORT



ITEM	
ICCS	203

- » Recommended for islands 36" wide or wider.
- » Trimmable.
- » Not available in rustic.

ISLAND WITH FLUTED ISLAND LEGS

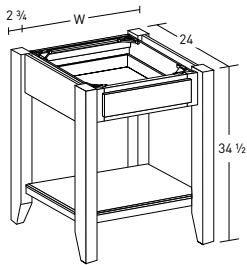


W: 24, 30, 36

ITEM	
I24FIL	2283
I30FIL	2436
I36FIL	2505

- » Functional drawer on front with false front on back. Drawer front will always be slab.
- » Wood butcher block top available, see below.
- » Legs not available in rustic.

ISLAND WITH SHAKER ISLAND LEGS

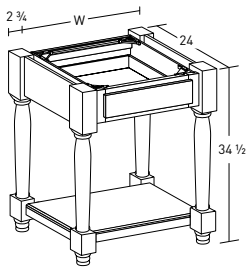


W: 24, 30, 36

ITEM	
I24SIL	2283
I30SIL	2436
I36SIL	2505

- » Functional drawer on front with false front on back. Drawer front will always be slab.
- » Wood butcher block top available, see below.
- » Legs not available in rustic.

ISLAND WITH TRADITIONAL ISLAND LEGS

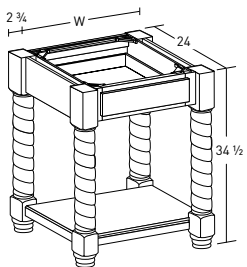


W: 24, 30, 36

ITEM	
I24TIL	2134
I30TIL	2240
I36TIL	2356

- » Functional drawer on front with false front on back. Drawer front will always be slab.
- » Wood butcher block top available, see below.
- » Legs not available in rustic.

ISLAND WITH ROPE ISLAND LEGS

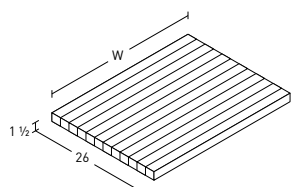


W: 24, 30, 36

ITEM	
I24RIL	2376
I30RIL	2428
I36RIL	2545

- » Functional drawer on front with false front on back. Drawer front will always be slab.
- » Wood butcher block top available, see below.
- » Legs not available in rustic.

WOOD BUTCHER BLOCK TOP



W: 26, 32, 38

ITEM	ACTUAL SIZE	
WBBT24SG	26" W x 26" D	428
WBBT30SG	32" W x 26" D	514
WBBT36SG	38" W x 26" D	597

- » 1 1/2" solid maple.
- » Manufacturer recommends John Boos Mystery Oil for care of butcher block tops that are used as a working / cutting surface. John Boos Mystery Oil can be ordered direct from wood top manufacturer at www.johnboos.com.

PREFERRED BY KARMAN

MODS & ACCESSORIES SECTION 12

Index by Category and Name

BOX

Angled Side	12-3
Cabinet Case Only	12-2
Clipped Corner	12-5
Double Entry	12-3
Dust Cover	12-5
Extend Side Back	12-5
Extend Side Up/Down	12-5
Face Frame and Doors Only	12-2
Face Frame Only	12-2
Finished Bottom	12-4
Finished Interior	12-4
Finished Interior with Beaded Back	12-4
Increase Cabinet Dimension	12-1
Interior Partition	12-5
No Floor	12-4
Offset Corner	12-3
One-Piece Modification	12-2
Pipe Chase	12-3
Pocket Door	12-4
Reduce Cabinet Dimension	12-1
Split Back Sink Base	12-3

FRAME

3-Door	12-8
4-Door	12-8
Angled Panel	12-7
Angled Stile	12-7
Chamfer Frame Stile	12-8
Extended Rail	12-6
Extended Stile	12-7
Furniture Frame Stile	12-8
Inverted Frame	12-9
Modify Frame	12-9
Oven Cut-out	12-9
Split Leg Onlay	12-9
Top/Bottom Valance	12-6
Wide Rail	12-6
Wide Stile	12-7

DOOR & DRAWER FRONTS

Crescent Doors	12-10
Lift-Up Door Systems	12-12
Mullion Doors	12-11
Prepared-For-Glass Doors	12-11
Staple Drawers	12-10
Victorian Doors	12-10

ENDS

Beaded Finished End	12-13
Finished End	12-13
Frame on End -Functional Door	12-13
Frame on End -Non-Functional Door	12-13
Integrated Wainscot Panel End	12-14
Organizational End	12-14

TOE KICK

Extend Stile to Floor	12-16
Flush Toe Kick	12-16
Flush Toe Kick with Valance	12-16
Loose Toe Kick	12-15
No Toe Kick-	12-15
Prep for Bunn Foot	12-17
Toe Kick on Back	12-15
Toe Kick on Side	12-15
Toe Kick with Drawer	12-17
Universal Access Toe Kick	12-17
Valance Toe Kick Effect	12-16

DRAWER

Add Bread Board	12-18
Add Drawer	12-18
Adjustable Drawer Dividers	12-21
Bread Drawer Cover Kit	12-22
Cutlery Drawer Tray	12-21
Docking Drawer	12-20
Drawer Divider	12-20
Drawer Pipe Chase	12-20
Increase Drawer Box	12-18
Knife Drawer Kit	12-22
Pantry Roll-Out Kit	12-19
Peg Organizer	12-22
Reduce Drawer Box	12-18
Roll-Out Trays	12-19
Spice Drawer Insert	12-22
Split Drawer	12-18
Wood Cutlery Drawer Inserts	12-21
Wood Double Tiered Cutlery Drawer	12-22

SPACE UTILIZATION

Lift Out Shelf	12-24
Pull-Down Rack	12-23
Pull-Out Towel Rack	12-23
-----	-----
Sink Spill Mat	12-23
Tip-Out Tray	12-23
Tray Divider	12-24
Wardrobe Rod	12-24
Wood Spice Rack	12-24

MISCELLANEOUS

Add Designer Profile	12-25
Add Fluting	12-25
Add Heel to Molding	12-26
Add Miter	12-26
Crown Assembly	12-25
Omit Shelf Holes	12-26
Shelf Edge Treatment	12-26
Wainscot Return	12-27

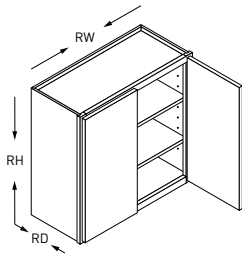
PREFERRED BY KARMAN

MODS & ACCESSORIES

Index by Nomenclature

A-ADD_	(Drawer Dividers)	12-21	M-ASU	(Angled Side)	12-3	M-OC	(Offset Corner)	12-3
A-BDC	(Bread Drawer)	12-22	M-BFE	(Beaded Fin. End)	12-13	M-OCO	(Oven Cut -Out)	12-9
A-BP_	(Base Plate)	12-22	M-BV	(Bottom Valance)	12-6	M-OE	(Organizational End)	12-14
A-CDT	(Cutlery Tray)	12-21	M-CC	(Clipped Corner)	12-5	M-OFIB	(Fin. Beaded Interior)	12-4
A-DD	(Drawer Divider)	12-20	M-CCO	(Cabinet Case Only)	12-2	M-OFI	(Open Fin. Interior)	12-4
A-DRT_	(Roll -Out Tray)	12-19	M-CFS	(Chamfer Stile)	12-8	M-OP	(1 -Piece Mod)	12-2
A-KDK	(Knife Drawer)	12-22	M-CRED	(Crescent Doors)	12-10	M-OSH	(Omit Shelf Holes)	12-26
A-LOS	(Lift Out Shelf)	12-24	M-DC	(Dust Cover)	12-5	M-PAR	(Interior Partition)	12-5
A-LU-__	(Lift -Up Doors)	12-12	M-DD	(Docking Drawer)	12-20	M-PC	(Pipe Chase)	12-3
A-P4RK_	(Pantry Roll -Outs)	12-19	M-DE	(Double Entry)	12-3	M-PD	(Pocket Doors)	12-4
A-P5RK_	(Pantry Roll -Outs)	12-19	M-DPC	(Drawer Pipe Chase)	12-20	M-PDPS	(Pocket Doors/Shelves)	12-4
A-PDR_	(Pull -Down Rack)	12-23	M-ERB	(Extend Rail Bottom)	12-6	M-PFBF	(Prep for Bunn Foot)	12-17
A-PR	(Round Peg)	12-22	M-ERT	(Extend Rail Top)	12-6	M-PPG	(Prepared for Glass)	12-11
A-PTR	(Pull -Out Towel)	12-23	M-ESB	(Extend Side Back)	12-5	M-RDD	(Reduce Drawer)	12-18
			M-ESDN	(Extend Side Down)	12-5	M-RDH	(Reduce Drawer)	12-18
A-RT_	(Roll-Out Tray)	12-19	M-ESF	(Ext. Stile to Floor)	12-16	M-RD_	(Reduced Depth)	12-1
A-SDI	(Spice Drawer)	12-22	M-EST	(Extend Stile)	12-7	M-RH_	(Reduced Height)	12-1
A-SR_	(Spice Rack)	12-24	M-ESUP	(Extend Side Up)	12-5	M-RTRN	(Wainscot Return)	12-27
A-SRT_	(Roll-Out Tray)	12-19	M-FBO	(Finished Bottom)	12-4	M-RW_	(Reduced Width)	12-1
A-SSM	(Sink Spill Mat)	12-23	M-FEFD	(Frame on End)	12-13	M-SBSB	(Split Back)	12-3
A-TD	(Tray Divider)	12-24	M-FE	(Finished End)	12-13	M-SD	(Split Drawer)	12-18
A-TOT	(Tip-Out Tray)	12-23	M-FENFD	(Frame on End)	12-13	M-SET_	(Shelf Edge)	12-26
A-WCDI_	(Wood Cutlery)	12-21	M-FFDO	(Face Frame & Doors)	12-2	M-SLO	(Spit Leg Onlay)	12-9
A-WDTCD	(2 -Tiered Cutlery)	12-22	M-FFO	(Face Frame Only)	12-2	M-STD	(Staple Drawers)	12-10
A-WR	(Wardrobe Rod)	12-24	M-FFS	(Furniture Stile)	12-8	M-TKD	(Toe w/ Drawer)	12-17
CRA_	(Crown Assembly)	12-25	M-FIB	(Fin. Beaded Interior)	12-4	M-TKOB	(Toe Kick on Back)	12-15
M-3D	(Three Doors)	12-8	M-FI	(Finished Interior)	12-4	M-TKOS	(Toe Kick on Side)	12-15
M-4D	(Four Doors)	12-8	M-FTK	(Flush Toe Kick)	12-16	M-TKOW	(Toe on Wall Cab.)	12-17
M-9MD	(Mullion Door)	12-11	M-FTKV	(Flush Valance Toe)	12-16	M-TV	(Top Valance)	12-6
M-11MD	(Mullion Door)	12-11	M-IDB	(Increase Drawer)	12-18	M-UATK	(Universal Toe)	12-17
M-ABB	(Add Bread Board)	12-18	M-ID_	(Increased Depth)	12-1	M-VICB	(Victorian Doors)	12-10
M-AD	(Add Drawer)	12-18	M-IF	(Inverted Frame)	12-9	M-VICT	(Victorian Doors)	12-10
M-ADP	(Add Profile)	12-25	M-IH_	(Increased Height)	12-1	M-VTKE	(Valance Toe Effect)	12-16
M-AF_	(Add Fluting)	12-25	M-IW_	(Increased Width)	12-1	M-WRB	(Wide Rail Bottom)	12-6
M-AHM	(Add Heel)	12-26	M-IWP	(Integrated Wainscot)	12-14	M-WRT	(Wide Rail Top)	12-6
M-AMB	(Add Miter)	12-26	M-LTK	(Loose Toe Kick)	12-15	M-WST	(Wide Stile)	12-7
M-AMF	(Add Miter)	12-26	M-MD	(Mullion Door)	12-11	M-XMD	(Mullion Door)	12-11
M-AP	(Angled Panel)	12-7	M-MF	(Modify Frame)	12-9			
M-ASC	(Angled Side)	12-3	M-NF	(No Floor)	12-4			
M-AST	(Angled Stile)	12-7	M-NTK	(No Toe Kick)	12-15			

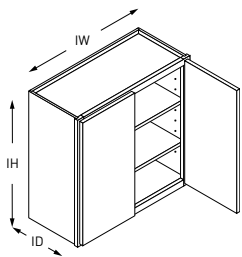
REDUCE CABINET DIMENSION



ITEM	Description	
Wall Cabinets		
M-RD-W	Reduced Depth	Price Next Larger Cabinet
M-RW-W	Reduced Width	Price Next Larger Cabinet
M-RH-W	Reduced Height	Price Next Larger Cabinet
Base/Vanity/Desk Cabinets		
M-RD-B	Reduced Depth	Price Next Larger Cabinet
M-RW-B	Reduced Width	Price Next Larger Cabinet
M-RH-B	Reduced Height	Price Next Larger Cabinet
Tall Cabinets		
M-RD-T	Reduced Depth	Price Next Larger Cabinet
M-RW-T	Reduced Width	Price Next Larger Cabinet
M-RH-T	Reduced Height	Price Next Larger Cabinet

- » Always price next larger cabinet. For example, a wall cabinet reduced in height to 29" will be priced as a 30" high wall cabinet.
- » Size may be reduced in 1/16" increments.
- » Top drawer opening on base cabinets will remain the same.
- » Cabinets with multiple openings where it is unclear which opening will be effected will require a custom drawing for your approval.

INCREASE CABINET DIMENSION



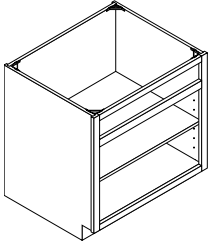
ITEM	Description	
Wall Cabinets		
M-ID-W	Increased Depth	236
M-IW-W	Increased Width	236
M-IH-W	Increased Height	236
Base/Vanity/Desk Cabinets		
M-ID-B	Increased Depth	236
M-IW-B	Increased Width	Custom Quote Required
M-IH-B	Increased Height	289
Tall Cabinets		
M-ID-T	Increased Depth	289
M-IW-T	Increased Width	289
M-IH-T	Increased Height	*Extended Lead Times. See Note at Left. 1421

*Tall items with M-IH-T mod:

- Lead times will be increased by 10 days.
- MDF core material will be used in all species and all Karman construction methods. (IE. If Plywood upgrade is ordered, all items over 96" tall will receive MDF core with wood veneers instead of plywood.)

- » Cost is added to price of largest available cabinet. For example, a wall cabinet increased to 48" high will be priced as a 42" high wall cabinet plus 236.
- » Size may be reduced in 1/16" increments.
- » When increasing depth of cabinets with drawers, the drawer boxes will remain same depth. When the cabinet is increased to 27" or 30" deep, the drawer box and slides can be increased as an option. Specify M-IDB modification and appropriate charge.
- » Cabinets with multiple openings where it is unclear which opening will be affected will require a custom drawing for your approval.
- » Max depth: 30" on wall, base, and tall cabinets.
- » Max width: 60" on wall cabinets, 48" on tall cabinets.
- » Max height: 60" on wall cabinets, 48" on base cabinets, 120" on tall cabinets.
- » Drawer bases increased in height will be built around standard drawer box heights of 4 1/2", 8" and 10 1/2" unless special quote is submitted.
- » Wall cabinets taller than 42" will require a two panel door. Not recommended in mitered door styles.
- » M-IH-T may also be applied to 96" high column boxes, end panels, refrigerator panels, and tall wainscot panels at the full 1421 price. Maximum height is still 120".

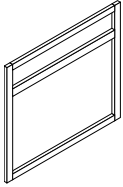
CABINET CASE ONLY



ITEM	WALL	BASE/VANITY/DESK	TALL
M-CCO	-25%	-25%	-25%

- » 25% off of Price Group A.
- » Doors, drawer fronts, drawers and hardware are removed.
- » Shelves remain in cabinet.

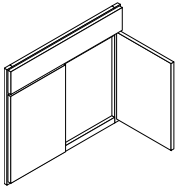
FACE FRAME ONLY



ITEM	WALL	BASE/VANITY/DESK	TALL
M-FFO	-75%	-75%	-75%

- » 75% off of Price Group A.
- » Cabinet face frame only. Box, doors, drawer fronts, drawers, shelves, and hardware are removed.

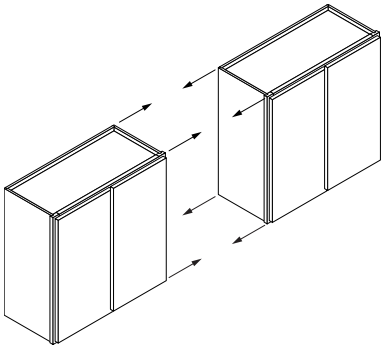
FACE FRAME AND DOORS ONLY



ITEM	WALL	BASE/VANITY/DESK	TALL
M-FFDO	-25%	-25%	-25%

- » 25% off of cabinet price.

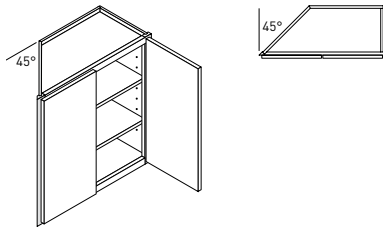
ONE-PIECE MODIFICATION



ITEM	WALL	BASE/VANITY/DESK	TALL
M-OP	236	236	236

- » Two standard cabinets built with one face frame. Combined rail or stile will be 3" wide.
- » Limited to overall height of 96" high, 48" wide and 30" deep or 96" wide, 48" high and 30" deep.
- » Modification price added to the price of both cabinets. If more than two cabinets are combined, modification prices added to each connection. Any modifications added to one cabinet must be added to each combined cabinet.
- » Must be submitted to Customs for detail drawing.
- » Wall Transom cabinets are recommended instead of stacking wall cabinets where appropriate.

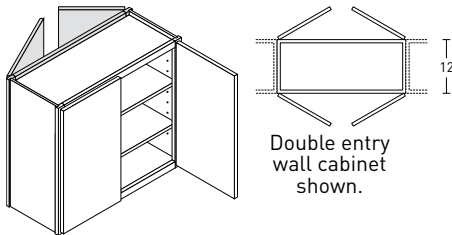
ANGLED SIDE



ITEM	WALL	BASE/VANITY/DESK	TALL
M-ASCR-L -Common	+50%	+50%	+50%
M-ASUR-L -Uncommon	+100%	+100%	+100%

- » Submit a drawing with order. We will create a detail drawing for your approval.
- » Common angles are 45° and 22 ½°. All other angles will be considered uncommon.

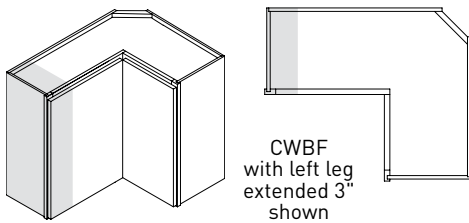
DOUBLE ENTRY



ITEM	WALL	BASE/VANITY/DESK	TALL
M-DE	+75%	+75%	+75%

- » Face frame and doors added to back. False fronts added in place of any drawers. Drawers and roll-out trays only operable from front side.
- » All cabinets will be standard depth when modified to double entry.

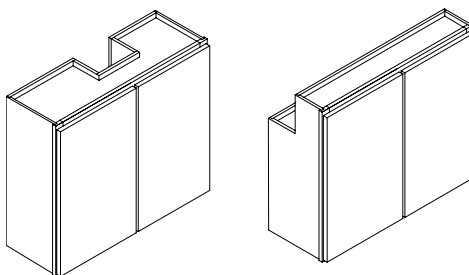
OFFSET CORNER



ITEM	WALL	BASE/VANITY/DESK	TALL
M-OCL-R	236	236	-

- » Increase or decrease CWBF, CER33, or CER36 on one side only. Maximum width of 27" for wall cabinets and 39" for base cabinets.
- » May require a detail drawing for approval.
- » Base, vanity and tall cabinets will come standard with toe notch unless Toe Kick on End or Extend Stile to Floor options are specified.

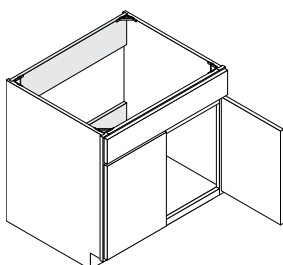
PIPE CHASE



ITEM	WALL	BASE/VANITY/DESK	TALL
M-PC	314	314	487

- » Standard Straight Vertical or Straight Horizontal Pipe Chase.
- » Submit a drawing with all specifications and requirements based on the overall outside dimensions of the cabinet being ordered. We will create a detail drawing for your approval.
- » Available on most standard wall, base, and tall cabinets.

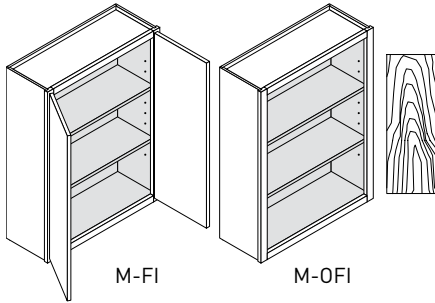
SPLIT BACK SINK BASE



ITEM	WALL	BASE/VANITY/DESK	TALL
M-SBSB	-	119	-

- » On sink cabinets the back will be split into two 8 ½" sections placed at the top and the bottom.
- » Not available on VSD, AHVSD, VS3D, and VS6D cabinets as well as all furniture vanities.

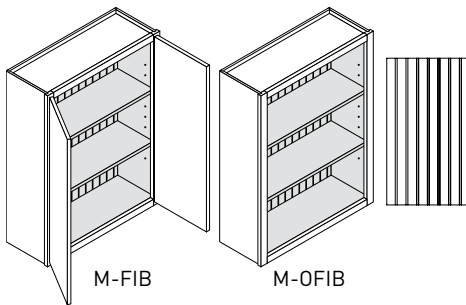
FINISHED INTERIOR



ITEM	WALL	BASE/VANITY/DESK	TALL
M-FI	+50%	+50%	+50%
M-OFI	+25%	+25%	+25%

- » Finished Interior, M-FI, will be matching finished veneer; doors are present.
- » Open Finished Interior, M-OFI, will be matching finished veneer; doors are removed.
- » Entire cabinet interior will come finished.

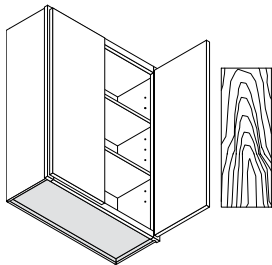
FINISHED INTERIOR WITH BEADED BACK



ITEM	WALL	BASE/VANITY/DESK	TALL
M-FIB	+65%	+65%	+65%
M-OFIB	+40%	+40%	+40%

- » Finished Interior with Beaded Back, M-FIB, will be matching finished veneer; doors are present.
- » Open Finished Interior with Beaded Back, M-OFIB, will be matching finished veneer; doors are removed.
- » 1/4" beaded back panel with beads 1 1/2" on center.
- » Maximum width is 48".
- » Entire cabinet interior will come finished.

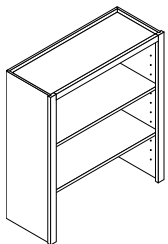
FINISHED BOTTOM



ITEM	WALL	BASE/VANITY/DESK	TALL
M-FBO	+20%	-	-

- » Bottom will be matching finished veneer.
- » Interior of cabinet is unaffected.

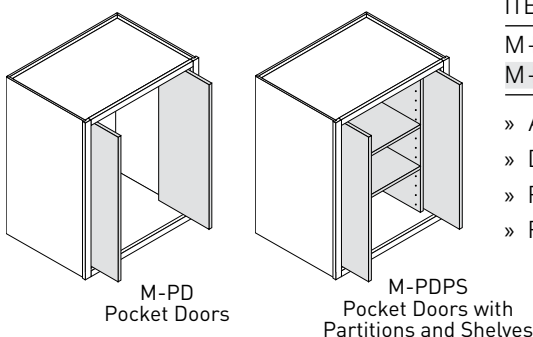
NO FLOOR



ITEM	WALL	BASE/VANITY/DESK	TALL
M-NF	0	-	-

- » Floor of cabinet is removed. Any doors on the cabinet will remain the same size.

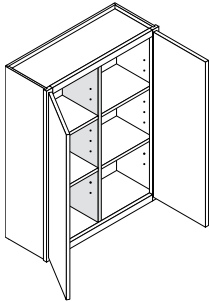
POCKET DOOR



ITEM	WALL	BASE/VANITY/DESK	TALL
M-PD	598	598	598
M-PDPS	867	867	867

- » Available in cabinets a minimum of 18" deep.
- » Doors will receive Profile C and be set up as inset.
- » Reduces interior usable width by approximately 4 1/2" on M-PD option.
- » Reduces interior usable width by approximately 6" on M-PDPS option.

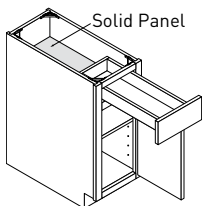
INTERIOR PARTITION



ITEM	WALL	BASE/VANITY/DESK	TALL
M-PAR	60	60	60

- » Fixed ¾" vertical partition added to cabinet.
- » Partitions will be centered as standard or evenly spaced if there is more than one.
- » Specify exact location if non-standard. For example: hold partition 6" from right.

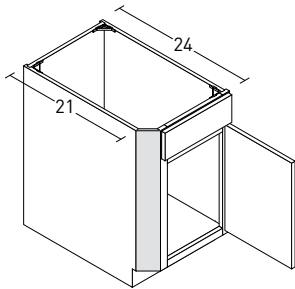
DUST COVER



ITEM	WALL	BASE/VANITY/DESK	TALL
M-DC	-	83	-

- » Fixed horizontal panel below drawer.

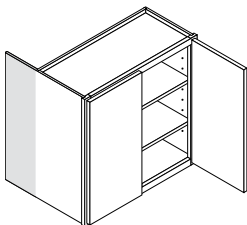
CLIPPED CORNER



ITEM	WALL	BASE/VANITY/DESK	TALL
M-CC L-R	216	216	414

- » All clipped corners are 45° angles.
- » Specify left or right and width of clip. If clip width is not specified, 3" clip will be provided as standard.
- » Clipped Corner can be specified in 1/16" increments up to 6" wide.
- » For example: B18 with M-CC L 3" would yield a 15" face on a 18" box with the clip on the left. The left side of the cabinet would be 21" deep.
- » Note: a 3"x3" clip will be 4 ¼" wide along the face of the clip.

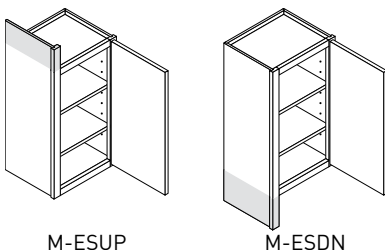
EXTEND SIDE BACK



ITEM	WALL	BASE/VANITY/DESK	TALL
M-ESBL-R	60	60	147

- » Specify left or right and length of extension in 1/16" increments.
- » Maximum extension is 6". For example: W3030 B with M-ESBL 3", overall depth 15".
- » Specify if back edge needs to be banded and finished.
- » Add for finished end.

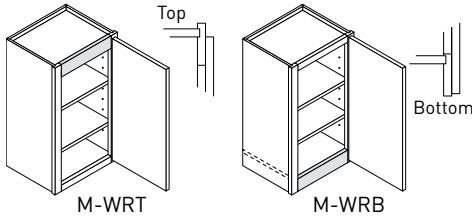
EXTEND SIDE UP/DOWN



ITEM	WALL	BASE/VANITY/DESK	TALL
M-ESUP	96	96	183
M-ESDN	96	-	-

- » Specify left or right and length of extension in 1/16" increments. Stile will be extended with side.
- » Maximum extension is 18", ends cannot exceed 96".
- » Can be used in conjunction with Extended Top or Bottom Rail.
- » Add for finished end.
- » Specify if inside of extension is to be finished to match front.

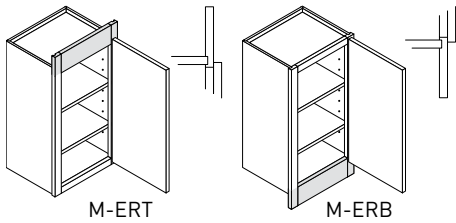
WIDE RAIL



ITEM	WALL	BASE/VANITY/DESK	TALL
M-WRT	113	113	113
M-WRB	113	-	-

- » Rail may be increased in 1/16" increments up to 9".
- » Cabinet height stays the same.
- » Door reveals remain the same. Specify if the door reveal is to be changed.

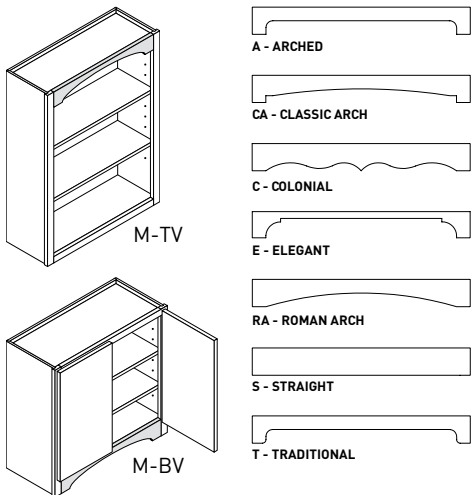
EXTENDED RAIL



ITEM	WALL	BASE/VANITY/DESK	TALL
M-ERT	113	113	113
M-ERB	113	-	-

- » Rail may be increased in 1/16" increments up to 6".
- » Cabinet box remains the same, rail extension added to total height. For example: a W1830 with MERB of 3" will have a total height of 33".
- » Side will be extended down only when ordered with finished side. Cabinet back will not be affected.
- » If door size adjustment is required, specify amount of door overlay. Otherwise standard door overlays are used as if the extended rail were not present.

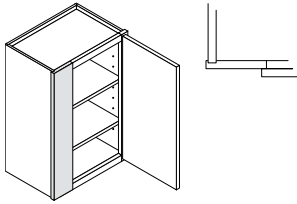
TOP/BOTTOM VALANCE



ITEM	WALL	BASE/VANITY/DESK	TALL
M-TV	228	228	228
M-BV	228	-	-

- » Specify valance type.
- » Standard valance height is 6".
- » Available on cabinet 24" to 48" wide.
- » M-BV reduces interior height and door height by 4 1/2". M-TV does not affect interior height.
- » Modification does not change overall cabinet dimension.
- » Does not affect cabinet interior. Use finished interior modification in addition to M-TV or M-BV.

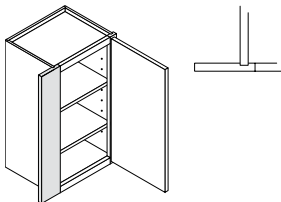
WIDE STILE



ITEM	WALL	BASE/VANITY/DESK	TALL
M-WST R-L	83	83	161

- » Add per each side. Maximum stile width is 9".
- » Width of cabinet stays the same. For example: W2430 R with M-WST L 6" will have a cabinet opening width of 16 1/2".
- » Specify right or left and dimension in 1/16" increments. The specified width will be the actual width of the stile. The reveal will be the stile width less the door overlay. For example: in full overlay a 6" wide stile will net a 4 3/4" reveal, standard 1/2" overlay will have a 5 1/2" reveal.

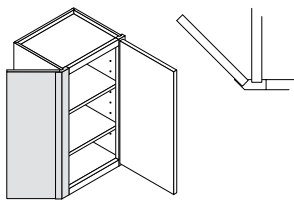
EXTENDED STILE



ITEM	WALL	BASE/VANITY/DESK	TALL
M-EST R-L	62	62	138

- » Add per each side. Maximum extension is 6". Increases overall width of cabinet.
- » Specify right or left and dimension in 1/16" increments. For example: W1530 R with M-EST L 3", overall width of 18".

ANGLED PANEL

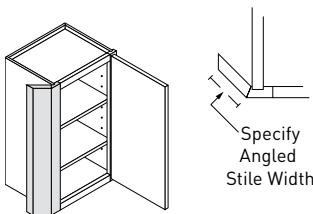


PANEL
WIDTH

ITEM	WALL	BASE/VANITY/DESK	TALL
M-APR-L	241	241	452

- » Cabinet built with angled stile with second dado for angled panel.
- » Specify right or left and panel dimension.
- » Maximum panel width is 24".
- » Angled panel only available at a 45° angle.
- » See Corner Installation Dimensions chart in Product Specifications section.
- » Panel shipped loose to protect against shipping damage.

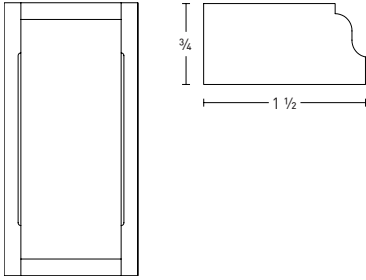
ANGLED STILE



ITEM	WALL	BASE/VANITY/DESK	TALL
M-AST R-L	179	179	309

- » Cabinet built with attached solid wood angled stile. Increases overall width of cabinet.
- » Specify right or left and angled stile width along face. For example: W1830R with M-AST L 4 1/4", for an overall width of 21".
- » Angled stile only available at a 45° angle.
- » Maximum stile width is 8 1/2".
- » See Corner Installation Dimensions chart in Specification section.

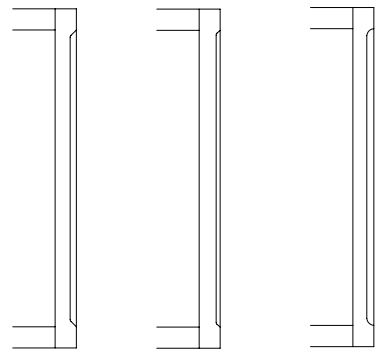
FURNITURE FRAME STILE



ITEM	WALL	BASE/VANITY/DESK	TALL
M-FFS	61	61	61

- » Chamfer will be applied to inside stile edge.
- » Chamfer begins 3" in from each rail in opening.
- » Appropriate for bookcase, any open section, or any cabinet without doors.

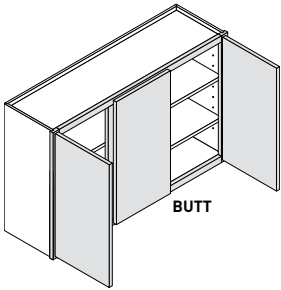
CHAMFER FRAME STILE



ITEM	WALL	BASE/VANITY/DESK	TALL
M-CFS R-L	89	89	139

- » Chamfer will be applied to outside stile edge.
- » Each chamfer starts at the bottom of the top rail and ends at the top of the bottom rail.
- » Specify 5/8" Bevel, 3/8" Bevel, or Cove chamfer on right or left stile.
- » Cabinet with full overlay doors will have reveal modified to 1" (1/2" overlay) on side with Chamfered Frame Stile.

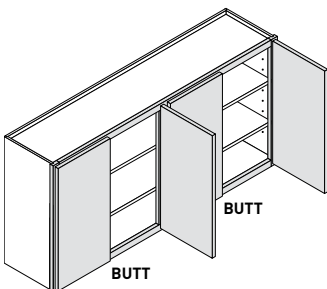
3-DOOR



ITEM	WALL	BASE/VANITY/DESK	TALL
M-3DR-L	+20%	+20%	+20%

- » Minimum width is 42".
- » R-L indicates position of butt door section, other door will be hinged opposite.

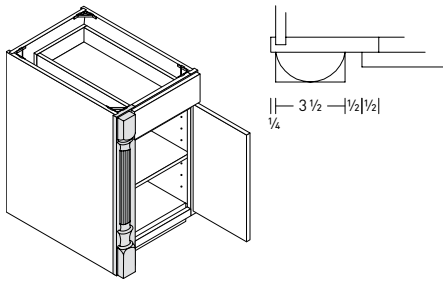
4-DOOR



ITEM	WALL	BASE/VANITY/DESK	TALL
M-4D	+20%	+20%	+20%

- » Minimum width is 48".
- » Will come with two sets of butt doors with 3" stile between.

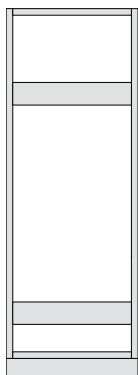
SPLIT LEG ONLY



ITEM	WALL	BASE/VANITY/DESK	TALL
M-SLOR-L	649	699	-

- » Available with rope, traditional, or fluted island legs.
- » On base cabinets stile and split leg will extend to floor. Specify if different.
- » Only available on wall cabinets 30" to 36" high.
- » Requires minimum cabinet width of 12" wide.
- » Not available on CW, WB, CWBF, WED, WEA, PEN, WEC, SAC and WWN.
- » Stile will be 4 3/4" wide. Reveal on outside edge of split leg is 1/4" and reveal on inside edge of leg is 1/2". Door will always be 1/2" overlay on side with split leg only.

OVEN CUT-OUT

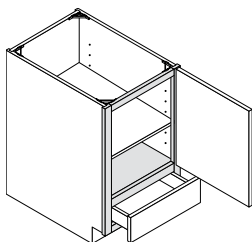


Double oven cabinet with custom cut-out shown

ITEM	WALL	BASE/VANITY/DESK	TALL
M-OCO (Per Opening)	143	143	143

- » Custom oven cut-out added to any tall oven cabinet.
- » Submit an Oven Cabinet Worksheet with your order which is in the General Information section. We will create a detail drawing for your approval.
- » Maximum width of opening is 3" less than the width of the cabinet without Frame on End or Integrated Wainscot Panel.
- » Cut-out price is per cut-out opening.

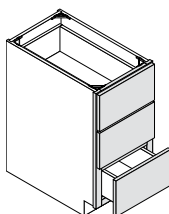
INVERTED FRAME



ITEM	WALL	BASE/VANITY/DESK	TALL
M-IF	-	127	127

- » Standard frame is inverted. Door and drawer front sizes remain the same.
- » If frame layout is to be modified beyond a standard 180° inversion, use Modify Frame modification and submit custom drawing.
- » Floor will be added to inverted frame when appropriate.

MODIFY FRAME

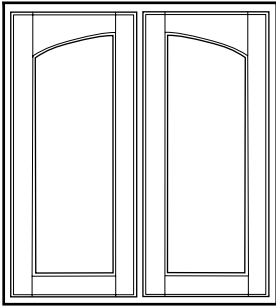


3 equal height drawers shown as an example

ITEM	WALL	BASE/VANITY/DESK	TALL
M-MF	+20%	+20%	+20%

- » The Modify Frame modification is for any non-standard frame layouts not covered by another modification. For example: Three equal sized drawers on a B3D cabinet.
- » Submit a drawing with order. We will create a detail drawing for your approval.
- » Drawer boxes will be built around standard drawer box heights of 4 1/2", 8" and 10 1/2".
- » Custom height drawer boxes are available for an additional cost. Add \$25 list per drawer for custom heights up to 10 1/2". Maximum drawer box height is 1" less than the opening height or 10 1/2", whichever is less. Minimum drawer box width is 5 5/8" for a 6" wide opening.

CRESCENT DOORS



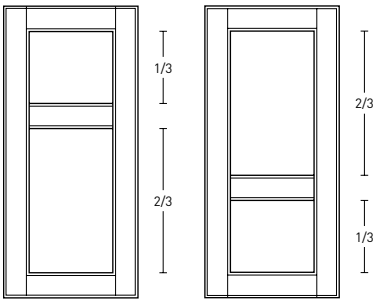
Crescent Left Crescent Right

ITEM

ITEM	Price Per Door	
M-CRED R-L	Price Per Door	117
M-CRED B	Price Per Pair of Doors	234

- » See door style page for availability.
- » Can be combined with Prepared for -Glass doors, victorian doors and standard mullion style doors.
- » When ordering please specify as follows: W3030 Crescent or W1830 L Crescent Left.
- » Hinge and low side of crescent will be on the same side.
- » Crescent doors are not available on doors less than 13" wide and 15 ½" tall.

VICTORIAN DOORS



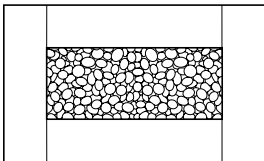
M-VICT Victorian Top
M-VICB Victorian Bottom

ITEM

ITEM	Price Per Door	
M-VICT	Price Per Door	96
M-VICB	Price Per Door	96

- » See door style page for availability.
- » Victorian Top: Horizontal rail is placed one third down from the top rail of the door.
- » Victorian Bottom: Horizontal rail is placed one third up from the bottom rail of the door.
- » Victorian Door option may be combined with Prepared for -Glass option. Both sections are open.
- » Prepared for -Glass option and the Mullion Door options are available on either the top or bottom section of the door only. For example: W2430 Victorian bottom, mullion top section.
- » Not available on doors less than 20 ½" tall.

STAPLE DRAWERS

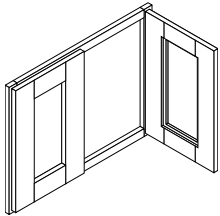


ITEM

ITEM	Price Per Drawer	
M-STD	Price Per Drawer	236

- » Drawer front is built with the center routed out.
- » Available on 15" and 18" wide drawers with 10" high fronts minimum.
- » A pocket behind the front holds a 1/8" clear plexi-glass, 5-sided container. This insert is not dishwasher safe and must be cleaned with a soft non-abrasive cloth.
- » Not available in Chatham, Metro, Nova, Seville, Stelvio, Timpanogos, or Willow.

PREPARED-FOR-GLASS DOORS

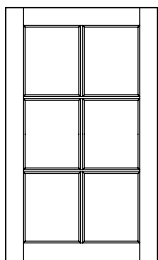


ITEM

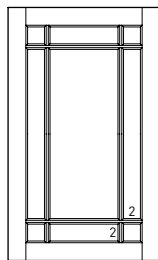
M-PPG	Price Per Door	0
-------	----------------	---

- » Seville, Stelvio, Timpanogos, Willow, Richmond, and Shaker Cottage come as Shaker Prepared for glass doors.
- » Estate comes as the Meadowbrook Prepared for Glass doors.
- » The door is routed and prepared for glass to be inserted as the center panel. The route for PPG doors is $\frac{3}{8}$ " deep x $\frac{1}{2}$ " wide.
- » Doors over 42" high will have a horizontal rail centered in door. PPG doors over 42" may be specified with no horizontal rail with the understanding that the warranty will be voided on that door.
- » Doors are not drilled for glass clips.

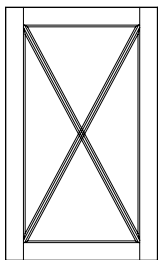
MULLION DOORS



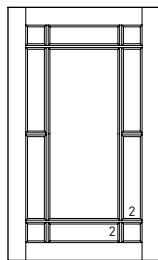
Standard
Mullion



9-Lite
Mullion



X-Lite
Mullion



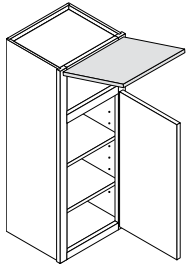
11-Lite
Mullion

ITEM

M-MD -Standard Mullion Doors	Price Per Door	236
M-9MD -Nine-Lite Mullion Doors	Price Per Door	266
M-11MD -Eleven-Lite Mullion Doors	Price Per Door	266
M-XMD -X-Lite Mullion Doors	Price Per Door	1472

- » Seville, Stelvio, Timpanogos, Willow, Richmond, Estate, and Shaker Cottage come as Shaker mullion doors.
- » Estate comes as the Meadowbrook mullion doors.
- » The Standard Mullion option is not available on doors less than 13" wide and 15 1/2" tall.
- » Nine-Lite Mullion doors and Eleven-Lite Mullion doors not available on doors less than 14 1/2" wide and 15 1/2" tall.
- » X-Lite Mullion doors are not available on doors less than 9" wide and 9" tall.
- » All X-Lite Mullion doors require custom drawings and approval by customer.
- » Doors are not drilled for glass clips.
- » Karman follows industry standard lite configuration. Specify exact lite configuration if you want to deviate from standards.

LIFT-UP DOOR SYSTEMS



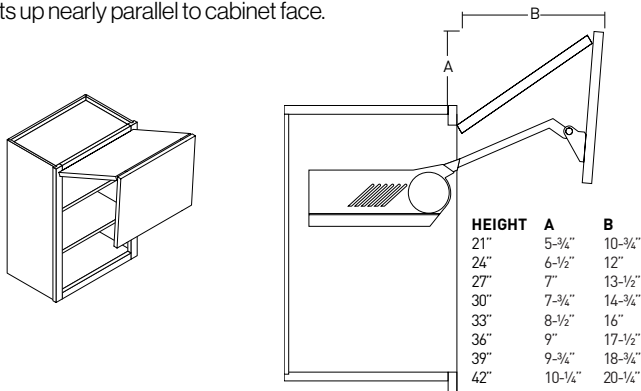
A-LU-HK added to top section of TW1842 R shown

ITEM	OPENING HEIGHT	
A-LU-HF	18" -39"	1332
A-LU-HK	6" -21"	664
A-LU-HL	12" -18"	664
A-LU-HS	9" -27"	664
Servodrive Upgrade		+1989

- » Please see Wall Top Hinge cabinets for pre-configured wall cabinets with Lift-Up Systems installed. HF system is only available as a modification.
- » Use this modification for adding Lift-Up System to a cabinet opening or a cabinet not covered by the Wall Top Hinge cabinets.
- » Lift-Up System may be added to any opening with the appropriate height listed above.
- » Available on cabinets 15" to 36" wide.
- » Features door adjustment in three dimensions. Tension adjustment feature is used to fine-tune the opening and closing power.
- » All full overlay doors with 2 1/4" stiles that are prepared for glass (PPG) are only available if the stiles are modified to 3 1/2" wide.
- » When the HF system is used with prepared for glass (PPG) doors, the hinge will be visible where the two doors meet.
- » Cabinets with the HF system will be modified to have two equal height doors.
- » Cabinet must be a minimum of 12" deep. Cabinets over 24" wide will receive a 2-panel wide door with vertical grain.
- » Not available with any Mullion door option.

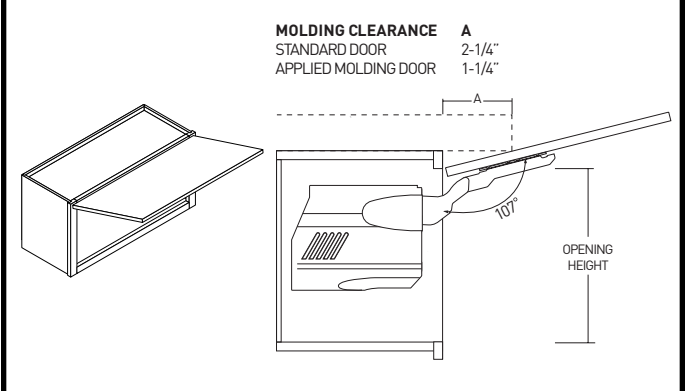
A-LU-HF

Top door swings upward, bottom door lifts up nearly parallel to cabinet face.



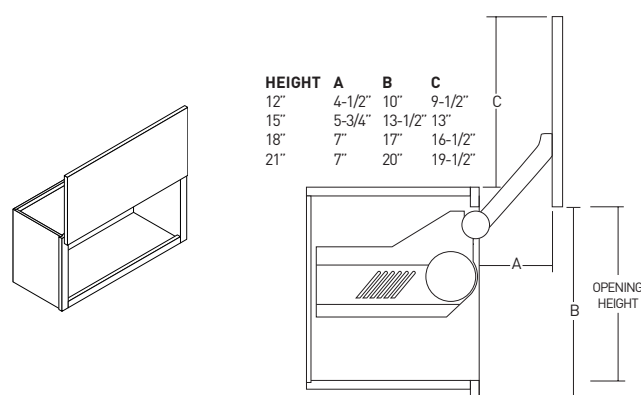
A-LU-HK

Door swings upward.



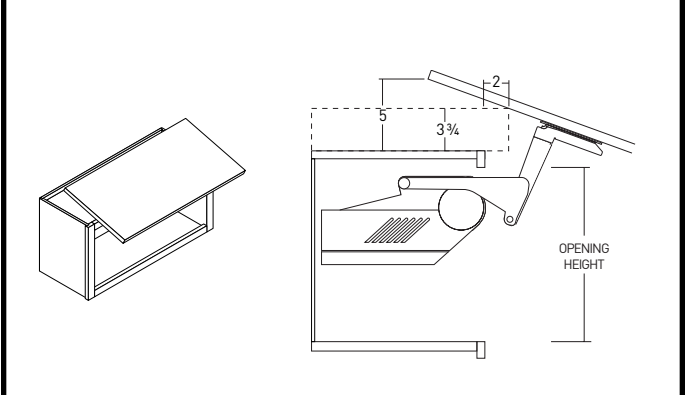
A-LU-HL

Door lifts up parallel to cabinet face.

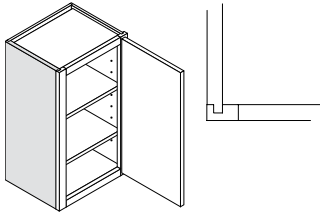


A-LU-HS

Door swings over the top of the cabinet.



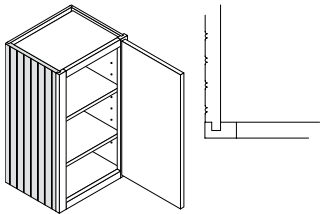
FINISHED END



ITEM	WALL	BASE/VANITY/DESK	TALL
M-FER-L	114	114	219

- » End will be 3/4" thick with exterior wood veneer finished to match front.
- » End will be nearly flush with frame.

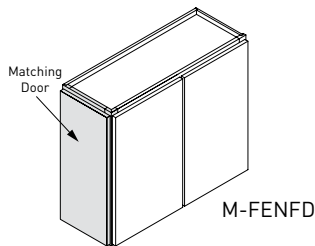
BEADED FINISHED END



ITEM	WALL	BASE/VANITY/DESK	TALL
M-BFER-L	114	114	219

- » End will be 3/4" thick with exterior wood veneer finished to match front.
- » End will be nearly flush with frame.
- » Beads are 1 1/2" on center.

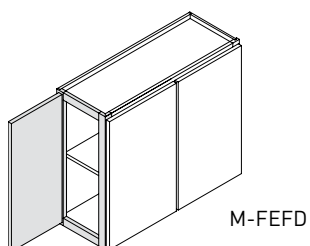
FRAME ON END - NON-FUNCTIONAL DOOR



ITEM	WALL	BASE/VANITY/DESK	TALL
M-FENFDR-L	616	717	1427

- » Door on end will be non-functional and attached to frame.
- » Specify right or left side.
- » Inside of Frame on End is covered with interior cabinet panel that matches cabinet interior.
- » Base, vanity and tall cabinets will come standard with toe notch unless Toe Kick on End or Extend Stile to Floor options are specified.
- » Doors on tall cabinets will match front door heights.

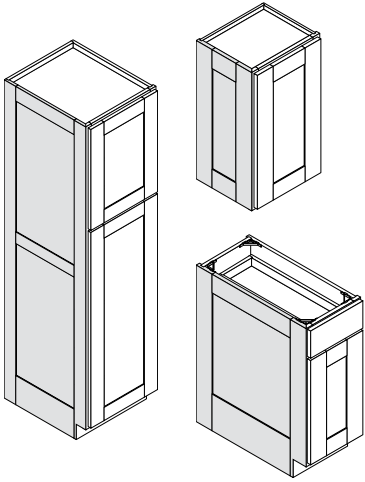
FRAME ON END - FUNCTIONAL DOOR



ITEM	WALL	BASE/VANITY/DESK	TALL
M-FEFD-R-L	616	717	1427

- » Door on end will be functional and hinged to back stile as standard.
- » Specify right or left side.
- » Base, vanity and tall cabinets will come standard with toe notch unless Toe Kick on End or Extend Stile to Floor options are specified.
- » Doors on tall cabinets will match front door heights due to fixed floor in cabinet.

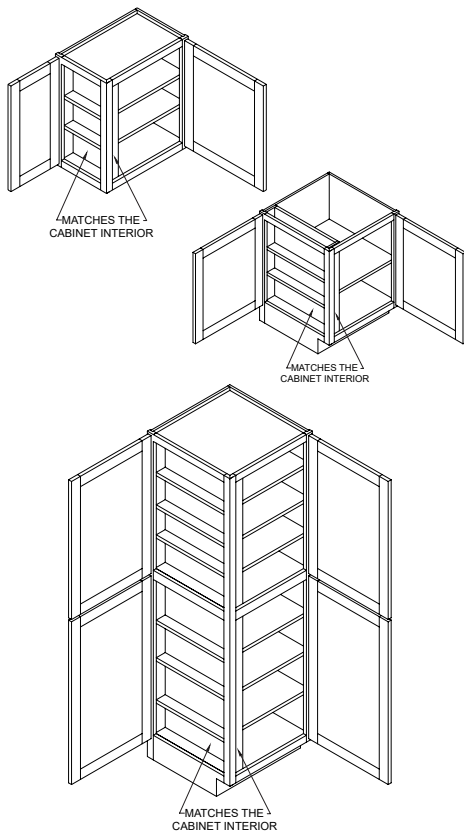
INTEGRATED WAINSCOT PANEL END



ITEM	WALL	BASE/VANITY/DESK	TALL
M-IWPR-L	752	927	2014

- » Not available in mitered or inset door styles. Use Frame on End modification for inset door styles.
- » Integrated Wainscot Panel is built as the side of the cabinet and lock-mitered to the cabinet face frame. Overall width is not changed.
- » Tall Integrated Wainscot Panels will be built as a tall door with two equal height panels. Front door heights may be matched by request.
- » Panel edges are 90°.
- » Inside of end panel is covered with interior cabinet panel that matches cabinet interior.
- » Notched toe kick comes standard. Can be ordered with M-ESF (L-R stile to floor) or M-TKOS (toe kick on side).
- » Not available on the following cabinets: WED, WEC, WR, WRD, WRX, WWN, LS36, LSD36, CB3036-39, BWR, BWRX.
- » Integrated wainscot rail sizes noted below account for a close resemblance to the front cabinet door framing and reveals:
 - Wall/Tall top rail: 3¼", 4", or 4½" depending on cabinet door frame width.
 - Base/Vanity/Desk top rail: 2¼", 3", or 3½" depending on cabinet door frame width.
 - Wall bottom rail: 2¼", 3", or 3½" depending on cabinet door frame width.
 - Base/Vanity/Desk/Tall bottom rail: 7", 7¾", or 8¼" depending on cabinet door frame width.

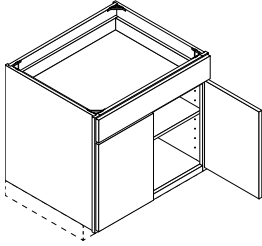
ORGANIZATIONAL END



ITEM	WALL	BASE/VANITY/DESK	TALL
M-OE	866	967	1677

- » Door on end will be functional and hinged to back stile as standard.
- » Specify right or left side.
- » Base, vanity and tall will come standard with toe notch unless toe kick on end or extend stile to floor options are specified.
- » Doors on tall cabinet will match front door heights due to fixed floor in cabinet.
- » Organizational end will be standard cabinet interior material.
- » Entire cabinet would need finished interior added.
- » Drawer boxes will be reduced by 3 ½" in width when adding organizational end.

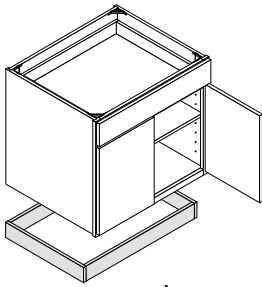
NO TOE KICK



ITEM	WALL	BASE/VANITY/DESK	TALL
M-NTK	-	0	0

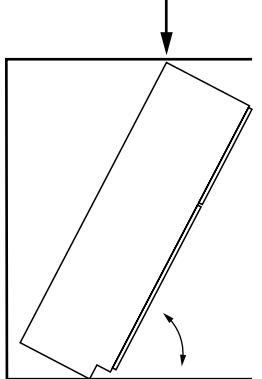
- » Cabinet box height is reduced by 4 1/2".
- » Intended for use with bunn feet or customer-supplied toe base.
- » When reducing or increasing the height of a cabinet, specify finished height with 4 1/2" toe removed. For example: B30B reduced to 22 1/2", M-NTK, final height of 18".

LOOSE TOE KICK



ITEM	WALL	BASE/VANITY/DESK	TALL
M-LTK	-	127	127

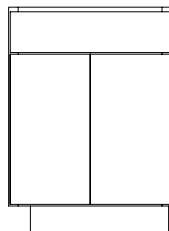
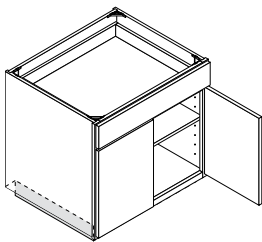
- » Toe box is shipped loose.
- » Toe box is not finished by default, even when finished ends are ordered. Specify if ends of toe box are to be finished.
- » Toe box will be built the full width of the cabinet. Specify if toe box is to be built with toe kick on side.
- » Loose Toe modification should be considered for standing up tall cabinets; see chart. Also, base corner cabinets and other oversized base cabinets that need to be moved through tight doorways should receive the Loose Toe modification.



Ceiling height needed to stand up a Tall Cabinet

CABINET HEIGHT	CABINET DEPTH			
	12"	18"	21"	24"
84"	84-7/8	86	86-5/8	87-3/8
87"	87-7/8	89	89-1/2	90-1/4
90"	90-7/8	91-7/8	92-1/2	93-1/4
93"	93-7/8	94-3/4	95-3/8	96-1/8
96"	96-7/8	97-3/4	98-3/8	99

TOE KICK ON SIDE

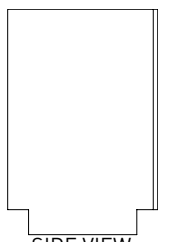
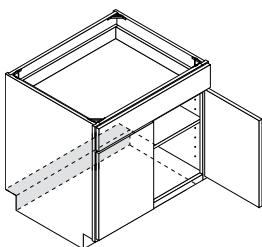


FACE VIEW

ITEM	WALL	BASE/VANITY/DESK	TALL
M-TKOSR-L	-	127	127

- » Specify left or right.
- » Will be standard height and depth.

TOE KICK ON BACK

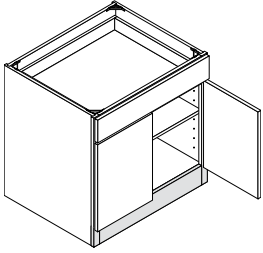


SIDE VIEW

ITEM	WALL	BASE/VANITY/DESK	TALL
M-TKOB	-	127	127

- » Will be standard height and depth. Does not affect back material.

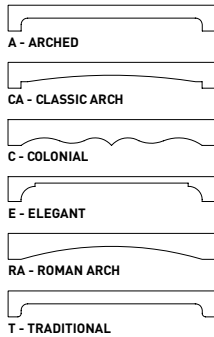
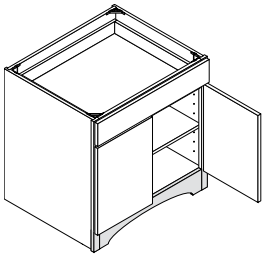
FLUSH TOE KICK



ITEM	WALL	BASE/VANITY/DESK	TALL
M-FTK	-	127	127

- » Stiles and rail extended to bottom of cabinet, no toe kick recess.

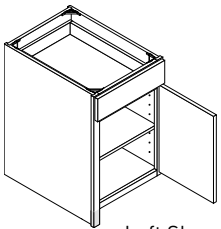
FLUSH TOE KICK WITH VALANCE



ITEM	WALL	BASE/VANITY/DESK	TALL
M-FTKV	-	236	236

- » Edges of valance will be square.
- » Available on cabinets 24" to 48" wide.
- » Toe kick area is set back standard distance. Requires field-applied toe base skin.

EXTEND STILE TO FLOOR

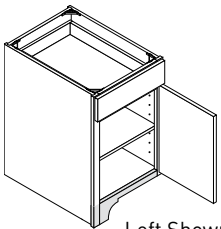


Left Shown

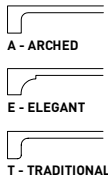
ITEM	WALL	BASE/VANITY/DESK	TALL
M-ESFR-L	-	62	62

- » Extend left or right stile to floor. Frame stile will run to floor and cabinet side will not have toe notch.
- » Useful when integrated Wainscot End or Frame on End is ordered. Also useful for concealing end of toe base skin.

VALANCE TOE KICK EFFECT

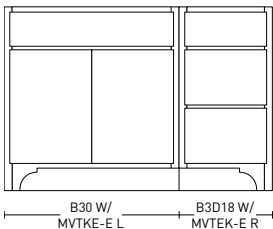


Left Shown

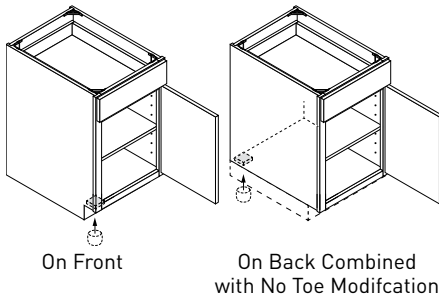


ITEM	WALL	BASE/VANITY/DESK	TALL
M-VTKE-A;E;T-R-L	-	171	171

- » Specify valance type and right or left. For example: M-VTKE-E-L for elegant look on left.
- » Extend left or right stile to floor with valance cutout on that same side. Frame stile will run to floor and cabinet side will not have toe notch.
- » Toe kick area is set back standard distance. Requires field applied toe base skin.
- » Allows for a run of cabinets to have the appearance of a flush toe kick with valance when applied to the outside ends of run.



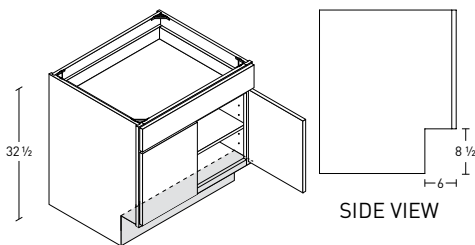
PREP FOR BUNN FOOT



ITEM	WALL	BASE/VANITY/DESK	TALL
M-PFBF	-	33	33

- » Charge is per bunn foot location. Specify location when ordering
- » Bunn foot not included and must be ordered separately.
- » Filler piece is added to bottom corner underneath cabinet to flush bottom for field application of bunn foot.
- » Use in conjunction with No Toe modification if adding bunn feet on back.

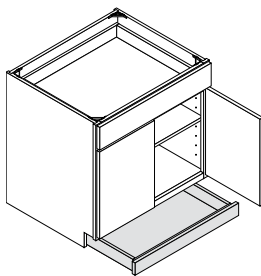
UNIVERSAL ACCESS TOE KICK



ITEM	WALL	BASE/VANITY/DESK	TALL
M-UATK	-	0	0

- » Toe space will be modified to 8 1/2" high and 6" deep.
- » Cabinet height changed to 32 1/2" high as standard.

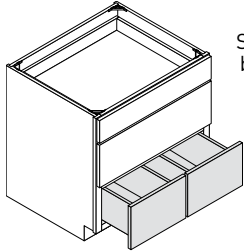
TOE KICK WITH DRAWER



ITEM	WALL	BASE/VANITY/DESK	TALL
M-TKD	-	334	334

- » Toe space is replaced with a usable drawer.
- » Available on base cabinets up to 36" wide.
- » Touch release hardware allows for easy open and close with your foot.
- » Drawer head is solid 3/4" slab with a Shaker profile.

SPLIT DRAWER

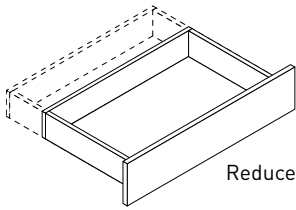


Split Drawer on bottom drawer of a B3D30 shown as an example.

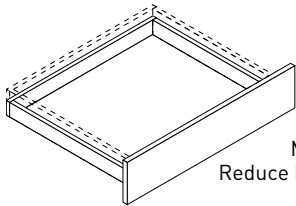
ITEM	WALL	BASE/VANITY/DESK	TALL
M-SD	187	187	187

- » A single drawer is replaced with two drawers.
- » Minimum cabinet width is 18".
- » Will have a 3" stile between drawer; drawer fronts will be modified to have butt appearance.

REDUCE DRAWER BOX



M-RDD
Reduce Drawer Depth

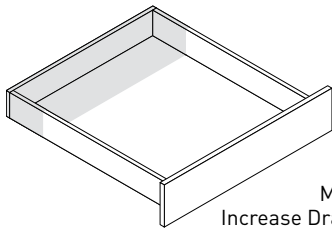


M-RDH
Reduce Drawer Height

ITEM	WALL	BASE/VANITY/DESK	TALL
M-RDD	26	26	26
M-RDH	26	26	26

- » Price per drawer.
- » Drawer may be reduced in depth in 3" increments. Standard drawer box is 21" deep for a 24" deep cabinet.
- » Drawers may be reduced in height from 4 1/2" to 3 1/2" or 2 1/2" high.

INCREASE DRAWER BOX

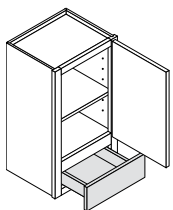


M-IDB
Increase Drawer Box Depth

ITEM	WALL	BASE/VANITY/DESK	TALL
M-IDB	151	151	151

- » When cabinet is increased to 27" or 30" deep this option is used to increase the drawer box depth also. Requires special drawer tracks.
- » Price per drawer. May also be applied to roll-out trays.
- » Use Increase Drawer Box in conjunction with Increased Cabinet Depth modification. Drawer boxes and roll-outs are not increased automatically when Increased Cabinet Depth modification is applied.
- » Drawers will remain standard depth on deeper cabinets if this modification is not applied.

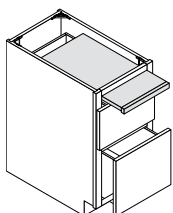
ADD DRAWER



ITEM	WALL	BASE/VANITY/DESK	TALL
M-AD	265	265	265

- » Add an additional drawer to a standard cabinet.
- » Submit a drawing with order. We will create a detail drawing for your approval.
- » Standard drawer heights will be used.

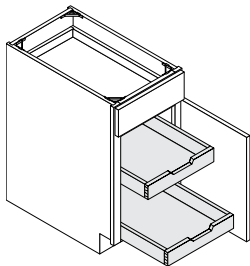
ADD BREAD BOARD



ITEM	WALL	BASE/VANITY/DESK	TALL
M-ABB	-	201	-

- » Bread boards are constructed of solid maple. End cap matches the cabinet wood Species.
- » Standard height 5-piece drawer fronts will be changed to a slab front.
- » Available on cabinets 15" to 24" wide.
- » Can only be added above a drawer.

ROLL-OUT TRAYS



[2] A-RT12-24
Shown

ITEM

Standard Height - 4½" High

A-RT12-24	159
A-RT27-36	201
A-RT39-48	212

Deep - 8" High

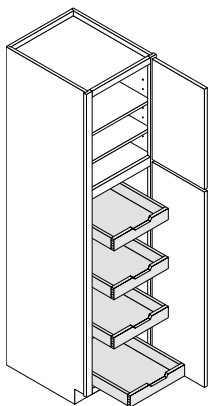
A-DRT12-24	185
A-DRT27-36	227
A-DRT39-48	238

Shallow - 2½" High

A-SRT12-24	142
A-SRT27-36	184
A-SRT39-48	195

- » Roll-out trays are same construction as drawer box. Priced per roll-out.
- » Adjustable roll-out trays are available in cabinets 12" - 48" wide. No shelf will be installed in any base cabinet ordered with two or more roll-out trays.
- » When ordering one roll-out in a base cabinet, it will be floor mounted with adjustable shelf above when appropriate.
- » 2½" high trays can not receive Designer profile and will come as square if job is upgraded to Designer Drawers.
- » Use appropriate item for cabinet being ordered:
 - RT12-24 for 12", 15", 18", 21", and 24" wide.
 - RT27-36 for 27", 30", 33", and 36" wide.
 - RT39-48 for 39", 42", 45", and 48" wide.
- » All standard height -4½" H and Deep 8" H. Rollout trays will have standard finger scoop.
- » Finger scoop will be -5" W x 1" D on all rollouts, regardless of rollout width.
- » Shallow 2½" high rollouts will not have finger scoop.

PANTRY ROLL-OUT KIT



ITEM

4 Trays - 4½" High

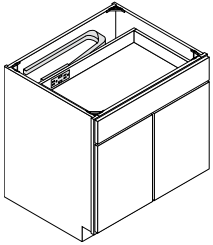
A-P4RK12-24	494
A-P4RK27-36	662

5 Trays - 4½" High

A-P5RK12-24	653
A-P5RK27-36	863

- » Roll-out trays are same construction as drawer box.
- » Shelves in bottom opening removed and replaced with roll-outs.
- » All standard height 4½" H rollout trays will have standard finger scoop.
- » Finger scoop will be -5" W x 1" deep on all rollouts, regardless of rollout width.

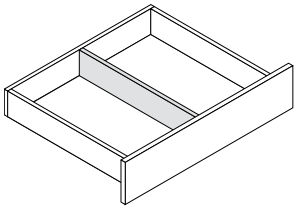
DOCKING DRAWER



ITEM	FITS CABINET WIDTH	
M-DD	21" -48"	1446

- » Electric receptacle with two 120V outlets and two USB ports is added to back of drawer.
- » Drawer depth is reduced by 3" more than standard drawer, drawer depth will be 6" less than depth of cabinet.
- » Drawers must be full width.
- » Available on 24", 21", and 18" deep cabinets only.
- » Pre-wired to plug into standard 120V electrical outlet (not provided).

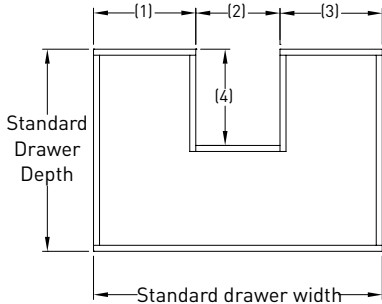
DRAWER DIVIDER



ITEM	WALL	BASE/VANITY/DESK	TALL
A-DD	-	26	26

- » Divider is fixed and constructed of same material as drawer box.
- » Add per divider.
- » Divider(s) centered and spaced equally as standard.
- » Specify exact location if non-standard. For example: hold divider 3" from right or three dividers 4" on center from right.

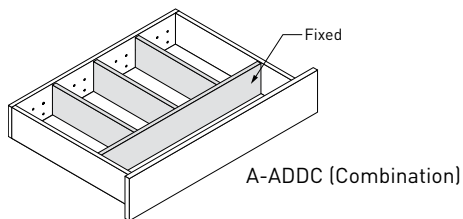
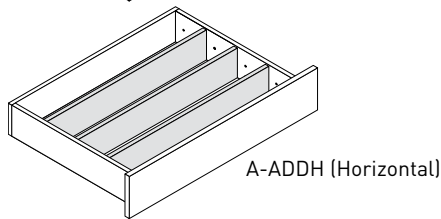
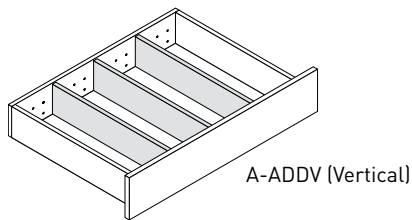
DRAWER PIPE CHASE



ITEM	WALL	BASE/VANITY/DESK	TALL
M-DPC	\$138	\$138	\$138

- » Dealer to provide specifications at time of ordering.
- » Karman will provide engineering detail for sign-off.
- » Cabinet is built with standard cabinet back, only drawer box receives pipe chase cutout.
- » If more than one drawer are present in the cabinet, please specify which drawers receive the pipe chase modification.
- » Pricing is per drawer receiving the pipe chase cutout.
- » Please specify dimensions (1), (2), (3), (4).

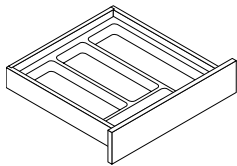
ADJUSTABLE DRAWER DIVIDERS



ITEM	FITS CABINET WIDTH	DESCRIPTION	
A-ADDV12-24	12" -24"	Vertical Dividers	189
A-ADDV27-36	27" -36"	Vertical Dividers	216
A-ADDV39-48	39" -48"	Vertical Dividers	243
A-ADDH12-24	12" -24"	Horizontal Dividers	189
A-ADDH27-36	27" -36"	Horizontal Dividers	216
A-ADDC12-24	12" -24"	Combination	189
A-ADDC27-36	27" -36"	Combination	216
A-ADDC39-48	39" -48"	Combination	243
A-ADDE		Extra Divider	29

- » Drawer receives line boring on both sides of divider direction. Dividers are routed on ends to slide on to adjustable pins.
- » Line boring starts from center with 32mm spacing.
- » Adjustable drawer dividers may be added to standard 4 ½" or 8 ½" high drawer boxes.
- » Combination system receives a fixed divider 4" from front of drawer.
- » Horizontal system receives three adjustable dividers.
- » Vertical and combination systems receive the following number of adjustable dividers: 12", 15" -1 divider; 18" -2 dividers; 21", 24" -3 dividers; 27", 30" -4 dividers; 33", 36" -5 dividers; 39", 42" -6 dividers; 45", 48" -7 dividers.
- » When ordering an extra divider, the cabinet size and system style must be specified. Extra pins are included.

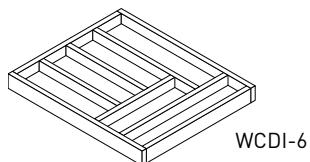
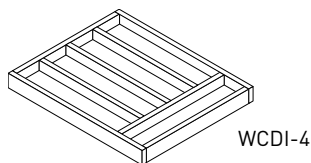
CUTLERY DRAWER TRAY



ITEM	FITS CABINET WIDTH	
A-CDT	15" -24"	183

- » Molded plastic inserts are available in all base and base drawer cabinet widths 15", 18", 21" and 24" only. CHDT1 will not fit into the top drawer of a cabinet with a bread board.

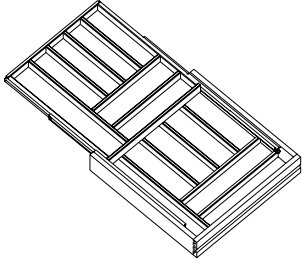
WOOD CUTLERY DRAWER INSERTS



ITEM	FITS CABINET WIDTH	
A-WCDI-4	15" -24"	183
A-WCDI-6	15" -24"	183

- » Wood cutlery inserts are available in all base and base drawer cabinet widths 15", 18", 21" and 24" only. WCDI will not fit into the top drawer of a cabinet with a bread board.
- » Not available sent loose.

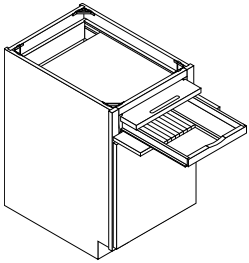
WOOD DOUBLE TIERED CUTLERY DRAWER



ITEM	FITS CABINET WIDTH	
A-WDTCD	15" -24"	745

- » Wood cutlery drawers are available in all base and base drawer cabinet widths 15", 18", 21" and 24" only. The double tiered cutlery drawer replaces the top drawer and the drawer head attaches directly to the cutlery drawer.

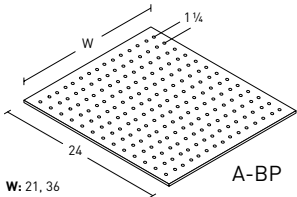
KNIFE DRAWER KIT



ITEM	FITS CABINET WIDTH	
A-KDK	15" -24"	481

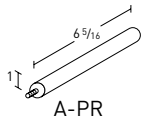
- » Knife drawer kit includes a wood slide-out tray finished natural. The cutting board is unfinished maple.
- » Trays fit 15", 18", 21" and 24" wide cabinets.

PEG ORGANIZER



W: 21, 36

A-BP

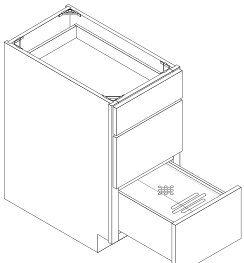


A-PR

ITEM	DESCRIPTION	DIMENSIONS	
A-BP21	Base Plate	3/8" x 21" x 24"	193
A-BP36	Base Plate	3/8" x 36" x 24"	317
A-PR	Post Round (4-piece set)	6 5/16" x 1"	102

- » Posts mount into pre-drilled holes and are secured with fastening nut. (Includes mounting hardware and locking nut).
- » Base plate can be cut to size in the field.
- » Listed sizes are approximate.
- » Sent loose. Installation required.

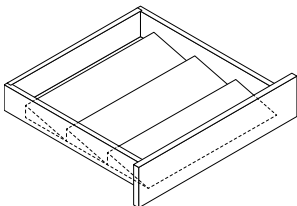
BREAD DRAWER COVER KIT



ITEM	FITS CABINET WIDTH	
A-BDC	15" -24"	271

- » Clear plastic bread drawer covers are for use with B3D15, B3D18, B3D21 and B3D24 cabinets.
- » Please specify middle or bottom drawer.

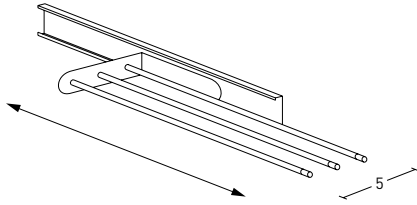
SPICE DRAWER INSERT



ITEM	FITS CABINET WIDTH	
A-SDI	15" -24"	201

- » Wood insert available in base and base drawer cabinet widths 15", 18", 21" and 24" only.

PULL-OUT TOWEL RACK



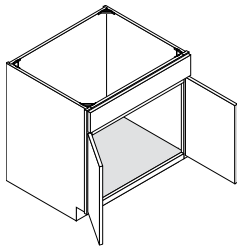
ITEM

A-PTRR-L

249

- » Specify mounting on right or left side of cabinet.

SINK SPILL MAT



Detail

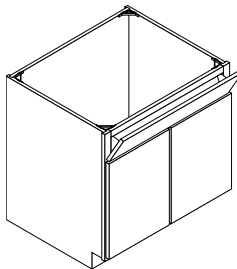
ITEM

A-SSM

212

- » Spill mat is gray with stainless finish.
- » Will be cut to size and installed in sink cabinet.
- » Available on any sink base up to 45" wide.
- » Dimples can collect up to 1 gallon of water per 6 square feet, ie. a SB36 can hold one gallon.
- » Not available on cabinets over 24" deep.

TIP-OUT TRAY



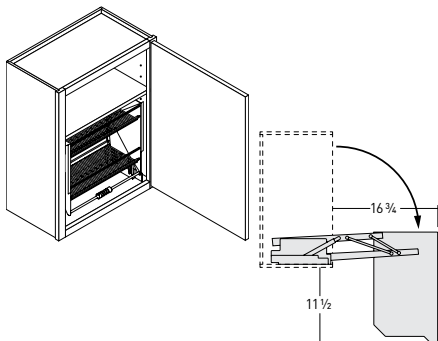
ITEM

A-TOT

212

- » Tip-out trays may be installed in any base sink and vanity sink cabinets 18" or wider.
- » Trays are stainless steel with a concealed soft-close hinge.

PULL-DOWN RACK



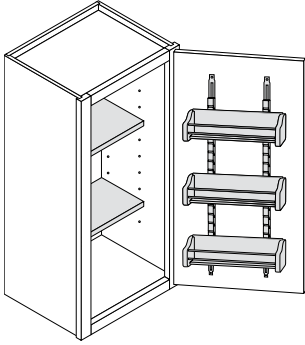
ITEM

DESCRIPTION

A-PDR24	2 tier pull-down shelf, fits 24" wide wall cabinets	933
A-PDR36	2 tier pull-down shelf, fits 36" wide wall cabinets	982
A-PDRA24	5 removable acrylic trays, fits 24" wide wall cabinets	1750

- » Available in cabinets 24" or 36" wide, 24" ~ 42" high. Cabinets 30" high and above receive a shelf above the Pull-Down Rack.
- » Pull-Down Rack uses gas assisted lifting/lowering system to increase accessibility.
- » A-PDRA24 includes acrylic bins, dividers, labels, and drawer liners. This unit is ideal for medical supply storage, as well as spices, beverage supplies, and other uses.

WOOD SPICE RACK

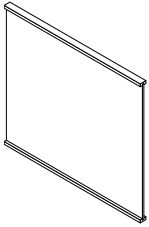


ITEM

A-SR15	285
A-SR18	285
A-SR21	285

- » Wood spice rack comes installed and shelves are cut back to accommodate rack.
- » Not available in corner wall cabinets.
- » Available in wall cabinets 30" to 42" high, standard height base cabinets, and the top section of tall utility cabinets.
- » Spice rack may be installed on one door of a corresponding butt door cabinet. Specify right or left door. Add for each rack if applying to both doors. Entire shelf will be cut back.
 - A-SR15: 30" or 33" wide.
 - A-SR18: 36" or 39" wide.
 - A-SR21: 42" or 45" wide.

TRAY DIVIDER

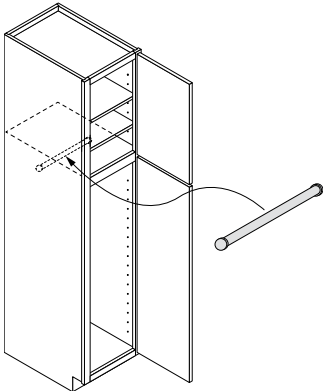


ITEM

A-TD	67
------	----

- » ½" dividers are available installed in base or wall cabinets and are laminated to match the interior.
- » Tray dividers will be centered or evenly spaced as standard.
- » Specify exact location if non-standard. For example: hold divider 3" from right or three dividers 4" on center from right.

WARDROBE ROD

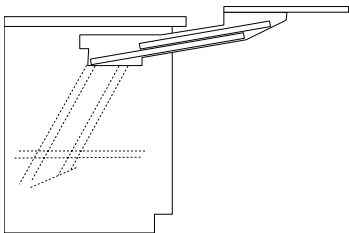


ITEM

A-WR	221
------	-----

- » Heavy-duty, steel, chrome-plated wardrobe rod is added to opening.
- » Rod will be 1 7/16" with end supports.
- » By default, rod will be installed 3" from top of opening cavity, centered front to back.
- » Shelves will be omitted in section that has rod.

LIFT OUT SHELF



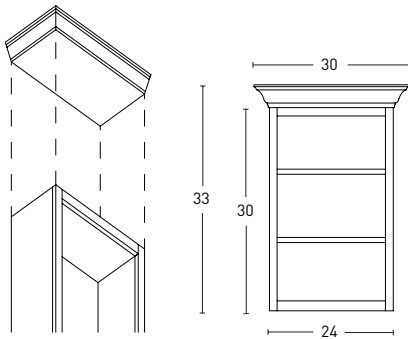
ITEM

FITS CABINET WIDTH

A-LOS	18" -24"	415
-------	----------	-----

- » Available installed in base full height door cabinets only.
- » 60 lb load-bearing capacity.
- » ¾" plastic shelf -16 ½" deep.
- » FDA approved food-safe acrylic.
- » Clearance height of 17 1/8" when lowered into the cabinet.
- » Lift locks in both the open and closed positions.
- » You can only put a 2 ¾" rollout at bottom.

CROWN ASSEMBLY

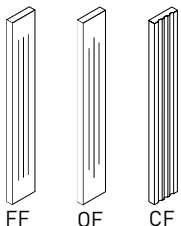


ITEM	FITS CABINET	ASSEMBLED WIDTH	
12" DEEP CABINETS			
CRA1812	18	24	452
CRA2112	21	27	457
CRA2412	24	30	462
CRA2712	27	33	467
CRA3012	30	36	472
CRA3312	33	39	478
CRA3612	36	42	483
CRA3912	39	45	488
CRA4212	42	48	493
CRA4512	45	51	498
CRA4812	48	54	503
24" DEEP CABINETS			
CRA1824	18	24	483
CRA2124	21	27	494
CRA2424	24	30	506
CRA2724	27	33	517
CRA3024	30	36	528
CRA3324	33	39	540
CRA3624	36	42	551
CRA3924	39	45	563
CRA4224	42	48	574
CRA4524	45	51	584
CRA4824	48	54	594

» Crown Assembly is designed with 3 $\frac{3}{8}$ " crown (CR325-08) mounted to a plywood platform with crown on face, right and left side to be installed on our standard wall, bookcase and tall cabinets with finished ends.

» The crown assembly will set down onto the cabinet $\frac{1}{4}$ ".

ADD FLUTING

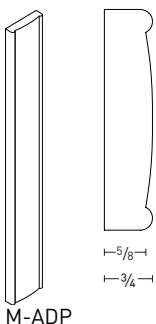


ITEM	WALL	BASE	TALL
M-AF-FF	83	83	133
M-AF-OF	83	83	133
M-AF-CF	83	83	133

» Add fluting to extended sides, wide stiles, clipped corners and fillers.

» Specify fluting style when ordering.

ADD DESIGNER PROFILE

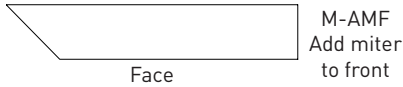
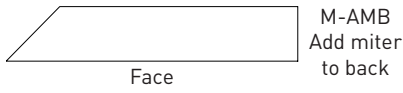


ITEM	
M-ADP	297

» Add designer profile to any 3" filler, column box, refrigerator end panel, dishwasher end panel, or floating shelf.

» Profile will be on both long edges, top and bottom will be square cut.

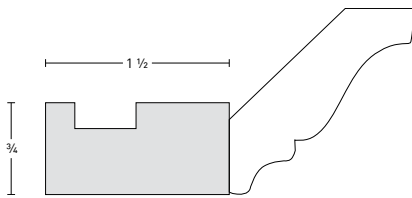
ADD MITER



ITEM	
M-AMB	111
M-AMF	111

- » Add a 45° mitered cut to a wainscot, panel, filler, extended stile, etc.
- » Clearly specify miter location.
- » Overall width of face is maintained on M-AMB.
- » Overall width of face is reduced on M-AMF. For example: a 3" filler with A-AMF will have a 2 1/4" face dimension. Increase widths as needed.

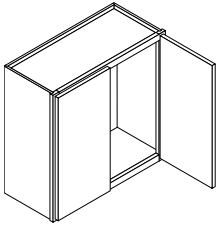
ADD HEEL TO MOLDING



ITEM	
M-AHM	87

- » Installation heel added to any standard crown molding.
- » Heel will be applied to molding prior to finishing.

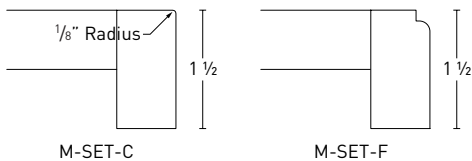
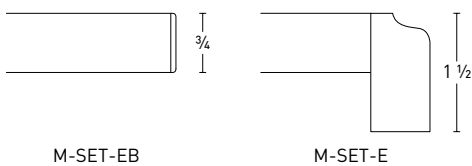
OMIT SHELF HOLES



ITEM	
M-OSH	51

- » Shelves will not be provided, and the cabinet will not have shelf holes.
- » Please order shelves loose if needed.

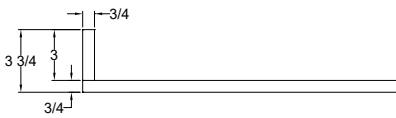
SHELF EDGE TREATMENT



ITEM	
M-SET-EB	79 Per Shelf
M-SET-C	79 Per Shelf
M-SET-E	79 Per Shelf
M-SET-F	79 Per Shelf

- » Add shelf edge treatment to any loose finished shelf or the shelves in a finished interior cabinet.
- » Shelf edge treatment will be added to width of shelf by default.
- » M-SET-EB: 3mm Edge Banding.
- » M-SET-C: 1/8" radius, matches door edge profile C.
- » M-SET-E: Ogee, matches door edge profile E.
- » M-SET-F: 1/8" step with 3/16" radius, matches door edge profile F.

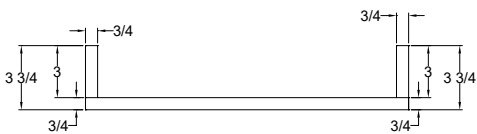
WAINSCOT RETURN



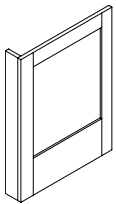
M-RTRN03-L



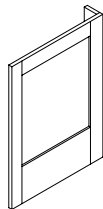
M-RTRN03-R



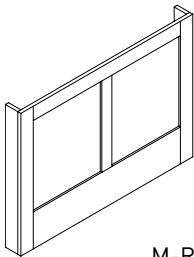
M-RTRN03-B



M-RTRN03-L



M-RTRN03-R



M-RTRN03-B

ITEM	WALL	BASE	TALL
M-RTRN15 R-L	\$192	\$192	\$289
M-RTRN03 R-L	\$206	\$206	\$304

- » Modification for Wainscot panels only
- » Includes Wall, Base, Tall, and RPBB panels
- » Wainscot panel is to be ordered at the needed width.
- » The Return Filler is standard butt joint to the back of the Wainscot panel.
- » M-RTRN15 mod will make Wainscot overall 2 1/4" deep. M-RTRN03 will make Wainscot overall 3 3/4" deep.
- » This modification does not change the overall width of the Wainscot panel, only the depth changes.
- » The face & one long edge of the Return Filler will be finished along with the face & remaining edge of the Wainscot panel.
- » The stiles and rails of the Wainscot panel will remain standard width for the door style selected.

PREFERRED BY KARMAN

MOLDINGS, FILLERS, PANELS & MISC.

SECTION 13

Index by Category and Name

MOLDINGS

Base Molding	13-4
Base Shoe Molding	13-6
Batten Molding	13-6
Beaded Cove Crown Molding	13-3
Beveled Knee Brackets	13-14
Casing Molding	13-2
Contemporary Trim Molding	13-7
Cornice Molding	13-9
Counter Edge Molding	13-6
Cove Crown Molding	13-3
Crown Molding	13-1
Decorative Feet	13-13
Decorative Molding	13-12
Decorative Rosette Block	13-13
Egg and Dart Molding	13-12
Insert Crown Molding	13-2
Inside Corner Molding	13-6
Knee Brackets	13-14
Light Rail Molding	13-8
Mirror Frame Molding	13-5
Outside Corner Molding	13-5
Parting Bead Molding	13-7
Pilaster Molding	13-9
Profiled Decorative Molding	13-11
Scribe Molding	13-7
Profiled Light Rail Molding	13-8
Shaker Crown Molding	13-2
Shiplap	13-11
Solid Stock	13-10
Solid Stock – Beaded	13-10
Split Spindles, Spools, & Blocks	13-13
Sub Molding	13-8
Toe Base Skin	13-10
Traditional Knee Brackets	13-14
Victorian Knee Brackets	13-14

VALANCES

Valance – Arched	13-15
Valance – Classic Arch	13-15
Valance – Colonial	13-16
Valance – Elegant	13-16
Valance – Panel	13-16
Valance – Roman	13-16
Valance – Straight	13-15
Valance – Traditional	13-15

ISLAND LEGS

Brunswick Island Legs	13-17
Fluted Island Legs	13-17
Rope Island Legs	13-17
Shaker Island Legs	13-17
Traditional Island Legs	13-17

FILLERS

135° Filler	13-19
Angled Fillers	13-19
Base Column Boxes	13-20
Corner Base Filler	13-18
Corner Filler	13-18
Filler Overlays	13-19
Fillers	13-18
Tall Column Boxes	13-20
Wall Column Boxes	13-20

WAINSCOT PANELS

Base Wainscot Panels	13-21
Tall Wainscot Panels	13-22
Wainscot (RPBB)	13-22
Wall Wainscot Panels	13-21

APPLIANCE PANELS

Dishwasher Front Panels – Door/Drawer	13-24
Dishwasher Panels – Door Only	13-24
Dishwasher Panels – Framed Style	13-24
Dishwasher Panels – Inset Door/Drawer	13-24
Dishwasher Panels – Inset Door Only	13-24
Refrigerator Panels – Door Only (DO)	13-23
Refrigerator Panels – Framed Style (FS)	13-23
Refrigerator Panels – Overlay Style (OS)	13-23

PANELS

Beaded End Skins	13-26
Dishwasher End Panels	13-25
Double-Thick End Panels	13-25
Edge Banding Material	13-27
End Panels	13-25
End Skins	13-26
Finished Back Panels	13-27
Refrigerator End Panels	13-25
Sheet Stock Panels	13-27
Spice End Panels	13-26

WOOD TOPS

Wood Tops – ¾" Thick	13-28
Wood Tops – 1½" Thick	13-28

SHELVES

Floating Shelves	13-29
Loose Finished Shelves	13-29
Loose Shelves	13-29

MISCELLANEOUS

Door and Drawer Fronts	13-30
Drawer Boxes	13-30
Hinges and Tracks	13-30
Stain & Paint	13-31
Touch-up Kit	13-31

PREFERRED BY KARMAN

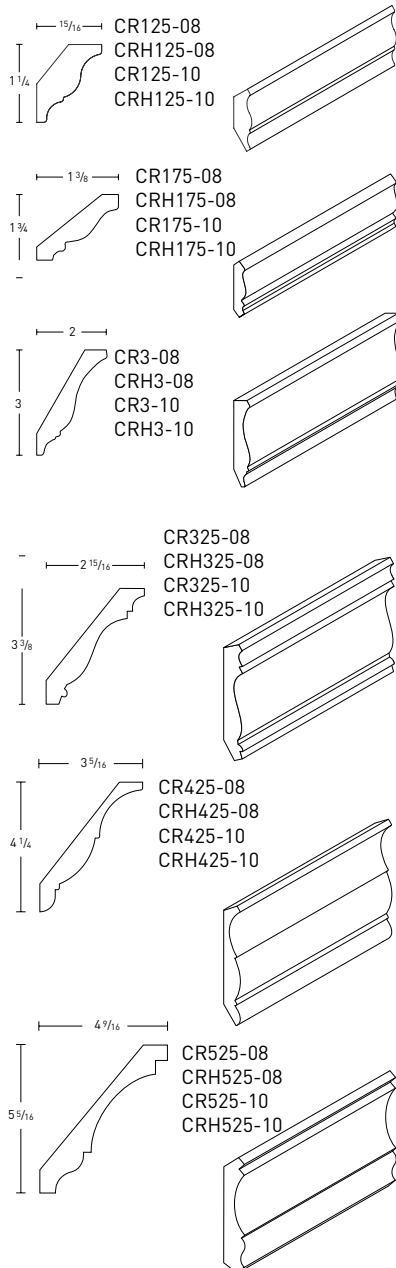
MOLDINGS, FILLERS, PANELS & MISC.

Index by Nomenclature

½" Furniture Core - - - (Panels) - - - - 13-27	CR125-08 - - - - - (Crown) - - - - - 13-1	RFP-OS-_KS - (Ref. Front Panels) - 13-23
½" Plywood F1S - - - (Panels) - - - - 13-27	CR175-08 - - - - - (Crown) - - - - - 13-1	RIL_ - - - - - (Island Legs) - - - - 13-17
½" Plywood F2S - - - (Panels) - - - - 13-27	CR325-08 - - - - - (Crown) - - - - - 13-1	RM-08 - - - - - (Decorative) - - - - 13-12
¾" Furniture Core - - - (Panels) - - - - 13-27	CR425-08 - - - - - (Crown) - - - - - 13-1	RPBB - - - - - (Wainscot Panel) - 13-22
¾" Plywood F1S - - - (Panels) - - - - 13-27	CR525-08 - - - - - (Crown) - - - - - 13-1	RPSS-08 - - - - - (Split Spindle) - - - 13-13
¾" Plywood F2S - - - (Panels) - - - - 13-27	CRB09 - - - - - (Knee Bracket) - - 13-14	RSS-08 - - - - - (Split Spindle) - - - 13-13
1/32" Veneer - - - - - (Panels) - - - - 13-27	CRB11 - - - - - (Knee Bracket) - - 13-14	RTM-08 - - - - - (Decorative) - - - - 13-12
5.2mm Panel F1S - - - (Panels) - - - - 13-27	CRFT - - - - - (Decorative Foot) - 13-13	SCM-08 - - - - - (Scribe) - - - - - 13-7
7/8" Banding - - - (Edge Banding) - - 13-27	CSS3 - - - - - (Split Spool) - - - - 13-13	SCR25-08 - - - (Shaker Crown) - - - 13-2
ADWEP03 - - - (DW End Panel) - - 13-25	CTM-08 - - - (Contemporary Trim) - - 13-7	SCRF25-08 - - - (Shaker Crown) - - - 13-2
AFL396 - - - - - (Angled Filler) - - - 13-19	DBL - - - - - (Decorative Foot) - 13-13	SDL - - - - - (Decorative Foot) - - 13-13
A-LFS_ - - - - - (Loose Shelves) - - 13-29	DFP-DD - - - - (DW Front Panel) - 13-24	Shiplap0696 - - - - - (Shiplap) - - - - 13-11
A-LS_ - - - - - (Loose Shelves) - - 13-29	DFP-DO - - - - (DW Front Panel) - 13-24	Shiplap96C - - - - - (Shiplap Custom) - 13-11
AREP_ - - - - - (Ref. End Panels) - 13-25	DFP-FS - - - - (DW Front Panel) - 13-24	SIL_ - - - - - (Island Legs) - - - - 13-17
BBES34 - - - - (Beaded End Skin) - 13-26	DFP-IDD - - - - (DW Front Panel) - 13-24	SPB6 - - - - - (Plinth Block) - - - 13-13
BCB_ - - - - - (Column Boxes) - - 13-20	DFP-ID - - - - (DW Front Panel) - 13-24	SS3 - - - - - (Split Spool) - - - - 13-13
BCBD_ - - - - - (Column Boxes) - - 13-20	DM-08 - - - - - (Decorative) - - - - 13-12	SS0696_ - - - - (Solid Stock) - - - 13-10
BCBO_ - - - - - (Column Boxes) - - 13-20	DPM-08 - - - - (Decorative) - - - - 13-12	SSB0696 - - - - (Solid Stock) - - - 13-10
BCCR2-08 - - - - (Cove Crown) - - - - 13-3	DRB33 - - - - - (Rosette Block) - - - 13-13	SUBM03-08 - - - (Sub Molding) - - - - 13-8
BCCR25-08 - - - (Cove Crown) - - - - 13-3	DRB66 - - - - - (Rosette Block) - - - 13-13	SUBM15-08 - - - (Sub Molding) - - - - 13-8
BES34 - - - - - (End Skin) - - - - - 13-26	DTEP_ - - - - - (End Panels) - - - - 13-25	TBS96 - - - - - (Toe Base) - - - - - 13-10
BFO_ - - - - - (Filler Overlays) - - 13-19	DWEP_ - - - - - (DW End Panels) - 13-25	TCB_ - - - - - (Column Boxes) - - - 13-20
BIL_ - - - - - (Island Legs) - - - - 13-17	EBM-08 - - - - - (Base Mold) - - - - 13-4	TCBD_ - - - - - (Column Boxes) - - - 13-20
BKB_ - - - - - (Knee Bracket) - - - 13-14	ED25-08 - - - - (Egg & Dart) - - - - 13-12	TCBO_ - - - - - (Column Boxes) - - - 13-20
BLR-08 - - - - - (Light Rail) - - - - 13-8	ED075-08 - - - - (Egg & Dart) - - - - 13-12	TDL - - - - - (Decorative Foot) - 13-13
BM-08 - - - - - (Base Mold) - - - - 13-4	EDL - - - - - (Decorative Foot) - - 13-13	TES_ - - - - - (End Skins) - - - - - 13-26
BSEP01 - - - - (Spice End Panel) - 13-26	EP_ - - - - - (End Panels) - - - - 13-25	TFO_ - - - - - (Filler Overlays) - - - 13-19
BSM-08 - - - - (Base Shoe) - - - - 13-6	FBP_ - - - - - (Back Panels) - - - 13-27	TICM-08 - - - - (Inside Corner) - - - 13-6
BTES_ - - - - (Beaded End Skins) - 13-26	FBPV - - - - - (Back Panel) - - - - 13-27	TIL_ - - - - - (Island Legs) - - - - 13-17
BTM-08 - - - - (Batten) - - - - - 13-6	FIL_ - - - - - (Island Legs) - - - - 13-17	TKB_ - - - - - (Knee Bracket) - - - - 13-14
BTM125-08 - - - (Batten) - - - - - 13-6	FLB_ - - - - - (Fillers) - - - - - 13-18	TLR-08 - - - - - (Light Rail) - - - - 13-8
BVES30 - - - - (Beaded End Skin) - 13-26	FL_ - - - - - (Fillers) - - - - - 13-18	TMF-08 - - - - (Mirror Frame) - - - - 13-5
BWES_ - - - - (Beaded End Skins) - 13-26	FS - - - - - (Floating Shelves) - 13-29	TWP_ - - - - - (Wainscot Panels) - 13-22
BWP_ - - - - - (Wainscot Panels) - - 13-21	FSS-08 - - - - (Split Spindle) - - - 13-13	VA_ - - - - - (Valance) - - - - - 13-15
CA275-08 - - - (Casing Molding) - - - 13-2	ICM-08 - - - - (Inside Corner) - - - 13-6	VCA_ - - - - - (Valance) - - - - - 13-15
CA35-08 - - - (Casing Molding) - - - 13-2	ICR325-08 - - - (Insert Crown) - - - 13-2	VC_ - - - - - (Valances) - - - - - 13-16
CBF330TK - - - (Corner Filler) - - - 13-18	OBM-08 - - - - (Base Mold) - - - - 13-4	VES30 - - - - - (End Skin) - - - - - 13-26
CBM-08 - - - - (Base Mold) - - - - 13-4	OICM-08 - - - - (Inside Corner) - - - 13-6	VE_ - - - - - (Valances) - - - - - 13-16
CCR35-08 - - - (Cove Crown) - - - - 13-3	PBM-08 - - - - (Parting Bead) - - - 13-7	VKB_ - - - - - (Knee Bracket) - - - 13-14
CCR425-08 - - - (Cove Crown) - - - 13-3	PDM - - (Profiled Decorative Molding) 13-11	VP_ - - - - - (Valances) - - - - - 13-16
CDL - - - - - (Decorative Foot) - 13-13	PLR_08 - - - - - (Light Rail) - - - - 13-8	VR_ - - - - - (Valances) - - - - - 13-16
CEM-08 - - - - (Counter Edge) - - - 13-6	PM_08 - - - - - (Pilaster) - - - - 13-9	VS_ - - - - - (Valance) - - - - - 13-15
CF135_ - - - - - (135° Fillers) - - - 13-19	RCM-08 - - - - (Scribe) - - - - - 13-7	VT_ - - - - - (Valance) - - - - - 13-15
CFL330 - - - - - (Corner Filler) - - - 13-18	RCM125-08 - - - (Scribe) - - - - - 13-7	WCB_ - - - - - (Column Boxes) - - - 13-20
CFLB3 - - - - - (Corner Filler) - - - 13-18	RDM-08 - - - - (Decorative) - - - - 13-12	WCBD_ - - - - - (Column Boxes) - - - 13-20
CFO_ - - - - - (Filler Overlays) - - 13-19	RDSS-08 - - - - (Split Spindle) - - - 13-13	WCBO_ - - - - - (Column Boxes) - - - 13-20
CM-08 - - - - (Outside Corner) - - - 13-5	REP_ - - - - - (Ref. End Panels) - 13-25	WES_ - - - - - (End Skins) - - - - - 13-26
CM15-08 - - - - (Outside Corner) - - - 13-5	RFP-DO-_CS - (Ref. Front Panels) - 13-23	WFO_ - - - - - (Filler Overlays) - - - 13-19
CM135-08 - - - - (Outside Corner) - 13-5	RFP-DO-_KS - (Ref. Front Panels) - 13-23	WSEP01_ - - - (Spice End Panels) - 13-26
CMF-08 - - - - (Mirror Frame) - - - 13-5	RFP-FS-_CS - (Ref. Front Panels) - 13-23	WTOP15 - - - - (Wood Tops) - - - - 13-28
CNM-08 - - - - (Cornice) - - - - - 13-9	RFP-FS-_KS - (Ref. Front Panels) - 13-23	WTOP34 - - - - (Wood Tops) - - - - 13-28
CR3-08 - - - - (Crown) - - - - - 13-1	RFP-OS-_CS - (Ref. Front Panels) - 13-23	WWP_ - - - - - (Wainscot Panels) - 13-21

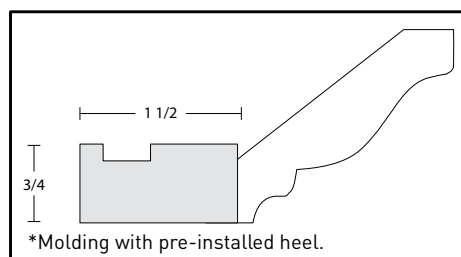
When moldings are on a rustic wood species order, moldings with the most rustic appearance will be used. They may not exactly match the rustic look of other cabinetry components.

CROWN MOLDING

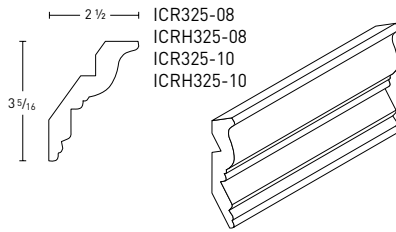


ITEM	LENGTH	
CR125-08	8'	84
CRH125-08	8' w/Heel	171
CR125-10	10'	195
CRH125-10	10' w/Heel	304
CR175-08	8'	71
CRH175-08	8' w/Heel	155
CR175-10	10'	214
CRH175-10	10' w/Heel	323
CR3-08	8'	110
CRH3-08	8' w/Heel	197
CR3-10	10'	228
CRH3-10	10' w/Heel	337
CR325-08	8'	285
CRH325-08	8' w/Heel	372
CR325-10	10'	356
CRH325-10	10' w/Heel	465
CR425-08	8'	182
CRH425-08	8' w/Heel	269
CR425-10	10'	318
CRH425-10	10' w/Heel	427
CR525-08	8'	308
CRH525-08	8' w/Heel	395
CR525-10	10'	475
CRH525-10	10' w/Heel	584

- » No rushes available on all 10' pieces, must be shipped with standard lead time.
- » No UPS available on all 10' pieces, must be shipped on Karman Cycle Truck or common carrier w/ additional fees.



INSERT CROWN MOLDING

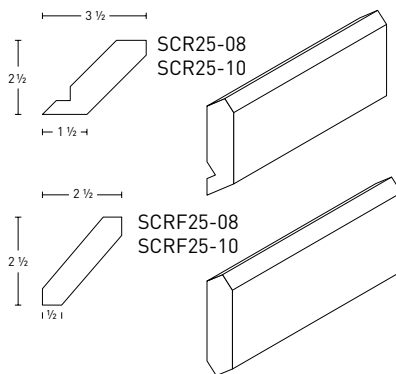


ITEM

ICR325-08	8'	285
ICRH325-08	8' w/Heel	372
ICR325-10	10'	426
ICRH325-10	10' w/Heel	535

- » May be used with rope, dentil, rope twist, reeded decorative, or 3/4" egg and dart molding accents.
- » No rushes available on all 10' pieces, must use standard lead time.
- » No UPS available on all 10' pieces, must be shipped on Karman Cycle Truck or common carrier w/ additional fees.

SHAKER CROWN MOLDING



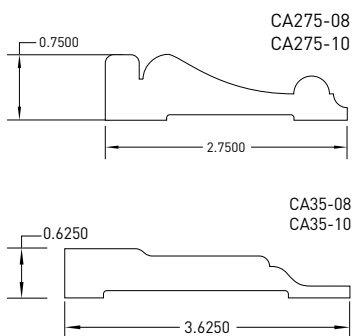
ITEM

DESCRIPTION

SCR25-08	8' w/Integrated Heel	110
SCR25-10	10' w/Integrated Heel	288
SCRF25-08	8' Flat	111
SCRF25-10	10' Flat	229

- » No rushes available on all 10' pieces, must use standard lead time.
- » No UPS available on all 10' pieces, must be shipped on Karman Cycle Truck or common carrier w/ additional fees.

CASING MOLDING



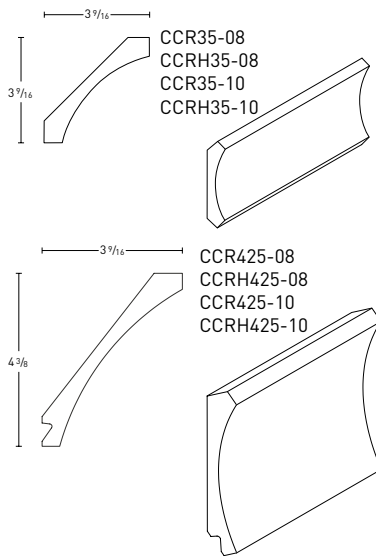
ITEM

DESCRIPTION

CA275-08	Casing Small 2 3/4	196
CA275-10	Casing Small 2 3/4	275
CA35-08	Casing Large 3 5/8	211
CA35-10	Casing Large 3 5/8	294

- » No rushes available on all 10' pieces, must use standard lead time.
- » No UPS available on all 10' pieces, must be shipped on Karman Cycle Truck or common carrier w/ additional fees.

COVE CROWN MOLDING

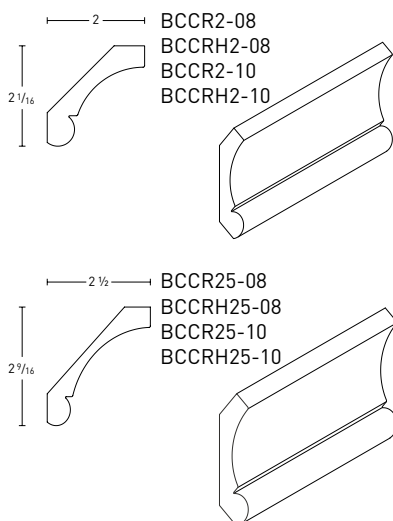


ITEM

CCR35-08	8'	255
CCRH35-08	8' w/Heel	342
CCR35-10	10'	389
CCRH35-10	10' w/Heel	498
CCR425-08	8'	227
CCRH425-08	8' w/Heel	314
CCR425-10	10'	354
CCRH425-10	10' w/Heel	463

- » No rushes available on all 10' pieces, must be standard lead time.
- » No UPS available on all 10' pieces, must be shipped on Karman Cycle Truck or common carrier w/ additional fees.

BEADED COVE CROWN MOLDING

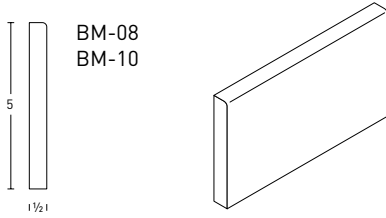


ITEM

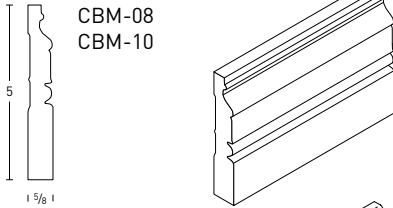
BCCR2-08	8'	182
BCCRH2-08	8' w/Heel	269
BCCR2-10	10'	298
BCCRH2-10	10' w/Heel	407
BCCR25-08	8'	213
BCCRH25-08	8' w/Heel	300
BCCR25-10	10'	336
BCCRH25-10	10' w/Heel	445

- » No rushes available on all 10' pieces, must be standard lead time.
- » No UPS available on all 10' pieces, must be shipped on Karman Cycle Truck or common carrier w/ additional fees.

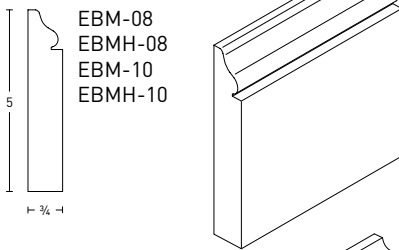
BASE MOLDING



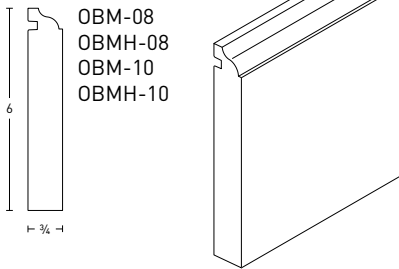
BM-08
BM-10



CBM-08
CBM-10



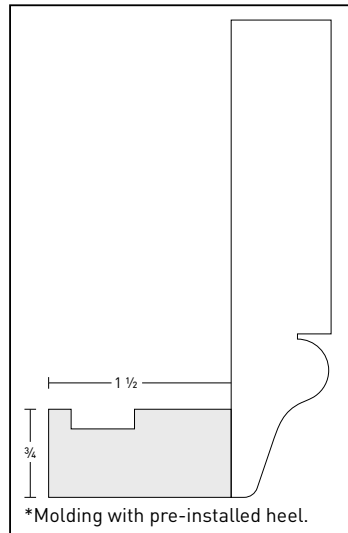
EBM-08
EBMH-08
EBM-10
EBMH-10



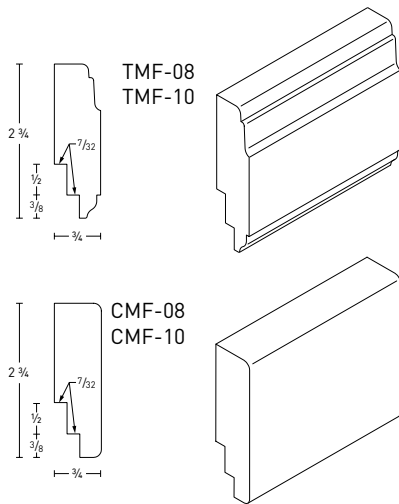
OBM-08
OBMH-08
OBM-10
OBMH-10

ITEM	DESCRIPTION	
BM-08	Bullnose	125
BM-10	Bullnose	286
CBM-08	Colonial	125
CBM-10	Colonial	286
EBM-08	Elegant	234
EBMH-08	Elegant w/Heel	321
EBM-10	Elegant	363
EBMH-10	Elegant w/Heel	472
OBM-08	Ogee	234
OBMH-08	Ogee w/Heel	321
OBM-10	Ogee	363
OBMH-10	Ogee w/Heel	472

- » EBHM and OBMH moldings come with a pre-installed heel on profiled side for use as a top molding.
- » No rushes available on all 10' pieces, must be standard lead time.
- » No UPS available on all 10' pieces, must be shipped on Karman Cycle Truck or common carrier w/ additional fees.



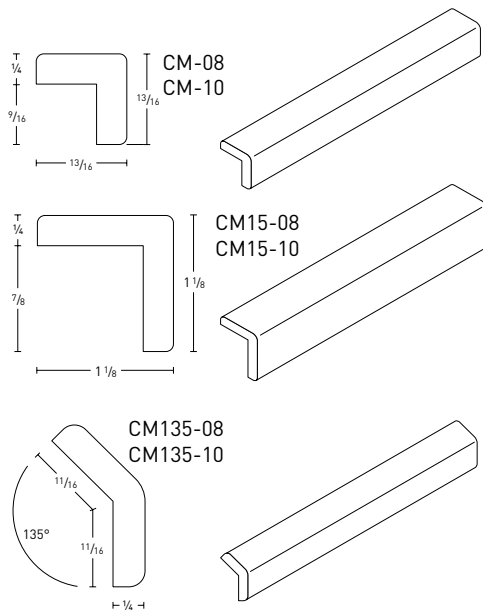
MIRROR FRAME MOLDING



ITEM	DESCRIPTION	
TMF-08	Traditional	111
TMF-10	Traditional	209
CMF-08	Contemporary	111
CMF-10	Contemporary	209

- » No rushes available on all 10' pieces, must be standard lead time.
- » No UPS available on all 10' pieces, must be shipped on Karman Cycle Truck or common carrier w/ additional fees.

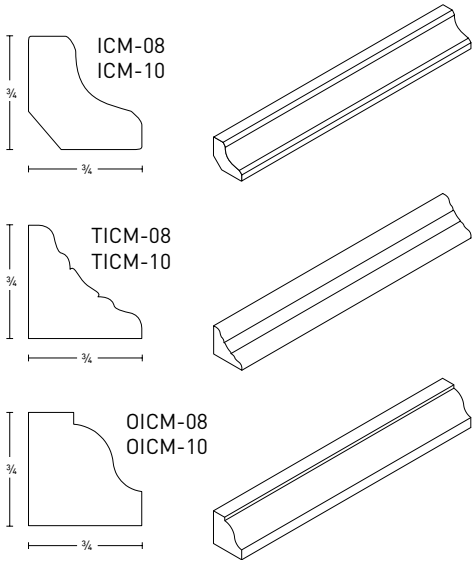
OUTSIDE CORNER MOLDING



ITEM	DESCRIPTION	
CM-08	13/16" Corner Mold	34
CM-10	13/16" Corner Mold	163
CM15-08	1 1/8" Corner Mold	123
CM15-10	1 1/8" Corner Mold	224
CM135-08	135° Corner Mold	43
CM135-10	135° Corner Mold	174

- » No rushes available on all 10' pieces, must be standard lead time.
- » No UPS available on all 10' pieces, must be shipped on Karman Cycle Truck or common carrier w/ additional fees.

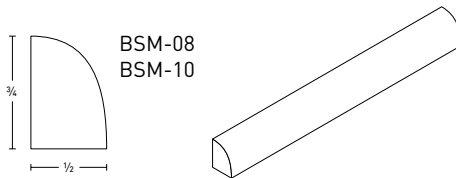
INSIDE CORNER MOLDING



ITEM	DESCRIPTION	
ICM-08	Inside Corner	34
ICM-10	Inside Corner	163
TICM-08	Traditional Inside Corner	61
TICM-10	Traditional Inside Corner	166
OICM-08	Ogee Inside Corner	79
OICM-10	Ogee Inside Corner	169

- » No rushes available on all 10' pieces, must be standard lead time.
- » No UPS available on all 10' pieces, must be shipped on Karman Cycle Truck or common carrier w/ additional fees.

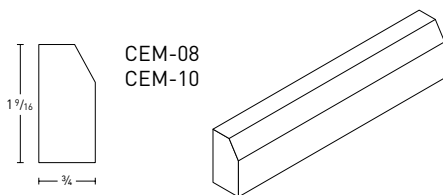
BASE SHOE MOLDING



ITEM		
BSM-08	8'	48
BSM-10	10'	150

- » No rushes available on all 10' pieces, must be standard lead time.
- » No UPS available on all 10' pieces, must be shipped on Karman Cycle Truck or common carrier w/ additional fees.

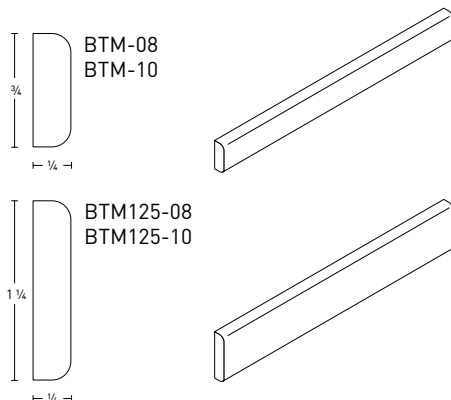
COUNTER EDGE MOLDING



ITEM		
CEM-08	8'	70
CEM-10	10'	198

- » No rushes available on all 10' pieces, must be standard lead time.
- » No UPS available on all 10' pieces, must be shipped on Karman Cycle Truck or common carrier w/ additional fees.

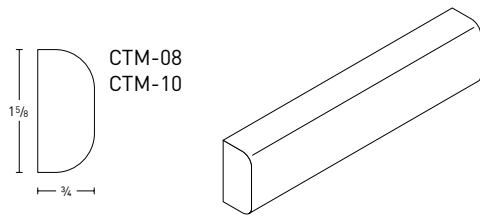
BATTEN MOLDING



ITEM		
BTM-08	8'	29
BTM-10	10'	156
BTM125-08	8'	39
BTM125-10	10'	169

- » No rushes available on all 10' pieces, must be standard lead time.
- » No UPS available on all 10' pieces, must be shipped on Karman Cycle Truck or common carrier w/ additional fees.

CONTEMPORARY TRIM MOLDING



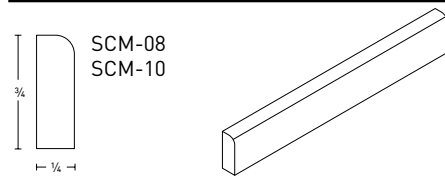
CTM-08
CTM-10

ITEM

ITEM	DESCRIPTION	QUANTITY
CTM-08	8'	67
CTM-10	10'	194

- » No rushes available on all 10' pieces, must be standard lead-time.
- » No UPS available on all 10' pieces, must be shipped on Karman Cycle Truck or common carrier w/ additional fees.

SCRIBE MOLDING



SCM-08
SCM-10

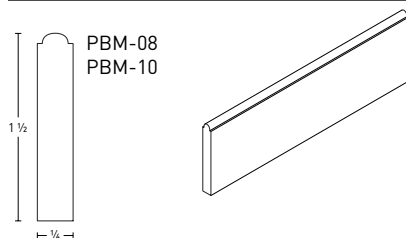
ITEM

DESCRIPTION

ITEM	DESCRIPTION	QUANTITY
SCM-08	3/4" Roundover	32
SCM-10	3/4" Roundover	160

- » No rushes available on all 10' pieces, must be standard lead-time.
- » No UPS available on all 10' pieces, must be shipped on Karman Cycle Truck or common carrier w/ additional fees.

PARTING BEAD MOLDING

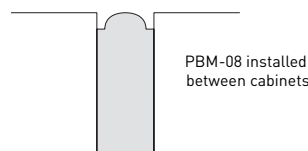


PBM-08
PBM-10

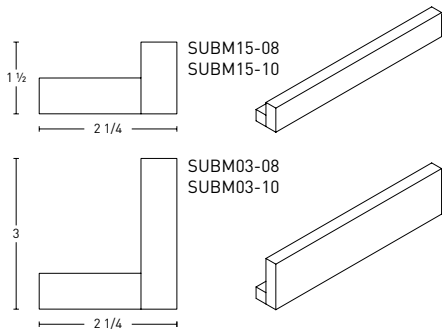
ITEM

ITEM	DESCRIPTION	QUANTITY
PBM-08	8'	131
PBM-10	10'	234

- » No rushes available on all 10' pieces, must be standard lead-time.
- » No UPS available on all 10' pieces, must be shipped on Karman Cycle Truck or common carrier w/ additional fees.
- » Parting bead molding can be used between inset cabinets as an accent.



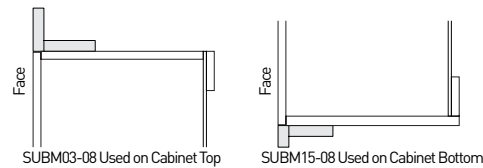
SUB MOLDING



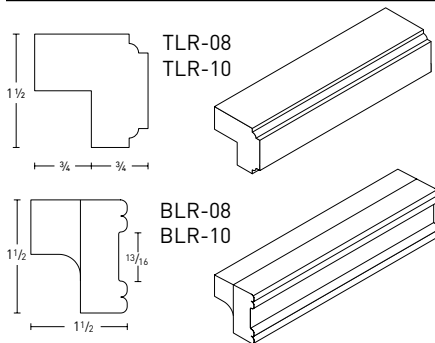
ITEM

SUBM15-08	1 1/2" High	191
SUBM15-10	1 1/2" High	269
SUBM03-08	3" High	232
SUBM03-10	3" High	310

- » Solid wood with machined edges and a butt joint.
- » No rushes available on all 10' pieces, must be standard lead time.
- » No UPS available on all 10' pieces, must be shipped on Karman Cycle Truck or common carrier w/ additional fees.



LIGHT RAIL MOLDING



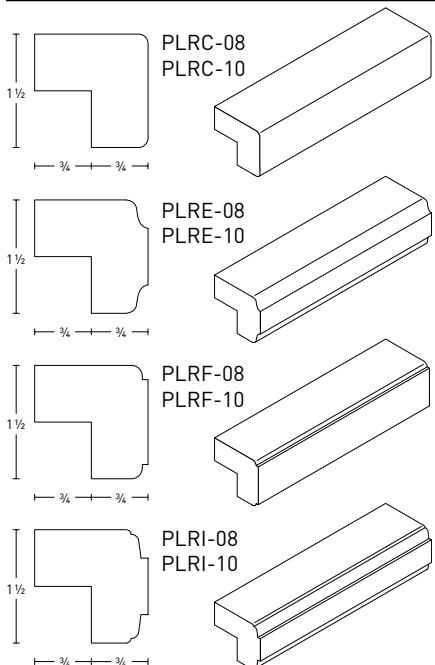
ITEM

DESCRIPTION

TLR-08	Traditional	218
TLR-10	Traditional	343
BLR-08	Beaded	218
BLR-10	Beaded	343

- » No rushes available on all 10' pieces, must be standard lead time.
- » No UPS available on all 10' pieces, must be shipped on Karman Cycle Truck or common carrier w/ additional fees.

PROFILED LIGHT RAIL MOLDING



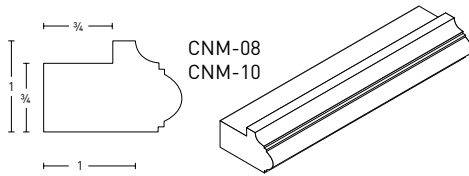
ITEM

DESCRIPTION

PLRC-08	C Profile	211
PLRC-10	C Profile	344
PLRE-08	E Profile	211
PLRE-10	E Profile	344
PLRF-08	F Profile	211
PLRF-10	F Profile	343
PLRI-08	I Profile	211
PLRI-10	I Profile	343

- » Profile on top and bottom match standard Karman door profiles.
- » No rushes available on all 10' pieces, must be standard lead time.
- » No UPS available on all 10' pieces, must be shipped on Karman Cycle Truck or common carrier w/ additional fees.

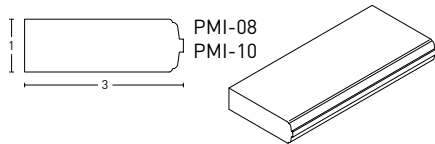
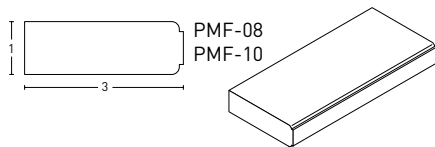
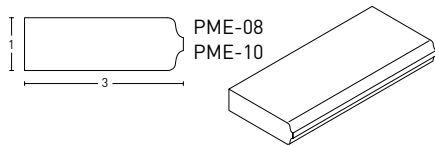
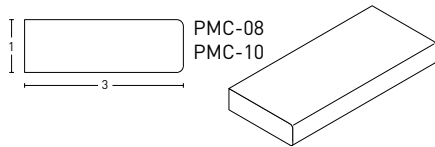
CORNICE MOLDING



ITEM		
CNM-08	8'	100
CNM-10	10'	235

- » Cornice molding can be used as a light rail or flipped and used as a cap to wainscot paneling.
- » No rushes available on all 10' pieces, must be standard lead time.
- » No UPS available on all 10' pieces, must be shipped on Karman Cycle Truck or common carrier w/ additional fees.

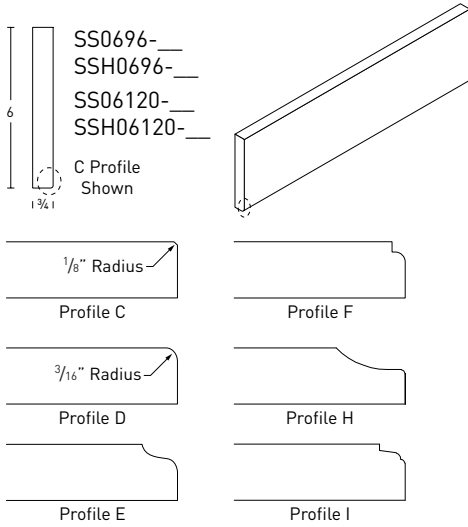
PILASTER MOLDING



ITEM	DESCRIPTION	
PMC-08	C Profile	196
PMC-10	C Profile	335
PME-08	E Profile	196
PME-10	E Profile	335
PMF-08	F Profile	196
PMF-10	F Profile	335
PMI-08	I Profile	196
PMI-10	I Profile	335

- » Profile on top and bottom match standard Karman door profiles.
- » No rushes available on all 10' pieces, must be standard lead time.
- » No UPS available on all 10' pieces, must be shipped on Karman Cycle Truck or common carrier w/ additional fees.

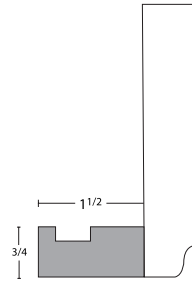
SOLID STOCK



ITEM

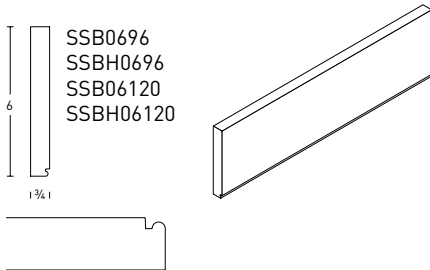
SS0696-C; D; E; F; H; I	8'	234
SSH0696-C; D; E; F; H; I	8' w/Heel	321
SS06120-C; D; E; F; H; I	10'	312
SSH06120-C; D; E; F; H; I	10' w/Heel	421

- » Specify edge profile when ordering.
- » Profile will be applied to one long edge.
- » No rushes available on all 10' pieces must be standard lead-time.
- » No UPS available on all 10' pieces, must be shipped on Karman Cycle Truck or common carrier w/ additional fees.



*Molding with pre-installed heel.

SOLID STOCK – BEADED

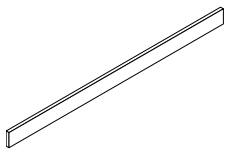


ITEM

SSB0696		234
SSBH0696		321
SSB06120		312
SSBH06120		421

- » No rushes available on all 10' pieces must be standard lead-time.
- » No UPS available on all 10' pieces, must be shipped on Karman Cycle Truck or common carrier w/ additional fees.

TOE BASE SKIN



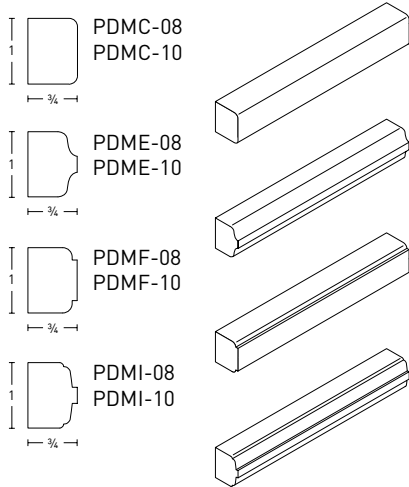
ITEM

DIMENSIONS

TBS96	4 3/8" x 96"	29
-------	--------------	----

- » Veneer skins are 3/16" thick. Not available in rustic or vintage.

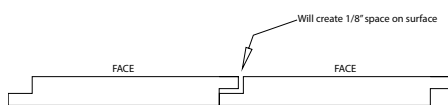
PROFILED DECORATIVE MOLDING



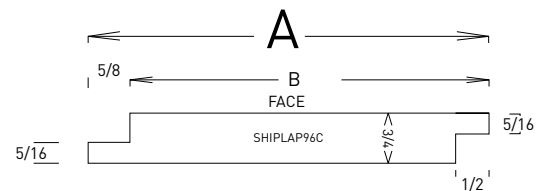
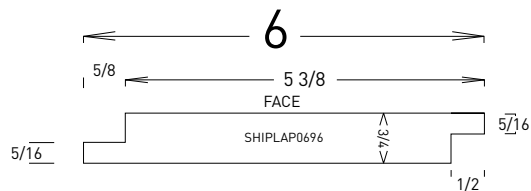
ITEM	DESCRIPTION	
PDMC-08	C Profile	96
PDMC-10	C Profile	210
PDME-08	E Profile	96
PDME-10	E Profile	210
PDMF-08	F Profile	96
PDMF-10	F Profile	210
PDMI-08	I Profile	96
PDMI-10	I Profile	210

- » Profile on top and bottom match standard Karman door profiles.
- » No rushes available on all 10' pieces, must be standard lead-time.
- » No UPS available, must be shipped on Karman Cycle Truck or common carrier w/ additional fees.

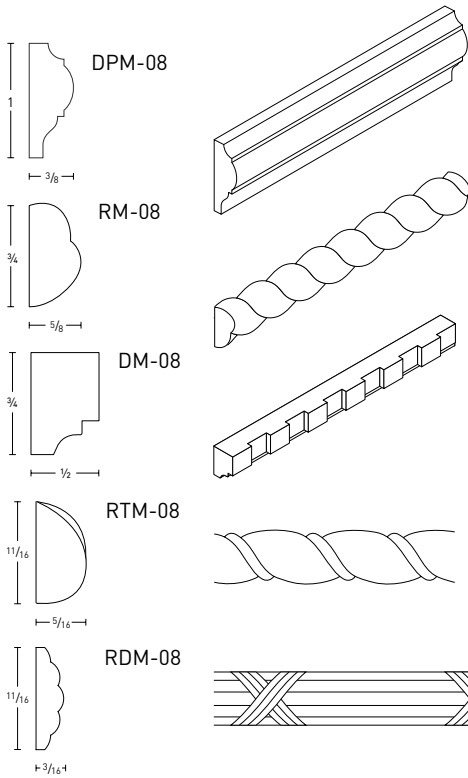
SHIPLAP



ITEM	DIMENSIONS	
SHIPLAP0696	8'	269
SHIPLAP96C	8' (Must specify A dimensions)	298



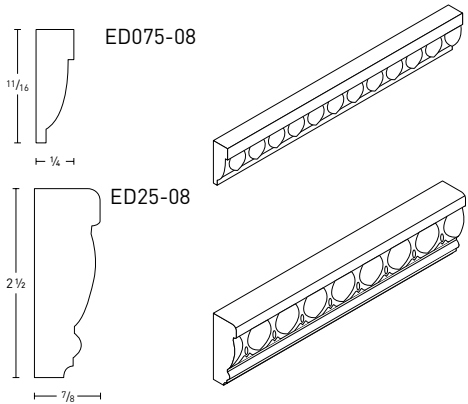
DECORATIVE MOLDING



ITEM	DESCRIPTION	
DPM-08	Decorative Panel Molding	79
RM-08	Rope Molding	205
DM-08	Dentil Molding	205
RTM-08	Rope Twist Molding	255
RDM-08	Reeded Decorative Molding	255

» Moldings will be clear when job is ordered in rustic.

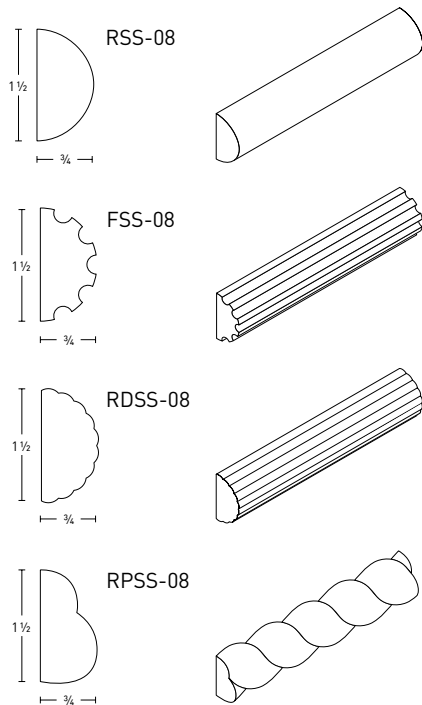
EGG AND DART MOLDING



ITEM	DESCRIPTION	
ED075-08	11/16" Tall	205
ED25-08	2 1/2" Tall	247

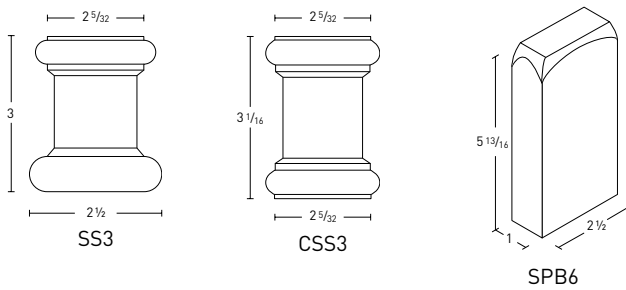
» Available in painted, maple, or cherry.
» Moldings will be clear when job is ordered in rustic.

SPLIT SPINDLES, SPOOLS, & BLOCKS

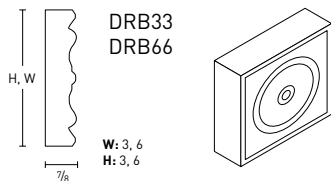


ITEM	DESCRIPTION	
RSS-08	Round Spindle -8'	139
FSS-08	Fluted Spindle -8'	139
RDSS-08	Reeded Spindle -8'	139
RPSS-08	Rope Spindle -8'	213
SS3	Split Spool	27
CSS3	Center Split Spool	27
SPB6	Split Plinth Block	42

» Moldings will be clear when job is ordered in rustic.



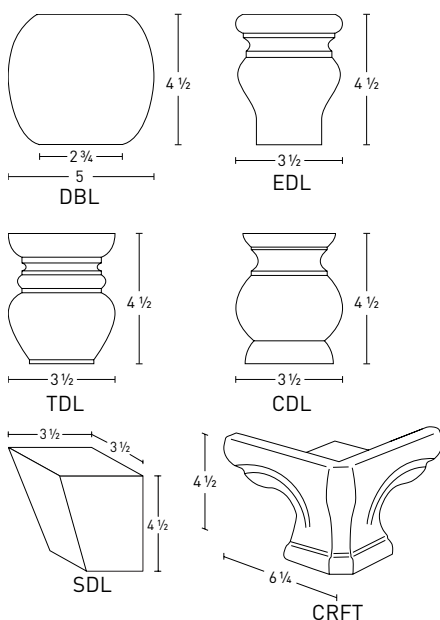
DECORATIVE ROSETTE BLOCK



ITEM	DIMENSIONS	
DRB33	7/8" x 3" x 3"	65
DRB66	7/8" x 6" x 6"	151

» Moldings will be clear when job is ordered in rustic.

DECORATIVE FEET

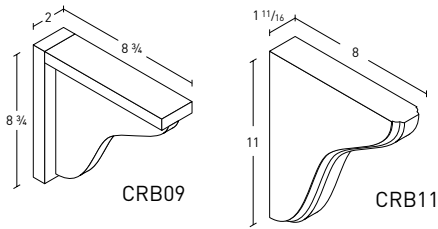


ITEM	DESCRIPTION	
DBL	Decorative Bun Leg	91
EDL	Elegant Decorative Leg	113
TDL	Traditional Decorative Leg	113
CDL	Classic Decorative Leg	113
SDL	Shaker Decorative Leg	91
CRFT	Corner Foot	91

» Feet will be clear Species when job is ordered in rustic.

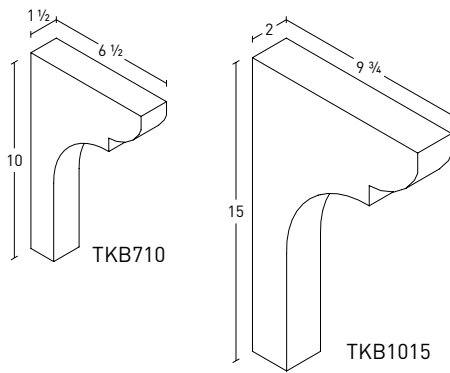
» Order cabinet without toe kick at no charge.

KNEE BRACKETS



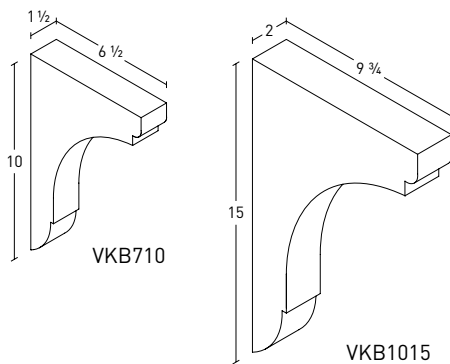
ITEM	DIMENSIONS	DESCRIPTION	
CRB09	2" x 8 3/4" x 8 3/4"	With Back Plates	90
CRB11	1 11/16" x 8" x 11"		235

TRADITIONAL KNEE BRACKETS



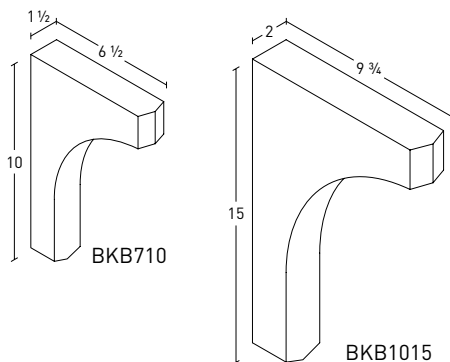
ITEM	DIMENSIONS	
TKB710	1 1/2" x 6 1/2" x 10"	213
TKB1015	2" x 9 3/4" x 15"	235

VICTORIAN KNEE BRACKETS



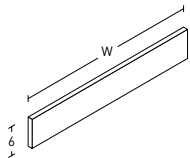
ITEM	DIMENSIONS	
VKB710	1 1/2" x 6 1/2" x 10"	213
VKB1015	2" x 9 3/4" x 15"	235

BEVELED KNEE BRACKETS



ITEM	DIMENSIONS	
BKB710	1 1/2" x 6 1/2" x 10"	213
BKB1015	2" x 9 3/4" x 15"	235

VALANCE – STRAIGHT



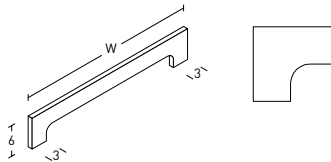
W: 48, 96

ITEM

VS48	146
VS96	210

- » Valances are trimmable.
- » Square machine edge -no profile. See Solid Stock if profiled edge is desired.

VALANCE – ARCHED



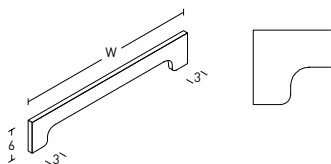
W: 36, 48, 60, 72, 84

ITEM

VA36	128
VA48	174
VA60	222
VA72	265
VA84	309

- » Valances may be trimmed in field up to 1 1/2" on each side for 3" in total width.
- » Square machine edge.

VALANCE – TRADITIONAL



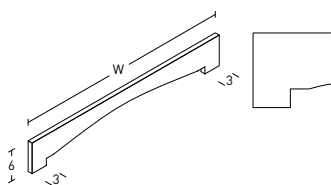
W: 36, 48, 60, 72, 84

ITEM

VT36	128
VT48	174
VT60	222
VT72	265
VT84	309

- » Valances may be trimmed in field up to 1 1/2" on each side for 3" in total width.
- » Square machine edge.

VALANCE – CLASSIC ARCH



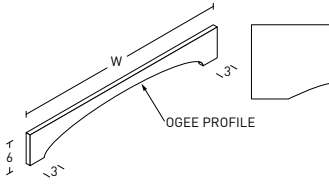
W: 36, 48, 60, 72, 84

ITEM

VCA36	128
VCA48	174
VCA60	222
VCA72	265
VCA84	309

- » Valances may be trimmed in field up to 1 1/2" on each side for 3" in total width.
- » Square machine edge.

VALANCE – ROMAN

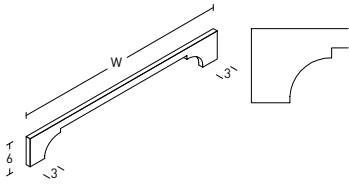


W: 36, 48, 60, 72, 84

ITEM	
VR36	128
VR48	174
VR60	222
VR72	265
VR84	309

- » Valances may be trimmed in field up to 1 ½" on each side for 3" in total width.
- » Ogee profile edge.

VALANCE – ELEGANT

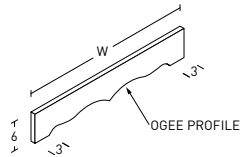


W: 36, 48, 60, 72, 84

ITEM	
VE36	128
VE48	174
VE60	222
VE72	265
VE84	309

- » Valances may be trimmed in field up to 1 ½" on each side for 3" in total width.
- » Square machine edge.

VALANCE – COLONIAL

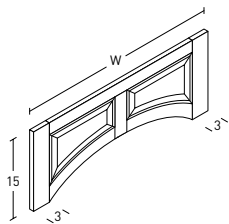


W: 36, 48, 60, 72, 84

ITEM	
VC36	128
VC48	174
VC60	222
VC72	265
VC84	309

- » Valances may be trimmed in field up to 1 ½" on each side for 3" in total width.
- » Ogee profile edge.

VALANCE – PANEL

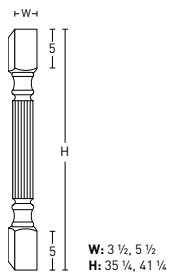


W: 30, 33, 36, 39, 42, 45, 48, 51, 54, 57, 60

ITEM	
VP30 -45	613
VP48 -60	830

- » Available in 3" increments from 30" to 60". Specify length when ordering.
- » Only available 15" high.
- » Valances may be trimmed in field up to 1" on each side for 2" in total width.
- » Vertical grain standard on panels.
- » Closest framing bead and panel substitutions will be made if necessary.

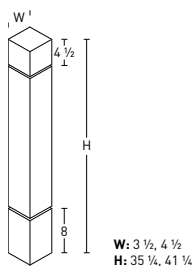
FLUTED ISLAND LEGS



ITEM	DESCRIPTION	
FIL3536	Fluted Island Leg	566
FIL3542	Fluted Island Leg	623
FIL5536	Fluted Island Leg	793
FIL5542	Fluted Island Leg	990

- » Available cut in half for an upcharge of \$55 list.
- » Not available in rustic.

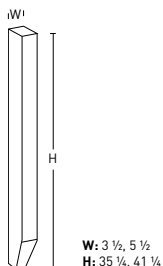
BRUNSWICK ISLAND LEGS



ITEM	DESCRIPTION	
BIL3536	Brunswick Island Leg	566
BIL3542	Brunswick Island Leg	623
BIL4536	Brunswick Island Leg	793
BIL4542	Brunswick Island Leg	990

- » Available cut in half for an upcharge of \$55 list.
- » Not available in rustic.

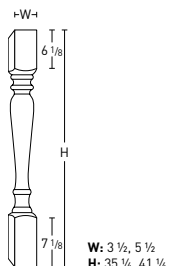
SHAKER ISLAND LEGS



ITEM	DESCRIPTION	
SIL3536	Shaker Island Leg	566
SIL3542	Shaker Island Leg	623
SIL5536	Shaker Island Leg	793
SIL5542	Shaker Island Leg	990

- » Available cut in half for an upcharge of \$55 list.
- » Not available in rustic.

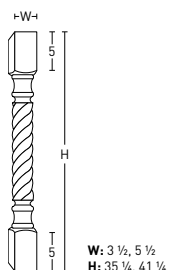
TRADITIONAL ISLAND LEGS



ITEM	DESCRIPTION	
TIL3536	Traditional Island Leg	566
TIL3542	Traditional Island Leg	623
TIL5536	Traditional Island Leg	793
TIL5542	Traditional Island Leg	990

- » Available cut in half for an upcharge of \$55 list.
- » Not available in rustic.

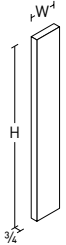
ROPE ISLAND LEGS



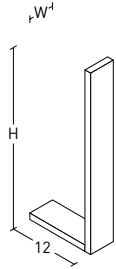
ITEM	DESCRIPTION	
RIL3536	Rope Island Leg	566
RIL3542	Rope Island Leg	623
RIL5536	Rope Island Leg	793
RIL5542	Rope Island Leg	990

- » Available cut in half for an upcharge of \$55 list.
- » Not available in rustic.

FILLERS

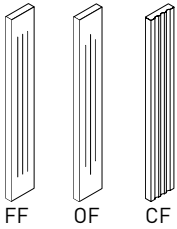


W: 3, 6
H: 30, 34 1/2, 42, 84, 96



FILLER
WITH FLOOR

W: 3, 6
H: 30, 42



ITEM	DIMENSIONS	
STANDARD FILLERS		
FL330	3/4" x 3" x 30"	52
FL630	3/4" x 6" x 30"	77
FL342	3/4" x 3" x 42"	65
FL642	3/4" x 6" x 42"	95
FILLERS WITH FLOOR		
FLF330	3/4" x 3" x 30"	104
FLF630	3/4" x 6" x 30"	154
FLF342	3/4" x 3" x 42"	130
FLF642	3/4" x 6" x 42"	190
FLUSH TOE FILLERS		
FLB3	3/4" x 3" x 34 1/2" (base flush toe)	56
FLB6	3/4" x 6" x 34 1/2" (base flush toe)	81
TALL FILLERS		
FL384	3/4" x 3" x 84"	123
FL396	3/4" x 3" x 96"	143
FL696	3/4" x 6" x 96"	219
INCREASED HEIGHT FILLERS		
FL3IH	120" max height.	286
FL6IH	120" max height.	438
ADD FLUTING		
	30", 34 1/2", 42"	84", 96"
M-AF-FF	83	133
M-AF-OF	83	133
M-AF-CF	83	133

- » Not available in vintage.
- » Fillers with a floor come standard as 12" deep, specify increased or reduced depth if required.
- » The floor will be will be same material as a wall cabinet, specify finished bottom if matching veneer bottom is required.
- » Height of FL3IH and FL6IH must be specified when ordered. Height must be more than 96" and the maximum height is 120".

CORNER FILLER

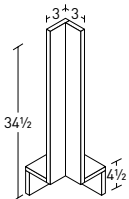


H: 30, 42

ITEM	DIMENSIONS	
CFL330	3/4" x 3" x 3" x 30"	91
CFLB3	3/4" x 3" x 3" x 34 1/2" (base flush toe)	95
CFL342	3/4" x 3" x 3" x 42"	107

- » Not available in vintage.

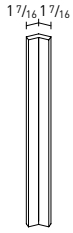
CORNER BASE FILLER



ITEM	DIMENSIONS	
CBF330TK	3/4" x 3" x 3" (base recessed toe)	137

- » Corner base filler with toe kick comes assembled.
- » Not available in vintage.

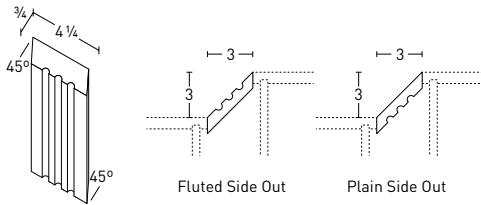
135° FILLER



ITEM	DIMENSIONS	
CF13530	3/4" x 1 9/16" x 30"	65
CF13542	3/4" x 1 9/16" x 42"	88
CF13596	3/4" x 1 9/16" x 96"	298

- » Reversible, can be used as an inside or outside 135° corner filler.
- » Inside dimension is 1 9/16".
- » Not available in vintage.

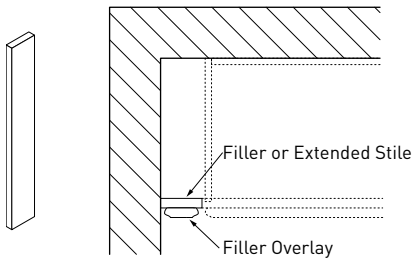
ANGLED FILLERS



ITEM	DIMENSIONS	
AFL396	3/4" x 4 1/4" x 96"	247

- » Not available in rustic or vintage.

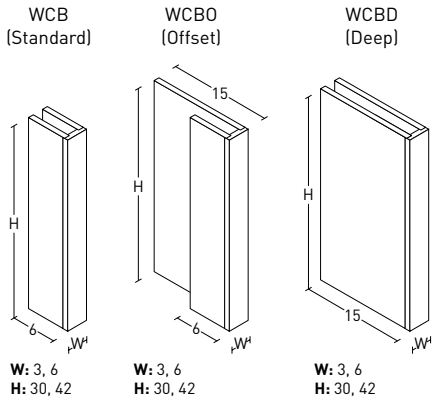
FILLER OVERLAYS



ITEM	DESCRIPTION	
WFO-03	Wall	97
WFO-06	Wall	131
BFO-03	Base	97
BFO-06	Base	131
TFO-03	Tall	172
TFO-06	Tall	319
CFO-03	Corner	159

- » Specify height of filler that overlay will be applied to. Overlay filler will match top and bottom door reveals as standard. Specify exact dimensions if needed.
- » All sides receive matching edge profile to door style. Miter door styles receive edge profile C

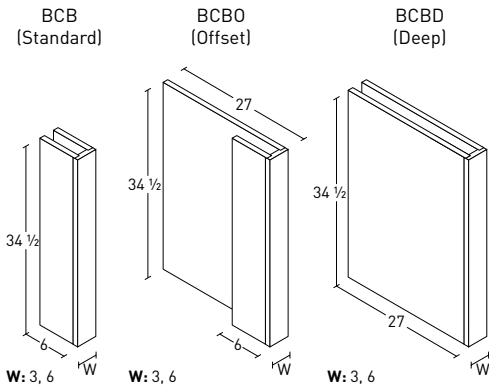
WALL COLUMN BOXES



ITEM	
STANDARD - Both Ends 6"	
WCB-0330	267
WCB-0342	320
WCB-0630	302
WCB-0642	362
OFFSET - One 6" End, One 15" End	
WCBO-0330	345
WCBO-0342	563
WCBO-0630	390
WCBO-0642	604
DEEP - Both Ends 15"	
WCBD-0330	430
WCBD-0342	648
WCBD-0630	475
WCBD-0642	689

» Both ends structured as a finished flush end.

BASE COLUMN BOXES

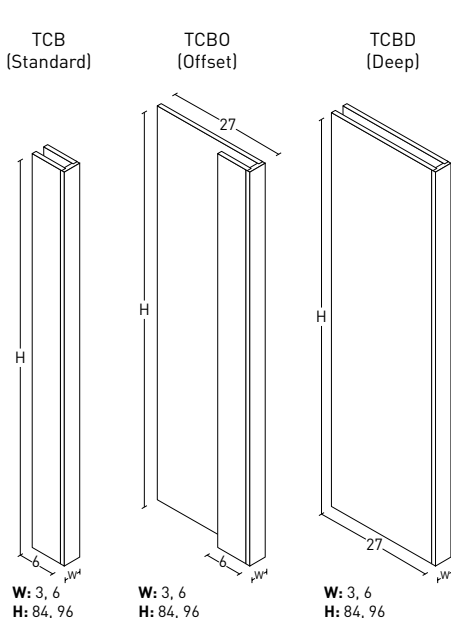


ITEM	
STANDARD - Both Ends 6"	
BCB-03	304
BCB-06	317
OFFSET - One 6" End, One 27" End	
BCBO-03	394
BCBO-06	407
DEEP - Both Ends 27"	
BCBD-03	479
BCBD-06	492

» Both ends structured as a finished flush end.

» Standard with flush toe. Offset fillers will not be reversible if fluting is added; specify if 27" end will be on left or right.

TALL COLUMN BOXES



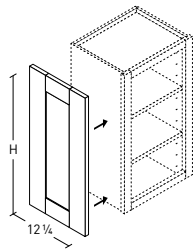
ITEM	
STANDARD - Both Ends 6"	
TCB-0384	592
TCB-0396	676
TCB-0684	618
TCB-0696	706
OFFSET - One 6" End, One 27" End	
TCBO-0384	863
TCBO-0396	987
TCBO-0684	897
TCBO-0696	1019
DEEP - Both Ends 27"	
TCBD-0384	1008
TCBD-0396	1132
TCBD-0684	1042
TCBD-0696	1164

» Both ends structured as a finished flush end.

» Standard with flush toe.

» Offset fillers will not be reversible if fluting is added; specify if 27" end will be on left or right.

WALL WAINSCOT PANELS

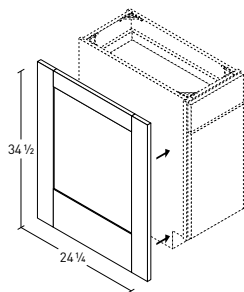


H: 24, 30, 33, 36, 39, 42

ITEM	A	B	C	D	E	F
WWP12-27 (Specify height in 3" increments)	184	203	221	258	276	295
WWP30	205	226	246	287	308	328
WWP33	214	236	257	300	321	343
WWP36	223	246	268	313	335	357
WWP39	241	266	290	338	362	386
WWP42	257	283	309	360	386	412

- » **Mortise and Tenon Door Styles:** Rail sizes noted below account for a close resemblance to the front cabinet door framing and reveals. Panel edges are 90°.
 - Top rail: 3 1/4", 4", or 4 1/2" depending on cabinet door frame width.
 - Bottom rail: 2 1/4", 3", or 3 1/2" depending on cabinet door frame width.
- » **Mitered Door Styles:** Panels are loose doors that will be sized for reveals to match front. This allows molding to be applied to side of cabinet.
 - Cabinet end **MUST** be finished. End will be exposed around the door due to reveal.
- » **Inset Door Styles:** Panels are built as doors fixed in frame. Panel edges are 90°.
- » All wall wainscot panels built 12 1/4" deep for scribing to the wall.

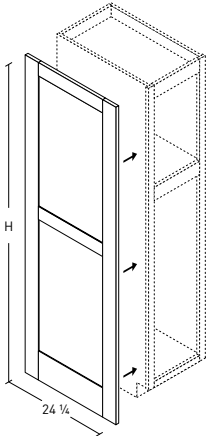
BASE WAINSCOT PANELS



ITEM	A	B	C	D	E	F
BWP	367	404	441	514	551	588

- » **Mortise and Tenon Door Styles:** Rail sizes noted below account for a close resemblance to the front cabinet door framing and reveals. Panel edges are 90°. There will be no toe notch.
 - Top rail: 2 1/4", 3", or 3 1/2" depending on cabinet door frame width.
 - Bottom rail: 7", 7 3/4", or 8 1/4" depending on cabinet door frame width.
- » **Mitered Door Styles:** Panels are loose doors that will be sized for reveals to match front. This allows molding to be applied to side of cabinet. Panel will not cover toe area, notch will be visible (i.e., a door panel will be 29" high on a standard height base cabinet).
 - Cabinet end **MUST** be finished. End will be exposed around the door due to reveal.
- » **Inset Door Styles:** Panels are built as doors fixed in frame. Panel edges are 90°. There will be no toe notch.
- » All base wainscot panels built 24 1/4" deep for scribing to the wall.

TALL WAINSCOT PANELS

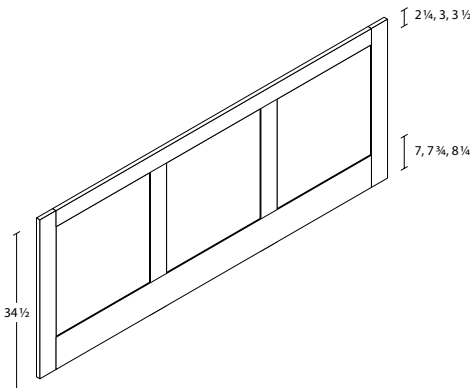


H: 84, 87, 90, 93, 96

ITEM	A	B	C	D	E	F
TWP84	935	1029	1122	1309	1403	1496
TWP87	982	1081	1179	1375	1473	1572
TWP90	1032	1136	1239	1445	1548	1652
TWP93	1084	1193	1301	1518	1626	1735
TWP96	1139	1253	1367	1595	1709	1823

- » **Mortise and Tenon Door Styles:** Rail sizes noted below account for a close resemblance to the front cabinet door framing and reveals. Panel edges are 90°. There will be no toe notch.
 - Top rail: 3 1/4", 4", or 4 1/2" depending on cabinet door frame width.
 - Bottom rail: 7", 7 3/4", or 8 1/4" depending on cabinet door frame width.
- » **Mitered Door Styles:** Panels are loose doors that will be sized for reveals to match front. This allows molding to be applied to side of cabinet. Panel will not cover toe area, notch will be visible (i.e., a door panel will be 78" high on a 84" tall base cabinet with 1" reveal on top and 5" reveal on bottom).
 - Cabinet end **MUST** be finished. End will be exposed around the door due to reveal.
- » **Inset Door Styles:** Panels are built as doors in frame. Panel edges are 90°. There will be no toe notch.
- » Framed and inset door styles will be built as a tall door with two equal height panels. Mitered door styles will come as two doors. Front door heights may be matched by request.
- » All tall wainscot panels built 24 1/4" deep for scribing to the wall.

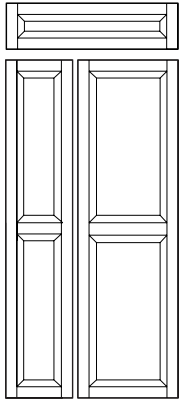
WAINSCOT (RPBB)



ITEM (\$ per square foot)	A	B	C	D	E	F
RPBB	69	69	75	75	75	99

- » Panel edges are 90°.
- » When ordering raised panel bar backs and base decorative back panels, order the exact size you need. Maximum height 42". Maximum length 96". If over 96" two or more bar backs are required.
- » The quantity and size of panels will be determined to suit the proper visual appearance. Up to 24" will be one panel. From 24" ~ 48" will be two panels. From 48" ~ 72" will be three panels. From 72" ~ 96" will be four panels.
- » Mortise and Tenon door styles will have the following rail sizes:
 - Top rail: 2 1/4", 3", or 3 1/2" depending on cabinet door frame width.
 - Bottom rail: 7", 7 3/4", or 8 1/4" depending on cabinet door frame width.
- » Mitered door styles, Estate, Richmond, Seville, Stelvio, Timpanogos, Willow, Metro, and Nova will be built as face frames with doors attached to frame.
- » Square Foot Pricing Example: 60" x 34 1/2" = 2070 square inches. 2070 square inches divided by 144 = 14.4 square feet. Take the price per square foot times the number of square feet and round up. Example: \$69 x 14.4 = \$994 list price.

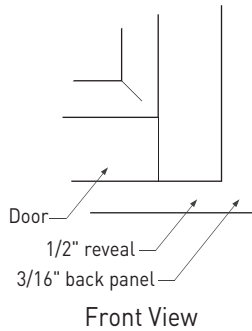
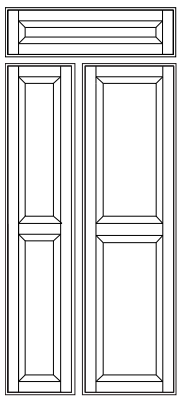
REFRIGERATOR FRONT PANELS – DOOR ONLY (DO)



ITEM	A	B	C	D	E	F
CUSTOMER-SUPPLIED WORKSHEET						
RFP-DO-30-CS	1046	1151	1256	1465	1569	1674
RFP-DO-36-CS	1087	1196	1305	1522	1631	1740
RFP-DO-42-CS	1147	1262	1377	1606	1721	1836
RFP-DO-48-CS	1213	1335	1456	1699	1820	1941
KARMAN-CALCULATED SIZING						
RFP-DO-30-KS	1630	1793	1956	2282	2445	2608
RFP-DO-36-KS	1670	1837	2004	2338	2505	2672
RFP-DO-42-KS	1730	1903	2076	2422	2595	2768
RFP-DO-48-KS	1797	1977	2157	2516	2696	2876

- » Use the Refrigerator Front Panel -Door Only (RFP-DO) worksheet found in the General Information section to receive the pricing for Customer-Supplied Worksheet.
- » Manufacturer and model number must be supplied if Karman is to calculate sizing.

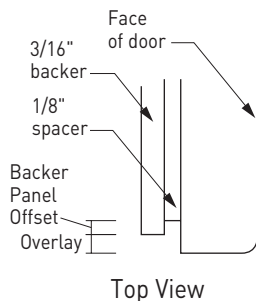
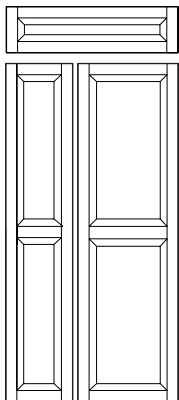
REFRIGERATOR FRONT PANELS – FRAMED STYLE (FS)



ITEM	A	B	C	D	E	F
CUSTOMER-SUPPLIED WORKSHEET						
RFP-FS-30-CS	1046	1151	1256	1465	1569	1674
RFP-FS-36-CS	1087	1196	1305	1522	1631	1740
RFP-FS-42-CS	1147	1262	1377	1606	1721	1836
RFP-FS-48-CS	1213	1335	1456	1699	1820	1941
KARMAN-CALCULATED SIZING						
RFP-FS-30-KS	1630	1793	1956	2282	2445	2608
RFP-FS-36-KS	1670	1837	2004	2338	2505	2672
RFP-FS-42-KS	1730	1903	2076	2422	2595	2768
RFP-FS-48-KS	1797	1977	2157	2516	2696	2876

- » Use the Refrigerator Front Panel -Framed Style (RFP-FS) worksheet found in the General Information section to receive the pricing for Customer-Supplied Worksheet.
- » Manufacturer and model number must be supplied if Karman is to calculate sizing.

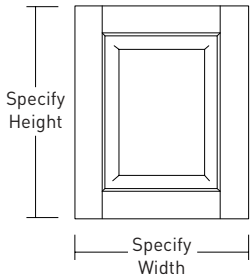
REFRIGERATOR FRONT PANELS – OVERLAY STYLE (OS)



ITEM	A	B	C	D	E	F
CUSTOMER-SUPPLIED WORKSHEET						
RFP-OS-30-CS	1046	1151	1256	1465	1569	1674
RFP-OS-36-CS	1087	1196	1305	1522	1631	1740
RFP-OS-42-CS	1147	1262	1377	1606	1721	1836
RFP-OS-48-CS	1213	1335	1456	1699	1820	1941
KARMAN-CALCULATED SIZING						
RFP-OS-30-KS	1630	1793	1956	2282	2445	2608
RFP-OS-36-KS	1670	1837	2004	2338	2505	2672
RFP-OS-42-KS	1730	1903	2076	2422	2595	2768
RFP-OS-48-KS	1797	1977	2157	2516	2696	2876

- » Use the Refrigerator Front Panel -Overlay Only (RFP-OS) worksheet found in the General Information section to receive the pricing for Customer-Supplied Worksheet.
- » Manufacturer and model number must be supplied if Karman is to calculate sizing.

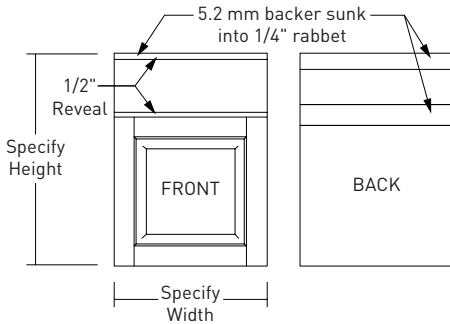
DISHWASHER FRONT PANELS – DOOR ONLY



ITEM	A	B	C	D	E	F
DFP-DO	265	265	360	410	510	510

» Specify width and height of door. Typical door height would be 29 3/4".

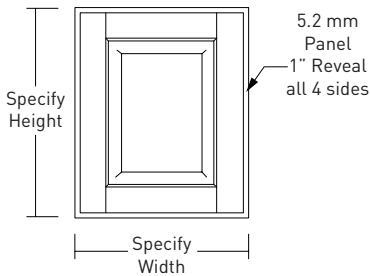
DISHWASHER FRONT PANELS – DOOR AND DRAWER



ITEM	A	B	C	D	E	F
DFP-DD	466	513	560	653	699	746

» Specify overall width and height. Typical height would be 29 3/4".

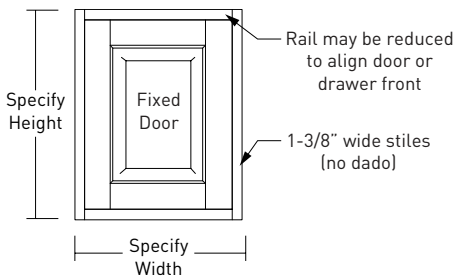
DISHWASHER FRONT PANELS – FRAMED STYLE



ITEM	A	B	C	D	E	F
DFP-FS	318	318	432	492	612	612

» Built with door attached to 5.2 mm panel.
 » Door will come standard with 1" reveals on all 4 sides. Specify for custom reveals.
 » Specify overall width and height.

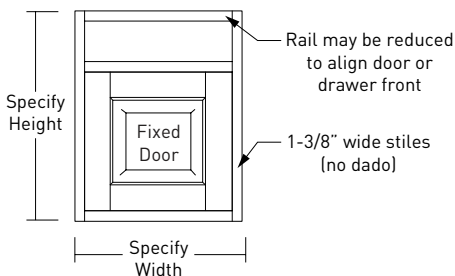
DISHWASHER FRONT PANELS – INSET DOOR ONLY



ITEM	A	B	C	D	E	F
DFP-ID	466	513	560	653	699	746

» Specify overall width and height. Typical height would be 29 3/4".

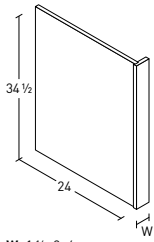
DISHWASHER FRONT PANELS – INSET DOOR AND DRAWER



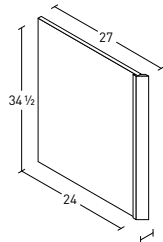
ITEM	A	B	C	D	E	F
DFP-IDD	466	513	560	653	699	746

» Specify overall width and height. Typical height would be 29 3/4".

DISHWASHER END PANELS



W: 1 1/2, 3, 6

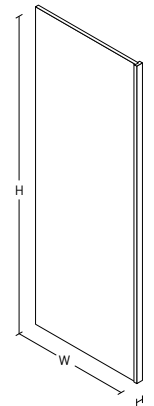


ADWE
(Angled)

ITEM	DIMENSIONS	
DWE15	1 1/2" x 24" x 34 1/2"	174
DWE103	3" x 24" x 34 1/2"	199
DWE106	6" x 24" x 34 1/2"	235
ADWE103	3" x 27" x 34 1/2"	228

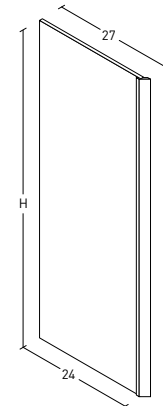
- » Angled or straight stile is solid wood.
- » Outside end is structured as finished flush end, inside end comes finished as well.
- » Not available in vintage.

REFRIGERATOR END PANELS



W: 24, 27, 30
H: 84, 96

REP



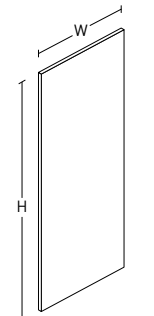
H: 84, 96

AREP
(Angled)

ITEM	DIMENSIONS	
REP1584	1 1/2" x 24" x 84"	472
REP1596	1 1/2" x 24" x 96"	530
REP1596-27	1 1/2" x 27" x 96"	574
REP1596-30	1 1/2" x 30" x 96"	618
REP0384	3" x 24" x 84"	645
REP0396	3" x 24" x 96"	669
REP0396-27	3" x 27" x 96"	713
REP0396-30	3" x 30" x 96"	757
AREP84	3" x 27" x 84"	541
AREP96	3" x 27" x 96"	609

- » Angled or straight stile is solid wood.
- » Outside end is structured as finished flush end, inside end comes finished as well.
- » Not available in vintage.

END PANELS

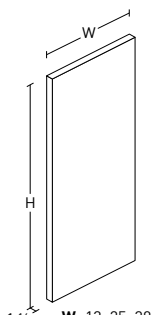


W: 13, 25, 30
H: 34 1/2, 42, 84, 96

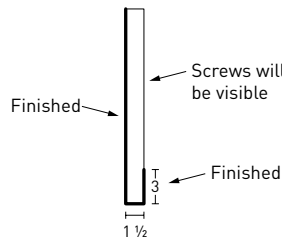
ITEM	DIMENSIONS	
EP1242	3/4" x 12" x 42"	78
EP2434	3/4" x 24" x 34 1/2"	114
EP2484	3/4" x 24" x 84"	246
EP2496	3/4" x 24" x 96"	277
EP3084	3/4" x 30" x 84"	328
EP3096	3/4" x 30" x 96"	369

- » All EP's are finished on both sides and are banded on both long edges.
- » Not available in vintage.
- » Edge banding is .5 mil thick solid lumber.

DOUBLE-THICK END PANELS



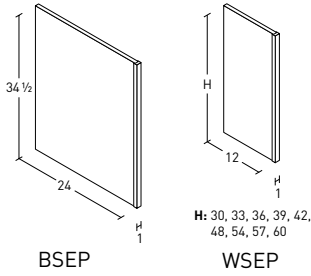
W: 13, 25, 30
H: 34 1/2, 42, 84, 96



ITEM	DIMENSIONS	
DTEP1342	1 1/2" x 13" x 42"	238
DTEP2534	1 1/2" x 25" x 34 1/2"	325
DTEP2584	1 1/2" x 25" x 84"	738
DTEP2596	1 1/2" x 25" x 96"	799
DTEP3084	1 1/2" x 30" x 84"	917
DTEP3096	1 1/2" x 30" x 96"	989

- » Double-Thick End Panels are constructed of two 3/4" panels glued and fastened together with edge banding on one long edge. DTEP1342 will have additional edge-banding top and bottom. One side will be fully finished. The front 3" of the other side will be usable, randomly placed screws will be visible beyond 3".
- » Can be trimmed in the field, screws may need to be removed.
- » Not available in vintage.

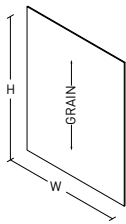
SPICE END PANELS



ITEM	DIMENSIONS	
WSEP0130	1" x 12" x 30"	174
WSEP0133	1" x 12" x 33"	174
WSEP0136	1" x 12" x 36"	174
WSEP0139	1" x 12" x 39"	174
WSEP0142	1" x 12" x 42"	174
WSEP0148	1" x 12" x 48"	174
WSEP0154	1" x 12" x 54"	174
WSEP0157	1" x 12" x 57"	174
WSEP0160	1" x 12" x 60"	174
BSEP01	1" x 24" x 34 1/2" (base flush toe)	174

- » Stile is solid wood.
- » Outside end is structured as finished flush end, inside end comes finished as well.
- » Used to achieve a finished look when using a base or wall spice filler on the end of a run. These panels will add 1" to the width of the spice filler.
- » Not available in vintage.

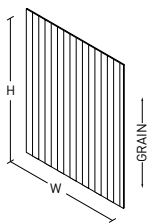
END SKINS



ITEM	DIMENSIONS	
WES1230	11 3/8" x 30"	27
WES1242	11 3/8" x 42"	39
WES1530	14 3/8" x 30"	36
WES1542	14 3/8" x 42"	51
WES1560	14 3/8" x 60"	67
BES34	23 3/8" x 34 1/2"	63
TES1284	11 3/8" x 84"	70
TES1296	11 3/8" x 96"	79
TES2484	23 3/8" x 84"	139
TES2496	23 3/8" x 96"	157
VES30	20 3/8" x 30 1/2"	49

- » End skins are cut 1/8" over on the width to allow for scribing to the wall.
- » Veneer skins are 5.2mm thick.
- » It is recommended that you use a good quality glue to adhere end skins to the box. (such as 3M Spray 90).
- » Not available in vintage or distressed.

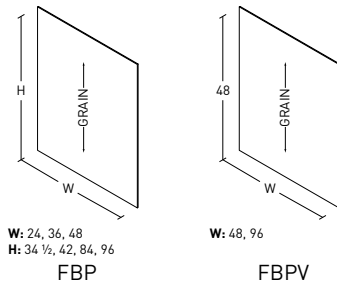
BEADED END SKINS



ITEM	DIMENSIONS	
BWES1230	11 3/8" x 30"	55
BWES1242	11 3/8" x 42"	70
BWES1530	14 3/8" x 30"	63
BWES1542	14 3/8" x 42"	85
BWES1560	14 3/8" x 60"	118
BBES34	23 3/8" x 34 1/2"	97
BTES1284	11 3/8" x 84"	124
BTES1296	11 3/8" x 96"	146
BTES2484	23 3/8" x 84"	209
BTES2496	23 3/8" x 96"	240
BVES30	20 3/8" x 30 1/2"	98

- » Beaded end skins are cut 1/8" over on the width to allow for scribing to the wall.
- » Beaded end skins are grooved every 1 1/2" on center and are 5.2mm thick veneer.
- » It is recommended that you use a good quality glue to adhere end skins to the box (such as 3M Spray 90).
- » Not available in vintage or distressed.

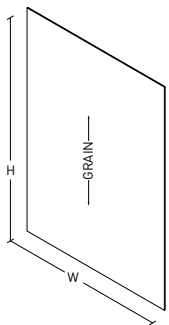
FINISHED BACK PANELS



ITEM	DIMENSIONS	
FBP2434	24" x 34 1/2"	113
FBP2442	24" x 42"	137
FBP2484	24" x 84"	254
FBP2496	24" x 96"	290
FBP3634	36" x 34 1/2"	151
FBP3642	36" x 42"	183
FBP4834	48" x 34 1/2"	189
FBP4842	48" x 42"	231
FBP4848	48" x 48"	252
FBPV4848	48" x 48"	280
FBPV9648	96" x 48"	463

- » Add \$126 for beaded panel. FBPV9648 not available beaded.
- » Veneer FBP's are 5.2mm thick, FBPV's are 3/8" thick.
- » The last measurement indicates the grain direction.
- » Not available in vintage or distressed.

SHEET STOCK PANELS



ITEM	FINISH	FULL SHEET	PERSQ.FT
1/2" Furniture Core	Maple Laminate 2 Sides	227	12
3/4" Furniture Core	Maple Laminate 2 Sides	321	16
1/32" Veneer - 24" x 96"	Finished 1 Side	434	-
5.2mm Panel F1S	Finished 1 Side	450	21
1/2" Plywood F1S	Finished 1 Side	567	26
1/2" Plywood F2S	Finished 2 Sides	630	28
3/4" Plywood F1S	Finished 1 Side	747	35
3/4" Plywood F2S	Finished 2 Sides	830	37

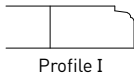
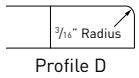
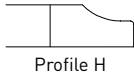
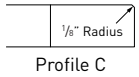
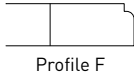
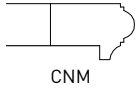
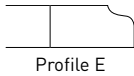
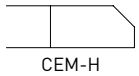
- » Full sheet of 1/32" Veneer is 24" x 96". All others sheet stock panels are 48" x 96".
- » Sheet stock may have slight imperfections.
- » 1/32" Veneer is self stick and sent flat for staining and shipping.
- » 1/32" Veneer is not available rustic. Veneers with most "rustic" appearance will be used when ordered in rustic.
- » 1/32" Veneer is not available with a painted finish.

EDGE BANDING MATERIAL

ITEM	PER LN. FT
7/8" Wood Edge Banding	15

- » Unfinished 7/8" wide, .5 mm thick wood edge banding available in all Karman wood species.

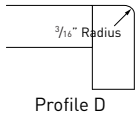
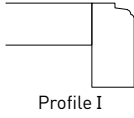
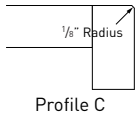
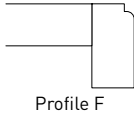
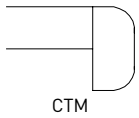
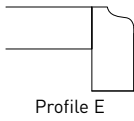
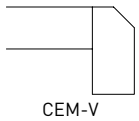
WOOD TOPS – 3/4" THICK



ITEM	Description	PERSQ.FT
WTOP34	3/4" Thick	69

- » Pricing is for rectangular tops only. Tops with non-standard shapes must be submitted to Customer Service for special pricing.
- » Includes profiled edge, specify edge profile type when ordering.
- » Maximum top length is 96".
- » 3/4" thick wood tops are 3/4" veneered plywood core with horizontal hardwood edge trim.
- » Not available in vintage or rustic.
- » Square Foot Pricing Example: 60" x 25 1/2" = 1530 square inches. 1530 square inches divided by 144 = 10.7 square feet. Take the price per square foot times the number of square feet and round up. Example: \$69 x 10.7 = \$739 list price.

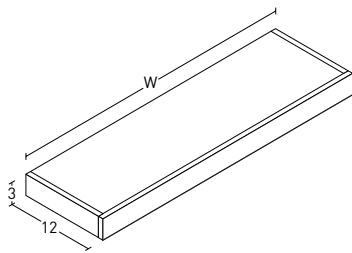
WOOD TOPS – 1 1/2" THICK



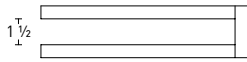
ITEM	Description	PERSQ.FT
WTOP15	1 1/2" Thick	79

- » Pricing is for rectangular tops only. Tops with non-standard shapes must be submitted to Customer Service for special pricing.
- » Includes profiled edge, specify edge profile type when ordering.
- » Maximum top length is 96".
- » 1 1/2" thick wood tops are 3/4" veneered plywood core with vertical hardwood edge trim. Will be built up on bottom sides along edges.
- » Not available in vintage or rustic.
- » Square Foot Pricing Example: 60" x 25 1/2" = 1530 square inches. 1530 square inches divided by 144 = 10.7 square feet. Take the price per square foot times the number of square feet and round up. Example: \$79 x 10.7 = \$846 list price.

FLOATING SHELVES



W: 24, 48, 72, 96



Side View of Optional Unfinished End

ITEM

FS24		784
FS48		920
FS72		1043
FS96		1131
M-JFER-L	Unfinished End	0
M-ADP	Add Designer Profile to Front and Ends	297

- » Face and sides are solid wood, top and bottom are plywood veneer. All sides finished.
- » Use the wall Reduce Cabinet Dimension modifications to reduce width, depth, and height to fit shelf to specific design applications. Min. width: 6". Min. depth: 6". Min height: 2 1/4".
- » Use the wall Increase Cabinet Dimension modification to increase depth and height. Max Height: 6". Max depth: 24". Side supports strongly recommended if depth is increased. Width may not be increased.
- » Comes standard with both ends finished.
- » Unfinished ends are open to allow for installation with cleating.
- » Designer responsible for weight and installation considerations. Karman will not be responsible for failure of shelf if installed and used inappropriately.

LOOSE SHELVES

ITEM

A-LS-PB-12-48	Particle Board	Up to 48" W.	70
A-LS-PB-48-96	Particle Board	Over 48" W.	86
A-LS-PW-12-48	Plywood	Up to 48" W.	79
A-LS-PW-48-96	Plywood	Over 48" W.	97

- » Specify cabinet depth and width or specify exact size of shelf.
- » Shelves will come banded on one long edge.
- » Particle board will be 3/4" thick, laminated melamine.
- » Plywood will be 3/4" thick, maple natural veneer.

LOOSE FINISHED SHELVES

ITEM

A-LFS-12-48	Plywood	Up to 48" W.	96
A-LFS-48-96	Plywood	Over 48" W.	129

- » Specify cabinet depth and width or specify exact size of shelf.
- » Shelves will come banded on one long edge.
- » Plywood will be 3/4" thick, matching wood veneer finished to match.

DOOR AND DRAWER FRONTS

ITEM (\$ per square foot)	A	B	C	D	E	F
Doors	64	64	87	99	123	123
Slab Drawer Fronts	64	64	64	64	64	64
Mitered/5-Pc./Trinity/Marcel Drawer Fronts	99	99	99	99	99	99

- » Minimum of one square foot charge per door or drawer front.
- » Specify width and height of door when ordering. Door or drawer will be exact dimensions specified.
- » Add for Species and finish upcharges.
- » Doors include hinges. Deduct \$12 list per final door cost without hinges.
- » Square Foot Pricing Example: 22" x 28 1/2" = 627 square inches. 627 square inches divided by 144 = 4.4 square feet. Take the price per square foot times the number of square feet and round up to the nearest tenth (one decimal point).
Example: \$53 x 4.4 = \$233.20 list price.
Remember that minimum one square foot charge applies to each item.

DRAWER BOXES

ITEM	Cabinet Width	Standard	Designer
4 1/2" H. Drawer Box	9" -24"	142	329
4 1/2" H. Drawer Box	27" -36"	184	371
4 1/2" H. Drawer Box	39" -48"	195	382
8" H. Drawer Box	9" -24"	168	355
8" H. Drawer Box	27" -36"	210	397
8" H. Drawer Box	39" -48"	221	408

- » Price includes full-extension, soft-close tracks. Deduct \$42 list per drawer without tracks.
- » Specify cabinet and location or specify exact size of drawer.
- » Drawer slides require drawer box width to be 3/8" less than cabinet frame opening width.
- » Drawer slides require that drawer box be exactly 21", 18", 15", 12", or 9" deep. This will be 3" less than cabinet depth, ie: a 24" deep cabinet receives a 21" drawer box.

HINGES AND TRACKS

ITEM		
1/2" Overlay Hinge -6-Way Adjustable	Per Hinge	13
Full Overlay Hinge -6-Way Adjustable	Per Hinge	13
Inset Hinge -6-Way Adjustable	Per Hinge	28
Restrictor Clip	1/2" Overlay or Full Overlay -Per Clip	13
Full-Extension Undermount Glide	Per Pair	87
Designer Drawer Full-Extension Undermount Glide	Per Pair	103

- » Hinges are standard soft-close. Specify if non-soft-close versions are required.

TOUCH-UP KIT

ITEM	
Touch-Up Kit	29

- » Stain finishes receive a light and a dark wax stain stick and one stain marker.
- » Standard paint finishes receive a paint color wax stick and a bottle of matching paint.
- » Custom paint finishes receive a clear wax stick and bottle of custom matching paint.
- » If glaze was ordered, a bottle of matching glaze will be included.

STAIN & PAINT

ITEM	
Gallon	Stain/Paint/Clear Coat/Primer 150
Quart	Stain/Paint/Clear Coat/Primer 49
Pint	Stain/Paint/Clear Coat/Primer 37

- » Paints, primer, and clear coats will ship with appropriate catalyst.
- » All stains, paints and clear coats must ship on Company Truck. UPS not available.

The prices listed on the following pages are **Cabinetry by Karman list prices**. Art for Everyday pieces are priced the same as all other products. Applicable wood Species and finish charges must still be applied.

Most wood species are available. Quarter-sawn Oak and Hickory require special consideration. Red oak is available on all products. The Red Oak product is NOT QUARTER-SAWN, but will provide a close color resemblance when doing quarter-sawn Oak kitchens. Hickory is available, but requires a 30% premium on the Art for Everyday list prices.

Karman requires that all Art for Everyday items be purchased through us. We will not accept products purchased by dealers from outside vendors and shipped to us to be finished with kitchen orders. Karman-purchased Art for Everyday items will ensure that they are received and aligned with orders at the appropriate time during the production cycle.

FINISHING DISCLAIMER: Due to the intricate design and detail of the wood accents and ornaments from Art for Everyday, the level of sanding and appearance of the finish may differ slightly from standard products. Additionally, these hardwoods are not sourced from the same areas as other Karman hardwoods; therefore they can vary in wood color and grain pattern. Variations in the finishing appearance of these wood accents or ornaments, from Karman products will not be considered defective.

Code	Page #	Size	Karman List \$
TRADITIONAL CORBELS			
CBL-PNC4	2	7-1/2" x 15-3/8" x 7-3/4"	\$1,573
CBL-PNC3	2	6-1/8" x 13-1/4" x 6-1/2"	\$1,252
CBL-PNC2	2	4-3/4" x 9-1/2" x 5"	\$871
CBL-PN5	2	14" x 7-3/4" x 15-3/8"	\$1,803
CBL-PN4	2	7-1/2" x 15-3/8" x 7-3/4"	\$1,057
CBL-PN3	2	6-1/8" x 13-1/4" x 6-1/2"	\$836
CBL-PN2	2	4-3/4" x 9-1/2" x 5"	\$563
CBL-BR3	2	6-1/4" x 18" x 7-1/2"	\$1,057
CBL-BR2	2	5-3/8" x 13-3/8" x 6-3/4"	\$706
CBL-BR1	2	3-5/8" x 9" x 4-1/2"	\$516
BRC5	2	6-1/2" x 12" x 10"	\$919
BRC4	2	4" x 14" x 9-1/8"	\$667
BRC3	2	3-1/2" x 12" x 8"	\$563
BRC2	2	2-3/4" x 10" x 6-1/2"	\$494
BRB4	2	5-1/2" x 16-3/8" x 11-3/8"	\$897
BRB3	2	5" x 14" x 10"	\$771
BRB2	2	4-1/4" x 11-3/4" x 8-1/4"	\$663
CBL-WBR3	2	7-1/8" x 13-1/8" x 6-3/4"	\$975
CBL-WBR2	2	5-1/2" x 9" x 5"	\$542
CBL-NBR2	2	4-3/8" x 14" x 7-1/2"	\$862

Code	Page #	Size	Karman List \$
CBL-NBR1	2	3-1/2" x 8-1/2" x 5"	\$494
FB4	2	1-3/4" x 14-3/8" x 11"	\$351
FB3	2	1-3/4" x 12-1/2" x 9-1/2"	\$321
FB2	2	1-3/4" x 10" x 7-3/4"	\$273
CBL-RS4	2	6" x 12-1/2" x 12-1/2"	\$1,326
CBL-RS3	2	5" x 10" x 10"	\$1,118
CBL-RH4	2	6" x 12-1/2" x 12-1/2"	\$1,408
CBL-RH3	2	5" x 10" x 10"	\$1,222
CBL-TR6	2	8-1/2" x 21-1/2" x 6-1/2"	\$1,946
CBL-TR5	2	8-5/8" x 21-5/8" x 9-1/4"	\$2,253
CBL-TR4	2	5-3/4" x 14-1/2" x 6-1/2"	\$997
CBL-TR3	2	4-3/4" x 9-1/2" x 5-1/2"	\$685
CBL-TR2	2	5-1/8" x 12-1/2" x 4"	\$685
CBL-TR1	2	4" x 8-1/8" x 3"	\$516
CBL-TR0	2	2-1/2" x 4-3/8" x 2-1/4"	\$273
CBL-ML5	2	8" x 14" x 5-5/8"	\$975
CBL-ML4	2	4-3/4" x 6" x 12"	\$728
CBL-ML3	2	4" x 8" x 3-1/4"	\$533
CBL-TRH2	2	4-1/2" x 10" x 5-3/4"	\$702
CBL-TB4	2	6-1/2" x 22" x 10"	\$2,253
CBL-TB3	2	5-1/2" x 16" x 8-1/4"	\$1,222
CBL-TB2	2	4-1/2" x 11-3/4" x 5-5/8"	\$706
CBL-TB1	2	3-3/8" x 8-5/8" x 5"	\$572
CBL-WA4	3	7-5/8" x 15" x 7"	\$1,265
CBL-WA3	3	6-7/8" x 12-1/8" x 4-1/4"	\$802
CBL-WA2	3	5" x 8" x 3"	\$542
CBL-NH2	3	3-3/4" x 9" x 3-3/8"	\$646
CBL-NH1	3	2-5/8" x 5-1/4" x 2-1/2"	\$407
CBL-ACF3	3	5-1/2" x 20-3/4" x 5-1/2"	\$1,538
CBL-AC4	3	7-1/2" x 26-1/2" x 3-1/2"	\$1,265
CBL-AC3	3	7" x 21-1/2" x 3-1/4"	\$1,083
CBL-AC2	3	6" x 13-3/4" x 2-1/2"	\$828
CBL-AC1	3	4-1/2" x 10" x 1-7/8"	\$472
CBL-TRP4	3	7-1/2" x 3-1/2" x 26-1/2"	\$875
CBL-TRP3	3	7" x 3-1/4" x 21-1/2"	\$737
CBL-TRP2	3	6" x 2-1/2" x 13-3/4"	\$581
CBL-TRP1	3	4-1/2" x 1-7/8" x 10"	\$351
CBL-FF3	3	5-3/4" x 14" x 6-1/4"	\$1,057
CBL-FF2	3	5" x 11" x 5-1/4"	\$750
CBL-FF1	3	4" x 8" x 4"	\$533
CBL-FR3	3	6-1/8" x 15" x 5-1/2"	\$932
CBL-FR2	3	5-1/4" x 12-1/2" x 4"	\$663
CBL-FR1	3	4" x 8" x 3"	\$516

Code	Page #	Size	Karman List \$
CBL-FRA3	3	6-1/8" x 15" x 5-1/2"	\$997
CBL-FRA2	3	5-1/4" x 12-1/2" x 4"	\$685
CBL-FRA1	3	4" x 8" x 3"	\$555
CBL-VN3	3	6-1/2" x 14" x 5-1/2"	\$953
CBL-VN2	3	5-1/4" x 12" x 4-1/2"	\$685
CBL-VN1	3	4-1/4" x 8" x 3-5/16"	\$516
CBL-CM3	3	5-3/4" x 14" x 6-1/2"	\$1,040
CBL-CM2	3	5-1/4" x 12" x 5"	\$789
CBL-CM1	3	3-3/4" x 8" x 3-3/8"	\$572
CBL-TCY2	3	6-1/2" x 12" x 5-1/4"	\$966
CBL-TCY1	3	5" x 9" x 4"	\$624
CBL-FLT2	3	5-1/8" x 12-5/8" x 4"	\$706
CBL-FLT1	3	4" x 7-7/8" x 3-1/4"	\$516
CBL-SH3	3	7" x 13-1/8" x 7-5/8"	\$1,140
CBL-SH2	3	5-1/2" x 10-1/2" x 5-1/2"	\$871
CBL-SH1	3	4-1/4" x 7" x 4-1/4"	\$555
CBL-FA2	3	4-1/2" x 11-3/8" x 6-1/4"	\$975
CBL-FA1	3	3-1/2" x 8" x 4-1/2"	\$646
CBL-FH4	4	6" x 14-1/2" x 5-1/4"	\$1,057
CBL-FH3	4	5-1/4" x 12-1/2" x 3-3/4"	\$789
CBL-FH2	4	3-1/2" x 8" x 3"	\$572
CBL-OL3	4	7-1/4" x 26-1/2" x 8-3/4"	\$2,912
CBL-OL2	4	5-5/8" x 14" x 6-7/8"	\$1,079
CBL-OL1	4	4-3/4" x 10" x 5"	\$789
CBL-GR3	4	7-1/4" x 26-1/2" x 8-3/4"	\$2,912
CBL-GR2	4	5-1/2" x 14" x 7"	\$1,079
CBL-GR1	4	4-3/4" x 10" x 5"	\$789
CBL-OB2	4	7" x 12" x 6"	\$1,326
CBL-OB1	4	4-1/2" x 7-1/2" x 4"	\$728
CBL-GB2	4	7" x 12" x 6"	\$1,326
CBL-GB1	4	4-1/2" x 7-3/8" x 4"	\$728
CBL-NA3	4	6-3/4" x 21-1/8" x 9"	\$2,106
CBL-NA2	4	4-3/4" x 13-3/4" x 7-7/8"	\$1,200
CBL-NA1	4	3-1/2" x 9" x 5"	\$654
CBL-NOL3	4	2" x 22-1/8" x 6-3/4"	\$975
CBL-NOL2	4	2" x 16" x 5-1/2"	\$685
CBL-NOL1	4	1-3/4" x 12" x 4-1/2"	\$581
CBL-ANC24	4	6-1/2" x 24" x 7-1/2"	\$1,820
CBL-ANF24	4	6-1/2" x 24" x 7-1/2"	\$1,716
MODERN CLASSIC CORBELS			
CBL-EGF2	5	9-1/2" x 8-1/2" x 19-3/8"	\$3,090
CBL-EGF1	5	7-1/2" x 8" x 16-1/4"	\$2,695
CBL-DLP	5	9-1/2" x 8-1/8" x 19"	\$2,717

Code	Page #	Size	Karman List \$
CBL-EWV	5	8-1/2" x 8-1/2" x 17-1/2"	\$3,943
CBL-AVG	5	9-1/2" x 9" x 17-3/4"	\$1,859
CBL-NCF	5	9-3/8" x 7-5/8" x 19-5/8"	\$1,881
CBL-NCS4	5	9-5/8" x 9-3/8" x 20"	\$2,106
CBL-NCS3	5	7-1/2" x 9-1/4" x 20"	\$1,616
CBL-NCS2	5	9-1/2" x 8-1/4" x 13-3/4"	\$1,655
CBL-NCS1	5	7-1/2" x 8-1/4" x 13-5/8"	\$1,283
CBL-NPT2	5	8-1/2" x 5-1/2" x 16-3/4"	\$1,764
CBL-NPT1	5	5-3/4" x 5-1/2" x 16-3/4"	\$1,105
CBL-NCC2	5	8-1/2" x 5-1/2" x 16-3/4"	\$1,200
CBL-NCC1	5	5-3/4" x 5-1/2" x 16-3/4"	\$789
CBL-GKV2	5	10-1/8" x 9-1/2" x 17-1/2"	\$3,168
CBL-GKV1	5	10-1/8" x 8-5/8" x 15-1/2"	\$2,981
CBL-NCP4	5	13" x 11-3/4" x 12"	\$3,042
CBL-NCP3	5	10-1/2" x 11-3/4" x 12"	\$2,812
CBL-NCP2	5	12" x 11-3/4" x 8-1/4"	\$2,908
CBL-NCP1	5	9-1/2" x 11-3/4" x 8-1/4"	\$2,700
CBL-VSV2	5	8-1/2" x 9" x 12"	\$1,950
CBL-VSV1	5	6-1/2" x 9" x 12"	\$1,551
CBL-G2	6	8" x 5-3/4" x 20-1/8"	\$1,114
CBL-G1	6	5" x 5-3/4" x 20-1/8"	\$828
CBL-CRF2	6	8" x 5-3/4" x 20-1/8"	\$1,486
CBL-CRF1	6	5" x 5-3/4" x 20-1/8"	\$1,200
CBL-F2	6	8" x 5-3/4" x 20-1/8"	\$1,673
CBL-F1	6	5" x 5-3/4" x 20-1/8"	\$1,274
CBL-FAS2	6	10-3/8" x 6-7/8" x 8"	\$693
CBL-FAS1	6	7-3/8" x 6-7/8" x 8"	\$620
CBL-CR2	6	10-1/4" x 10" x 8"	\$828
CBL-CR1	6	7-3/8" x 10" x 8"	\$715
CBL-CREV2	6	10-3/8" x 6-7/8" x 8"	\$750
CBL-CREV1	6	7-3/8" x 6-7/8" x 8"	\$654
CBL-ECF2	6	6-1/8" x 4" x 7"	\$485
CBL-ECF1	6	4-1/4" x 4" x 5-7/8"	\$451
CBL-EW2	6	6-1/8" x 5-1/4" x 5-1/4"	\$524
CBL-EW1	6	4-1/8" x 5-1/4" x 5-1/4"	\$485
CBL-EP2	6	6-1/8" x 5-1/4" x 5-1/4"	\$429
CBL-EP1	6	4-1/8" x 5-1/4" x 5-1/4"	\$412
NEW ART CORBELS			
CBL-BAN2	7	9" x 8" x 22-1/2"	\$1,434
CBL-BAW2	7	9" x 8" x 22-1/2"	\$1,434
CBL-MA2	7	9" x 8" x 22-1/2"	\$1,733
CBL-BAN1	7	9" x 8" x 22-1/2"	\$1,369
CBL-BAW1	7	9" x 8" x 22-1/2"	\$1,369

Code	Page #	Size	Karman List \$
CBL-MA1	7	9" x 8" x 22-1/2"	\$1,668
CBL-MAT2	7	4-1/2" x 8" x 22-1/2"	\$1,101
CBL-MAT1	7	4-1/2" x 8" x 22-1/2"	\$1,066
CBL-BAT2	7	4-1/2" x 8" x 22-1/2"	\$919
CBL-BAT1	7	4-1/2" x 8" x 22-1/2"	\$888
CBL-MAT3	7	4-1/2" x 8" x 12-1/4"	\$693
CBL-BAT3	7	4-1/2" x 8" x 12-1/4"	\$585
CBL-MA3	7	9" x 8" x 12-1/4"	\$1,079
CBL-BAW3	7	9" x 8" x 12-1/4"	\$897
CBL-BAN3	7	9" x 8" x 12-1/4"	\$897
CBL-CRMA	7	8" x 8" x 12-1/4"	\$1,530
CBL-CRBA	7	8" x 8" x 12-1/4"	\$1,391
CBL-CRAR	7	8" x 8" x 12-1/4"	\$1,222
TRADITIONAL APPLIQUES			
APL-A32	8	32" x 6" x 7/8"	\$728
APL-A24	8	24" x 5-1/2" x 3/4"	\$607
APL-A20	8	20" x 4-1/2" x 3/4"	\$459
APL-A16	8	16" x 3-7/8" x 5/8"	\$412
APL-A11	8	11" x 4-3/8" x 3/4"	\$611
APL-A9	8	9" x 3-3/4" x 3/4"	\$459
APL-A7	8	7" x 3" x 5/8"	\$355
APL-AO32	8	32" x 7" x 7/8"	\$750
APL-AO24	8	24" x 6" x 3/4"	\$624
APL-AO20	8	20" x 4-7/8" x 3/4"	\$481
APL-OR32	8	32" x 8" x 3/4"	\$810
APL-OR14	8	14-1/8" x 5" x 3/4"	\$654
APL-SA32	8	32" x 6" x 7/8"	\$728
APL-SA24	8	24" x 5" x 3/4"	\$607
APL-SA20	8	20" x 4-1/2" x 3/4"	\$481
APL-OL32	8	32" x 5-1/2" x 1"	\$728
APL-OL24	8	24" x 5" x 7/8"	\$607
APL-OL20	8	20" x 4-1/2" x 3/4"	\$481
APL-O11	8	11" x 5-1/2" x 3/4"	\$594
APL-O9	8	9" x 4-1/2" x 3/4"	\$459
APL-O7	8	7" x 3-1/2" x 5/8"	\$377
APL-BEL40	8	40" x 7" x 1"	\$953
APL-BEL36	8	36" x 6" x 7/8"	\$810
APL-G32	8	32" x 6" x 7/8"	\$750
APL-G24	8	24" x 5" x 3/4"	\$646
APL-G20	8	20" x 4-1/2" x 3/4"	\$481
APL-G11	8	11" x 5" x 3/4"	\$611
APL-G9	8	9" x 4-1/2" x 3/4"	\$520
APL-G7	8	7" x 3-1/2" x 5/8"	\$399

Code	Page #	Size	Karman List \$
APL-ACP4	8	11" x 6" x 3/4"	\$741
APL-AR14	8	14" x 3-1/4" x 5/8"	\$412
COR-AP2	8	8-1/4" x 24-7/8" x 3/4"	\$962
COR-OP2	8	24-7/8" x 8-1/4" x 3/4"	\$962
COR-GP2	8	24-7/8" x 8-1/4" x 3/4"	\$962
APL-VAC16	8	6" x 15-3/4" x 3/4"	\$598
APL-VAC12	8	5" x 12-1/2" x 1/2"	\$446
APL-VAC10	8	3-1/2" x 10-1/2" x 1/2"	\$407
APL-VAC8	8	2-3/4" x 8" x 1/2"	\$355
APL-VA9	8	4-3/8" x 9" x 3/4"	\$399
APL-VA7	8	3-1/2" x 7" x 5/8"	\$312
APL-VA5	8	2-3/4" x 5" x 1/2"	\$256
APL-ACC4	8	9-1/2" x 11-3/4" x 3/4"	\$862
APL-DS3	8	6-1/8" x 4-3/4"	\$377
APL-CG4	9	12-1/2" x 5-1/2" x 5/8"	\$719
APL-CA4	9	12-1/2" x 5-1/2" x 5/8"	\$698
APL-CO4	9	12-1/2" x 5-1/2" x 5/8"	\$719
APL-D2	9	1-7/8" x 1-7/8" x 5/8"	\$134
APL-D8	9	8" x 7/8" x 5/8"	\$165
APL-D10	9	10" x 7/8" x 5/8"	\$178
APL-D12	9	12" x 7/8" x 5/8"	\$182
APL-D16	9	16" x 7/8" x 5/8"	\$199
APL-DM20	9	32" x 7/8" x 5/8"	\$230
APL-DM24	9	24" x 7/8" x 5/8"	\$247
APL-DM28	9	28" x 7/8" x 5/8"	\$256
APL-DM32	9	32" x 7/8" x 5/8"	\$282
APL-BA24	9	24" x 3-1/4" x 1/2"	\$581
APL-BA38	9	38" x 4-1/2" x 7/8"	\$685
APL-BO26	9	26-1/2" x 3-1/4" x 1/2"	\$624
APL-BO40	9	40" x 5" x 7/8"	\$750
APL-DRS1	9	15" x 14-3/4" X 1"	\$1,590
APL-DRS2	9	14-3/4" x 7" x 1"	\$750
APL-DRS3	9	13" (diameter) x 7/8"	\$1,590
APL-DRS4	9	15" x 11-1/2" x 1"	\$1,508
ROS-A1	9	4" (diameter) x 5/8"	\$273
ROS-A2	9	6" (diameter) x 3/4"	\$347
ROS-A3	9	8" (diameter) x 1"	\$425
ROS-G1	9	4" (diameter) x 5/8"	\$299
ROS-G2	9	6" (diameter) x 3/4"	\$364
ROS-G3	9	8" (diameter) x 1"	\$446
ROS-O1	9	4" (diameter) x 5/8"	\$299
ROS-O2	9	6" (diameter) x 3/4"	\$347
ROS-O3	9	8" (diameter) x 1"	\$425

Code	Page #	Size	Karman List \$
ROS-AS2	9	4" x 4" x 5/8"	\$273
ROS-AS3	9	6" x 6" x 3/4"	\$347
ROS-AS4	9	8" x 8" x 3/4"	\$407
ROS-OR4	9	13-1/2" x 13-1/2" x 1-1/16"	\$1,179
ROS-D	9	2-7/8" x 2-7/8" x 1/2"	\$234
MODERN CLASSIC APPLIQUES			
APL-PL1	10	5-3/8" x 5-3/8" x 1"	\$334
APL-PL2	10	5-3/8" x 5-3/8" x 1"	\$334
APL-LF1	10	4-1/4" x 4-1/4" x 3/4"	\$290
APL-LF2	10	5-3/8" x 5-3/8" x 1"	\$321
APL-PS1	10	4-1/4" x 4-1/4" x 3/4"	\$273
APL-PS2	10	5-3/8" x 5-3/8" x 1"	\$299
APL-ADR1	10	4-1/4" x 4-1/4" x 3/4"	\$273
APL-ADR2	10	5-1/2" x 5-1/2" x 1"	\$299
APL-DO1	10	3" x 5-3/8" x 1/2"	\$217
APL-DO2	10	3" x 5-3/8" x 1/2"	\$217
APL-RE1	10	2-1/2" x 5-3/8" x 1/2"	\$234
APL-RE2	10	2-1/2" x 5-3/8" x 1/2"	\$234
APL-MI1	10	3" x 5-3/8" x 1/2"	\$234
APL-MI2	10	3" x 5-3/8" x 1/2"	\$234
APL-FA1	10	3-1/4" x 5-3/4" x 1/2"	\$217
APL-FA2	10	3-1/4" x 5-3/4" x 1/2"	\$217
APL-SO1	10	5-1/2" x 5-3/8" x 1/2"	\$234
APL-SO2	10	5-1/2" x 5-3/8" x 1/2"	\$234
APL-LA1	10	4-3/8" x 4-7/8" x 1/2"	\$234
APL-LA2	10	4-3/8" x 4-7/8" x 1/2"	\$234
APL-TE1	10	5-1/4" x 7-1/4" x 1/2"	\$273
APL-TE2	10	5-1/4" x 7-1/4" x 1/2"	\$273
APL-DO3	11	12" x 6-3/4" x 1/2"	\$334
APL-DO4	11	12" x 6-3/4" x 1/2"	\$334
APL-RE3	11	12" x 5-5/8" x 1/2"	\$373
APL-RE4	11	12" x 5-5/8" x 1/2"	\$373
APL-MI3	11	12" x 6-3/4" x 1/2"	\$373
APL-MI4	11	12" x 6-3/4" x 1/2"	\$373
ROS-EGR1	11	4-1/4" Diameter x 3/4"	\$251
ROS-EGR2	11	5-3/8" Diameter x 1"	\$282
ROS-EPR1	11	4-1/4" Diameter x 3/4"	\$273
ROS-EPR2	11	5-1/4" Diameter x 1"	\$299
ROS-ESR1	11	4-1/4" Diameter x 3/4"	\$273
ROS-ESR2	11	5-1/4" Diameter x 1"	\$299
ROS-SN1	11	4-1/4" Diameter x 3/4"	\$290
ROS-SN2	11	5-3/8" Diameter x 1"	\$321
ROS-ES	11	2-1/4" x 4-1/4" x 3/4"	\$238

Code	Page #	Size	Karman List \$
ROS-EG	11	2-1/4" x 4-1/4" x 3/4"	\$238
TRADITIONAL MOLDINGS			
MLD-GF48	12	48" x 3-1/2" x 3/4"	\$1,079
MLD-G48	12	48" x 3" x 3/4"	\$793
MLD-O48	12	48" x 3" x 3/4"	\$832
MLD-AC48	12	48" x 3" x 3/4"	\$750
MLD-LK2	12	96" x 1-5/8" x 3/4"	\$524
MLD-LK1	12	96" x 1-3/8" x 3/4"	\$490
MLD-R2	12	96" x 1-5/8" x 3/4"	\$546
MLD-R1	12	96" x 1-3/8" x 3/4"	\$503
MLD-F2	12	96" x 2" x 3/4"	\$628
MLD-F1	12	96" x 1-1/2" x 3/4"	\$594
MLD-FL6	12	96" x 6" x 3/4"	\$958
MLD-FL5	12	96" x 5" x 3/4"	\$897
MLD-FL4	12	96" x 4" x 3/4"	\$771
MLD-FL3	12	96" x 3" x 3/4"	\$607
MLD-FL2	12	96" x 2" x 3/4"	\$546
MODERN CLASSIC MOLDINGS			
MLD-NC1	13	48" x 1-1/4" x 5/8"	\$191
MLD-NC2	13	48" x 1-1/4" x 3/4"	\$191
MLD-NC3	13	48" x 1-1/4" x 1-1/16"	\$212
MLD-NC4	13	48" x 2-1/4" x 2"	\$243
MLD-NC5	13	48" x 4-7/8" x 2"	\$325
MLD-NC6	13	48" x 1-7/8" x 4-1/4"	\$325
MLD-NC7	13	48" x 1-3/4" x 6-3/4"	\$386
MLD-NC8	13	48" x 2-3/16" x 8-3/4"	\$728
MLD-NC9	13	48" x 3" x 8-3/4"	\$836
MLD-NC10	13	48" x 1-5/16" x 8-3/4"	\$589
MLD-NC11	13	48" x 2" x 8-3/4"	\$706
MLD-EC	13	48" x 1-1/4" x 3-1/2"	\$793
MLD-GK1	13	48" x 1-1/8" x 4-1/2"	\$793
MLD-GK2	13	48" x 1" x 6"	\$667
MLD-DT	13	50" x 1-1/4" x 7"	\$741
MLD-DTB	13	50" x 1-1/4" x 3"	\$771
MLD-AD1	13	48" x 1-3/8" x 4-1/2"	\$1,283
MLD-AD2	13	48" x 1-1/4" x 6"	\$1,638
MLD-AD3	13	48" x 1-1/2" x 3-1/2"	\$1,131
MLD-AD4	13	48" x 2" x 5-3/8"	\$1,339
MLD-AD5	13	48" x 1-1/4" x 3-5/8"	\$1,131
MLD-AD6	13	48" x 1-1/4" x 1-7/8"	\$663
MLD-AV1	14	50" x 4-1/2" x 2-5/8"	\$1,543
MLD-AV2	14	50" x 4-1/2" x 2-1/2"	\$1,218
MLD-AV3	14	3-3/4" x 3-3/4" x 2-5/8"	\$321

Code	Page #	Size	Karman List \$
MLD-AV4	14	3-3/4" x 3-1/2" x 2-1/2"	\$321
MLD-BAV1	14	50" x 4-1/2" x 2-3/4"	\$1,239
MLD-BAV2	14	5-1/4" x 3-1/2" x 2-3/4"	\$321
MLD-AVD	14	50" x 1-1/4" x 1-1/2"	\$325
MLD-RD	14	48" x 1-1/2" x 5-1/2"	\$741
MLD-SH	14	48" x 1" x 4-1/2"	\$945
MLD-EW	14	48" x 2-1/4" x 5-1/2"	\$945
MLD-ED	14	48" x 2" x 5"	\$966
MLD-DED	14	48" x 2-1/2" x 5-1/2"	\$1,135
MLD-W	14	48" x 1-1/4" x 6"	\$1,785
NEW ART MOLDINGS			
MLD-AR	14	95-5/8" x 7-1/8" x 2-1/2"	\$2,791
MLD-B-SCOTIA	14	96" x 6-3/8" x 2"	\$1,083
MLD-B-TORUS	14	96" x 6-3/8" x 2"	\$1,083
MULTIPLICITY MOLDINGS			
MLD-CS	15	7-1/16" x 1-1/8" x 96"	\$1,404
MLD-CSC	15	7-1/16" x 1-1/8" x 96"	\$1,872
MLD-CC	15	6-3/4" x 1-7/8" x 96"	\$936
MLD-B	15	8" x 1" x 96"	\$598
MLD-LV	15	2" x 1-3/4" x 96"	\$459
MLD-C	15	4-1/2" x 1-3/8" x 96"	\$620
MLD-CR	15	3-1/2" x 1-1/16" x 96"	\$581
INL-QR	15	5/8" x 3/8" x 96"	\$264
INL-QRM	15	5/8" x 3/8" x 96"	\$529
INL-R	15	5/8" x 1/4" x 96"	\$264
INL-RM	15	5/8" x 1/4" x 96"	\$529
INL-C	15		\$147
INL-CM	15		\$260
TRADITIONAL ISLAND POSTS			
ISL-MAC3	16	6" x 35" x 4"	\$1,842
ISL-LAC3	16	8" x 36-1/2" x 7-1/2"	\$4,086
ISL-AN35	16	8" x 35-1/2" x 17-3/4"	\$2,565
BAS-AC5L	16	8" x 35" x 2"	\$1,265
BAS-AC5R	16	8" x 35" x 2"	\$1,265
ISL-FRA2	16	7-3/4" x 36" x 6"	\$1,673
ISL-FRA2L	16	7-3/4" x 42" x 6"	\$1,842
ISL-FR2	16	7-3/4" x 36" x 6"	\$1,634
ISL-FR2L	16	7-3/4" x 42" x 6"	\$1,803
ISL-SH2	16	7-1/2" x 36" x 7-1/2"	\$1,759
ISL-SH2L	16	7-1/2" x 42" x 7-1/2"	\$1,924
ISL-TR2	16	7-3/4" x 36" x 6"	\$1,634
ISL-TR2L	16	7-3/4" x 42" x 6"	\$1,803
MODERN CLASSIC ISLAND POSTS			

Code	Page #	Size	Karman List \$
ISL-CRL	17	10-1/4" x 10" x 35"	\$2,678
ISL-CRS	17	7-3/8" x 10" x 35"	\$2,284
ISL-CREL	17	10-3/8" x 6-7/8" x 35"	\$2,743
ISL-CRES	17	7-3/8" x 6-7/8" x 35"	\$2,236
ISL-FL	17	10-3/8" x 6-7/8" x 35"	\$2,128
ISL-FS	17	7-3/8" x 6-7/8" x 35"	\$1,746
ISL-NCCL	17	12" x 11-3/4" x 35"	\$4,762
ISL-NCCS	17	9-1/2" x 11-3/4" x 35"	\$4,034
ISL-NCPL	17	12" x 11-3/4" x 35"	\$5,326
ISL-NCPS	17	9-1/2" x 11-3/4" x 35"	\$4,351
ISL-NCP4	17	13" x 11-3/4" x 35"	\$4,277
ISL-VSV2	17	10" x 9" x 35"	\$3,510
ISL-GRI1	17	13-1/2" x 6-3/4" x 35"	\$2,518
ISL-GRI2	17	13-1/2" x 6-3/4" x 35"	\$2,596
ISL-GRI3	18	13-1/2" x 6-3/4" x 35"	\$3,267
ISL-GK1	18	15-3/4" x 7-7/8" x 35"	\$2,912
ISL-NCE	18	12-3/4" x 6-3/4" x 35"	\$3,007
ISL-GR	18	10-1/4" x 6-1/2" x 35"	\$2,596
ISL-DLP	18	9-1/2" x 8-1/8" x 35"	\$3,510
ISL-EGF2	18	9-1/2" x 8-1/2" x 35"	\$4,164
ISL-AVG	18	9-1/2" x 9" x 35"	\$2,877
ISL-NCS2	18	9-1/2" x 8-1/4" x 35"	\$2,578
NEW ART ISLAND POSTS			
ISL-BAW2	18	9" x 8" x 35-1/2"	\$2,258
ISL-MA2	18	9" x 8" x 35-1/2"	\$2,713
ISL-BAN2	18	9" x 8" x 35-1/2"	\$2,240
ISL-BAW1	18	9" x 8" x 35-1/2"	\$2,158
ISL-MA1	18	9" x 8" x 35-1/2"	\$2,635
ISL-BAN1	19	9" x 8" x 35-1/2"	\$2,158
ISL-MAT2	19	4-1/2" x 8" x 35-1/2"	\$1,720
ISL-MAT1	19	4-1/2" x 8" x 35-1/2"	\$1,668
ISL-BAT2	19	4-1/2" x 8" x 35-1/2"	\$1,426
ISL-BAT1	19	4-1/2" x 8" x 35-1/2"	\$1,382
TRADITIONAL MANTLES			
MTL-G1	20	60" x 5-7/8" x 3-1/2"	\$2,808
MTL-G0	20	44" x 5-7/8" x 3-1/2"	\$2,253
MTL-O1	20	60" x 5-7/8" x 3-1/2"	\$2,808
MTL-O0	20	44" x 5-7/8" x 3-1/2"	\$2,253
MTL-A1	20	60" x 5-7/8" x 3-5/8"	\$2,808
MTL-A0	20	44" x 5-7/8" x 3-1/2"	\$2,253
MTL-P1	20	60" x 5-7/8" x 3-5/8"	\$2,500
MTL-P0	20	44" x 5-7/8" x 3-1/2"	\$1,946
MTL-LF3	20	56" x 7-7/8" x 1-3/4"	\$3,120

Code	Page #	Size	Karman List \$
MTL-FOL3	20	52-3/4" x 8" x 1-3/4"	\$2,275
MTL-FOL2	20	40" x 8" x 1-3/4"	\$1,842
MTL-FAL3	20	52-3/4" x 8" x 1-3/4"	\$2,275
MTL-FAL2	20	40" x 8" x 1-3/4"	\$1,842
MTL-FP3	20	52-3/4" x 8" x 1-3/4"	\$1,556
MTL-FP2	20	40" x 8" x 1-3/4"	\$1,265
MTL-FGR2	20	52-3/4" x 8" x 1-3/4"	\$2,275
MTL-FGR1	20	40" x 8" x 1-3/4"	\$1,842
MTL-BEL54	20	54" x 10" x 1-3/8"	\$1,885
MTL-BEL48	20	48" x 9" x 1-3/8"	\$1,738
MTL-FAC2	21	48" x 5-7/8" x 1-7/8"	\$1,348
MTL-EXT1	21	48" x 5-7/8" x 1-1/2"	\$624
MTL-FLT2	21	49" x 6" x 3-1/4"	\$1,907
MTL-S2	21	49" x 6" x 3-1/4"	\$1,820
EXT-S2	21	49" x 6" x 1-3/4"	\$650
EXT-FLT2	21	49" x 6" x 1-3/4"	\$815
TRADITIONAL CORNER POSTS			
CRN-OR28	22	2-3/4" x 2-3/4" x 28-1/2"	\$685
CRN-OR34	22	2-3/4" x 2-3/4" x 34-1/2"	\$793
CRN-OR84	22	2-3/4" x 2-3/4" x 84"	\$1,452
CRN-OR90	22	2-3/4" x 2-3/4" x 90"	\$1,534
CRN-OR96	22	2-3/4" x 2-3/4" x 96"	\$1,681
CRN-OR27	22	2-3/4" x 2-3/4" x 27"	\$685
CRN-OR28-5/16	22	2-3/4" x 2-3/4" x 28-5/16"	\$698
CRN-OR29-1/8	22	2-3/4" x 2-3/4" x 29-1/8"	\$706
CRN-OR30	22	2-3/4" x 2-3/4" x 30"	\$706
CRN-OR36	22	2-3/4" x 2-3/4" x 36"	\$793
CRN-OR42-1/8	22	2-3/4" x 2-3/4" x 42-1/8"	\$893
CRN-AC28	22	2-3/4" x 2-3/4" x 28-1/2"	\$685
CRN-AC34	22	2-3/4" x 2-3/4" x 34-1/2"	\$793
CRN-AC84	22	2-3/4" x 2-3/4" x 84"	\$1,452
CRN-AC90	22	2-3/4" x 2-3/4" x 90"	\$1,534
CRN-AC96	22	2-3/4" x 2-3/4" x 96"	\$1,681
CRN-AC27	22	2-3/4" x 2-3/4" x 27"	\$685
CRN-AC28-5/16	22	2-3/4" x 2-3/4" x 28-5/16"	\$698
CRN-AC29-1/8	22	2-3/4" x 2-3/4" x 29-1/8"	\$706
CRN-AC30	22	2-3/4" x 2-3/4" x 30"	\$706
CRN-AC36	22	2-3/4" x 2-3/4" x 36"	\$793
CRN-AC42-1/8	22	2-3/4" x 2-3/4" x 42-1/8"	\$893
CRN-ACR28	22	2-3/4" x 2-3/4" x 28-1/2"	\$685
CRN-ACR34	22	2-3/4" x 2-3/4" x 34-1/2"	\$793
CRN-ACR84	22	2-3/4" x 2-3/4" x 84"	\$1,452
CRN-ACR90	22	2-3/4" x 2-3/4" x 90"	\$1,534

Code	Page #	Size	Karman List \$
CRN-ACR96	22	2-3/4" x 2-3/4" x 96"	\$1,681
CRN-ACR27	22	2-3/4" x 2-3/4" x 27"	\$685
CRN-ACR28-5/16	22	2-3/4" x 2-3/4" x 28-5/16"	\$698
CRN-ACR29-1/8	22	2-3/4" x 2-3/4" x 29-1/8"	\$706
CRN-ACR30	22	2-3/4" x 2-3/4" x 30"	\$706
CRN-ACR36	22	2-3/4" x 2-3/4" x 36"	\$793
CRN-ACR42-1/8	22	2-3/4" x 2-3/4" x 42-1/8"	\$893
CRN-ACC28	22	2-3/4" x 2-3/4" x 28-1/2"	\$706
CRN-ACC34	22	2-3/4" x 2-3/4" x 34-1/2"	\$810
CRN-ACC84	22	2-3/4" x 2-3/4" x 84"	\$1,478
CRN-ACC90	22	2-3/4" x 2-3/4" x 90"	\$1,556
CRN-ACC96	22	2-3/4" x 2-3/4" x 96"	\$1,703
CRN-ACC27	22	2-3/4" x 2-3/4" x 27"	\$706
CRN-ACC28-5/16	22	2-3/4" x 2-3/4" x 28-5/16"	\$711
CRN-ACC29-1/8	22	2-3/4" x 2-3/4" x 29-1/8"	\$728
CRN-ACC30	22	2-3/4" x 2-3/4" x 30"	\$728
CRN-ACC36	22	2-3/4" x 2-3/4" x 36"	\$810
CRN-ACC42-1/8	22	2-3/4" x 2-3/4" x 42-1/8"	\$919
CRN-GR28	22	2-3/4" x 2-3/4" x 28-1/2"	\$685
CRN-GR34	22	2-3/4" x 2-3/4" x 34-1/2"	\$810
CRN-GR84	22	2-3/4" x 2-3/4" x 84"	\$1,495
CRN-GR90	22	2-3/4" x 2-3/4" x 90"	\$1,577
CRN-GR96	22	2-3/4" x 2-3/4" x 96"	\$1,720
CRN-GR27	22	2-3/4" x 2-3/4" x 27"	\$685
CRN-GR28-5/16	22	2-3/4" x 2-3/4" x 28-5/16"	\$698
CRN-GR29-1/8	22	2-3/4" x 2-3/4" x 29-1/8"	\$706
CRN-GR30	22	2-3/4" x 2-3/4" x 30"	\$706
CRN-GR36	22	2-3/4" x 2-3/4" x 36"	\$810
CRN-GR42-1/8	22	2-3/4" x 2-3/4" x 42-1/8"	\$893
CRN-TR28	22	2-3/4" x 2-3/4" x 28-1/2"	\$581
CRN-TR34	22	2-3/4" x 2-3/4" x 34-1/2"	\$728
CRN-TR84	22	2-3/4" x 2-3/4" x 84"	\$1,352
CRN-TR90	22	2-3/4" x 2-3/4" x 90"	\$1,434
CRN-TR96	22	2-3/4" x 2-3/4" x 96"	\$1,538
CRN-TR27	22	2-3/4" x 2-3/4" x 27"	\$563
CRN-TR28-5/16	22	2-3/4" x 2-3/4" x 28-5/16"	\$581
CRN-TR29-1/8	22	2-3/4" x 2-3/4" x 29-1/8"	\$607
CRN-TR30	22	2-3/4" x 2-3/4" x 30"	\$607
CRN-TR36	22	2-3/4" x 2-3/4" x 36"	\$728
CRN-TR42-1/8	22	2-3/4" x 2-3/4" x 42-1/8"	\$815
CRN-OF28-1/2	22	3" x 1-1/8" x 28-1/2"	\$438
CRN-OF34-1/2	22	3" x 1-1/8" x 34-1/2"	\$481
CRN-OF84	22	3" x 1-1/8" x 84"	\$919

Code	Page #	Size	Karman List \$
CRN-OF90	22	3" x 1-1/8" x 90"	\$958
CRN-OF96	22	3" x 1-1/8" x 96"	\$1,023
CRN-OF27	22	3" x 1-1/8" x 27"	\$420
CRN-OF28-5/16	22	3" x 1-1/8" x 28-5/16"	\$420
CRN-OF29-1/8	22	3" x 1-1/8" x 29-1/8"	\$438
CRN-OF30	22	3" x 1-1/8" x 30"	\$438
CRN-OF36	22	3" x 1-1/8" x 36"	\$503
CRN-OF42-1/8	22	3" x 1-1/8" x 42-1/8"	\$568
CRN-ACF28	22	3" x 1-1/8" x 28-1/2"	\$503
CRN-ACF34	22	3" x 1-1/8" x 34-1/2"	\$546
CRN-ACF84	22	3" x 1-1/8" x 84"	\$984
CRN-ACF90	22	3" x 1-1/8" x 90"	\$1,023
CRN-ACF96	22	3" x 1-1/8" x 96"	\$1,083
CRN-ACF27	22	3" x 1-1/8" x 27"	\$481
CRN-ACF28-5/16	22	3" x 1-1/8" x 28-5/16"	\$481
CRN-ACF29-1/8	22	3" x 1-1/8" x 29-1/8"	\$503
CRN-ACF30	22	3" x 1-1/8" x 30"	\$503
CRN-ACF36	22	3" x 1-1/8" x 36"	\$563
CRN-ACF42-1/8	22	3" x 1-1/8" x 42-1/8"	\$628
CRN-TRF28	22	3" x 1-1/8" x 28-1/2"	\$420
CRN-TRF34	22	3" x 1-1/8" x 34-1/2"	\$459
CRN-TRF84	22	3" x 1-1/8" x 84"	\$901
CRN-TRF90	22	3" x 1-1/8" x 90"	\$940
CRN-TRF96	22	3" x 1-1/8" x 96"	\$1,005
CRN-TRF27	22	3" x 1-1/8" x 27"	\$399
CRN-TRF28-5/16	22	3" x 1-1/8" x 28-5/16"	\$399
CRN-TRF29-1/8	22	3" x 1-1/8" x 29-1/8"	\$420
CRN-TRF30	22	3" x 1-1/8" x 30"	\$420
CRN-TRF36	22	3" x 1-1/8" x 36"	\$481
CRN-TRF42-1/8	22	3" x 1-1/8" x 42-1/8"	\$546
CRN-SOR28-1/2	23	1-3/4" x 1-3/4" x 28-1/2"	\$581
CRN-SOR34	23	1-3/4" x 1-3/4" x 34-1/2"	\$646
CRN-SOR84	23	1-3/4" x 1-3/4" x 84"	\$1,205
CRN-SOR90	23	1-3/4" x 1-3/4" x 90"	\$1,270
CRN-SOR96	23	1-3/4" x 1-3/4" x 96"	\$1,352
CRN-SOR27	23	1-3/4" x 1-3/4" x 27"	\$563
CRN-SOR28-5/16	23	1-3/4" x 1-3/4" x 28-5/16"	\$581
CRN-SOR29-1/8	23	1-3/4" x 1-3/4" x 29-1/8"	\$589
CRN-SOR30	23	1-3/4" x 1-3/4" x 30"	\$589
CRN-SOR36	23	1-3/4" x 1-3/4" x 36"	\$646
CRN-SOR42-1/8	23	1-3/4" x 1-3/4" x 42-1/8"	\$711
CRN-STR28-1/2	23	1-3/4" x 1-3/4" x 28-1/2"	\$581
CRN-STR34	23	1-3/4" x 1-3/4" x 34-1/2"	\$628

Code	Page #	Size	Karman List \$
CRN-STR84	23	1-3/4" x 1-3/4" x 84"	\$1,166
CRN-STR90	23	1-3/4" x 1-3/4" x 90"	\$1,231
CRN-STR96	23	1-3/4" x 1-3/4" x 96"	\$1,291
CRN-SRT27	23	1-3/4" x 1-3/4" x 27"	\$555
CRN-SRT28-5/16	23	1-3/4" x 1-3/4" x 28-5/16"	\$563
CRN-SRT29-1/8	23	1-3/4" x 1-3/4" x 29-1/8"	\$572
CRN-SRT30	23	1-3/4" x 1-3/4" x 30"	\$581
CRN-SRT36	23	1-3/4" x 1-3/4" x 36"	\$628
CRN-SRT42-1/8	23	1-3/4" x 1-3/4" x 42-1/8"	\$689
CRN-SAC28	23	1-3/4" x 1-3/4" x 28-1/2"	\$607
CRN-SAC34	23	1-3/4" x 1-3/4" x 34-1/2"	\$667
CRN-SAC84	23	1-3/4" x 1-3/4" x 84"	\$1,231
CRN-SAC90	23	1-3/4" x 1-3/4" x 90"	\$1,287
CRN-SAC96	23	1-3/4" x 1-3/4" x 96"	\$1,374
CRN-SAC27	23	1-3/4" x 1-3/4" x 27"	\$581
CRN-SAC28-5/16	23	1-3/4" x 1-3/4" x 28-5/16"	\$607
CRN-SAC29-1/8	23	1-3/4" x 1-3/4" x 29-1/8"	\$611
CRN-SAC30	23	1-3/4" x 1-3/4" x 30"	\$611
CRN-SAC36	23	1-3/4" x 1-3/4" x 36"	\$667
CRN-SAC42-1/8	23	1-3/4" x 1-3/4" x 42-1/8"	\$728
CRN-LT48	23	1-3/4" x 1-3/4" x 48"	\$524
CRN-LT96	23	1-3/4" x 1-3/4" x 96"	\$940
CRN-SS30	23	1-3/4" x 1-3/4" x 30"	\$256
CRN-SS48	23	1-3/4" x 1-3/4" x 48"	\$360
CRN-SS96	23	1-3/4" x 1-3/4" x 96"	\$633
CRN-SL30	23	2-3/4" x 2-3/4" x 30"	\$308
CRN-SL48	23	2-3/4" x 2-3/4" x 48"	\$485
CRN-SL96	23	2-3/4" x 2-3/4" x 96"	\$901
CRN-RA	23	2-3/4" x 2-3/4" x 34-1/2"	\$810
TRADITIONAL QUEEN ANNE LEGS			
Q-AC6	23	4" x 4" x 6"	\$407
Q-LEG2R	23	2-3/4" x 2-3/4" x 5-7/8"	\$399
Q-LEG2L	23	2-3/4" x 2-3/4" x 5-7/8"	\$399
Q-LEG4	23	2-3/4" x 2-3/4" x 4"	\$299
Q-LEG4-1/2	23	2-3/4" x 2-3/4" x 4-1/2"	\$299
Q-LEG5	23	2-3/4" x 2-3/4" x 5"	\$312
Q-LEG6	23	2-3/4" x 2-3/4" x 6"	\$321
Q-RA6	23	3-1/4" x 3-1/4" x 6"	\$334
Q-LEGV	23	2-5/16" x 2-5/16" x 6-11/16"	\$360
MODERN CLASSIC CORNER POSTS			
CRN-AV26	24	2-3/4" x 2-3/4" x 26-1/4"	\$953
CRN-AV32	24	2-3/4" x 2-3/4" x 32-1/4"	\$1,049
CRN-AV42	24	2-3/4" x 2-3/4" x 42"	\$1,222

Code	Page #	Size	Karman List \$
CRN-AV34	24	2-3/4" x 2-3/4" x 34-1/2"	\$1,088
CRN-AV40	24	2-3/4" x 2-3/4" x 40-1/2"	\$1,205
CRN-GK26	24	2-3/4" x 2-3/4" x 26-1/4"	\$633
CRN-GK32	24	2-3/4" x 2-3/4" x 32-1/4"	\$728
CRN-GK42	24	2-3/4" x 2-3/4" x 42"	\$906
CRN-GK34	24	2-3/4" x 2-3/4" x 34-1/2"	\$771
CRN-GK40	24	2-3/4" x 2-3/4" x 40-1/2"	\$888
CRN-AD26	24	2-3/4" x 2-3/4" x 26-1/4"	\$711
CRN-AD32	24	2-3/4" x 2-3/4" x 32-1/4"	\$802
CRN-AD42	24	2-3/4" x 2-3/4" x 42"	\$997
CRN-AD34	24	2-3/4" x 2-3/4" x 34-1/2"	\$845
CRN-AD40	24	2-3/4" x 2-3/4" x 40-1/2"	\$962
CRN-NCS26	24	2-3/4" x 2-3/4" x 26-1/4"	\$767
CRN-NCS32	24	2-3/4" x 2-3/4" x 32-1/4"	\$858
CRN-NCS42	24	2-3/4" x 2-3/4" x 42"	\$1,057
CRN-NCS34	24	2-3/4" x 2-3/4" x 34-1/2"	\$901
CRN-NCS40	24	2-3/4" x 2-3/4" x 40-1/2"	\$1,018
CRN-AB26	24	2-3/4" x 2-3/4" x 26-1/4"	\$858
CRN-AB32	24	2-3/4" x 2-3/4" x 32-1/4"	\$932
CRN-AB42	24	2-3/4" x 2-3/4" x 42"	\$1,148
CRN-AB34	24	2-3/4" x 2-3/4" x 34-1/2"	\$992
CRN-AB40	24	2-3/4" x 2-3/4" x 40-1/2"	\$1,114
BS-CRN-4S	24	3-7/8" x 3-7/8" x 8-3/4"	\$394
BS-CRN-2S	24	3-1/4" x 3-1/4" x 8-3/4"	\$394
NEW ART CORNER POSTS			
CRN-R226	25	2-3/4" x 2-3/4" x 26"	\$524
CRN-R228	25	2-3/4" x 2-3/4" x 28"	\$529
CRN-R232	25	2-3/4" x 2-3/4" x 32"	\$563
CRN-R235	25	2-3/4" x 2-3/4" x 35-1/2"	\$641
CRN-R242	25	2-3/4" x 2-3/4" x 42"	\$776
CRN-R284	25	2-3/4" x 2-3/4" x 84"	\$1,352
CRN-R290	25	2-3/4" x 2-3/4" x 90"	\$1,421
CRN-R296	25	2-3/4" x 2-3/4" x 96"	\$1,517
CRN-D226	25	2-3/4" x 2-3/4" x 26"	\$542
CRN-D228	25	2-3/4" x 2-3/4" x 28"	\$550
CRN-D232	25	2-3/4" x 2-3/4" x 32"	\$581
CRN-D235	25	2-3/4" x 2-3/4" x 35-1/2"	\$667
CRN-D242	25	2-3/4" x 2-3/4" x 42"	\$802
CRN-D284	25	2-3/4" x 2-3/4" x 84"	\$1,404
CRN-D290	25	2-3/4" x 2-3/4" x 90"	\$1,478
CRN-D296	25	2-3/4" x 2-3/4" x 96"	\$1,577
CRN-T226	25	2-3/4" x 2-3/4" x 26"	\$559
CRN-T228	25	2-3/4" x 2-3/4" x 28"	\$572

Code	Page #	Size	Karman List \$
CRN-T232	25	2-3/4" x 2-3/4" x 32"	\$607
CRN-T235	25	2-3/4" x 2-3/4" x 35-1/2"	\$693
CRN-T242	25	2-3/4" x 2-3/4" x 42"	\$836
CRN-T284	25	2-3/4" x 2-3/4" x 84"	\$1,456
CRN-T290	25	2-3/4" x 2-3/4" x 90"	\$1,534
CRN-T296	25	2-3/4" x 2-3/4" x 96"	\$1,638
CRN-B226	25	2-3/4" x 2-3/4" x 26"	\$524
CRN-B228	25	2-3/4" x 2-3/4" x 28"	\$529
CRN-B232	25	2-3/4" x 2-3/4" x 32"	\$563
CRN-B235	25	2-3/4" x 2-3/4" x 35-1/2"	\$641
CRN-B242	25	2-3/4" x 2-3/4" x 42"	\$776
CRN-B284	25	2-3/4" x 2-3/4" x 84"	\$1,352
CRN-B290	25	2-3/4" x 2-3/4" x 90"	\$1,421
CRN-B296	25	2-3/4" x 2-3/4" x 96"	\$1,517
CRN-M226	25	2-3/4" x 2-3/4" x 26"	\$503
CRN-M228	25	2-3/4" x 2-3/4" x 28"	\$507
CRN-M232	25	2-3/4" x 2-3/4" x 32"	\$542
CRN-M235	25	2-3/4" x 2-3/4" x 35-1/2"	\$628
CRN-M242	25	2-3/4" x 2-3/4" x 42"	\$745
CRN-M284	25	2-3/4" x 2-3/4" x 84"	\$1,287
CRN-M290	25	2-3/4" x 2-3/4" x 90"	\$1,361
CRN-M296	25	2-3/4" x 2-3/4" x 96"	\$1,456
CRN-MA226	25	2-3/4" x 2-3/4" x 26"	\$524
CRN-MA228	25	2-3/4" x 2-3/4" x 28"	\$529
CRN-MA232	25	2-3/4" x 2-3/4" x 32"	\$563
CRN-MA235	25	2-3/4" x 2-3/4" x 35-1/2"	\$641
CRN-MA242	25	2-3/4" x 2-3/4" x 42"	\$776
CRN-MA284	25	2-3/4" x 2-3/4" x 84"	\$1,352
CRN-MA290	25	2-3/4" x 2-3/4" x 90"	\$1,421
CRN-MA296	25	2-3/4" x 2-3/4" x 96"	\$1,517
CRN-R535	25	5" x 5" x 35-1/2"	\$1,326
CRN-R542	25	5" x 5" x 42"	\$1,634
CRN-D535	25	5" x 5" x 35-1/2"	\$1,382
CRN-D542	25	5" x 5" x 42"	\$1,707
CRN-T535	25	5" x 5" x 35-1/2"	\$1,491
CRN-T542	25	5" x 5" x 42"	\$1,824
CRN-B535	25	5" x 5" x 35-1/2"	\$1,369
CRN-B542	25	5" x 5" x 42"	\$1,677
CRN-MR535	26	5" x 5" x 35-1/2"	\$1,309
CRN-MR542	26	5" x 5" x 42"	\$1,603
CRN M535	26	5" x 5" x 35-1/2"	\$1,309
CRN M542	26	5" x 5" x 42"	\$1,603
CRN-MAR535	26	5" x 5" x 35-1/2"	\$1,369

Code	Page #	Size	Karman List \$
CRN-MAR542	26	5" x 5" x 42"	\$1,677
NEW ART BASES			
COR-FTS2	26	8-7/8" x 8-7/8" x 6-3/8"	\$442
COR-FTS1	26	6-5/8" x 6-5/8" x 6-3/8"	\$377
COR-FTT2	26	8-1/2" x 8-1/2" x 6-3/8"	\$442
COR-FTT1	26	6-3/8" x 6-3/8" x 6-3/8"	\$377
COR-FTSR2	26	6-1/8" x 6-1/8" x 6-3/8"	\$442
COR-FTSR1	26	3-7/8" x 3-7/8" x 6-3/8"	\$377
COR-FTTR2	26	5-7/8" x 5-7/8" x 6-3/8"	\$442
COR-FTTR1	26	3-5/8" x 3-5/8" x 6-3/8"	\$377
TRADITIONAL POSTS/LEGS			
POST-F1	27	3-1/2" x 3-1/2" x 34-1/2"	\$646
POST-F2	27	4" x 4" x 34-1/2"	\$750
POST-F3	27	4-1/2" x 4-1/2" x 34-1/2"	\$832
POST-AC1	27	3-1/2" x 3-1/2" x 34-1/2"	\$893
POST-AC2	27	4" x 4" x 34-1/2"	\$1,161
POST-AC3	27	4-1/2" x 4-1/2" x 34-1/2"	\$1,408
POST-GR1	27	3-1/2" x 3-1/2" x 34-1/2"	\$893
POST-GR2	27	4" x 4" x 34-1/2"	\$1,161
POST-GR3	27	4-1/2" x 4-1/2" x 34-1/2"	\$1,408
POST-JF1	27	3-1/2" x 3-1/2" x 34-1/2"	\$646
POST-JF2	27	4" x 4" x 34-1/2"	\$750
POST-JF3	27	4-1/2" x 4-1/2" x 34-1/2"	\$832
POST-J1	27	3-1/2" x 3-1/2" x 34-1/2"	\$602
POST-J2	27	4" x 4" x 34-1/2"	\$706
POST-J3	27	4-1/2" x 4-1/2" x 34-1/2"	\$793
POST-RPL1	27	3-1/2" x 3-1/2" x 34-1/2"	\$685
POST-RPL2	27	4" x 4" x 34-1/2"	\$793
POST-RPL3	27	4-1/2" x 4-1/2" x 34-1/2"	\$871
POST-RPR1	27	3-1/2" x 3-1/2" x 34-1/2"	\$685
POST-RPR2	27	4" x 4" x 34-1/2"	\$793
POST-RPR3	27	4-1/2" x 4-1/2" x 34-1/2"	\$871
POST-R1	27	3-1/2" x 3-1/2" x 34-1/2"	\$685
POST-R2	27	4" x 4" x 34-1/2"	\$793
POST-R3	27	4-1/2" x 4-1/2" x 34-1/2"	\$871
POST-A1	27	3-1/2" x 3-1/2" x 34-1/2"	\$602
POST-A2	27	4" x 4" x 34-1/2"	\$706
POST-A3	27	4-1/2" x 4-1/2" x 34-1/2"	\$793
POST-B1	27	3-1/2" x 3-1/2" x 34-1/2"	\$602
POST-B2	27	4" x 4" x 34-1/2"	\$706
POST-B3	27	4-1/2" x 4-1/2" x 34-1/2"	\$793
POST-D1	27	3-1/2" x 3-1/2" x 34-1/2"	\$602
POST-D2	27	4" x 4" x 34-1/2"	\$706

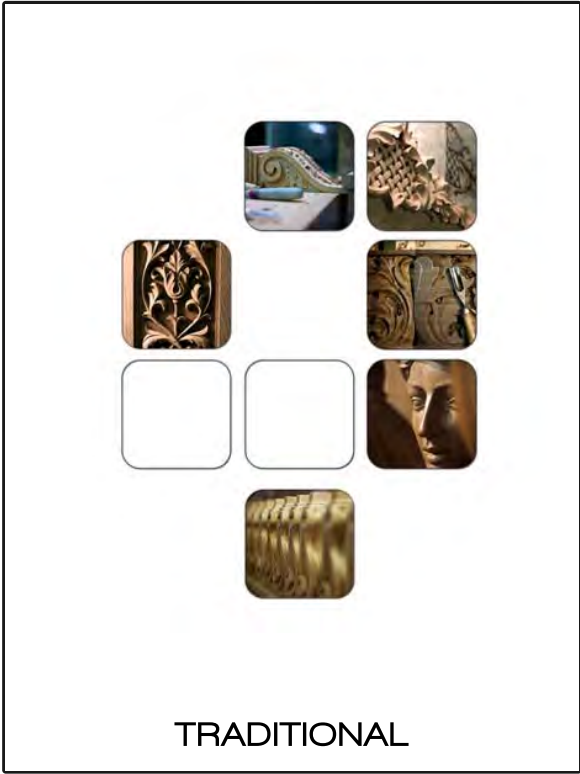
Code	Page #	Size	Karman List \$
POST-D3	27	4-1/2" x 4-1/2" x 34-1/2"	\$793
POST-K1	27	3-1/2" x 3-1/2" x 34-1/2"	\$849
POST-K2	27	4" x 4" x 34-1/2"	\$1,118
POST-K3	27	4-1/2" x 4-1/2" x 34-1/2"	\$1,287
POST-G1	27	3-1/2" x 3-1/2" x 34-1/2"	\$602
POST-G2	27	4" x 4" x 34-1/2"	\$706
POST-G3	27	4-1/2" x 4-1/2" x 34-1/2"	\$793
POST-E1	27	3-1/2" x 3-1/2" x 34-1/2"	\$602
POST-E2	27	4" x 4" x 34-1/2"	\$706
POST-E3	27	4-1/2" x 4-1/2" x 34-1/2"	\$793
POST-H1	28	3-1/2" x 3-1/2" x 34-1/2"	\$602
POST-H2	28	4" x 4" x 34-1/2"	\$706
POST-H3	28	4-1/2" x 4-1/2" x 34-1/2"	\$793
POST-I1	28	3-1/2" x 3-1/2" x 34-1/2"	\$602
POST-I2	28	4" x 4" x 34-1/2"	\$706
POST-I3	28	4-1/2" x 4-1/2" x 34-1/2"	\$793
POST-LF1	28	3-1/2" x 3-1/2" x 34-1/2"	\$646
POST-LF2	28	4" x 4" x 34-1/2"	\$750
POST-LF3	28	4-1/2" x 4-1/2" x 34-1/2"	\$832
POST-L1	28	3-1/2" x 3-1/2" x 34-1/2"	\$602
POST-L2	28	4" x 4" x 34-1/2"	\$706
POST-L3	28	4-1/2" x 4-1/2" x 34-1/2"	\$793
POST-M1	28	3-1/2" x 3-1/2" x 34-1/2"	\$771
POST-M2	28	4" x 4" x 34-1/2"	\$914
POST-M3	28	4-1/2" x 4-1/2" x 34-1/2"	\$997
POST-N1	28	3-1/2" x 3-1/2" x 34-1/2"	\$602
POST-N2	28	4" x 4" x 34-1/2"	\$706
POST-N3	28	4-1/2" x 4-1/2" x 34-1/2"	\$793
POST-O1	28	3-1/2" x 3-1/2" x 34-1/2"	\$771
POST-O2	28	4" x 4" x 34-1/2"	\$914
POST-O3	28	4-1/2" x 4-1/2" x 34-1/2"	\$997
LEG-B4	28	4-1/4" x 4-1/4" x 35-1/2"	\$1,304
LEG-B3	28	3-7/8" x 3-7/8" x 31-1/2"	\$1,140
LEG-A3	28	3" x 3-1/4" x 30-1/2"	\$728
LEG-A2	28	3" x 3-1/4" x 26"	\$685
LEG-A4	28	3-1/4" x 3-1/4" x 36"	\$1,040
LEG-A1	28	3-1/4" x 3-1/4" x 36"	\$667
POST-ACS5	29	5-3/8" x 5-3/8" x 35"	\$1,920
POST-SB5	29	5-3/8" x 5-3/8" x 35"	\$1,634
POST-SP5	29	5-3/8" x 5-3/8" x 35"	\$1,512
MODERN CLASSIC POSTS/LEGS			
POST-NCA1	29	5" x 5" x 34-1/2"	\$1,413
POST-NCA2	29	5" x 5" x 34-1/2"	\$1,413

Code	Page #	Size	Karman List \$
POST-NCB1	29	5" x 5" x 34-1/2"	\$1,356
POST-NCB2	29	5" x 5" x 34-1/2"	\$1,356
POST-NCC1	29	5" x 5" x 34-1/2"	\$923
POST-NCC2	29	5" x 5" x 34-1/2"	\$923
POST-NCD1	30	5" x 5" x 34-1/2"	\$923
POST-NCD2	30	5" x 5" x 34-1/2"	\$923
POST-NCE1	30	5" x 5" x 34-1/2"	\$1,391
POST-NCE2	30	5" x 5" x 34-1/2"	\$1,391
POST-NCF1	30	5" x 5" x 34-1/2"	\$1,296
POST-NCF2	30	5" x 5" x 34-1/2"	\$1,296
NEW ART POSTS/LEGS			
POST-IT324	30	3-1/2" x 3-1/2" x 35-1/2"	\$810
POST-IT318	30	3-1/2" x 3-1/2" x 35-1/2"	\$810
POST-IT312	30	3-1/2" x 3-1/2" x 35-1/2"	\$810
POST-IT38	30	3-1/2" x 3-1/2" x 35-1/2"	\$810
POST-IT522	31	5" x 5" x 35-1/2"	\$1,101
POST-IT518	31	5" x 5" x 35-1/2"	\$1,101
POST-IT512	31	5" x 5" x 35-1/2"	\$1,101
POST-IT58	31	5" x 5" x 35-1/2"	\$1,101
POST-IT720	31	7" x 7" x 35-1/2"	\$2,080
POST-IT718	31	7" x 7" x 35-1/2"	\$2,080
POST-IT712	31	7" x 7" x 35-1/2"	\$2,080
POST-IT79	31	7" x 7" x 35-1/2"	\$2,080
POST-ITCR3	32	3-1/2" x 3-1/2" x 35-1/2"	\$893
POST-ITCR5	32	5" x 5" x 35-1/2"	\$1,205
POST-ITCR7	32	7" x 7" x 35-1/2"	\$2,119
LEG-D5	32	5" x 5" x 35-1/2"	\$1,660
LEG-R5	32	5" x 5" x 35-1/2"	\$1,595
LEG-T5	32	5" x 5" x 35-1/2"	\$1,660
LEG-B5	32	5" x 5" x 35-1/2"	\$1,660
LEG-R7	32	7" x 7" x 35-1/2"	\$2,210
LEG-D7	32	7" x 7" x 35-1/2"	\$2,288
MULTIPLICITY POSTS/LEGS			
LEG-ORBW35	33	4-1/2" X 4-1/2" X 35-1/2"	\$906
LEG-ORBW29	33	4-1/2" X 4-1/2" X 29-1/2"	\$819
LEG-ORBW41	33	4-1/2" X 4-1/2" X 41-1/2"	\$1,079
LEG-ORBWM35	33	4-1/2" X 4-1/2" X 35-1/2"	\$1,222
LEG-ORBWM29	33	4-1/2" X 4-1/2" X 29-1/2"	\$1,135
LEG-ORBWM41	33	4-1/2" X 4-1/2" X 41-1/2"	\$1,395
LEG-ORBCC35	33	4-1/2" X 4-1/2" X 35-1/2"	\$1,504
LEG-ORBCC29	33	4-1/2" X 4-1/2" X 29-1/2"	\$1,417
LEG-ORBCC41	33	4-1/2" X 4-1/2" X 41-1/2"	\$1,677
LEG-ORBCF35	33	4-1/2" X 4-1/2" X 35-1/2"	\$1,504

Code	Page #	Size	Karman List \$
LEG-ORBCF29	33	4-1/2" X 4-1/2" X 29-1/2"	\$1,417
LEG-ORBCF41	33	4-1/2" X 4-1/2" X 41-1/2"	\$1,677
TRADITIONAL CAPITALS			
CPL-A1	34	5" x 5-1/4" x 1-1/2"	\$364
CPL-A2	34	6-1/4" x 6-1/4" x 1-7/8"	\$425
CPL-A3	34	9-1/2" x 10" x 4-7/8"	\$1,222
CPL-A4	34	9-1/4" x 5-7/8" x 3"	\$997
CPL-ED4	34	6-1/8" x 8-5/8" x 1-3/4"	\$468
MODERN CLASSIC CAPITALS			
CPL-GK	35	15-3/4" x 7-7/8" x 6-1/4"	\$1,283
CPL-GRI	35	13-1/2" x 6-3/4" x 6-1/2"	\$1,144
CPL-GR	35	10-1/4" x 6-1/2" x 6-1/2"	\$1,018
CPL-NCE	35	12-3/4" x 6-3/4" x 7-1/2"	\$1,244
CPL-NCM	35	8-3/4" x 5-1/8" x 7-1/2"	\$563
CPL-NCS	35	6-3/4" x 3-5/8" x 7-1/2"	\$524
SCPL-ADA 1	35	7-1/4" x 4" x 3-3/4"	\$620
SCPL-ADA 2	35	7-1/2" x 4" x 3-1/2"	\$641
SCPL-ADA 3	35	7-3/4" x 4" x 6"	\$750
SCPL-ADA 4	35	7-3/4" x 4" x 5-3/4"	\$602
SCPL-NCT	35	7-5/8" x 4" x 6-7/8"	\$602
SCPL-GK	35	8-1/4" x 4-1/4" x 7"	\$676
SCPL-ADD	35	7-1/4" x 4" x 1-7/8"	\$355
SCPL-AD	35	6-1/8" x 3-3/4" x 4-1/2"	\$563
PLS-FL1	36	6-1/8" x 3-1/4" x 42"	\$802
PLS-FL2	36	6-1/8" x 3-1/4" x 91"	\$1,677
PLS-PL1	36	6-1/8" x 3-1/4" x 42"	\$763
PLS-PL2	36	6-1/8" x 3-1/4" x 91"	\$1,603
PLS-CHL1	36	6-1/8" x 3-1/4" x 42"	\$1,174
PLS-CHL2	36	6-1/8" x 3-1/4" x 91"	\$2,054
PLS-STL1	36	6-1/8" x 3-1/4" x 42"	\$1,174
PLS-STL2	36	6-1/8" x 3-1/4" x 91"	\$2,054
PLS-FM1	36	4-1/2" x 3" x 42"	\$654
PLS-FM2	36	4-1/2" x 3" x 91"	\$1,309
PLS-PM1	36	4-1/2" x 3" x 42"	\$524
PLS-PM2	36	4-1/2" x 3" x 91"	\$1,027
PLS-CHM1	36	4-1/2" x 3" x 42"	\$1,205
PLS-CHM2	36	4-1/2" x 3" x 91"	\$2,440
PLS-STM1	36	4-1/2" x 3" x 42"	\$1,317
PLS-STM2	36	4-1/2" x 3" x 91"	\$2,717
PLS-FS1	36	2-1/2" x 1-5/8" x 42"	\$568
PLS-FS2	36	2-1/2" x 1-5/8" x 91"	\$1,144
PLS-PS1	36	2-1/2" x 1-5/8" x 42"	\$455
PLS-PS2	36	2-1/2" x 1-5/8" x 91"	\$901

Code	Page #	Size	Karman List \$
PLS-CHS1	36	2-1/2" x 1-5/8" x 42"	\$997
PLS-CHS2	36	2-1/2" x 1-5/8" x 91"	\$2,063
PLS-ST1	36	2-1/2" x 1-5/8" x 42"	\$1,109
PLS-ST2	36	2-1/2" x 1-5/8" x 91"	\$2,435
BS-NCT3	36	10" x 5" x 8-3/4"	\$537
BS-NCT2	36	7-5/8" x 4-1/2" x 8-3/4"	\$394
BS-NCT1	36	4-1/2" x 2-5/8" x 8-3/4"	\$334
TRADITIONAL VANITY BASES			
VAN-VM3	37	72" x 7-3/4" x 1-3/8"	\$1,577
VAN-V3	37	72" x 6" x 1-3/8"	\$1,473
VAN-EXT2	37	72" x 3" x 1-3/8"	\$290
VAN-BA	37	72" x 3-1/2" x 1-1/4"	\$1,083
VAN-EXT1	37	48" x 2-1/2" x 3/4"	\$290
VAN-BO	37	72" x 3-3/8" x 1-1/4"	\$1,122
VAN-K2	37	60" x 4-1/2" x 3/4"	\$459
VAN-K1	37	44" x 4-1/2" x 3/4"	\$381
VAN-KEXT	37	44" x 4-1/2" x 3/4"	\$299
VAN-WBA	37	60" x 6-1/2" x 1-3/8"	\$1,265
VAN-WBO	37	60" x 7" x 1-3/8"	\$1,309
TRADITIONAL BUNN FEET/SPOOLS			
BUN-F2	38	5-1/2" x 4-1/2"	\$321
BUN-F1	38	4-3/4" x 4"	\$264
BUN-R2	38	3-1/2" x 5"	\$308
BUN-R1	38	3-1/4" x 4"	\$282
BUN-A8	38	8" x 2-5/8"	\$195
BUN-A7	38	7" x 2-5/8"	\$191
BUN-A6	38	6" x 2-5/8"	\$191
BUN-A5	38	5" x 2-5/8"	\$178
BUN-A4-1/2	38	4-1/2" x 2-5/8"	\$173
BUN-A4	38	4" x 2-5/8"	\$160
SPL-2	38	2-3/4" x 3" x 1-3/8"	\$182
SPL-1	38	2-1/4" x 3" x 1-1/8"	\$173
SPL-0	38	1-3/4" x 2-1/2" x 7/8"	\$160
HRR2	38	2" x 1" x 96"	\$554
HRR1	38	1-1/2" x 3/4" x 96"	\$435
HRR0	38	1-1/4" x 5/8" x 96"	\$435
HBR2	38	2-1/2" x 7-1/2" x 1-1/4"	\$199
HBR1	38	2" x 7-1/2" x 1"	\$191
HBR0	38	1-3/4" x 7-1/2" x 7/8"	\$182
B-SPL2-8	38	3" x 8"	\$212
B-SPL1-8	38	2-1/2" x 8"	\$204
B-SPL0-8	38	2" x 7-1/2"	\$195
HR2	38	1" x 2" x 96"	\$554

Code	Page #	Size	Karman List \$
HR1	38	1-1/2" x 3/4" x 96"	\$435
HR0	38	1-1/4" x 5/8" x 96"	\$435
B-SPL2-12	38	3" x 12" x 1-1/2"	\$225
B-SPL1-12	38	2-1/2" x 12" x 1-1/4"	\$212
B-SPL0-12	38	2" x 11-1/2" x 1"	\$204
TRADITIONAL ROPE			
ROPE6	38	2" x 94" x 1"	\$438
ROPE4	38	1-1/2" x 94" x 3/4"	\$394
ROPE3	38	1-1/4" x 94" x 5/8"	\$368
ROPE1	38	3/4" x 94" x 3/8"	\$269



TRADITIONAL



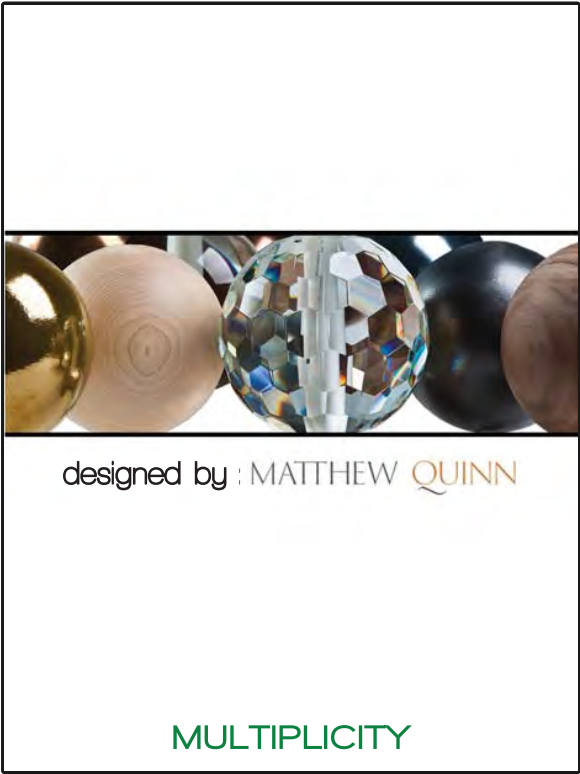
MODERN CLASSIC

ART FOR EVERYDAY™

Architectural Woodcarvings



NEW ART



designed by : MATTHEW QUINN

MULTIPLICITY

TRADITIONAL CORBELS

width X depth X height



CBL-PNC4
7-1/2" x 7-3/4" x 15-3/8"
CBL-PNC3
6-1/8" x 6-1/2" x 13-1/4"
CBL-PNC2
4-3/4" x 5" x 9-1/2"



CBL-PN5
14" x 7-3/4" x 15-3/8"
CBL-PN4
7-1/2" x 7-3/4" x 15-3/8"
CBL-PN3
6-1/8" x 6-1/2" x 13-1/4"
CBL-PN2
4-3/4" x 5" x 9-1/2"



CBL-BR3
6-1/4" x 7-1/2" x 18"
CBL-BR2
5-3/8" x 6-3/4" x 13-3/8"
CBL-BR1
3-5/8" x 4-1/2" x 9"



BRC5
6-1/2" x 12" x 10"
BRC4
4" x 9-1/8" x 14"
BRC3
3-1/2" x 8" x 12"
BRC2
2-3/4" x 6-1/2" x 10"



BRB4
5-1/2" x 11-3/8" x 16-3/8"
BRB3
5" x 10" x 14"
BRB2
4-1/4" x 8-1/4" x 11-3/4"



CBL-WBR3
7-1/8" x 6-3/4" x 13-1/8"
CBL-WBR2
5-1/2" x 5" x 9"



CBL-NBR2
4-3/8" x 7-1/2" x 14"
CBL-NBR1
3-1/2" x 5" x 8-1/2"



FB4
1-3/4" x 11" x 14-3/8"
FB3
1-3/4" x 9-1/2" x 12-1/2"
FB2
1-3/4" x 7-3/4" x 10"



CBL-RH4
6" x 12-1/2" x 12-1/2"
CBL-RH3
5" x 10" x 10"



CBL-RS4
6" x 12-1/2" x 12-1/2"
CBL-RS3
5" x 10" x 10"



CBL-TR6
8-1/2" x 6-1/2" x 21-1/2"
CBL-TR5
8-5/8" x 9-1/4" x 21-5/8"



CBL-TR4
5-3/4" x 6-1/2" x 14-1/2"
CBL-TR3
4-3/4" x 5-1/2" x 9-1/2"
CBL-TR2
5-1/8" x 4" x 12-1/2"
CBL-TR1
4" x 3" x 8-1/8"
CBL-TR0
2-1/2" x 2-1/4" x 4-3/8"



CBL-ML5
8" x 5-5/8" x 14"
CBL-ML4
6" x 4-3/4" x 12"
CBL-ML3
4" x 3-1/4" x 8"



CBLTRH2
4-1/2" x 5-3/4" x 10"



CBL-TB4
6-1/2" x 10" x 22"
CBL-TB3
5-1/2" x 8-1/4" x 16"
CBL-TB2
4-1/2" x 5-5/8" x 11-3/4"
CBL-TB1
3-3/8" x 5" x 8-5/8"

TRADITIONAL CORBELS

width X depth X height



CBL-WA4
7-5/8" x 7" x 15"
CBL-WA3
6-7/8" x 4-1/4" x 12-1/8"
CBL-WA2
5" x 3" x 8"



CBL-NH2
3-3/4" x 3-3/8" x 9"
CBL-NH1
2-5/8" x 2-1/2" x 5-1/4"



CBL-ACF3
5-1/2" x 5-1/2" x 20-3/4"



CBL-AC4
7-1/2" x 3-1/2" x 26-1/2"
CBL-AC3
7" x 3-1/4" x 21-1/2"
CBL-AC2
8" x 2-1/2" x 13-3/4"
CBL-AC1
4-1/2" x 1-7/8" x 10"



CBL-TRP4
7-1/2" x 3-1/2" x 26-1/2"
CBL-TRP3
7" x 3-1/4" x 21-1/2"
CBL-TRP2
6" x 2-1/2" x 13-3/4"
CBL-TRP1
4-1/2" x 1-7/8" x 10"



CBL-FF3
5-3/4" x 6-1/4" x 14"
CBL-FF2
5" x 5-1/4" x 11"
CBL-FF1
4" x 4" x 8"



CBL-FR3
6-1/8" x 5-1/2" x 15"
CBL-FR2
5-1/4" x 4" x 12-1/2"
CBL-FR1
4" x 3" x 8"



CBL-FRA3
6-1/8" x 5-1/2" x 15"
CBL-FRA2
5-1/4" x 4" x 12-1/2"
CBL-FRA1
4" x 3" x 8"



CBL-VN3
6-1/2" x 5-1/2" x 14"
CBL-VN2
5-1/4" x 4-1/2" x 12"
CBL-VN1
4-1/4" x 3-5/16" x 8"



CBL-CM3
5-3/4" x 6-1/2" x 14"
CBL-CM2
5-1/4" x 5" x 12"
CBL-CM1
3-3/4" x 3-3/8" x 8"



CBL-TCY2
6-1/2" x 5-1/4" x 12"
CBL-TCY1
5" x 4" x 9"



CBL-FLT2
5-1/8" x 4" x 12-5/8"
CBL-FLT1
4" x 3-1/4" x 7-7/8"



CBL-SH3
7" x 7-5/8" x 13-1/8"
CBL-SH2
5-1/2" x 5-1/2" x 10-1/2"
CBL-SH1
4-1/4" x 4-1/4" x 7"



CBL-FA2
4-1/2" x 6-1/4" x 11-3/8"
CBL-FA1
3-1/2" x 4-1/2" x 8"

TRADITIONAL CORBELS

width X depth X height



CBL-OL3
7-1/4" x 8-3/4" x 26-1/2"



CBL-GR3
7-1/4" x 8-3/4" x 26-1/2"



CBL-OB2
7" x 6" x 12"



CBL-GB2
7" x 6" x 12"

CBL-FH4
6" x 5-1/4" x 14-1/2"

CBL-FH3
5-1/4" x 3-3/4" x 12-1/2"

CBL-FH2
3-1/2" x 3" x 8"

CBL-OL2
5-5/8" x 6-7/8" x 14"

CBL-OL1
4-3/4" x 5" x 10"

CBL-GR2
5-1/2" x 7" x 14"

CBL-GR1
4-3/4" x 5" x 10"

CBL-OB1
4-1/2" x 4" x 7-1/2"

CBL-GB1
4-1/2" x 4" x 7-3/8"



CBL-NA3
6-3/4" x 9" x 21-1/8"

CBL-NA2
4-3/4" x 7-7/8" x 13-3/4"

CBL-NA1
3-1/2" x 5" x 9"



CBL-NOL3
2" x 6-3/4" x 22-1/8"

CBL-NOL2
2" x 5-1/2" x 16"

CBL-NOL1
1-3/4" x 4-1/2" x 12"



CBL-ANC24
6-1/2" x 7-1/2" x 24"

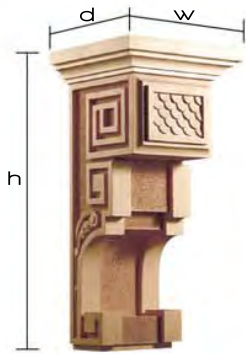


CBL-ANF24
6-1/2" x 7-1/2" x 24"



MODERN CLASSIC CORBELS

width X depth X height



CBL-EGF2
9-1/2' x 8-1/2' x 19-3/8'



CBL-EGF1
7-1/2' x 8' x 16-1/4'



CBL-DLP
9-1/2' x 8-1/8' x 19'



CBL-EWV
8-1/2' x 8-1/2' x 17-1/2'



CBL-AVG
9-1/2' x 9' x 17-3/4'



CBL-NCF
9-3/8' x 7-5/8' x 19-5/8'



CBL-NCS4
9-5/8' x 9-3/8' x 20'



CBL-NCS3
7-1/2' x 9-1/4' x 20'



CBL-NCS2
9-1/2' x 8-1/4' x 13-3/4'



CBL-NCS1
7-1/2' x 8-1/4' x 13-5/8'



CBL-NPT2
8-1/2' x 5-1/2' x 16-3/4'



CBL-NPT1
5-3/4' x 5-1/2' x 16-3/4'



CBL-NCC2
8-1/2' x 5-1/2' x 16-3/4'



CBL-NCC1
5-3/4' x 5-1/2' x 16-3/4'



CBL-GKV2
10-1/8' x 9-1/2' x 17-1/2'

CBL-GKV1
10-1/8' x 8-5/8' x 15-1/2'



CBL-NCP4
13' x 11-3/4' x 12'



CBL-NCP3
10-1/2' x 11-3/4' x 12'



CBL-NCP2
12' x 11-3/4' x 8-1/4'



CBL-NCP1
8-1/2' x 11-3/4' x 8-1/4'



CBL-VSV2
8-1/2' x 9' x 12'

CBL-VSV1
6-1/2' x 9' x 12'

MODERN CLASSIC CORBELS

width X depth X height



CBL-G2
8' x 5-3/4' x 20-1/8'



CBL-G1
5' x 5-3/4' x 20-1/8'



CBL-CRF2
8' x 5-3/4' x 20-1/8'



CBL-CRF1
5' x 5-3/4' x 20-1/8'



CBL-F2
8' x 5-3/4' x 20-1/8'



CBL-F1
5' x 5-3/4' x 20-1/8'



CBL-FAS2
10-3/8' x 6-7/8' x 8'



CBL-FAS1
7-3/8' x 6-7/8' x 8'



CBL-CR2
10-1/4' x 10' x 8'



CBL-CR1
7-3/8' x 10' x 8'



CBL-CREV2
10-3/8' x 6-7/8' x 8'



CBL-CREV1
7-3/8' x 6-7/8' x 8'



CBL-ECF2
6-1/8' x 4' x 7'



CBL-ECF1
4-1/4' x 4' x 5-7/8'



CBL-EW2
6-1/8' x 5-1/4' x 5-1/4'



CBL-EW1
4-1/8' x 5-1/4' x 5-1/4'



CBL-EP2
6-1/8' x 5-1/4' x 5-1/4'



CBL-EP1
4-1/8' x 5-1/4' x 5-1/4'



NEW ART CORBELS

width X depth X height



CBL-BAN2
9' x 8' x 22-1/2'



CBL-BAW2
9' x 8' x 22-1/2'



CBL-MA2
9' x 8' x 22-1/2'



CBL-BAN1
9' x 8' x 22-1/2'



CBL-BAW1
9' x 8' x 22-1/2'



CBL-MA1
9' x 8' x 22-1/2'



CBL-MAT2
4-1/2' x 8' x 22-1/2'



CBL-MAT1
4-1/2' x 8' x 22-1/2'



CBL-BAT2
4-1/2' x 8' x 22-1/2'



CBL-BAT1
4-1/2' x 8' x 22-1/2'



CBL-MAT3
4-1/2' x 8' x 12-1/4'



CBL-BAT3
4-1/2' x 8' x 12-1/4'



CBL-MA3
9' x 8' x 12-1/4'



CBL-BAW3
9' x 8' x 12-1/4'



CBL-BAN3
9' x 8' x 12-1/4'



CBL-CRMA
8' x 8' x 12-1/4'



CBL-CRBA
8' x 8' x 12-1/4'



CBL-CRAR
8' x 8' x 12-1/4'

TRADITIONAL APPLIQUES & ROSETTES

width X height X thickness



APL-A32 32" x 6" x 7/8"
 APL-A20 20" x 4-1/2" x 3/4"
 APL-A24 24" x 5-1/2" x 3/4"
 APL-A16 16" x 3-3/8" x 5/8"

Sold in pair.



APL-A11 11" x 4-3/8" x 3/4"
 APL-A9 9" x 3-3/4" x 3/4"
 APL-A7 7" x 3" x 5/8"



APL-AO32 32" x 7" x 7/8"
 APL-AO24 24" x 6" x 3/4"
 APL-AO20 20" x 4-7/8" x 3/4"



APL-OR32 32" x 8" x 3/4"

Sold in pair.



APL-OR14 14-1/8" x 5" x 3/4"



APL-SA32 32" x 6" x 7/8"
 APL-SA24 24" x 5" x 3/4"
 APL-SA20 20" x 4-1/2" x 3/4"



APL-OL32 32" x 5-1/2" x 1"
 APL-OL24 24" x 5" x 7/8"
 APL-OL20 20" x 4-1/2" x 3/4"

Sold in pair.



APL-O11 11" x 5-1/2" x 3/4"
 APL-O9 9" x 4-1/2" x 3/4"
 APL-O7 7" x 3-1/2" x 5/8"



APL-BEL40 40" x 7" x 1"
 APL-BEL36 36" x 6" x 7/8"



APL-G32 32" x 6" x 7/8"
 APL-G24 24" x 5" x 3/4"
 APL-G20 20" x 4-1/2" x 3/4"

Sold in pair.



APL-G11 11" x 5" x 3/4"
 APL-G9 9" x 4-1/2" x 3/4"
 APL-G7 7" x 3-1/2" x 5/8"

Sold in pair.



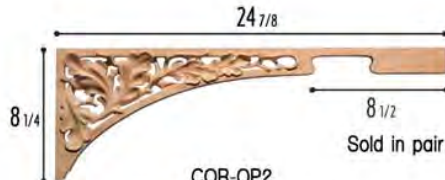
APL-ACP4 11" x 6" x 3/4"



APL-AR14 14" x 3-1/4" x 5/8"



COR-AP2 24-7/8" x 8-1/4" x 3/4"



COR-OP2 24-7/8" x 8-1/4" x 3/4"



COR-GP2 24-7/8" x 8-1/4" x 3/4"



APL-VAC16 6" x 15-3/4" x 3/4"
 APL-VAC12 5" x 12-1/2" x 1/2"
 APL-VAC10 3-1/2" x 10-1/2" x 1/2"
 APL-VAC8 2-3/4" x 8" x 1/2"



APL-VA9 4-3/8" x 9" x 3/4"
 APL-VA7 3-1/2" x 7" x 5/8"
 APL-VA5 2-3/4" x 5" x 1/2"



Sold in pair.
 APL-ACC4 11-3/4" x 9-1/2" x 3/4"



Sold in pair.
 APL-DS3 4 3/4"

TRADITIONAL APPLIQUES & ROSETTES

width X height X thickness



APL-CG4 Sold in pair.
12-1/2" x 5-1/2" x 5/8"



APL-CA4 Sold in pair.
12-1/2" x 5-1/2" x 5/8"



APL-CO4 Sold in pair.
12-1/2" x 5-1/2" x 5/8"



APL-DRS1
15" x 14-3/4" x 1"



APL-DRS2
14-3/4" x 7-1/4" x 1"



APL-DRS3
13" dia. x 7/8"



APL-DRS4
15" x 11-1/2" x 1"



ROS-A1 ROS-A2
4" dia. x 5/8" 6" dia. x 3/4"
ROS-A3
8" dia. x 1"



ROS-G1 ROS-G2
4" dia. x 5/8" 6" dia. x 3/4"
ROS-G3
8" dia. x 1"



ROS-O1 ROS-O2
4" dia. x 5/8" 6" dia. x 3/4"
ROS-O3
8" dia. x 1"



ROS-AS2 ROS-AS3
4" x 4" x 5/8" 6" x 6" x 3/4"
ROS-AS4
8" x 8" x 3/4"



ROS-OR4
13-1/2" x 13-1/2" x 1-1/16"



ROS-D
2-7/8" dia. x 1/2"



APL-D2
1-7/8" x 1-7/8" x 5/8"



APL-D8
8" x 7/8" x 5/8"
APL-D12
12" x 7/8" x 5/8"

APL-D10
10" x 7/8" x 5/8"
APL-D16
16" x 7/8" x 5/8"



APL-DM20
20" x 7/8" x 5/8"
APL-DM28
28" x 7/8" x 5/8"

APL-DM24
24" x 7/8" x 5/8"
APL-DM32
32" x 7/8" x 5/8"



APL-BA24
24" x 3-1/4" x 1/2"
APL-BA38
38" x 4-1/2" x 7/8"



APL-BO26
26-1/2" x 3-1/4" x 1/2"
APL-BO40
40" x 5" x 7/8"

MODERN CLASSIC APPLIQUES & ROSETTES

width × height × thickness



• AVAILABLE LEFT AND RIGHT.

APL-PL1
5-3/8" × 5-3/8" × 1"



APL-PL2
5-3/8" × 5-3/8" × 1"



APL-LF1
4-1/4" × 4-1/4" × 3/4"

APL-LF2
5-3/8" × 5-3/8" × 1"



APL-PS1
4-1/4" × 4-1/4" × 3/4"

APL-PS2
5-3/8" × 5-3/8" × 1"



APL-ADR1
4-1/4" × 4-1/4" × 3/4"

APL-ADR2
5-1/2" × 5-1/2" × 1"



APL-DO1
3" × 5-3/8" × 1/2"



APL-DO2
3" × 5-3/8" × 1/2"



APL-RE1
2-1/2" × 5-3/8" × 1/2"



APL-RE2
2-1/2" × 5-3/8" × 1/2"



APL-MI1
3" × 5-3/8" × 1/2"



APL-MI2
3" × 5-3/8" × 1/2"



APL-FA1
3-1/4" × 5-3/4" × 1/2"



APL-FA2
3-1/4" × 5-3/4" × 1/2"



APL-SO1
5-1/2" × 5-3/8" × 1/2"



APL-SO2
5-1/2" × 5-3/8" × 1/2"



APL-LA1
4-3/8" × 4-7/8" × 1/2"



APL-LA2
4-3/8" × 4-7/8" × 1/2"



APL-TE1
5-1/4" × 7-1/4" × 1/2"



APL-TE2
5-1/4" × 7-1/4" × 1/2"

MODERN CLASSIC APPLIQUES & ROSETTES

width X height X thickness



APL-DO3
6-3/4" x 12" x 1/2"



APL-DO4
6-3/4" x 12" x 1/2"



APL-RE3
5-5/8" x 12" x 1/2"



APL-RE4
5-5/8" x 12" x 1/2"



APL-MI3
6-3/4" x 12" x 1/2"

APL-MI4
6-3/4" x 12" x 1/2"



ROS-EGR1
4-1/4" dia. x 3/4"

ROS-EGR2
5-3/8" dia. x 1"



ROS-EPR1
4-1/4" dia. x 3/4"

ROS-EPR2
5-1/4" dia. x 1"



ROS-ESR1
4-1/4" dia. x 3/4"

ROS-ESR2
5-1/4" dia. x 1"



ROS-SN1
4-1/4" dia. x 3/4"

ROS-SN2
5-3/8" dia. x 1"



ROS-ES
2-1/4" x 4-1/4" x 3/4"



ROS-EG
2-1/4" x 4-1/4" x 3/4"

TRADITIONAL MOULDINGS

length X height X thickness



MLD-GF48
48" x 3-1/2" x 3/4"



MLD-G48
48" x 3" x 3/4"



MLD-O48
48" x 3" x 3/4"



MLD-AC48
48" x 3" x 3/4"



MLD-LK2
96" x 1-5/8" x 3/4"

MLD-LK1
96" x 1-3/8" x 3/4"



MLD-R2
96" x 1-5/8" x 3/4"

MLD-R1
96" x 1-3/8" x 3/4"



MLD-F2
96" x 2" x 3/4"

MLD-F1
96" x 1-1/2" x 3/4"



MLD-FL6
96" x 8" x 3/4"

MLD-FL5
96" x 5" x 3/4"

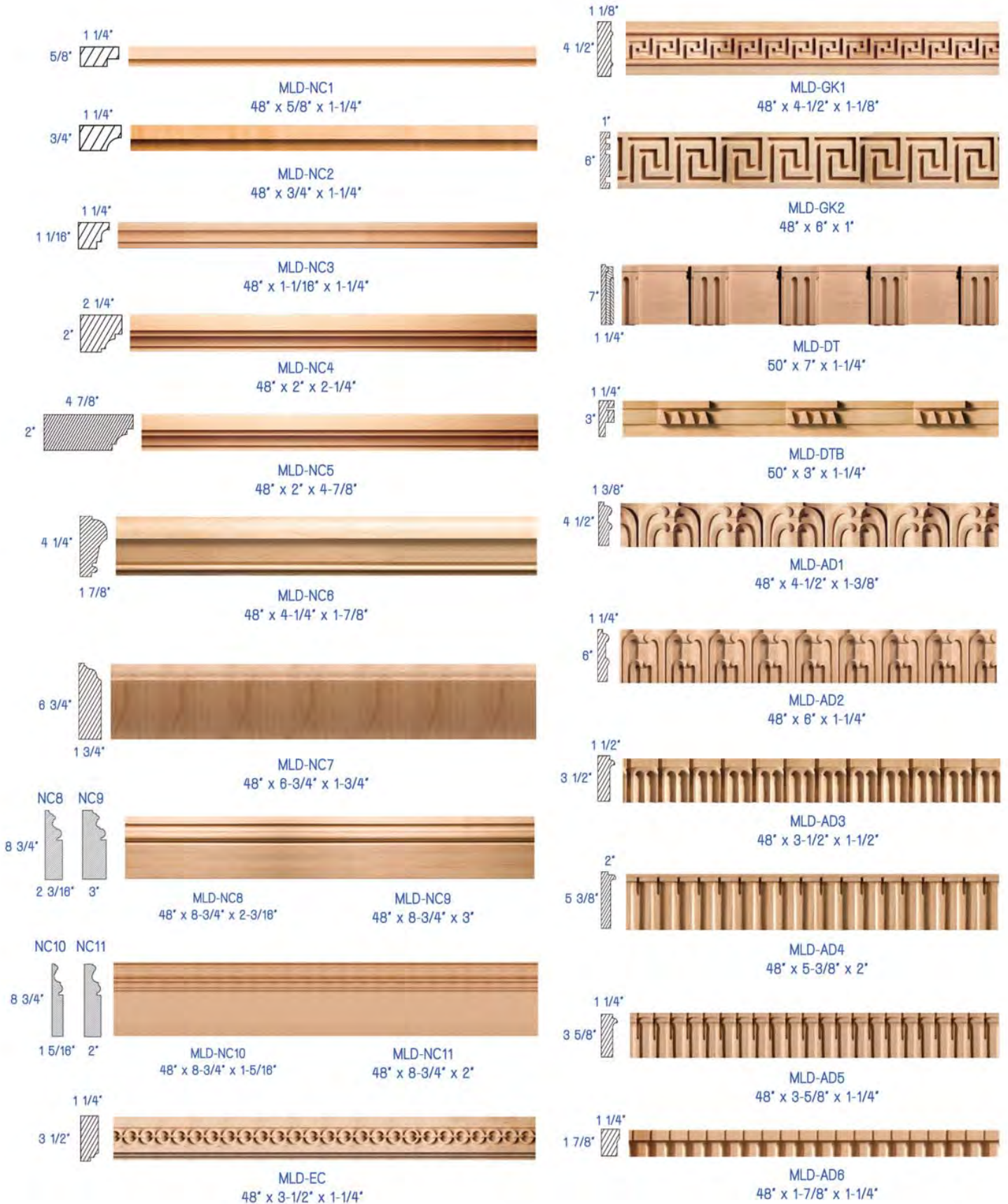
MLD-FL4
96" x 4" x 3/4"

MLD-FL3
96" x 3" x 3/4"

MLD-FL2
96" x 2" x 3/4"

MODERN CLASSIC MOULDINGS

length X height X thickness



MODERN CLASSIC MOULDINGS

length X height X thickness



MLD-AV1
50" x 2-5/8" x 4-1/2"



MLD-AV3
3-3/4" x 3-3/4" x 2-5/8"



MLD-AV2
50" x 2-1/2" x 4-1/2"



MLD-AV4
3-3/4" x 3-1/2" x 2-1/2"



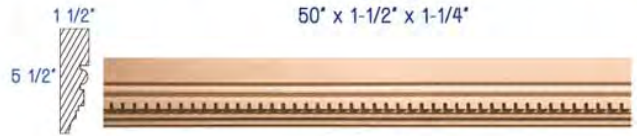
MLD-BAV1
50" x 2-3/4" x 4-1/2"



MLD-BAV2
5-1/4" x 3-1/2" x 2-3/4"



MLD-AVD
50" x 1-1/2" x 1-1/4"



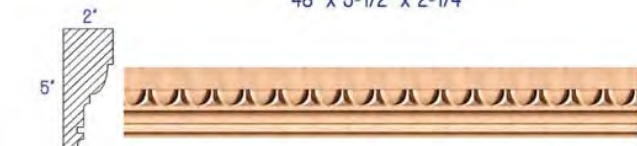
MLD-RD
48" x 5-1/2" x 1-1/2"



MLD-SH
48" x 4-1/2" x 1"



MLD-EW
48" x 5-1/2" x 2-1/4"



MLD-ED
48" x 5" x 2"



MLD-DED
48" x 5-1/2" x 2-1/2"



MLD-W
48" x 6" x 1-1/4"

NEW ART



MLD-AR
95-5/8" x 7-1/8" x 2-1/2"



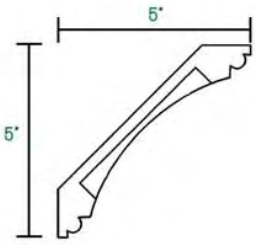
MLD-B-SCOTIA
96" x 6-3/8" x 2"



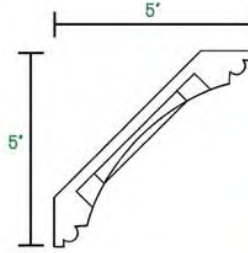
MLD-B-TORUS
96" x 6-3/8" x 2"

MULTIPLICITY MOULDINGS

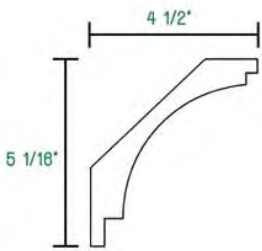
length X height X thickness



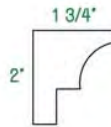
MLD-CS
96" x 7-1/16" x 1-1/8"



MLD-CSC
96" x 7-1/16" x 1-1/8"



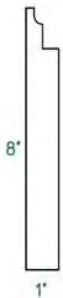
MLD-CC
96" x 6-3/4" x 1-7/8"



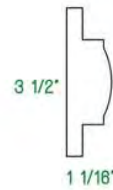
MLD-LV
96" x 2" x 1-3/4"



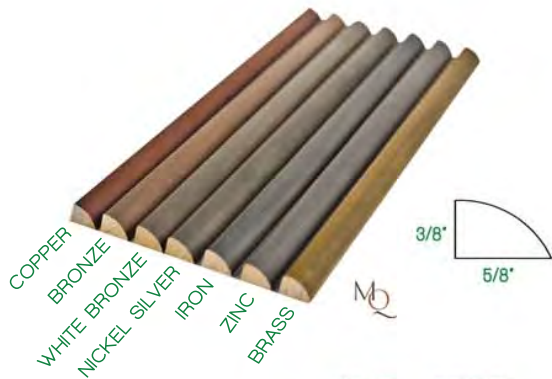
MLD-C
96" x 4-1/2" x 1-3/8"



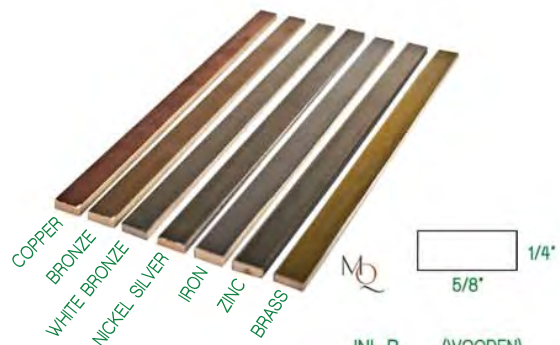
MLD-B
96" x 8" x 1"



MLD-CR
96" x 3-1/2" x 1-1/16"



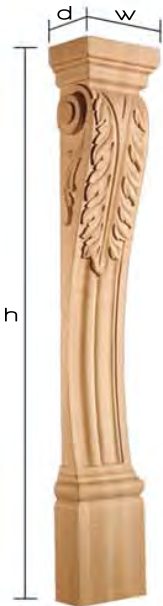
INL-QR (WOODEN)
96" x 5/8" x 3/8"
INL-QRM (METALIZED)
96" x 5/8" x 3/8"



INL-R (WOODEN)
96" x 5/8" x 1/4"
INL-RM (METALIZED)
96" x 5/8" x 1/4"

TRADITIONAL ISLAND POSTS

width X depth X height



ISL-MAC3
6" x 4" x 35"



ISL-LAC3
8" x 7-1/2" x 36-1/2"



ISL-AN35
8" x 17-3/4" x 35-1/2"



ISL-AC5R
8" x 2" x 35"
ISL-AC5L
8" x 2" x 35"



ISL-FRA2
7-3/4" x 6" x 36"
ISL-FRA2L
7-3/4" x 6" x 42"



ISL-FR2
7-3/4" x 6" x 36"
ISL-FR2L
7-3/4" x 6" x 42"



ISL-SH2
7-1/2" x 7-1/2" x 36"
ISL-SH2L
7-1/2" x 7-1/2" x 42"



ISL-TR2
7-3/4" x 6" x 36"
ISL-TR2L
7-3/4" x 6" x 42"

MODERN CLASSIC ISLAND POSTS

width X depth X height



ISL-CRL
10-1/4" x 10" x 35"



ISL-CRS
7-3/8" x 10" x 35"



ISL-CREL
10-3/8" x 6-7/8" x 35"



ISL-CRES
7-3/8" x 6-7/8" x 35"



ISL-FL
10-3/8" x 6-7/8" x 35"



ISL-FS
7-3/8" x 6-7/8" x 35"



ISL-NCCL
12" x 11-3/4" x 35"



ISL-NCCS
9-1/2" x 11-3/4" x 35"



ISL-NCPL
12" x 11-3/4" x 35"



ISL-NCPS
9-1/2" x 11-3/4" x 35"



ISL-NCP4
13" x 11-3/4" x 35"



ISL-VSV2
10" x 9" x 35"



ISL-GRI1
13-1/2" x 6-3/4" x 35"



ISL-GRI2
13-1/2" x 6-3/4" x 35"

MODERN CLASSIC ISLAND POSTS

width X depth X height



ISL-GRI3
13-1/2' x 6-3/4' x 35'



ISL-GK1
15-3/4' x 7-7/8' x 35'



ISL-NCE
12-3/4' x 6-3/4' x 35'



ISL-GR
10-1/4' x 6-1/2' x 35'



ISL-DLP
9-1/2' x 8-1/8' x 35'



ISL-EGF2
9-1/2' x 8-1/2' x 35'



ISL-AVG
9-1/2' x 9' x 35'



ISL-NCS2
9-1/2' x 8-1/4' x 35'

NEW ART



ISL-BAW2
9' x 8' x 35-1/2'



ISL-MA2
9' x 8' x 35-1/2'



ISL-BAN2
9' x 8' x 35-1/2'



ISL-BAW1
9' x 8' x 35-1/2'



ISL-MA1
9' x 8' x 35-1/2'

NEW ART ISLAND POSTS

width X depth X height



ISL-BAN1
9' x 8' x 35-1/2'



ISL-MAT2
4-1/2' x 8' x 35-1/2'



ISL-MAT1
4-1/2' x 8' x 35-1/2'



ISL-BAT2
4-1/2' x 8' x 35-1/2'

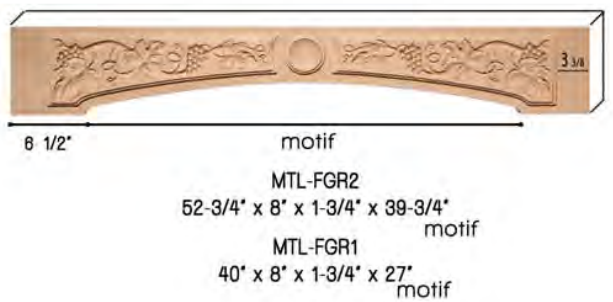
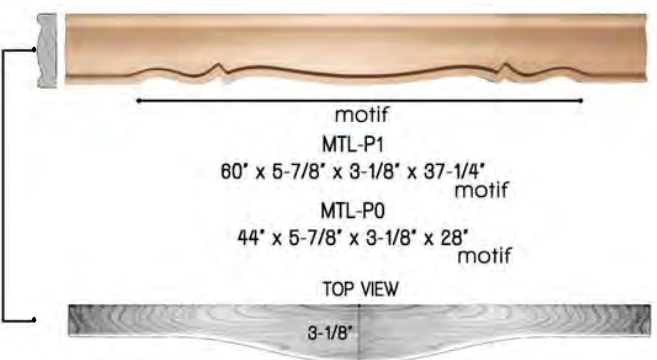
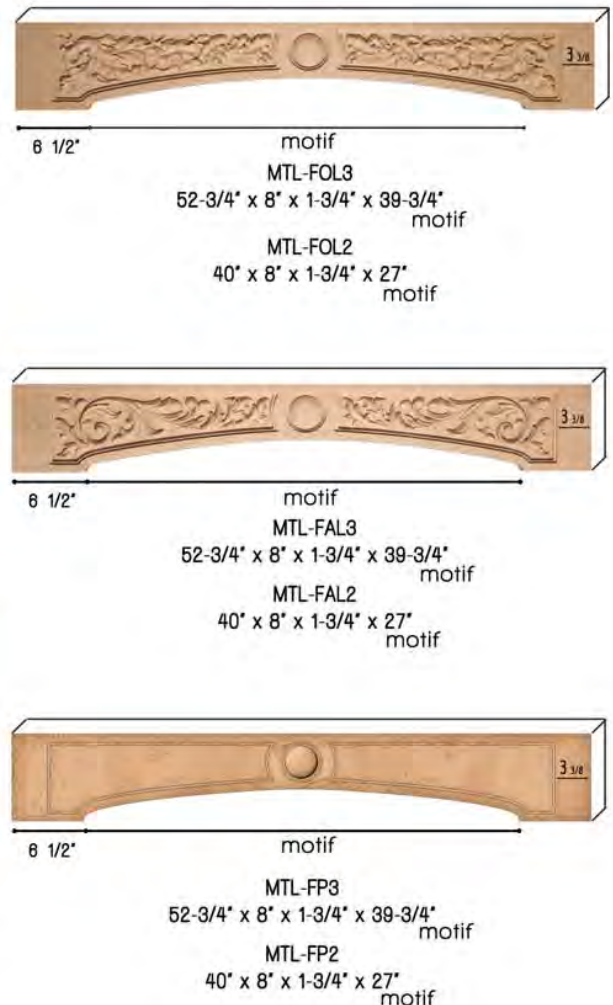
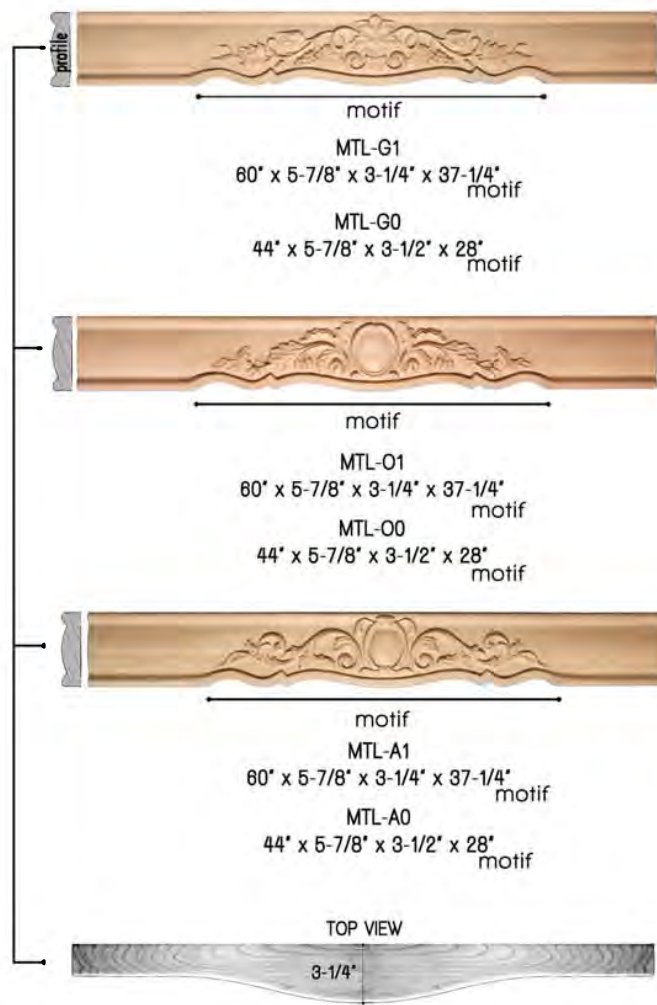


ISL-BAT1
4-1/2' x 8' x 35-1/2'



TRADITIONAL MANTELS

length X height X thickness



MTL-LF3
58" x 7-7/8" x 1-3/4"

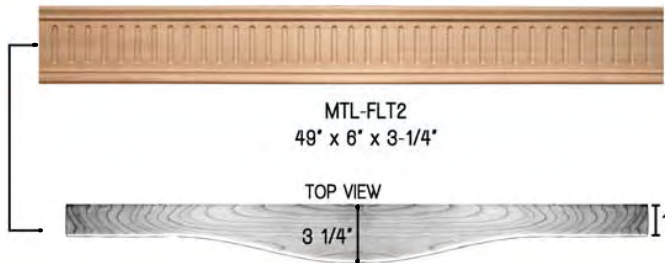
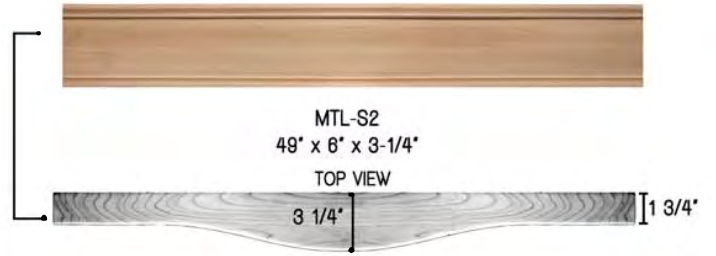


MTL-BEL54
54" x 10" x 1-3/8"

MTL-BEL48
48" x 9" x 1-3/8"

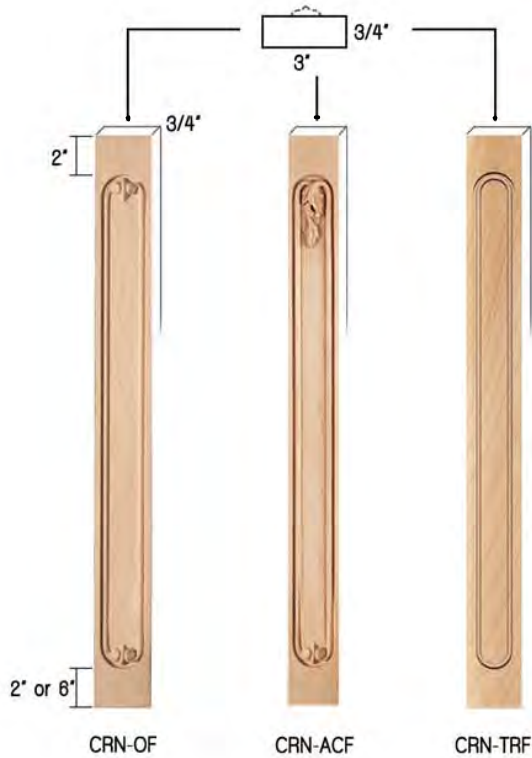
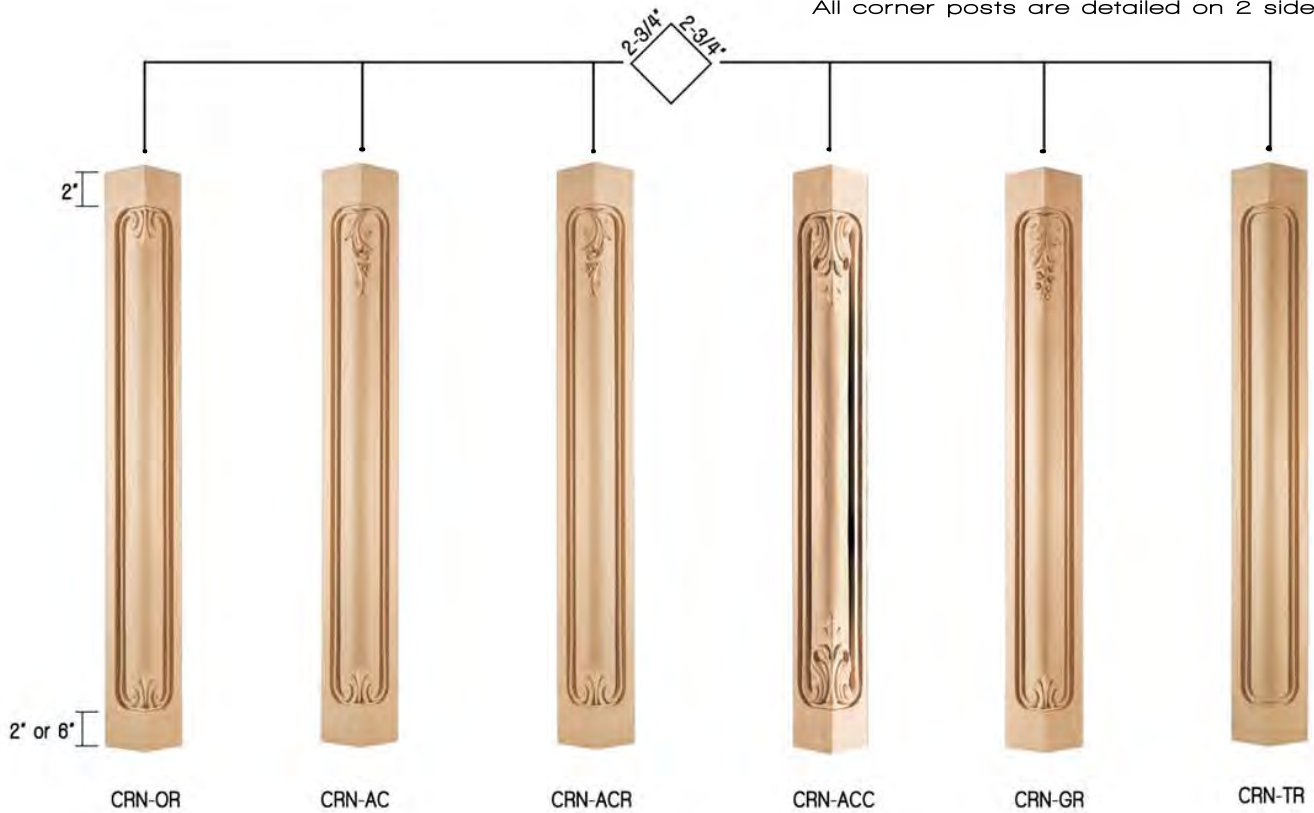
TRADITIONAL MANTELS

length X height X thickness



TRADITIONAL CORNER POSTS

All corner posts are detailed on 2 sides.



STANDARD SIZES

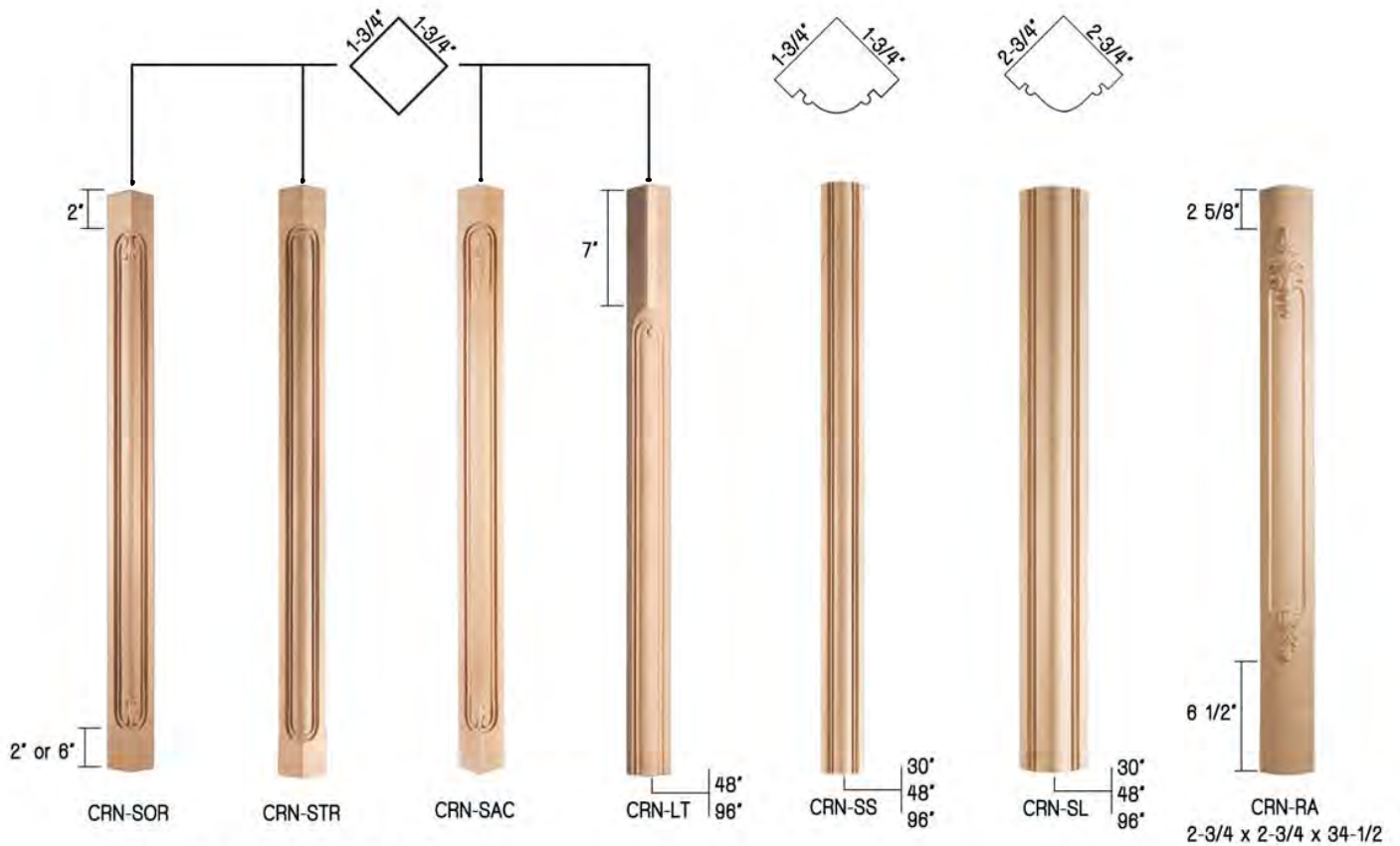


27"
28-5/16"
29-1/8"
30"
36"
42-1/8"



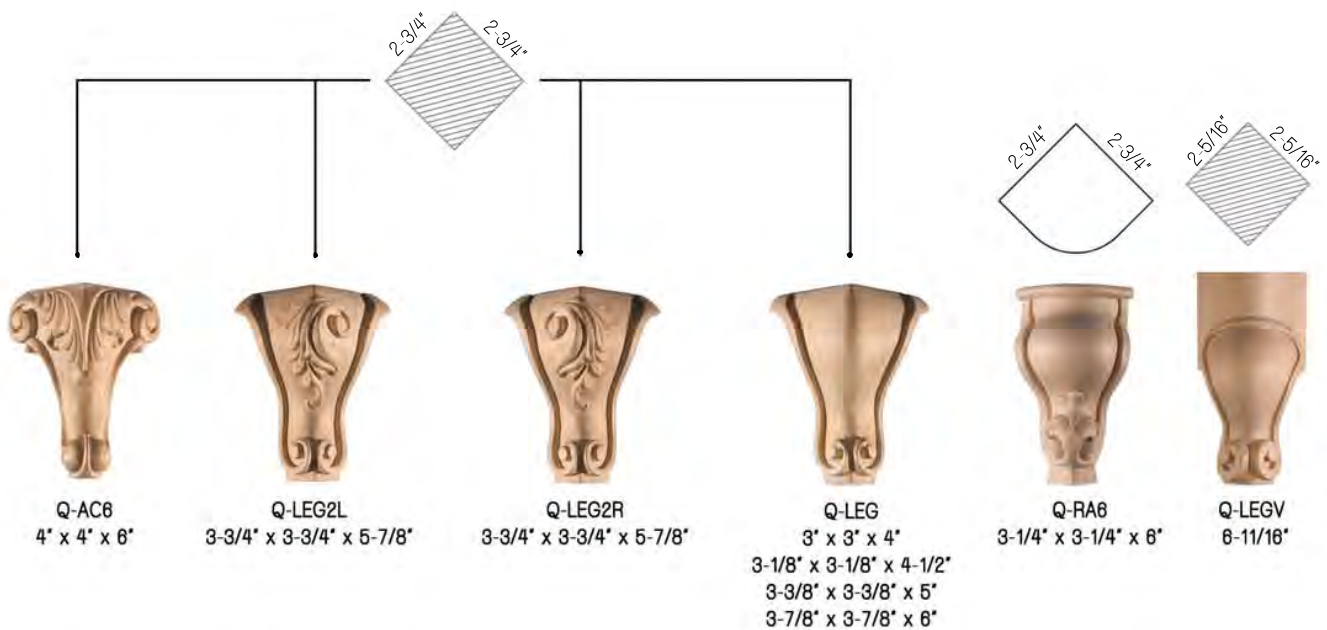
28-1/2"
34-1/2"
84"
90"
96"

TRADITIONAL CORNER POSTS



Refer to page 22 for available lengths

TRADITIONAL QUEEN ANNE LEGS



MODERN CLASSIC CORNER POSTS



CRN-AV26
28-1/4" h
CRN-AV32
32-1/4" h
CRN-AV42
42" h

CRN-AV34
34-1/2" h
CRN-AV40
40-1/2" h

CRN-GK26
28-1/4" h
CRN-GK32
32-1/4" h
CRN-GK42
42" h

CRN-GK34
34-1/2" h
CRN-GK40
40-1/2" h

CRN-AD26
28-1/4" h
CRN-AD32
32-1/4" h
CRN-AD42
42" h

CRN-AD34
34-1/2" h
CRN-AD40
40-1/2" h



CRN-NCS26
26-1/4" h
CRN-NCS32
32-1/4" h
CRN-NCS42
42" h



CRN-NCS34
34-1/2" h
CRN-NCS40
40-1/2" h



CRN-AB26
26-1/4" h
CRN-AB32
32-1/4" h
CRN-AB42
42" h

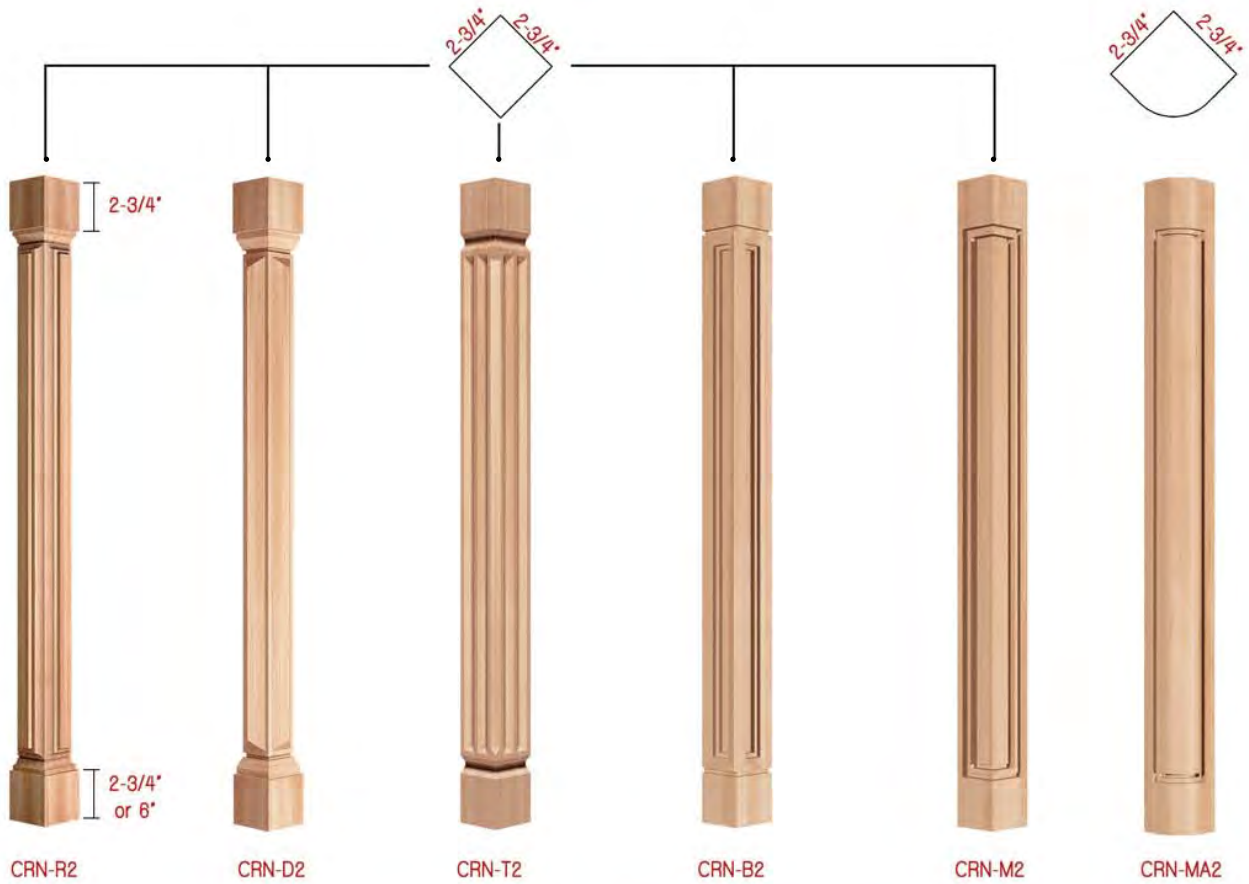


CRN-AB34
34-1/2" h
CRN-AB40
40-1/2" h



BS-CRN-4S (4-SIDED)
3 7/8" X 3 7/8" X 8 3/4"
BS-CRN-2S (2-SIDED)
3 1/4" X 3 1/4" X 8 3/4"

NEW ART CORNER POSTS



AVAILABLE LENGTHS : 26", 28", 32", 35-1/2", 42", 84", 90", 96"



NEW ART CORNER POSTS



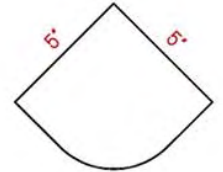
CRN-MR5



CRN-M5



CRN-MAR5



AVAILABLE LENGTHS : 35-1/2", 42"

NEW ART BASES



COR-FTS2
6-7/8" x 6-7/8" x 6-3/8"



COR-FTS1
6-5/8" x 6-5/8" x 6-3/8"



COR-FTT2
8-1/2" x 8-1/2" x 6-3/8"



COR-FTT1
6-3/8" x 6-3/8" x 6-3/8"



COR-FTSR2
6-1/8" x 6-1/8" x 6-3/8"



COR-FTSR1
3-7/8" x 3-7/8" x 6-3/8"

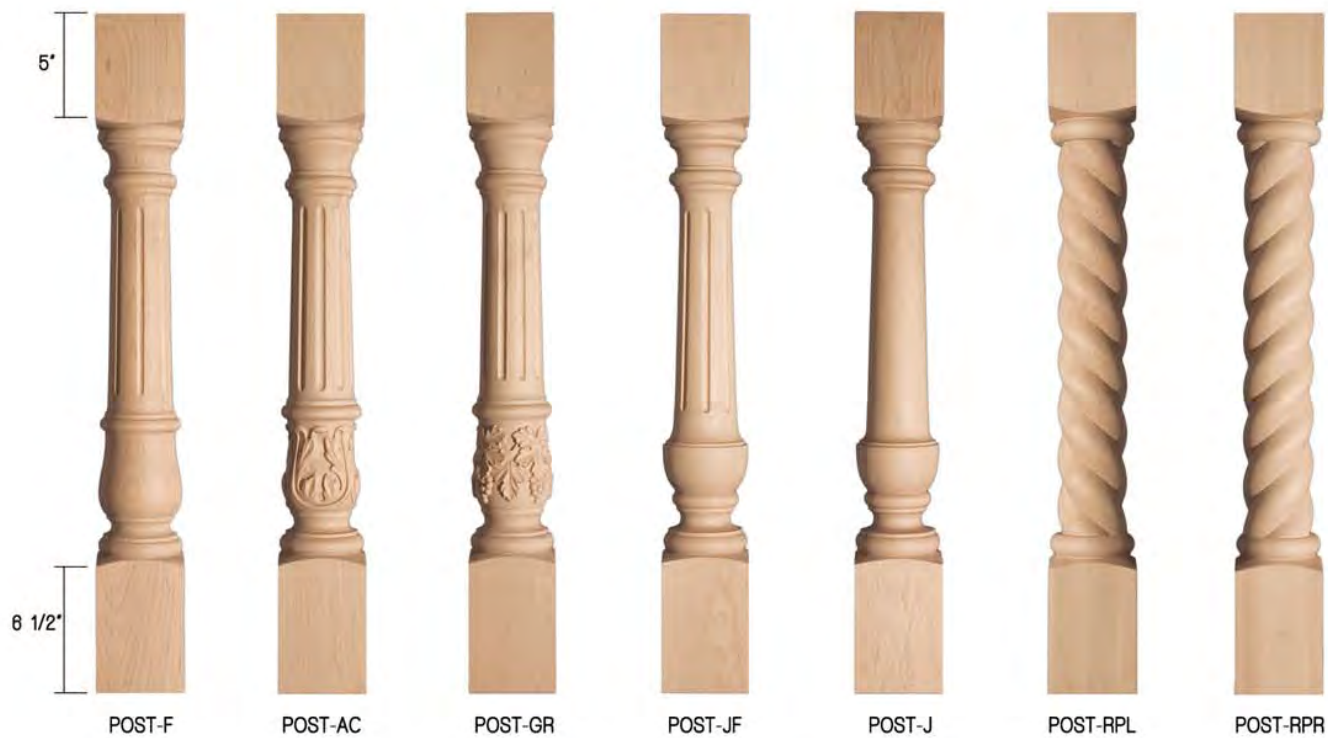


COR-FTTR2
5-7/8" x 5-7/8" x 6-3/8"



COR-FTTR1
3-5/8" x 3-5/8" x 6-3/8"

TRADITIONAL POSTS, LEGS & TURNINGS



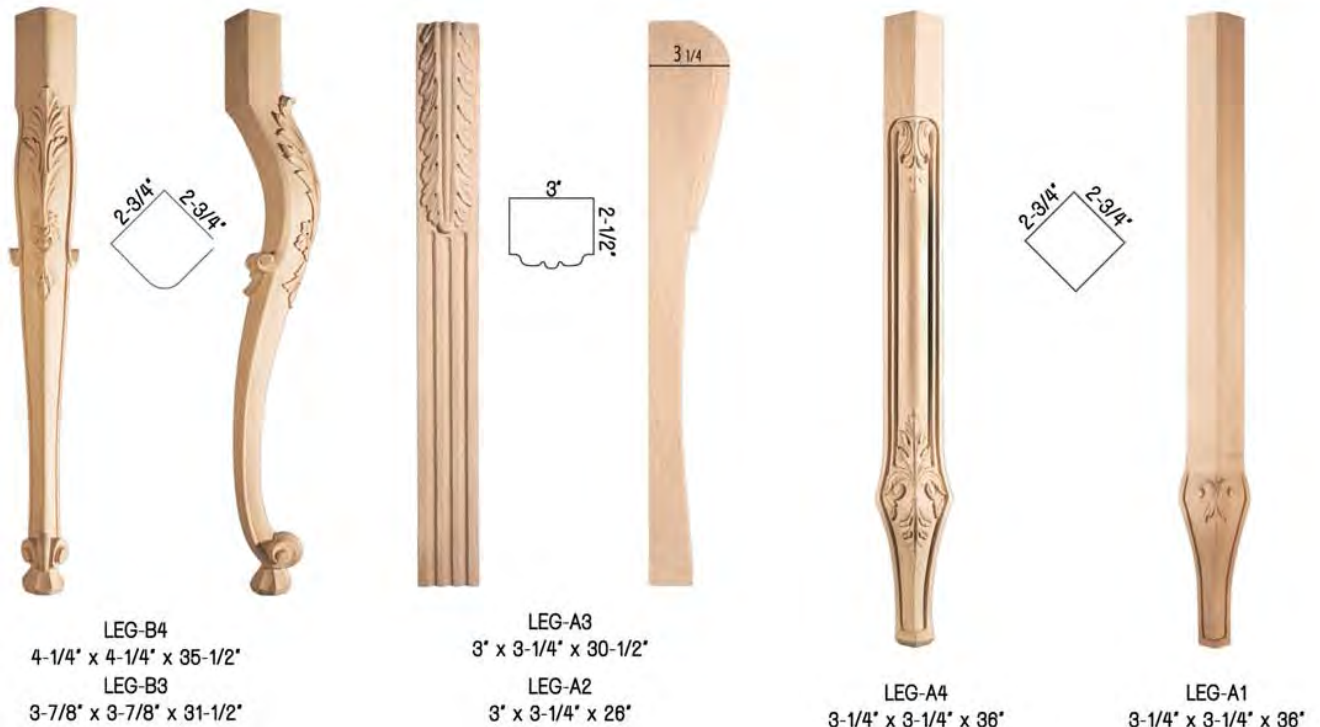
AVAILABLE IN 3 SIZES

size 1:	3-1/2" x 3-1/2" x 34-1/2"
size 2:	4" x 4" x 34-1/2"
size 3:	4-1/2" x 4-1/2" x 34-1/2"

TRADITIONAL POSTS, LEGS & TURNINGS



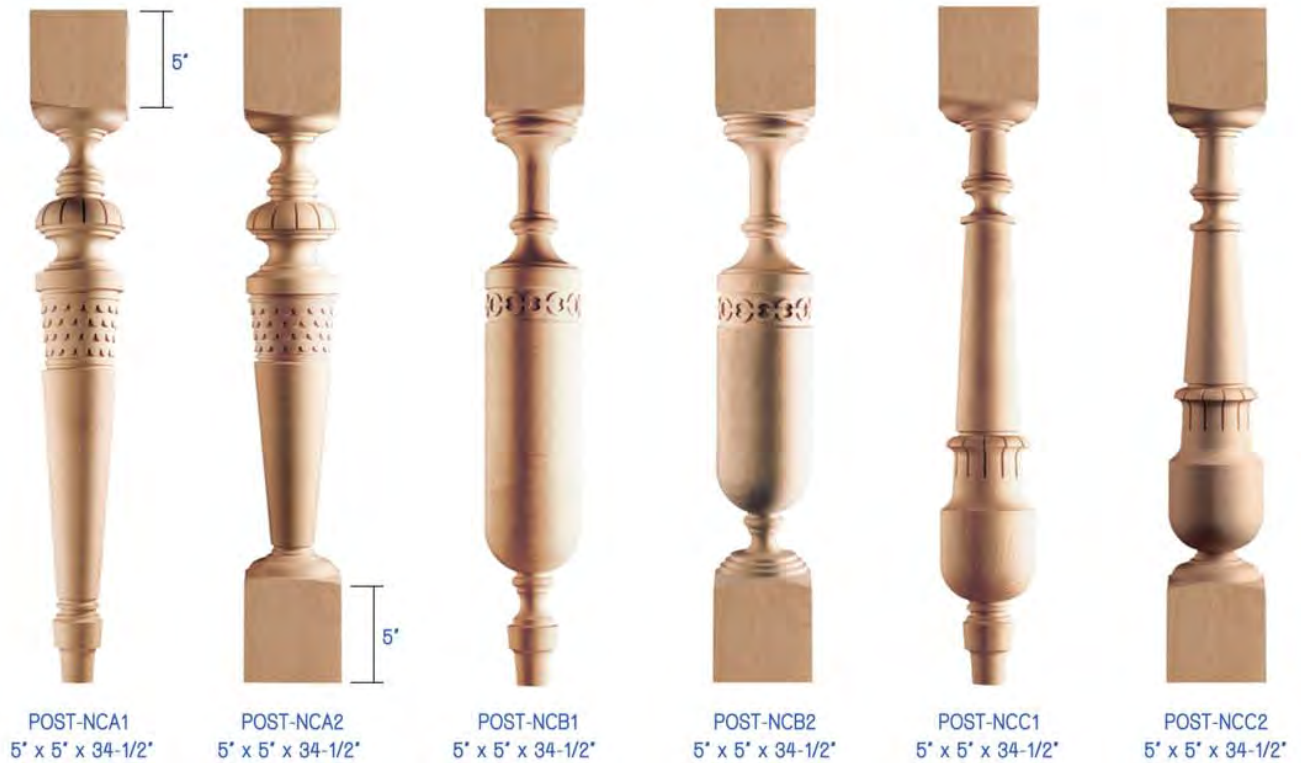
AVAILABLE IN 3 SIZES | size 1: 3-1/2" x 3-1/2" x 34-1/2"
 size 2: 4" x 4" x 34-1/2"
 size 3: 4-1/2" x 4-1/2" x 34-1/2"



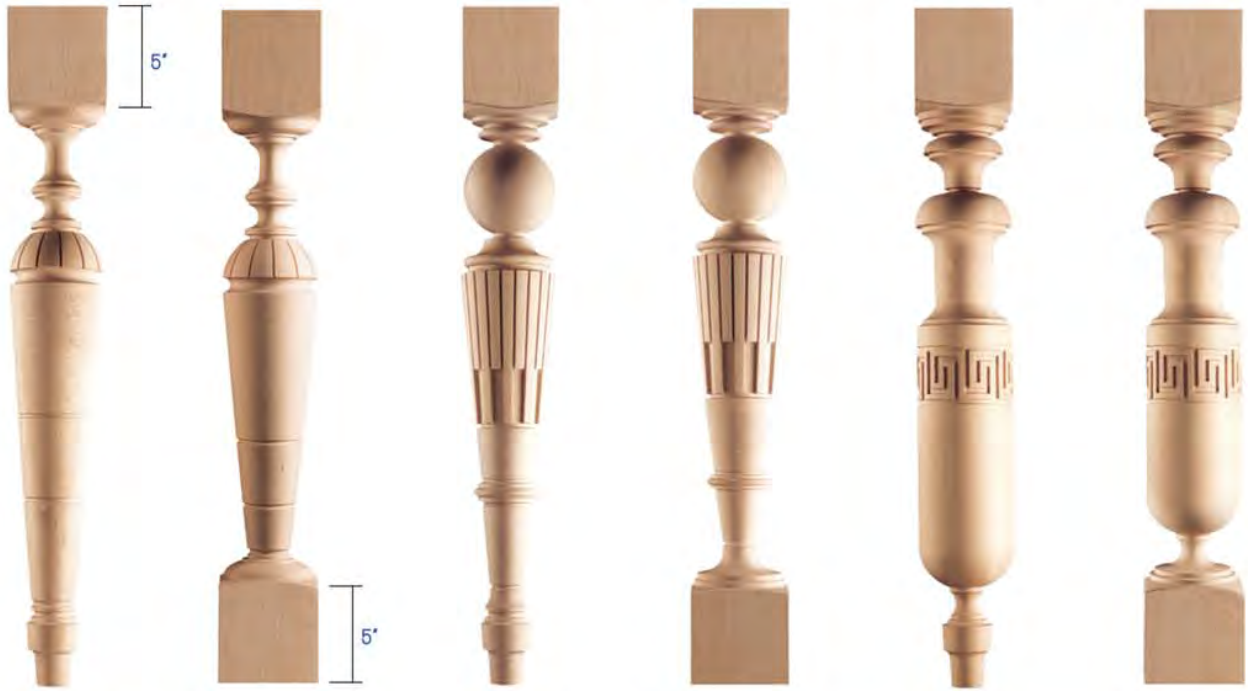
TRADITIONAL POSTS, LEGS & TURNINGS



MODERN CLASSIC



MODERN CLASSIC POSTS, LEGS & TURNINGS



POST-NCD1
5' x 5' x 34-1/2'

POST-NCD2
5' x 5' x 34-1/2'

POST-NCE1
5' x 5' x 34-1/2'

POST-NCE2
5' x 5' x 34-1/2'

POST-NCF1
5' x 5' x 34-1/2'

POST-NCF2
5' x 5' x 34-1/2'

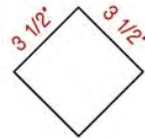
NEW ART



POST-IT324
3-1/2' x 3-1/2' x 35-1/2'



POST-IT318
3-1/2' x 3-1/2' x 35-1/2'



POST-IT312
3-1/2' x 3-1/2' x 35-1/2'

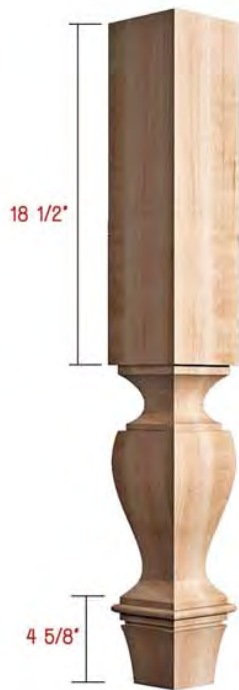


POST-IT38
3-1/2' x 3-1/2' x 35-1/2'

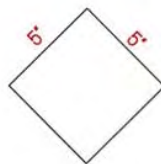
NEW ART POSTS, LEGS & TURNINGS



POST-IT522
5' x 5' x 35-1/2'



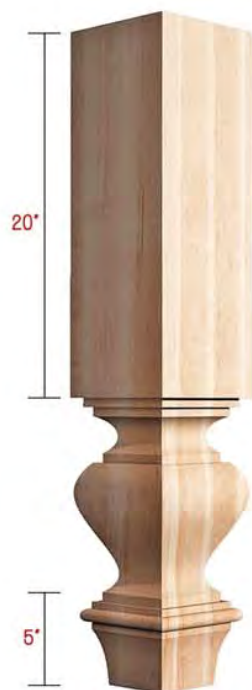
POST-IT518
5' x 5' x 35-1/2'



POST-IT512
5' x 5' x 35-1/2'



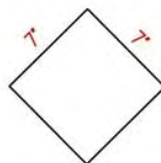
POST-IT58
5' x 5' x 35-1/2'



POST-IT720
7' x 7' x 35-1/2'



POST-IT718
7' x 7' x 35-1/2'

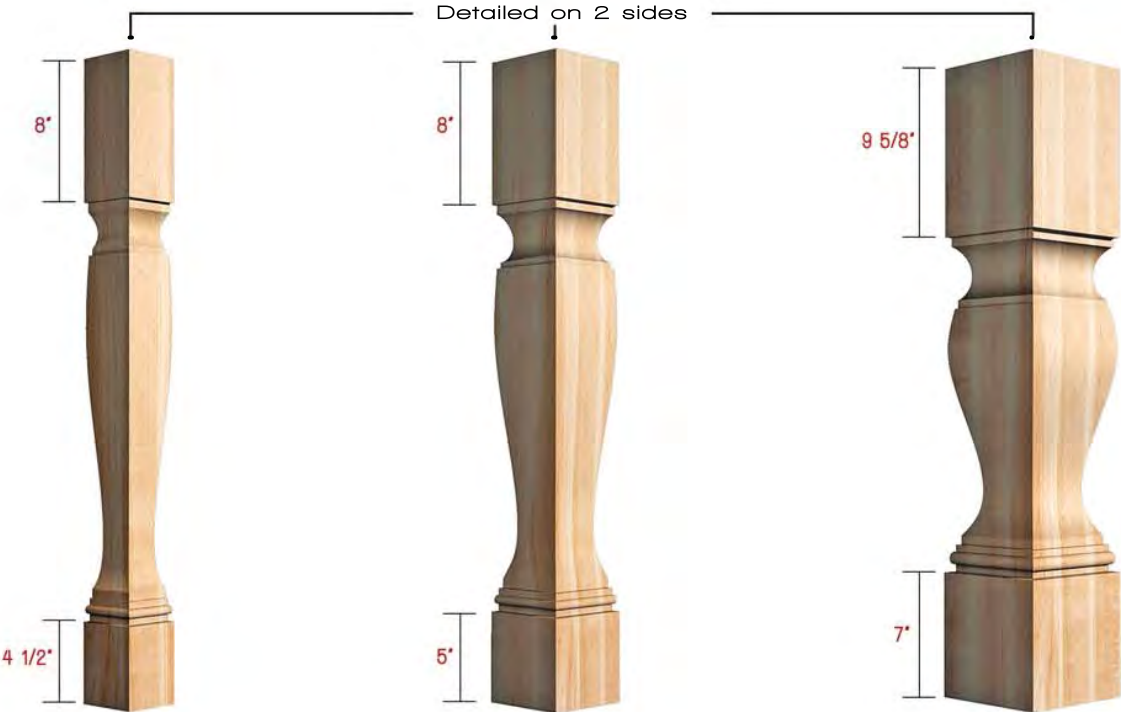


POST-IT712
7' x 7' x 35-1/2'



POST-IT79
7' x 7' x 35-1/2'

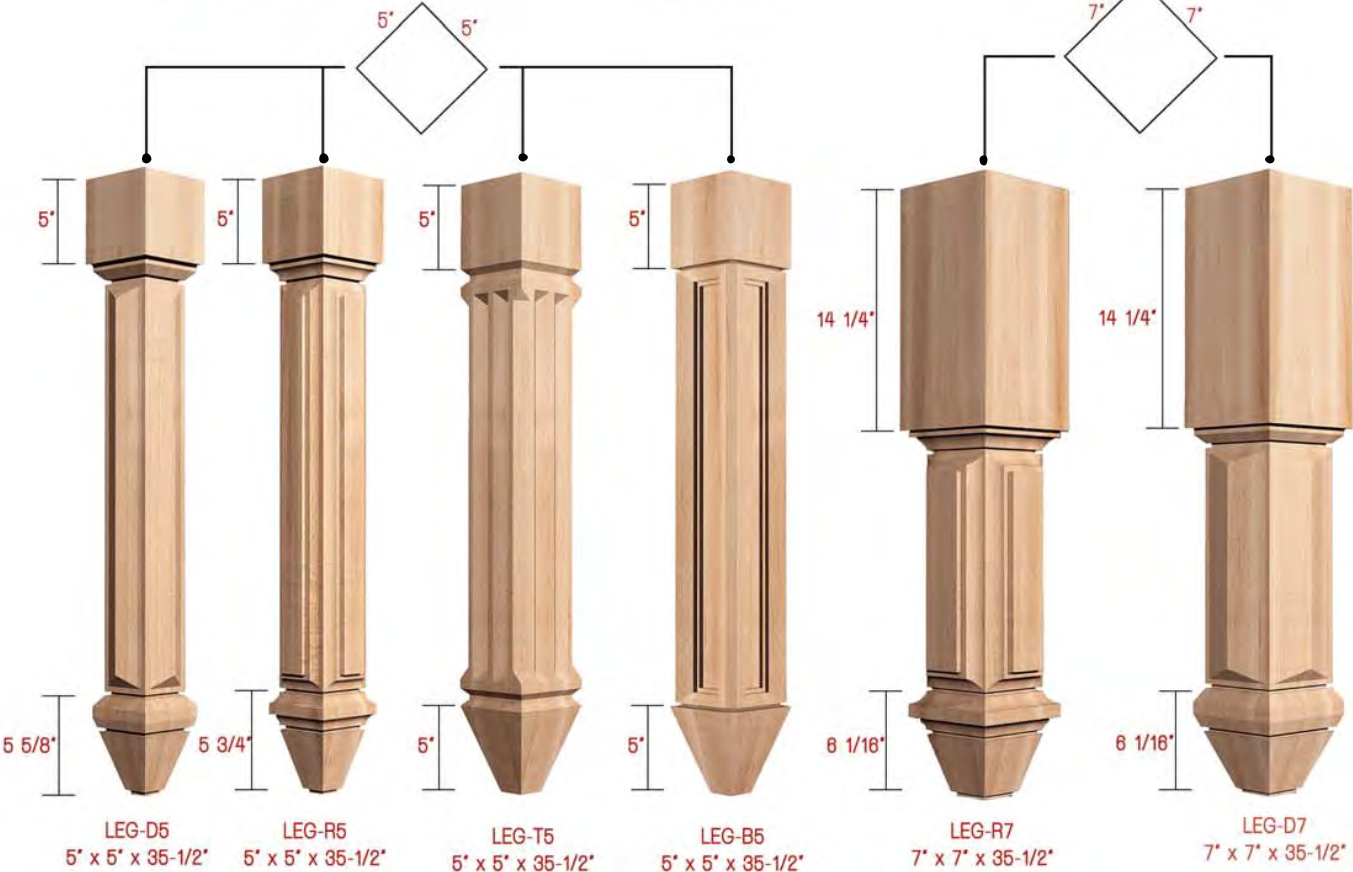
NEW ART POSTS, LEGS & TURNINGS



POST-ITCR3
3-1/2" x 3-1/2" x 35-1/2"

POST-ITCR5
5" x 5" x 35-1/2"

POST-ITCR7
7" x 7" x 35-1/2"



LEG-D5
5" x 5" x 35-1/2"

LEG-R5
5" x 5" x 35-1/2"

LEG-T5
5" x 5" x 35-1/2"

LEG-B5
5" x 5" x 35-1/2"

LEG-R7
7" x 7" x 35-1/2"

LEG-D7
7" x 7" x 35-1/2"

MULTIPLICITY POSTS, LEGS & TURNINGS



LEG-ORBW35
4-1/2' x 4-1/2' x 35-1/2'
LEG-ORBW41
4-1/2' x 4-1/2' x 41-1/2'
LEG-ORBW29
4-1/2' x 4-1/2' x 29-1/2'



LEG-ORBWM35
4-1/2' x 4-1/2' x 35-1/2'
LEG-ORBWM41
4-1/2' x 4-1/2' x 41-1/2'
LEG-ORBWM29
4-1/2' x 4-1/2' x 29-1/2'

METALIZED CHOICES



COPPER



NICKEL SILVER



BRONZE



IRON



WHITE BRONZE



ZINC



BRASS



LEG-ORBCC35
4-1/2' x 4-1/2' x 35-1/2'
LEG-ORBCC41
4-1/2' x 4-1/2' x 41-1/2'
LEG-ORBCC29
4-1/2' x 4-1/2' x 29-1/2'

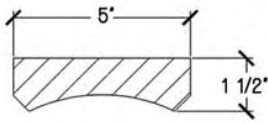


LEG-ORBCF35
4-1/2' x 4-1/2' x 35-1/2'
LEG-ORBCF41
4-1/2' x 4-1/2' x 41-1/2'
LEG-ORBCF29
4-1/2' x 4-1/2' x 29-1/2'

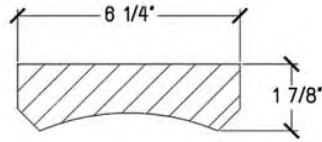


TRADITIONAL CAPITALS

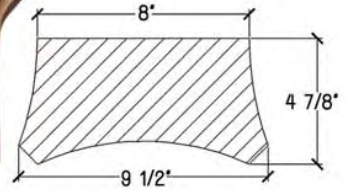
width X depth X height



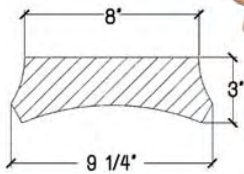
CPL-A1
5" x 1-1/2" x 5-1/4"



CPL-A2
8-1/4" x 1-7/8" x 8-1/4"



CPL-A3
9-1/2" x 4-7/8" x 10"



CPL-A4
9-1/4" x 3" x 5-7/8"



CPL-ED4
8-5/8" x 1-3/4" x 6-1/8"



Courtesy of Neff Kitchens

MODERN CLASSIC CAPITALS, PILASTER & BASE

width × depth × height



CPL-GK
15-3/4" × 7-7/8" × 6-1/4"



CPL-GRI
13-1/2" × 6-3/4" × 6-1/2"



CPL-GR
10-1/4" × 6-1/2" × 6-1/2"



CPL-NCE
12-3/4" × 6-3/4" × 7-1/2"



CPL-NCM
8-3/4" × 5-1/8" × 7-1/2"



CPL-NCS
6-3/4" × 3-5/8" × 7-1/2"



SCPL-ADA1
7-1/4" × 4" × 3-3/4"



SCPL-ADA2
7-1/2" × 4" × 3-1/2"



SCPL-ADA3
7-3/4" × 4" × 6"



SCPL-ADA4
7-3/4" × 4" × 5-3/4"



SCPL-NCT
7-5/8" × 4" × 6-7/8"



SCPL-GK
8-1/4" × 4-1/4" × 7"



SCPL-ADD
7-1/4" × 4" × 1-7/8"



SCPL-AD
6-1/8" × 3-3/4" × 4-1/2"

MODERN CLASSIC CAPITALS, PILASTER & BASE

width × depth × height



PLS-FL
6-1/8" x 3-1/4" x 42" or 91"
PLS-FM
4-1/2" x 3" x 42" or 91"
PLS-FS
2-1/2" x 1-5/8" x 42" or 91"



PLS-PL
6-1/8" x 3-1/4" x 42" or 91"
PLS-PM
4-1/2" x 3" x 42" or 91"
PLS-PS
2-1/2" x 1-5/8" x 42" or 91"



PLS-CHL
6-1/8" x 3-1/4" x 42" or 91"
PLS-CHM
4-1/2" x 3" x 42" or 91"
PLS-CHS
2-1/2" x 1-5/8" x 42" or 91"



PLS-STL
6-1/8" x 3-1/4" x 42" or 91"
PLS-STM
4-1/2" x 3" x 42" or 91"
PLS-STS
2-1/2" x 1-5/8" x 42" or 91"



CHISEL



STIPPLE



BS-NCT3
10" x 5" x 8-3/4"



BS-NCT2
7-5/8" x 4-1/2" x 8-3/4"



BS-NCT1
4-1/2" x 2-5/8" x 8-3/4"

TRADITIONAL VANITY BASES

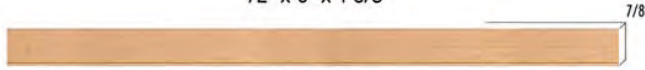
length X height X thickness



VAN-VM3
72" x 7-3/4" x 1-3/8"



VAN-V3
72" x 8" x 1-3/8"



VAN-EXT2
48" x 3" x 7/8"



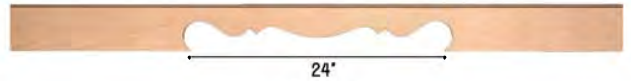
VAN-BA
72" x 3-1/2" x 1-1/4"



VAN-EXT1
48" x 2-1/2" x 3/4"



VAN-BO
72" x 3-3/8" x 1-1/4"



VAN-K2
60" x 4-1/2" x 3/4"



VAN-K1
44" x 4-1/2" x 3/4"



VAN-KEXT
44" x 4-1/2" x 3/4"



VAN-WBA
60" x 6-1/2" x 1-3/8"



VAN-WBO
60" x 7" x 1-3/8"



Courtesy of Gegg Design & Cabinetry

TRADITIONAL BUN FEET & SPOOLS HALF- ROUNDS

diameter X height



BUN-F2
5-1/2' x 4-1/2'



BUN-F1
4-3/4' x 4'



BUN-R2
3-1/2' x 5'



BUN-R1
3-1/4' x 4'



A8
Height



A7



A6



A5



A4-1/2



A4



HRR2
2' x 1'
HRR1
1-1/2' x 3/4'
HRR0
1-1/4' x 5/8'

SPL2
2-3/4' x 1-3/8' x 3'
SPL1
2-1/4' x 1-1/8' x 3'
SPL0
1-3/4' x 7/8' x 2-1/2'
Sold in two halves

HR2
2' x 1'
HR1
1-1/2' x 3/4'
HR0
1-1/4' x 5/8'



B-SPL2-8
3' x 1-1/2' x 8'
B-SPL1-8
2-1/2' x 1-1/4' x 8'
B-SPL0-8
2' x 1' x 7-1/2'
Sold in two halves

HBR2
2-1/2' x 1-1/4' x 7-1/2'
HBR1
2' x 1' x 7-1/2'
HBR0
1-3/4' x 7/8' x 7-1/2'
Sold in two halves

B-SPL2-12
3' x 1-1/2' x 12'
B-SPL1-12
2-1/2' x 1-1/4' x 12'
B-SPL0-12
2' x 1' x 11-1/2'
Sold in two halves



ROPE8
2' x 1' x 94'
ROPE4
1-1/2' x 3/4' x 94'
ROPE3
1-1/4' x 5/8' x 94'
ROPE1
3/4' x 3/8' x 94'



ART FOR EVERYDAY™

Architectural Woodcarvings

- ✓ Available in all wood species
- ✓ All items can be customized in size and design
- ✓ Manufactured in North America



420 Canarctic Drive, Toronto ON, M3J 2V3, Canada

Toll Free Tel: 1.866.850.2680 Toll Free Fax: 1.877.850.2604

Tel: 416.645.5120 Fax: 416.645.5121

sales@artforeveryday.com

www.artforeveryday.com

KARMAN

PRESENTS

STANISCI
DESIGN

For Your Discriminating Customers



Cabinetry by Karman's Stanisci Design hoods provide:

- High quality at attractive prices
- Allows you to differentiate yourself from your competition
- Pre-engineered hood designs and ventilation packages
- Multiple wood carving combinations available
- Easy installation
- Removable panel option on most hoods
- Available in most Karman species with the exception of Bamboo. Please review specific hood series for special considerations only applicable to that model. This could include limited Species availability by model.

***Please be advised that any hood ordered with custom size modifications to accept customer supplied ventilation specifications will be subject to an additional \$916 List modification charge.**

**Please check your local building codes before placing an order. Range Hoods and Ventilators are subject to local building codes. We attempt to design our hoods to meet as many building codes as possible; unfortunately, we are unable to keep track of all the local building codes. It is your responsibility to make sure Stanisci Design Wood Range hoods and Liner-Ventilators meet your local building code. If you have unique building code requirements, we will attempt to revise our design to meet these codes; an upcharge may apply.

FAQ	<i>Common Questions</i>		3
	<i>Materials & Construction</i>		4
	<i>Available Wood Species</i>		5-6
	<i>Base Styles</i>		7
	<i>Base Molding Options</i>		8
	<i>Framing Bead and Panel Raises</i>		9
	<i>Free-Standing vs. In-Series</i>		10
	<i>Order and Quote Forms</i>		11-13
WOOD RANGE HOODS	<i>All Hood Series – See next page for complete list</i>		15-93
	<i>Axton (AX) – NEW</i>	★	15-16
	<i>ER Showcase - NEW</i>	★	37-38
	<i>Erwin (ER200) – NEW Summer 2024</i>	★	39-40
	<i>Erie (ER300) – NEW Summer 2024</i>	★	41-42
	<i>Ericson (ER400) – NEW Summer 2024</i>	★	43-44
	<i>Erdahl (ER500) – NEW Summer 2024</i>	★	45-46
	<i>Ernston (ER600) – NEW Summer 2024</i>	★	47-48
	<i>Kingston (K200) - NEW</i>	★	67-68
	<i>Kilgore (K300) – NEW</i>	★	69-70
	<i>Saddlebrook (SB100) – NEW Fall 2024</i>	★	83-84
VENTILATION	<i>Stainless Base w/ Baffle Filters (SS-BASE) – NEW FINISHES</i>	★	95-96
	<i>Stainless Base w/ Baffle Filters (SS-BASE) – Specs</i>		97-98
	<i>Pro Mesh (PML) Vents – Specs</i>		99-100
	<i>Pro Baffle (PBL) Vents – Specs</i>		101-102
	<i>PML – PBL – SS-BASE – Duct Height Guide</i>		103
	<i>Imperial Premium (IPL) Vents – Specs</i>		105-106
	<i>Imperial Standard (ISL) Vents – Specs</i>		107-108
	<i>IPL – ISL – Duct Height Guide</i>		109
	<i>General Vent Guidelines</i>		110
MODIFICATIONS/ ACCESSORIES	<i>Removable Options</i>		111-113
	<i>Curved and Straight Battens</i>		114
	<i>Applied Hardwood and Molding Wraps</i>		115
	<i>Sorrento Supports – Spice Rack Pull-Outs</i>		116
	<i>Corbels</i>		117-118

NEW –Available Now	Axton (AX-Series) – NEW	☆	15-16
	Ashland (A-Series)		17-18
	Birmingham (B-Series)		19-20
	Bristol (BX-Series)		21-22
	Britney (BXV-Series)		23-24
	Cambridge (C-Series)		25-26
	Charlotte (CX-Series)		27-28
	Dalton (D-Series)		29-30
	Elevation (E-Series)		31-32
	Elegance (E200-Series) previously named: E2		33-34
	Eastland (E300-Series) previously named: E3		35-36
NEW –Available Summer 2024	Erwin (ER200) – NEW Summer 2024	☆	39-40
NEW –Available Summer 2024	Erie (ER300) – NEW Summer 2024	☆	41-42
NEW –Available Summer 2024	Ericson (ER400) – NEW Summer 2024	☆	43-44
NEW –Available Summer 2024	Erdahl (ER500) – NEW Summer 2024	☆	45-46
NEW –Available Summer 2024	Ernston (ER600) – NEW Summer 2024	☆	47-48
	Fanfare (FX200-Series) previously named: FX2		49-50
	Foxcote (FX300-Series) previously named: FX		51-53
	Georgetown (G-Series)		55-56
	Thompson (GT-Series) previously named: T		57-58
	Hartford (H-Series)		59-60
	Huntington (H2-Series)		61-62
	Island (I-Series)		63-64
	Jacksonville (J-Series)		65-66
NEW –Available Now	Kingston (K200-Series) – NEW	☆	67-68
NEW –Available Now	Kilgore (K300-Series) - NEW	☆	69-70
	Lexington (L-Series)		71-72
	Lincoln (L2-Series)		73-74
	Madison (M-Series)		75-76
	Naples (N-Series)		77-78
	Plymouth (P-Series)		79-80
	Quebec (Q-Series)		81-82
NEW –Available Fall 2024	Saddlebrook (S-Series) – NEW Fall 2024	☆	83-84
	Springfield (S-Series)		85-86
	Washington (W-Series)		87-88
	Xavier (X-Series)		89-90
	Zenith (Z200)		91-92

BUILDING CODES - Each municipality has their own building codes. Those codes will supersede any recommendations made in this catalog. Please refer building code questions to your local inspector since they will be responsible for the interpretation of the code.

FINISHING – Stanisci Design does not offer any finishing, and are sanded to 180 grit. Hoods can be drop-shipped into the kitchen dealer or cabinet manufacturer you have specified.

PANELS – When ordering a hood with a door – you can pick any of the Framing Bead choices with any of the Panel Raises. For example: a shaker style door would be #445 / Flat #1997. See FAQ Page for available profile choices.

MOLDINGS – Many hood designs are available with several different molding styles: #1 Classical, #2 Simple or #3 Basic. Molding is along the base of hood – not the top crown. Top crown is supplied in field.

HOOD HEIGHT – Stanisci hoods should be mounted a minimum of 30” above the cooking surface (or 66” from the floor) unless the range manufacturer specifies more distance is needed.

CUSTOM SIZES – Stanisci hoods are built-to-order based on your specifications. Each hood series is offered in a range of standard sizes, or you can select an in-between size (custom widths may require an additional fillers charge).

PAINT GRADE – When choosing Paint Grade – please review specifications on the FAQ page for Paint Grade Materials. This information page will detail hood body construction and use of Hybrid Doors for this species. Maple is a stain grade species and **not** intended for painted applications. Finish issues related to painting Maple are not warrantable.

RENDERINGS - Libraries are available for most rendering software. See 'Rendering Software Libraries' of our website to download latest 2020 library, and instructions for accessing AutoKitchen and ProKitchen libraries. For other rendering software, please reach out to us for information.

MODIFICATIONS & ACCESSORIES – Please review the Modifications & Accessories section to see available options such as various Removable Options, Wood Battens, Sorrento Spice Racks and Corbel offerings.

VENTILATION OPTIONS - We have standard liners, Stainless Mesh and Stainless Baffle liners from 300-1200 cfm. We can also custom design hoods around most customer supplied vents.

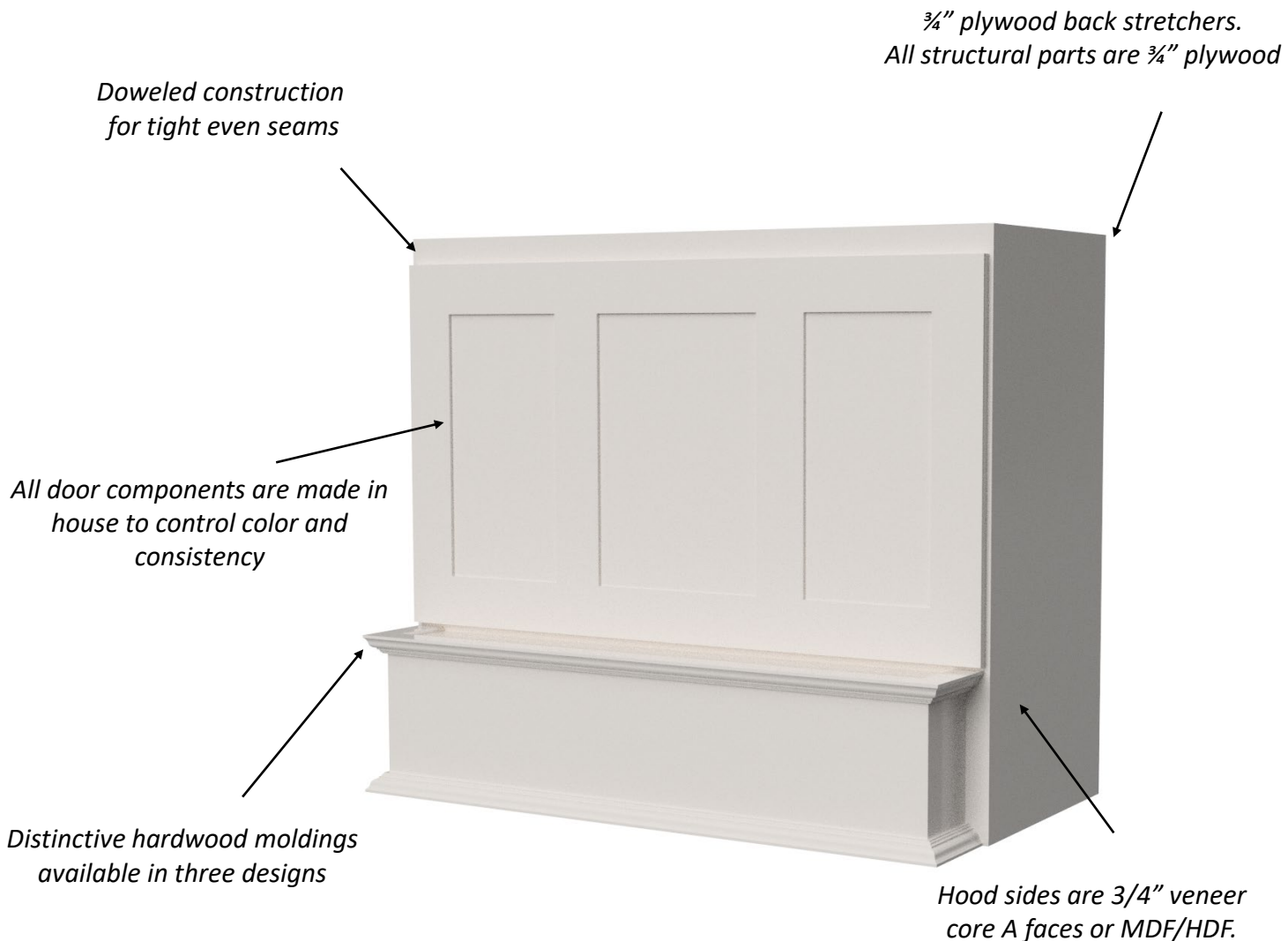
LEAD TIMES – Lead times range from 2 weeks for straight hoods, and 3 weeks for hoods with curve(s) and/or door panels. Lead times do not include shipping.

SHIPPING/ FREIGHT- Wood hoods ship LTL Freight in re-enforced crates, and any ventilation will be strapped to the top. Ventilation that ships separate from the wood hood is shipped Ground or LTL Freight. See ventilation specifications pages for specific details

SALES - Stanisci Design hoods are sold wholesale only exclusively to cabinetry professionals. Retail customers are welcome to reach out to us for questions, however we will not discuss pricing and order details.

TSCA / CARB - Our hoods are TSCA /CARB compliant and will come with all appropriate labels.

Stanisci Design uses only the finest materials. Range hoods often become the focal point of the kitchen. All solid wood components are hand selected for color. All Stanisci Design Products are TSCA (C.A.R.B) compliant. Hoods are sanded to 180 grit, ready to be finished.



Paint Grade Materials

The specifications below will provide information and define our Paint Grade species offering. This material selection is made from the best products available in the market and will give you superior results when painting.

MDF / HDF – Paint Grade will be constructed using for the body of the hood, 1/2” thick MDF or HDF with no veneer thus providing a smooth surface to paint. We are also utilizing a 3/4” thick plywood core with an 1/8” HDF (high density fiber) outer layer, commonly referred to as a Combi Core. Both materials present a smooth surface to finish and are considered the best materials on the market for painting. All molding and hardwood pieces will continue to be Paint Grade Hard Maple. All structural parts will continue to be 3/4” thick veneer core plywood.

Superior Surface for curved hoods – We use a bendable material exclusively designed for painting on all our curved hoods. This material is referred to as Superior Surface. It will be used on the curved section of the hood. This is a paintable man-made material which is impregnated with resin. This is a proprietary material which we have worked with our suppliers to develop for our curved hoods. It is very smooth, stable and has great adhesion.

Hybrid Doors – Doors will be constructed with a Paint Grade Hard Maple frame and MDF panels – raised or flat panels. Hybrid center panels have been tested extensively in the market and have proven to be effective in providing a more durable and superior product for painting. The machining on the hybrid MDF panel profiles is just as precise and clean cut as with solid wood panels. The Hybrid MDF panel provides a more stable product that does not expand and contract like a solid wood center panel. The elimination of center panel shrinking virtually eliminates raw material showing along the outside of a center panel as the seasons change. Eliminating expansion of the center panel also helps to reduce hairline cracks that may develop in the mortise and tenon joint of the door framing.

Paint Grade:

Hood/Cabinet Sides: 3/4” thick Combi Core Plywood

Mitered Portions: 1/2” thick MDF/HDF

Curved Sections: Superior Surface



Combi Core Plywood

Maple is hard and heavy with good strength properties, in particular it's high resistance to abrasion and wear. The raw wood color ranges from near white to a dark reddish brown. The wood has a close fine texture and is generally straight grained. Maple is stain grade Maple & **not** intended for Painted Applications. Finish issues related to painting Maple are not warrantable. Please use Paint Grade for all painted applications.

Alder is extremely soft hardwood of medium density. Colors range from light brown with a yellow tinge to light brown with a reddish tinge. Alder is fairly straight grained with a uniform texture. This wood may have pin knots and mineral streaks. Mineral streaks and other natural variations help create the personality of this product.

Rustic Alder material will allow for varying size knots & other sound characteristics including mineral streaks. Both sapwood & heartwood can be present in varying amounts.

Hickory is a very hard, very heavy and dense hardwood which demonstrates extreme variations in color from nearly white to dark brown. Grain patterns can be bold and prominent with irregular characteristics that are associated with tree growth. Burls, water stains, mineral streaks and sound knots are typical and are not considered defects.

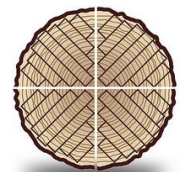
Cherry is considered a medium density wood with moderate weight and strength. The heartwood of cherry ranges from light to dark reddish brown while the sapwood may be near white. The heartwood darkens with age and light exposure, this change can be dramatic. Cherry has a fine and uniform grain pattern with a smooth texture. Acceptable characteristics include brown flecks, natural gum pockets, mineral streaks and pin knots.

Walnut is an exceptionally beautiful and stable hardwood whose traits are strongly defined throughout the history of woodworking. Grain patterns range from straight to varied; providing striking depth when finished in natural tones. This specie's coloration fluctuates from dark brown to a purplish black.

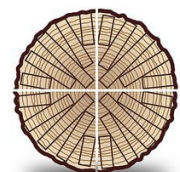
Plain Sawn White Oak is White Oak lumber is characterized by uneven cathedral grain that would be similar in appearance to Red Oak grain patterns. Plain Sawn White Oak however has a neutral light to medium brown color sometimes with an olive hue. Known for strength and durability.



Quarter Sawn White Oak is cut radially (90-degree angle from the growth rings) instead of with the grain and produces vertical and uniform grain lines that are straight, tight and run the length of the board, sometimes creating prominent ray flecks. Structural benefits include that it reduces twisting, warping and cupping, holds finishes better, and does not allow liquids to readily pass through it.



Rift Sawn White Oak is specifically cut White Oak lumber where logs are quartered, then sliced perpendicular to the growth rings of the tree. The resulting grain pattern is relatively straight, but the spacing between the grain will vary. This specie will have the normal color range of other White Oak variations, but the method of cutting eliminates cathedral grain, but allows limited amounts of mineral and pin knots to be present.



Red Oak / Quarter Sawn Red Oak is a hard, heavy wood which results in great wear resistance. Color ranges from white to light brown to a pinkish reddish brown. Red Oak will be plain sliced, Quarter Sawn Red Oak will be quarter sawn cut.

See hood series page for details.

Standard Base



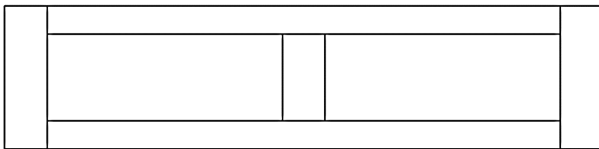
PL Base #3 Basic



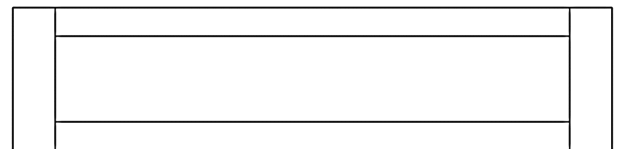
HW Base



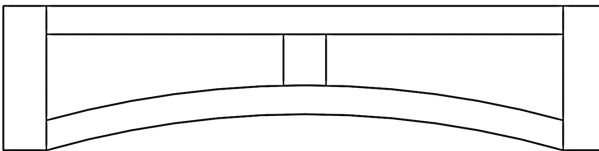
RS Base



RSS Base



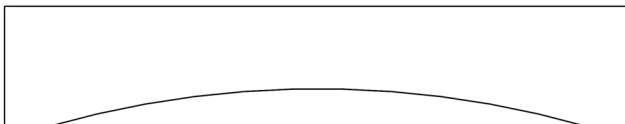
RA Base



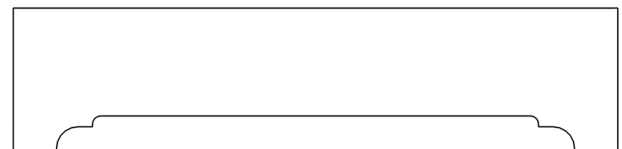
DP2 Base



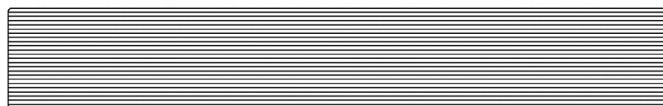
SL Base



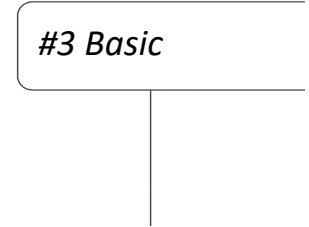
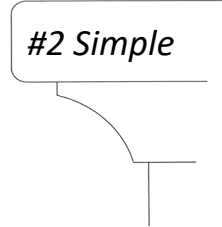
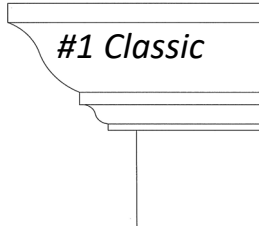
DP1 Base



METAL BAFFLE BASE – available in 17 different finishes
(see vent section for details)



Base Moldings Offered



A, E, G, GT, H, I, J, S, W (excludes HW or SS models)

PLEASE SELECT A MOLDING OPTION BELOW



#1 Classic



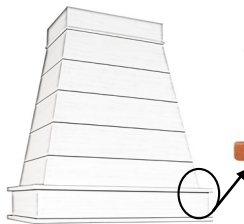
#2 Simple



#3 Basic

C, CX, E200, FX200, P, Z200 (excludes HW or SS models)

#3 BASIC IS DEFAULT MOLDING, #1 CLASSIC OR #2 SIMPLE AVAILABLE BY REQUEST.



#3 Basic - DEFAULT



#1 Classic



#2 Simple

THESE MODELS COME WITH #3 BASIC MOLDING UNLESS AN ALTERNATE OPTION HAS BEEN SELECTED

B, D, L, N, O, R, XRA (excludes HW or SS models)

PLEASE SELECT A MOLDING OPTION BELOW

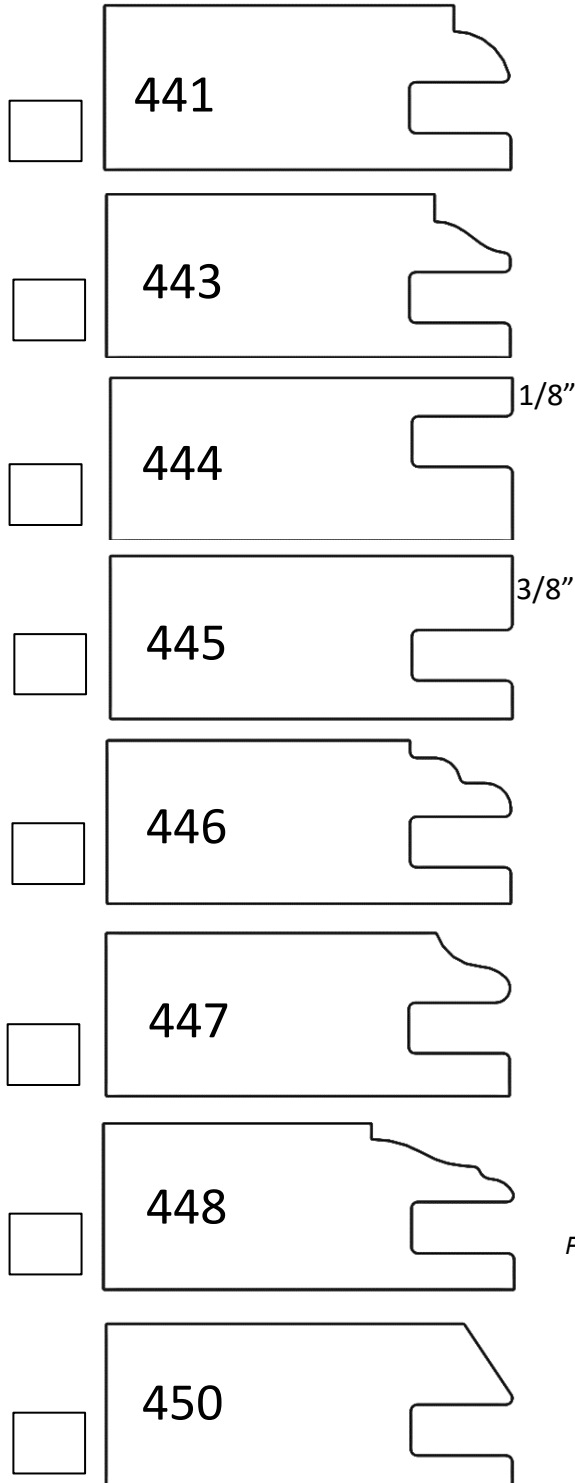


#1 Classic

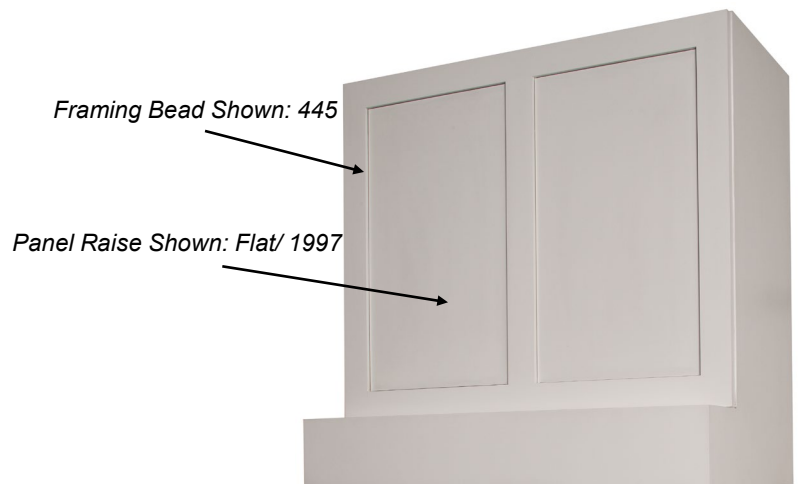
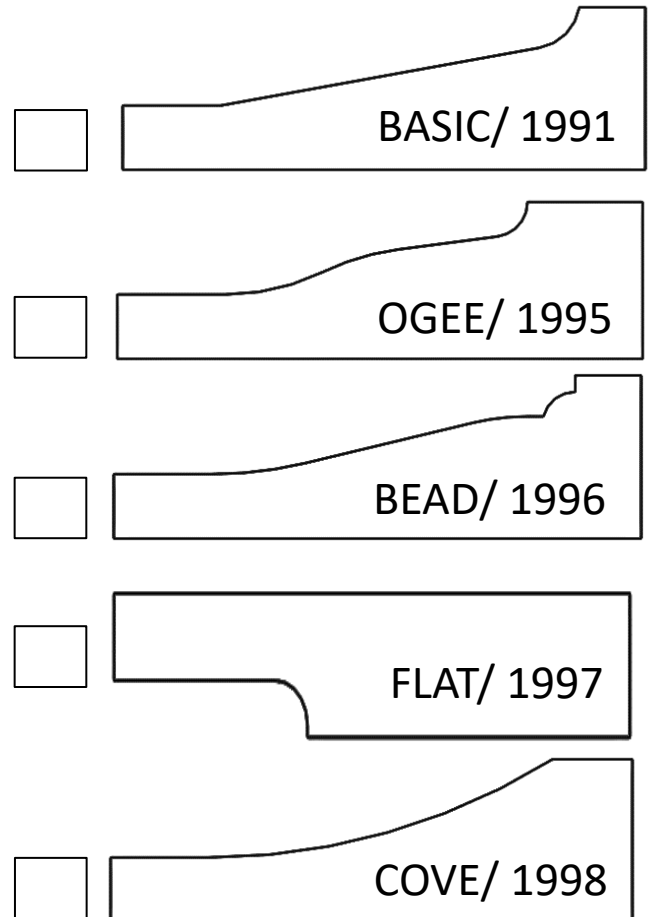


#2 Simple

FRAMING BEAD



PANEL RAISE



FREE – STANDING HOODS

Free-standing range hoods are mounted to the wall above the cooking surface, and stand alone from any adjacent cabinetry. These hoods will not have flush sides, and typically have design elements or decorative accents that prohibit a cabinet from being installed flush against the sides.



FREE-STANDING MODELS: AX, B, BXHW, C, CX, D, E, E200, ER200, ER600, FX200, G, GT, K200,

IN-SERIES HOODS

In-Series hoods are mounted to the wall above the cooking surface, and have completely flush sides. Moldings and decorative accents will not extend past the sides. This allows cabinetry to be installed on either side of the range hood to achieve a continuous design, but can also be used in a stand-alone design. .



IN-SERIES MODELS: A, BX, E300, ER300, ER400, ER500, FX300, J, K300, L2, M, N, P, Q, S, SB100, W, XRA, Z200

STANISCI DESIGN

700 South Glaspie St, Oxford, MI 48371
Phone: 248-572-6880

EMAIL TO: orders@wood-hood.com
FAX TO: 248-572-6884

ORDER

QUOTE ONLY

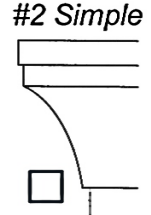
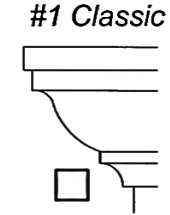
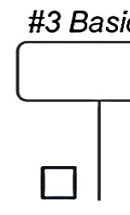
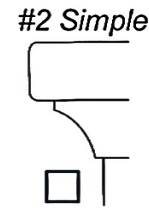
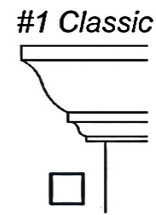
Contact Name: _____
Contact Email: _____@_____.com
PO#: _____
Job Name: _____

BILL TO:
Company Name: _____
Street Address: _____
City: _____ State: _____ Zip: _____
Phone: _____

SHIPPING TO: same as billing
Company Name: _____
Street Address: _____
City: _____ State: _____ Zip: _____
REF#: _____

	Hood – Item SKU	Species	Width	Height
1				
2				

BASE MOLDING



SERIES: A, E, G, GT, H, H2, I, J, S, W

SERIES: B, D, L, N, XRA

OPTIONS

- Removable Top RT (BXHW, BXVHW, C, CX, E, E200, FX200, G, GT)
- Removable Front RF (J, P, Z200)
- Applied Rem Panel ARP (C, CX, G, GT, I, J, P)
- Curved Battens (E, E200, E300, ER200, ER300, ER400, ER500, ER600)
- Straight Battens (FX200, FX300, P)

VENTILATION

MODERNAIRE PRO SERIES

Select Liner Style

Select Motor Option

- PRO MESH – PML
- PRO BAFFLE – PBL
- SM600/300 (600 CFM w/ optional 300 CFM reducer)
- SM1200 (1200 CFM)

IMPERIAL SERIES

- IMPERIAL STANDARD – ISL- 360 CFM (30 and 36 only)
- IMPERIAL PREMIUM – IPL – 635 CFM (36 and 42 only)
- IMPERIAL PREMIUM – IPL – 990 CFM (36, 42, and 48 only)

DOOR STYLES

<input type="checkbox"/>		441	FRAMING BEAD	PANEL RAISE	<input type="checkbox"/>		BASIC/1991
<input type="checkbox"/>		443			<input type="checkbox"/>		OGEE/1995
<input type="checkbox"/>		444		1/8"	<input type="checkbox"/>		BEAD/1996
<input type="checkbox"/>		445		3/8"	<input type="checkbox"/>		FLAT/1997
<input type="checkbox"/>		446			<input type="checkbox"/>		COVE/1998
<input type="checkbox"/>		447					
<input type="checkbox"/>		448					
<input type="checkbox"/>		450					

STANISCI DESIGN – HOOD QUOTE REQUEST FORM

EMAIL TO: SALES@WOOD-HOOD.COM

QUESTIONS? SEND US AN EMAIL OR CALL US AT 248-572-6880

COMPANY NAME:	
JOB NAME:	
CONTACT NAME / EMAIL:	
SHIPPING ADDRESS (if different than company address)	

WOOD HOOD DETAILS – You may also send in a sketch, drawing, or photo of your custom design.

HOOD SERIES/STYLE? (ex ERA or GHW)		
SIZE? (width x height)		
<input type="checkbox"/> PAINT GRADE	<input type="checkbox"/> RED OAK	<input type="checkbox"/> QTR SAWN RED OAK
<input type="checkbox"/> CHERRY	<input type="checkbox"/> HICKORY	<input type="checkbox"/> MAPLE
<input type="checkbox"/> PLAIN SAWN WHITE OAK	<input type="checkbox"/> QTR SAWN WHITE OAK	<input type="checkbox"/> RIFT SAWN WHITE OAK
<input type="checkbox"/> CLEAR ALDER	<input type="checkbox"/> RUSTIC ALDER	<input type="checkbox"/> WALNUT
REMOVABLE OPTION*? *Not available on all hood styles		
ANY SPECIAL MODIFICATIONS NEEDED?		

VENTILATION

<p style="text-align: center;">MODERN-AIRE VENTILATION</p> <p style="text-align: center;"><i>High-End Professional stainless steel ventilation custom-engineered for Stanisci Design Range Hoods.</i></p>	<p style="text-align: center;">Select Liner Style:</p> <p style="text-align: center;"><input type="checkbox"/> MESH (PML) OR <input type="checkbox"/> BAFFLE (PBL)</p> <p style="text-align: center;">Choose CFM Needed:</p> <p><input type="checkbox"/> SM600/300 – 600 CFM w/ optional 300 CFM reducer.</p> <p><input type="checkbox"/> SM1200 – 1200 CFM.</p>
<p style="text-align: center;">IMPERIAL VENTILATION</p> <p style="text-align: center;"><i>Stainless steel liners and motors manufactured and designed exclusively for Stanisci Design Range Hoods.</i></p>	<p><input type="checkbox"/> IMPERIAL STANDARD LINER at 360 CFM – 30” or 36” only</p> <p><input type="checkbox"/> IMPERIAL PREMIUM LINER at 635 CFM – 36” or 42” only</p> <p><input type="checkbox"/> IMPERIAL PREMIUM LINER at 990 CFM – 36, 42, and 48” only</p>
<p style="text-align: center;">CUSTOM VENT</p> <p style="text-align: center;"><i>With our custom vent option, we can modify our wood hoods to ensure it will fit your non-Stanisci vent.</i></p>	<p><input type="checkbox"/> YES</p> <p>VENT MODEL*: _____</p> <p>*Vent model not required until time of order. We cannot design around Thermador VCIN or GE UVC9420SLSS/ UVC9480SLSS</p>
<p><input type="checkbox"/> I do not need ventilation or vent customization</p>	

COMMENTS:

STANISCI DESIGN – VENTILATION QUOTE REQUEST FORM

EMAIL TO: SALES@WOOD-HOOD.COM

QUESTIONS? SEND US AN EMAIL OR CALL US AT 248-572-6880

COMPANY NAME:	
JOB NAME:	
CONTACT NAME / EMAIL	
SHIPPING ADDRESS If different then company address	

WHAT HOOD STYLE DOES THIS VENT NEED TO FIT?

WOOD HOOD SERIES/STYLE BEING ORDERED?	
SIZE OF WOOD HOOD? (width x height)	
COMPANY WOOD HOOD IS BEING ORDERED THROUGH:	

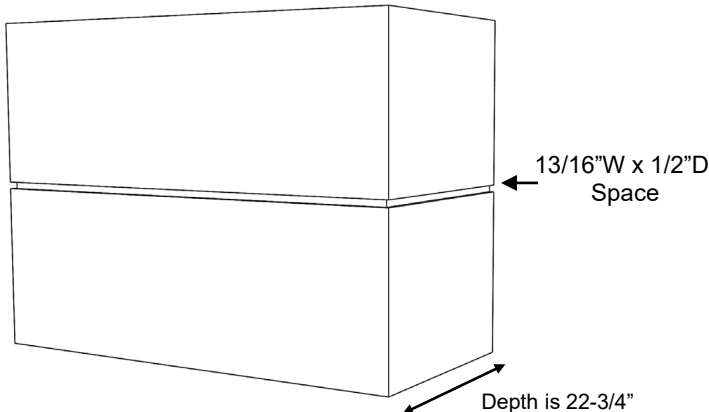
WHAT VENT SYSTEM IS NEEDED?

MODERN-AIRE VENTILATION <i>High-End Professional stainless steel ventilation custom-engineered for Stanisci Design Range Hoods.</i>	Select Liner Style: <input type="checkbox"/> MESH (PML) OR <input type="checkbox"/> BAFFLE (PBL) Choose CFM Needed: <input type="checkbox"/> SM600/300 – 600 CFM w/ optional 300 CFM reducer. <input type="checkbox"/> SM1200 – 1200 CFM.
IMPERIAL VENTILATION <i>Stainless steel liners and motors manufactured and designed exclusively for Stanisci Design Range Hoods.</i>	<input type="checkbox"/> IMPERIAL STANDARD LINER at 360 CFM – 30" or 36" only <input type="checkbox"/> IMPERIAL PREMIUM LINER at 635 CFM – 36" or 42" only <input type="checkbox"/> IMPERIAL PREMIUM LINER at 990 CFM – 36, 42, and 48" only

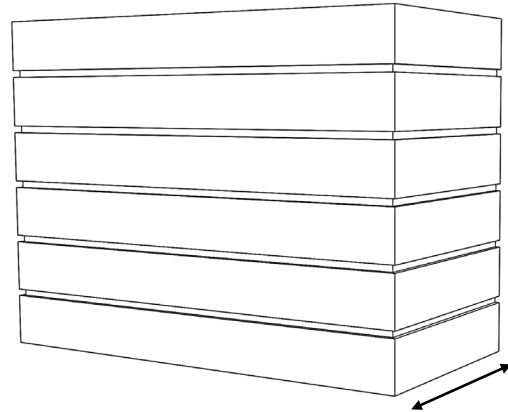
COMMENTS: <hr/> <hr/>



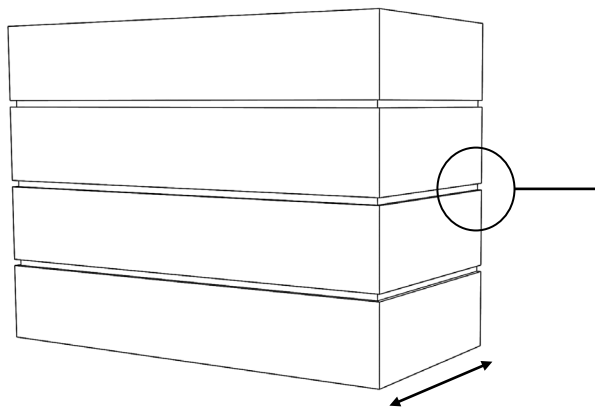
This page left intentionally blank



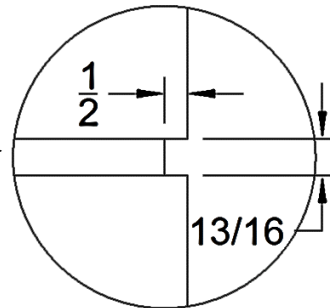
AX shown with 2 slats (AX-2)



AX shown with 6 slats (AX-6) Depth is 22-3/4"



AX shown with 4 slats (AX-4) Depth is 22-3/4"



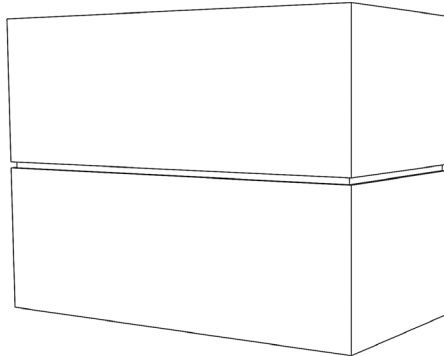
AX Series

Standard Widths	31, 37, 43, 49, 55, 61 (Reduced widths available)
Standard Heights	24, 30, 36, 42, 48 (Reduced heights available)
Removable Options	Not Available
Standard assumptions	Slat spacing is 13/16" (designed to yield 3/4" W x 1/2" D space after finish applied.) All slats will be equal height Average weight could exceed 100 pounds. Hood must be properly anchored to the wall
Ventilation	Hood must be a minimum of 1" wider than available vent width. Example: To use a 36" vent model, the hood should be a minimum of 37" wide
Grain Direction	Horizontal

Standard Heights: 24, 30, 36, 42, 48

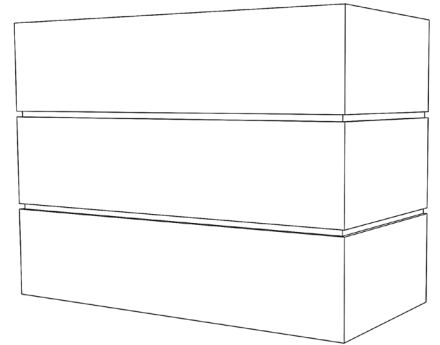
AX - 2 Slat

- AX-2 31
- AX-2 37
- AX-2 43
- AX-2 49
- AX-2 55
- AX-2 61



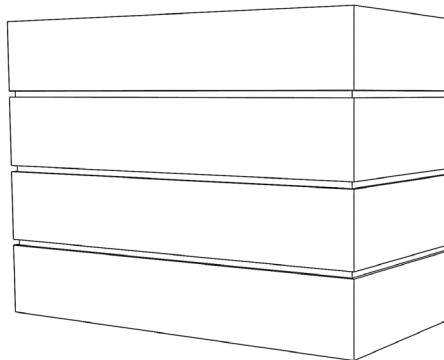
AX - 3 Slat

- AX-3 31
- AX-3 37
- AX-3 43
- AX-3 49
- AX-3 55
- AX-3 61



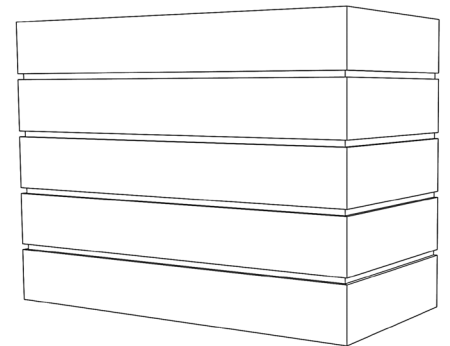
AX - 4 Slat

- AX-4 31
- AX-4 37
- AX-4 43
- AX-4 49
- AX-4 55
- AX-4 61



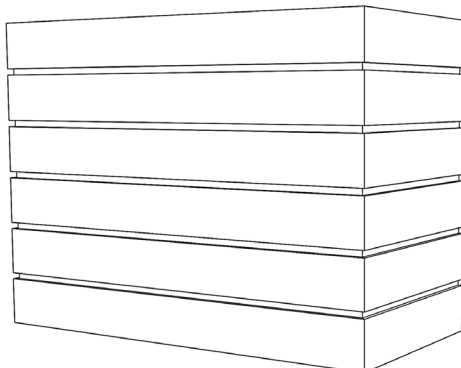
AX - 5 Slat

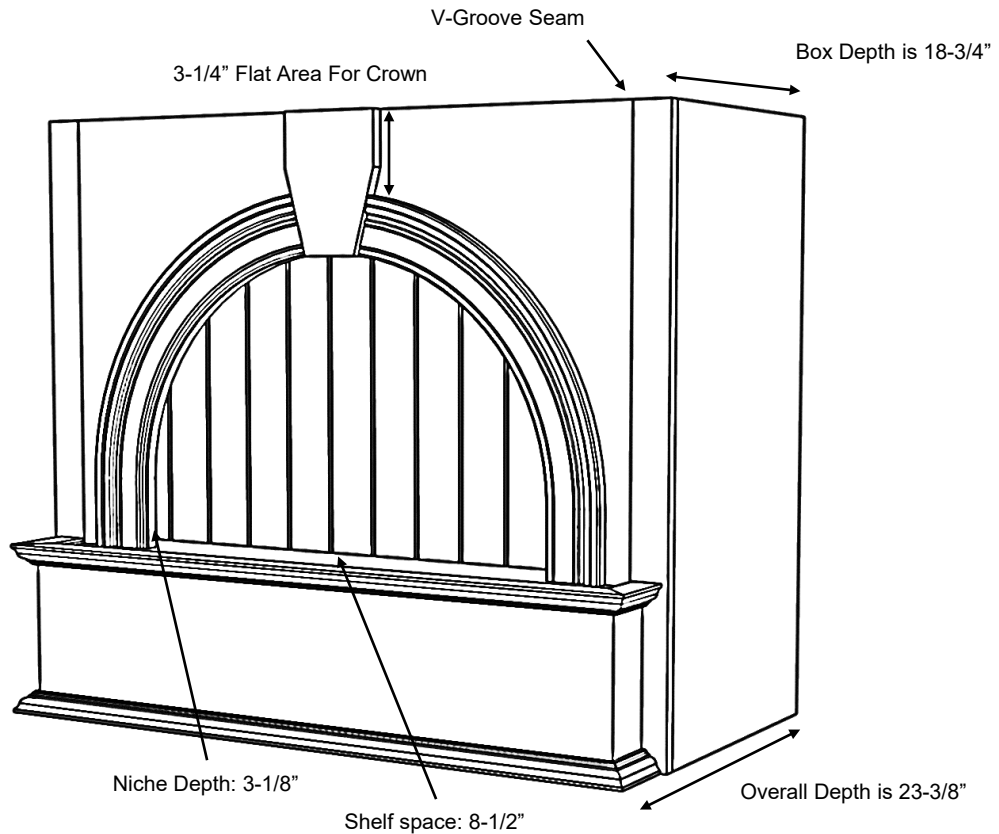
- AX-5 31
- AX-5 37
- AX-5 43
- AX-5 49
- AX-5 55
- AX-5 61



AX - 6 Slat

- AX-6 31
- AX-6 37
- AX-6 43
- AX-6 49
- AX-6 55
- AX-6 61





*A Series shown with Standard Base (A)
and #1 Classic moldings*

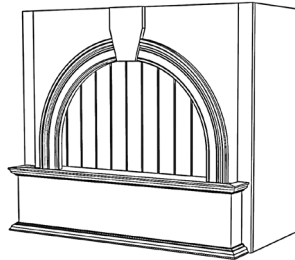
A Series

Standard Widths	33, 36, 39, 42, 45, 48, 51, 54, 57, 60, 63 (Reduced widths available)
Standard Heights	30, 36, 42, 48 (Reduced heights available)
Removable Options	Removable Panel is standard (Two seams in beading to allow for access) Non-bead panel by request – will not be removable (NBNA) - see modifications section.
Ventilation	Hood must be a minimum of 3" wider than available vent width. Example: To use a 36" vent model, the hood should be a minimum of 39" wide.
Available Moldings	#1 Classic, #2 Simple, #3 Basic
Grain Direction	Vertical (Base is horizontal)

Standard Heights: 30, 36, 42, 48

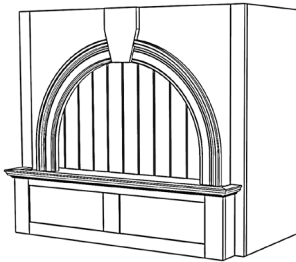
A- Standard Base

- A 33
- A 36
- A 39
- A 42
- A 45
- A 48
- A 51
- A 54
- A 57
- A 60
- A 63



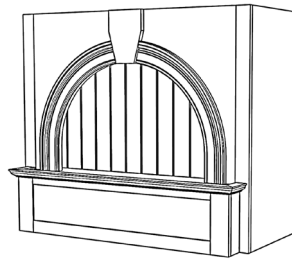
A- RS Base

- ARS 33
- ARS 36
- ARS 39
- ARS 42
- ARS 45
- ARS 48
- ARS 51
- ARS 54
- ARS 57
- ARS 60
- ARS 63



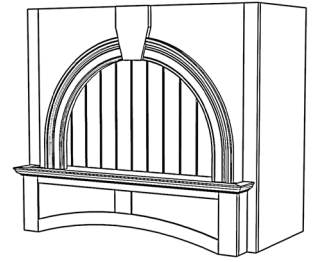
A- RSS Base

- ARSS 33
- ARSS 36
- ARSS 39
- ARSS 42
- ARSS 45
- ARSS 48
- ARSS 51
- ARSS 54
- ARSS 57
- ARSS 60
- ARSS 63



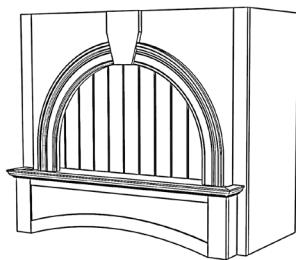
A- RA Base

- ARA 33
- ARA 36
- ARA 39
- ARA 42
- ARA 45
- ARA 48
- ARA 51
- ARA 54
- ARA 57
- ARA 60
- ARA 63



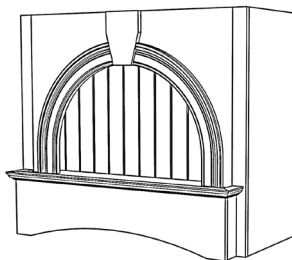
A- DP2 Base

- ADP2 33
- ADP2 36
- ADP2 39
- ADP2 42
- ADP2 45
- ADP2 48
- ADP2 51
- ADP2 54
- ADP2 57
- ADP2 60
- ADP2 63



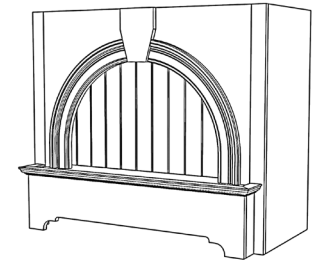
A- SL Base

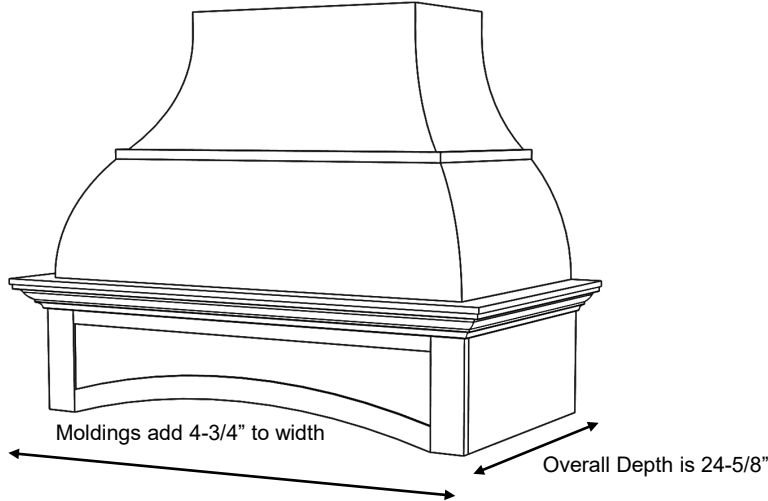
- ASL 33
- ASL 36
- ASL 39
- ASL 42
- ASL 45
- ASL 48
- ASL 51
- ASL 54
- ASL 57
- ASL 60
- ASL 63



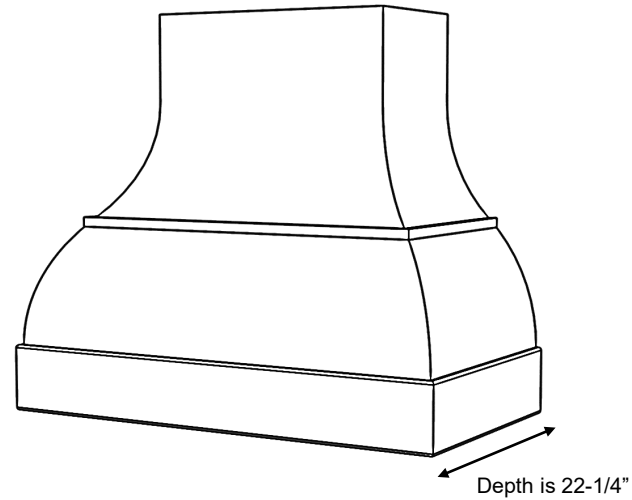
A- DP1 Base

- ADP1 33
- ADP1 36
- ADP1 39
- ADP1 42
- ADP1 45
- ADP1 48
- ADP1 51
- ADP1 54
- ADP1 57
- ADP1 60
- ADP1 63

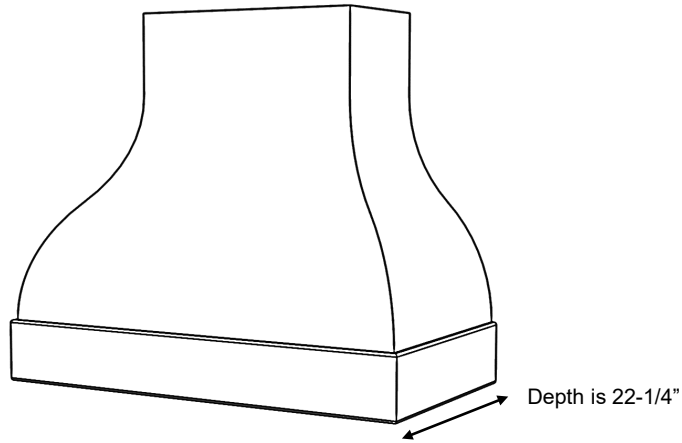




*B Series shown with DP2 Base (BDP2)
and #1 Classic moldings*



B Series shown with Hardwood Base (BHW)



*B Series shown with Hardwood Base (BHW)
and R.U.M. option*

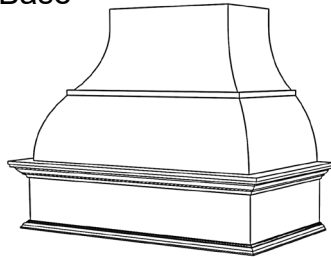
B Series

Standard Widths	36, 42, 48, 54, 60 (Reduced widths available)
Standard Heights	30, 36, 42, 48 (Reduced heights available)
Removable Options	Not Available
Available Options	Remove Upper Molding - request R.U.M. option
Ventilation	Hood will be same width as available vent width. Example: To use a 36" vent model, the hood should be a minimum of 36" wide.
Available Moldings	#1 Classic, #2 Simple
Grain Direction	Vertical (Base is horizontal)

Standard Heights: 30, 36, 42, 48

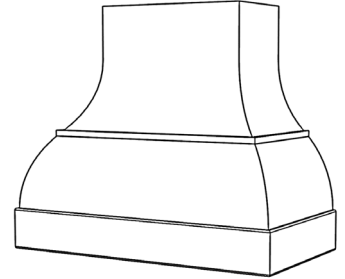
B- Standard Base

- B 36
- B 42
- B 48
- B 54
- B 60



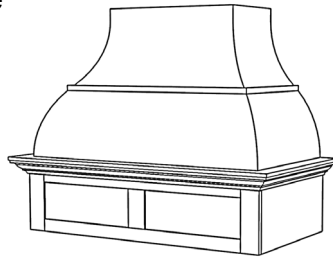
B- Hardwood Base

- BHW 36
- BHW 42
- BHW 48
- BHW 54
- BHW 60



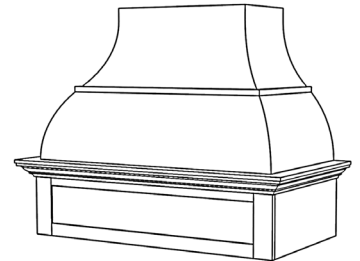
B- RS Base

- BRS 36
- BRS 42
- BRS 48
- BRS 54
- BRS 60



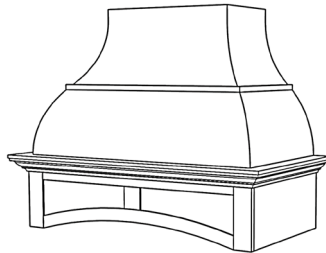
B- RSS Base

- BRSS 36
- BRSS 42
- BRSS 48
- BRSS 54
- BRSS 60



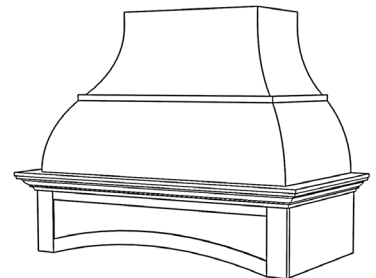
B- RA Base

- BRA 36
- BRA 42
- BRA 48
- BRA 54
- BRA 60



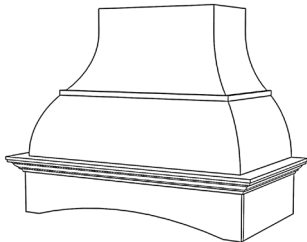
B- DP2 Base

- BDP2 36
- BDP2 42
- BDP2 48
- BDP2 54
- BDP2 60



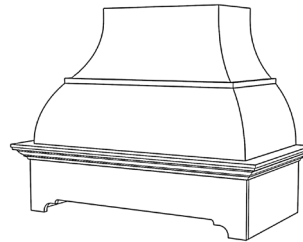
B- SL Base

- BSL 36
- BSL 42
- BSL 48
- BSL 54
- BSL 60



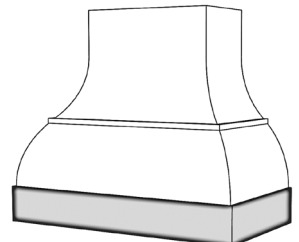
B- DP1 Base

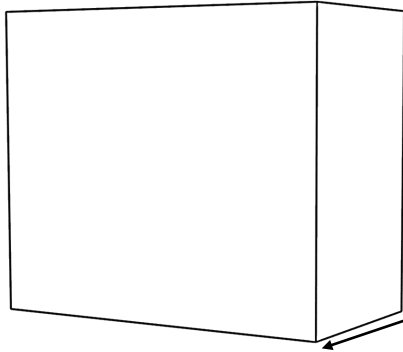
- BDP1 36
- BDP1 42
- BDP1 48
- BDP1 54
- BDP1 60



B- SS Base

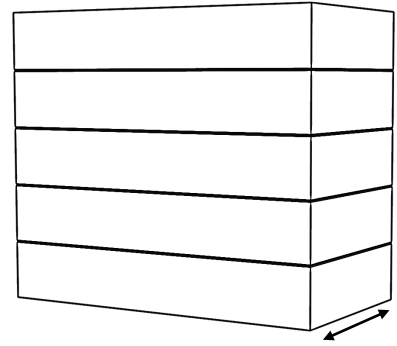
- BSS 36
- BSS 42
- BSS 48
- BSS 54
- BSS 60





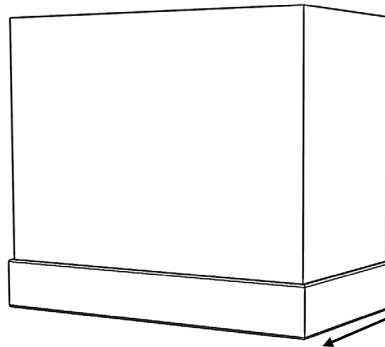
Depth is 22-1/4"

Standard BX Series (BX)



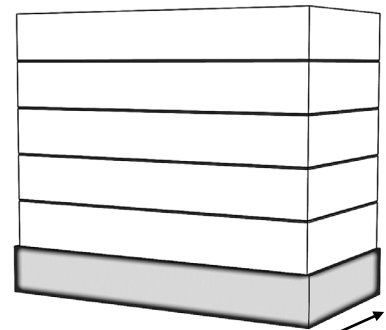
Depth is 22-1/4"

BX Series shown with Horizontal Beading (BXHB)



Depth is 22-1/4"

BX Series shown with Hardwood Base (BXHW)



Depth is 22-1/4"

BX Series shown with Horizontal Beading and Stainless Steel Base (BXHBSS)



Close up of V-groove "Horizontal bead" option

BX Series

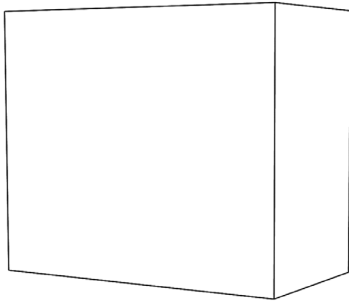
Standard Widths	30, 36, 42, 48, 54, 60 (Reduced widths available)
Standard Heights	24, 30, 36, 42, 48 (Reduced heights available)
Removable Options	Removable Top (RT) available on BXHW or BXHWHB only– see modifications section.
Available Options	Applied Molding Wrap – BX and BXB only (See options page) Applied Hardwood Wrap (See options page)
Ventilation	Hood will be same width as available vent width. Example: To use a 36" vent model, the hood should be a minimum of 36" wide
Grain Direction	Horizontal

700 South Gaspie Street • Oxford, MI 48371 • (248) 572-6880 • email: sales@wood-hood.com • www.wood-hood.com

Standard Heights: 24, 30, 36, 42, 48

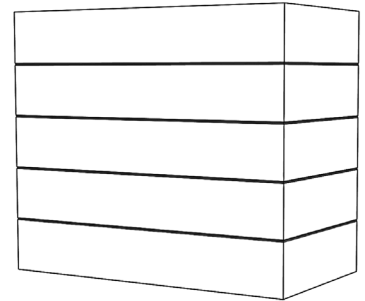
BX- Standard Hood

- BX 30
- BX 36
- BX 42
- BX 48
- BX 54
- BX 60



BX- Horizontal Beading

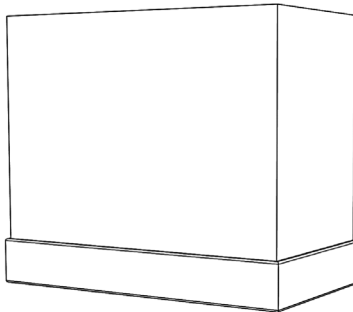
- BXHB 30
- BXHB 36
- BXHB 42
- BXHB 48
- BXHB 54
- BXHB 60



24" tall: 3 beads (4 sections)
 30-36" tall: 4 beads (5 sections)
 42-48" tall: 5 beads (6 sections)

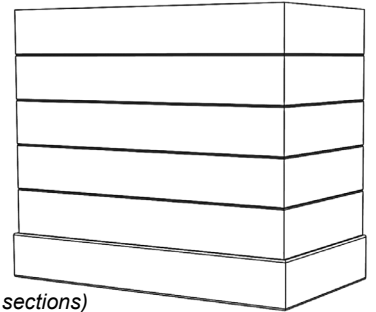
BX- HW Base

- BXHW 30
- BXHW 36
- BXHW 42
- BXHW 48
- BXHW 54
- BXHW 60



BX- Hardwood Base, Horizontal Beading

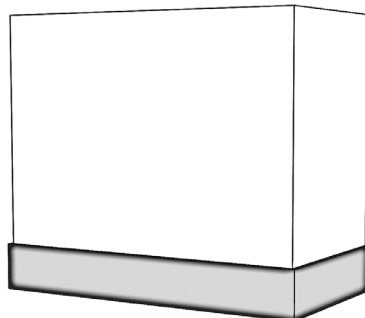
- BXHWHB 30
- BXHWHB 36
- BXHWHB 42
- BXHWHB 48
- BXHWHB 54
- BXHWHB 60



24-30" tall: 3 beads (4 sections)
 36-42" tall: 4 beads (5 sections)
 48" tall: 5 beads (6 sections)

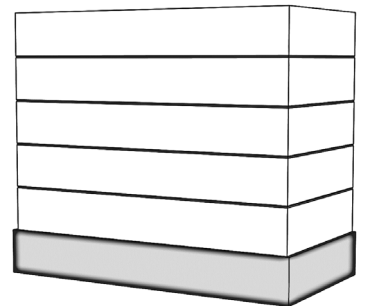
BX- SS Base

- BXSS 30
- BXSS 36
- BXSS 42
- BXSS 48
- BXSS 54
- BXSS 60

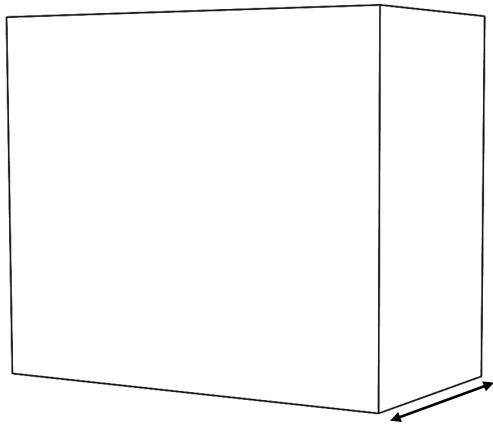


BX- SS Base, Horizontal Beading

- BXSSHB 30
- BXSSHB 36
- BXSSHB 42
- BXSSHB 48
- BXSSHB 54
- BXSSHB 60

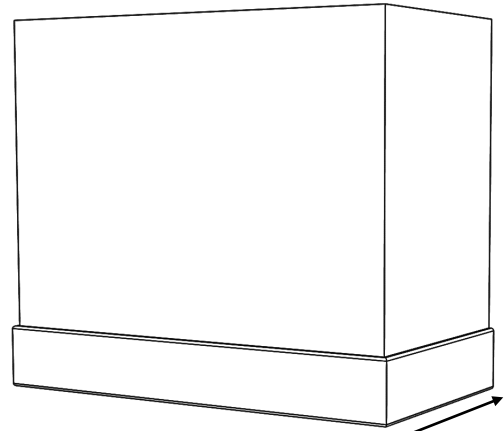


24-30" tall: 3 beads (4 sections)
 36-42" tall: 4 beads (5 sections)
 48" tall: 5 beads (6 sections)



Depth is 22-1/4"

Standard BXV Series (BXV)



Depth is 22-1/4"

BX Series shown with Hardwood Base (BXVHW)



Depth is 22-1/4"

BXV Series shown with Stainless Steel Base (BXVSS)

BXV Series

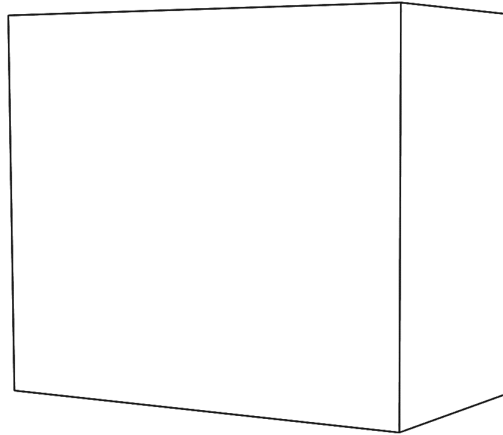
Standard Widths	30, 36, 42, 48 (Reduced widths available)
Standard Heights	24, 30, 36, 42, 48, 54, 60 (Reduced heights available)
Removable Options	Removable Top (RT) is available on BXVHW only – see modifications section.
Available Options	Applied Molding wrap – BXV only (See options page) Applied Hardwood Wrap – BXV only (See options page)
Ventilation	Hood will be same width as available vent width. Example: To use a 36" vent model, the hood should be a minimum of 36" wide
Grain Direction	Vertical (Base is Horizontal)

700 South Gaspie Street • Oxford, MI 48371 • (248) 572-6880 • email: sales@wood-hood.com • www.wood-hood.com

Standard Heights: 24, 30, 36, 42, 48, 54, 60

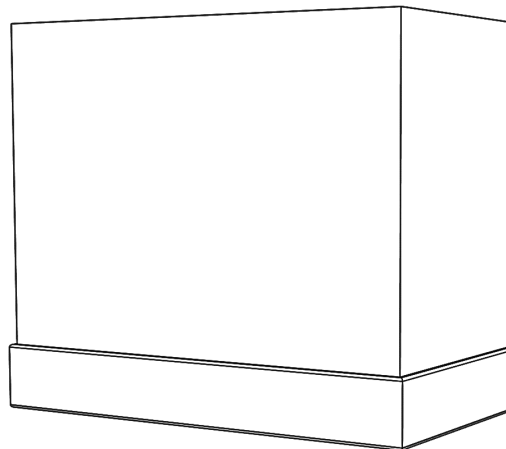
BXV- Standard Hood

- BXV 30
- BXV 36
- BXV 42
- BXV 48



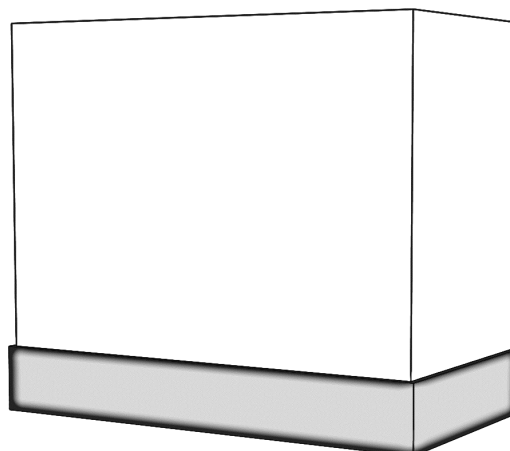
BXV- HW Base

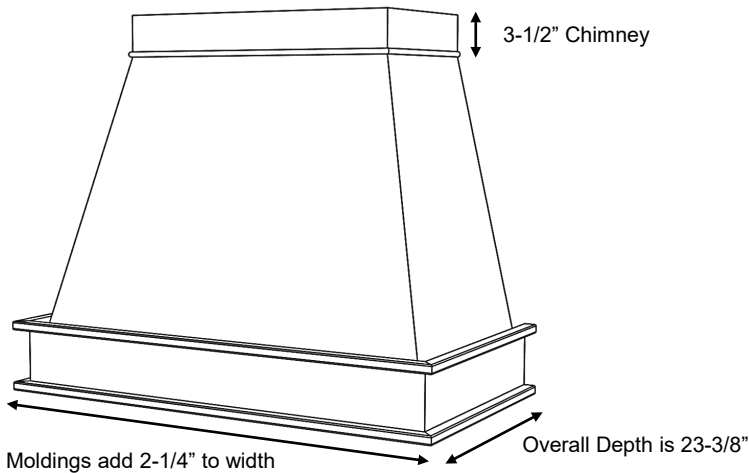
- BXVHW 30
- BXVHW 36
- BXVHW 42
- BXVHW 48



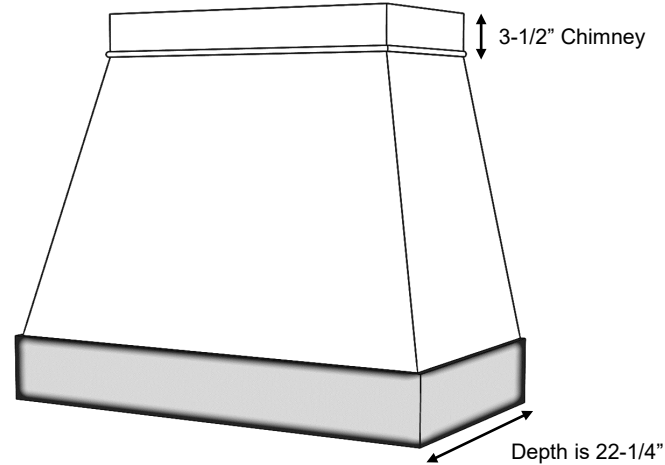
BXV- SS Base

- BXVSS 30
- BXVSS 36
- BXVSS 42
- BXVSS 48

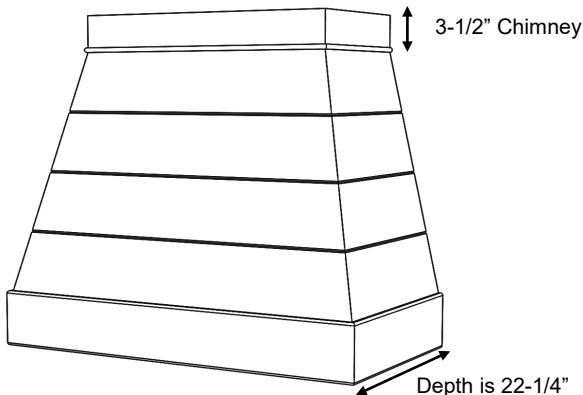




C Series shown with PL Base (CPL) and #3 Basic moldings



C Series shown with Stainless Steel Base (CSS)



C Series shown with HW Base (CHWHB) and Horizontal Beading



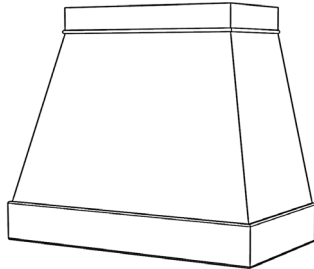
C Series

Standard Widths	30, 36, 42, 48, 54, 60 (Reduced widths available)
Standard Heights	24, 30, 36, 42, 48, 54 (Reduced heights available)
Removable Options	Removable Top (RT) – see modifications section. Applied Removable Panel (ARP) – see modifications section.
Ventilation	Hood will be same width as available vent width. Example: To use a 36" vent model, the hood should be a minimum of 36" wide
Available Moldings	#3 Basic is standard #1 Classic or #2 Simple available upon request
Grain Direction	Horizontal Vertical grain available on a custom quote basis

Standard Heights: 24, 30, 36, 42, 48, 54

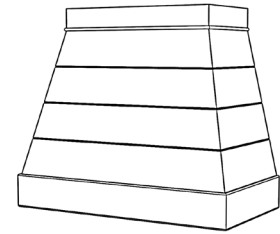
C- Hardwood Base

- CHW 30
- CHW 36
- CHW 42
- CHW 48
- CHW 54
- CHW 60



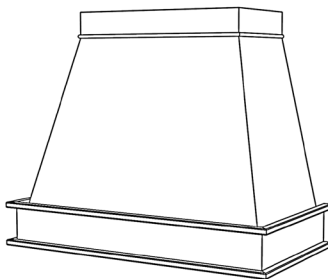
C-Hardwood Base, Horizontal Beading *

- CHWHB 30
- CHWHB 36
- CHWHB 42
- CHWHB 48
- CHWHB 54
- CHWHB 60



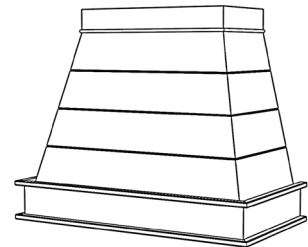
C- PL Base

- CPL 30
- CPL 36
- CPL 42
- CPL 48
- CPL 54
- CPL 60



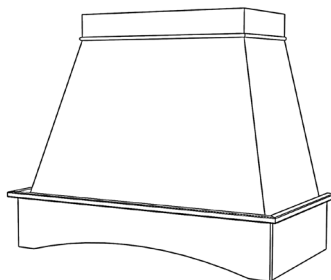
C- PL Base, Horizontal Beading *

- CPLHB 30
- CPLHB 36
- CPLHB 42
- CPLHB 48
- CPLHB 54
- CPLHB 60



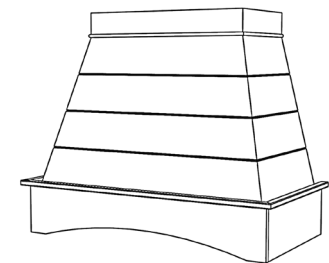
C- SL Base

- CSL 30
- CSL 36
- CSL 42
- CSL 48
- CSL 54
- CSL 60



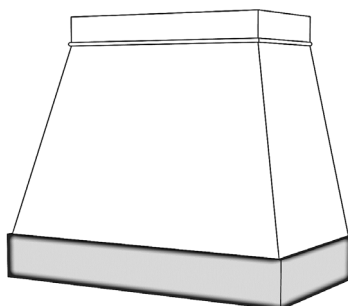
C- SL Base, Horizontal Beading *

- CSLHB 30
- CSLHB 36
- CSLHB 42
- CSLHB 48
- CSLHB 54
- CSLHB 60



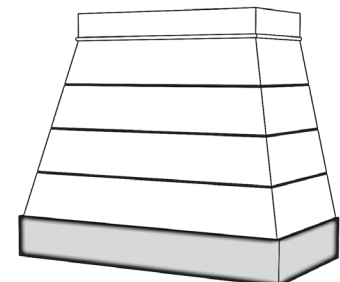
C- SS Base

- CSS 30
- CSS 36
- CSS 42
- CSS 48
- CSS 54
- CSS 60



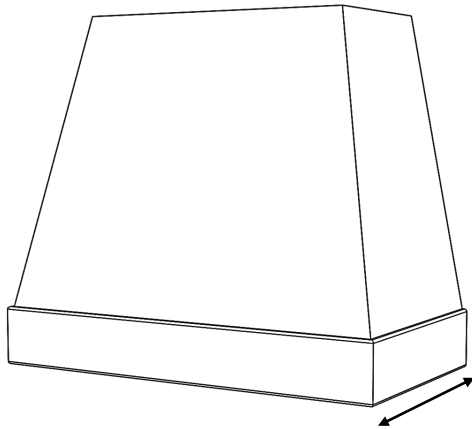
C- SS Base, Horizontal Beading *

- CSSH 30
- CSSH 36
- CSSH 42
- CSSH 48
- CSSH 54
- CSSH 60



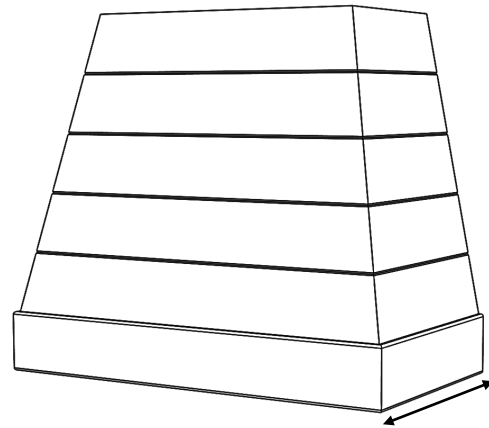
*** # of Beads**

- 24" tall: 2 beads (3 sections)
- 30"-36" tall: 3 beads (4 sections)
- 42" tall: 4 beads (5 sections)
- 48"-54" tall: 5 beads (6 sections)



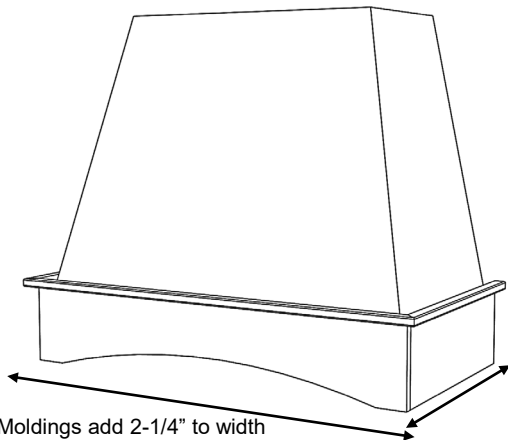
Depth is 22-1/4"

CX Series shown with Hardwood Base (CXHW)



Depth is 22-1/4"

CX Series shown with Hardwood Base and Horizontal Beading (CXHWB)



Overall Depth is 23-3/8"

Moldings add 2-1/4" to width

CX Series shown with SL Base (CXSL) and #3 Basic moldings

Close up of V-groove "Horizontal bead" option

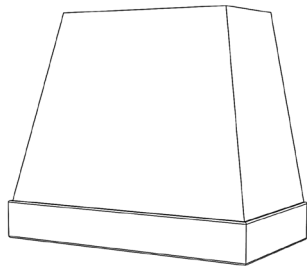
CX Series

Standard Widths	30, 36, 42, 48, 54, 60 (Reduced widths available)
Standard Heights	24, 30, 36, 42, 48 (Reduced heights available)
Removable Options	Removable Top (RT) – see modifications section. Applied Removable Panel (ARP) – see modifications section.
Ventilation	Hood will be same width as available vent width. Example: To use a 36" vent model, the hood should be a minimum of 36" wide.
Available Moldings	#3 Basic is standard #1 Classic or #2 Simple available upon request
Grain Direction	Horizontal Vertical grain available on a custom quote basis

Standard Heights: 24, 30, 36, 42, 48

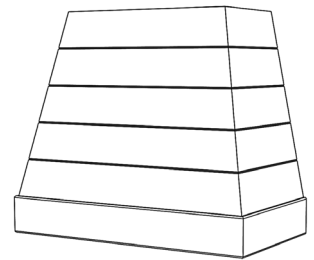
CX- Hardwood Base

- CXHW 30
- CXHW 36
- CXHW 42
- CXHW 48
- CXHW 54
- CXHW 60



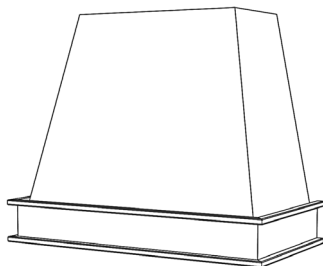
CX- Hardwood Base, Horizontal Beading *

- CXHWHB 30
- CXHWHB 36
- CXHWHB 42
- CXHWHB 48
- CXHWHB 54
- CXHWHB 60



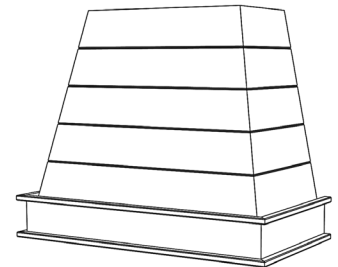
CX- PL Base

- CXPL 30
- CXPL 36
- CXPL 42
- CXPL 48
- CXPL 54
- CXPL 60



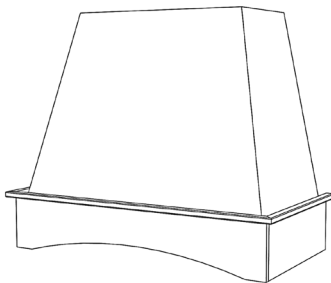
CX- PL Base, Horizontal Beading *

- CXPLHB 30
- CXPLHB 36
- CXPLHB 42
- CXPLHB 48
- CXPLHB 54
- CXPLHB 60



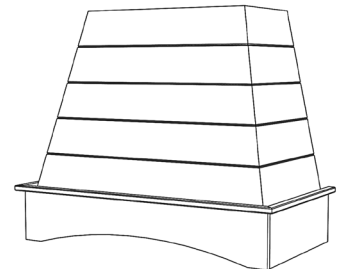
CX- SL Base

- CXSL 30
- CXSL 36
- CXSL 42
- CXSL 48
- CXSL 54
- CXSL 60



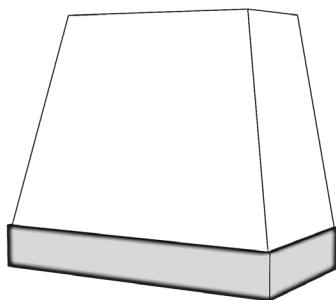
CX- SL Base, Horizontal Beading *

- CXSLHB 30
- CXSLHB 36
- CXSLHB 42
- CXSLHB 48
- CXSLHB 54
- CXSLHB 60



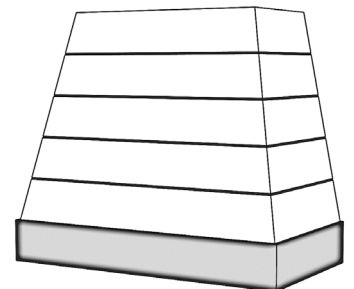
CX- SS Base

- CXSS 30
- CXSS 36
- CXSS 42
- CXSS 48
- CXSS 54
- CXSS 60



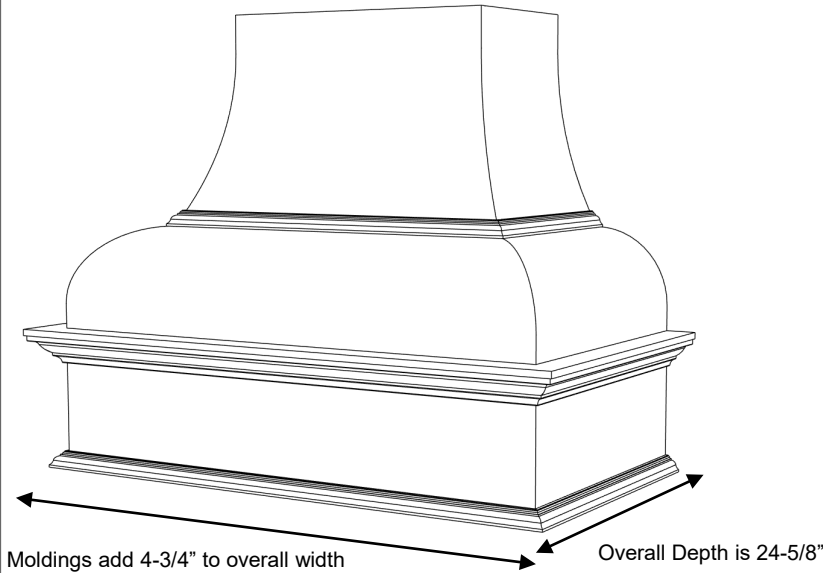
CX- SS Base, Horizontal Beading *

- CXSSHB 30
- CXSSHB 36
- CXSSHB 42
- CXSSHB 48
- CXSSHB 54
- CXSSHB 60

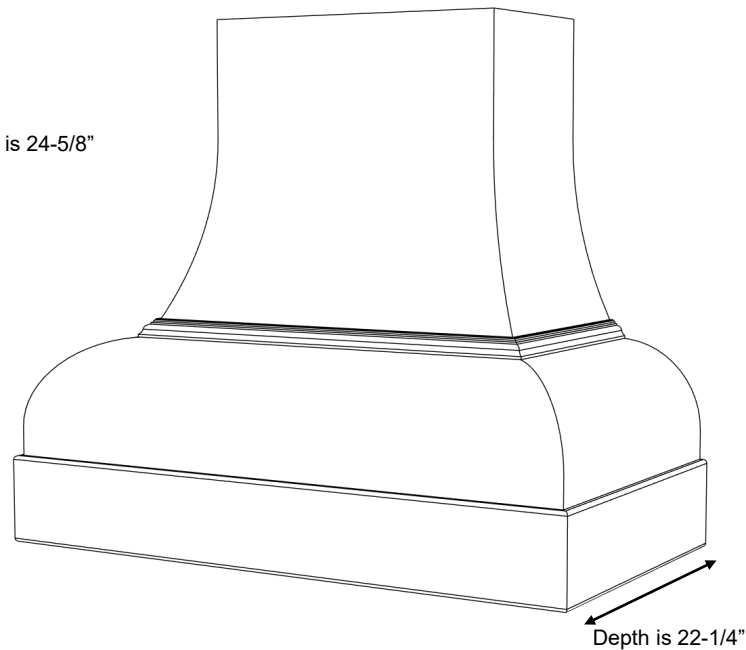


* # of Beads

24-30" tall: 3 beads (4 sections)
 36-42" tall: 4 beads (5 sections)
 48" tall: 5 beads (6 sections)



*D Series shown with Standard Base (D)
and #1 Classic moldings*



D Series shown with Hardwood Base (DHW)

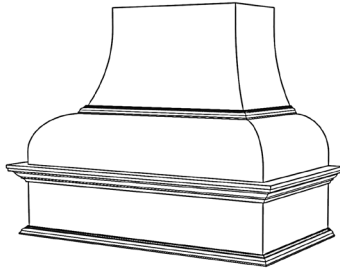
D Series

Standard Widths	36, 42, 48, 54, 60 (Reduced widths available)
Standard Heights	30, 36, 42, 48 (Reduced heights available)
Removable Options	Not available
Ventilation	Hood will be same width as available vent width. Example: To use a 36" vent model, the hood should be a minimum of 36" wide
Available Moldings	#1 Classic, #2 Simple
Grain Direction	Vertical (Base is horizontal)

Standard Heights: 30, 36, 42, 48

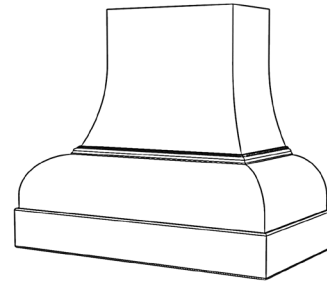
D- Standard Base

D 36
D 42
D 48
D 54
D 60



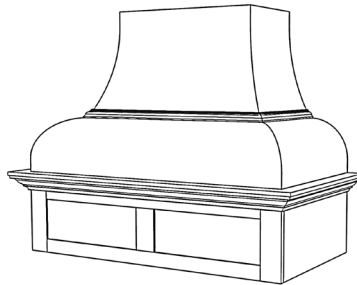
D- Hardwood Base

DHW 36
DHW 42
DHW 48
DHW 54
DHW 60



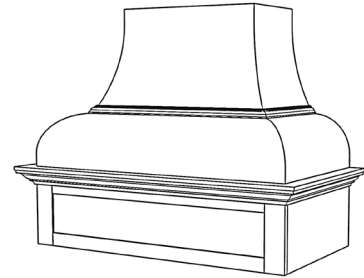
D- RS Base

DRS 36
DRS 42
DRS 48
DRS 54
DRS 60



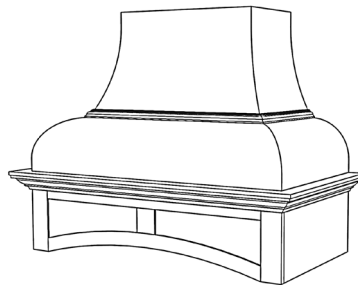
D- RSS Base

DRSS 36
DRSS 42
DRSS 48
DRSS 54
DRSS 60



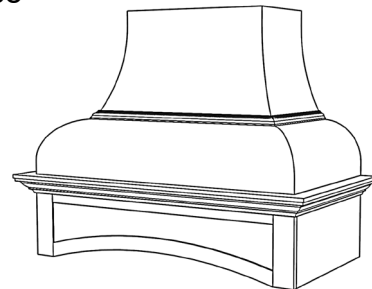
D- RA Base

DRA 36
DRA 42
DRA 48
DRA 54
DRA 60



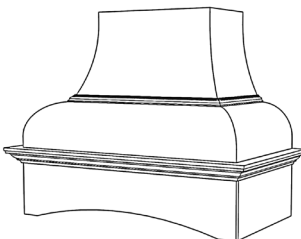
D- DP2 Base

DDP2 36
DDP2 42
DDP2 48
DDP2 54
DDP2 60



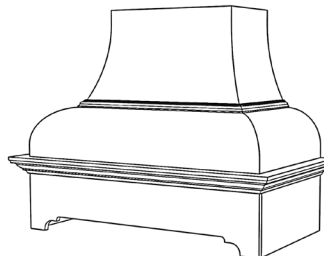
D- SL Base

DSL 36
DSL 42
DSL 48
DSL 54
DSL 60



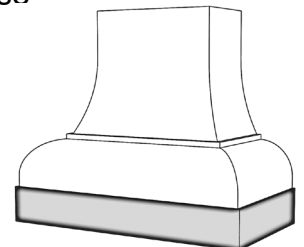
D- DP1Base

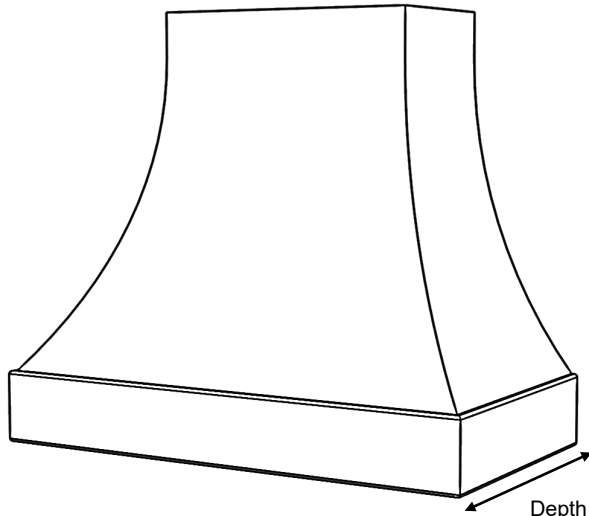
DDP1 36
DDP1 42
DDP1 48
DDP1 54
DDP1 60



D- SS Base

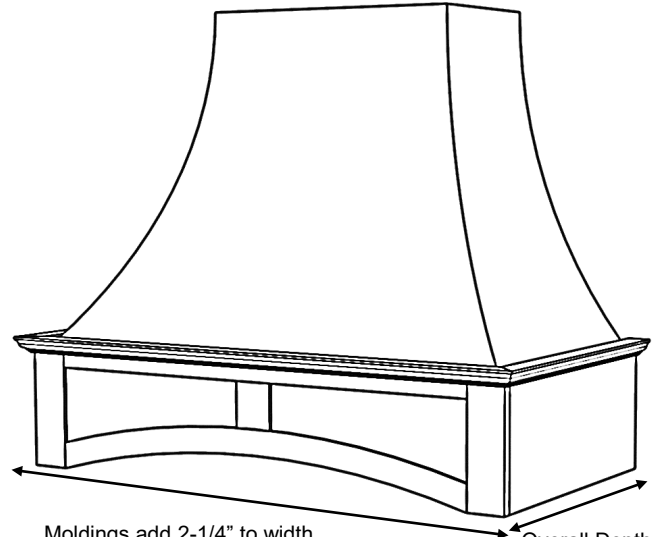
DSS 36
DSS 42
DSS 48
DSS 54
DSS 60





Depth is 22-1/4"

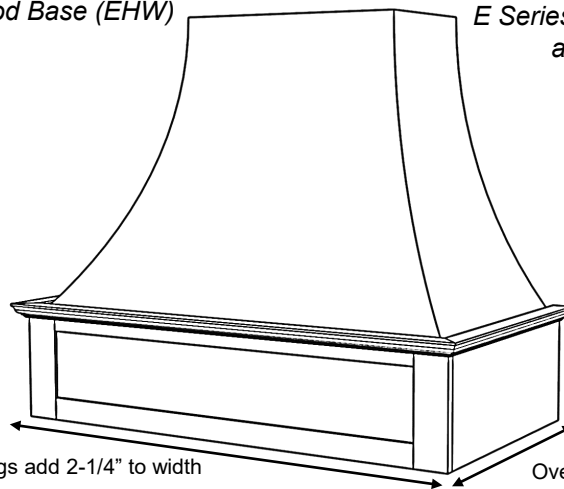
E Series shown with Hardwood Base (EHW)



Moldings add 2-1/4" to width

Overall Depth is 23-3/8"

E Series shown with RA Base (ERA) and #1 Classic molding



Moldings add 2-1/4" to width

Overall Depth is 23-3/8"

E Series shown with RSS Base (ERSS) and #1 Classic molding

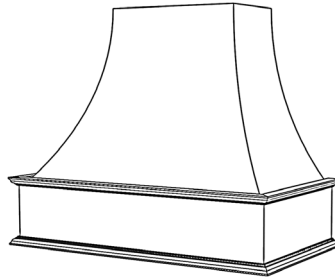
E Series

Standard Widths	36, 42, 48, 54, 60 (Reduced widths available)
Standard Heights	30, 36, 42, 48 (Reduced heights available)
Removable Options	Removable Top (RT) – see modifications section.
Available Options	Hardwood Battens (See batten options page)
Ventilation	Hood will be same width as available vent width. Example: To use a 36" vent model, the hood should be a minimum of 36" wide
Available Moldings	#1 Classic, #2 Simple, #3 Basic
Grain Direction	Vertical (Base is horizontal)

Standard Heights: 30, 36, 42, 48

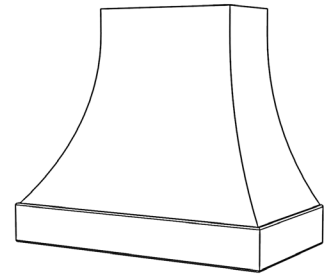
E- Standard Base

E 36
E 42
E 48
E 54
E 60



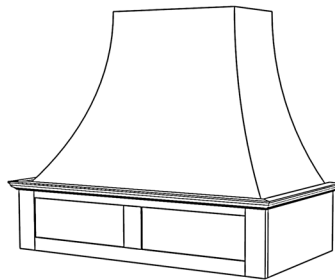
E- Hardwood Base

EHW 36
EHW 42
EHW 48
EHW 54
EHW 60



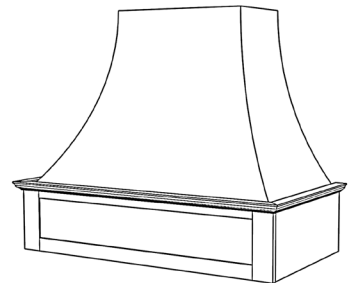
E- RS Base

ERS 36
ERS 42
ERS 48
ERS 54
ERS 60



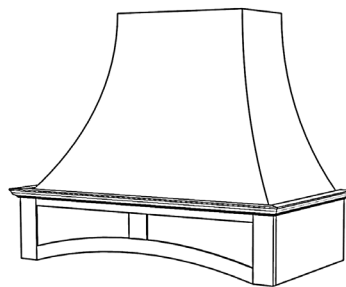
E- RSS Base

ERSS 36
ERSS 42
ERSS 48
ERSS 54
ERSS 60



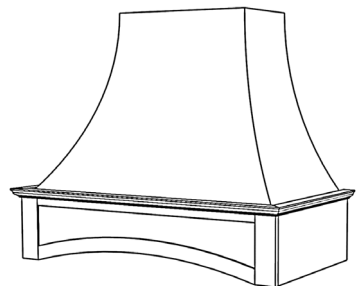
E- RA Base

ERA 36
ERA 42
ERA 48
ERA 54
ERA 60



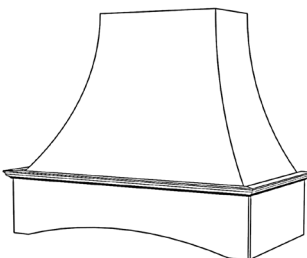
E- DP2 Base

EDP2 36
EDP2 42
EDP2 48
EDP2 54
EDP2 60



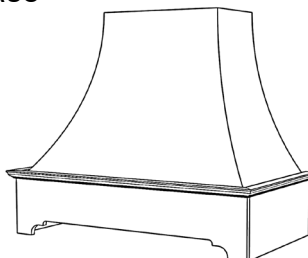
E- SL Base

ESL 36
ESL 42
ESL 48
ESL 54
ESL 60



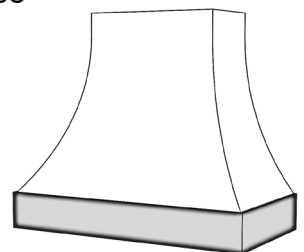
E- DP1 Base

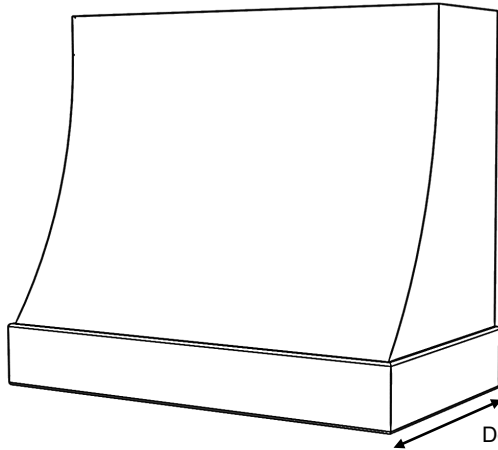
EDP1 36
EDP1 42
EDP1 48
EDP1 54
EDP1 60



E- SS Base

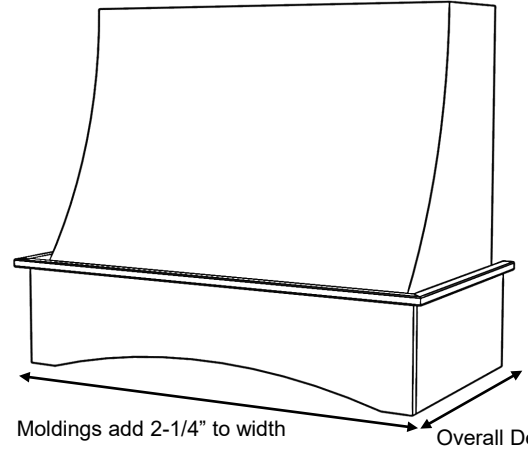
ESS 36
ESS 42
ESS 48
ESS 54
ESS 60





Depth is 22-1/4"

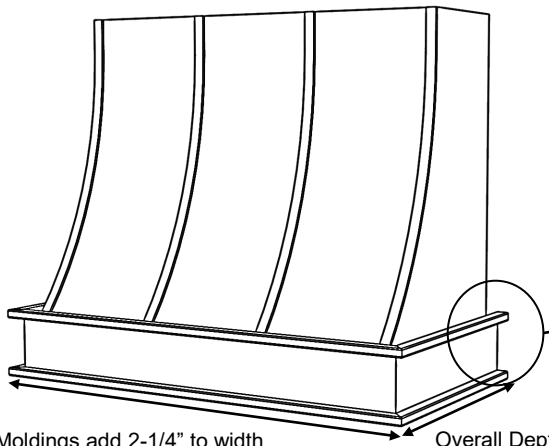
E200 Series shown with Hardwood Base (E200HW)



Moldings add 2-1/4" to width

Overall Depth is 23-3/8"

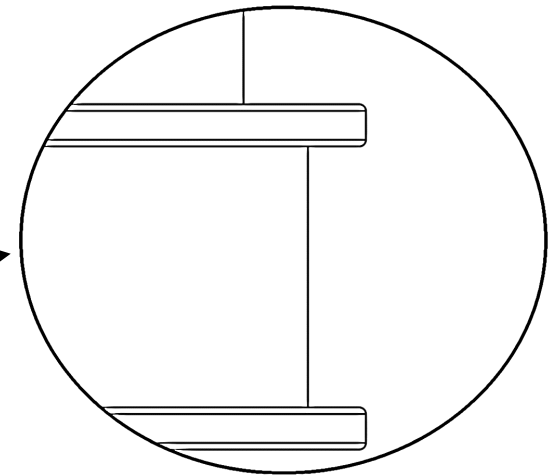
E200 Series shown with SL Base (E200SL) and #3 Basic moldings



Moldings add 2-1/4" to width

Overall Depth is 23-3/8"

E200 Series shown with PL Base (E200PL) #3 Basic moldings and optional Hardwood Battens



E200 Series

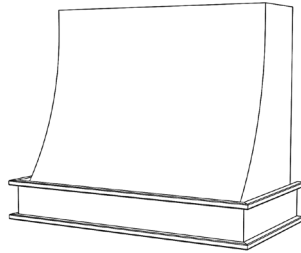
Standard Widths	30, 36, 42, 48, 54, 60 (Reduced widths available)
Standard Heights	24, 30, 36, 42, 48 (Reduced heights available)
Removable Options	Removable Top (RT) – see modifications section.
Available options	Hardwood Battens (See batten options page)
Ventilation	Hood will be same width as available vent width. Example: To use a 36" vent model, the hood should be a minimum of 36" wide
Available Moldings	#3 Basic is standard #1 Classic or #2 Simple available upon request
Grain Direction	Vertical (Base is horizontal)

700 South Glaspie Street • Oxford, MI 48371 • (248) 572-6880 • email: sales@wood-hood.com • www.wood-hood.com

Standard Heights: 24, 30, 36, 42, 48

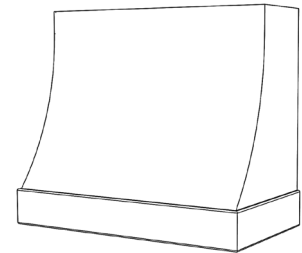
E200- PL Base

- E200PL 30
- E200PL 36
- E200PL 42
- E200PL 48
- E200PL 54
- E200PL 60



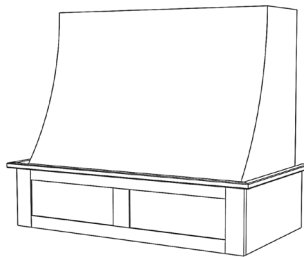
E200- Hardwood Base

- E200HW 30
- E200HW 36
- E200HW 42
- E200HW 48
- E200HW 54
- E200HW 60



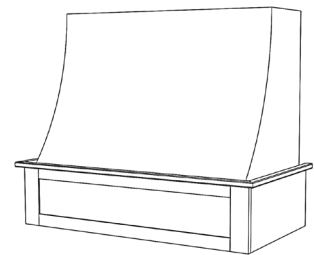
E200- RS Base

- E200RS 30
- E200RS 36
- E200RS 42
- E200RS 48
- E200RS 54
- E200RS 60



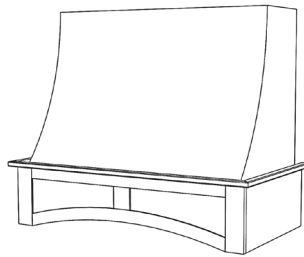
E200- RSS Base

- E200RSS 30
- E200RSS 36
- E200RSS 42
- E200RSS 48
- E200RSS 54
- E200RSS 60



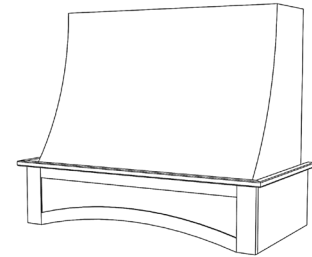
E200- RA Base

- E200RA 30
- E200RA 36
- E200RA 42
- E200RA 48
- E200RA 54
- E200RA 60



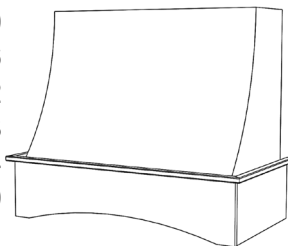
E200- DP2 Base

- E200DP2 30
- E200DP2 36
- E200DP2 42
- E200DP2 48
- E200DP2 54
- E200DP2 60



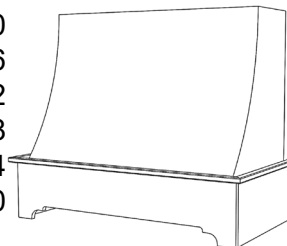
E200- SL Base

- E200SL 30
- E200SL 36
- E200SL 42
- E200SL 48
- E200SL 54
- E200SL 60



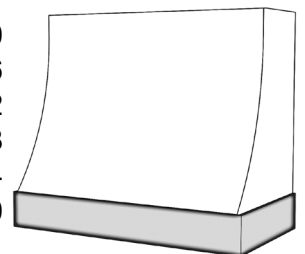
E200- DP1 Base

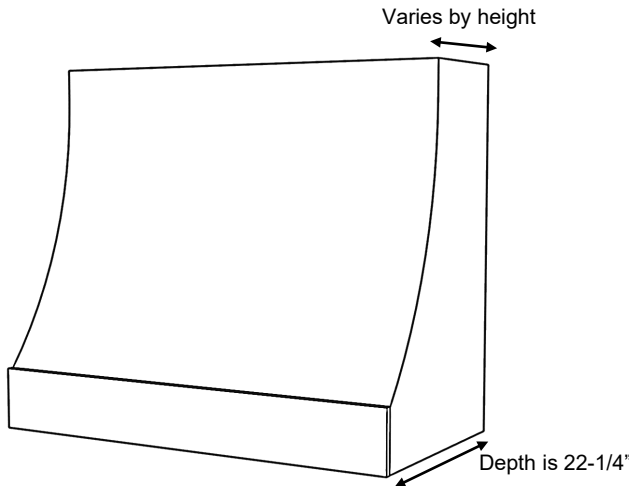
- E200DP1 30
- E200DP1 36
- E200DP1 42
- E200DP1 48
- E200DP1 54
- E200DP1 60



E200- SS Base

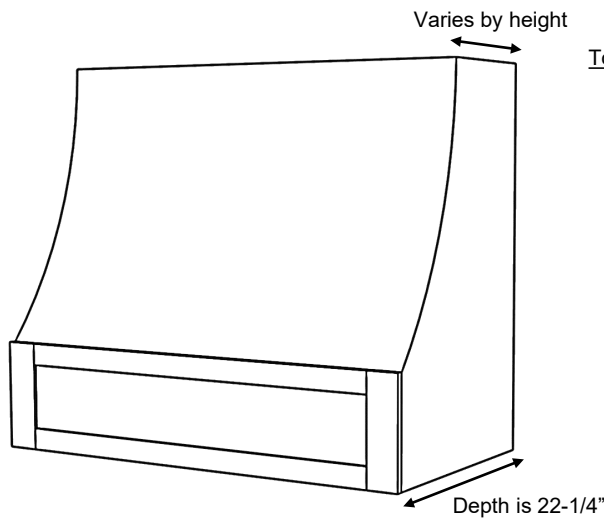
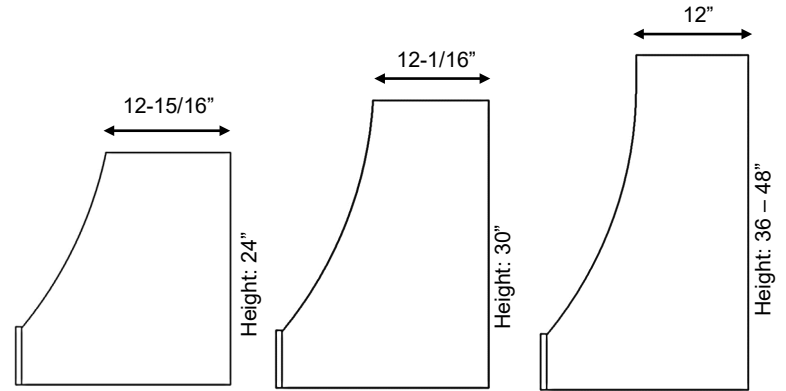
- E200SS 30
- E200SS 36
- E200SS 42
- E200SS 48
- E200SS 54
- E200SS 60





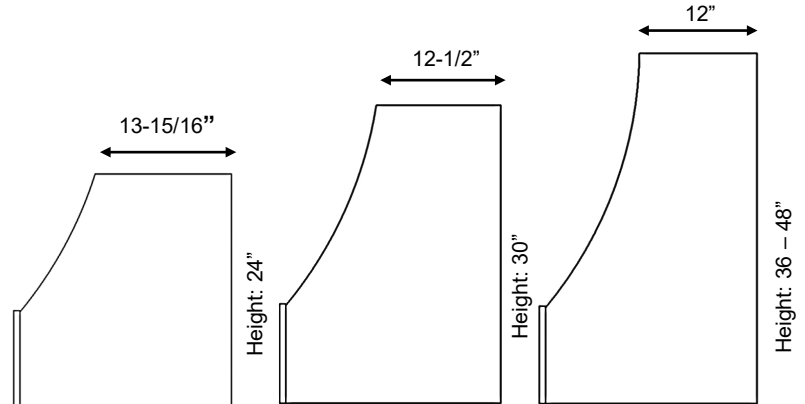
E300 Series shown with Hardwood Slab (E300)

Top Depth by Height for Models: E300



E300 Series shown with RSS Base (E300RSS)

Top Depth by Height for Models: E300RS, E300RSS, E300RA, E300DP2, E300SL, E300DP1



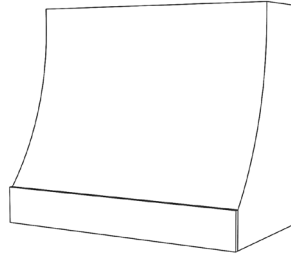
E300 Series

Standard Widths	30, 36, 42, 48, 54, 60 (Reduced widths available)
Standard Heights	24, 30, 36, 42, 48 (Reduced heights available)
Removable Options	Not available
Available Options	Hardwood Battens (See batten options page) Applied Molding wrap (See options page) Applied Hardwood Wrap (See options page)
Ventilation	Hood will be same width as available vent width. Example: To use a 36" vent model, the hood should be a minimum of 36" wide.
Grain Direction	Vertical (Front base panel is horizontal)

Standard Heights: 24, 30, 36, 42, 48

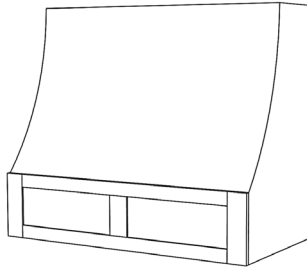
E300

- E300 30
- E300 36
- E300 42
- E300 48
- E300 54
- E300 60



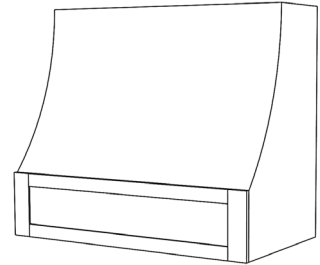
E300- RS Base

- E300RS 30
- E300RS 36
- E300RS 42
- E300RS 48
- E300RS 54
- E300RS 60



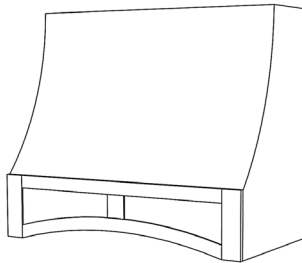
E300- RSS Base

- E300RSS 30
- E300RSS 36
- E300RSS 42
- E300RSS 48
- E300RSS 54
- E300RSS 60



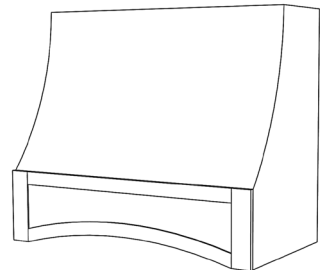
E300- RA Base

- E300RA 30
- E300RA 36
- E300RA 42
- E300RA 48
- E300RA 54
- E300RA 60



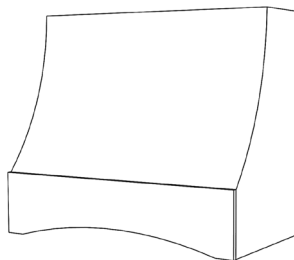
E300- DP2 Base

- E300DP2 30
- E300DP2 36
- E300DP2 42
- E300DP2 48
- E300DP2 54
- E300DP2 60



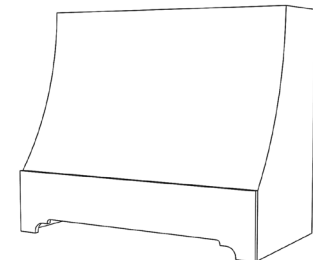
E300- SL Base

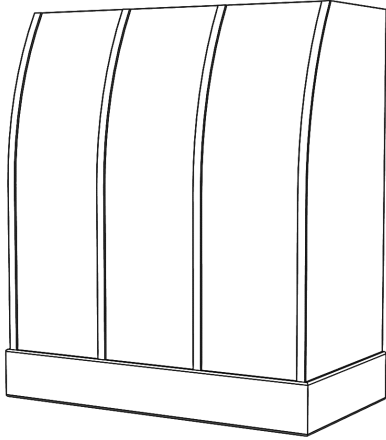
- E300SL 30
- E300SL 36
- E300SL 42
- E300SL 48
- E300SL 54
- E300SL 60



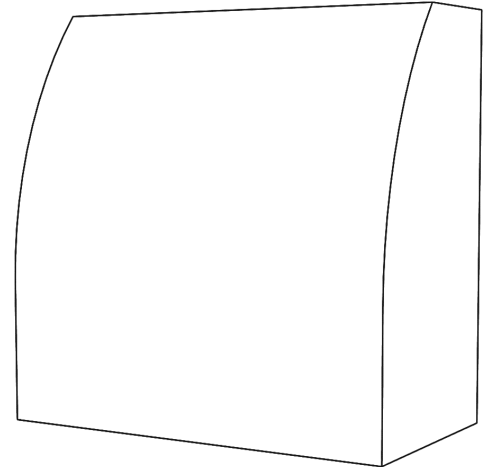
E300- DP1 Base

- E300DP1 30
- E300DP1 36
- E300DP1 42
- E300DP1 48
- E300DP1 54
- E300DP1 60

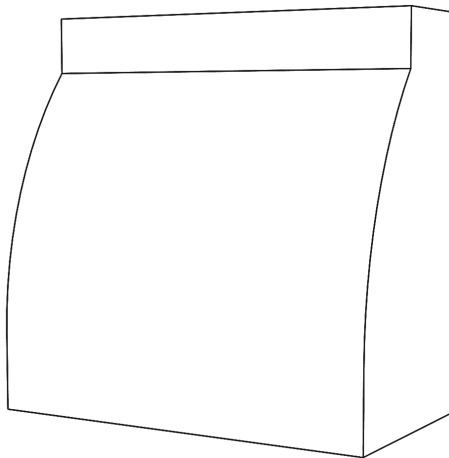




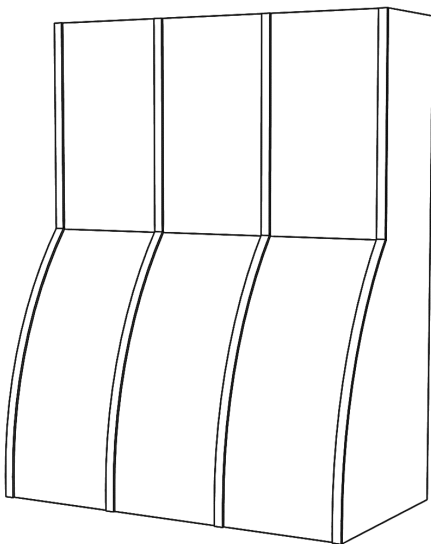
*ER200 Series shown with Hardwood Base (ER200HW)
and optional battens*



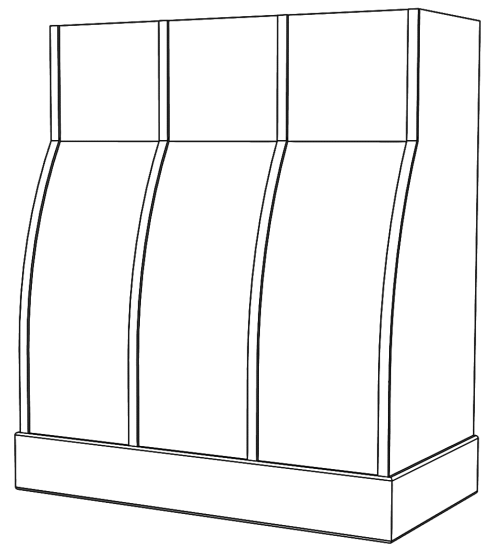
ER300 Series hood (ER300)



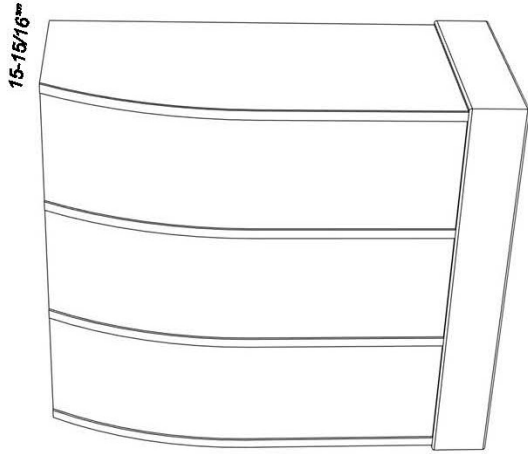
ER400 Series hood (ER400)



*ER500 Series hood (ER500)
shown with optional battens*

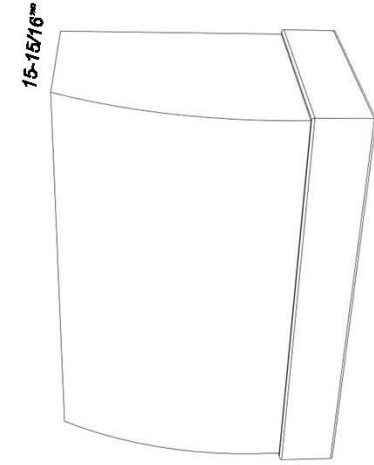


*ER600 Series hood shown with hardwood base (ER600HW)
and optional battens on curved face*

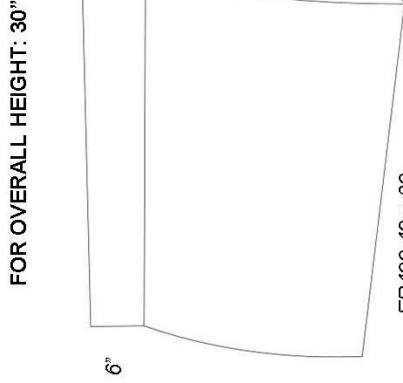


ER200 shown with hardwood base (ER200HW) and optional battens

ER200
Free-Standing



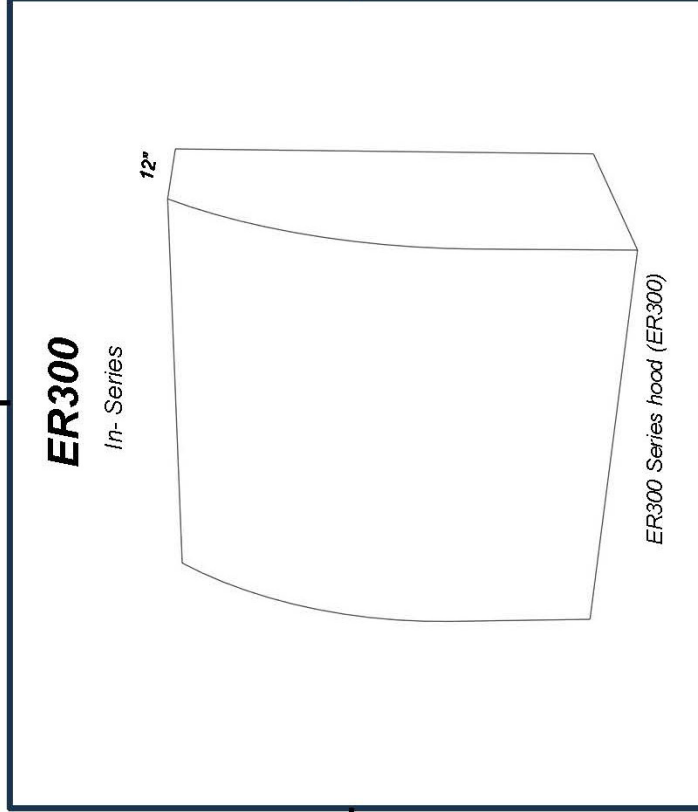
ER200 shown with hardwood base (ER200HW)



FOR OVERALL HEIGHT: 30"

ER400 42 x 30

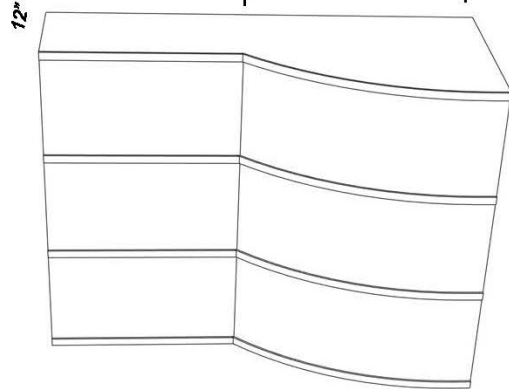
ER300
In-Series



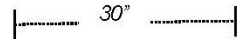
ER300 Series hood (ER300)

ER500
In-Series

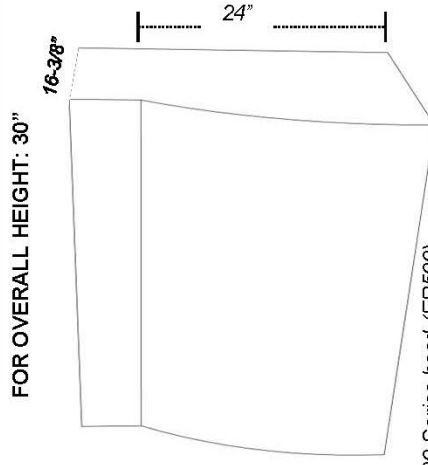
FOR OVERALL HEIGHT: 36-60"



ER500 Series hood (ER500) shown with optional battens

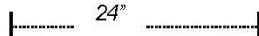


30"



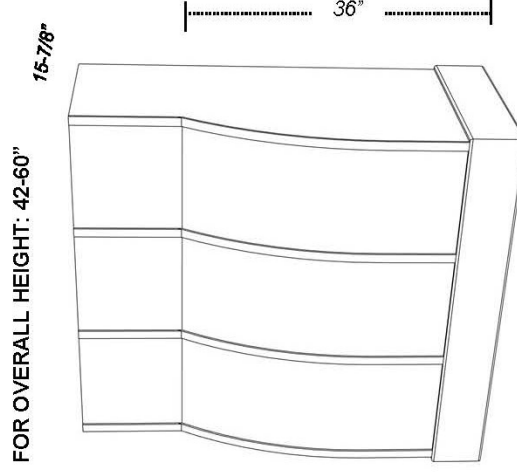
FOR OVERALL HEIGHT: 30"

ER500 Series hood (ER500)



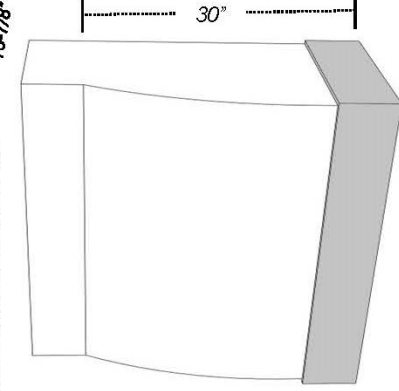
24"

16-3/8"



FOR OVERALL HEIGHT: 42-60"

ER600 shown with hardwood base (ER600HW) and optional battens



FOR OVERALL HEIGHT: 36"

ER600 shown with SS Base (ER600SS)



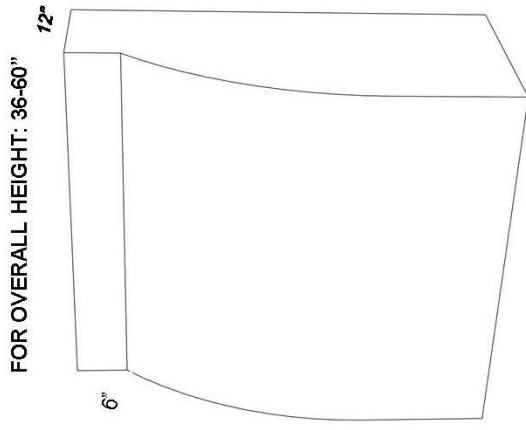
30"

15-7/8"

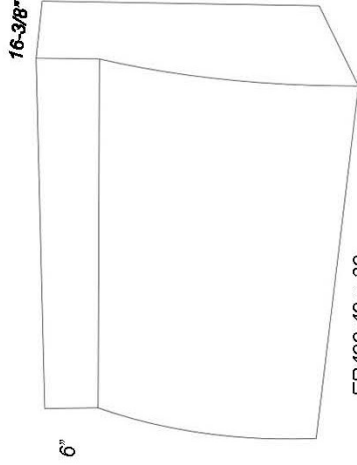
ER600
Free-Standing

ER400
In-Series

ER400 42 x 48



FOR OVERALL HEIGHT: 36-60"

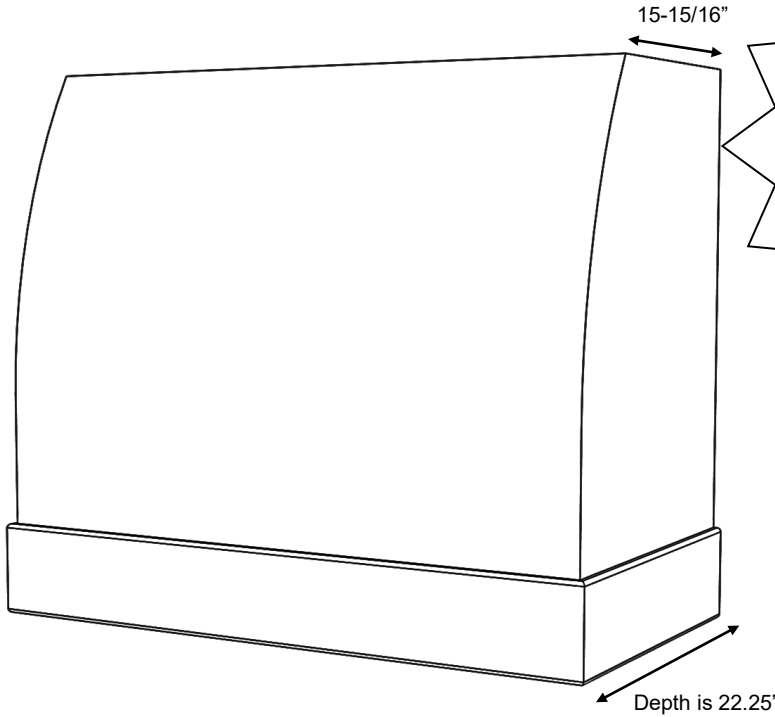


16-3/8"

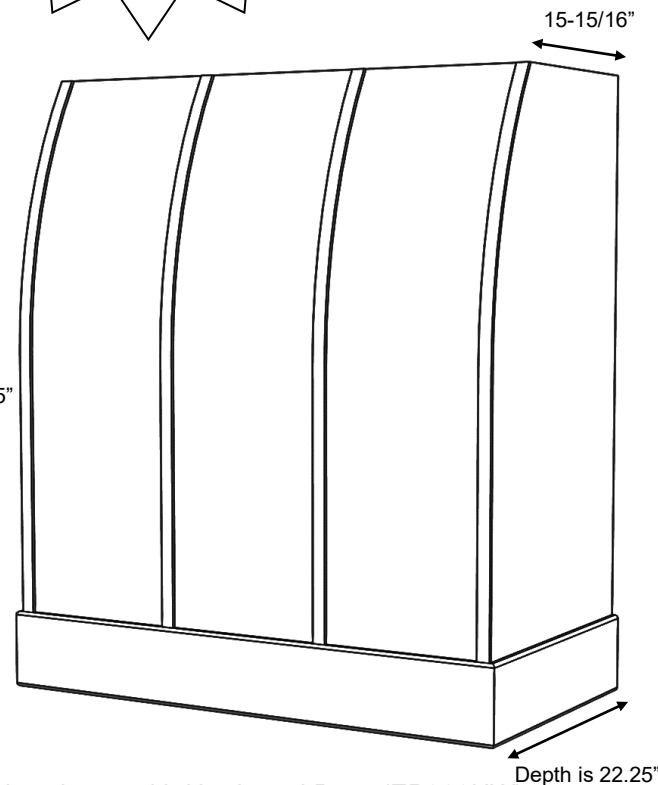
6"

NEW

COMING SUMMER 2024



ER200 Series shown with Hardwood Base (ER200HW)



ER200 Series shown with Hardwood Base (ER200HW) and optional Hardwood Battens

ER200 Series

Standard Widths	30, 36, 42, 48, 54, 60 (Reduced widths available)
Standard Heights	30, 36, 42, 48, 54, 60 (Reduced heights available)
Removable Options	Not available
Available Options	Hardwood Battens (See batten options page)
Ventilation	Hood will be same width as available vent width. Example: To use a 36" vent model, the hood should be a minimum of 36" wide.
Grain Direction	Vertical (base is horizontal)

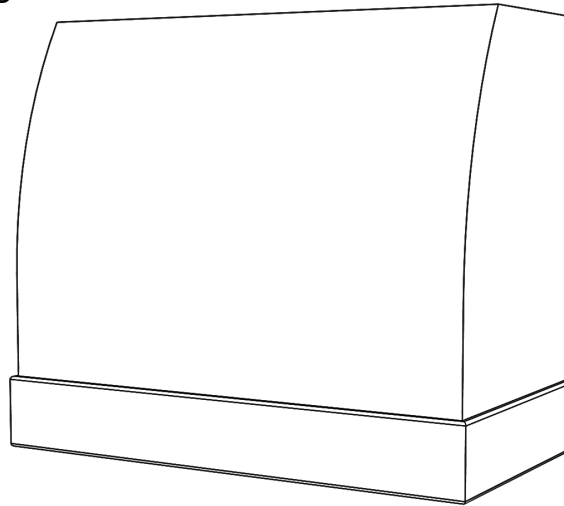
Standard Heights: 30, 36, 42, 48, 54, 60

NEW

COMING SUMMER 2024

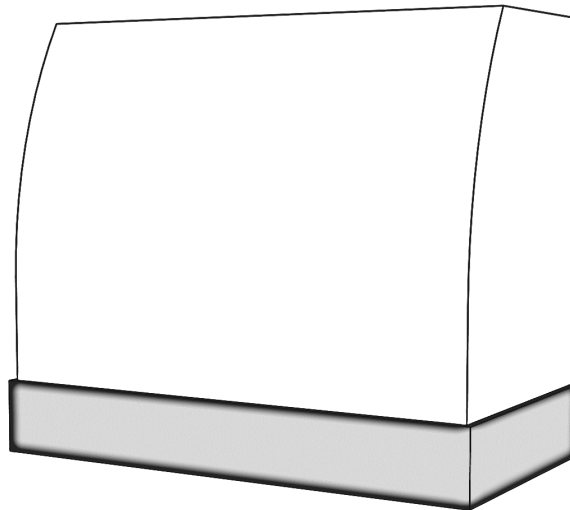
ER200- Hardwood Base

- ER200HW 30
- ER200HW 36
- ER200HW 42
- ER200HW 48
- ER200HW 54*
- ER200HW 60*



ER200- SS Base

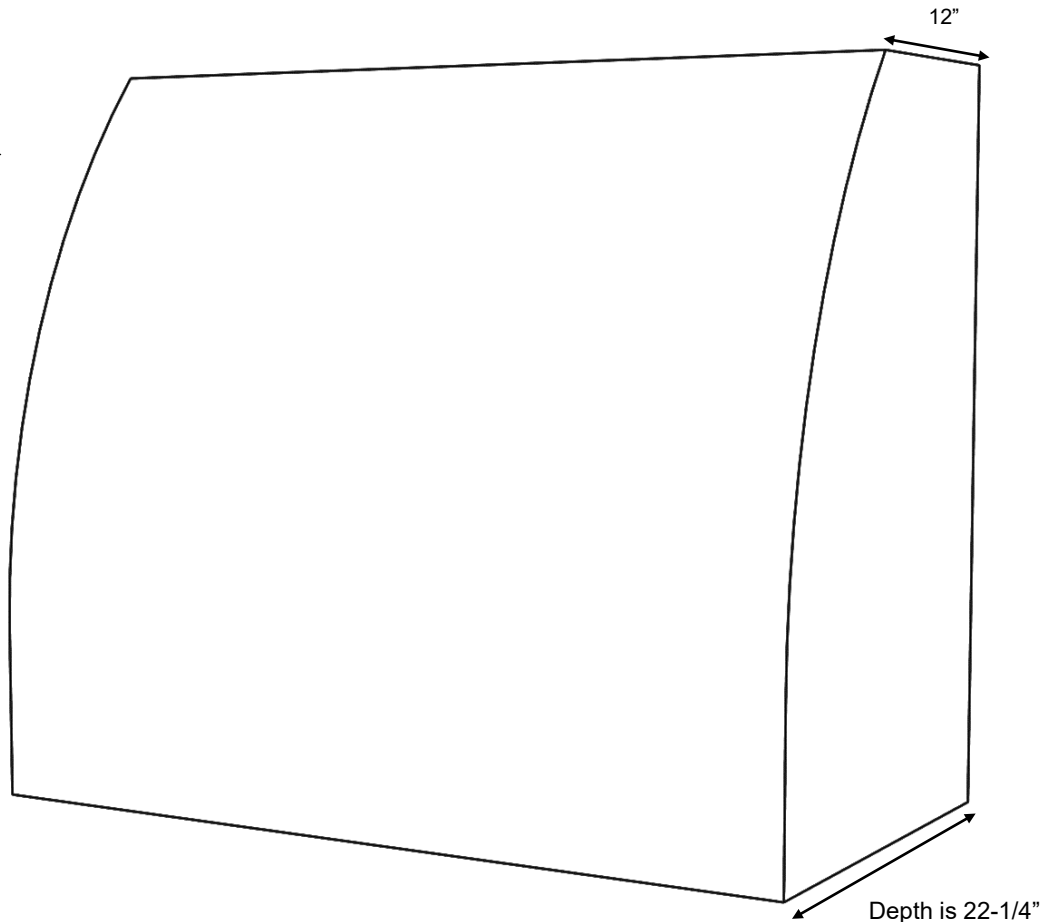
- ER200SS 30
- ER200SS 36
- ER200SS 42
- ER200SS 48
- ER200SS 54*
- ER200SS 60*



* Hoods over 48" Wide have a maximum height of 48".

NEW

COMING SUMMER 2024



ER300 Series Hood (ER300)

ER300 Series

Standard Widths	30, 36, 42, 48, 54, 60 (Reduced widths available)
Standard Heights	30, 36, 42, 48, 54, 60 (Reduced heights available)
Removable Options	Not available
Available Options	Hardwood Battens (See batten options page)
Ventilation	Hood will be same width as available vent width. Example: To use a 36" vent model, the hood should be a minimum of 36" wide.
Grain Direction	Vertical

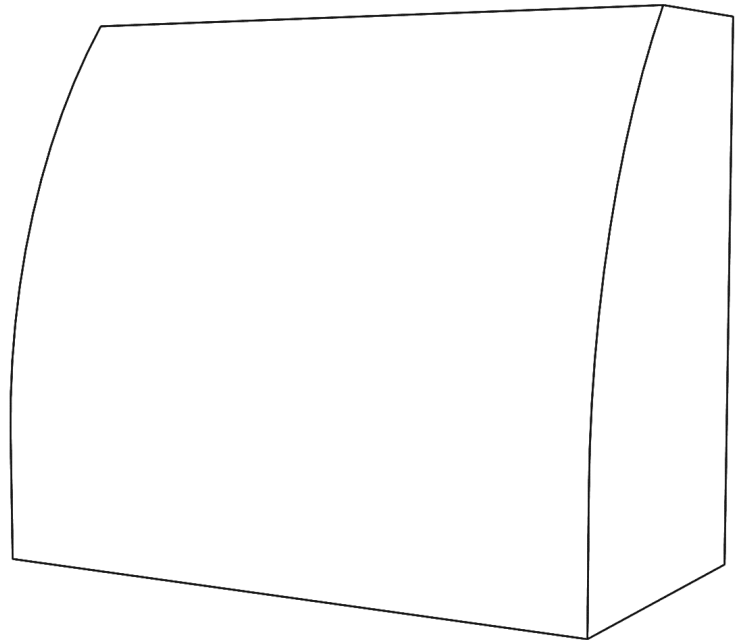
700 South Glaspie Street • Oxford, MI 48371 • (248) 572-6880 • email: sales@wood-hood.com • www.wood-hood.com

Standard Heights: 30, 36, 42, 48, 54, 60



ER300

- ER300 30
- ER300 36
- ER300 42
- ER300 48
- ER300 54*
- ER300 60*



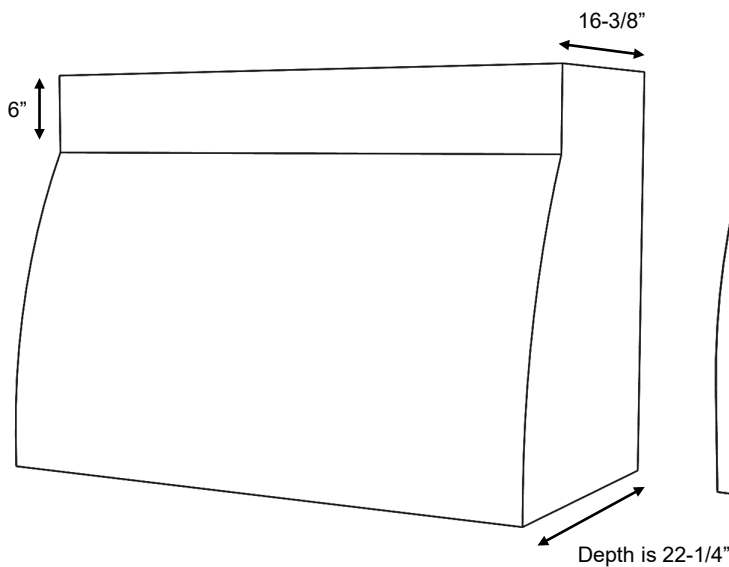
** Hoods over 48" Wide have a maximum height of 42"*

NEW

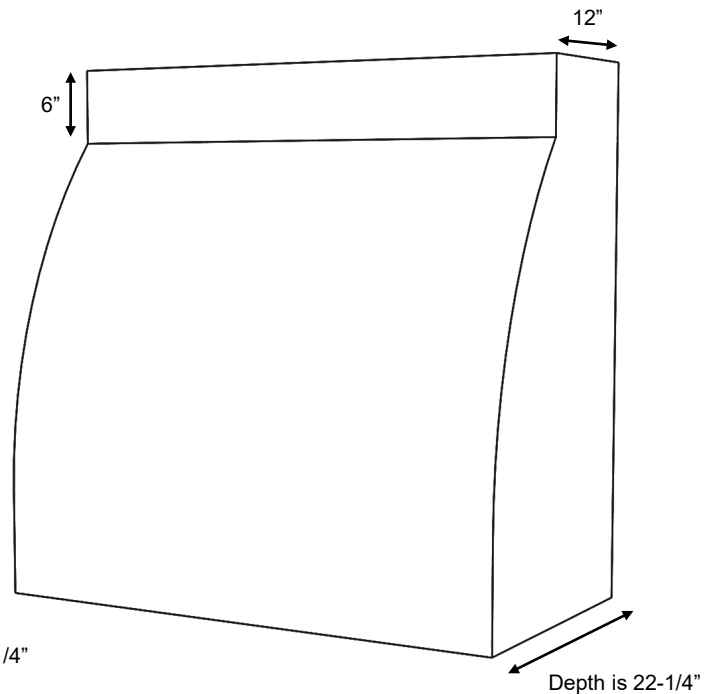
COMING SUMMER 2024

FOR OVERALL HEIGHTS: 36" – 60"

FOR OVERALL HEIGHT: 30"



ER400 Series Hood, 42 x 30 (ER400)



ER400 Series Hood, 42 x 48 (ER400)

ER400 Series

Standard Widths	30, 36, 42, 48, 54, 60 (Reduced widths available)
Standard Heights	30, 36, 42, 48, 54, 60 (Reduced heights available)
Removable Options	Not available
Available Options	Hardwood Battens (See batten options page)
Ventilation	Hood will be same width as available vent width. Example: To use a 36" vent model, the hood should be a minimum of 36" wide.
Grain Direction	Vertical

Standard Heights: 30, 36, 42, 48, 54, 60

NEW

COMING SUMMER 2024

ER400

ER400 30

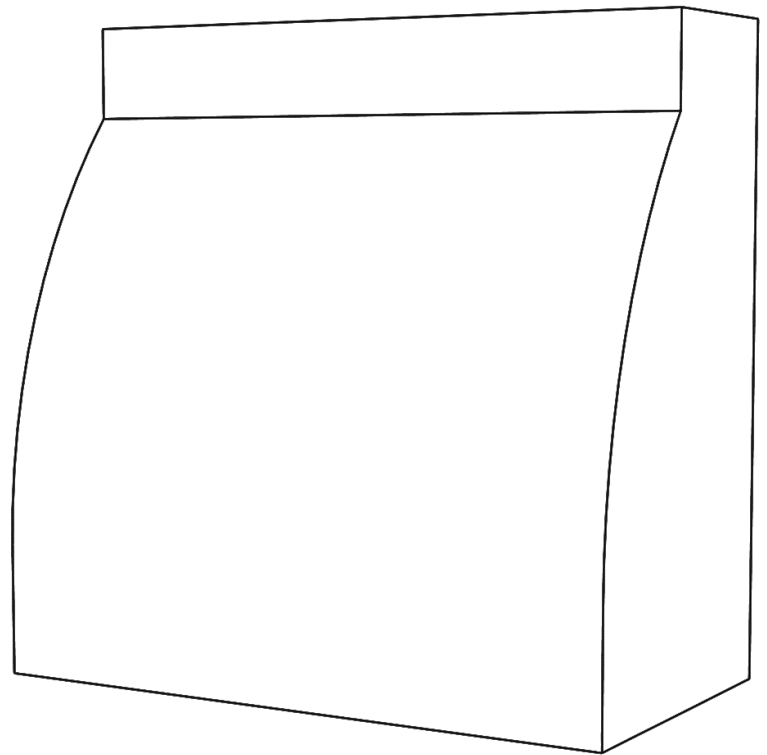
ER400 36

ER400 42

ER400 48

ER400 54*

ER400 60*



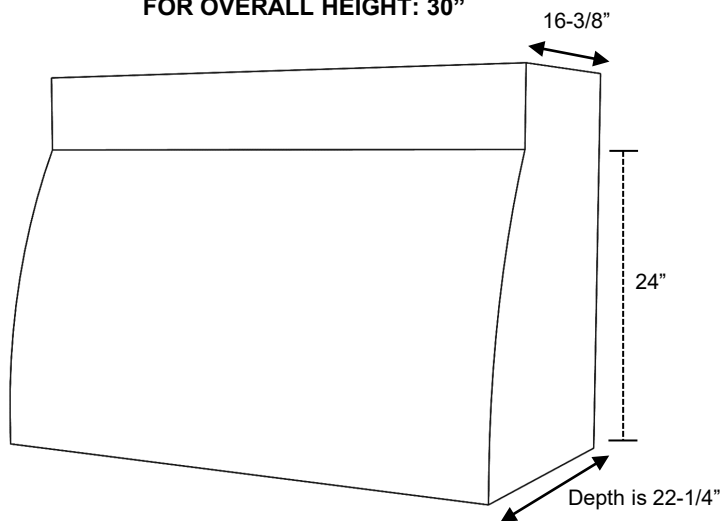
** Hoods over 48" Wide have a maximum height of 48"*

NEW

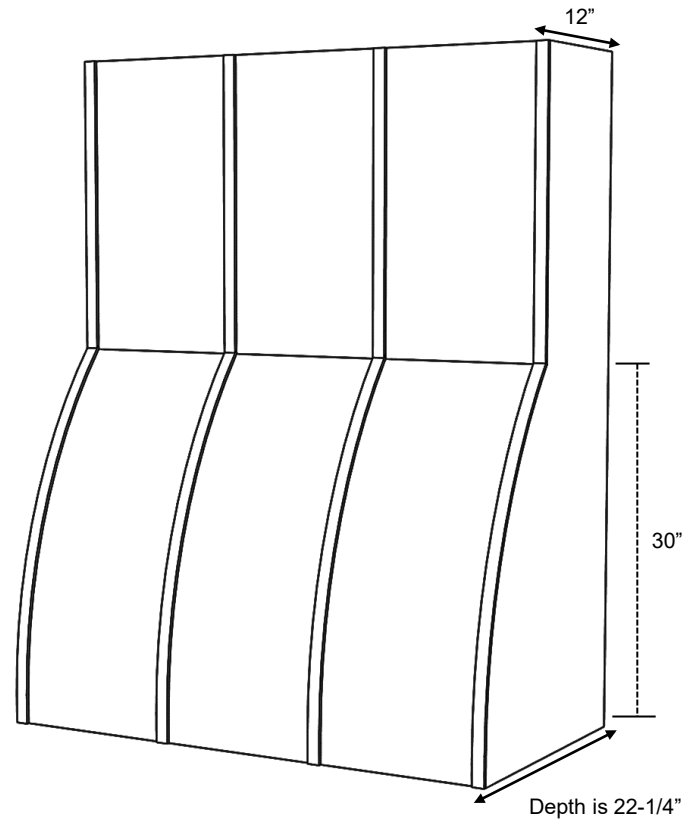
COMING SUMMER 2024

FOR OVERALL HEIGHTS: 36" – 60"

FOR OVERALL HEIGHT: 30"



ER500 Series 42 x 30 (ER500)



ER500 Series 42 x 54 (ER500)
Shown with optional Hardwood Battens

ER500 Series

Standard Widths	30, 36, 42, 48, 54, 60 (Reduced widths available)
Standard Heights	30, 36, 42, 48, 54, 60 (Reduced heights available)
Removable Options	Not available
Available Options	Hardwood Battens (See batten options page)
Ventilation	Hood will be same width as available vent width. Example: To use a 36" vent model, the hood should be a minimum of 36" wide.
Grain Direction	Vertical

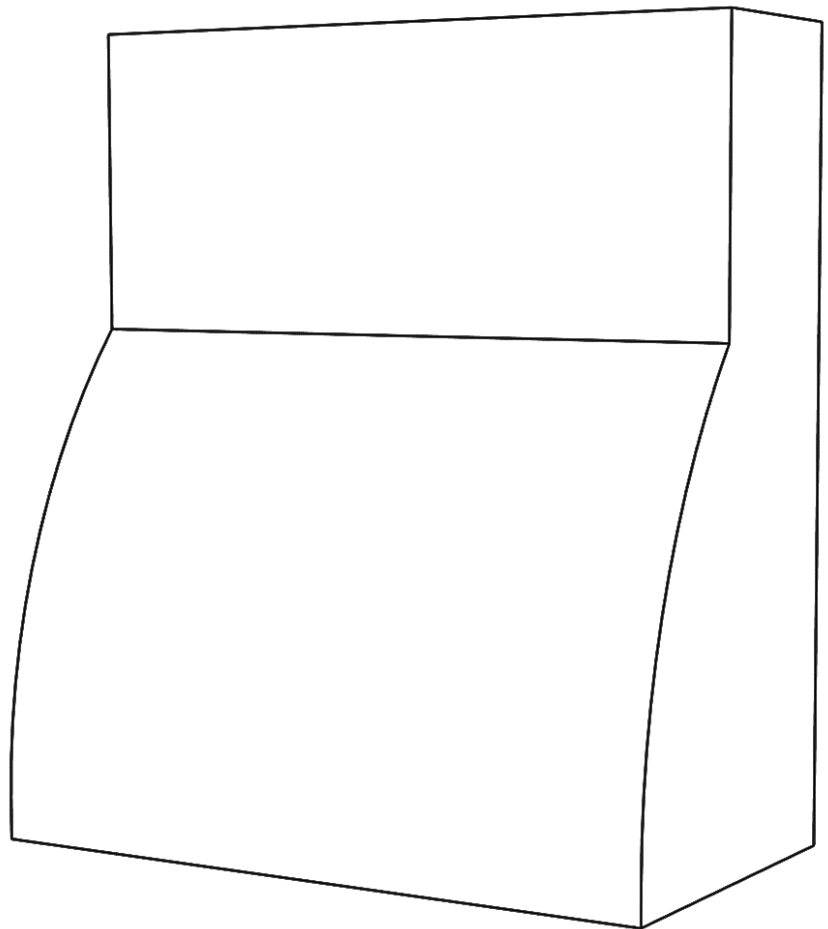
Standard Heights: 30, 36, 42, 48, 54, 60

NEW

COMING SUMMER 2024

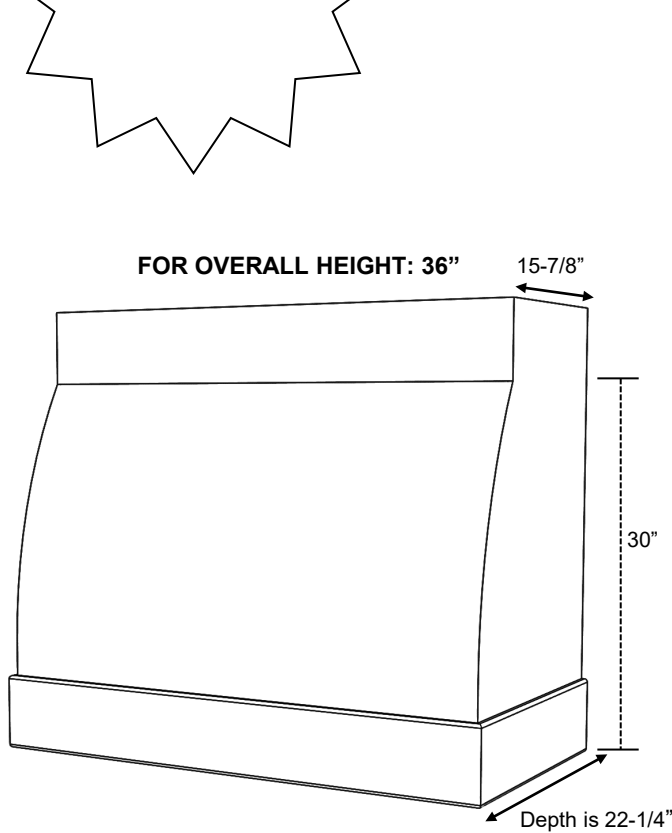
ER500

- ER500 30
- ER500 36
- ER500 42
- ER500 48
- ER500 54
- ER500 60

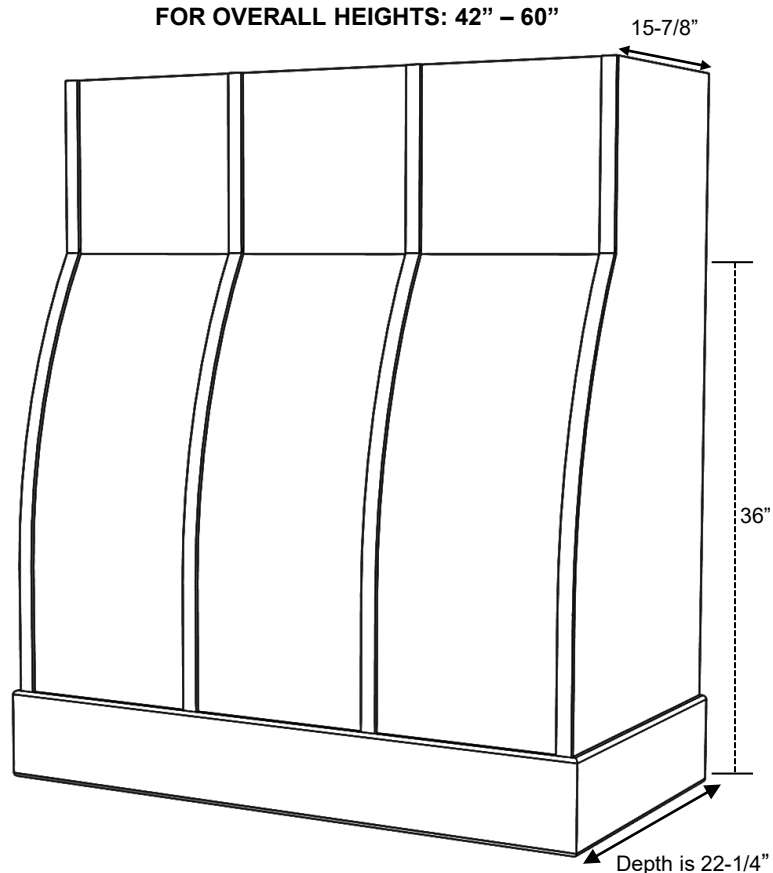


NEW

COMING SUMMER 2024



ER600 Series 42 x 36 shown with Hardwood Base (ER600HW)



ER600 Series 42 x 48 shown with Hardwood Base (ER600HW) and optional Hardwood Battens

ER600 Series

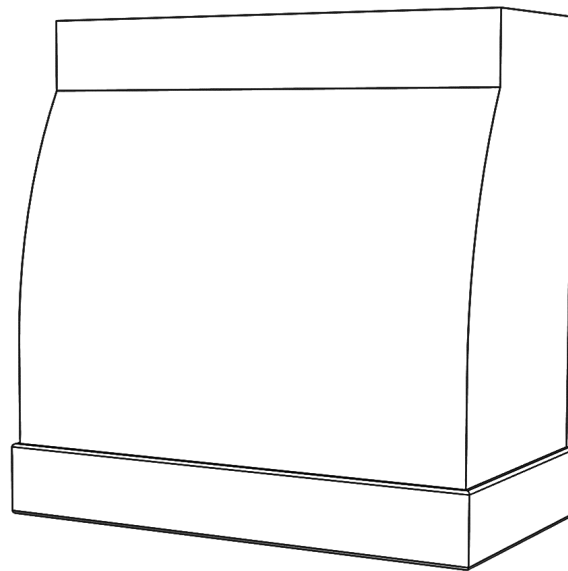
Standard Widths	30, 36, 42, 48, 54, 60 (Reduced widths available)
Standard Heights	36, 42, 48, 54, 60 (Reduced heights available)
Removable Options	Not available
Available Options	Hardwood Battens (See batten options page)
Ventilation	Hood will be same width as available vent width. Example: To use a 36" vent model, the hood should be a minimum of 36" wide.
Grain Direction	Vertical (base is horizontal)



Standard Heights: 36, 42, 48, 54, 60

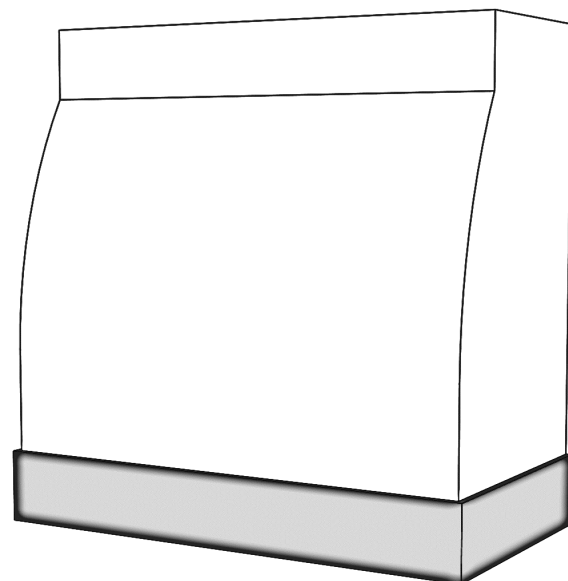
ER600- Hardwood Base

- ER600HW 30
- ER600HW 36
- ER600HW 42
- ER600HW 48
- ER600HW 54
- ER600HW 60



ER600- SS Base

- ER600SS 30
- ER600SS 36
- ER600SS 42
- ER600SS 48
- ER600SS 54
- ER600SS 60

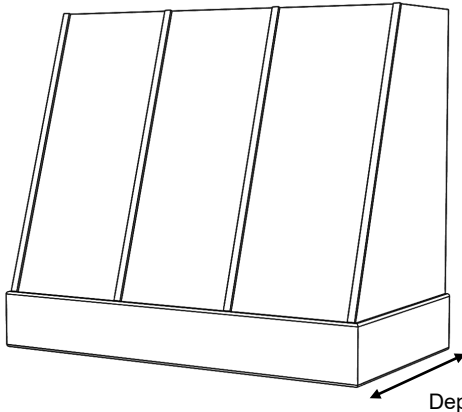


Previously Named: FX2

STANISCI DESIGN™

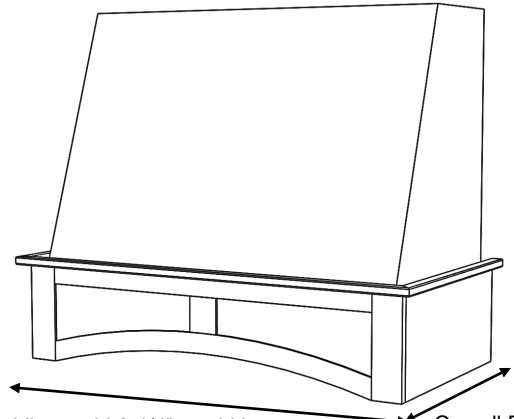
Fanfare - FX200 Series

Free Standing



Depth is 22-1/4"

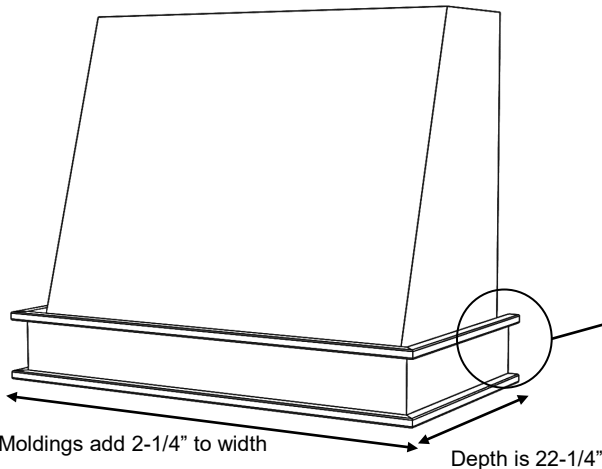
FX200 Series shown with Hardwood Base (FX200HW) and optional Hardwood Battens



Moldings add 2-1/4" to width

Overall Depth is 23-3/8"

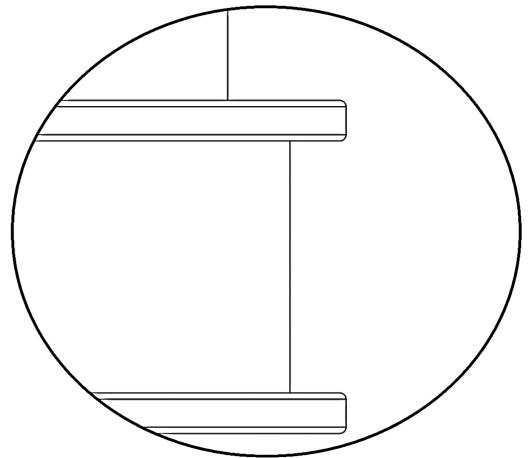
FX200 Series shown with RA Base (FX200RA) and #3 Basic Moldings



Moldings add 2-1/4" to width

Depth is 22-1/4"

FX200 Series shown with PL Base (FX200PL) and #3 Basic moldings



FX200 Series

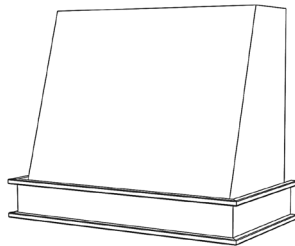
Standard Widths	30, 36, 42, 48, 54, 60 (Reduced widths available)
Standard Heights	24, 30, 36, 42, 48 (Reduced heights available)
Removable Options	Removable Top (RT) – see modifications section.
Ventilation	Hood will be same width as available vent width. Example: To use a 36" vent model, the hood should be a minimum of 36" wide
Available Options	Hardwood Battens (See batten options page)
Grain Direction	Vertical (Base is horizontal)

700 South Gaspie Street • Oxford, MI 48371 • (248) 572-6880 • email: sales@wood-hood.com • www.wood-hood.com

Standard Heights: 24, 30, 36, 42, 48

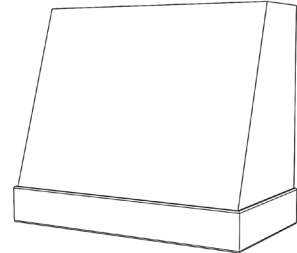
FX200- PL Base

- FX200PL 30
- FX200PL 36
- FX200PL 42
- FX200PL 48
- FX200PL 54
- FX200PL 60



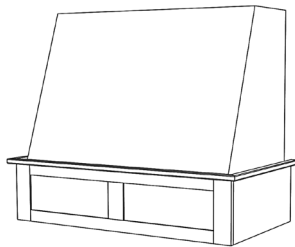
FX200- Hardwood Base

- FX200HW 30
- FX200HW 36
- FX200HW 42
- FX200HW 48
- FX200HW 54
- FX200HW 60



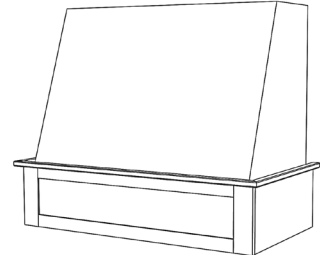
FX200- RS Base

- FX200RS 30
- FX200RS 36
- FX200RS 42
- FX200RS 48
- FX200RS 54
- FX200RS 60



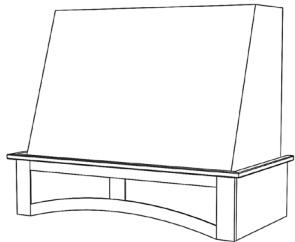
FX200- RSS Base

- FX200RSS 30
- FX200RSS 36
- FX200RSS 42
- FX200RSS 48
- FX200RSS 54
- FX200RSS 60



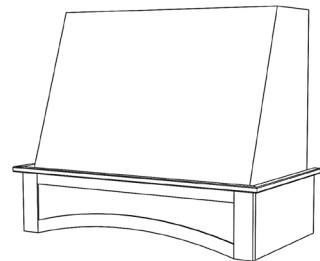
FX200- RA Base

- FX200RA 30
- FX200RA 36
- FX200RA 42
- FX200RA 48
- FX200RA 54
- FX200RA 60



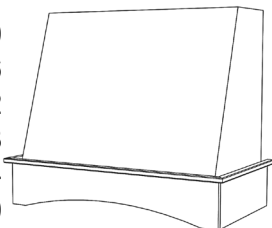
FX2- DP2 Base

- FX200DP2 30
- FX200DP2 36
- FX200DP2 42
- FX200DP2 48
- FX200DP2 54
- FX200DP2 60



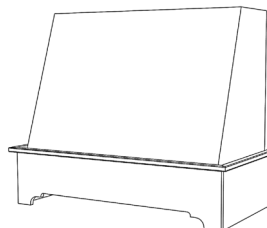
FX200- SL Base

- FX200SL 30
- FX200SL 36
- FX200SL 42
- FX200SL 48
- FX200SL 54
- FX200SL 60



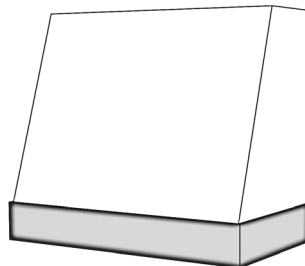
FX200- DP1 Base

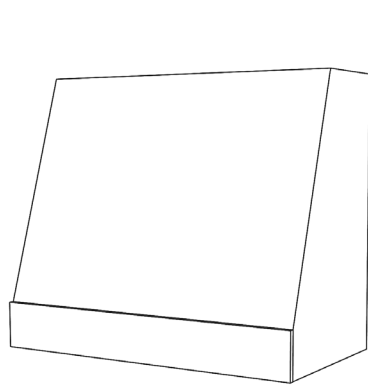
- FX200DP1 30
- FX200DP1 36
- FX200DP1 42
- FX200DP1 48
- FX200DP1 54
- FX002DP1 60



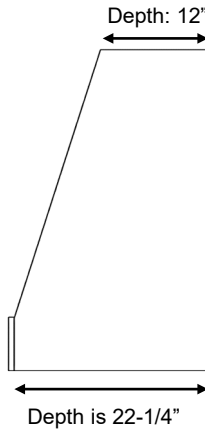
FX200- SS Base

- FX200SS 30
- FX200SS 36
- FX200SS 42
- FX200SS 48
- FX200SS 54
- FX200SS 60

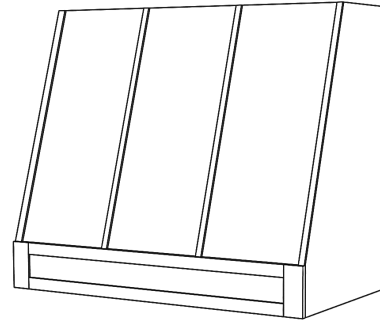




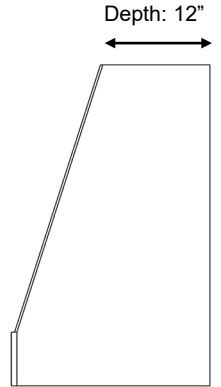
FX300 Series shown with
Hardwood Slab (FX300)



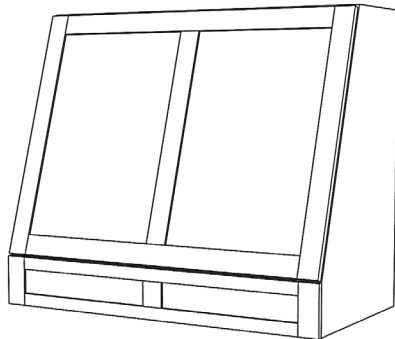
Depth is 22-1/4"



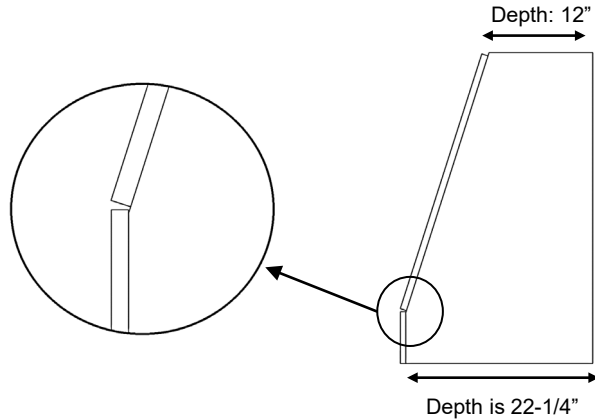
FX300 Series shown with 1 Base Door Panel
(FX300BP) and Optional Hardwood Battens



Depth is 22-1/4"



FX300 Series shown with 2 Base Door Panels
and 2 Upper Door Panels (FX300BPUP 2-2)



Depth is 22-1/4"

FX300 Series

Standard Widths	30, 36, 42, 48, 54, 60 (Reduced widths available)
Standard Heights	24, 30, 36, 42, 48 (Reduced heights available)
Removable Options	Hoods with an upper door panel option - Removable Panel is standard Hoods without an upper door panel option – No Removable Panel
Available Options	Hardwood Battens (See batten options page) Applied Molding Wrap (See options page) Applied Hardwood Wrap (See options page) 12" Top Depth can be modified by request.
Standard Assumptions	Base door panels must be flat
Ventilation	Hood will be same width as available vent width. Example: To use a 36" vent model, the hood should be a minimum of 36" wide
Grain Direction	Vertical (Base is horizontal) Hoods over 48" wide will have horizontal grain

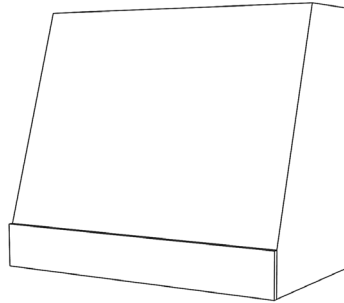
Standard Widths: 30, 36, 42, 48, 54, 60

Standard Heights: 24, 30, 36, 42, 48

FX300

FX300

- FX300 30
- FX300 36
- FX300 42
- FX300 48
- FX300H 54*
- FX300H 60*



* Hoods over 48" wide will have horizontal grain on tapered front, sides, and base.

FX300BP

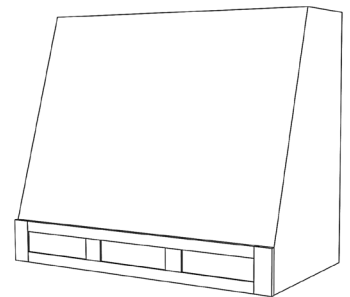
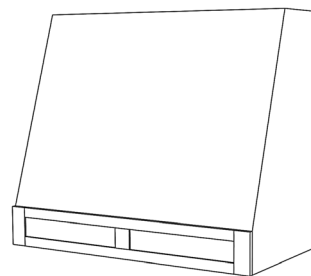
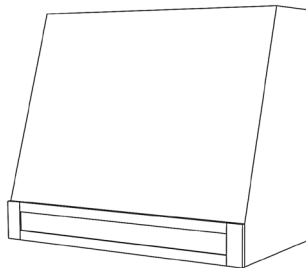
FX300BP -1

FX300BP -2

FX300BP -3

FX300BP

- FX300BP 30
- FX300BP 36
- FX300BP 42
- FX300BP 48
- FX300BP-H 54*
- FX300BP-H 60*



* Hoods over 48" wide will have horizontal grain on tapered front, sides, and base.

FX300UP

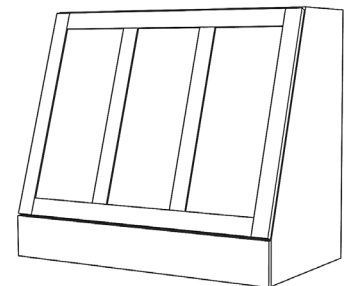
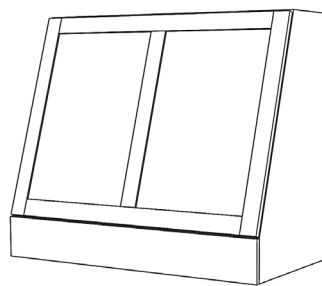
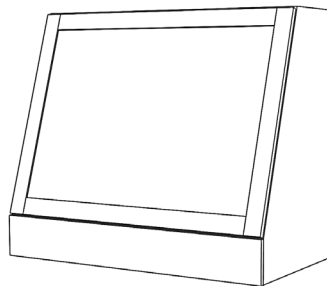
FX300UP -1 *

FX300UP -2 **

FX300UP -3

FX300UP

- FX300UP 30
- FX300UP 36
- FX300UP 42
- FX300UP 48
- FX300UP 54 **
- FX300UP 60 **



* In all sizes, 1 upper panel option requires Paint Grade.

** Hoods over 48" wide, 2 upper panel option requires Paint Grade .

Previously Named: FX

STANISCI
DESIGN™

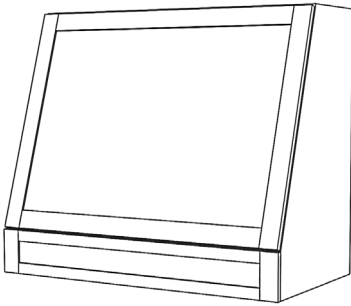
Foxcote - FX300 Series

In-Series

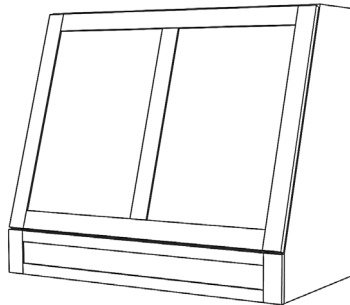
Standard Widths: 30, 36, 42, 48, 54, 60

Standard Heights: 24, 30, 36, 42, 48

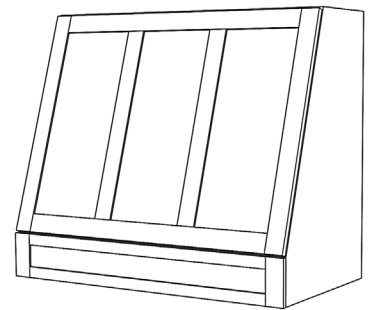
FX300BPUP 1-1*



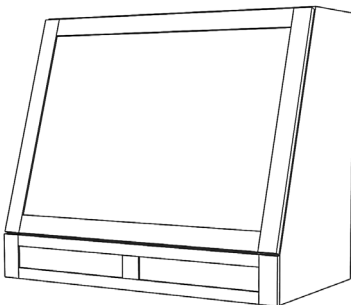
FX300BPUP 1-2**



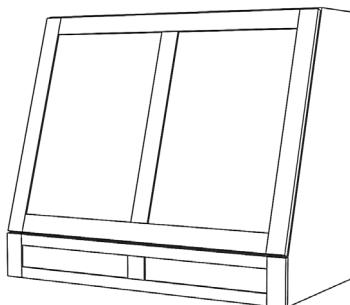
FX300BPUP 1-3



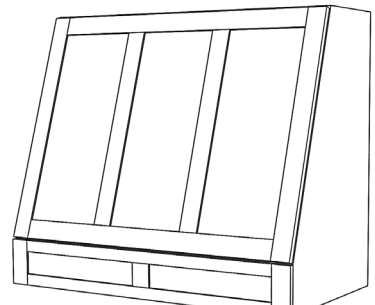
FX300BPUP 2-1*



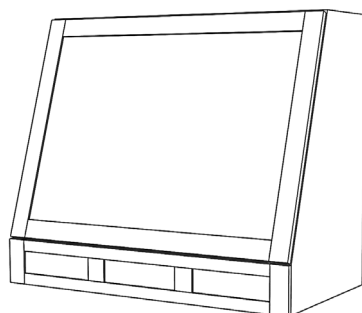
FX300BPUP 2-2**



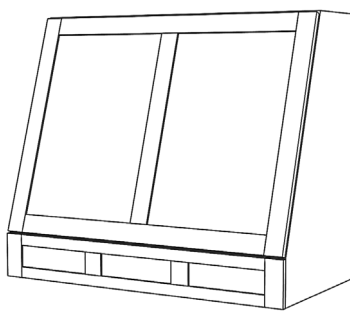
FX300BPUP 2-3



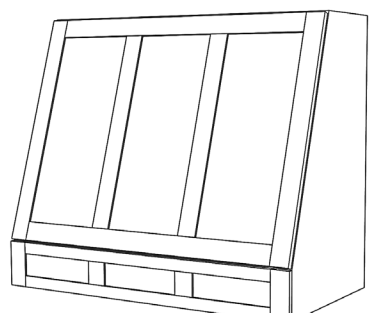
FX300BPUP 3-1*



FX300BPUP 3-2**



FX300BPUP 3-3

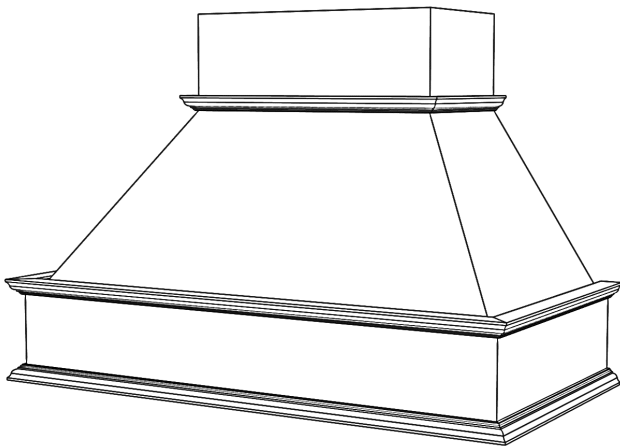


* In all sizes, 1 upper panel option requires Paint Grade.

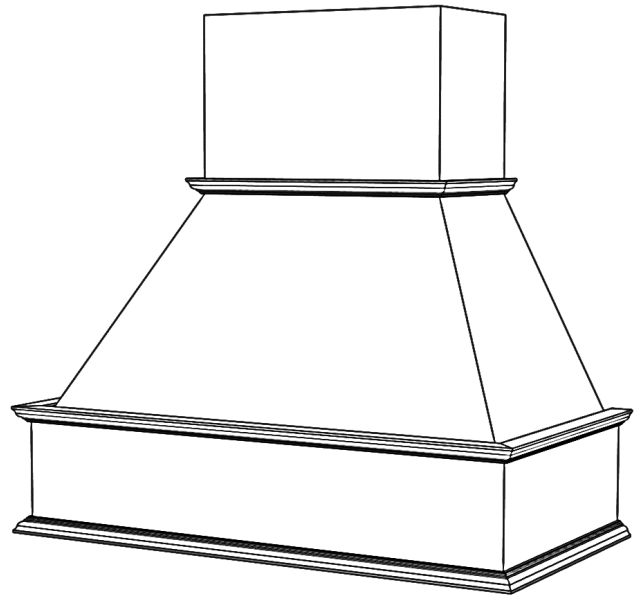
** Hoods over 48" wide, 2 upper panel option requires Paint Grade .

700 South Glaspie Street • Oxford, MI 48371 • (248) 572-6880 • email: sales@wood-hood.com • www.wood-hood.com

The G and GT Series hood are identical chimney style hoods however, the G Series is made for a shorter style hood while the GT Series is made for a taller style hood.

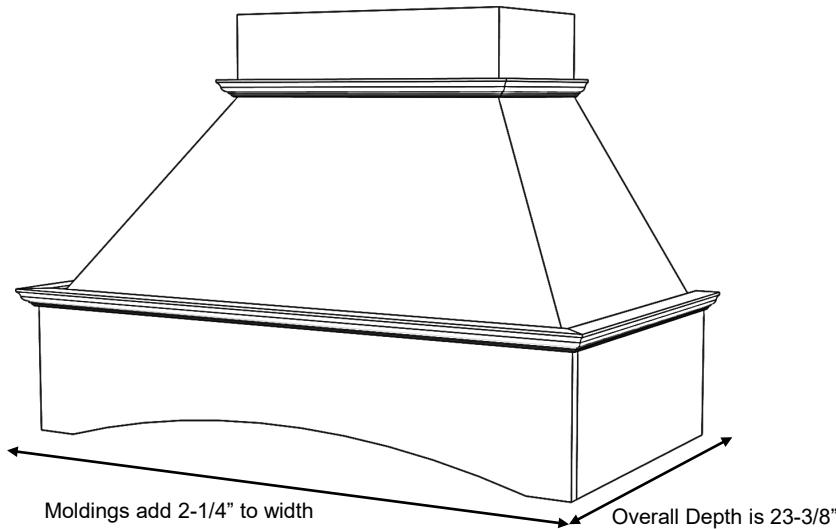


*G Series shown with Standard Base
36 x 30*

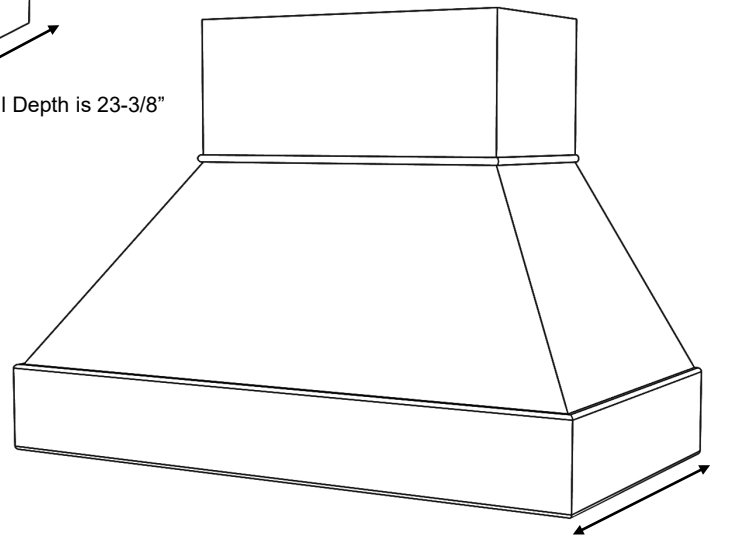


*GT Series shown with Standard Base
36 x 42*

(GT-Series was previously named T-Series)



*G Series shown with SL Base (GSL)
and #1 Classic moldings*



G Series shown with Hardwood Base (GHW)

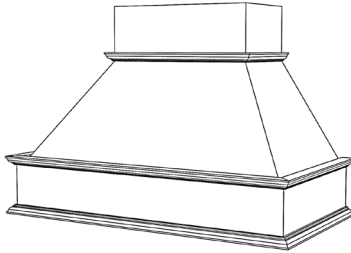
G Series

Standard Widths	36, 42, 48, 54, 60
Standard Heights	30 (Modified heights available) Chimney can be trimmed in the field
Removable Options	Removable Top (RT) – see modifications section. Applied Removable Panel (ARP) – see modifications section.
Ventilation	Hood will be same width as available vent width. Example: To use a 36" vent model, the hood should be a minimum of 36" wide
Available Moldings	#1 Classic, #2 Simple, #3 Basic
Grain Direction	Vertical (Base is horizontal)

Standard Height: 30

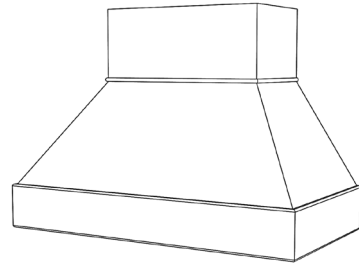
G- Standard Base

G 36
G 42
G 48
G 54
G 60



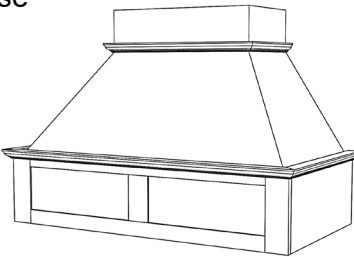
G- Hardwood Base

GHW 36
GHW 42
GHW 48
GHW 54
GHW 60



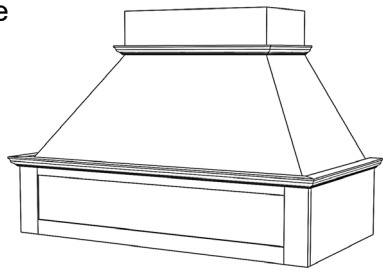
G- RS Base

GRS 36
GRS 42
GRS 48
GRS 54
GRS 60



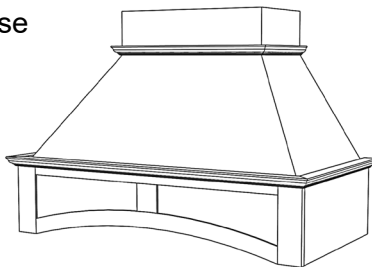
G- RSS Base

GRSS 36
GRSS 42
GRSS 48
GRSS 54
GRSS 60



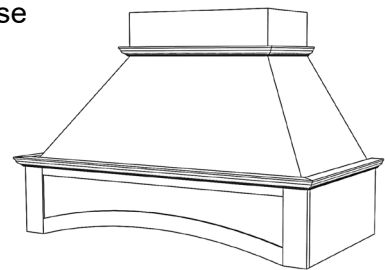
G- RA Base

GRA 36
GRA 42
GRA 48
GRA 54
GRA 60



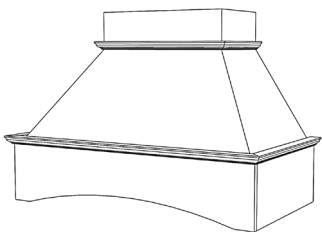
G- DP2 Base

GDP2 36
GDP2 42
GDP2 48
GDP2 54
GDP2 60



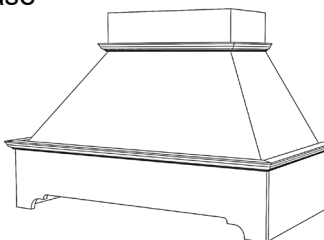
G- SL Base

GSL 36
GSL 42
GSL 48
GSL 54
GSL 60



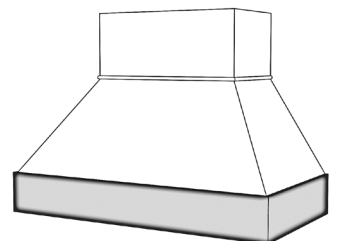
G- DP1 Base

GDP1 36
GDP1 42
GDP1 48
GDP1 54
GDP1 60



G- SS Base

GSS 36
GSS 42
GSS 48
GSS 54
GSS 60

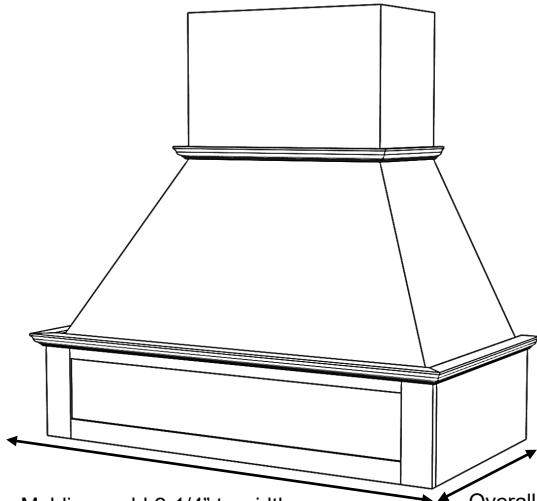


Previously Named: T

STANISCI DESIGN

Thompson - GT Series

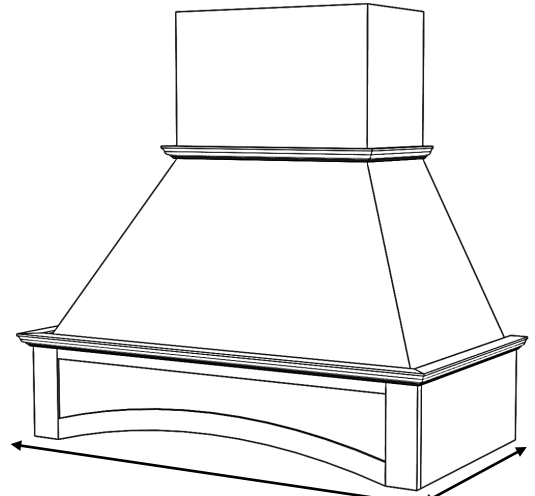
Free Standing



Moldings add 2-1/4" to width

Overall Depth is 23-3/8"

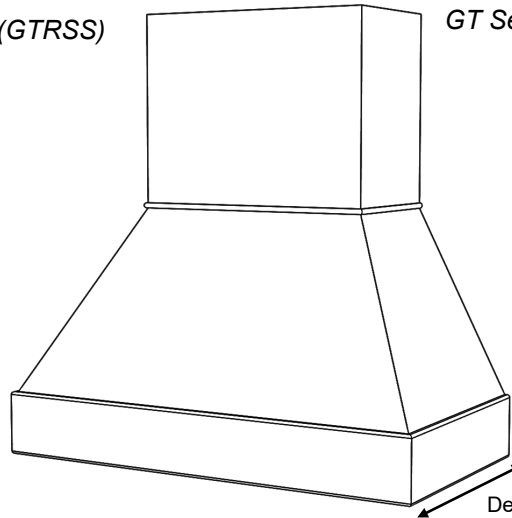
GT Series shown with RSS Base (GTRSS) and #1 Classic moldings



Moldings add 2-1/4" to width

Overall Depth is 23-3/8"

GT Series shown with DP2 Base (GTDP2) and #1 Classic moldings



Depth is 22-1/4"

GT Series shown with Hardwood Base (GTHW)

GT Series

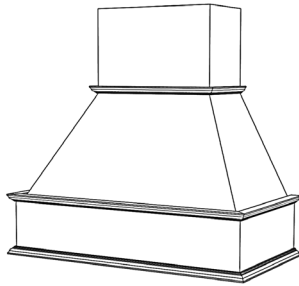
Standard Widths	36, 42, 48, 54, 60 (Reduced widths available)
Standard Heights	42" (Modified heights available) Chimney can be trimmed in the field
Removable Options	Removable Top (RT) – see modifications section. Applied Removable Panel (ARP) – see modifications section.
Ventilation	Hood will be same width as available vent width. Example: To use a 36" vent model, the hood should be a minimum of 36" wide
Available Moldings	#1 Classic, #2 Simple #3 Basic
Grain Direction	Vertical (Base is horizontal)

700 South Glaspie Street • Oxford, MI 48371 • (248) 572-6880 • email: sales@wood-hood.com • www.wood-hood.com

Standard Height: 42

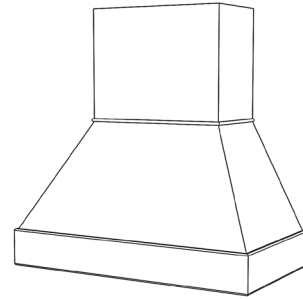
GT- Standard Base

- GT 36
- GT 42
- GT 48
- GT 54
- GT 60



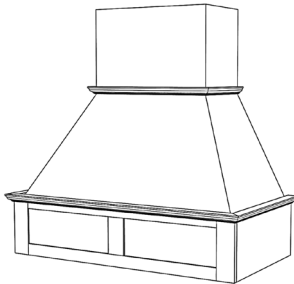
GT- Hardwood Base

- GTHW 36
- GTHW 42
- GTHW 48
- GTHW 54
- GTHW 60



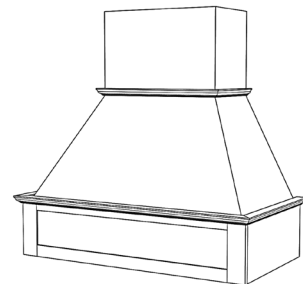
GT- RS Base

- GTRS 36
- GTRS 42
- GTRS 48
- GTRS 54
- GTRS 60



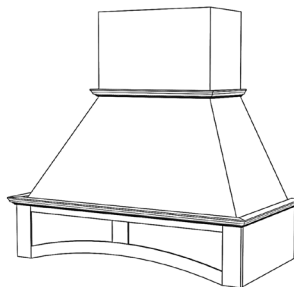
GT- RSS Base

- GTRSS 36
- GTRSS 42
- GTRSS 48
- GTRSS 54
- GTRSS 60



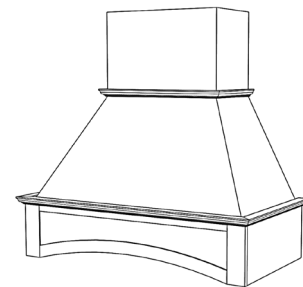
GT- RA Base

- GTRA 36
- GTRA 42
- GTRA 48
- GTRA 54
- GTRA 60



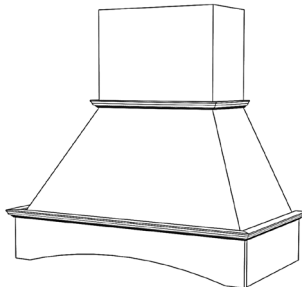
GT- DP2 Base

- GTDP2 36
- GTDP2 42
- GTDP2 48
- GTDP2 54
- GTDP2 60



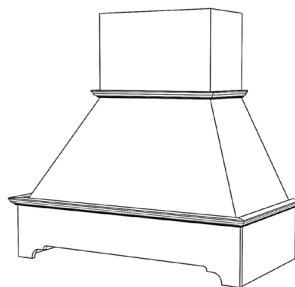
GT- SL Base

- GTSL 36
- GTSL 42
- GTSL 48
- GTSL 54
- GTSL 60



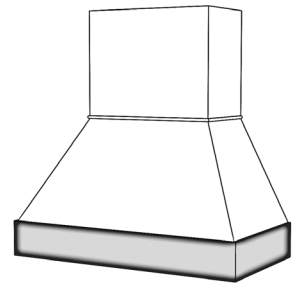
GT- DP1 Base

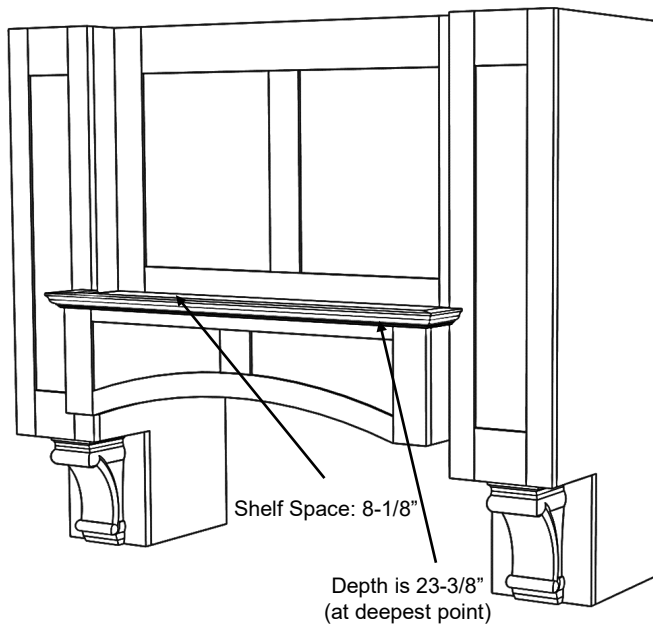
- GTDP1 36
- GTDP1 42
- GTDP1 48
- GTDP1 54
- GTDP1 60



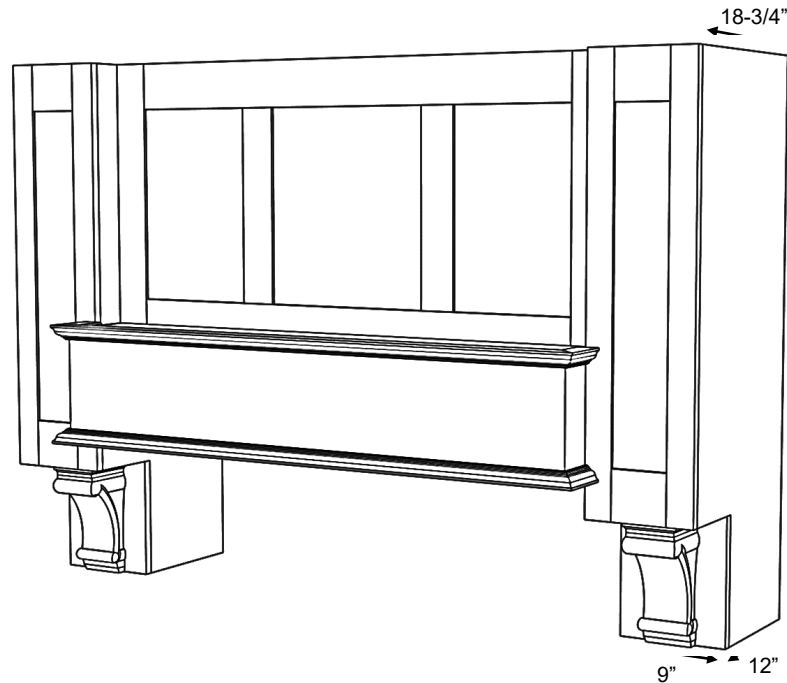
GT- SS Base

- GTSS 36
- GTSS 42
- GTSS 48
- GTSS 54
- GTSS 60





*H Series shown with RA Base (HRA)
#1 Classic molding, and optional corbels
(48" – 60" wide will have 2 center panels)*



*H Series shown with Standard Base (H)
#1 Classic molding, and optional corbels
(66" – 78" wide will have 3 center panels)*

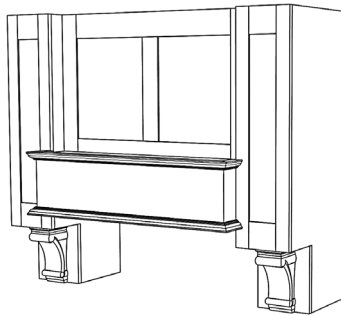
H Series

Standard Widths	48, 54, 60, 66, 72, 78 (Reduced widths available) To calculate minimum width, take range width plus 18". Example: A 36" range would get a 54" wide hood. (36 + 18 = 54)
Standard Heights	38, 44, 50, 56, 62 (Reduced heights available) To calculate height, take ceiling height minus 52". Example: A 96" ceiling would have a 44" tall hood. (96 - 52 = 44)
Removable Options	Removable Panel is standard (MRP) 2" fixed top rail available by request (MRP-2TR) – see modifications section.
Ventilation	Hood must be a minimum of 18" wider than available vent width. Example: To use a 36" vent model, the hood should be a minimum of 54" wide
Available Moldings	#1 Classic, #2 Simple, #3 Basic
Available Options	Corbels - All Stanisci corbel options will fit this design (See corbel options page)
Grain Direction	Vertical (Base is horizontal)

Standard Heights: 38, 44, 50, 56, 62

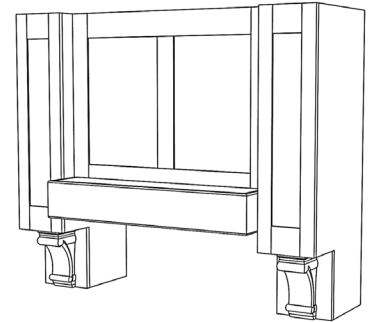
H- Standard Base

H 48
H 54
H 60
H 66*
H 72*
H 78*



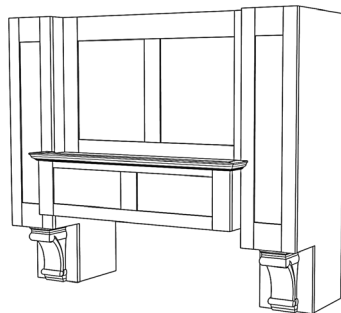
H- Hardwood Base

HHW 48
HHW 54
HHW 60
HHW 66*
HHW 72*
HHW 78*



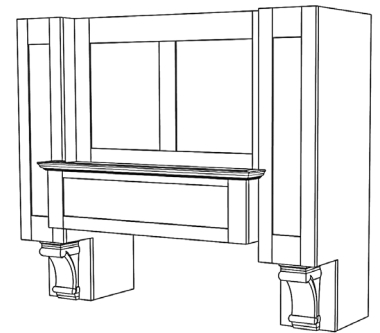
H- RS Base

HRS 48
HRS 54
HRS 60
HRS 66*
HRS 72*
HRS 78*



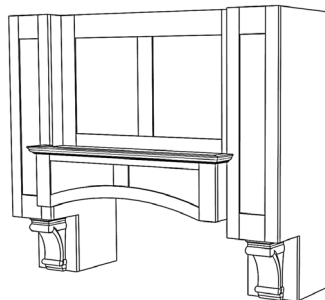
H- RSS Base

HRSS 48
HRSS 54
HRSS 60
HRSS 66*
HRSS 72*
HRSS 78*



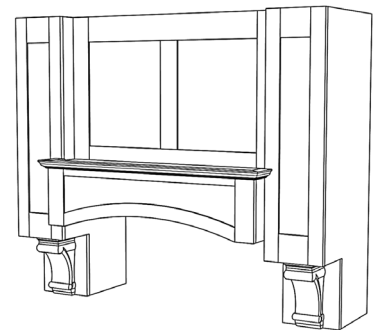
H- RA Base

HRA 48
HRA 54
HRA 60
HRA 66*
HRA 72*
HRA 78*



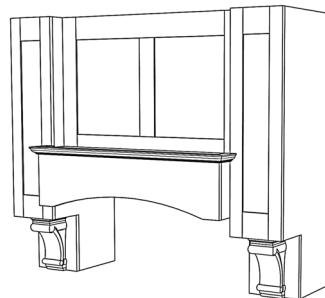
H- DP2 Base

HDP2 48
HDP2 54
HDP2 60
HDP2 66*
HDP2 72*
HDP2 78*



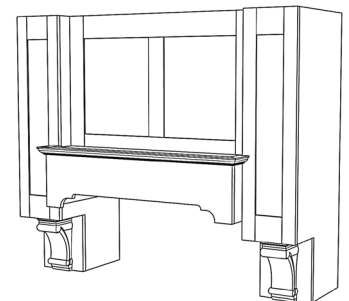
H- SL Base

HSL 48
HSL 54
HSL 60
HSL 66*
HSL 72*
HSL 78*

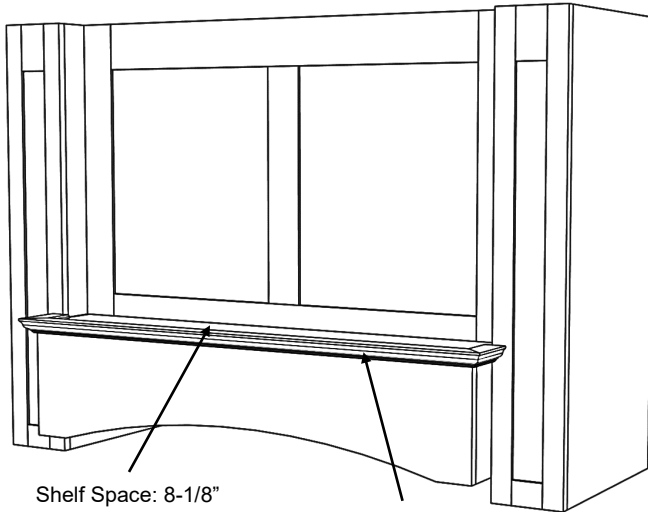


H- DP1 Base

HDP1 48
HDP1 54
HDP1 60
HDP1 66*
HDP1 72*
HDP1 78*



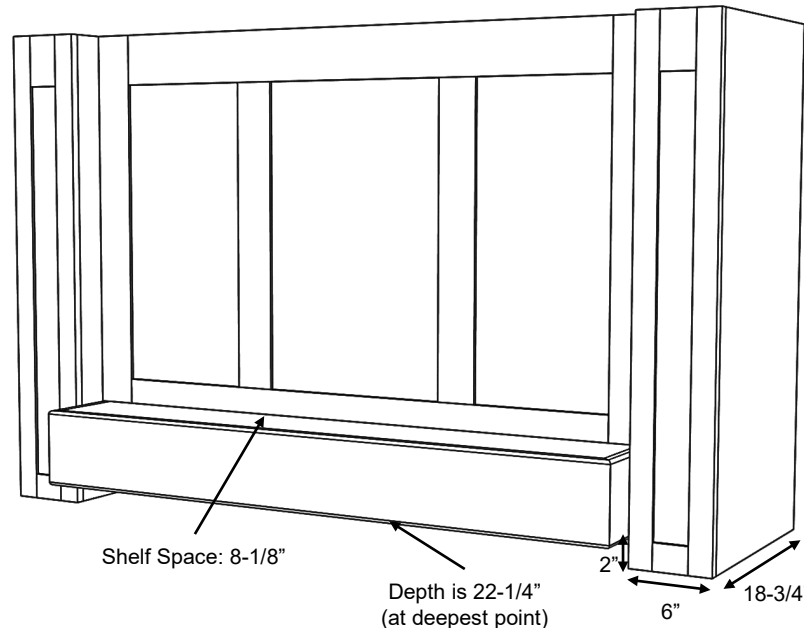
* Top center panel is three panels rather than two, due to width of hood.



Shelf Space: 8-1/8"

Depth is 23-3/8"
(at deepest point)

*H2 Series shown with SL Base (H2SL)
and #1 Classic molding
(42" – 54" wide will have 2 center panels)*



Shelf Space: 8-1/8"

Depth is 22-1/4"
(at deepest point)

2"
6"
18-3/4"

*H2 Series shown with Hardwood Base (H2HW)
(60" – 72" wide will have 3 center panels)*

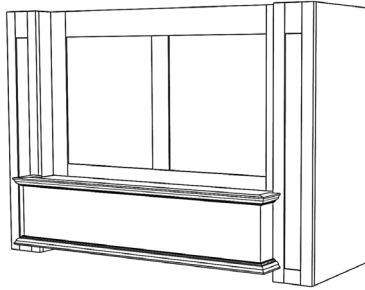
H2 Series

Standard Widths	42, 48, 54, 60, 66, 72 (Reduced widths available) To calculate minimum width, take range width plus 12". Example: A 36" range would get a 48" wide hood. (36 + 12 = 48)
Standard Heights	26, 32, 38, 44, 50 To calculate height, take ceiling height minus 64". Example: A 96" ceiling would have a 32" tall hood. (96 - 64 = 32)
Removable Options	Removable Panel is standard (MRP) 2" fixed top rail available by request (MRP-2TR) – see modifications section.
Standard Assumptions	Side columns will always have a flat panel
Ventilation	Hood must be a minimum of 12" wider than available vent width. Example: To use a 36" vent model, the hood should be a minimum of 48" wide
Available Moldings	#1 Classic, #2 Simple, #3 Basic
Grain Direction	Vertical (Base is horizontal)

Standard Heights: 26, 32, 38, 44, 50

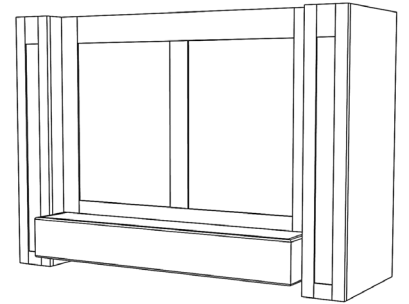
H2- Standard Base

H2 42
H2 48
H2 54
H2 60*
H2 66*
H2 72*



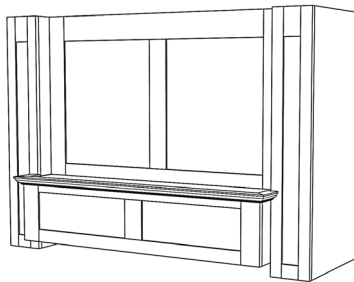
H2- Hardwood Base

H2HW 42
H2HW 48
H2HW 54
H2HW 60*
H2HW 66*
H2HW 72*



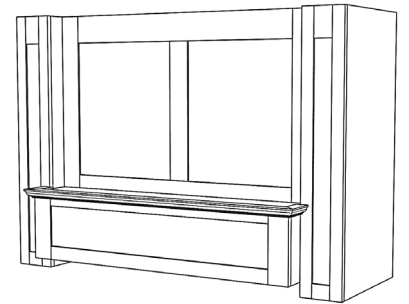
H2- RS Base

H2RS 42
H2RS 48
H2RS 54
H2RS 60*
H2RS 66*
H2RS 72*



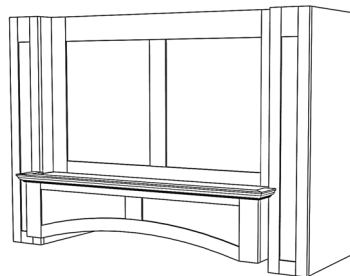
H2- RSS Base

H2RSS 42
H2RSS 48
H2RSS 54
H2RSS 60*
H2RSS 66*
H2RSS 72*



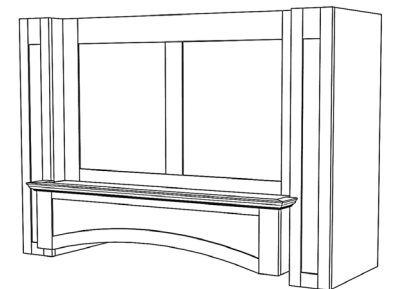
H2- RA Base

H2RA 42
H2RA 48
H2RA 54
H2RA 60*
H2RA 66*
H2RA 72*



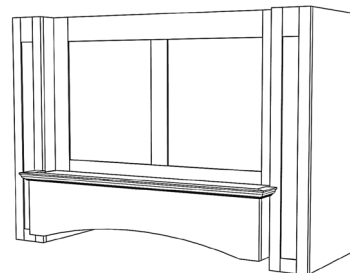
H2- DP2 Base

H2DP2 42
H2DP2 48
H2DP2 54
H2DP2 60*
H2DP2 66*
H2DP2 72*



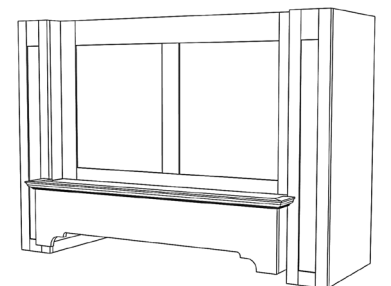
H2- SL Base

H2SL 42
H2SL 48
H2SL 54
H2SL 60*
H2SL 66*
H2SL 72*

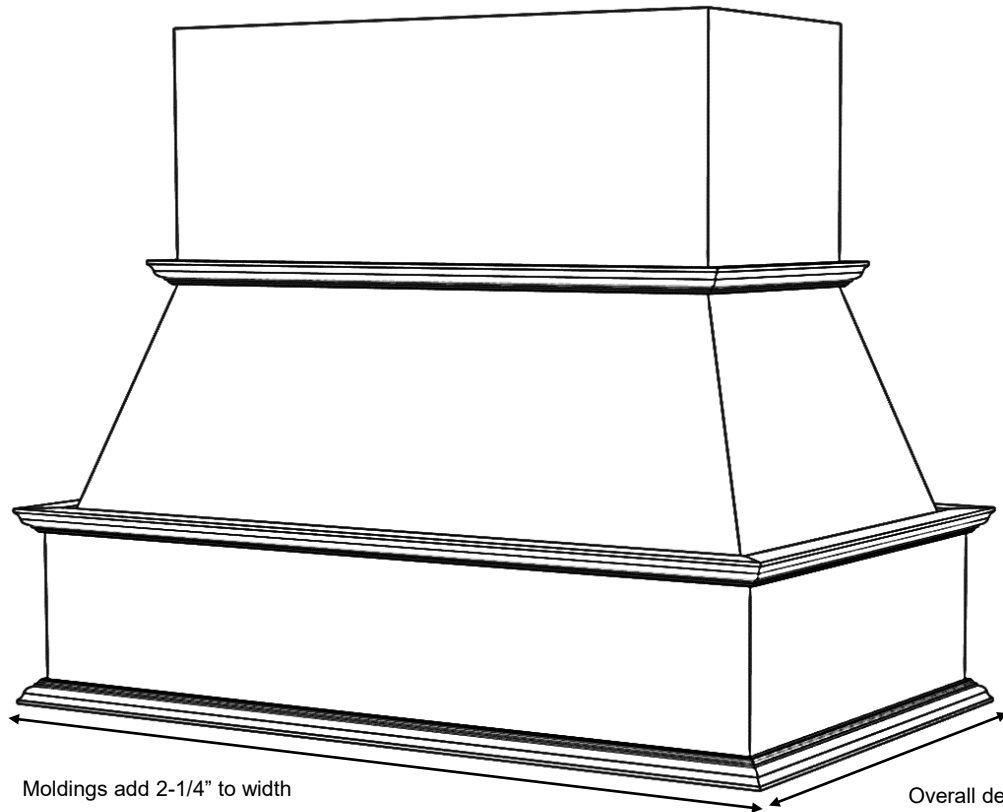


H2- DP1 Base

H2DP1 42
H2DP1 48
H2DP1 54
H2DP1 60*
H2DP1 66*
H2DP1 72*



* Top center panel is three panels rather than two, due to width of hood



Moldings add 2-1/4" to width

Overall depth is 26-3/8"

*I Series shown with Standard Base (1)
and #1 Classic moldings*

I Series

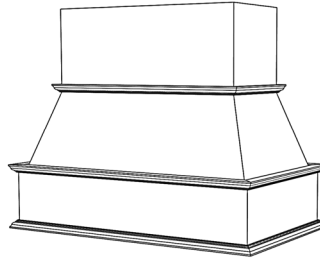
Standard Widths	36, 42, 48, 54, 60 (Reduced widths available) (Order 6" wider than cooking surface for best capture area)
Standard Heights	30, 36, 42, 48 (Reduced heights available) (Not able to be trimmed in the field)
Removable Options	Applied Removable Panel (ARP) – see modifications section.
Ventilator	Hood will be same width as available vent width. Example: To use a 36" vent model, the hood should be a minimum of 36" wide (PML – Pro Mesh Liner is the only available Stanisci vent unit for Island hood.)
Available Moldings	#1 Classic, #2 Simple, #3 Basic
Grain Direction	Vertical (Base is horizontal)

700 South Gaspie Street • Oxford, MI 48371 • (248) 572-6880 • email: sales@wood-hood.com • www.wood-hood.com

Standard Heights: 30, 36, 42, 48

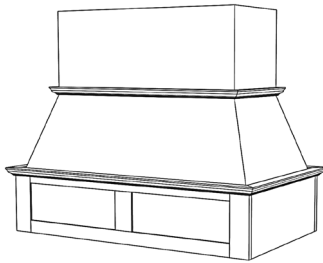
I- Standard Base

- | 36
- | 42
- | 48
- | 54
- | 60



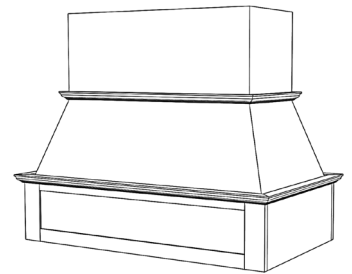
I- RS Base

- IRS 36
- IRS 42
- IRS 48
- IRS 54
- IRS 60



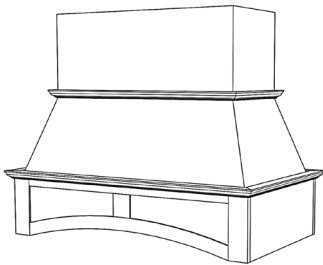
I- RSS Base

- IRSS 36
- IRSS 42
- IRSS 48
- IRSS 54
- IRSS 60



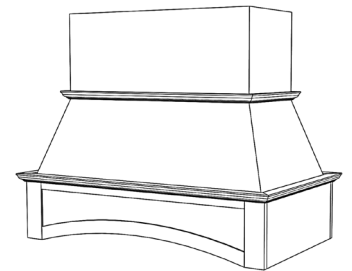
I- RA Base

- IRA 36
- IRA 42
- IRA 48
- IRA 54
- IRA 60



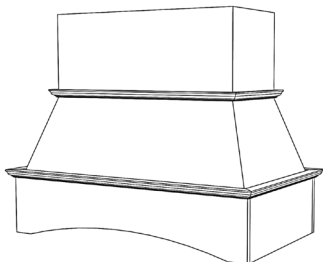
I- DP2 Base

- IDP2 36
- IDP2 42
- IDP2 48
- IDP2 54
- IDP2 60



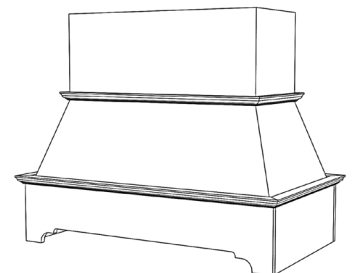
I- SL Base

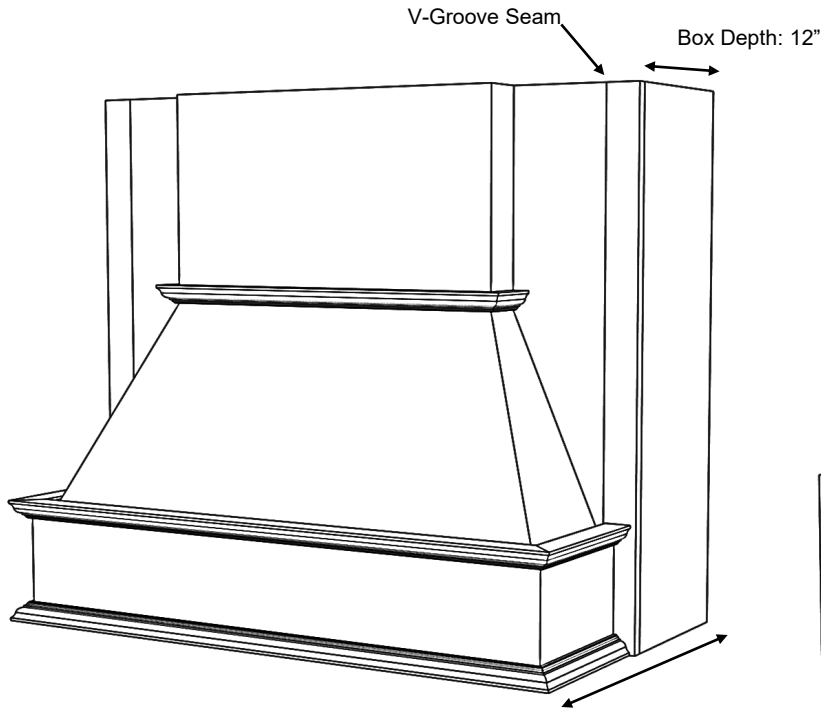
- ISL 36
- ISL 42
- ISL 48
- ISL 54
- ISL 60



I- DP1 Base

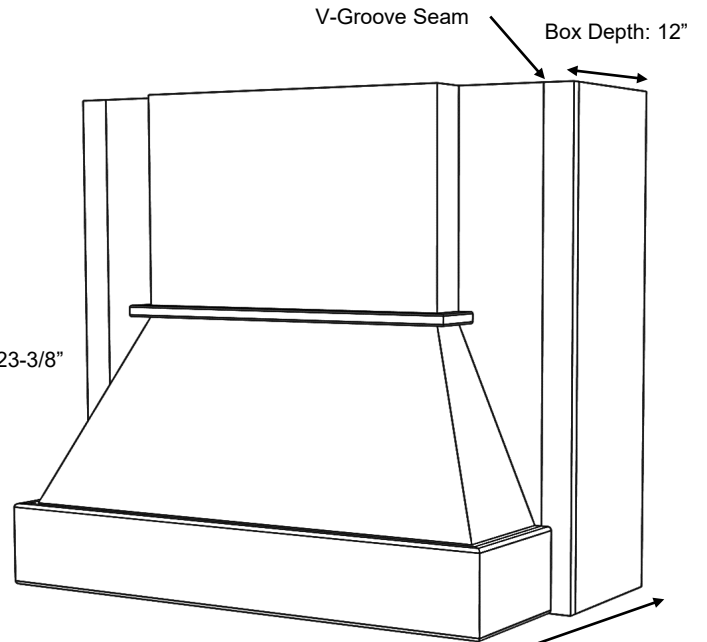
- IDP1 36
- IDP1 42
- IDP1 48
- IDP1 54
- IDP1 60





J Series shown with Standard Base (J) and #1 Classic moldings

Overall Depth is 23-3/8"



J Series shown with Hardwood Base (JHW)

Depth is 22-1/4"

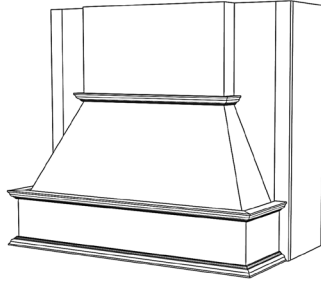
J Series

Standard Widths	33, 36, 39, 42, 45, 48, 51, 54, 57, 60, 63 (Reduced widths available)
Standard Heights	30, 36, 42, 48 (Reduced heights available)
Removable Options	Removable Front (RF) – Rear Box will be 14" – see modifications section. Applied Removable Panel (ARP) – see modifications section.
Available Options	12" Rear Box can be modified by request.
Ventilation	Hood must be a minimum of 3" wider than available vent width. Example: To use a 36" vent model, the hood should be a minimum of 39" wide
Available Moldings	#1 Classic, #2 Simple, #3 Basic
Grain Direction	Vertical (Base is horizontal)

Standard Heights: 30, 36, 42, 48

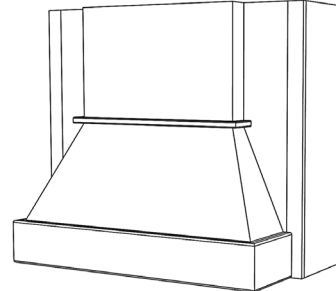
J- Standard Base

J 33
J 36
J 39
J 42
J 45
J 48
J 51
J 54
J 57
J 60
J 63



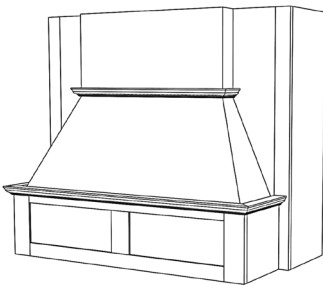
J- Hardwood Base

JHW 33
JHW 36
JHW 39
JHW 42
JHW 45
JHW 48
JHW 51
JHW 54
JHW 57
JHW 60
JHW 63



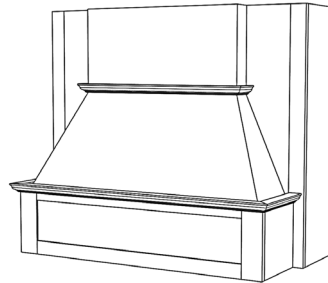
J- RS Base

JRS 33
JRS 36
JRS 39
JRS 42
JRS 45
JRS 48
JRS 51
JRS 54
JRS 57
JRS 60
JRS 63



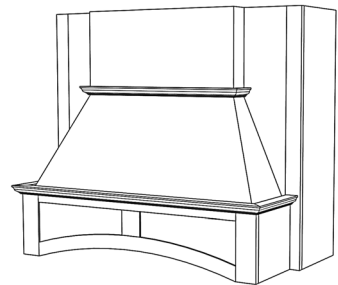
J- RSS Base

JRSS 33
JRSS 36
JRSS 39
JRSS 42
JRSS 45
JRSS 48
JRSS 51
JRSS 54
JRSS 57
JRSS 60
JRSS 63



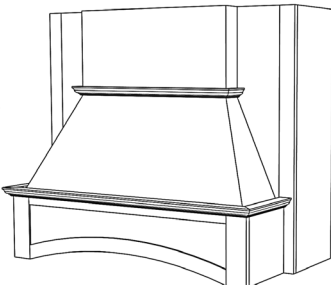
J- RA Base

JRA 33
JRA 36
JRA 39
JRA 42
JRA 45
JRA 48
JRA 51
JRA 54
JRA 57
JRA 60
JRA 63



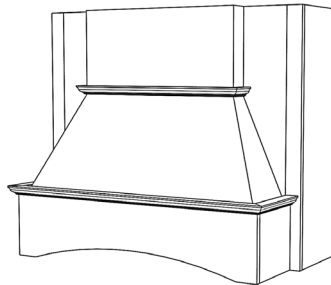
J- DP2 Base

JDP2 33
JDP2 36
JDP2 39
JDP2 42
JDP2 45
JDP2 48
JDP2 51
JDP2 54
JDP2 57
JDP2 60
JDP2 63



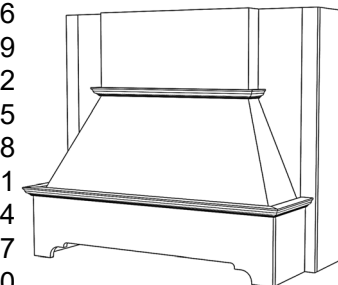
J- SL Base

JSL 33
JSL 36
JSL 39
JSL 42
JSL 45
JSL 48
JSL 51
JSL 54
JSL 57
JSL 60
JSL 63

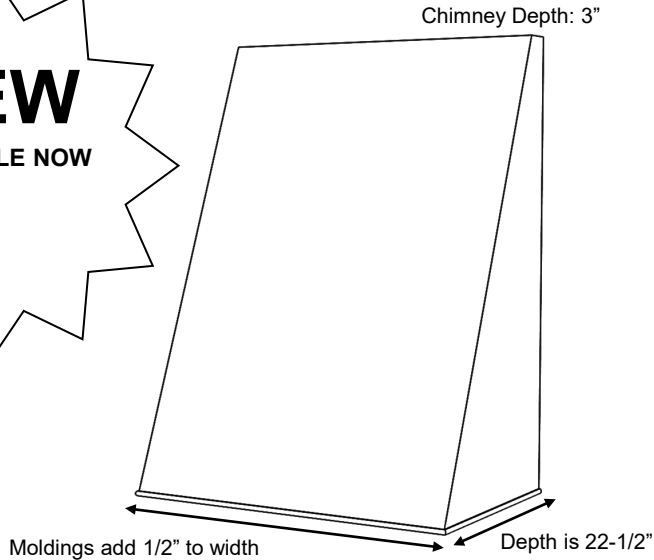


J- DP1 Base

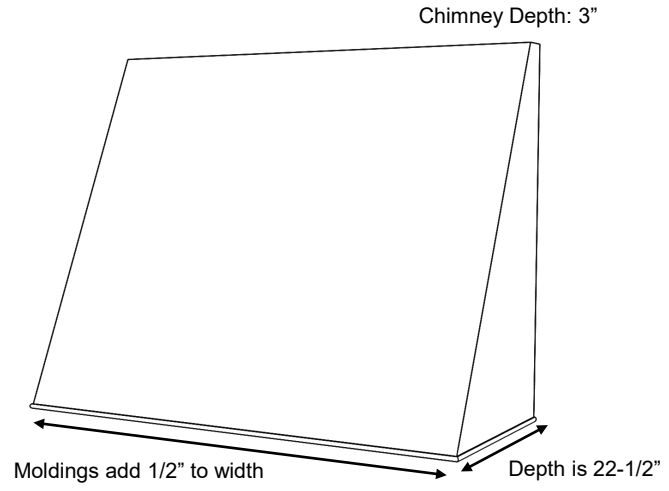
JDP1 33
JDP1 36
JDP1 39
JDP1 42
JDP1 45
JDP1 48
JDP1 51
JDP1 54
JDP1 57
JDP1 60
JDP1 63



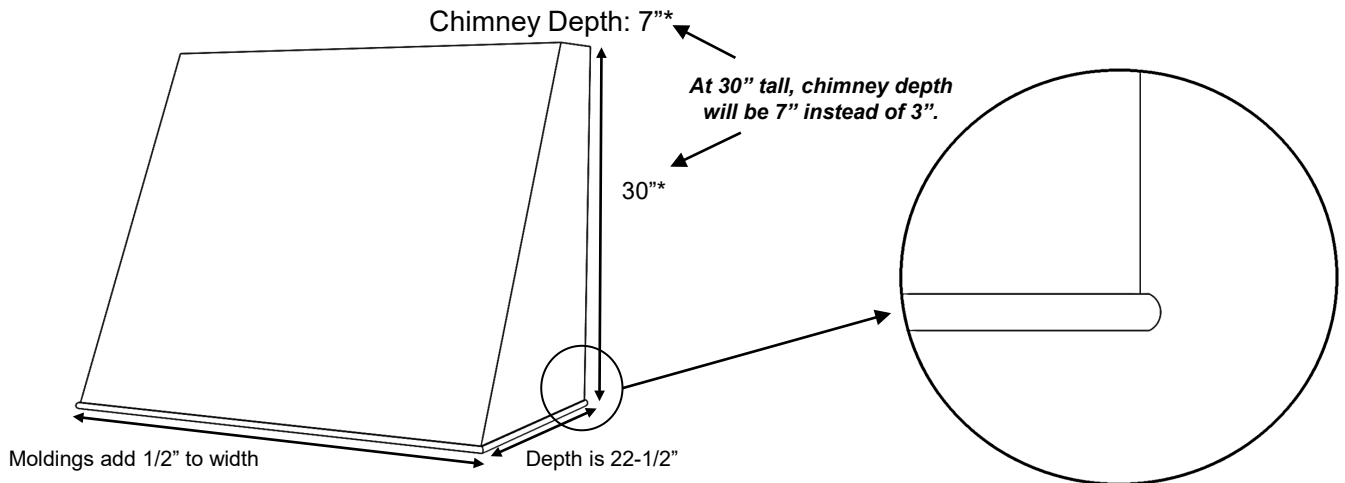
NEW
AVAILABLE NOW



K200 shown 30 wide x 42 high (K200)



K200 shown 54 wide x 42 high (K200)



K200 shown 36 wide x 30 high (K200)

K200 Series

Standard Widths	30, 36, 42, 48, 54, 60 (Reduced widths available)
Standard Heights	30, 36, 42, 48, 54, 60 (Reduced heights available)
Removeable Options	Not available
Ventilation	Hood will be same width as available vent width. Example: To use a 36" vent model, the hood should be a minimum of 36" wide (PML- Special Depth 18-1/8" Pro Mesh Liner is only available Stanisci vent unit) Ventilation must be ducted out of the rear of the hood.
Grain Direction	Vertical Hoods over 48" wide will have horizontal grain

700 South Gaspie Street • Oxford, MI 48371 • (248) 572-6880 • email: sales@wood-hood.com • www.wood-hood.com

Standard Heights: 30**, 36, 42, 48, 54, 60

NEW

AVAILABLE NOW

K200

K200 30

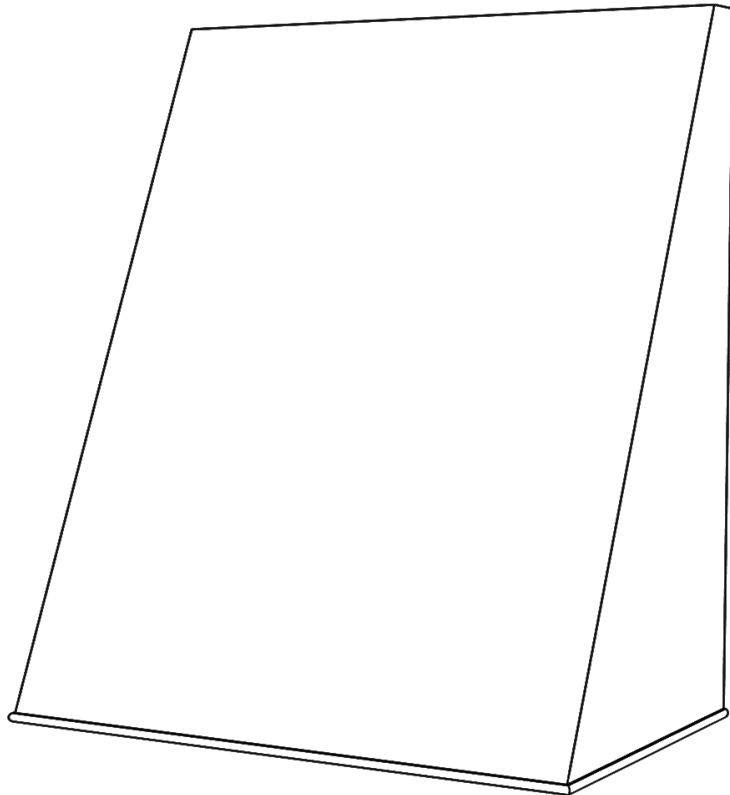
K200 36

K200 42

K200 48

K200H 54*

K200H 60*

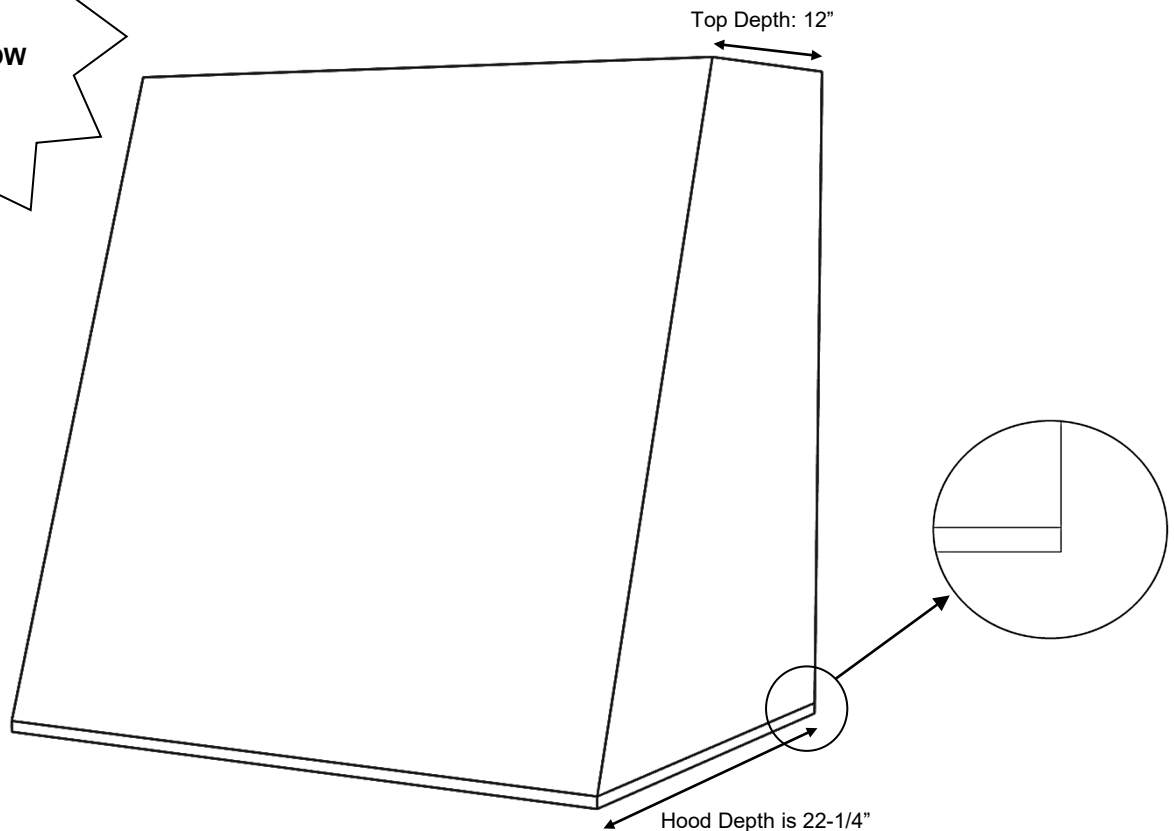


* Hoods over 48" wide have a maximum height of 42" and will have horizontal grain.

** At 30" tall, the top depth will be 7" instead of 3".

NEW

AVAILABLE NOW



K300 Series Hood (K300)

K300 Series

Standard Widths	30, 36, 42, 48, 54, 60 (Reduced widths available)
Standard Heights	30, 36, 42, 48, 54, 60 (Reduced heights available)
Removeable Options	Not available
Ventilation	Hood will be same width as available vent width. Example: To use a 36" vent model, the hood should be a minimum of 36" wide. (PML – Special Depth 18-1/8" Pro Mesh Liner is only available Stanisci vent unit)
Grain Direction	<ul style="list-style-type: none"> Vertical Hoods over 48" wide will have horizontal grain

Standard Heights: 30, 36, 42, 48, 54, 60



K300

K300 30

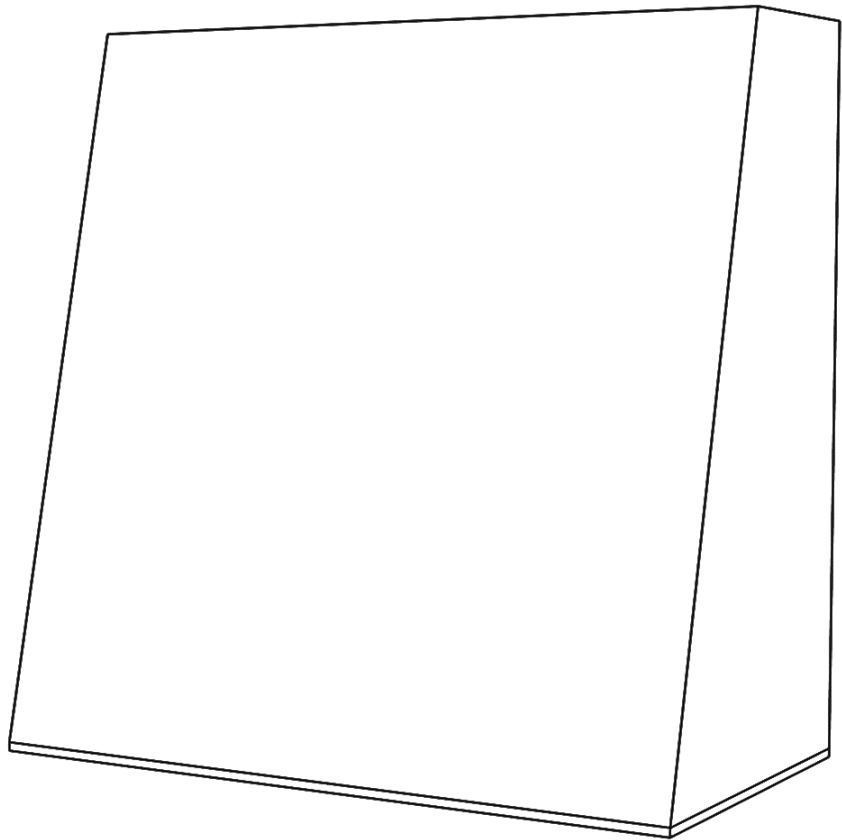
K300 36

K300 42

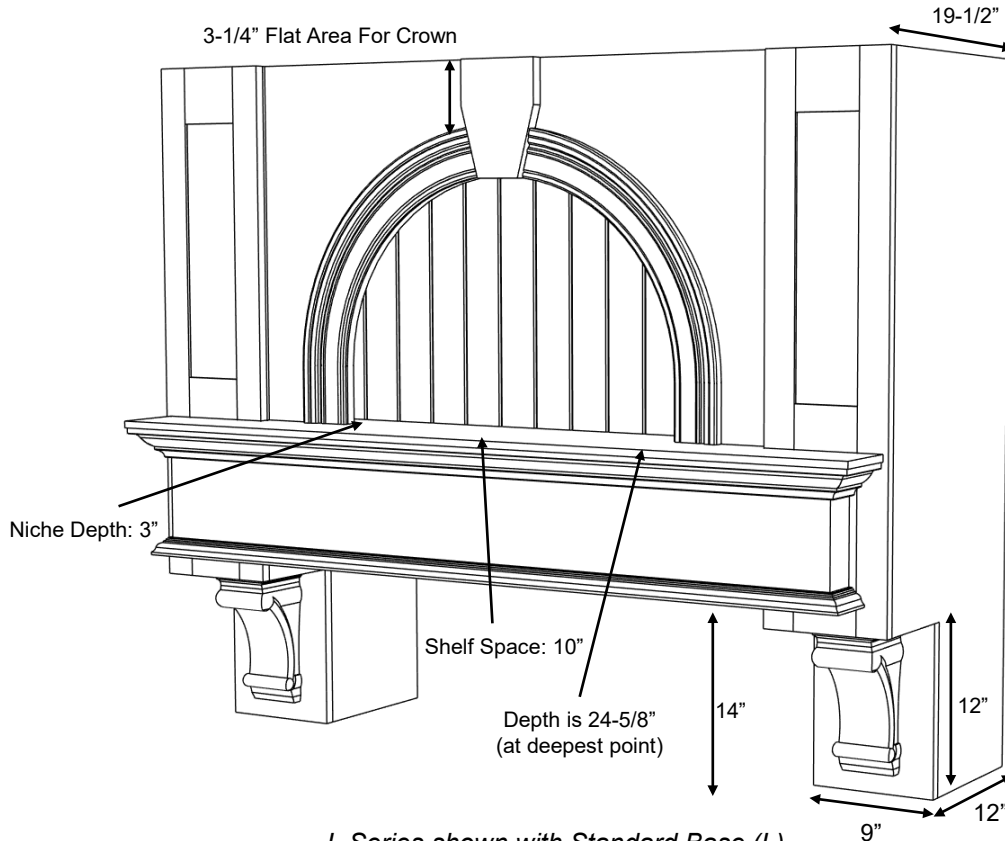
K300 48

K300H 54*

K300H 60*



* Hoods over 48" wide have a maximum height of 42" and will have horizontal grain.



L Series shown with Standard Base (L), #1 Classic moldings and optional Corbels

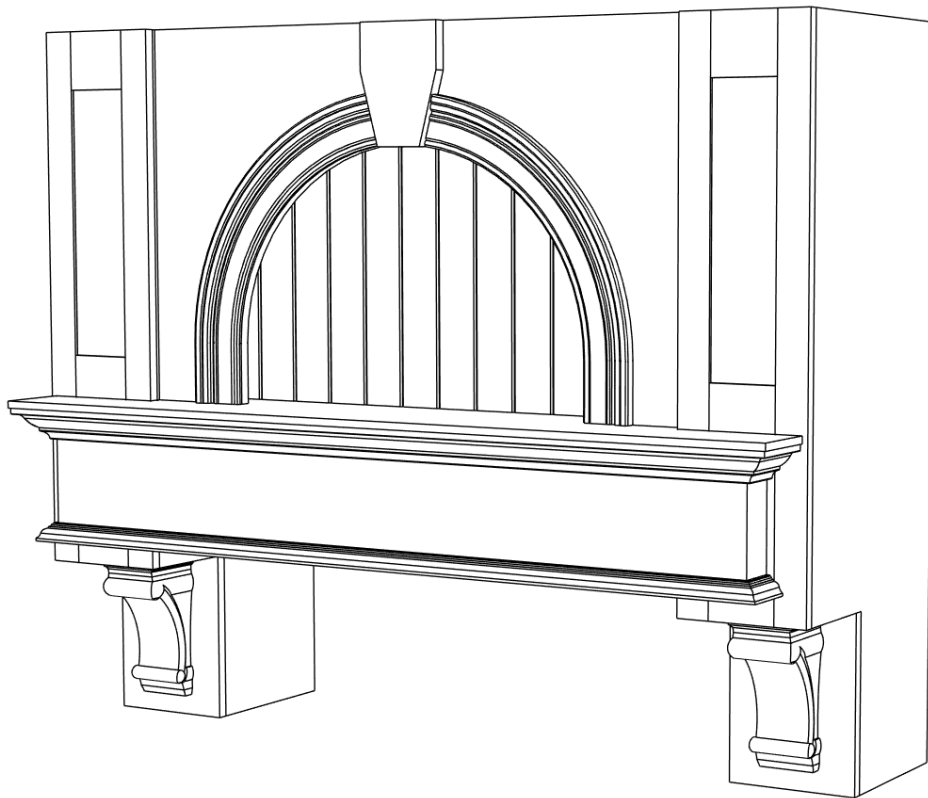
L Series

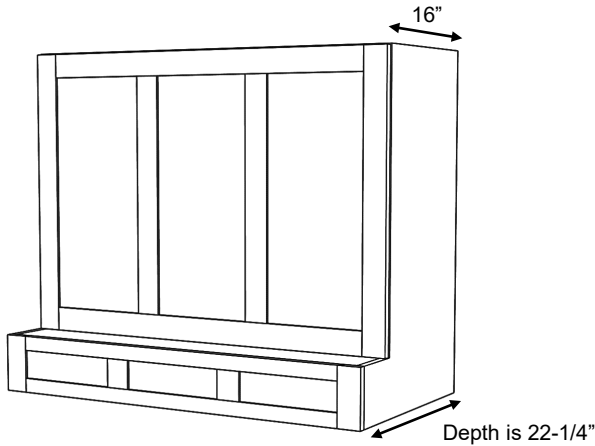
Standard Widths	48, 54, 60, 66, 72, 78 (Reduced widths available) To calculate minimum width, take range width plus 18". Example: A 36" range would get a 54" wide hood. (36 + 18 = 54)
Standard Heights	44, 50, 56, 62 (Reduced heights available) To calculate height, take ceiling height minus 52". Example: A 96" ceiling would have a 44" tall hood. (96 - 52 = 44)
Removable Options	Removable Panel is standard (Two seams in beading to allow for access) Non-bead panel by request – will not be removable (NBNA) - see modifications section.
Available Options	Corbels (All Stanisci corbels will fit this design)
Ventilation	Hood must be a minimum of 18" wider than available vent width. Example: To use a 36" vent model, the hood should be a minimum of 54" wide.
Available Moldings	#1 Classic, #2 Simple
Grain Direction	Vertical (Base is horizontal)

Standard Heights: 44, 50, 56, 62

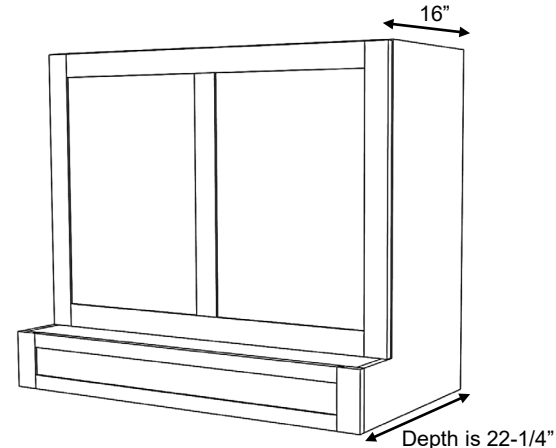
L- Standard Base

- L 48
- L 54
- L 60
- L 66
- L 72
- L 78

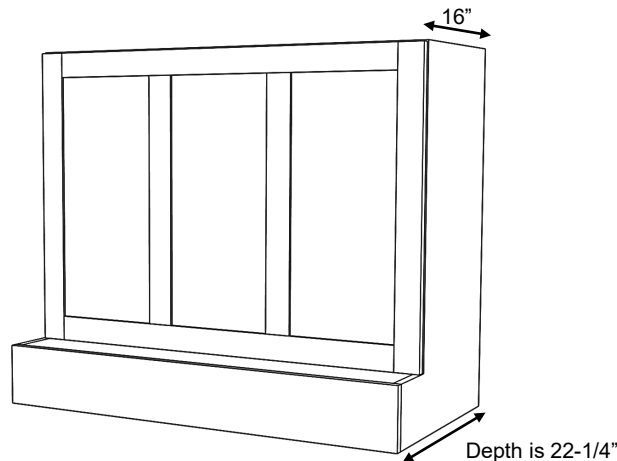




*L2 Series shown with 3 Upper Door Panels
and 3 Base Door Panels (L2BPUP 3-3)*



*L2 Series shown with 2 Upper Door Panels
and 1 Base Door Panel (L2BPUP 1-2)*



*L2 Series shown with 3 Upper Door Panels
And Hardwood Slab (L2UP -3)*

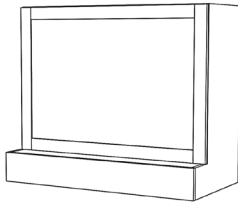
L2 Series

Standard Widths	30, 36, 42, 48, 54, 60 (Reduced widths available)
Standard Heights	24, 30, 36, 42, 48 (Reduced heights available)
Removable Options	Removable Panel - Standard
Available Options	Applied Molding Wrap (See options page) Applied Hardwood Wrap (See options page)
Standard Assumptions	Base door panels must be flat
Ventilation	Hood will be same width as available vent width. Example: To use a 36" vent model, the hood should be a minimum of 36" wide
Grain Direction	Vertical (Base is horizontal)

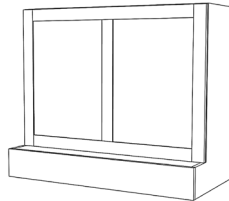
Standard Widths: 30, 36, 42, 48, 54, 60

Standard Heights: 24, 30, 36, 42, 48

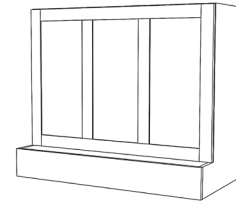
L2UP 1*



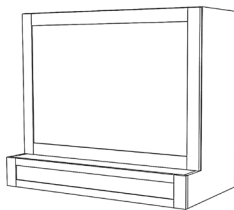
L2UP 2**



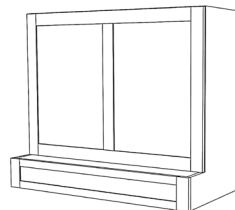
L2UP 3



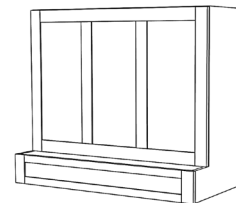
L2BPUP 1-1*



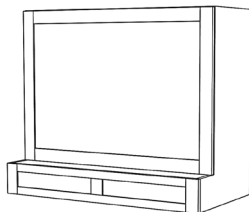
L2BPUP 1-2**



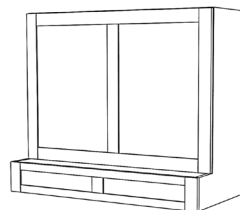
L2BPUP 1-3



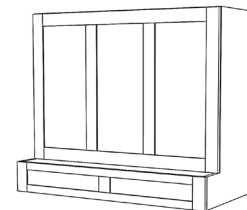
L2BPUP 2-1*



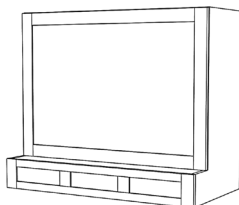
L2BP 2-2**



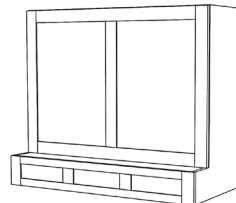
L2BPUP 2-3



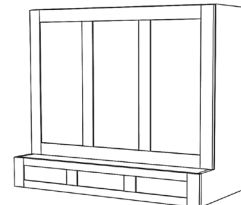
L2BPUP 3-1*



L2BPUP 3-2**

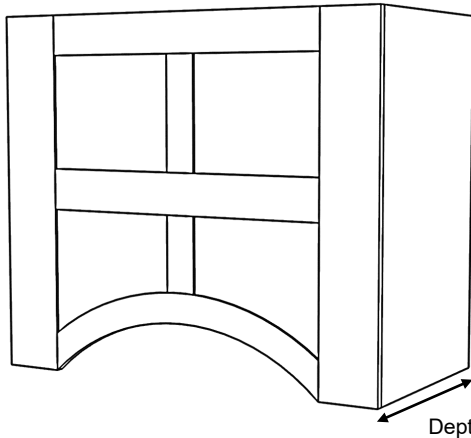


L2BPUP 3-3

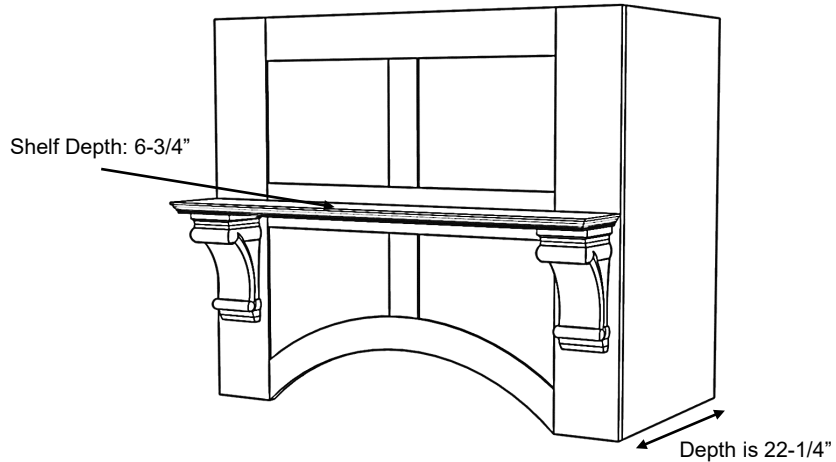


* In all sizes, 1 upper door panel option requires Paint Grade.

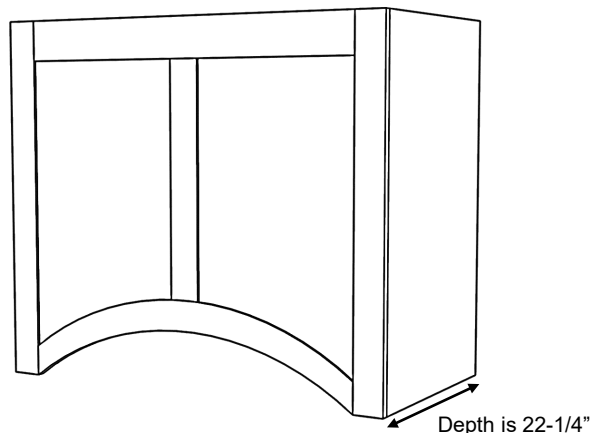
** Hoods over 48" wide, 2 upper door panel option requires Paint Grade.



M Series shown with no shelf (M)



MS Series shown with optional corbels (MS)



MDP Series (MDP)

M Series

Standard Widths	30, 36, 42, 48, 54, 60 (Reduced widths available)
Standard Heights	24, 30, 36, 42, 48 (Reduced heights available)
Removable Options	Removable Panel – Standard on MS style only (MRP) 2" fixed top rail available by request (MRP-2TR) –See modifications section.
Available Options	Decorative shelf is the default shelf style Basic shelf style is available upon request Corbels – All Stanisci corbel options will fit this design (See corbel options page)
Ventilation	Hood will be same width as available vent width. Example: To use a 36" vent model, the hood should be a minimum of 36" wide
Grain Direction	Vertical

Standard Heights: 24, 30, 36, 42, 48



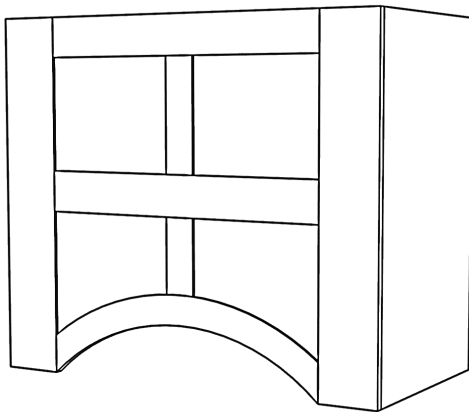
Decorative Shelf- Standard



Basic Shelf- Optional

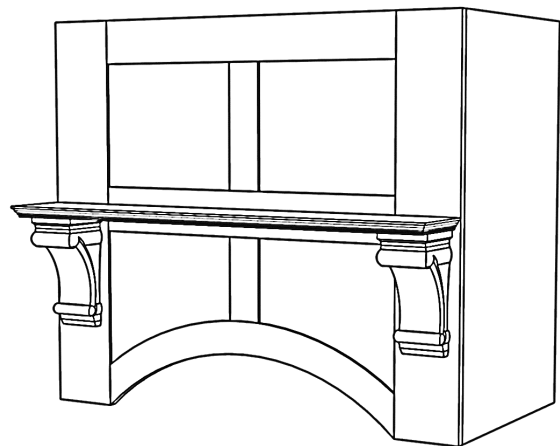
M- 4 Panels Without Shelf

- M 30
- M 36
- M 42
- M 48
- M 54
- M 60



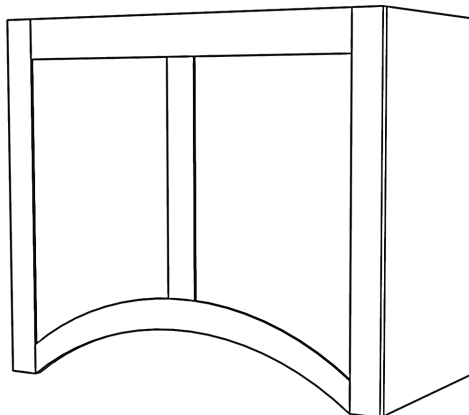
MS- 4 Panels With Shelf

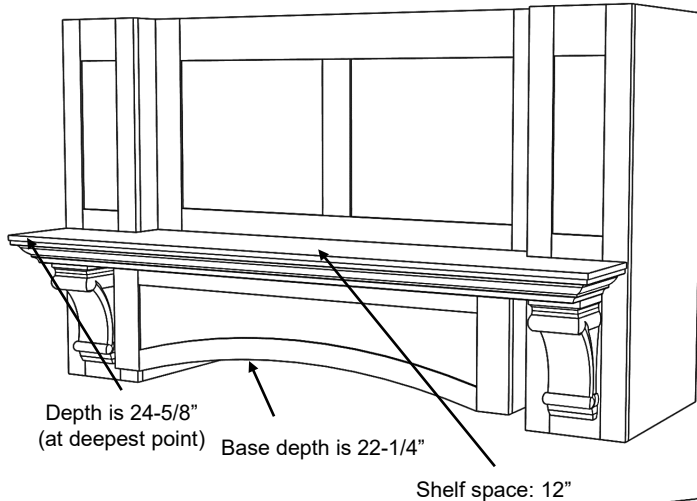
- MS 30
- MS 36
- MS 42
- MS 48
- MS 54
- MS 60



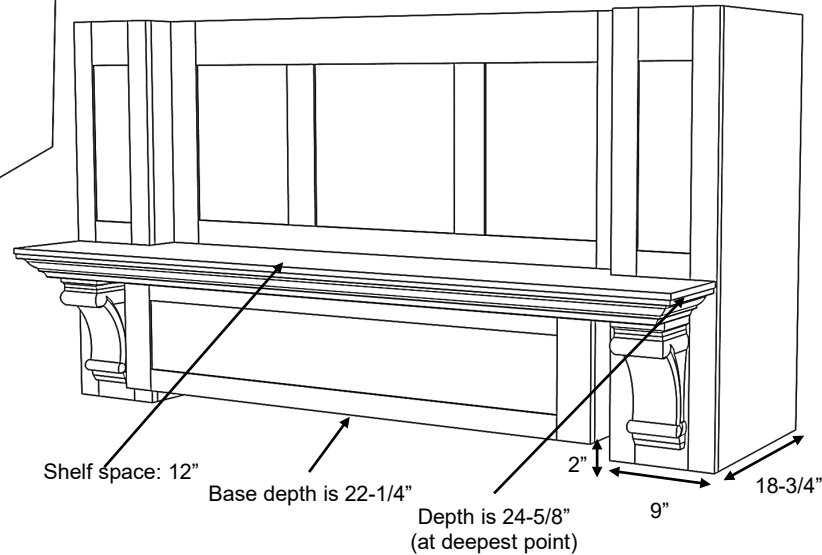
MDP- Two Panels

- MDP 30
- MDP 36
- MDP 42
- MDP 48
- MDP 54
- MDP 60





*N Series shown with DP2 Base (NDP2),
#1 Classic molding and optional corbels
(48" – 60" wide will have 2 center panels)*



*N Series shown with RSS Base (NRSS),
#1 Classic molding and optional corbels
(66" – 78" wide will have 3 center panels)*

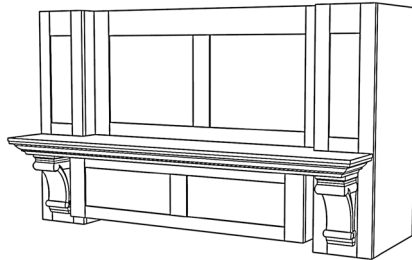
N Series

Standard Widths	48, 54, 60, 66, 72, 78 (Reduced widths available) To calculate minimum width, take range width plus 18". Example: A 36" range would get a 54" wide hood. (36 + 18 = 54)
Standard Heights	26, 32, 38, 44, 50 (Reduced heights available) To calculate height, take ceiling height minus 64". Example: A 96" ceiling would have a 32" tall hood. (96 - 64 = 32)
Removable Options	Removable Panel is standard (MRP) 2" fixed top rail available by request (MRP-2TR) – see modifications section.
Ventilation	Hood must be a minimum of 18" wider than available vent width. Example: To use a 36" vent model, the hood should be a minimum of 54" wide
Available Moldings	#1 Classic, #2 Simple
Available Options	Corbels - All Stanisci corbel options will fit this design (See corbel options page)
Grain Direction	Vertical (Base is horizontal)

Standard Heights: 26, 32, 38, 44, 50

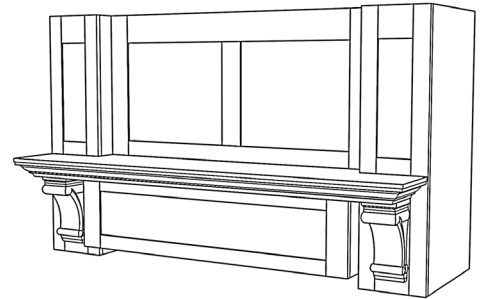
N- RS Base

NRS 48
NRS 54
NRS 60
NRS 66*
NRS 72*
NRS 78*



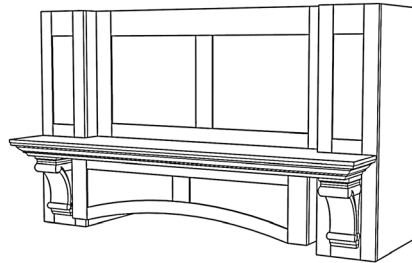
N- RSS Base

NRSS 48
NRSS 54
NRSS 60
NRSS 66*
NRSS 72*
NRSS 78*



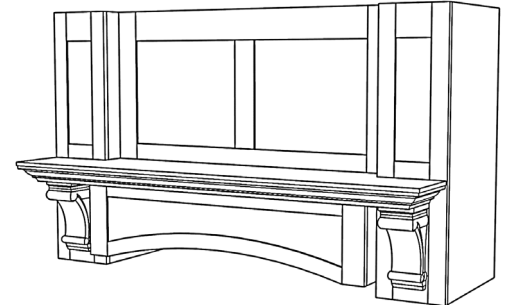
N- RA Base

NRA 48
NRA 54
NRA 60
NRA 66*
NRA 72*
NRA 78*



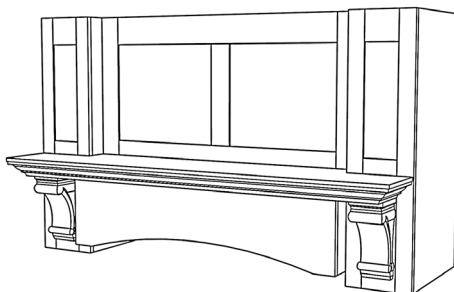
N- DP2 Base

NDP2 48
NDP2 54
NDP2 60
NDP2 66*
NDP2 72*
NDP2 78*



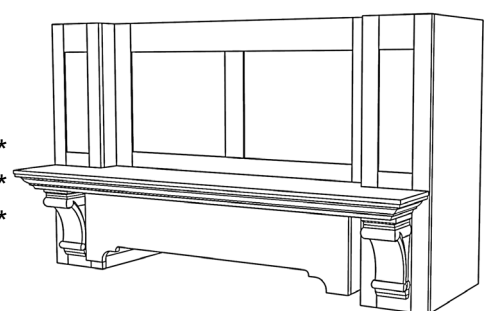
N- SL Base

NSL 48
NSL 54
NSL 60
NSL 66*
NSL 72*
NSL 78*

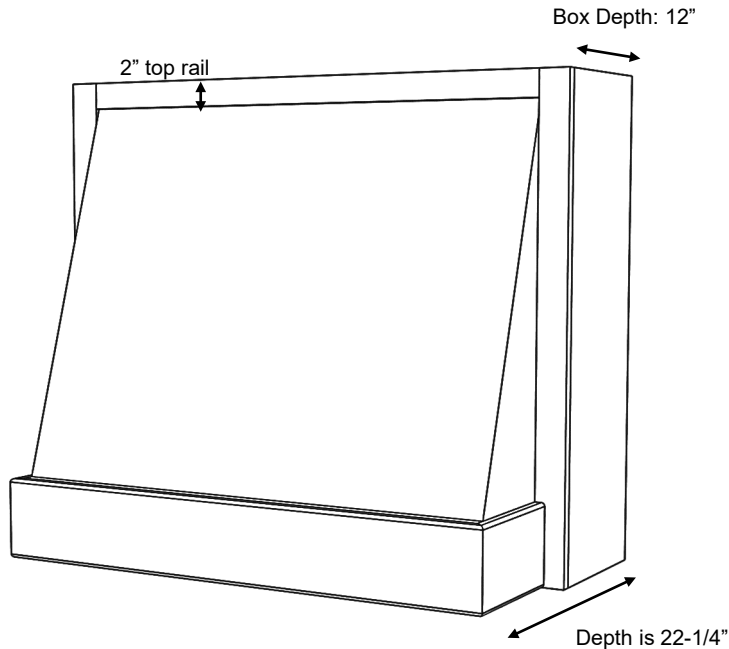


N- DP1 Base

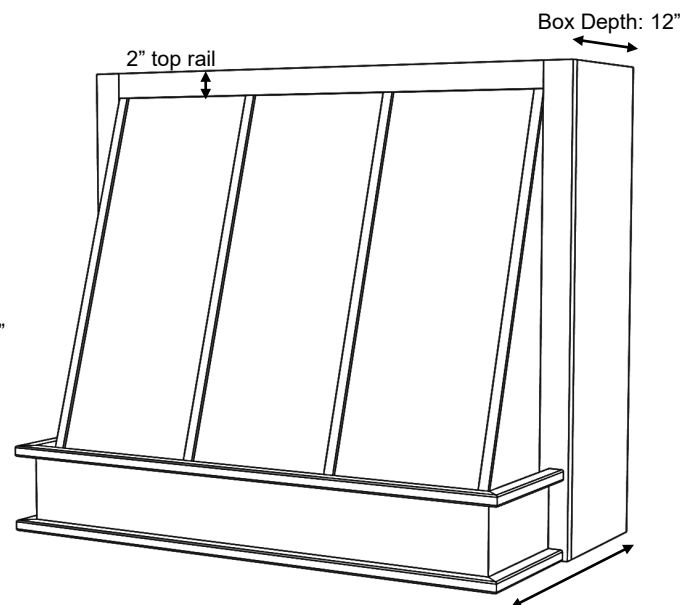
NDP1 48
NDP1 54
NDP1 60
NDP1 66*
NDP1 72*
NDP1 78*



*Top center panel is three panels rather than two, due to width of hood.



P Series shown with Hardwood Base (PHW)



*P Series shown with PL Base (PPL)
and optional Hardwood Battens*

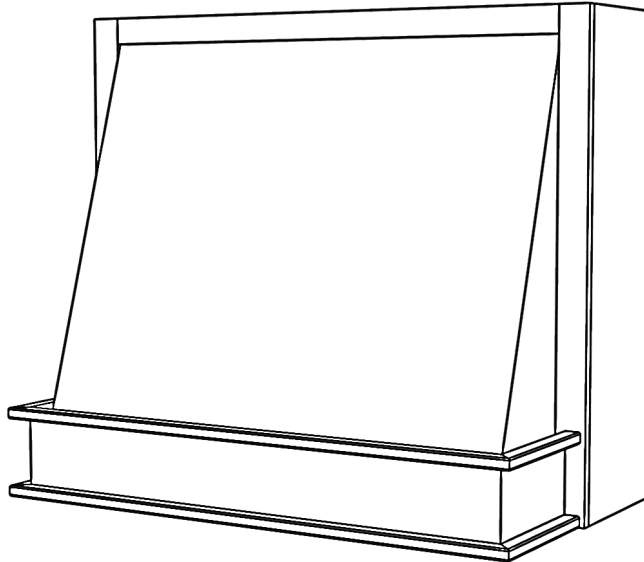
P Series

Standard Widths	33, 36, 39, 42, 45, 48, 51, 54, 57, 60, 63 (Reduced widths available)
Standard Heights	24, 30, 36, 42, 48 (Reduced heights available)
Removable Options	Removable Front (RF) – Rear Box Depth will be 16" – see modifications section. Applied Removable Panel (ARP) – see modifications section.
Ventilation	Hood must be a minimum of 3" wider than available vent width. Example: To use a 36" vent model, the hood should be a minimum of 39" wide
Available Moldings	#3 Basic is standard
Available Options	Hardwood Battens (See battens options page) 12" Box Depth can be modified by request
Grain Direction	Vertical (Base is horizontal)

Standard Heights: 24, 30, 36, 42, 48

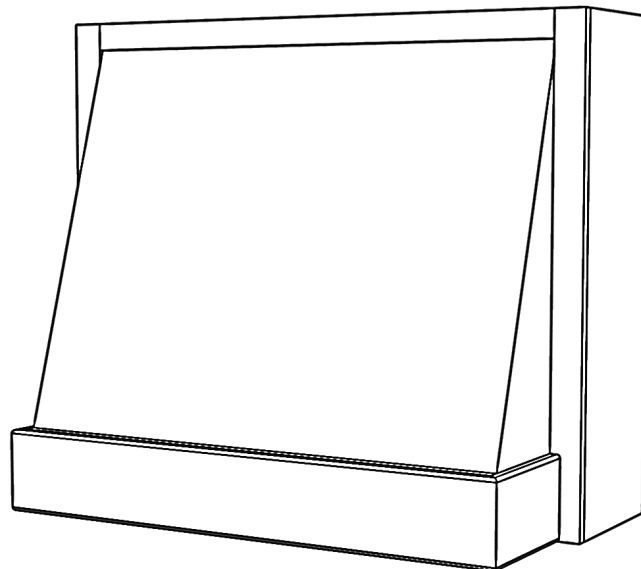
P- PL Base

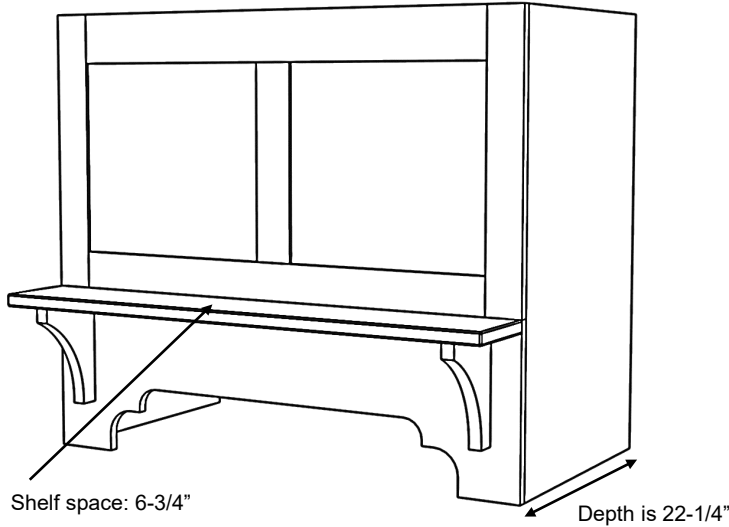
- PPL 33
- PPL 36
- PPL 39
- PPL 42
- PPL 45
- PPL 48
- PPL 51
- PPL 54
- PPL 57
- PPL 60
- PPL 63



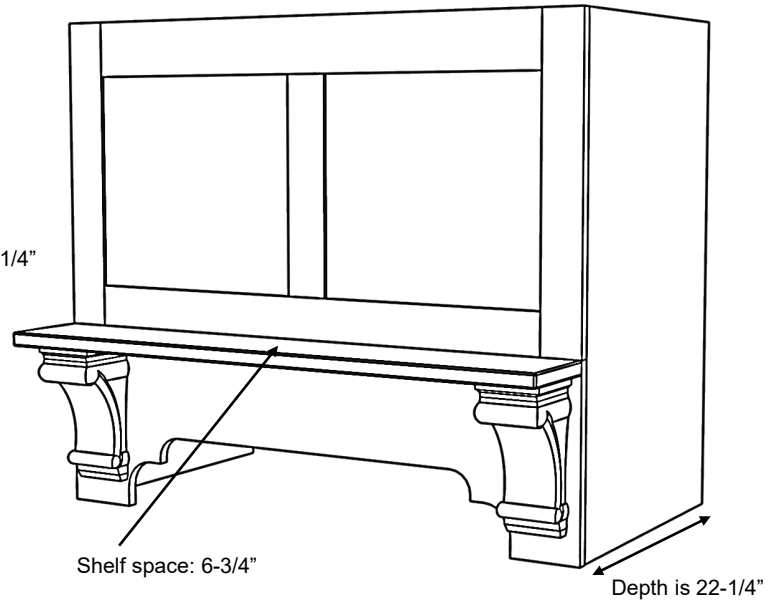
P- Hardwood Base

- PHW 33
- PHW 36
- PHW 39
- PHW 42
- PHW 45
- PHW 48
- PHW 51
- PHW 54
- PHW 57
- PHW 60
- PHW 63





Q Series with Bracket Corbels (QBKT)



*Q Series (QS)
shown with optional corbels.*

Q Series

Standard Widths	30, 36, 42, 48, 54, 60 (Reduced widths available)
Standard Heights	24, 30, 36, 42, 48 (Reduced heights available)
Removable Options	Removable Panel is standard (MRP) 2" fixed top rail available by request (MRP-2TR) – see modifications section.
Ventilator	Hood will be same width as available vent width. Example: To use a 36" vent model, the hood should be a minimum of 36" wide.
Available Options	Basic shelf is the default shelf style Decorative shelf style is available upon request Corbels – All Stanisci corbel options will fit this design (See corbel options page)
Grain Direction	Vertical (Base is horizontal)

Standard Heights: 24, 30, 36, 42, 48



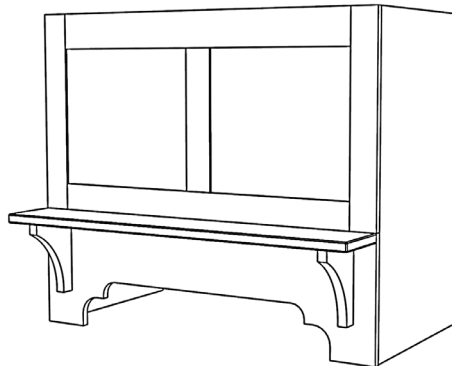
Basic Shelf- Standard



Decorative Shelf- Optional

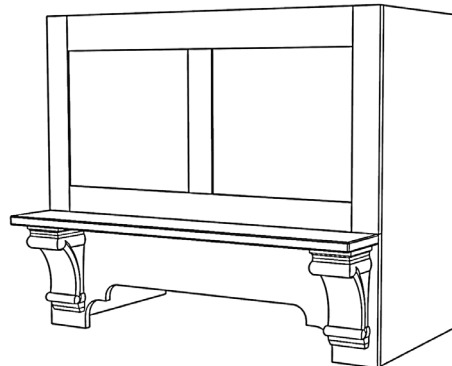
QBKT- With Shelf and Simple Brackets

- QBKT 30
- QBKT 36
- QBKT 42
- QBKT 48
- QBKT 54
- QBKT 60



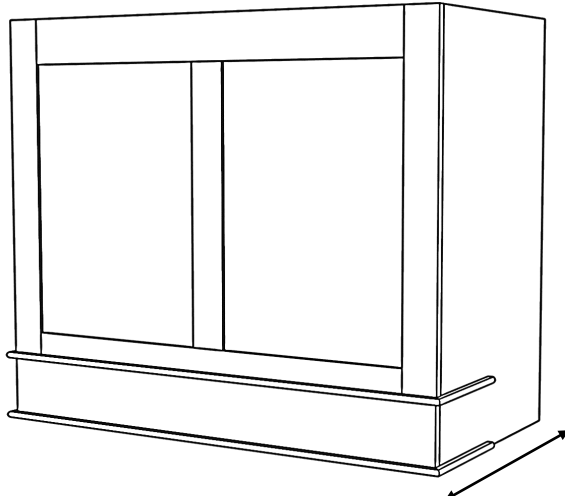
QS- With Shelf

- QS 30
- QS 36
- QS 42
- QS 48
- QS 54
- QS 60



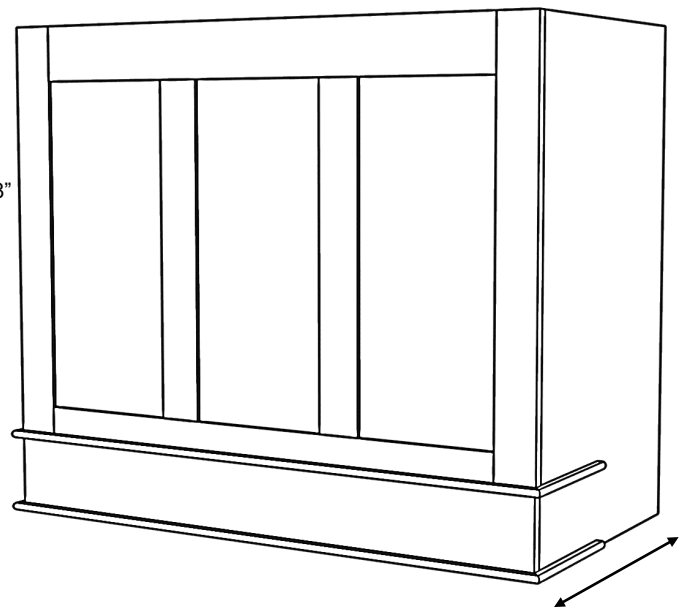
NEW

AVAILABLE FALL 2024



SB100 Series hood (SB100)
(30" – 42" wide will have 2 center panels)

Overall Depth is 22-7/8"



SB100 Series hood (SB100)
(48" – 60" wide will have 3 center panels)

Overall Depth is 22-7/8"

SB100 Series

Standard Widths	30, 36, 42, 48, 54, 60 (Reduced widths available)
Standard Heights	24, 30, 36, 42, 48 (Reduced heights available)
Removable Options	Removable Panel – standard (MRP) 2" fixed top rail available by request (MRP-2TR) – see modifications section.
Standard Assumptions	Moldings will be shipped loose w/ miters, cut and sized to full depth of hood, and field trimmed to size.
Ventilation	Hood will be same width as available vent width. Example: To use a 36" vent model, the hood should be a minimum of 36" wide.
Grain Direction	Vertical (Base is horizontal)

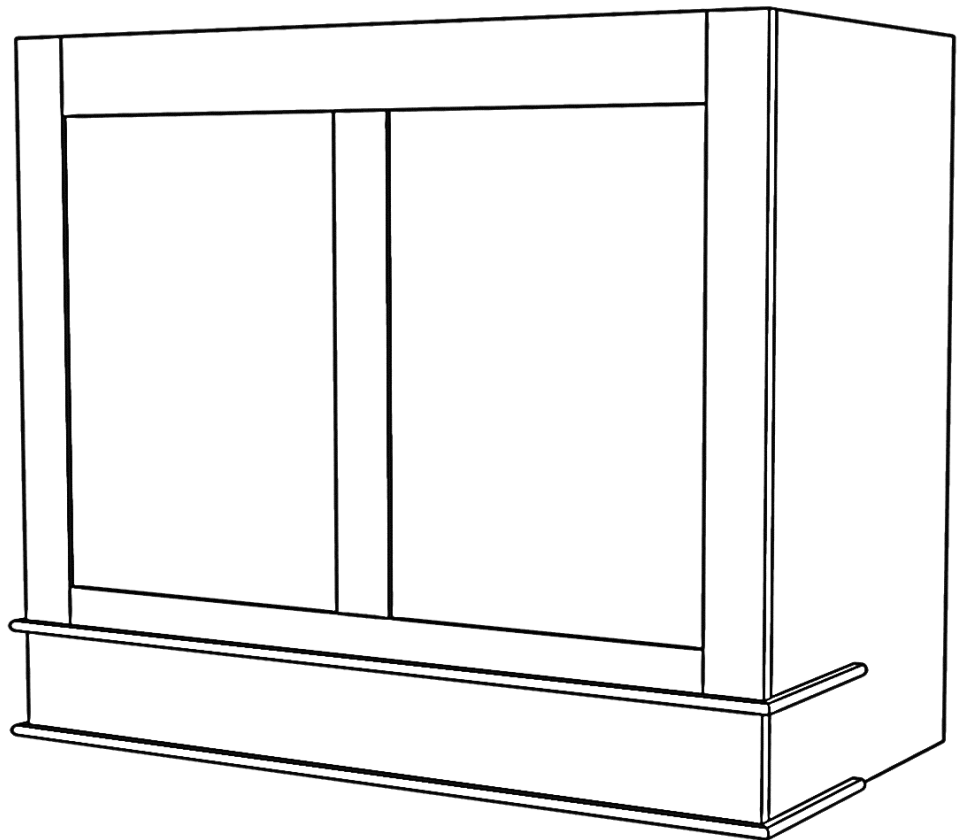
Standard Heights: 24, 30, 36, 42, 48

NEW

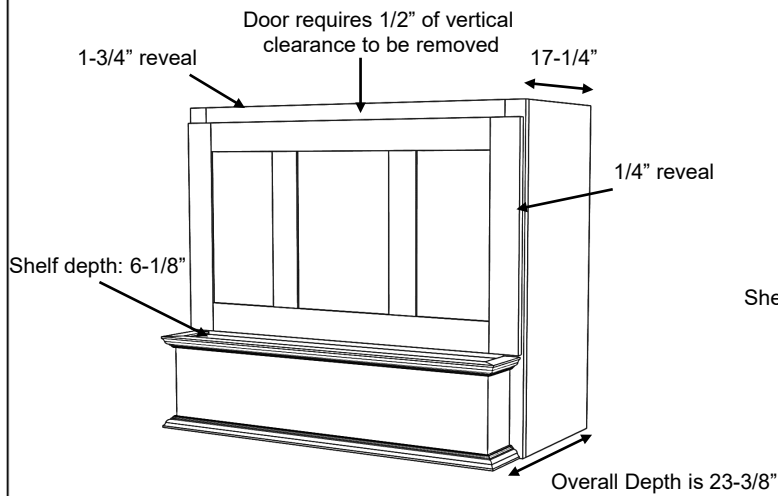
AVAILABLE FALL 2024

SB100

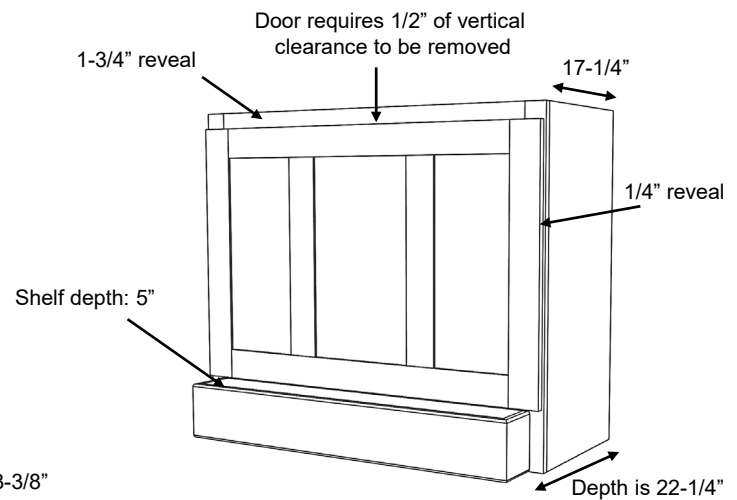
SB100 30
SB100 36
SB100 42
SB100 48*
SB100 54*
SB100 60*



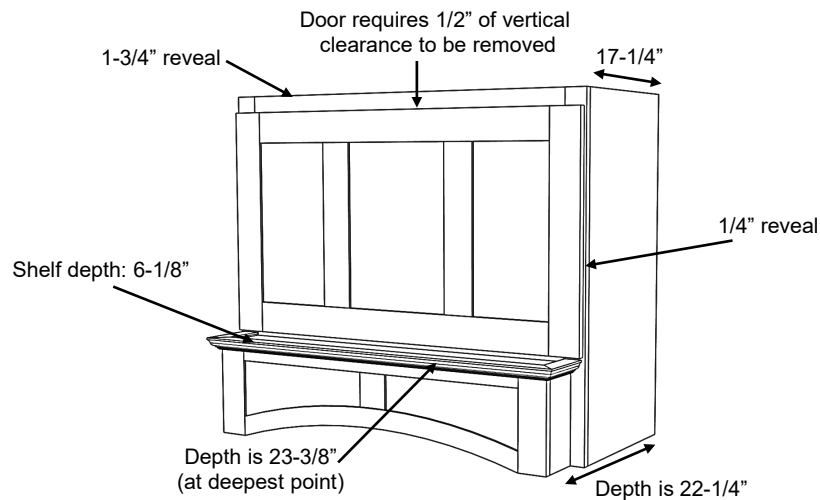
* There will be three panels rather than two, due to width of hood



*S Series shown with Standard Base (S)
and #1 Classic moldings*



S Series shown with Hardwood Base (SHW)



*S Series shown with RA Base (SRA)
and #1 Classic moldings*

S Series

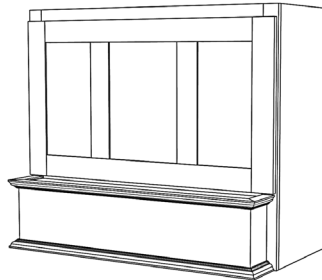
Standard Widths	33, 36, 39, 42, 45, 48, 51, 54, 57, 60, 63 (Reduced widths available)
Standard Heights	24, 30, 36, 42, 48 (Reduced heights available)
Removable Options	Removable Panel is standard Door removes by pulling upwards. Minimum 1/2" clearance is needed above top of door.
Ventilation	Hood must be a minimum of 3" wider than available vent width. Example: To use a 36" vent model, the hood should be a minimum of 39" wide.
Available Moldings	#1 Classic, #2 Simple, #3 Basic
Grain Direction	Vertical (Base is horizontal)

700 South Glaspie Street • Oxford, MI 48371 • (248) 572-6880 • email: sales@wood-hood.com • www.wood-hood.com

Standard heights of 24, 30, 36, 42, 48

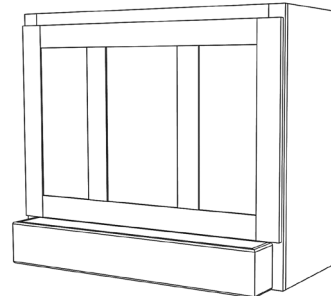
S- Standard Base

S 33
S 36
S 39
S 42
S 45
S 48
S 51
S 54
S 60
S 57
S 63



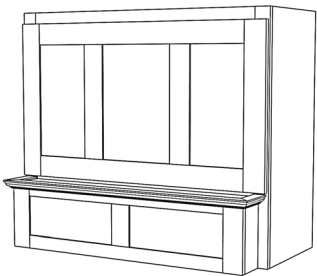
S- Hardwood Base

SHW 33
SHW 36
SHW 39
SHW 42
SHW 45
SHW 48
SHW 51
SHW 54
SHW 57
SHW 60
SHW 63



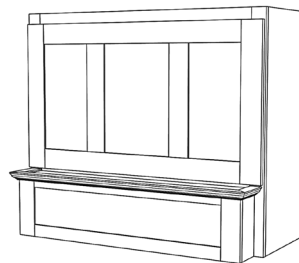
S- RS Base

SRS 33
SRS 36
SRS 39
SRS 42
SRS 45
SRS 48
SRS 51
SRS 54
SRS 57
SRS 60
SRS 63



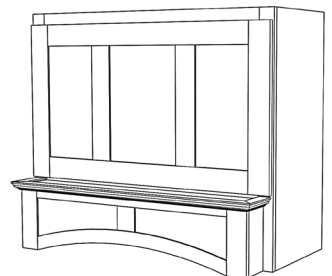
S- RSS Base

SRSS 33
SRSS 36
SRSS 39
SRSS 42
SRSS 45
SRSS 48
SRSS 51
SRSS 54
SRSS 57
SRSS 60
SRSS 63



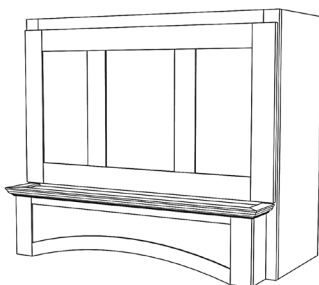
S- RA Base

SRA 33
SRA 36
SRA 39
SRA 42
SRA 45
SRA 48
SRA 51
SRA 54
SRA 57
SRA 60
SRA 63



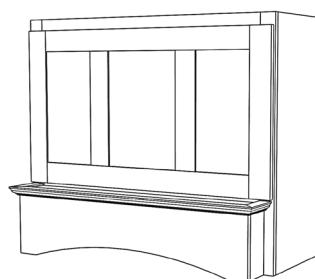
S- DP2 Base

SDP2 33
SDP2 36
SDP2 39
SDP2 42
SDP2 45
SDP2 48
SDP2 51
SDP2 54
SDP2 57
SDP2 60
SDP2 63



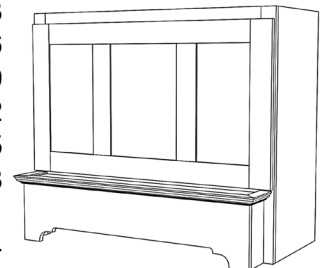
S- SL Base

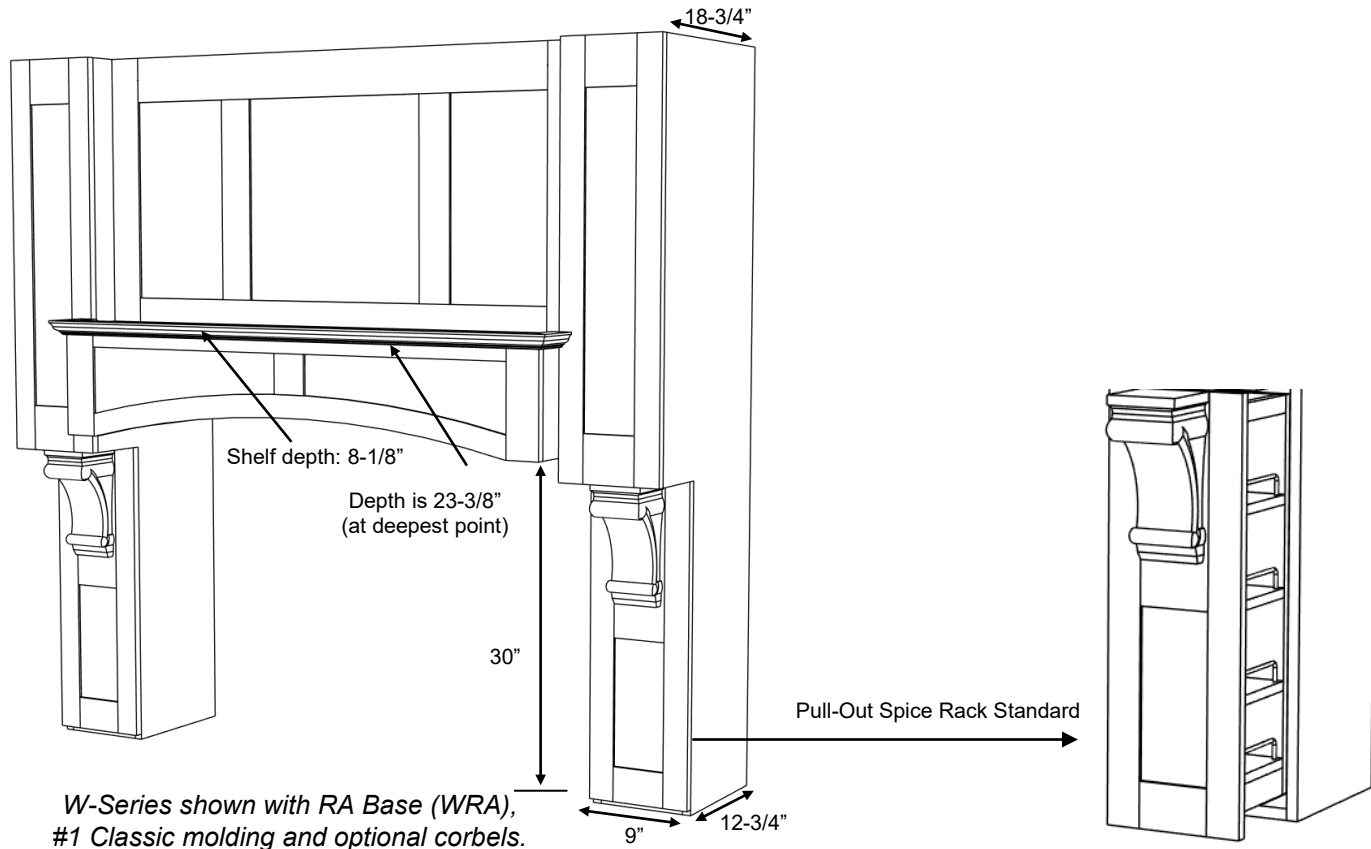
SSL 33
SSL 36
SSL 39
SSL 42
SSL 45
SSL 48
SSL 51
SSL 54
SSL 57
SSL 60
SSL 63



S- DP1 Base

SDP1 33
SDP1 36
SDP1 39
SDP1 42
SDP1 45
SDP1 48
SDP1 51
SDP1 54
SDP1 57
SDP1 60
SDP1 63





W Series

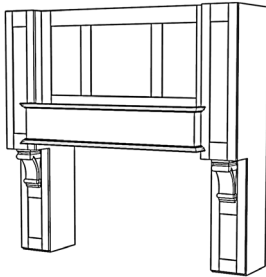
Standard Widths	66, 72, 78, 84, 90 (Reduced widths available) To calculate minimum width, take range width plus 36". Example: A 36" range would get a 72" wide hood. (36 + 36 = 72) (Assumes 9" clearance between cook top and leg on both sides. Refer to your local building codes for minimum required clearance.)
Standard Heights	54, 60, 66, 72, 78, 84 (Reduced heights available) To calculate height, take ceiling height minus 36". Example: A 96" ceiling would have a 60" tall hood. (96 - 36 = 60)
Removable Options	Removable Panel is standard (MRP) 2" fixed top rail available by request (MRP-2TR) – see modifications section.
Ventilation	Hood must be a minimum of 18" wider than available vent width. Example: To use a 54" vent model, the hood should be a minimum of 72" wide
Available Moldings	#1 Classic #2 Simple #3 Basic
Available Options	Pull out spice racks are standard – can be removed by request. Corbels - All Stanisci corbel options will fit this design (See corbel options page) Legs are set up for corbels, but full-size door can be requested if corbels are not being used.
Grain Direction	Vertical (Base is horizontal)

700 South Glaspie Street • Oxford, MI 48371 • (248) 572-6880 • email: sales@wood-hood.com • www.wood-hood.com

Standard Heights: 54, 60, 66, 72, 78, 84

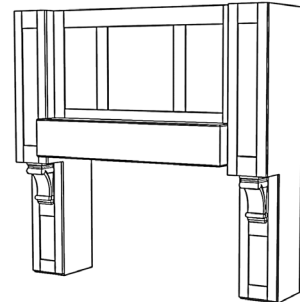
W- Standard Base

W 66
W 72
W 78
W 84
W 90



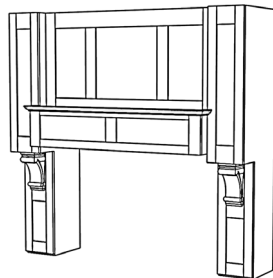
W- Hardwood Base

WHW 66
WHW 72
WHW 78
WHW 84
WHW 90



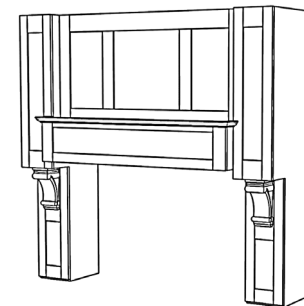
W- RS Base

WRS 66
WRS 72
WRS 78
WRS 84
WRS 90



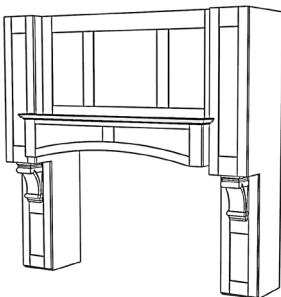
W- RSS Base

WRSS 66
WRSS 72
WRSS 78
WRSS 84
WRSS 90



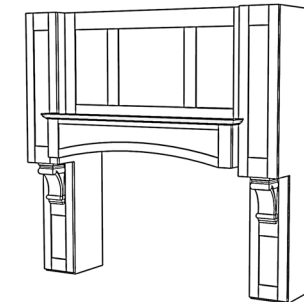
W- RA Base

WRA 66
WRA 72
WRA 78
WRA 84
WRA 90



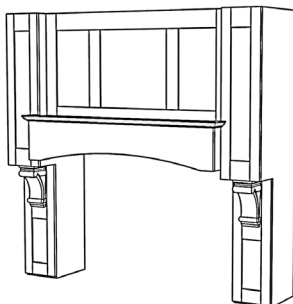
W- DP2 Base

WDP2 66
WDP2 72
WDP2 78
WDP2 84
WDP2 90



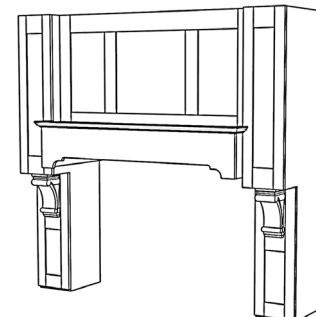
W- SL Base

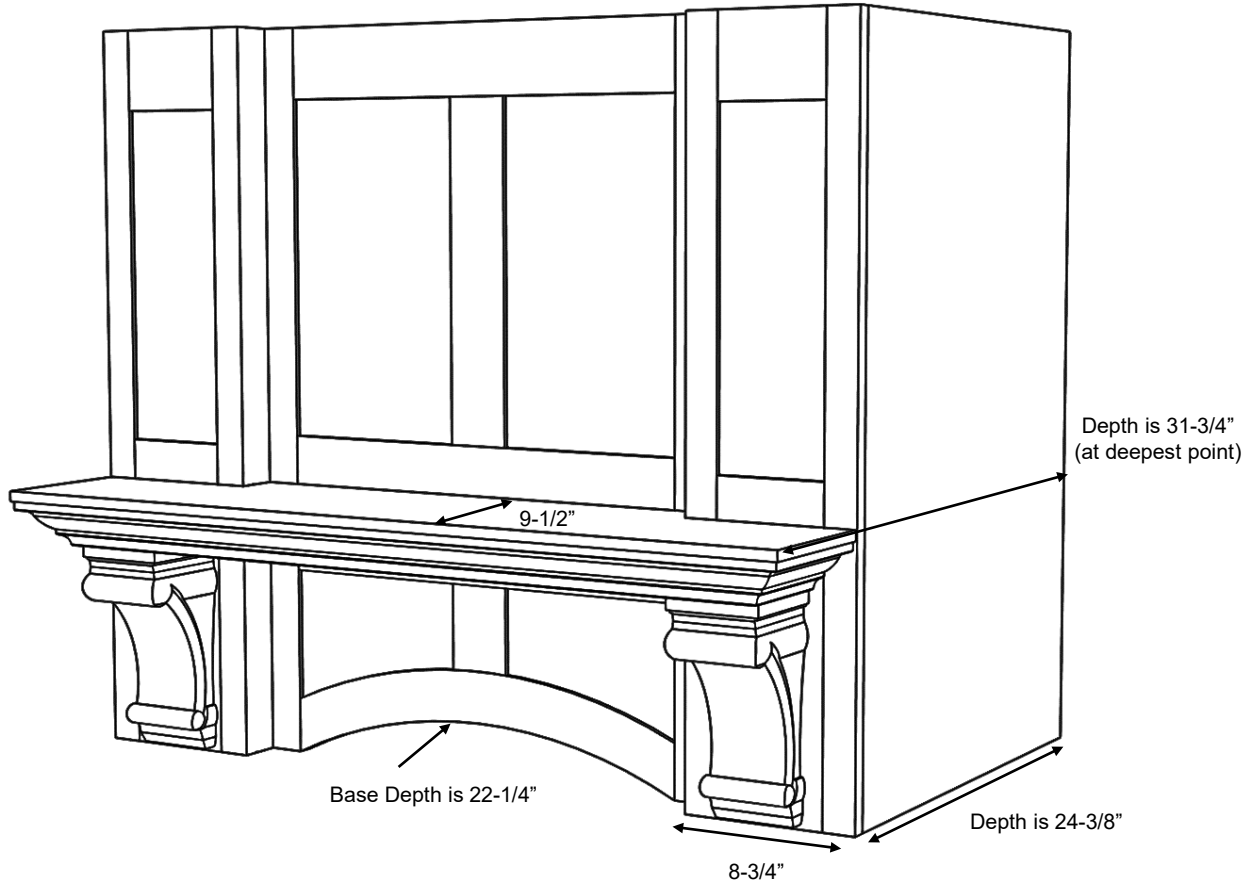
WSL 66
WSL 72
WSL 78
WSL 84
WSL 90



W- DP1 Base

WDP1 66
WDP1 72
WDP1 78
WDP1 84
WDP1 90





*X-Series shown with RA Base (XRA),
#1 Classic Molding, and optional corbels*

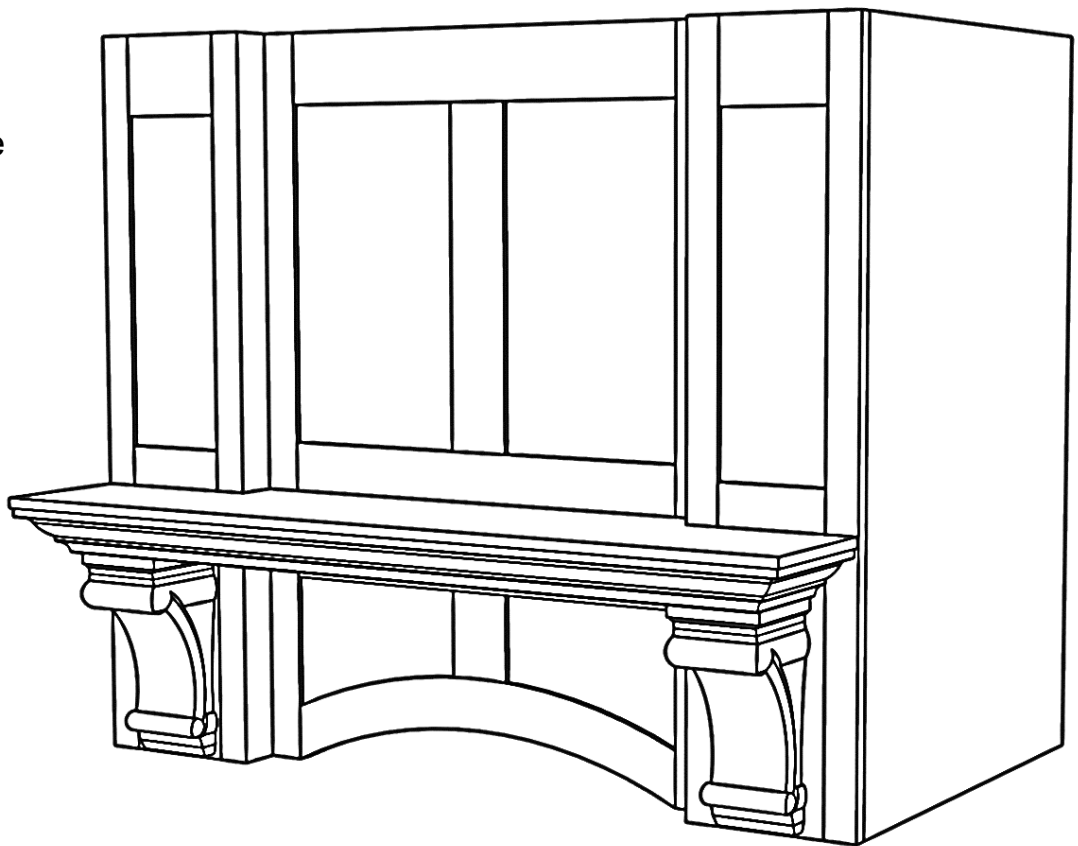
X Series

Standard Widths	30, 36, 42, 48, 54, 60 (Reduced widths available)
Standard Heights	24, 30, 36, 42, 48 (Reduced heights available)
Removable Options	Not available
Ventilation	Hood will be same width as available vent width. Example: To use a 36" vent model, the hood should be a minimum of 36" wide.
Available Moldings	#1 Classic, #2 Simple
Available option	Corbels - All Stanisci corbel options will fit this design (See corbel options page)
Grain Direction	Vertical

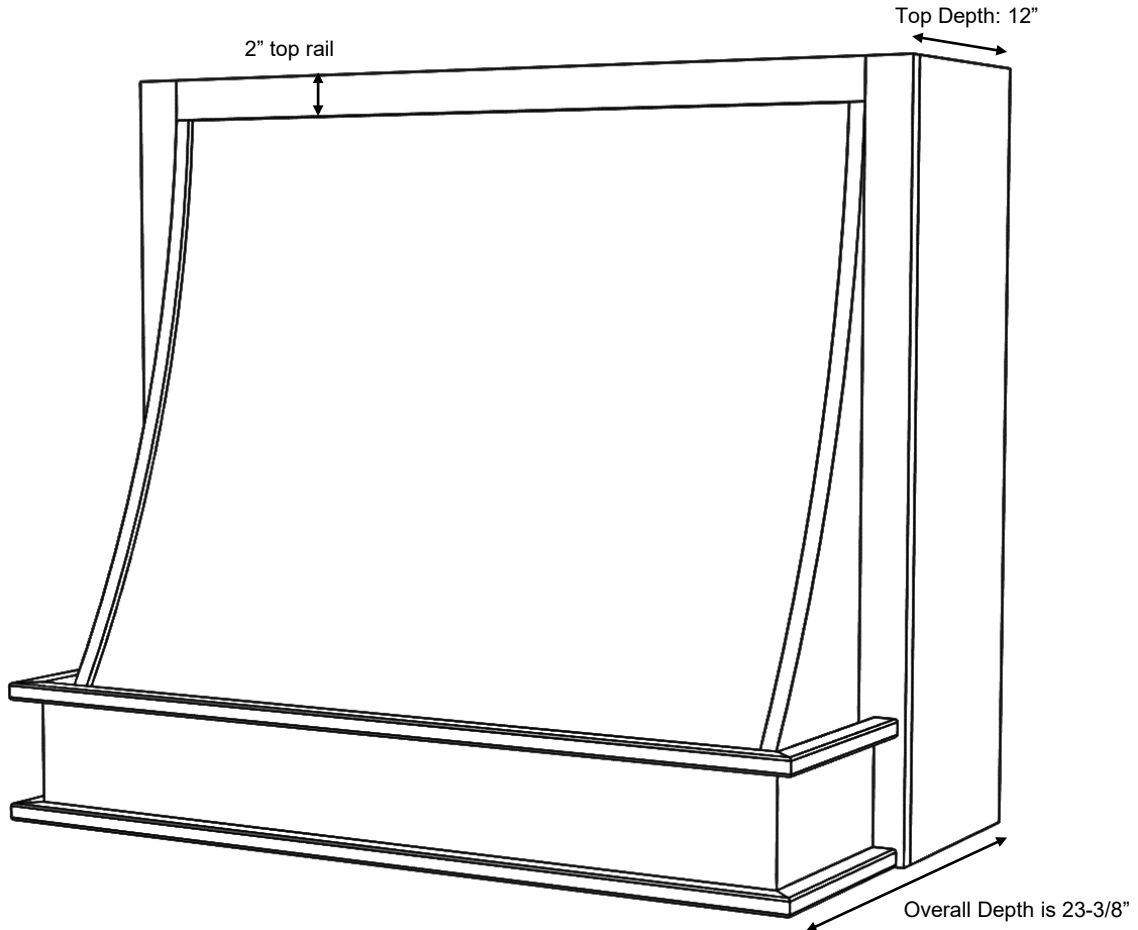
Standard Heights: 24, 30, 36, 42, 48

X- RA Base

- XRA 30*
- XRA 36
- XRA 42
- XRA 48
- XRA 54
- XRA 60



*Door Panels must be flat



Z200 series shown with PL Base (Z200PL)

Z200 Series

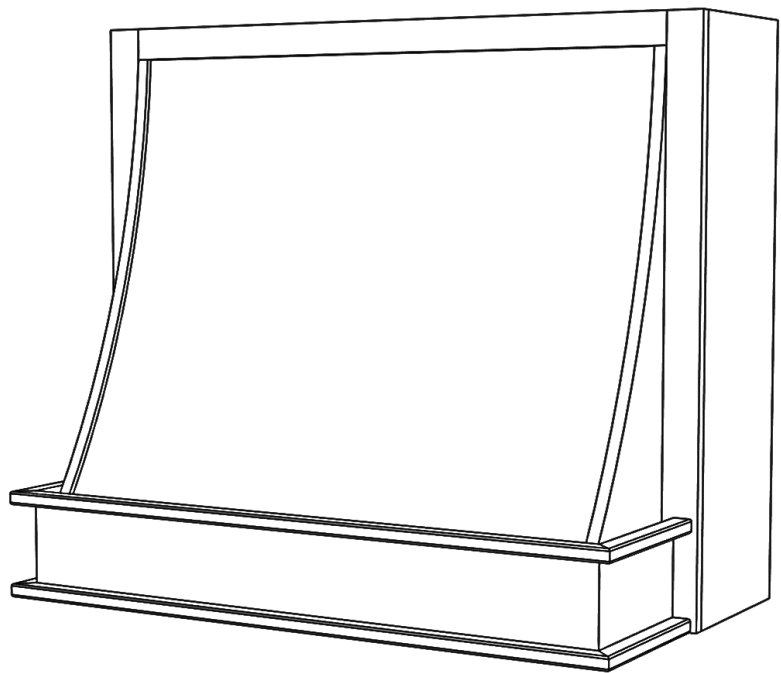
Standard Widths	33, 36, 39, 42, 45, 48, 51, 54, 57, 60, 63 (Reduced widths available)
Standard Heights	30, 36, 42, 48 (Reduced heights available)
Removable Options	Removable Front (RF) – Rear Box must be 16" – see modifications section.
Ventilation	Hood must be a minimum of 3" wider than available vent width. Example: To use a 36" vent model, the hood should be a minimum of 39" wide.
Available Option	12" Box Depth can be modified by request.
Grain Direction	Vertical (Base is horizontal) Hoods over 48" wide will have horizontal grain on sloped front

700 South Gaspie Street • Oxford, MI 48371 • (248) 572-6880 • email: sales@wood-hood.com • www.wood-hood.com

Standard Heights: 30, 36, 42, 48

Z200- PL Base

Z200PL	33
Z200PL	36
Z200PL	39
Z200PL	42
Z200PL	45
Z200PL	48
Z200PL	51*
Z200PL	54*
Z200PL	57*
Z200PL	60*
Z200PL	63*



** Hoods over 48" wide will have horizontal grain on sloped front.*

All Stanisci Design Custom Range Hoods are built to order based on your specifications, and available in 12 different species! We offer a full line of ventilation engineered specifically for our range hoods, or we can modify our hoods to fit the homeowner's 3rd party vent unit. If you're interested in a design not shown in our catalog, send us a drawing / sketch/ picture to sales@wood-hood.com and someone from our Customs Department will be in touch!

Check us out on social media and www.wood-hood.com for even more design inspiration!



@woodrangehoods



@WoodRangeHoods



@Stanisci Design & Manufacturing

Custom S-Series Design created for Revive Home Studio in Marco Island, FL



700 South Glaspie Street • Oxford, MI 48371 • (248) 572-6880 • email: sales@wood-hood.com • www.wood-hood.com



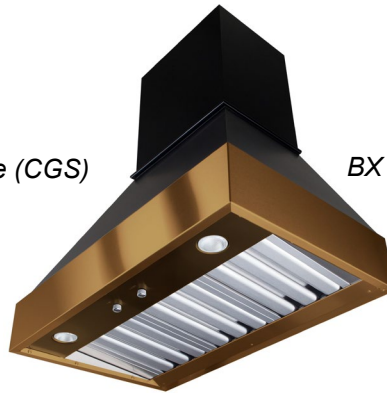
This page left intentionally blank



C Series shown with Gold Stainless Base (CGS)



BX Series shown with Stainless Steel Base (BXSS)



Underside view – Baffle filters will always be stainless steel regardless of selected finish

Stainless Base w/ Baffle Filters

Metal Baffle Bases can be ordered in place of the 6” high Hardwood Base on many of our range hood designs, and also serve as the hoods ventilation system. These Metal Baffle Bases consist of a 6” metal bottom and a fully integrated baffle liner on the underside complete with LED lights, stainless steel baffle filters, and control knobs.

Available Widths	30, 36, 42, 48, 54, 60 (custom widths are not available)
Motor Options	600/300 CFM, 1200 CFM
Available Hood Models	B, BX, BXV, C, CX, D, E, E200, ER200, ER600, FX200, G, and GT
Standard Finishes <i>(in stock)</i>	Stainless Steel (SS)

PRICE LEVEL 1 (SPECIAL ORDER 6-8 WEEK LEAD TIME)

Gold Stainless (GS)	Stainless w/ Matte clear (SMC)	Dark stainless (DSB)	Powder Coat: Aged Bronze (PC-AB)
Powder Coat: Speckled Pewter (PC-SP)	Powder Coat: Wilson Blue (PC-WB)	Powder Coat: Gardenia (PC-GA)	
Powder Coat: Traffic White (PC-TW)	Powder Coat: Jet Black (PC-JB)	Powder Coat: Flat Black Matte (PC-BM)	

PRICE LEVEL 2 (SPECIAL ORDER 6-8 WEEK LEAD TIME)

Brushed Brass Coated (BBC)	Brushed Brass *will patina (BB)	Smoked Brass (SB)
Brushed Copper *will patina (BC)	Brushed Copper Coated (BCC)	Smoked Copper (SC)

700 South Glaspie Street • Oxford, MI 48371 • (248) 572-6880 • email: sales@wood-hood.com • www.wood-hood.com

SS-BASE VENTILATION

STANDARD FINISH (Stocked at Factory)



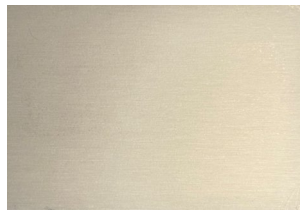
Stainless Steel - SS

SPECIAL ORDER FINISHES (6-8 week lead-time)

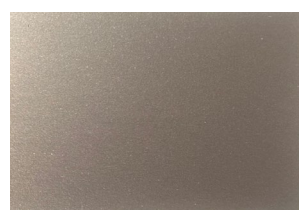
PRICE LEVEL 1



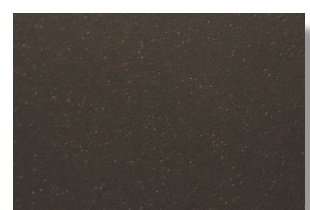
Gold Stainless
GS



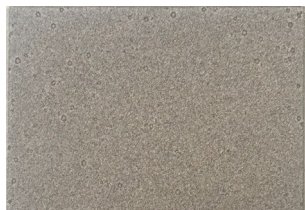
SS w/ Matte Clear
SMC



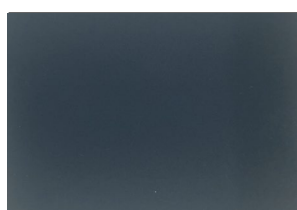
Dark Stainless
DSB



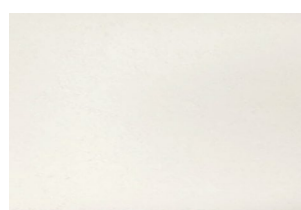
Powder Coat: Aged Bronze
PC-AB



Powder Coat: Speckled Pewter
PC-SB



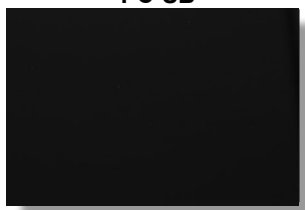
Powder Coat: Wilson Blue
PC-WB



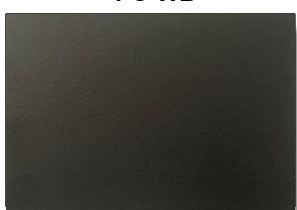
Powder Coat: Gardenia
PC-GA



Powder Coat: Traffic White
PC-TW



Powder Coat: Jet Black
PC-JB



Powder Coat: Flat Black Matte
PC-BM

PRICE LEVEL 2



Brushed Brass Coated
BBC



Brushed Brass **will patina*
BB



Smoked Brass
SB



Brushed Copper **will patina*
BC



Brushed Copper Coated
BCC



Smoked Copper
SC

SS Base w/ Baffle Filters

Technical Features:

- 6" high metal base available in 17 finishes
- Fully integrated baffle liner on the underside of metal base
- Dimmer controlled LED lighting
 - Variable speed fan control
- Large dishwasher safe brushed stainless steel baffle filters
 - Several blower combinations available
- Liner sizes available from 30" – 60"



Stanisci Design ventilation has been engineered specifically for Stanisci Design Range Hoods, and are in-stock and ready to ship!

Features your customers want:

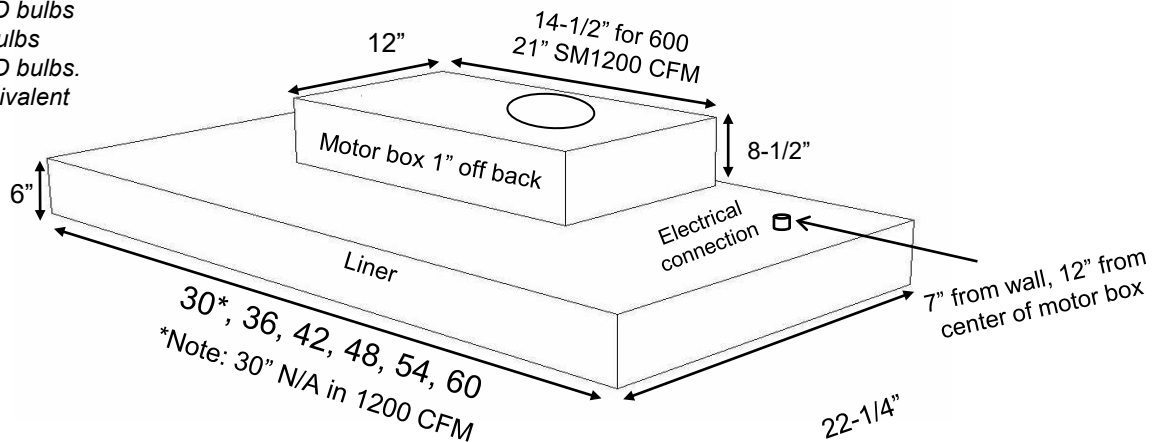
- Dishwasher safe filters
- Easy cleaning
- Dimmer controlled LED lighting
- European design
- Three year in home warranty
- Quiet, variable speed blower- made in Germany



SS-BASE VENTILATION

SM600/300 SS-BASE-600/300-XX	600 CFM motor *comes with optional wire harness to reduce max CFM to 300	SM1200 SS-BASE-1200-XX	1200 CFM motor
DUCTING	8" ROUND	DUCTING	10" ROUND
AMPS	110V - 15 amp dedicated circuit	AMPS	110V - 15 amp dedicated circuit
SS-BASE-600/300-30: 30 W x 22-1/4 D SS-BASE-600/300-36: 36 W x 22-1/4 D SS-BASE-600/300-42: 42 W x 22-1/4 D SS-BASE-600/300-48: 48 W x 22-1/4 D SS-BASE-600/300-54: 54 W x 22-1/4 D SS-BASE-600/300-60: 60 W x 22-1/4 D		NOT AVAILABLE IN 30" WIDE SS-BASE-1200-36: 36 W x 22-1/4 D SS-BASE-1200-42: 42 W x 22-1/4 D SS-BASE-1200-48: 48 W x 22-1/4 D SS-BASE-1200-54: 54 W x 22-1/4 D SS-BASE-1200-60: 60 W x 22-1/4 D	

30-42" liners have 2 LED bulbs
 48" liners have 3 LED bulbs
 54-60" liners have 4 LED bulbs.
 LED BULBS – 50W equivalent



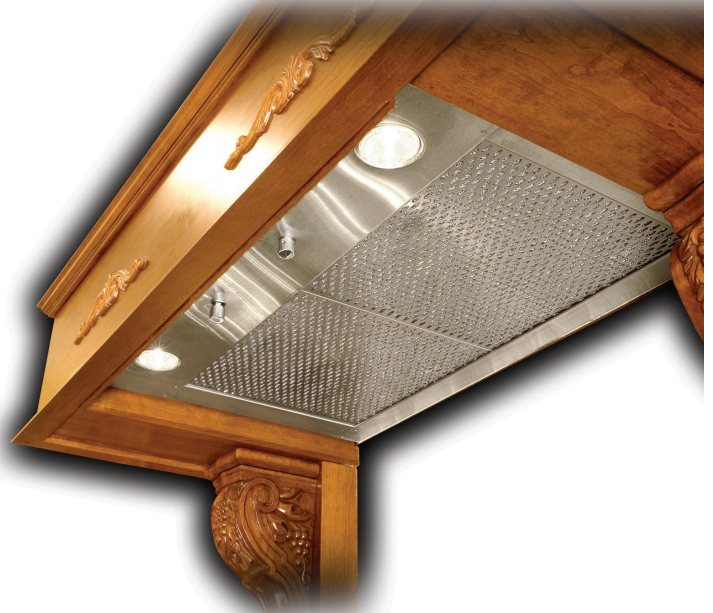
Vent Width / Model

WOOD HOOD MODEL & SIZE	SS-BASE-30	SS-BASE-36	SS-BASE-42	SS-BASE-48	SS-BASE-54	SS-BASE-60
C, CX, E200, ER200, ER600, FX200	30	36	42	48	54	60
B, D, E, G, GT	N/A	36	42	48	54	60
BX, BXV	30	36	42	48	54	60

Professional Mesh Liners

Technical Features:

- Dimmer LED lighting
- Variable speed fan control
- Large dishwasher safe stainless steel mesh insert filters
 - Several blower combinations available
- Liner sizes available from 30" – 60"
- Made exclusively for Stanisci Design by Modern-Aire Ventilation



Stanisci Design ventilation has been engineered specifically for Stanisci Design Range Hoods, and are in-stock and ready to ship!

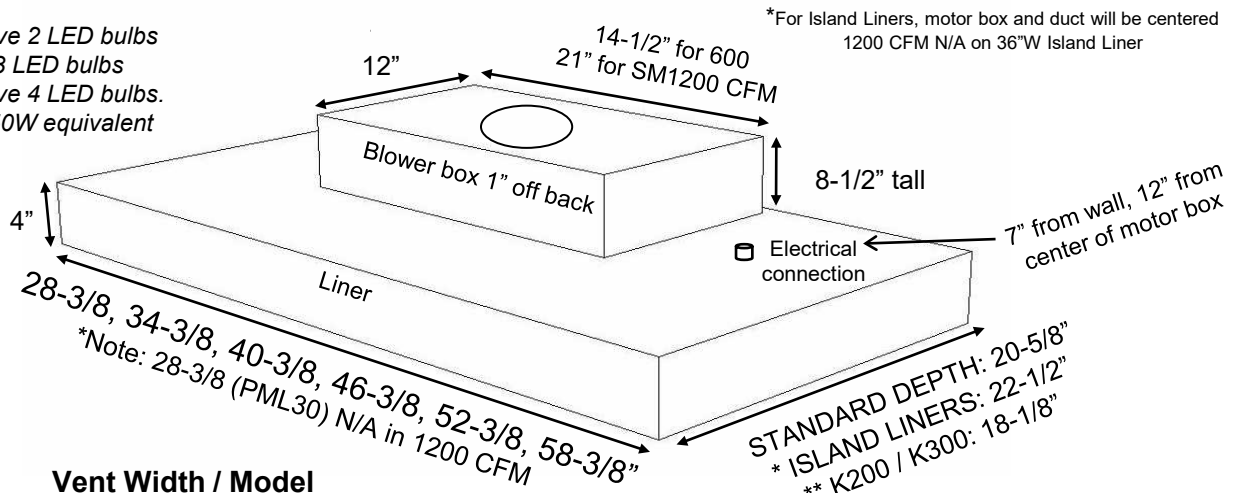
Features your customers want:

- Dishwasher safe filters
- Dimmer controlled LED lighting
- European design
- Three year in home warranty
- Quiet, variable speed blower- made in Germany
- Charcoal filters available for re-circulating applications (air must be directed out of hood to maintain warranties).



SM600/300 PML-600/300-XX	600 CFM motor *comes with optional wire harness to reduce max CFM to 300	SM1200 PML-1200-XX	1200 CFM motor
DUCTING	8" ROUND	DUCTING	10" ROUND
AMPS	110V - 15 amp dedicated circuit	AMPS	110V - 15 amp dedicated circuit
PML-600/300-30: 28-3/8 W x 20-5/8 D PML-600/300-36: 34-3/8 W x 20-5/8 D PML-600/300-42: 40-3/8 W x 20-5/8 D PML-600/300-48: 46-3/8 W x 20-5/8 D PML-600/300-54: 52-3/8 W x 20-5/8 D PML-600/300-60: 58-3/8 W x 20-5/8 D		NOT AVAILABLE IN 30" WIDE PML-1200-36: 34-3/8 W x 20-5/8 D PML-1200-42: 40-3/8 W x 20-5/8 D PML-1200-48: 46-3/8 W x 20-5/8 D PML-1200-54: 52-3/8 W x 20-5/8 D PML-1200-60: 58-3/8 W x 20-5/8 D	

30-42" liners have 2 LED bulbs
 48" liners have 3 LED bulbs
 54-60" liners have 4 LED bulbs.
 LED BULBS – 50W equivalent



Vent Width / Model

WOOD HOOD MODEL & SIZE	28-3/8"	34-3/8"	40-3/8"	46-3/8"	52-3/8"	58-3/8"
	PML-30	PML-36	PML-42	PML-48	PML-54	PML-60
C, CX, E200, E300, ER200, ER300, ER400, ER500, ER600, FX200, FX300, K200**, K300**, L2, SB100	30	36	42	48	54	60
I – ISLAND (36 N/A w/1200 CFM)	N/A	36	42	48	54	60
B, D, E, G, GT	N/A	36	42	48	54	60
W	NA	N/A	N/A	66	72	78, 84, 90
H, L, N	NA	54	60	66	72	78
BX, BXV, M, Q, X	30	36	42	48	54	60
A, J, P, S, Z200	33 or 36	39 or 42	45 or 48	51 or 54	57 or 60	63
H2	42	48	54	60	66	72
AX	31	37	43	49	55	61

700 South Gaspie Street • Oxford, MI 48371 • (248) 572-6880 • email: sales@wood-hood.com • www.wood-hood.com

Professional Baffle Liners

Technical Features:

- Dimmer controlled LED lighting
 - Variable speed fan control
- Large dishwasher safe brushed stainless steel baffle filters
 - Large capture area
 - Several blower combinations available
 - Liner sizes available from 30" – 60"
 - 22 gauge Stainless Steel



Stanisci Design ventilation has been engineered specifically for Stanisci Design Range Hoods, and are in-stock and ready to ship!

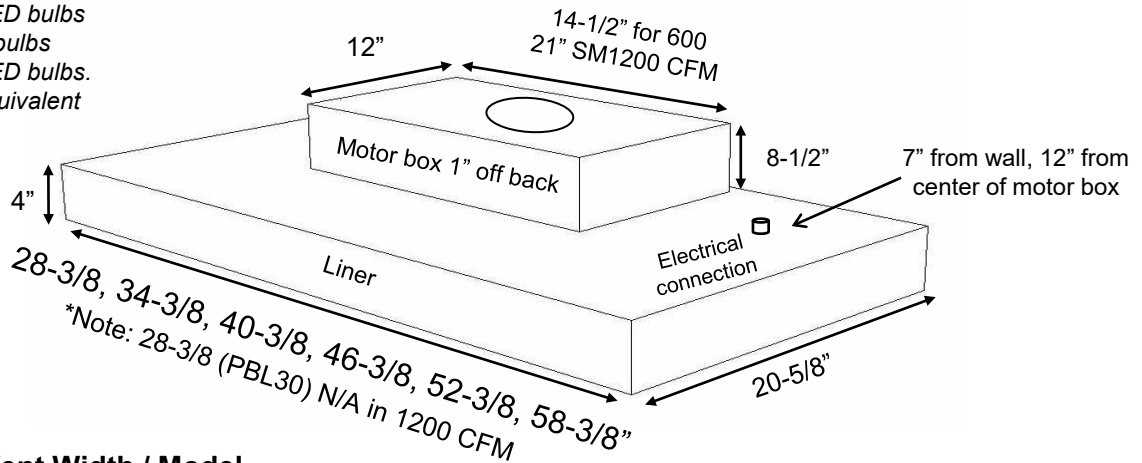
Features your customers want:

- Dishwasher safe filters
- Easy cleaning
- Dimmer controlled LED lighting
- European design
- Three year in home warranty
- Quiet, variable speed blower- made in Germany



SM600/300 PBL-600/300-XX	600 CFM motor *comes with optional wire harness to reduce max CFM to 300	SM1200 PBL-1200-XX	1200 CFM motor
DUCTING	8" ROUND	DUCTING	10" ROUND
AMPS	110V - 15 amp dedicated circuit	AMPS	110V - 15 amp dedicated circuit
PBL-600/300-30: 28-3/8 W x 20-5/8 D PBL-600/300-36: 34-3/8 W x 20-5/8 D PBL-600/300-42: 40-3/8 W x 20-5/8 D PBL-600/300-48: 46-3/8 W x 20-5/8 D PBL-600/300-54: 52-3/8 W x 20-5/8 D PBL-600/300-60: 58-3/8 W x 20-5/8 D		NOT AVAILABLE IN 30" WIDE PBL-1200-36: 34-3/8 W x 20-5/8 D PBL-1200-42: 40-3/8 W x 20-5/8 D PBL-1200-48: 46-3/8 W x 20-5/8 D PBL-1200-54: 52-3/8 W x 20-5/8 D PBL-1200-60: 58-3/8 W x 20-5/8 D	

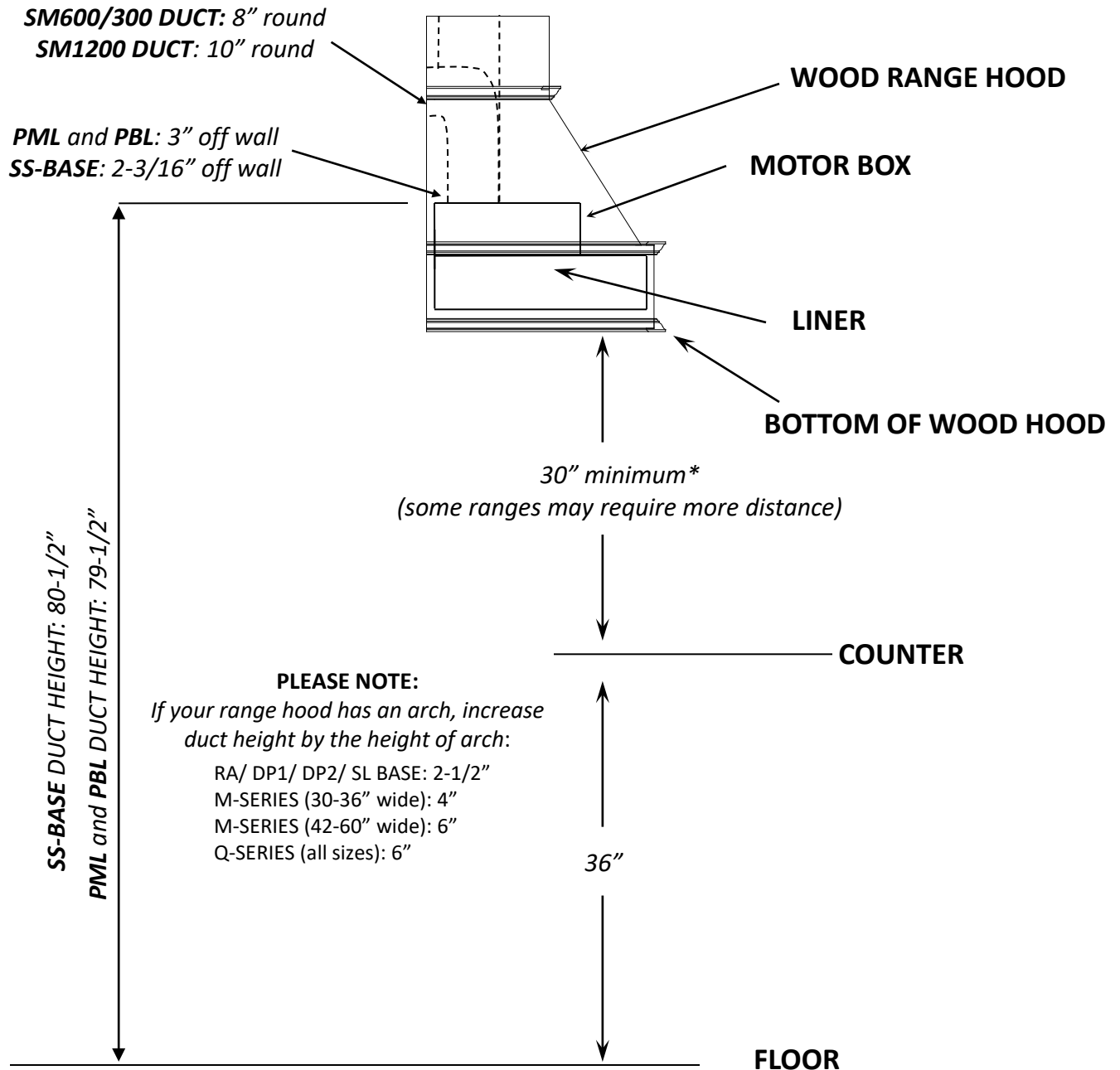
30-42" liners have 2 LED bulbs
 48" liners have 3 LED bulbs
 54-60" liners have 4 LED bulbs.
 LED BULBS – 50W equivalent



Vent Width / Model

WOOD HOOD MODEL & SIZE	28-3/8"	34-3/8"	40-3/8"	46-3/8"	52-3/8"	58-3/8"
	PBL-30	PBL-36	PBL-42	PBL-48	PBL-54	PBL-60
C,CX, E200, E300, ER200, ER300, ER400, ER500, ER600, FX200, FX300, L2, SB100	30	36	42	48	54	60
B, D, E, G, GT	N/A	36	42	48	54	60
W	N/A	N/A	N/A	66	72	78, 84, 60
H, L, N	NA	54	60	66	72	78
BX, BXV, M, Q, X	30	36	42	48	54	60
A, J, P, S, Z200	33 or 36	39 or 42	45 or 48	51 or 54	57 or 60	63
H2	42	48	54	60	66	72
AX	31	37	43	49	55	61

700 South Gaspie Street • Oxford, MI 48371 • (248) 572-6880 • email: sales@wood-hood.com • www.wood-hood.com



**Please note some cooktops require the range hood to be mounted higher than 30", see manufacturers specifications*



This page left intentionally blank

Imperial Premium Liners

- Dimmer controlled LED lighting
- Variable speed fan control
- Stainless Steel design w/ large, easy to clean aluminum mesh filters
- Large capture area
- 2 Internal motor combinations
- Sizes to fit 36" through 48" decorative range hoods
- Temperature-controlled auto-on feature



Stanisci Design ventilation has been engineered specifically for Stanisci Design Range Hoods, and are in-stock and ready to ship!

Features your customers want:

- Easy to clean filters
- Quiet, variable speed, single or dual blowers
- Dimmer controlled 5 Watt LED lighting, comparable to 50 Watt Halogen
- Temperature-controlled auto-on feature
- Three year in home warranty.

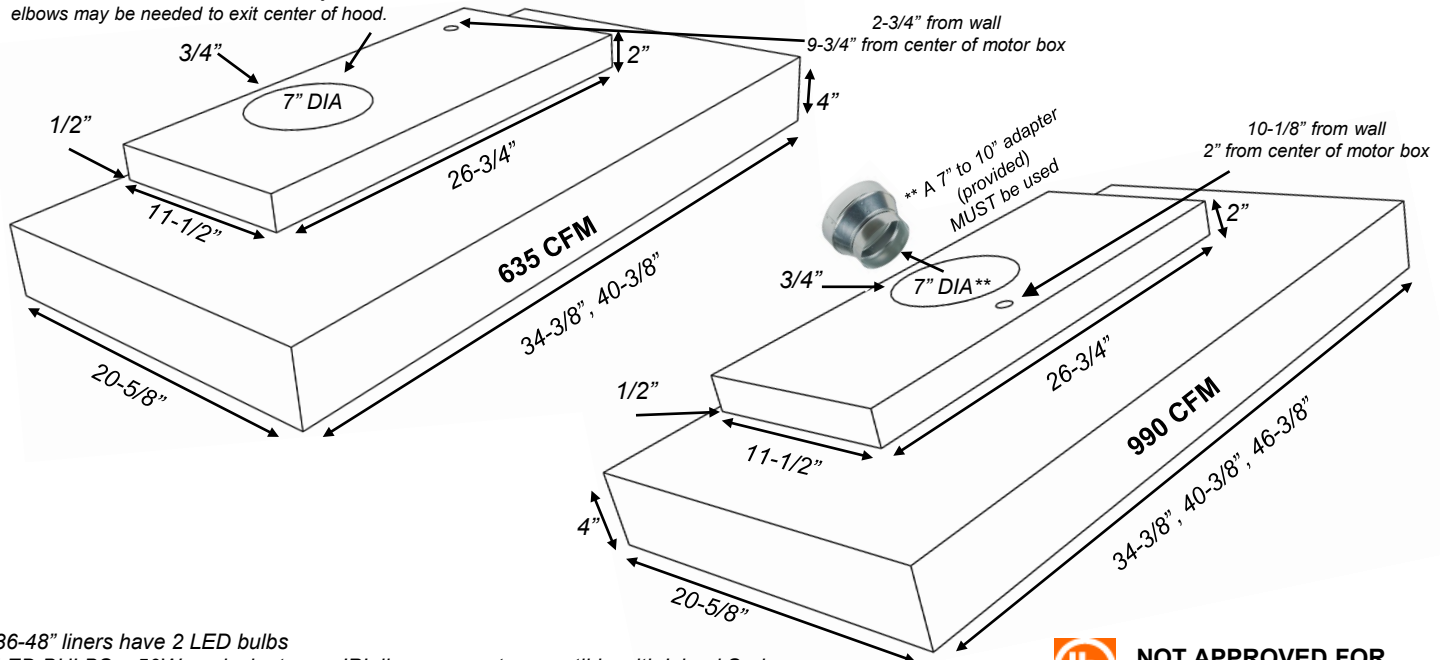


NOT APPROVED FOR
USE IN CANADA

635 IPL-635-XX	635 CFM motor
DUCTING	7" ROUND (4.25" off center)
AMPS	110V - 15 amp dedicated circuit
IPL-635-36:	34-3/8 W x 20-5/8 D
IPL-635-42:	40-3/8 W x 20-5/8 D

990 IPL-990-XX	990 CFM motor
DUCTING	10" ROUND
AMPS	110V - 15 amp dedicated circuit
IPL-990-36:	34-3/8 W x 20-5/8 D
IPL-990-42:	40-3/8 W x 20-5/8 D
IPL-990-48:	46-3/8 W x 20-5/8 D

Duct is offset 4-3/8" left. One or more adjustable 7" elbows may be needed to exit center of hood.



36-48" liners have 2 LED bulbs
LED BULBS – 50W equivalent

IPL liners are not compatible with Island Series.



**NOT APPROVED FOR
USE IN CANADA**

Wood Hood Model and Size	28-3/8"	34-3/8"	40-3/8"	46-3/8"
		IPL-36	IPL-42	IPL-48
C, CX, E200, E300, ER200, ER300, ER400, ER500, ER600, FX200, FX300, L2, SB100	N/A	36	42	48
B, D, E, G, GT	N/A	36	42	48
W	N/A	N/A	NA	66
H, L, N	N/A	54	60	66
BX, BXV, M, Q, X	N/A	36	42	48
A, J, P, S, Z200	N/A	39 or 42	45 or 48	51 or 54
H2	N/A	48	54	60
AX	N/A	37	43	49

700 South Gaspie Street • Oxford, MI 48371 • (248) 572-6880 • email: sales@wood-hood.com • www.wood-hood.com

Imperial Standard Liners

- LED lighting
- Two speed fan control
- Large capture area
- Single 360 CFM Air Ring Fan
- Liner sizes 30" and 36"
- Stainless Steel design w/ large, easy to clean aluminum mesh filters



Stanisci Design ventilation has been engineered specifically for Stanisci Design Range Hoods, and are in-stock and ready to ship!

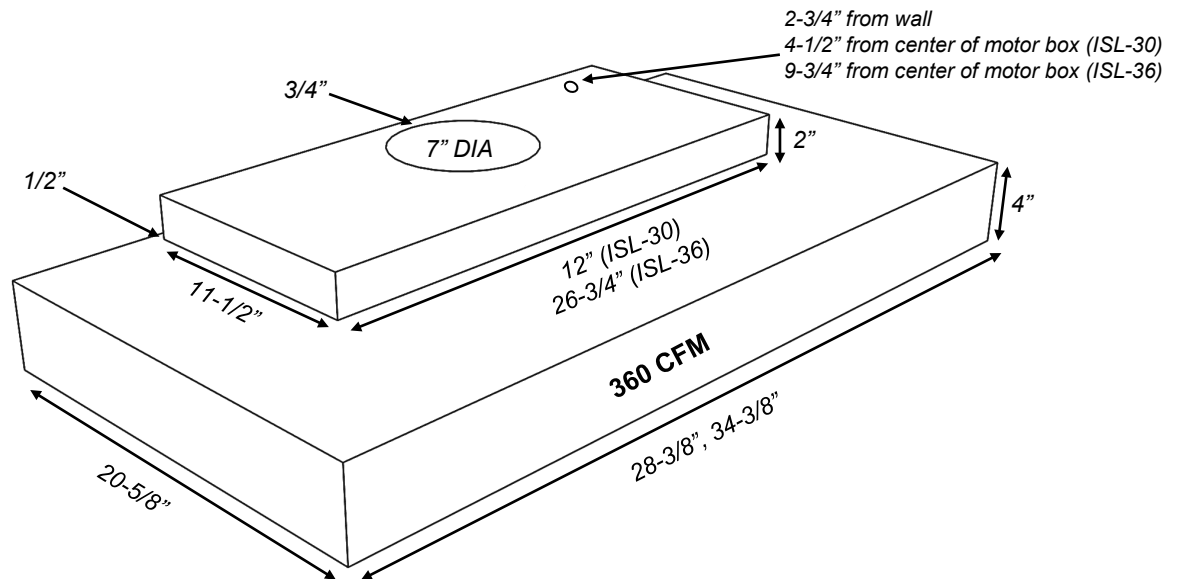
Features your customers want:

- Easy to clean filters
- Two speed fan control
- Single- 5 Watt LED, comparable to 50 Watt Halogen with Hi-Lo switch
- Three year in home warranty
- Axial Fan



NOT APPROVED FOR
USE IN CANADA

360 ISL-360-XX	360 CFM motor
DUCTING	7" ROUND
AMPS	110V - 15 amp dedicated circuit
ISL-360-30:	28-3/8 W x 20-5/8 D
ISL-360-36:	34-3/8 W x 20-5/8 D



30" and 36" liners have 1 LED bulb
LED BULBS – 50W equivalent

ISL liners are not compatible with Island Series.

Wood Hood Model and Size	28-3/8"	34-3/8"
	ISL-30	ISL-36
C, CX, E200, E300, ER200, ER300, ER400, ER500, ER600, FX200, FX300, L2, SB100	30	36
B, D, E, G, GT	N/A	36
W	N/A	N/A
H, L, N	48	54
BX, BXV, M, Q, X	30	36
A, J, P, S, Z200	33 or 36	39 or 42
H2	42	48
AX	31	37

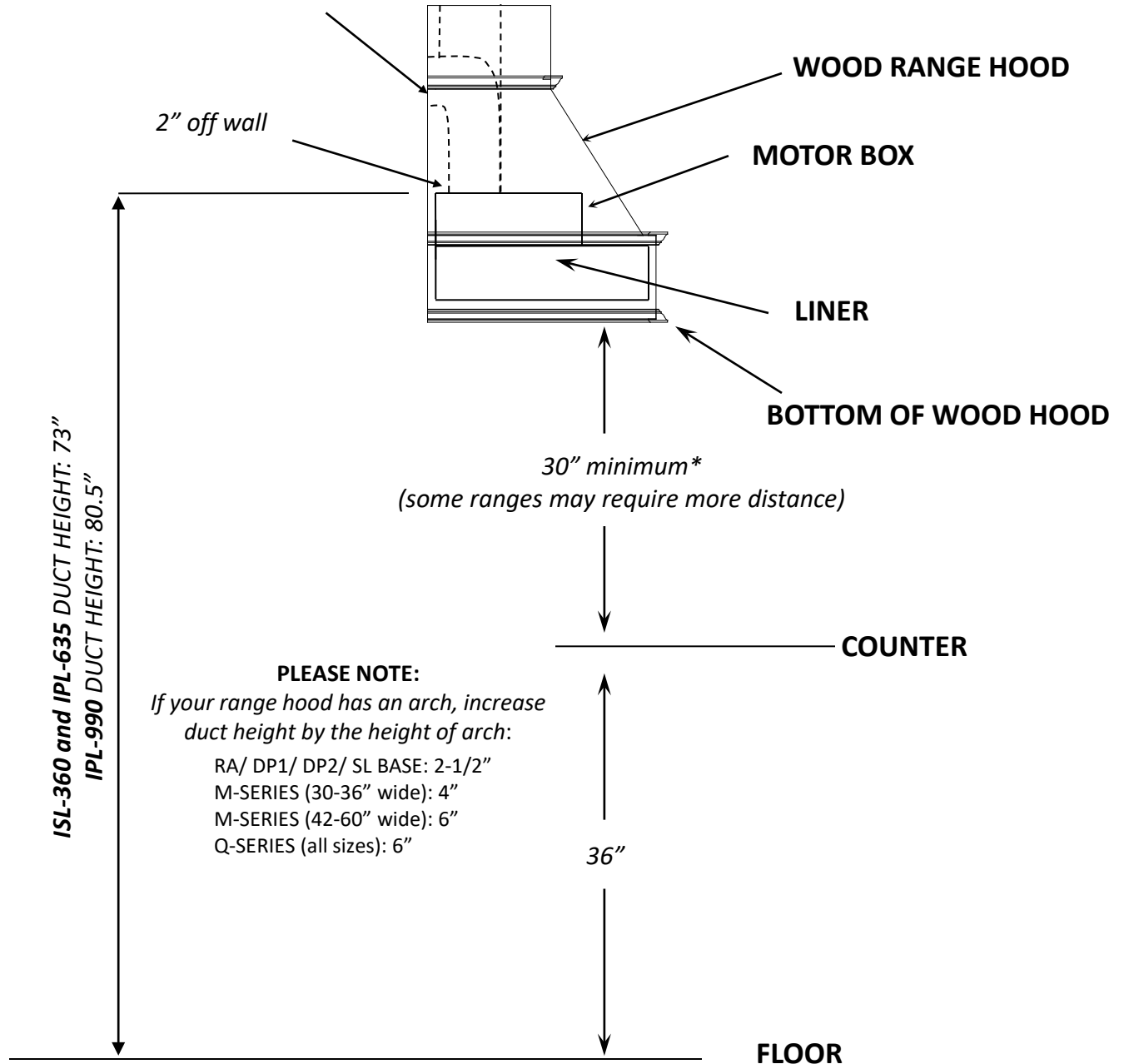
PLEASE NOTE: Cleaning filter in a dishwasher may cause discoloration. A degreaser (409, Simple Green...) in a sink is recommended.



**NOT APPROVED FOR
USE IN CANADA**

ISL-360 and IPL-635 DUCT: 7" round

IPL-990 DUCT: 10" round (must use 7" to 10" transition piece)



*Please note some cooktops require the range hood to be mounted higher than 30", see manufacturers specifications

Ventilation fundamentals:**Length and width**

No range hood on the market is completely effective unless it covers the heat source completely. Wall mounted hoods should extend at least to the front of the cooktop and on a standard cooktop, cover the entire cooktop from left to right. When using a residential commercial cooktop, the hood should overextend the cooktop a minimum of 3" on both the left and right side if possible.

Height

The bottom of the hood should be 30" from the cooking surface. It generally provides the most effective and attractive-looking installation. Some cooking appliance manufacturers require wood range hoods to be mounted higher. Please install according to the cooking appliance manufacturers recommendation.

In situations where ducting has several elbows or runs long distances, it is recommended to step up to the next larger blower size.

Internal Motors

Internal blowers are mounted inside the wood hood above the metal liner. They push the air through the duct.

Note: Externally mounted blowers are mounted outside the home typically on the roof or an exterior wall. We do not sell externally mounted blowers

System Noise

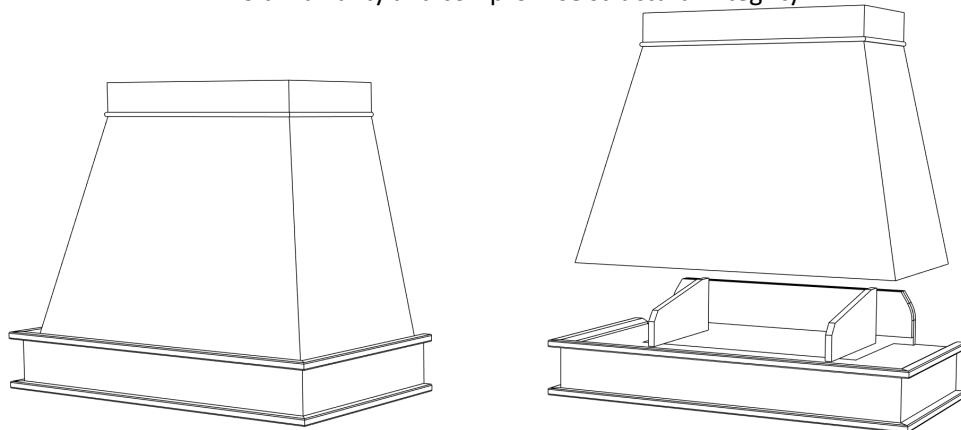
Noise is created in ventilation by air movement. Disrupting air flow with ducting turns increase noise. To minimize noise, run the ducting as straight as possible. The swirling of air within the blower unit also creates noise.

Back draft prevention:

Stanisci Design liners do not contain back draft dampers. If the cold or hot air has made its way to the range hood the kitchen will be affected. We recommend wall or roof caps with spring loaded dampers. We do not stock these, however they are readily available in the market.

REMOVABLE TOP (RT)

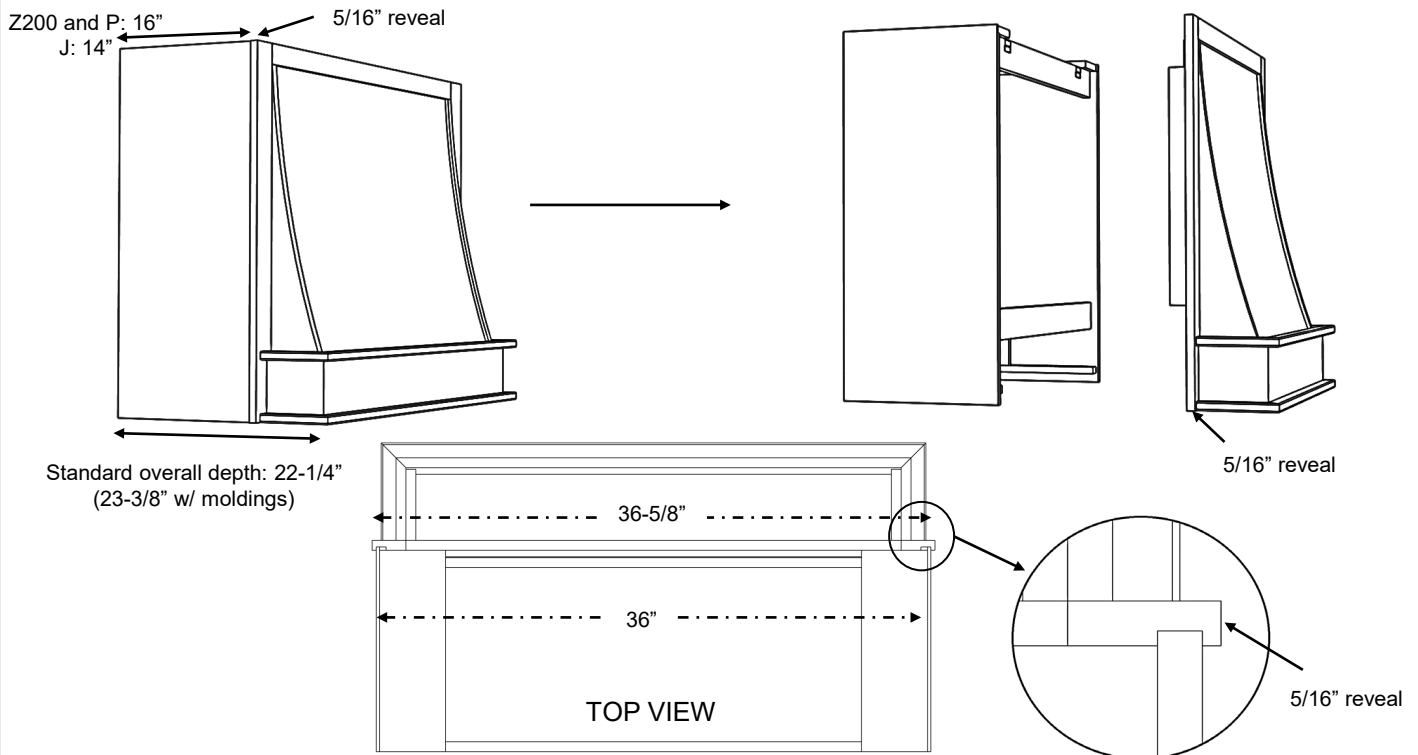
Base of the hood will be installed first with the ventilation. After all hook ups are complete – the chimney top will be attached. You will need a minimum of 3/4" clearance to lower chimney on guides. Cutting or trimming of parts in field will void warranty and compromise structural integrity.



AVAILABLE ON THESE MODELS: BXHW, BXVHW, C, CX, E, E200, FX200, G, GT

REMOVABLE FRONT (RF)

Entire front section lifts straight up 3/4" and removes. Vent is easily installed, then front section is reattached. The rear cabinet box will be 16" deep (14" for J- Series). There is a 5/16" reveal on the front frame to box (adds 5/8" to overall width of front section only) . A minimum 3/4" vertical clearance is needed between hood top and ceiling so that you can slide onto guides. Cutting or trimming of parts in field will void warranty and compromise structural integrity.



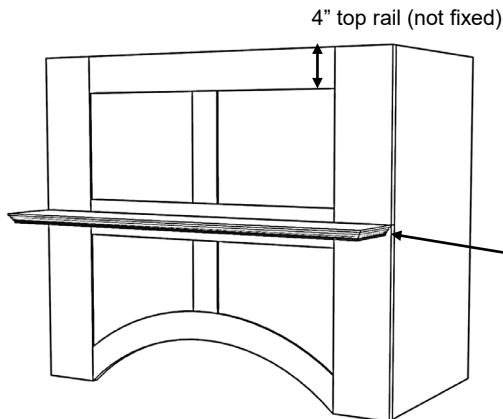
AVAILABLE ON THESE MODELS: J, P, Z200

MODIFIED REMOVABLE PANEL (MRP)

Door panel is removable, and attaches with clips. Panel extends the full height of hood, and the lower seam is hidden behind a shelf. Crown can be laid on top of door once vent hook-ups are made.

STANDARD MRP

no fixed top rail, panel extends full height of hood.

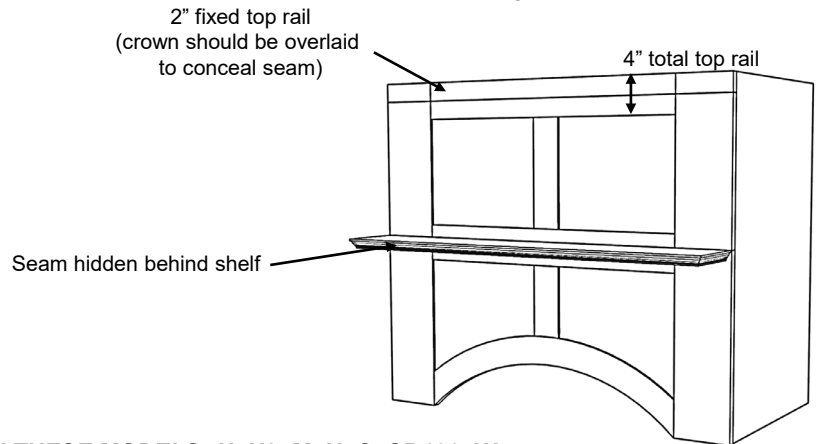


STANDARD ON THESE MODELS: H, H2, M, N, Q, SB100, W

AVAILABLE BY CUSTOM REQUEST

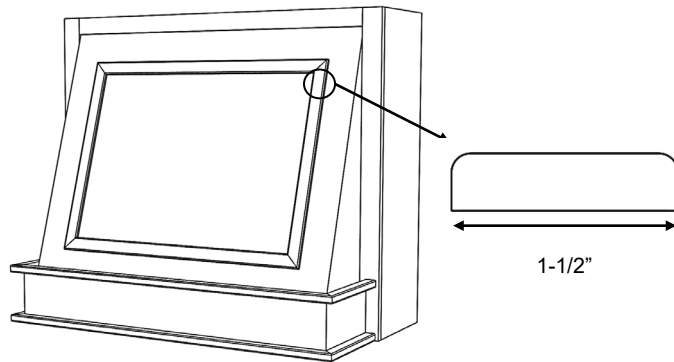
2" fixed top, 4" total top rail.

ORDER: MRP-2TR

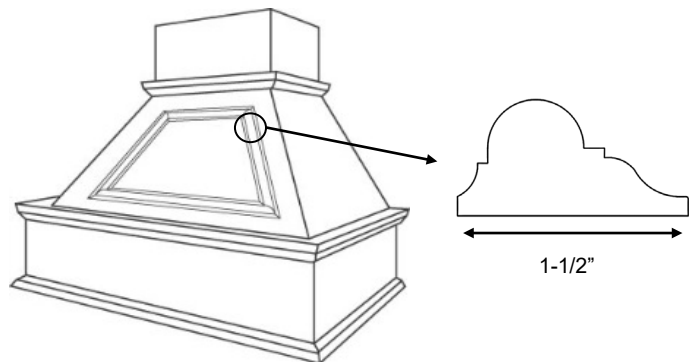


APPLIED REMOVABLE PANEL (ARP)

An access panel is cut into the face of the hood, and decorative molding is applied to cover the seam.



Basic batten style molding is standard.
ARP

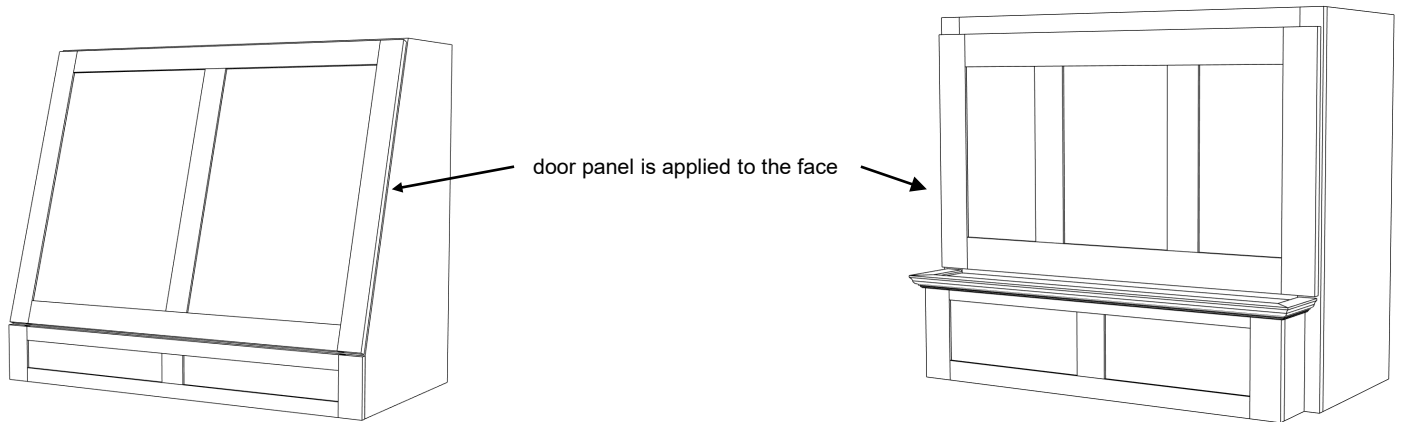


Decorative molding style available by request.
ARP-D

AVAILABLE ON THESE MODELS: C, CX, G, GT, I, J, P

STANDARD REMOVABLE DOOR PANEL

A door panel is applied onto the face of the hood, and is removable.

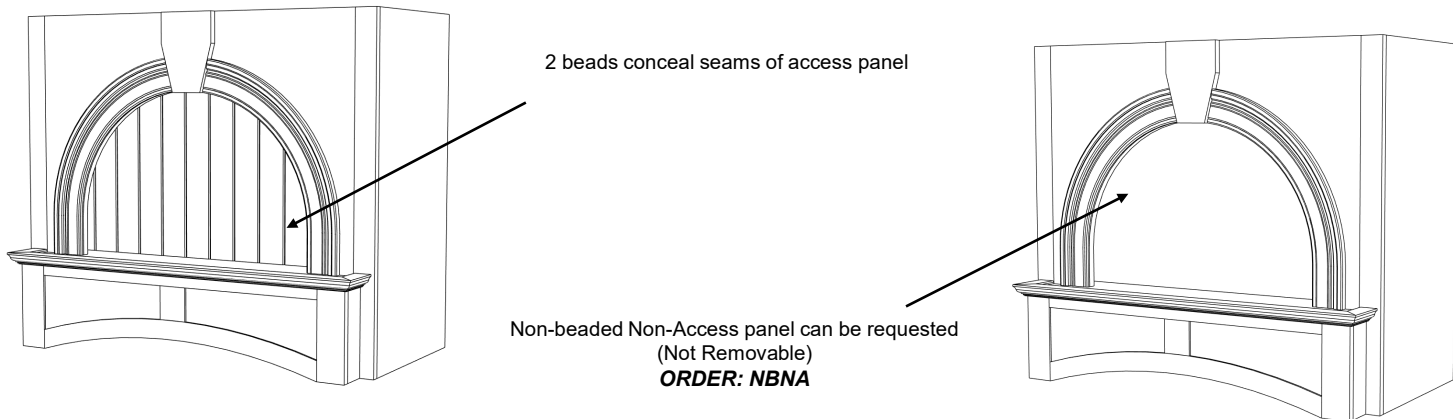


STANDARD ON THESE MODELS: FX300, L2, S*

On all S-Series models, door removes by pulling upwards. Minimum 1/2" clearance is needed above top of door.

BEADED ACCESS - CONCEALED

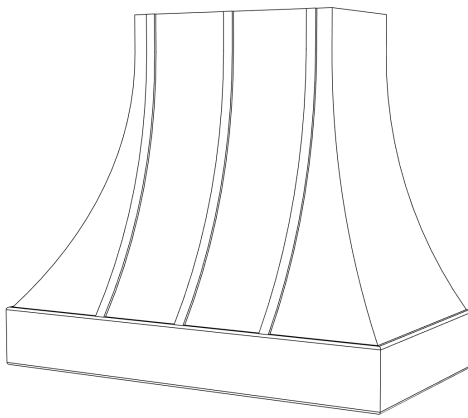
Decorative beading conceals 2 seams for the removable panel, secured by clips.



STANDARD ON THESE MODELS: A, L

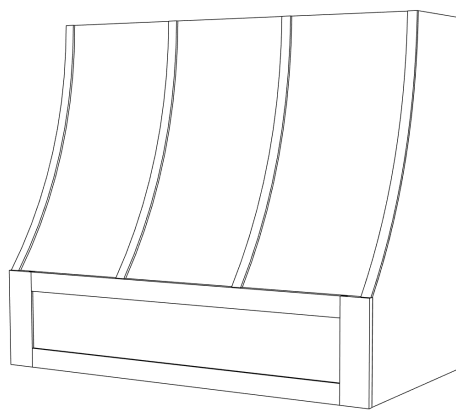
CURVED BATTENS

Curved Hardwood Battens are available in all of our standard species.



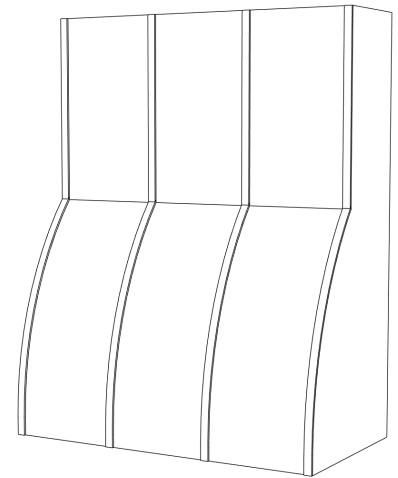
AVAILABLE ON E-SERIES

36" wide: 2 on face
42" and 48" wide: 3 on face
54" and 60" wide: 4 on face
* side battens available by request



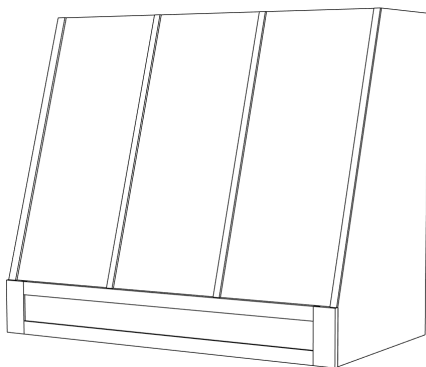
AVAILABLE ON E200, E300, ER200, ER300, ER400, ER500, ER600

30" – 48" wide: 4 battens on face
54" and 60" wide: 5 battens on face

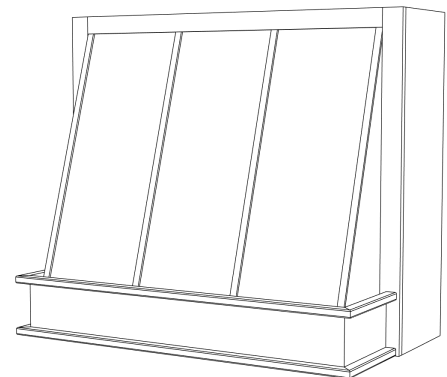


Straight Battens

Vertical Hardwood Battens are available in all of our standard species.

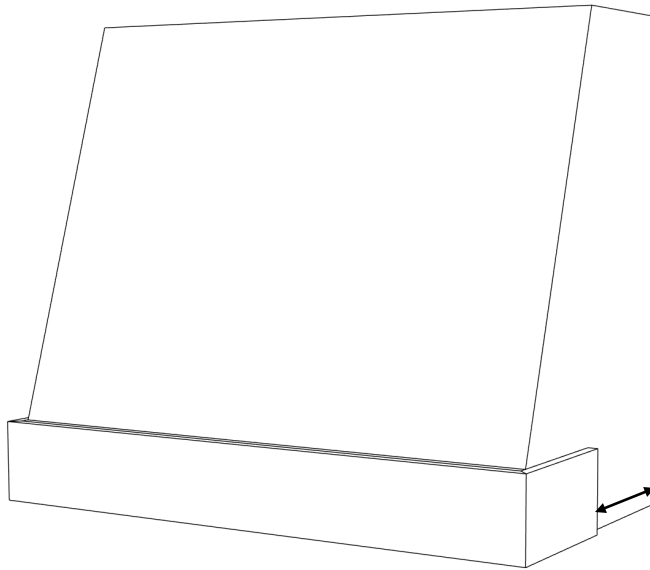


AVAILABLE ON THESE MODELS: FX200, FX300, P



Applied Hardwood Wrap

A 6" high hardwood wrap can be applied along the bottom of an In-Series hood to create the visual appearance of a separate base section. The wrap is shipped loose, and can be trimmed in-field to desired depth so sides remain flush for cabinet installation. This wrap can be applied in a different species than the hood to create a two-tone design.



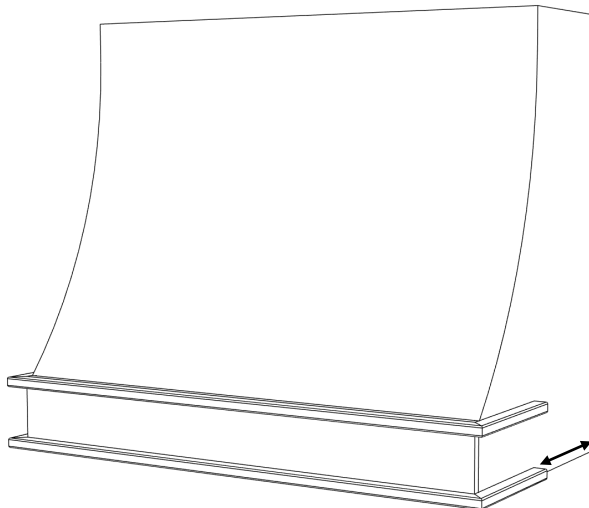
****Please consider door swings and clearances. Your cabinet design may require fillers or extended stiles****

Hardwood wrap will ship loose, mitered, and cut to full depth of hood. Can be trimmed in field to your desired depth.

AVAILABLE ON THESE MODELS: BX, BXV, E300, FX300, L2

Applied Molding Wrap

Basic style moldings can be applied along the top and bottom trim of the base panel and sides of In-Series hoods to create the visual appearance of a separate base section. Moldings are shipped loose, and can be trimmed in-field to desired depth so sides remain flush for cabinet installation.



****Please consider door swings and clearances. Your cabinet design may require fillers or extended stiles****

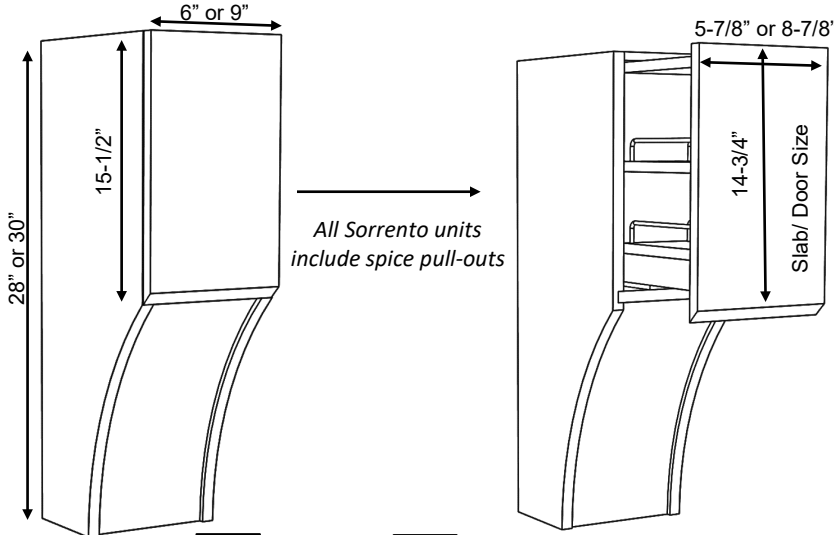
Molding wrap will ship loose, mitered, and cut to full depth of hood. Can be trimmed in field to your desired depth.

AVAILABLE ON THESE MODELS: BX, BXV, E300, FX300, L2

Sorrento Spice Rack Supports

DESIGNED FOR THESE MODELS: H2, N, (AVAILABLE BY REQUEST ON ALL OTHER MODELS)

SECTION A – SIZE



All Sorrento units include spice pull-outs

WIDTH

6"

9"

*must select one

HEIGHT

28"

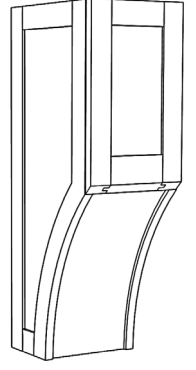
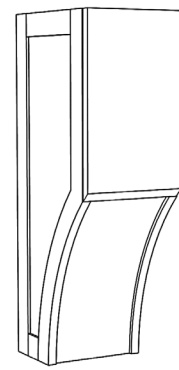
30"

*must select one

SECTION B – FRONT PANEL

FRONT – SLAB PANEL

FRONT – DOOR PANEL



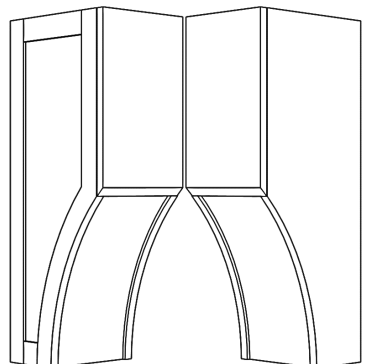
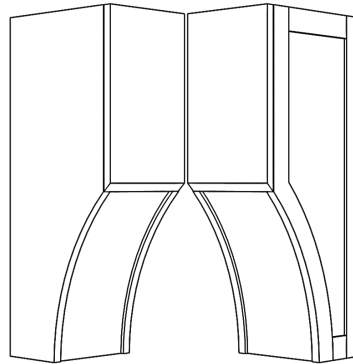
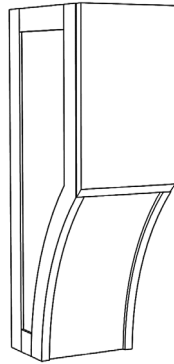
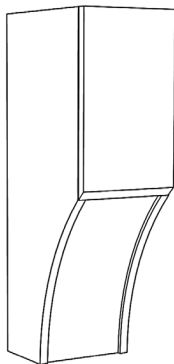
SECTION C – SIDE CHOICES

BOTH SIDES SLAB

BOTH SIDES DOOR PANEL

LEFT SIDE OF LEG – SLAB
RIGHT SIDE OF LEG – DOOR PANEL
*image shows both sides of 1 leg

LEFT SIDE OF LEG – DOOR PANEL
RIGHT SIDE OF LEG – SLAB
*image shows both sides of 1 leg



LEFT SORRENTO LEG

*must select one

RIGHT SORRENTO LEG

*must select one

Providence Shallow

CBL-PRS3



3" x 4-3/4" x 10-1/2"

Princeton Wide

CBL-PRW3



4-1/2" x 4-3/4" x 10-1/2"

Provincial

CBL-PPC3



5" x 5" x 10"

Arts & Crafts

CBL-ART3



5" x 5" x 10"

*Paint Grade, Maple, Red Oak, Cherry and Alder are in stock.
All other species are special-ordered, and increases lead time approx. 1-2 weeks.
(Please note drawings are not to scale, they have been adjusted to fit the page)*

DIMENSIONS ARE: Width x Depth x Height

Transitional

CBL-TR3



4-3/4" x 5-1/2" x 9-1/2"

Traditional

COR-TT2



4-1/4" x 4-5/8" x 10"

Acanthus

COR-AC2



5" x 5" x 10-1/2"

Acanthus Onlay

ONL-AC24



24" x 3/4" x 5-1/4"

Acanthus Corner Onlays

ONL-ACC3 (sold in pairs)



7-5/8" x 3/4" x 7-5/8"

Paint Grade, Maple, Red Oak, Cherry and Alder are in stock.

All other species are special-ordered, and increases lead time approx. 1-2 weeks.

(Please note drawings are not to scale, they have been adjusted to fit the page)

DIMENSIONS ARE: Width x Depth x Height

PREFERRED BY KARMAN

DOOR & DRAWER FRONT SIZES SECTION 16

The Door and Drawer Front Sizes chart is intended to be a tool for our dealer base. This chart shows door and drawer front sizes on standard Karman cabinetry in standard ($\frac{1}{2}$ " overlay, full ($\frac{1}{4}$ " overlay and full ($-\frac{3}{32}$ ") inset sizes. This list is only designed to aid in ordering calculations. Every effort has been made to ensure accuracy and completeness. To ensure accuracy when ordering, it is your responsibility to understand Karman's face frame and door overlay/reveal standards. Karman will not be liable for any incorrect data contained in this section. Please contact Karman's Customer Care department with any concerns prior to ordering.

Cabinet	HALF OVERLAY		FULL OVERLAY		INSET	
	Door	Drawer Front	Door	Drawer Front	Door	Drawer Front
3-B42BR-L	2-12 $\frac{13}{16}$ x21	1-25 $\frac{3}{4}$ x6 $\frac{1}{2}$	2-13 $\frac{9}{16}$ x21 $\frac{1}{2}$	1-27 $\frac{1}{4}$ x7	2-12 $\frac{1}{4}$ x19 $\frac{13}{16}$	1-24 $\frac{9}{16}$ x5 $\frac{5}{16}$
	1-12 $\frac{1}{4}$ x21	1-12 $\frac{1}{4}$ x6 $\frac{1}{2}$	1-13 $\frac{3}{4}$ x21 $\frac{1}{2}$	1-13 $\frac{3}{4}$ x7	1-11 $\frac{1}{16}$ x19 $\frac{13}{16}$	1-11 $\frac{1}{16}$ x5 $\frac{5}{16}$
3-B45BR-L	2-13 $\frac{13}{16}$ x21	1-27 $\frac{3}{4}$ x6 $\frac{1}{2}$	2-14 $\frac{9}{16}$ x21 $\frac{1}{2}$	1-29 $\frac{1}{4}$ x7	2-13 $\frac{3}{4}$ x19 $\frac{13}{16}$	1-26 $\frac{9}{16}$ x5 $\frac{5}{16}$
	1-13 $\frac{3}{4}$ x21	1-13 $\frac{3}{4}$ x6 $\frac{1}{2}$	1-14 $\frac{3}{4}$ x21 $\frac{1}{2}$	1-14 $\frac{3}{4}$ x7	1-12 $\frac{1}{16}$ x19 $\frac{13}{16}$	1-12 $\frac{1}{16}$ x5 $\frac{5}{16}$
3-B48BR-L	2-14 $\frac{13}{16}$ x21	1-29 $\frac{3}{4}$ x6 $\frac{1}{2}$	2-15 $\frac{9}{16}$ x21 $\frac{1}{2}$	1-31 $\frac{1}{4}$ x7	2-14 $\frac{1}{4}$ x19 $\frac{13}{16}$	1-28 $\frac{9}{16}$ x5 $\frac{5}{16}$
	1-14 $\frac{1}{4}$ x21	1-13 $\frac{3}{4}$ x6 $\frac{1}{2}$	1-15 $\frac{3}{4}$ x21 $\frac{1}{2}$	1-13 $\frac{3}{4}$ x7	1-13 $\frac{1}{16}$ x19 $\frac{13}{16}$	1-13 $\frac{1}{16}$ x5 $\frac{5}{16}$
3-B42BR-L FHD	2-12 $\frac{13}{16}$ x28		2-13 $\frac{9}{16}$ x29		2-12 $\frac{1}{4}$ x26 $\frac{13}{16}$	
	1-12 $\frac{1}{4}$ x28		1-13 $\frac{3}{4}$ x29		1-11 $\frac{1}{16}$ x26 $\frac{13}{16}$	
3-B45BR-L FHD	2-13 $\frac{13}{16}$ x28		2-14 $\frac{9}{16}$ x29		2-13 $\frac{3}{4}$ x26 $\frac{13}{16}$	
	1-13 $\frac{3}{4}$ x28		1-14 $\frac{3}{4}$ x29		1-12 $\frac{1}{16}$ x26 $\frac{13}{16}$	
3-B48BR-L FHD	2-14 $\frac{13}{16}$ x28		2-15 $\frac{9}{16}$ x29		2-14 $\frac{1}{4}$ x26 $\frac{13}{16}$	
	1-14 $\frac{1}{4}$ x28		1-15 $\frac{3}{4}$ x29		1-13 $\frac{1}{16}$ x26 $\frac{13}{16}$	
3-B42-12BR-L FHD	2-12 $\frac{13}{16}$ x28		2-13 $\frac{9}{16}$ x29		2-12 $\frac{1}{4}$ x32 $\frac{13}{16}$	
	1-12 $\frac{1}{4}$ x28		1-13 $\frac{3}{4}$ x29		1-11 $\frac{1}{16}$ x32 $\frac{13}{16}$	
3-B45-12BR-L FHD	2-13 $\frac{13}{16}$ x28		2-14 $\frac{9}{16}$ x29		2-13 $\frac{3}{4}$ x32 $\frac{13}{16}$	
	1-13 $\frac{3}{4}$ x28		1-14 $\frac{3}{4}$ x29		1-12 $\frac{1}{16}$ x32 $\frac{13}{16}$	
3-B48-12BR-L FHD	2-14 $\frac{13}{16}$ x28		2-15 $\frac{9}{16}$ x29		2-14 $\frac{1}{4}$ x32 $\frac{13}{16}$	
	1-14 $\frac{1}{4}$ x28		1-15 $\frac{3}{4}$ x29		1-13 $\frac{1}{16}$ x32 $\frac{13}{16}$	
3-BAR42BR-L FHD	2-12 $\frac{13}{16}$ x34		2-13 $\frac{9}{16}$ x35		2-12 $\frac{1}{4}$ x32 $\frac{13}{16}$	
	1-12 $\frac{1}{4}$ x34		1-13 $\frac{3}{4}$ x35		1-11 $\frac{1}{16}$ x32 $\frac{13}{16}$	
3-BAR45BR-L FHD	2-13 $\frac{13}{16}$ x34		2-14 $\frac{9}{16}$ x35		2-13 $\frac{3}{4}$ x32 $\frac{13}{16}$	
	1-13 $\frac{3}{4}$ x34		1-14 $\frac{3}{4}$ x35		1-12 $\frac{1}{16}$ x32 $\frac{13}{16}$	
3-BAR48BR-L FHD	2-14 $\frac{13}{16}$ x34		2-15 $\frac{9}{16}$ x35		2-14 $\frac{1}{4}$ x32 $\frac{13}{16}$	
	1-14 $\frac{1}{4}$ x34		1-15 $\frac{3}{4}$ x35		1-13 $\frac{1}{16}$ x32 $\frac{13}{16}$	
3-W4212BR-L	2-12 $\frac{13}{16}$ x10		2-13 $\frac{9}{16}$ x10 $\frac{1}{2}$		2-12 $\frac{1}{4}$ x8 $\frac{13}{16}$	
	1-12 $\frac{1}{4}$ x10		1-13 $\frac{3}{4}$ x10 $\frac{1}{2}$		1-11 $\frac{1}{16}$ x8 $\frac{13}{16}$	
3-W4215BR-L	2-12 $\frac{13}{16}$ x13		2-13 $\frac{9}{16}$ x13 $\frac{1}{2}$		2-12 $\frac{1}{4}$ x11 $\frac{13}{16}$	
	1-12 $\frac{1}{4}$ x13		1-13 $\frac{3}{4}$ x13 $\frac{1}{2}$		1-11 $\frac{1}{16}$ x11 $\frac{13}{16}$	
3-W4218BR-L	2-12 $\frac{13}{16}$ x16		2-13 $\frac{9}{16}$ x16 $\frac{1}{2}$		2-12 $\frac{1}{4}$ x14 $\frac{13}{16}$	
	1-12 $\frac{1}{4}$ x16		1-13 $\frac{3}{4}$ x16 $\frac{1}{2}$		1-11 $\frac{1}{16}$ x14 $\frac{13}{16}$	
3-W4221BR-L	2-12 $\frac{13}{16}$ x19		2-13 $\frac{9}{16}$ x19 $\frac{1}{2}$		2-12 $\frac{1}{4}$ x17 $\frac{13}{16}$	
	1-12 $\frac{1}{4}$ x19		1-13 $\frac{3}{4}$ x19 $\frac{1}{2}$		1-11 $\frac{1}{16}$ x17 $\frac{13}{16}$	
3-W4224BR-L	2-12 $\frac{13}{16}$ x22		2-13 $\frac{9}{16}$ x22 $\frac{1}{2}$		2-12 $\frac{1}{4}$ x20 $\frac{13}{16}$	
	1-12 $\frac{1}{4}$ x22		1-13 $\frac{3}{4}$ x22 $\frac{1}{2}$		1-11 $\frac{1}{16}$ x20 $\frac{13}{16}$	

Door & Drawer Front Sizes

Cabinet	HALF OVERLAY		FULL OVERLAY		INSET	
	Door	Drawer Front	Door	Drawer Front	Door	Drawer Front
3-W4224BR-L	2 - 12 13/16 x 22		2 - 13 9/16 x 22 1/2		2 - 12 1/4 x 20 13/16	
	1 - 12 1/4 x 22		1 - 13 3/4 x 22 1/2		1 - 11 1/16 x 20 13/16	
3-W42278BR-L	2 - 12 13/16 x 25		2 - 13 9/16 x 25 1/2		2 - 12 1/4 x 23 13/16	
	1 - 12 1/4 x 25		1 - 13 3/4 x 25 1/2		1 - 11 1/16 x 23 13/16	
3-W4230BR-L	2 - 12 13/16 x 28		2 - 13 9/16 x 28 1/2		2 - 12 1/4 x 26 13/16	
	1 - 12 1/4 x 28		1 - 13 3/4 x 28 1/2		1 - 11 1/16 x 26 13/16	
3-W4233BR-L	2 - 12 13/16 x 31		2 - 13 9/16 x 31 1/2		2 - 12 1/4 x 29 13/16	
	1 - 12 1/4 x 31		1 - 13 3/4 x 31 1/2		1 - 11 1/16 x 29 13/16	
3-W4236BR-L	2 - 12 13/16 x 34		2 - 13 9/16 x 34 1/2		2 - 12 1/4 x 32 13/16	
	1 - 12 1/4 x 34		1 - 13 3/4 x 34 1/2		1 - 11 1/16 x 32 13/16	
3-W4239BR-L	2 - 12 13/16 x 37		2 - 13 9/16 x 37 1/2		2 - 12 1/4 x 35 13/16	
	1 - 12 1/4 x 37		1 - 13 3/4 x 37 1/2		1 - 11 1/16 x 35 13/16	
3-W4242BR-L	2 - 12 13/16 x 40		2 - 13 9/16 x 40 1/2		2 - 12 1/4 x 38 13/16	
	1 - 12 1/4 x 40		1 - 13 3/4 x 40 1/2		1 - 11 1/16 x 38 13/16	
3-W4512BR-L	2 - 13 13/16 x 10		2 - 14 9/16 x 10 1/2		2 - 13 1/4 x 8 13/16	
	1 - 13 1/4 x 10		1 - 14 3/4 x 10 1/2		1 - 12 1/16 x 8 13/16	
3-W4515BR-L	2 - 13 13/16 x 13		2 - 14 9/16 x 13 1/2		2 - 13 1/4 x 11 13/16	
	1 - 13 1/4 x 13		1 - 14 3/4 x 13 1/2		1 - 12 1/16 x 11 13/16	
3-W4518BR-L	2 - 13 13/16 x 16		2 - 14 9/16 x 16 1/2		2 - 13 1/4 x 14 13/16	
	1 - 13 1/4 x 16		1 - 14 3/4 x 16 1/2		1 - 12 1/16 x 14 13/16	
3-W4521BR-L	2 - 13 13/16 x 19		2 - 14 9/16 x 19 1/2		2 - 13 1/4 x 17 13/16	
	1 - 13 1/4 x 19		1 - 14 3/4 x 19 1/2		1 - 12 1/16 x 17 13/16	
3-W4524BR-L	2 - 13 13/16 x 22		2 - 14 9/16 x 22 1/2		2 - 13 1/4 x 20 13/16	
	1 - 13 1/4 x 22		1 - 14 3/4 x 22 1/2		1 - 12 1/16 x 20 13/16	
3-W4527BR-L	2 - 13 13/16 x 25		2 - 14 9/16 x 25 1/2		2 - 13 1/4 x 23 13/16	
	1 - 13 1/4 x 25		1 - 14 3/4 x 25 1/2		1 - 12 1/16 x 23 13/16	
3-W4530BR-L	2 - 13 13/16 x 28		2 - 14 9/16 x 28 1/2		2 - 13 1/4 x 26 13/16	
	1 - 13 1/4 x 28		1 - 14 3/4 x 28 1/2		1 - 12 1/16 x 26 13/16	
3-W4533BR-L	2 - 13 13/16 x 31		2 - 14 9/16 x 31 1/2		2 - 13 1/4 x 29 13/16	
	1 - 13 1/4 x 31		1 - 14 3/4 x 31 1/2		1 - 12 1/16 x 29 13/16	
3-W4536BR-L	2 - 13 13/16 x 34		2 - 14 9/16 x 34 1/2		2 - 13 1/4 x 32 13/16	
	1 - 13 1/4 x 34		1 - 14 3/4 x 34 1/2		1 - 12 1/16 x 32 13/16	
3-W4539BR-L	2 - 13 13/16 x 37		2 - 14 9/16 x 37 1/2		2 - 13 1/4 x 35 13/16	
	1 - 13 1/4 x 37		1 - 14 3/4 x 37 1/2		1 - 12 1/16 x 35 13/16	
3-W4542BR-L	2 - 13 13/16 x 40		2 - 14 9/16 x 40 1/2		2 - 13 1/4 x 38 13/16	
	1 - 13 1/4 x 40		1 - 14 3/4 x 40 1/2		1 - 12 1/16 x 38 13/16	
3-W4812BR-L	2 - 14 13/16 x 10		2 - 15 9/16 x 10 1/2		2 - 14 1/4 x 8 13/16	
	1 - 14 1/4 x 10		1 - 15 3/4 x 10 1/2		1 - 13 1/16 x 8 13/16	
3-W4815BR-L	2 - 14 13/16 x 13		2 - 15 9/16 x 13 1/2		2 - 14 1/4 x 11 13/16	
	1 - 14 1/4 x 13		1 - 15 3/4 x 13 1/2		1 - 13 1/16 x 11 13/16	
3-W4818BR-L	2 - 14 13/16 x 16		2 - 15 9/16 x 16 1/2		2 - 14 1/4 x 14 13/16	
	1 - 14 1/4 x 16		1 - 15 3/4 x 16 1/2		1 - 13 1/16 x 14 13/16	
3-W4821BR-L	2 - 14 13/16 x 19		2 - 15 9/16 x 19 1/2		2 - 14 1/4 x 17 13/16	
	1 - 14 1/4 x 19		1 - 15 3/4 x 19 1/2		1 - 13 1/16 x 17 13/16	
3-W4824BR-L	2 - 14 13/16 x 22		2 - 15 9/16 x 22 1/2		2 - 14 1/4 x 20 13/16	
	1 - 14 1/4 x 22		1 - 15 3/4 x 22 1/2		1 - 13 1/16 x 20 13/16	

Door & Drawer Front Sizes

PREFERRED
BY KARMAN

Cabinet	HALF OVERLAY		FULL OVERLAY		INSET	
	Door	Drawer Front	Door	Drawer Front	Door	Drawer Front
3-W4824BR-L	2- 14 13/16 x 22		2- 15 9/16 x 22 1/2		2- 14 1/4 x 20 13/16	
	1- 14 1/4 x 22		1- 15 3/4 x 22 1/2		1- 13 1/16 x 20 13/16	
3-W4827BR-L	2- 14 13/16 x 25		2- 15 9/16 x 25 1/2		2- 14 1/4 x 20 13/16	
	1- 14 1/4 x 25		1- 15 3/4 x 25 1/2		1- 13 1/16 x 20 13/16	
3-W4830BR-L	2- 14 13/16 x 28		2- 15 9/16 x 28 1/2		2- 14 1/4 x 26 13/16	
	1- 14 1/4 x 28		1- 15 3/4 x 28 1/2		1- 13 1/16 x 26 13/16	
3-W4833BR-L	2- 14 13/16 x 31		2- 15 9/16 x 31 1/2		2- 14 1/4 x 29 13/16	
	1- 14 1/4 x 31		1- 15 3/4 x 31 1/2		1- 13 1/16 x 29 13/16	
3-W4836BR-L	2- 14 13/16 x 34		2- 15 9/16 x 34 1/2		2- 14 1/4 x 32 13/16	
	1- 14 1/4 x 34		1- 15 3/4 x 34 1/2		1- 13 1/16 x 32 13/16	
3-W4839BR-L	2- 14 13/16 x 37		2- 15 9/16 x 37 1/2		2- 14 1/4 x 35 13/16	
	1- 14 1/4 x 37		1- 15 3/4 x 37 1/2		1- 13 1/16 x 35 13/16	
3-W4842BR-L	2- 14 13/16 x 40		2- 15 9/16 x 40 1/2		2- 14 1/4 x 38 13/16	
	1- 14 1/4 x 40		1- 15 3/4 x 40 1/2		1- 13 1/16 x 38 13/16	
3-W5112RR-L	2- 15 13/16 x 10		2- 16 9/16 x 10 1/2		2- 15 1/4 x 8 13/16	
	1- 15 1/4 x 10		1- 16 3/4 x 10 1/2		1- 14 1/16 x 8 13/16	
3-W5115BR-L	2- 15 13/16 x 13		2- 16 9/16 x 13 1/2		2- 15 1/4 x 11 13/16	
	1- 15 1/4 x 13		1- 16 3/4 x 13 1/2		1- 14 1/16 x 11 13/16	
3-W5118BR-L	2- 15 13/16 x 16		2- 16 9/16 x 16 1/2		2- 15 1/4 x 14 13/16	
	1- 15 1/4 x 16		1- 16 3/4 x 16 1/2		1- 14 1/16 x 14 13/16	
3-W5121BR-L	2- 15 13/16 x 19		2- 16 9/16 x 19 1/2		2- 15 1/4 x 17 13/16	
	1- 15 1/4 x 19		1- 16 3/4 x 19 1/2		1- 14 1/16 x 17 13/16	
3-W5124BR-L	2- 15 13/16 x 22		2- 16 9/16 x 22 1/2		2- 15 1/4 x 20 13/16	
	1- 15 1/4 x 22		1- 16 3/4 x 22 1/2		1- 14 1/16 x 20 13/16	
3-W5130BR-L	2- 15 13/16 x 28		2- 16 9/16 x 28 1/2		2- 15 1/4 x 26 13/16	
	1- 15 1/4 x 28		1- 16 3/4 x 28 1/2		1- 14 1/16 x 26 13/16	
3-W5133BR-L	2- 15 13/16 x 31		2- 16 9/16 x 31 1/2		2- 15 1/4 x 29 13/16	
	1- 15 1/4 x 31		1- 16 3/4 x 31 1/2		1- 14 1/16 x 29 13/16	
3-W5136BR-L	2- 15 13/16 x 34		2- 16 9/16 x 34 1/2		2- 15 1/4 x 32 13/16	
	1- 15 1/4 x 34		1- 16 3/4 x 34 1/2		1- 14 1/16 x 32 13/16	
3-W5139BR-L	2- 15 13/16 x 37		2- 16 9/16 x 37 1/2		2- 15 1/4 x 35 13/16	
	1- 15 1/4 x 37		1- 16 3/4 x 37 1/2		1- 14 1/16 x 35 13/16	
3-W5142BR-L	2- 15 13/16 x 40		2- 16 9/16 x 40 1/2		2- 15 1/4 x 38 13/16	
	1- 15 1/4 x 40		1- 16 3/4 x 40 1/2		1- 14 1/16 x 38 13/16	
3-W5412BR-L	2- 16 13/16 x 10		2- 17 9/16 x 10 1/2		2- 16 1/4 x 8 13/16	
	1- 16 1/4 x 10		1- 17 3/4 x 10 1/2		1- 15 1/16 x 8 13/16	
3-W5415BR-L	2- 16 13/16 x 13		2- 17 9/16 x 13 1/2		2- 16 1/4 x 11 13/16	
	1- 16 1/4 x 13		1- 17 3/4 x 13 1/2		1- 15 1/16 x 11 13/16	
3-W5418BR-L	2- 16 13/16 x 16		2- 17 9/16 x 16 1/2		2- 16 1/4 x 14 13/16	
	1- 16 1/4 x 16		1- 17 3/4 x 16 1/2		1- 15 1/16 x 14 13/16	
3-W5421BR-L	2- 16 13/16 x 19		2- 17 9/16 x 19 1/2		2- 16 1/4 x 17 13/16	
	1- 16 1/4 x 19		1- 17 3/4 x 19 1/2		1- 15 1/16 x 17 13/16	
3-W5424BR-L	2- 16 13/16 x 22		2- 17 9/16 x 22 1/2		2- 16 1/4 x 20 13/16	
	1- 16 1/4 x 22		1- 17 3/4 x 22 1/2		1- 15 1/16 x 20 13/16	
3-W5427BR-L	2- 16 13/16 x 25		2- 17 9/16 x 25 1/2		2- 16 1/4 x 23 13/16	
	1- 16 1/4 x 25		1- 17 3/4 x 25 1/2		1- 15 1/16 x 23 13/16	

Door & Drawer Front Sizes

Cabinet	HALF OVERLAY		FULL OVERLAY		INSET	
	Door	Drawer Front	Door	Drawer Front	Door	Drawer Front
3-W5430BR-L	2 - 16 13/16 x 28		2 - 17 9/16 x 28 1/2		2 - 16 1/4 x 26 13/16	
	1 - 16 1/4 x 28		1 - 17 3/4 x 28 1/2		1 - 15 1/16 x 26 13/16	
3-W5433BR-L	2 - 16 13/16 x 31		2 - 17 9/16 x 31 1/2		2 - 16 1/4 x 29 13/16	
	1 - 16 1/4 x 31		1 - 17 3/4 x 31 1/2		1 - 15 1/16 x 29 13/16	
3-W5436BR-L	2 - 16 13/16 x 34		2 - 17 9/16 x 34 1/2		2 - 16 1/4 x 32 13/16	
	1 - 16 1/4 x 34		1 - 17 3/4 x 34 1/2		1 - 15 1/16 x 32 13/16	
3-W5439BR-L	2 - 16 13/16 x 37		2 - 17 9/16 x 37 1/2		2 - 16 1/4 x 35 13/16	
	1 - 16 1/4 x 37		1 - 17 3/4 x 37 1/2		1 - 15 1/16 x 35 13/16	
3-W5442BR-L	2 - 16 13/16 x 40		2 - 17 9/16 x 40 1/2		2 - 16 1/4 x 38 13/16	
	1 - 16 1/4 x 40		1 - 17 3/4 x 40 1/2		1 - 15 1/16 x 38 13/16	
3-W5712BR-L	2 - 17 13/16 x 10		2 - 18 9/16 x 10 1/2		2 - 17 1/4 x 8 13/16	
	1 - 17 1/4 x 10		1 - 18 3/4 x 10 1/2		1 - 16 1/16 x 8 13/16	
3-W5715BR-L	2 - 17 13/16 x 13		2 - 18 9/16 x 13 1/2		2 - 17 1/4 x 11 13/16	
	1 - 17 1/4 x 13		1 - 18 3/4 x 13 1/2		1 - 16 1/16 x 11 13/16	
3-W5718BR-L	2 - 17 13/16 x 16		2 - 18 9/16 x 16 1/2		2 - 17 1/4 x 14 13/16	
	1 - 17 1/4 x 16		1 - 18 3/4 x 16 1/2		1 - 16 1/16 x 14 13/16	
3-W5721BR-L	2 - 17 13/16 x 19		2 - 18 9/16 x 19 1/2		2 - 17 1/4 x 17 13/16	
	1 - 17 1/4 x 19		1 - 18 3/4 x 19 1/2		1 - 16 1/16 x 17 13/16	
3-W5724BR-L	2 - 17 13/16 x 22		2 - 18 9/16 x 22 1/2		2 - 17 1/4 x 20 13/16	
	1 - 17 1/4 x 22		1 - 18 3/4 x 22 1/2		1 - 16 1/16 x 20 13/16	
3-W5724BR-L	2 - 17 13/16 x 22		2 - 18 9/16 x 22 1/2		2 - 17 1/4 x 20 13/16	
	1 - 17 1/4 x 22		1 - 18 3/4 x 22 1/2		1 - 16 1/16 x 20 13/16	
3-W5727BR-L	2 - 17 13/16 x 25		2 - 18 9/16 x 25 1/2		2 - 17 1/4 x 23 13/16	
	1 - 17 1/4 x 25		1 - 18 3/4 x 25 1/2		1 - 16 1/16 x 23 13/16	
3-W5730BR-L	2 - 17 13/16 x 28		2 - 18 9/16 x 28 1/2		2 - 17 1/4 x 26 13/16	
	1 - 17 1/4 x 28		1 - 18 3/4 x 28 1/2		1 - 16 1/16 x 26 13/16	
3-W6012BR-L	2 - 18 13/16 x 10		2 - 19 9/16 x 10 1/2		2 - 18 1/4 x 8 13/16	
	1 - 18 1/4 x 10		1 - 19 3/4 x 10 1/2		1 - 17 1/16 x 8 13/16	
3-W6015BR-L	2 - 18 13/16 x 13		2 - 19 9/16 x 13 1/2		2 - 18 1/4 x 11 13/16	
	1 - 18 1/4 x 13		1 - 19 3/4 x 13 1/2		1 - 17 1/16 x 11 13/16	
3-W6018BR-L	2 - 18 13/16 x 16		2 - 19 9/16 x 16 1/2		2 - 18 1/4 x 14 13/16	
	1 - 18 1/4 x 16		1 - 19 3/4 x 16 1/2		1 - 17 1/16 x 14 13/16	
3-W6021BR-L	2 - 18 13/16 x 19		2 - 19 9/16 x 19 1/2		2 - 18 1/4 x 17 13/16	
	1 - 18 1/4 x 19		1 - 19 3/4 x 19 1/2		1 - 17 1/16 x 17 13/16	
3-W6024BR-L	2 - 18 13/16 x 22		2 - 19 9/16 x 22 1/2		2 - 18 1/4 x 20 13/16	
	1 - 18 1/4 x 22		1 - 19 3/4 x 22 1/2		1 - 17 1/16 x 20 13/16	
3-W6027BR-L	2 - 18 13/16 x 25		2 - 19 9/16 x 25 1/2		2 - 18 1/4 x 23 13/16	
	1 - 18 1/4 x 25		1 - 19 3/4 x 25 1/2		1 - 17 1/16 x 23 13/16	
3-W6030BR-L	2 - 18 13/16 x 28		2 - 19 9/16 x 28 1/2		2 - 18 1/4 x 26 13/16	
	1 - 18 1/4 x 28		1 - 19 3/4 x 28 1/2		1 - 17 1/16 x 26 13/16	
4-B48B	4 - 10 15/16 x 21	2 - 22 x 6 1/2	4 - 11 13/16 x 21 1/2	2 - 23 1/2 x 7	4 - 10 3/8 x 19 13/16	2 - 20 13/16 x 5 5/16
4-B48B FHD	4 - 10 15/16 x 28		4 - 11 13/16 x 29		4 - 10 3/8 x 26 13/16	
4-B48-12B FHD	4 - 10 15/16 x 28		4 - 11 13/16 x 29		4 - 10 3/8 x 32 13/16	
4-BAR48B FHD	4 - 10 15/16 x 34		4 - 11 13/16 x 35		4 - 10 3/8 x 32 13/16	
4-W4812B	4 - 10 15/16 x 10		4 - 11 11/16 x 10 1/2		4 - 10 3/8 x 8 13/16	
4-W4815B	4 - 10 15/16 x 13		4 - 11 11/16 x 13 1/2		4 - 10 3/8 x 11 13/16	
4-W4818B	4 - 10 15/16 x 16		4 - 11 11/16 x 16 1/2		4 - 10 3/8 x 14 13/16	

Door & Drawer Front Sizes

PREFERRED
BY KARMAN

Cabinet	HALF OVERLAY		FULL OVERLAY		INSET	
	Door	Drawer Front	Door	Drawer Front	Door	Drawer Front
4-W4821B	4 - 10 15/16 x 19		4 - 11 1/16 x 19 1/2		4 - 10 3/8 x 17 13/16	
4-W4824B	4 - 10 15/16 x 22		4 - 11 1/16 x 22 1/2		4 - 10 3/8 x 20 13/16	
4-W4827B	4 - 10 15/16 x 25		4 - 11 1/16 x 25 1/2		4 - 10 3/8 x 23 13/16	
4-W4830B	4 - 10 15/16 x 28		4 - 11 1/16 x 28 1/2		4 - 10 3/8 x 26 13/16	
4-W4833B	4 - 10 15/16 x 31		4 - 11 1/16 x 31 1/2		4 - 10 3/8 x 29 13/16	
4-W4836B	4 - 10 15/16 x 34		4 - 11 1/16 x 34 1/2		4 - 10 3/8 x 32 13/16	
4-W4839B	4 - 10 15/16 x 37		4 - 11 1/16 x 37 1/2		4 - 10 3/8 x 35 13/16	
4-W4842B	4 - 10 15/16 x 40		4 - 11 1/16 x 40 1/2		4 - 10 3/8 x 38 13/16	
4-W5112B	4 - 11 1/16 x 10		4 - 12 7/16 x 10 1/2		4 - 11 1/8 x 8 13/16	
4-W5115B	4 - 11 1/16 x 13		4 - 12 7/16 x 13 1/2		4 - 11 1/8 x 11 13/16	
4-W5118B	4 - 11 1/16 x 16		4 - 12 7/16 x 16 1/2		4 - 11 1/8 x 14 13/16	
4-W5121B	4 - 11 1/16 x 19		4 - 12 7/16 x 19 1/2		4 - 11 1/8 x 17 13/16	
4-W5124B	4 - 11 1/16 x 22		4 - 12 7/16 x 22 1/2		4 - 11 1/8 x 20 13/16	
4-W5127B	4 - 11 1/16 x 25		4 - 12 7/16 x 25 1/2		4 - 11 1/8 x 23 13/16	
4-W5130B	4 - 11 1/16 x 28		4 - 12 7/16 x 28 1/2		4 - 11 1/8 x 26 13/16	
4-W5133B	4 - 11 1/16 x 31		4 - 12 7/16 x 31 1/2		4 - 11 1/8 x 29 13/16	
4-W5136B	4 - 11 1/16 x 34		4 - 12 7/16 x 34 1/2		4 - 11 1/8 x 32 13/16	
4-W5139B	4 - 11 1/16 x 37		4 - 12 7/16 x 37 1/2		4 - 11 1/8 x 35 13/16	
4-W5142B	4 - 11 1/16 x 40		4 - 12 7/16 x 40 1/2		4 - 11 1/8 x 38 13/16	
4-W5412B	4 - 14 7/16 x 10		4 - 13 3/16 x 10 1/2		4 - 11 7/8 x 8 13/16	
4-W5415B	4 - 14 7/16 x 13		4 - 13 3/16 x 13 1/2		4 - 11 7/8 x 11 13/16	
4-W5418B	4 - 14 7/16 x 16		4 - 13 3/16 x 16 1/2		4 - 11 7/8 x 14 13/16	
4-W5421B	4 - 14 7/16 x 19		4 - 13 3/16 x 19 1/2		4 - 11 7/8 x 17 13/16	
4-W5424B	4 - 14 7/16 x 22		4 - 13 3/16 x 22 1/2		4 - 11 7/8 x 20 13/16	
4-W5427B	4 - 14 7/16 x 25		4 - 13 3/16 x 25 1/2		4 - 11 7/8 x 23 13/16	
4-W5430B	4 - 14 7/16 x 28		4 - 13 3/16 x 28 1/2		4 - 11 7/8 x 26 13/16	
4-W5433B	4 - 14 7/16 x 31		4 - 13 3/16 x 31 1/2		4 - 11 7/8 x 29 13/16	
4-W5436B	4 - 14 7/16 x 34		4 - 13 3/16 x 34 1/2		4 - 11 7/8 x 32 13/16	
4-W5439B	4 - 14 7/16 x 37		4 - 13 3/16 x 37 1/2		4 - 11 7/8 x 35 13/16	
4-W5442B	4 - 14 7/16 x 40		4 - 13 3/16 x 40 1/2		4 - 11 7/8 x 38 13/16	
4-W5712B	4 - 13 3/16 x 10		4 - 13 15/16 x 10 1/2		4 - 12 5/8 x 8 13/16	
4-W5715B	4 - 13 3/16 x 13		4 - 13 15/16 x 13 1/2		4 - 12 5/8 x 11 13/16	
4-W5718B	4 - 13 3/16 x 16		4 - 13 15/16 x 16 1/2		4 - 12 5/8 x 14 13/16	
4-W5721B	4 - 13 3/16 x 19		4 - 13 15/16 x 19 1/2		4 - 12 5/8 x 17 13/16	
4-W5724B	4 - 13 3/16 x 22		4 - 13 15/16 x 22 1/2		4 - 12 5/8 x 20 13/16	
4-W5727B	4 - 13 3/16 x 25		4 - 13 15/16 x 25 1/2		4 - 12 5/8 x 23 13/16	
4-W5730B	4 - 13 3/16 x 28		4 - 13 15/16 x 28 1/2		4 - 12 5/8 x 26 13/16	
4-W6012B	4 - 13 15/16 x 10		4 - 14.6857 x 10 1/2		4 - 13 3/8 x 8 13/16	
4-W6015B	4 - 13 15/16 x 13		4 - 14.6857 x 13 1/2		4 - 13 3/8 x 11 13/16	
4-W6018B	4 - 13 15/16 x 16		4 - 14.6857 x 16 1/2		4 - 13 3/8 x 14 13/16	
4-W6021B	4 - 13 15/16 x 19		4 - 14.6857 x 19 1/2		4 - 13 3/8 x 17 13/16	
4-W6024B	4 - 13 15/16 x 22		4 - 14.6857 x 22 1/2		4 - 13 3/8 x 20 13/16	
4-W6027B	4 - 13 15/16 x 25		4 - 14.6857 x 25 1/2		4 - 13 3/8 x 23 13/16	
4-W6030B	4 - 13 15/16 x 28		4 - 14.6857 x 28 1/2		4 - 13 3/8 x 26 13/16	
AHCFC60	2 - 18 1/4 x 16	2 - 13 x 7 3/4	2 - 19 3/4 x 16 1/2	2 - 14 1/2 x 8 1/4	2 - 17 1/16 x 14 13/16	2 - 11 13/16 x 6 9/16
AHCFC66	2 - 18 1/4 x 16	2 - 19 x 7 3/4	2 - 19 3/4 x 16 1/2	2 - 20 1/2 x 8 1/4	2 - 17 1/16 x 14 13/16	2 - 17 13/16 x 6 9/16
AHCFC72	2 - 21 1/4 x 16	2 - 19 x 7 3/4	2 - 22 3/4 x 16 1/2	2 - 20 1/2 x 8 1/4	2 - 21 1/16 x 14 13/16	2 - 17 13/16 x 6 9/16

Door & Drawer Front Sizes

Cabinet	HALF OVERLAY		FULL OVERLAY		INSET	
	Door	Drawer Front	Door	Drawer Front	Door	Drawer Front
AHCFB30		2-23½ x 7 3/4		2-25 x 8¼		2-22 5/16 x 6 9/16
AHCFB33		2-26½ x 7 3/4		2-28 x 8¼		2-25 5/16 x 6 9/16
AHCFB36		2-29½ x 7 3/4		2-31 x 8¼		2-28 5/16 x 6 9/16
AHCFB39		2-32½ x 7 3/4		2-34 x 8¼		2-31 5/16 x 6 9/16
AHCFB42		2-35½ x 7 3/4		2-37 x 8¼		2-34 5/16 x 6 9/16
AHCFSC54 R-L	1-20½ x 16	4-11½ x 7 3/4	1-22 x 16½	4-13 x 8¼	1-19 5/16 x 14 13/16	4-10 5/16 x 6 9/16
AHCFSC60 R-L	1-20½ x 16	4-14½ x 7 3/4	1-22 x 16½	4-16 x 8¼	1-19 5/16 x 14 13/16	4-13 5/16 x 6 9/16
AHCFSC66 R-L	1-20½ x 16	4-17½ x 7 3/4	1-22 x 16½	4-19 x 8¼	1-19 5/16 x 14 13/16	4-17 5/16 x 6 9/16
AHCFSC72 R-L	2-13 3/16 x 16	4-17½ x 7 3/4	2-13 15/16 x 16½	4-19 x 8¼	2-12 5/8 x 14 13/16	4-17 5/16 x 6 9/16
AHCFSD60	2-18¼ x 16	2-14 x 7 3/4	2-19 3/4 x 16½	2-15½ x 8¼	2-17 1/16 x 14 13/16	2-12 13/16 x 6 9/16
AHCFSD66	2-18¼ x 16	2-19 x 7 3/4	2-19 3/4 x 16½	2-20½ x 8¼	2-17 1/16 x 14 13/16	2-17 13/16 x 6 9/16
AHCFSD72	2-21¼ x 16	2-19 x 7 3/4	2-22 3/4 x 16½	2-20½ x 8¼	2-20 1/16 x 14 13/16	2-17 13/16 x 6 9/16
AHCVSF3333-R-L	1-13 3/8 x 21	1-13 3/8 x 6½		1-13 3/8 x	1-12 3/16 x 19 13/16	1-12 3/16 x 5 5/16
AHCVSF3636-R-L	1-16 5/8 x 21	1-16 5/8 x 6½		1-16 5/8 x	1-16 7/16 x 19 13/16	1-16 7/16 x 5 5/16
AHCVSF3939-R-L	1-22 x 21	1-22 x 6½		1-22 x	1-20 13/16 x 19 13/16	1-20 13/16 x 5 5/16
AHOFDC60	2-18¼ x 23½	1-14 x 6½ 2-14 x 8	2-19 3/4 x 24	1-15½ x 7 1-15½ x 8 1-15½ x 8½	2-17 1/16 x 22 5/16	1-12 13/16 x 5 5/16 2-6 13/16 x 0
AHOFDC66	2-18¼ x 23½	1-19 x 6½ 2-19 x 8	2-19 3/4 x 24	1-20½ x 7 1-20½ x 8 1-20½ x 8½	2-17 1/16 x 22 5/16	1-17 13/16 x 5 5/16 2-6 13/16 x 0
AHOFDC72	2-21¼ x 23½	1-19 x 6½ 2-19 x 8	2-22 3/4 x 24	1-20½ x 7 1-20½ x 8 1-20½ x 8½	2-20 1/16 x 22 5/16	1-17 13/16 x 5 5/16 2-6 13/16 x 0
AHOFB21-FHD-R-L	1-14½ x 23½		1-16 x 24		1-13 5/16 x 22 5/16	
AHOFB24-FHD-R-L	1-17½ x 23½		1-19 x 24		1-16 5/16 x 22 5/16	
AHOFB30-FHD	2-11 11/16 x 23½		2-12 7/16 x 24		2-11 1/8 x 22 5/16	
AHOFB33-FHD	2-13 3/16 x 23½		2-13 15/16 x 24		2-16 5/8 x 22 5/16	
AHOFB36-FHD	2-14 11/16 x 23½		2-15 7/16 x 24		2-14 1/8 x 22 5/16	
AHOFB39-FHD	2-16 3/16 x 23½		2-16 15/16 x 24		2-15 5/8 x 22 5/16	
AHOFB42-FHD	2-17 11/16 x 23½		2-18 7/16 x 24		2-17 1/8 x 22 5/16	
AHOFSC54 R-L	1-20½ x 23½	2-11½ x 6½ 4-11½ x 8	1-22 x 24	2-13 x 7 2-13 x 8 2-13 x 8½	1-19 5/16 x 22 5/16	2-10 5/16 x 5 5/16 4-10 5/16 x 6 13/16
AHOFSC60 R-L	1-20½ x 23½	2-14½ x 6½ 4-14½ x 8	1-22 x 24	2-16 x 7 2-16 x 8 2-16 x 8½	1-19 5/16 x 22 5/16	2-13 5/16 x 5 5/16 4-13 5/16 x 6 13/16
AHOFSC66 R-L	1-20½ x 23½	2-17½ x 6½ 4-17½ x 8	1-22 x 24	2-19 x 7 2-19 x 8 2-19 x 8½	1-19 5/16 x 22 5/16	2-16 5/16 x 5 5/16 4-16 5/16 x 6 13/16
AHOFSC72 R-L	2-13 3/16 x 23½	2-17½ x 6½ 4-17½ x 8	2-28 x 13 11/16	2-19 x 7 2-19 x 8 2-19 x 8½	2-12 5/8 x 22 5/16	2-16 5/16 x 5 5/16 4-16 5/16 x 6 13/16
AHRFB21-FHDR-L	1-14½ x 23½		1-16 x 24½		1-13 5/16 x 22 5/16	
AHRFB24-FHDR-L	1-17½ x 23½		1-19 x 24½		1-16 5/16 x 22 5/16	
AHRFB30-FHD	2-11 11/16 x 23½		2-12 7/16 x 24½		2-11 1/8 x 22 5/16	
AHRFB33-FHD	2-13 3/16 x 23½		2-13 15/16 x 24½		2-12 5/8 x 22 5/16	

Door & Drawer Front Sizes

PREFERRED
BY KARMAN

Cabinet	HALF OVERLAY		FULL OVERLAY		INSET	
	Door	Drawer Front	Door	Drawer Front	Door	Drawer Front
AHRFSB36-FHD	2 - 14 11/16 x 23 1/2		2 - 15 7/16 x 24 1/2		2 - 14 1/8 x 22 5/16	
AHRFSB39-FHD	2 - 16 3/16 x 23 1/2		2 - 16 15/16 x 24 1/2		2 - 15 5/8 x 22 5/16	
AHRFSB42-FHD	2 - 17 11/16 x 23 1/2		2 - 18 7/16 x 24 1/2		2 - 17 1/8 x 22 5/16	
AHRFSBI21	1 - 14 1/2 x 17	1 - 14 1/2 x 6	1 - 16 x 17 1/2	1 - 16 x 6 1/2	1 - 13 5/16 x 15 13/16	1 - 13 5/16 x 4 5/16
AHRFSBI24	1 - 17 1/2 x 17	1 - 17 1/2 x 6	1 - 19 x 17 1/2	1 - 19 x 6 1/2	1 - 16 5/16 x 15 13/16	1 - 16 5/16 x 4 5/16
AHRFSBI30	2 - 11 11/16 x 17	1 - 23 1/2 x 6	2 - 12 7/16 x 17 1/2	1 - 25 x 6 1/2	2 - 11 1/8 x 15 13/16	1 - 22 5/16 x 4 5/16
AHRFSBI33	2 - 13 3/16 x 17	1 - 26 1/2 x 6	2 - 13 15/16 x 17 1/2	1 - 28 x 6 1/2	2 - 16 5/8 x 15 13/16	1 - 25 5/16 x 4 5/16
AHRFSBI36	2 - 14 11/16 x 17	1 - 29 1/2 x 6	2 - 15 7/16 x 17 1/2	1 - 31 x 6 1/2	2 - 14 1/8 x 15 13/16	1 - 28 5/16 x 4 5/16
AHRFSBI39	2 - 16 3/16 x 17	1 - 32 1/2 x 6	2 - 16 15/16 x 17 1/2	1 - 34 x 6 1/2	2 - 15 5/8 x 15 13/16	1 - 31 5/16 x 4 5/16
AHRFSBI42	2 - 17 11/16 x 17	1 - 35 1/2 x 6	2 - 18 7/16 x 17 1/2	1 - 37 x 6 1/2	2 - 17 1/8 x 15 13/16	1 - 34 5/16 x 4 5/16
AHTFDC60	4 - 25 3/4 x 5 3/4		4 - 27 1/4 x 6 1/4		4 - 24 9/16 x 4 9/16	
AHTFDC66	4 - 28 3/4 x 5 3/4		4 - 30 1/4 x 6 1/4		4 - 27 9/16 x 4 9/16	
AHTFDC72	4 - 31 3/4 x 5 3/4		4 - 33 1/4 x 6 1/4		4 - 30 9/16 x 4 9/16	
AHTFSC54	4 - 22 3/4 x 5 3/4		4 - 24 1/4 x 6 1/4		4 - 21 9/16 x 4 9/16	
AHTFSC60	4 - 25 3/4 x 5 3/4		4 - 27 1/4 x 6 1/4		4 - 24 9/16 x 4 9/16	
AHTFSC66	4 - 28 3/4 x 5 3/4		4 - 30 1/4 x 6 1/4		4 - 27 9/16 x 4 9/16	
AHTFSC72	4 - 31 3/4 x 5 3/4		4 - 33 1/4 x 6 1/4		4 - 30 9/16 x 4 9/16	
AHV2D15	2 - 13 x 13 3/4		2 - 14 1/2 x 14 1/4		2 - 11 13/16 x 12 9/16	
AHV2D18	2 - 16 x 13 3/4		2 - 17 1/2 x 14 1/4		2 - 14 13/16 x 12 9/16	
AHV2D21	2 - 19 x 13 3/4		2 - 20 1/2 x 14 1/4		2 - 17 13/16 x 12 9/16	
AHV2D24	2 - 22 x 13 3/4		2 - 23 1/2 x 14 1/4		2 - 20 13/16 x 12 9/16	
AHV2D27	2 - 25 x 13 3/4		2 - 26 1/2 x 14 1/4		2 - 23 13/16 x 12 9/16	
AHV2D30	2 - 28 x 13 3/4		2 - 29 1/2 x 14 1/4		2 - 26 13/16 x 12 9/16	
AHV2D33	2 - 31 x 13 3/4		2 - 32 1/2 x 14 1/4		2 - 29 13/16 x 12 9/16	
AHV2D36	2 - 34 x 13 3/4		2 - 35 1/2 x 14 1/4		2 - 32 13/16 x 12 9/16	
AHV2D2S24	2 - 10 x 6 1/2		2 - 11 1/2 x 7		2 - 8 13/16 x 5 5/16	
	2 - 22 x 10 1/4		1 - 23 1/2 x 10 1/4		2 - 20 13/16 x 9 1/16	
			1 - 23 1/2 x 10 3/4			
AHV2D2S27	2 - 11 1/2 x 6 1/2		2 - 13 x 7		2 - 10 5/16 x 5 5/16	
	2 - 25 x 10 1/4		1 - 26 1/2 x 10 1/4		2 - 23 13/16 x 9 1/16	
			1 - 26 1/2 x 10 3/4			
AHV2D2S30	2 - 13 x 6 1/2		2 - 14 1/2 x 7		2 - 11 13/16 x 5 5/16	
	2 - 28 x 10 1/4		1 - 29 1/2 x 10 1/4		2 - 26 13/16 x 9 1/16	
			1 - 29 1/2 x 10 3/4			
AHV2D2S33	2 - 14 1/2 x 6 1/2		2 - 16 x 7		2 - 13 5/16 x 5 5/16	
	2 - 31 x 10 1/4		1 - 32 1/2 x 10 1/4		2 - 29 13/16 x 9 1/16	
			1 - 32 1/2 x 10 3/4			
AHV2D2S36	2 - 16 x 6 1/2		2 - 17 1/2 x 7		2 - 14 13/16 x 5 5/16	
	2 - 34 x 10 1/4		1 - 35 1/2 x 10 1/4		2 - 32 13/16 x 9 1/16	
			1 - 35 1/2 x 10 3/4			
AHV3D12	1 - 10 x 6 1/2		1 - 11 1/2 x 7		1 - 8 13/16 x 5 5/16	
	2 - 10 x 10 1/4		1 - 11 1/2 x 10 1/4		2 - 8 13/16 x 9 1/16	
			1 - 11 1/2 x 10 3/4			
AHV3D15	1 - 13 x 6 1/2		1 - 14 1/2 x 7		1 - 11 13/16 x 5 5/16	
	2 - 13 x 10 1/4		1 - 14 1/2 x 10 1/4		2 - 11 13/16 x 9 1/16	
			1 - 14 1/2 x 10 3/4			

Door & Drawer Front Sizes

Cabinet	HALF OVERLAY		FULL OVERLAY		INSET	
	Door	Drawer Front	Door	Drawer Front	Door	Drawer Front
AHV3D18		1-16 x 6½		1-17½ x 7		1-14 13/16 x 5 5/16
		2-16 x 10¼		1-17½ x 10¼		2-14 13/16 x 9 1/16
				1-17½ x 10 3/4		
AHV3D21		1-19 x 6½		1-20½ x 7		1-17 13/16 x 5 5/16
		2-19 x 10¼		1-20½ x 10¼		2-17 13/16 x 9 1/16
				1-20½ x 10 3/4		
AHV3D24		1-22 x 6½		1-23½ x 7		1-20 13/16 x 5 5/16
		2-22 x 10¼		1-23½ x 10¼		2-20 13/16 x 9 1/16
				1-23½ x 10 3/4		
AHV3D27		1-25 x 6½		1-26½ x 7		1-23 13/16 x 5 5/16
		2-25 x 10¼		1-26½ x 10¼		2-23 13/16 x 9 1/16
				1-26½ x 10 3/4		
AHV3D30		1-28 x 6½		1-29½ x 7		1-26 13/16 x 5 5/16
		2-28 x 10¼		1-29½ x 10¼		2-26 13/16 x 9 1/16
				1-29½ x 10 3/4		
AHV3D33		1-31 x 6½		1-32½ x 7		1-29 13/16 x 5 5/16
		2-31 x 10¼		1-32½ x 10¼		2-29 13/16 x 9 1/16
				1-32½ x 10 3/4		
AHV3D36		1-34 x 6½		1-35½ x 7		1-32 13/16 x 5 5/16
		2-34 x 10¼		1-35½ x 10¼		2-32 13/16 x 9 1/16
				1-35½ x 10 3/4		
AHV4D12		3-10 x 6½		1-11½ x 7		3-8 13/16 x 5 5/16
		1-10 x 7		2-11½ x 6½		1-8 13/16 x 5 13/16
				1-11½ x 7½		
AHV4D15		3-13 x 6½		1-14½ x 7		3-11 13/16 x 5 5/16
		1-13 x 7		2-14½ x 6½		1-11 13/16 x 5 13/16
				1-14½ x 7½		
AHV4D18		3-16 x 6½		1-17½ x 7		3-14 13/16 x 5 5/16
		1-16 x 7		2-17½ x 6½		1-14 13/16 x 5 13/16
				1-17½ x 7½		
AHV4D21		3-19 x 6½		1-20½ x 7		3-17 13/16 x 5 5/16
		1-19 x 7		2-20½ x 6½		1-17 13/16 x 5 13/16
				1-20½ x 7½		
AHV4D24		3-22 x 6½		1-23½ x 7		3-20 13/16 x 5 5/16
		1-22 x 7		2-23½ x 6½		1-20 13/16 x 5 13/16
				1-23½ x 7½		
AHV4D27		3-25 x 6½		1-26½ x 7		3-23 13/16 x 5 5/16
		1-25 x 7		2-26½ x 6½		1-23 13/16 x 5 13/16
				1-26½ x 7½		
AHV4D30		3-28 x 6½		1-29½ x 7		3-26 13/16 x 5 5/16
		1-28 x 7		2-29½ x 6½		1-26 13/16 x 5 13/16
				1-29½ x 7½		
AHV4D33		3-31 x 6½		1-32½ x 7		3-29 13/16 x 5 5/16
		1-31 x 7		2-32½ x 6½		1-29 13/16 x 5 13/16
				1-32½ x 7½		

Door & Drawer Front Sizes

PREFERRED
BY KARMAN

Cabinet	HALF OVERLAY		FULL OVERLAY		INSET	
	Door	Drawer Front	Door	Drawer Front	Door	Drawer Front
AHV4D36		3-34x6½ 1-34x7		1-35½x7 2-35½x6½ 1-35½x7½		3-32 13/16x5 5/16 1-32 13/16x5 13/16
AHVB09-R-L	1-7x21	1-7x6½	1-8½x21½	1-8½x7	1-5 13/16x19 13/16	1-5 13/16x5 5/16
AHVB12 R-L	1-10x21	1-10x6½	1-11½x21½	1-11½x7	1-8 13/16x19 13/16	1-8 13/16x5 5/16
AHVB15 R-L	1-13x21	1-13x6½	1-14½x21½	1-14½x7	1-11 13/16x19 13/16	1-11 13/16x5 5/16
AHVB18 R-L	1-16x21	1-16x6½	1-17½x21½	1-17½x7	1-14 13/16x19 13/16	1-14 13/16x5 5/16
AHVB21 R-L	1-19x21	1-19x6½	1-20½x21½	1-20½x7	1-17 13/16x19 13/16	1-17 13/16x5 5/16
AHVB24 R-L	1-22x21	1-22x6½	1-23½x21½	1-23½x7	1-20 13/16x19 13/16	1-20 13/16x5 5/16
AHVB24B	2-10 15/16x21	1-22x6½	2-11 11/16x21½	1-23½x7	2-10 3/8x19 13/16	1-20 13/16x5 5/16
AHVB27B	2-12 7/16x21	1-25x6½	2-13 3/16x21½	1-26½x7	2-11 7/8x19 13/16	1-23 13/16x5 5/16
AHVB30B	2-13 15/16x21	1-28x6½	2-14 11/16x21½	1-29½x7	2-13 3/8x19 13/16	1-26 13/16x5 5/16
AHVB33B	2-15 7/16x21	1-31x6½	2-16 3/16x21½	1-32½x7	2-14 7/8x19 13/16	1-29 13/16x5 5/16
AHVB36B	2-16 15/16x21	1-34x6½	2-17 11/16x21½	1-35½x7	2-16 3/8x19 13/16	1-32 13/16x5 5/16
AHVB39B	2-18 7/16x21	1-37x6½	2-19 3/16x21½	1-38½x7	2-17 7/8x19 13/16	1-35 13/16x5 5/16
AHVB42B	2-19 15/16x21	1-40x6½	2-20 11/16x21½	1-41½x7	2-19 3/8x19 13/16	1-38 13/16x5 5/16
AHVB45B	2-21 7/16x21	1-43x6½	2-22 3/16x21½	1-44½x7	2-20 7/8x19 13/16	1-41 13/16x5 5/16
AHVB48B	2-22 15/16x21	1-46x6½	2-23 11/16x21½	1-47½x7	2-22 3/8x19 13/16	1-44 13/16x5 5/16
AHVB9 R-L FHD	1-7x28		1-8½x29		1-5 13/16x26 13/16	
AHVB12 R-L FHD	1-10x28		1-11½x29		1-8 13/16x26 13/16	
AHVB15 R-L FHD	1-13x28		1-14½x29		1-11 13/16x26 13/16	
AHVB21 R-L FHD	1-19x28		1-20½x29		1-17 13/16x26 13/16	
AHVB24 R-L FHD	1-22x28		1-23½x29		1-20 13/16x26 13/16	
AHVB24B FHD	2-10 15/16x28		2-11 11/16x29		2-10 3/8x26 13/16	
AHVB27B FHD	2-12 7/16x28		2-13 3/16x29		2-11 7/8x26 13/16	
AHVB30B FHD	2-13 15/16x28		2-14 11/16x29		2-13 3/8x26 13/16	
AHVB33B FHD	2-15 7/16x28		2-16 3/16x29		2-14 7/8x26 13/16	
AHVB36B FHD	2-16 15/16x28		2-17 11/16x29		2-16 3/8x26 13/16	
AHVB39B FHD	2-18 7/16x28		2-19 3/16x29		2-17 7/8x26 13/16	
AHVB42B FHD	2-19 15/16x28		2-20 11/16x29		2-19 3/8x26 13/16	
AHVB45B FHD	2-21 7/16x28		2-22 3/16x29		2-20 7/8x26 13/16	
AHVB48B FHD	2-22 15/16x28		2-23 11/16x29		2-22 3/8x26 13/16	
AHVB24B-02	2-10 15/16x21	2-10 15/16x6½	2-11 11/16x21½	2-11 11/16x7	2-10 3/8x19 13/16	2-8 13/16x5 5/16
AHVB27B-02	2-12 7/16x21	2-12 7/16x6½	2-13 3/16x21½	2-13 3/16x7	2-11 7/8x19 13/16	2-10 5/16x5 5/16
AHVB30B-02	2-13 15/16x21	2-13 15/16x6½	2-14 11/16x21½	2-14 11/16x7	2-13 3/8x19 13/16	2-11 13/16x5 5/16
AHVB33B-02	2-15 7/16x21	2-15 7/16x6½	2-16 3/16x21½	2-16 3/16x7	2-14 7/8x19 13/16	2-13 5/16x5 5/16
AHVB36B-02	2-16 15/16x21	2-16 15/16x6½	2-17 11/16x21½	2-17 11/16x7	2-16 3/8x19 13/16	2-14 13/16x5 5/16
AHVB39B-02	2-18 7/16x21	2-18 7/16x6½	2-19 3/16x21½	2-19 3/16x7	2-17 7/8x19 13/16	2-16 5/16x5 5/16
AHVB42B-02	2-19 15/16x21	2-19 15/16x6½	2-20 11/16x21½	2-20 11/16x7	2-19 3/8x19 13/16	2-17 13/16x5 5/16
AHVB48B-02	2-22 15/16x21	2-22 15/16x6½	2-23 11/16x21½	2-23 11/16x7	2-22 3/8x19 13/16	2-20 13/16x5 5/16
AHVED18B	2-11 3/16x28		2-11 15/16x29		2-10 5/8x26 13/16	
AHVED21B	2-13¼x28		2-14 7/16x29		2-12 11/16x26 13/16	
AHVF24 R-L	1-22x21	1-22x6½	1-23½x21½	1-23½x7	1-20 13/16x19 13/16	1-20 13/16x5 5/16
AHVF24B	2-10 15/16x21	1-22x6½	2-11 11/16x21½	1-23½x7	2-10 3/8x19 13/16	1-20 13/16x5 5/16
AHVF27B	2-12 7/16x21	1-25x6½	2-13 3/16x21½	1-26½x7	2-11 7/8x19 13/16	1-23 13/16x5 5/16
AHVF30B	2-13 15/16x21	1-28x6½	2-14 11/16x21½	1-29½x7	2-13 3/8x19 13/16	1-26 13/16x5 5/16
AHVF33B	2-15 7/16x21	1-31x6½	2-16 3/16x21½	1-32½x7	2-14 7/8x19 13/16	1-29 13/16x5 5/16

Door & Drawer Front Sizes

Cabinet	HALF OVERLAY		FULL OVERLAY		INSET	
	Door	Drawer Front	Door	Drawer Front	Door	Drawer Front
AHVF36B	2 - 16 15/16 x 21	1 - 34 x 6 1/2	2 - 17 11/16 x 21 1/2	1 - 35 1/2 x 7	2 - 16 3/8 x 19 13/16	1 - 32 13/16 x 5 5/16
AHVF39B	2 - 18 7/16 x 21	1 - 37 x 6 1/2	2 - 17 7/8 x 21 1/2	1 - 38 1/2 x 7	2 - 17 7/8 x 19 13/16	1 - 35 13/16 x 5 5/16
AHVF42B	2 - 19 15/16 x 21	1 - 40 x 6 1/2	2 - 19 3/8 x 21 1/2	1 - 41 1/2 x 7	2 - 19 3/8 x 19 13/16	1 - 38 13/16 x 5 5/16
AHVF45B	2 - 21 7/16 x 21	1 - 43 x 6 1/2	2 - 20 7/8 x 21 1/2	1 - 44 1/2 x 7	2 - 20 7/8 x 19 13/16	1 - 41 13/16 x 5 5/16
AHVF48B	2 - 22 15/16 x 21	1 - 46 x 6 1/2	2 - 22 3/8 x 21 1/2	1 - 47 1/2 x 7	2 - 22 3/8 x 19 13/16	1 - 44 13/16 x 5 5/16
AHVS18 R-L	1 - 16 x 21	1 - 16 x 6 1/2	1 - 17 1/2 x 21 1/2	1 - 17 1/2 x 7	1 - 14 13/16 x 19 13/16	1 - 14 13/16 x 5 5/16
AHVS21 R-L	1 - 19 x 21	1 - 19 x 6 1/2	1 - 20 1/2 x 21 1/2	1 - 20 1/2 x 7	1 - 17 13/16 x 19 13/16	1 - 17 13/16 x 5 5/16
AHVS24 R-L	1 - 22 x 21	1 - 22 x 6 1/2	1 - 23 1/2 x 21 1/2	1 - 23 1/2 x 7	1 - 20 13/16 x 19 13/16	1 - 20 13/16 x 5 5/16
AHVS24B	2 - 10 15/16 x 21	1 - 22 x 6 1/2	2 - 11 11/16 x 21 1/2	1 - 23 1/2 x 7	2 - 10 3/8 x 19 13/16	1 - 20 13/16 x 5 5/16
AHVS27B	2 - 12 7/16 x 21	1 - 25 x 6 1/2	2 - 13 3/16 x 21 1/2	1 - 26 1/2 x 7	2 - 11 7/8 x 19 13/16	1 - 23 13/16 x 5 5/16
AHVS30B	2 - 13 15/16 x 21	1 - 28 x 6 1/2	2 - 14 11/16 x 21 1/2	1 - 29 1/2 x 7	2 - 13 3/8 x 19 13/16	1 - 26 13/16 x 5 5/16
AHVS33B	2 - 15 7/16 x 21	1 - 31 x 6 1/2	2 - 16 3/16 x 21 1/2	1 - 32 1/2 x 7	2 - 14 7/8 x 19 13/16	1 - 29 13/16 x 5 5/16
AHVS36B	2 - 16 15/16 x 21	1 - 34 x 6 1/2	2 - 17 11/16 x 21 1/2	1 - 35 1/2 x 7	2 - 16 3/8 x 19 13/16	1 - 32 13/16 x 5 5/16
AHVS39B	2 - 18 7/16 x 21	1 - 37 x 6 1/2	2 - 19 3/16 x 21 1/2	1 - 38 1/2 x 7	2 - 17 7/8 x 19 13/16	1 - 35 13/16 x 5 5/16
AHVS3D51	2 - 17 1/2 x 21	1 - 10 x 6 1/2 2 - 10 x 10 1/4 2 - 17 1/2 x 6 1/2	2 - 19 x 21	1 - 11 1/2 x 7 1 - 11 1/2 x 10 1/4 1 - 11 1/2 x 10 3/4 2 - 19 x 7	2 - 16 5/16 x 19 13/16	1 - 8 13/16 x 5 5/16 2 - 8 13/16 x 10 1/16 2 - 16 5/16 x 5 5/16
AHVS3D54	2 - 17 1/2 x 21	1 - 13 x 6 1/2 2 - 13 x 10 1/4 2 - 17 1/2 x 6 1/2	2 - 19 x 21	1 - 14 1/2 x 7 1 - 14 1/2 x 10 1/4 1 - 14 1/2 x 10 3/4 2 - 19 x 7	2 - 16 5/16 x 19 13/16	1 - 11 13/16 x 5 5/16 2 - 11 13/16 x 10 1/16 2 - 16 5/16 x 5 5/16
AHVS3D57	2 - 19 x 21	1 - 13 x 6 1/2 2 - 13 x 10 1/4 2 - 19 x 6 1/2	2 - 20 1/2 x 21	1 - 14 1/2 x 7 1 - 14 1/2 x 10 1/4 1 - 14 1/2 x 10 3/4 2 - 20 1/2 x 7	2 - 17 13/16 x 19 13/16	1 - 11 13/16 x 5 5/16 2 - 11 13/16 x 10 1/16 2 - 17 13/16 x 5 5/16
AHVS3D60	2 - 20 1/2 x 21	1 - 13 x 6 1/2 2 - 13 x 10 1/4 2 - 20 1/2 x 6 1/2	2 - 22 x 21 1/2	1 - 14 1/2 x 7 1 - 14 1/2 x 10 1/4 1 - 14 1/2 x 10 3/4 2 - 22 x 7	2 - 19 5/16 x 19 13/16	1 - 11 13/16 x 5 5/16 2 - 11 13/16 x 9 1/16 2 - 19 5/16 x 5 5/16
AHVS42B	2 - 19 15/16 x 21	1 - 40 x 6 1/2	2 - 20 11/16 x 21 1/2	1 - 41 1/2 x 7	2 - 19 3/8 x 19 13/16	1 - 38 13/16 x 5 5/16
AHVS45B	2 - 21 7/16 x 21	1 - 43 x 6 1/2	2 - 22 3/16 x 21 1/2	1 - 44 1/2 x 7	2 - 20 7/8 x 19 13/16	1 - 41 13/16 x 5 5/16
AHVS48B	2 - 22 15/16 x 21	1 - 46 x 6 1/2	2 - 23 11/16 x 21 1/2	1 - 47 1/2 x 7	2 - 22 3/8 x 19 13/16	1 - 44 13/16 x 5 5/16
AHVS6D48B	1 - 10 15/16 x 21	2 - 10 x 6 1/2 4 - 10 x 10 1/4 1 - 22 x 6 1/2	2 - 11 11/16 x 21 1/2	2 - 11 1/2 x 7 2 - 11 1/2 x 10 1/4 2 - 11 1/2 x 10 3/4 1 - 23 1/2 x 7	2 - 10 3/8 x 19 13/16	2 - 8 13/16 x 5 5/16 4 - 8 13/16 x 9 1/16 1 - 20 13/16 x 5 5/16
AHVS6D51B	1 - 10 15/16 x 21	2 - 11 1/2 x 6 1/2 4 - 11 1/2 x 10 1/4 1 - 22 x 6 1/2	2 - 11 11/16 x 21 1/2	2 - 13 x 7 2 - 13 x 10 1/4 2 - 13 x 10 3/4 1 - 23 1/2 x 7	2 - 10 3/8 x 19 13/16	2 - 10 5/16 x 5 5/16 4 - 10 5/16 x 9 1/16 1 - 20 13/16 x 5 5/16
AHVS6D54B	1 - 12 7/16 x 21	2 - 11 1/2 x 6 1/2 4 - 11 1/2 x 10 1/4 1 - 25 x 6 1/2	2 - 13 3/16 x 21 1/2	2 - 13 x 7 2 - 13 x 10 1/4 2 - 13 x 10 3/4 1 - 26 1/2 x 7	2 - 11 7/8 x 19 13/16	2 - 10 5/16 x 5 5/16 4 - 10 5/16 x 9 1/16 1 - 23 13/16 x 5 5/16

Door & Drawer Front Sizes

PREFERRED
BY KARMAN

Cabinet	HALF OVERLAY		FULL OVERLAY		INSET	
	Door	Drawer Front	Door	Drawer Front	Door	Drawer Front
AHVS6D57B	1-127/16x21	2-13x6½ 4-13x10¼ 1-25x6½	2-133/16x21½	2-14½x7 2-14½x10¼ 2-14½x103/4 1-26½x7	2-117/8x1913/16	2-1113/16x55/16 4-1113/16x91/16 1-2313/16x55/16
AHVS6D60B	1-127/16x21	2-14½x6½ 4-14½x10¼ 1-25x6½	2-133/16x21½	2-16x7 2-16x10¼ 2-16x103/4 1-26½x7	2-117/8x1913/16	2-135/16x55/16 4-135/16x91/16 1-2313/16x55/16
AHVSC36B	2-1615/16x21	2-7x6½ 1-16x6½	2-1711/16x21½	2-8½x7 1-17½x7	2-163/8x1913/16	2-513/16x55/16 1-1413/16x55/16
AHVSC39B	2-187/16x21	2-8½x6½ 1-16x6½	2-193/16x21½	2-10x7 1-17½x7	2-177/8x1913/16	2-75/16x55/16 1-1413/16x55/16
AHVSC42B	2-1915/16x21	2-10x6½ 1-16x6½	2-2011/16x21½	2-11½x7 1-17½x7	2-193/8x1913/16	2-813/16x55/16 1-1413/16x55/16
AHVSC45B	2-217/16x21	2-11½x6½ 1-16x6½	2-223/16x21½	2-13x7 1-17½x7	2-207/8x1913/16	2-105/16x55/16 1-1413/16x55/16
AHVSC48B	2-2215/16x21	2-13x6½ 1-16x6½	2-2311/16x21½	2-14½x7 1-17½x7	2-223/8x1913/16	2-1113/16x55/16 1-1413/16x55/16
AHVSC51B	2-1315/16x21 2-8½x21	1-28x6½ 2-8½x6½	2-1411/16x21½ 2-10x21½	1-29½x7 2-10x7	2-133/8x1913/16 2-75/16x1913/16	1-2613/16x55/16 2-75/16x55/16
AHVSC54B	2-1315/16x21 2-10x21	1-28x6½ 2-10x6½	2-1411/16x21½ 2-11½x21½	1-29½x7 2-11½x7	2-133/8x1913/16 2-813/16x1913/16	1-2613/16x55/16 2-813/16x55/16
AHVSC57B	2-1315/16x21 2-11½x21	1-28x6½ 2-11½x6½	2-1411/16x21½ 2-13x21½	1-29½x7 2-13x7	2-117/8x1913/16 2-105/16x1913/16	1-2613/16x55/16 2-105/16x55/16
AHVSC60B	2-1315/16x21 2-13x21	1-28x6½ 2-13x6½	2-1411/16x21½ 2-14½x21½	1-29½x7 2-14½x7	2-117/8x1913/16 2-1113/16x1913/16	1-2613/16x55/16 2-1113/16x55/16
AHVSD24R-L	1-10x21	1-22x6½ 2-10x10¼	1-11½x21½	1-23½x7 1-11½x10¼ 1-11½x103/4	1-813/16x1913/16	1-2013/16x55/16 2-813/16x91/16
AHVSD27R-L	1-11½x21	1-25x6½ 2-11½x10¼	1-13x21½	1-26½x7 1-13x10¼ 1-13x103/4	1-105/16x1913/16	1-2313/16x55/16 2-105/16x91/16
AHVSD30R-L	1-13x21	1-28x6½ 2-13x10¼	1-14½x21½	1-29½x7 1-14½x10¼ 1-14½x103/4	1-1113/16x1913/16	1-2613/16x55/16 2-1113/16x91/16
AHVSD33R-L	1-14½x21	1-31x6½ 2-14½x10¼	1-16x21½	1-32½x7 1-16x10¼ 1-16x103/4	1-135/16x1913/16	1-2913/16x55/16 2-135/16x91/16
AHVSD36R-L	1-16x21	1-34x6½ 2-16x10¼	1-17½x21½	1-35½x7 1-17½x10¼ 1-17½x103/4	1-1413/16x1913/16	1-3213/16x55/16 2-1413/16x91/16
AHVSD39R-L	1-17½x21	1-37x6½ 2-17½x10¼	1-19x21½	1-38½x7 1-19x10¼ 1-19x103/4	1-165/16x1913/16	1-3513/16x55/16 2-165/16x91/16
AHVSD42R-L	1-19x21	1-40x6½ 2-19x10¼	1-20½x21½	1-41½x7 1-20½x10¼ 1-20½x103/4	1-1713/16x1913/16	1-3813/16x55/16 2-1713/16x91/16

Door & Drawer Front Sizes

Cabinet	HALF OVERLAY		FULL OVERLAY		INSET	
	Door	Drawer Front	Door	Drawer Front	Door	Drawer Front
AHVSD45R-L	1-20½ x 21	1-43 x 6½ 2-20½ x 10¼	1-19 13/16 x 21½	1-44½ x 7 1-19 13/16 x 10¼ 1-19 13/16 x 10 3/4	1-19 5/16 x 19 13/16	1-41 13/16 x 5 5/16 2-19 5/16 x 9 1/16
AHVSD48R-L	1-22 x 21	1-46 x 6½ 2-22 x 10¼	1-23½ x 21½	1-47½ x 7 1-23½ x 10¼ 1-23½ x 10 3/4	1-20 13/16 x 19 13/16	1-44 13/16 x 5 5/16 2-20 13/16 x 9 1/16
AHVU3D1584-R-L	1-13 x 48½	1-13 x 6½ 2-13 x 10¼	1-14½ x 48½	1-14½ x 7 1-14½ x 10¼ 1-14½ x 10 3/4	1-11 13/16 x 47 5/16	1-11 13/16 x 5 5/16 2-11 13/16 x 9 1/16
AHVU3D1587-R-L	1-13 x 51½	1-13 x 6½ 2-13 x 10¼	1-14½ x 51½	1-14½ x 7 1-14½ x 10¼ 1-14½ x 10 3/4	1-11 13/16 x 50 5/16	1-11 13/16 x 5 5/16 2-11 13/16 x 9 1/16
AHVU3D1590-R-L	1-13 x 54½	1-13 x 6½ 2-13 x 10¼	1-14½ x 54½	1-14½ x 7 1-14½ x 10¼ 1-14½ x 10 3/4	1-11 13/16 x 53 5/16	1-11 13/16 x 5 5/16 2-11 13/16 x 9 1/16
AHVU3D1593-R-L	1-13 x 57½	1-13 x 6½ 2-13 x 10¼	1-14½ x 57½	1-14½ x 7 1-14½ x 10¼ 1-14½ x 10 3/4	1-11 13/16 x 56 5/16	1-11 13/16 x 5 5/16 2-11 13/16 x 9 1/16
AHVU3D1596-R-L	1-13 x 60½	1-13 x 6½ 2-13 x 10¼	1-14½ x 60½	1-14½ x 7 1-14½ x 10¼ 1-14½ x 10 3/4	1-11 13/16 x 59 5/16	1-11 13/16 x 5 5/16 2-11 13/16 x 9 1/16
AHVU3D1884-R-L	1-16 x 48½	1-16 x 6½ 2-16 x 10¼	1-17½ x 48½	1-17½ x 7 1-17½ x 10¼ 1-17½ x 10 3/4	1-14 13/16 x 47 5/16	1-14 13/16 x 5 5/16 2-14 13/16 x 9 1/16
AHVU3D1887-R-L	1-16 x 51½	1-16 x 6½ 2-16 x 10¼	1-17½ x 51½	1-17½ x 7 1-17½ x 10¼ 1-17½ x 10 3/4	1-14 13/16 x 50 5/16	1-14 13/16 x 5 5/16 2-14 13/16 x 9 1/16
AHVU3D1890-R-L	1-16 x 54½	1-16 x 6½ 2-16 x 10¼	1-17½ x 54½	1-17½ x 7 1-17½ x 10¼ 1-17½ x 10 3/4	1-14 13/16 x 53 5/16	1-14 13/16 x 5 5/16 2-14 13/16 x 9 1/16
AHVU3D1893-R-L	1-16 x 57½	1-16 x 6½ 2-16 x 10¼	1-17½ x 57½	1-17½ x 7 1-17½ x 10¼ 1-17½ x 10 3/4	1-14 13/16 x 56 5/16	1-14 13/16 x 5 5/16 2-14 13/16 x 9 1/16
AHVU3D1896-R-L	1-16 x 60½	1-16 x 6½ 2-16 x 10¼	1-17½ x 60½	1-17½ x 7 1-17½ x 10¼ 1-17½ x 10 3/4	1-14 13/16 x 59 5/16	1-14 13/16 x 5 5/16 2-14 13/16 x 9 1/16
AHVU3D2184-R-L	1-19 x 48½	1-19 x 6½ 2-19 x 10¼	1-20½ x 48½	1-20½ x 7 1-20½ x 10¼ 1-20½ x 10 3/4	1-17 13/16 x 47 5/16	1-17 13/16 x 5 5/16 2-17 13/16 x 9 1/16
AHVU3D2187-R-L	1-19 x 51½	1-19 x 6½ 2-19 x 10¼	1-20½ x 51½	1-20½ x 7 1-20½ x 10¼ 1-20½ x 10 3/4	1-17 13/16 x 50 5/16	1-17 13/16 x 5 5/16 2-17 13/16 x 9 1/16
AHVU3D2190-R-L	1-19 x 54½	1-19 x 6½ 2-19 x 10¼	1-20½ x 54½	1-20½ x 7 1-20½ x 10¼ 1-20½ x 10 3/4	1-17 13/16 x 53 5/16	1-17 13/16 x 5 5/16 2-17 13/16 x 9 1/16

Door & Drawer Front Sizes

PREFERRED
BY KARMAN

Cabinet	HALF OVERLAY		FULL OVERLAY		INSET	
	Door	Drawer Front	Door	Drawer Front	Door	Drawer Front
AHVU3D2193-R-L	1-19x57½	1-19x6½ 2-19x10¼	1-20½x57 1/2	1-20½x7 1-20½x10¼ 1-20½x10 3/4	1-17 13/16x56 5/16	1-17 13/16x55/16 2-17 13/16x9 1/16
AHVU3D2196-R-L	1-19x60½	1-19x6½ 2-19x10¼	1-20½x60 1/2	1-20½x7 1-20½x10¼ 1-20½x10 3/4	1-17 13/16x59 5/16	1-17 13/16x55/16 2-17 13/16x9 1/16
AHVUB1584-R-L	1-13x48½ 1-13x21	1-13x6½	1-14½x48 1/2 1-14½x21½	1-14½x7	1-11 13/16x47 5/16 1-11 13/16x19 13/16	1-11 13/16x55/16
AHVUB1587-R-L	1-13x51½ 1-13x21	1-13x6½	1-14½x51 1/2 1-14½x21½	1-14½x7	1-11 13/16x50 5/16 1-11 13/16x19 13/16	1-11 13/16x55/16
AHVUB1590-R-L	1-13x54½ 1-13x21	1-13x6½	1-14½x54 1/2 1-14½x21½	1-14½x7	1-11 13/16x53 5/16 1-11 13/16x19 13/16	1-11 13/16x55/16
AHVUB1593-R-L	1-13x57½ 1-13x21	1-13x6½	1-14½x57 1/2 1-14½x21½	1-14½x7	1-11 13/16x56 5/16 1-11 13/16x19 13/16	1-11 13/16x55/16
AHVUB1596-R-L	1-13x60½ 1-13x21	1-13x6½	1-14½x60 1/2 1-14½x21½	1-14½x7	1-11 13/16x59 5/16 1-11 13/16x19 13/16	1-11 13/16x55/16
AHVUB1884-R-L	1-16x48½ 1-16x21	1-16x6½	1-17½x48 1/2 1-17½x21½	1-17½x7	1-14 13/16x47 5/16 1-14 13/16x19 13/16	1-14 13/16x55/16
AHVUB1887-R-L	1-16x51½ 1-16x21	1-16x6½	1-17½x51 1/2 1-17½x21½	1-17½x7	1-14 13/16x50 5/16 1-14 13/16x19 13/16	1-14 13/16x55/16
AHVUB1890-R-L	1-16x54½ 1-16x21	1-16x6½	1-17½x54 1/2 1-17½x21½	1-17½x7	1-14 13/16x53 5/16 1-14 13/16x19 13/16	1-14 13/16x55/16
AHVUB1893-R-L	1-16x57½ 1-16x21	1-16x6½	1-17½x57 1/2 1-17½x21½	1-17½x7	1-14 13/16x56 5/16 1-14 13/16x19 13/16	1-14 13/16x55/16
AHVUB1896-R-L	1-16x60½ 1-16x21	1-16x6½	1-17½x60 1/2 1-17½x21½	1-17½x7	1-14 13/16x59 5/16 1-14 13/16x19 13/16	1-14 13/16x55/16
AHVUB2184-R-L	1-19x48½ 1-19x21	1-19x6½	1-20½x48 1/2 1-20½x21½	1-20½x7	1-17 13/16x47 5/16 1-17 13/16x19 13/16	1-17 13/16x55/16
AHVUB2187-R-L	1-19x51½ 1-19x21	1-19x6½	1-20½x51 1/2 1-20½x21½	1-20½x7	1-17 13/16x50 5/16 1-17 13/16x19 13/16	1-17 13/16x55/16
AHVUB2190-R-L	1-19x54½ 1-19x21	1-19x6½	1-20½x54 1/2 1-20½x21½	1-20½x7	1-17 13/16x53 5/16 1-17 13/16x19 13/16	1-17 13/16x55/16
AHVUB2193-R-L	1-19x57½ 1-19x21	1-19x6½	1-20½x57 1/2 1-20½x21½	1-20½x7	1-17 13/16x56 5/16 1-17 13/16x19 13/16	1-17 13/16x55/16
AHVUB2196-R-L	1-19x60½ 1-19x21	1-19x6½	1-20½x60 1/2 1-20½x21½	1-20½x7	1-17 13/16x59 5/16 1-17 13/16x19 13/16	1-17 13/16x55/16
AHVUF1584-R-L	1-13x48½ 1-13x28		1-14½x48 1/2 1-14½x29		1-11 13/16x47 5/16 1-11 13/16x26 13/16	
AHVUF1587-R-L	1-13x51½ 1-13x28		1-14½x51 1/2 1-14½x29		1-11 13/16x50 5/16 1-11 13/16x26 13/16	
AHVUF1590-R-L	1-13x54½ 1-13x28		1-14½x54 1/2 1-14½x29		1-11 13/16x53 5/16 1-11 13/16x26 13/16	
AHVUF1593-R-L	1-13x57½ 1-13x28		1-14½x57 1/2 1-14½x29		1-11 13/16x56 5/16 1-11 13/16x26 13/16	
AHVUF1596-R-L	1-13x60½ 1-13x28		1-14½x60 1/2 1-14½x29		1-11 13/16x59 5/16 1-11 13/16x26 13/16	

Door & Drawer Front Sizes

Cabinet	HALF OVERLAY		FULL OVERLAY		INSET	
	Door	Drawer Front	Door	Drawer Front	Door	Drawer Front
AHVUF1884-R-L	1-16 x 48½ 1-16 x 28		1-17½ x 48 1/2 1-17½ x 29		1-14 13/16 x 47 5/16 1-14 13/16 x 26 13/16	
AHVUF1887-R-L	1-16 x 51½ 1-16 x 28		1-17½ x 51 1/2 1-17½ x 29		1-14 13/16 x 50 5/16 1-14 13/16 x 26 13/16	
AHVUF1890-R-L	1-16 x 54½ 1-16 x 28		1-17½ x 54 1/2 1-17½ x 29		1-14 13/16 x 53 5/16 1-14 13/16 x 26 13/16	
AHVUF1893-R-L	1-16 x 57½ 1-16 x 28		1-17½ x 57 1/2 1-17½ x 29		1-14 13/16 x 56 5/16 1-14 13/16 x 26 13/16	
AHVUF1896-R-L	1-16 x 60½ 1-16 x 28		1-17½ x 60 1/2 1-17½ x 29		1-14 13/16 x 59 5/16 1-14 13/16 x 26 13/16	
AHVUF2184-R-L	1-19 x 48½ 1-19 x 28		1-20½ x 48 1/2 1-20½ x 29		1-17 13/16 x 47 5/16 1-17 13/16 x 26 13/16	
AHVUF2187-R-L	1-19 x 51½ 1-19 x 28		1-20½ x 51 1/2 1-20½ x 29		1-17 13/16 x 50 5/16 1-17 13/16 x 26 13/16	
AHVUF2190-R-L	1-19 x 54½ 1-19 x 28		1-20½ x 54 1/2 1-20½ x 29		1-17 13/16 x 53 5/16 1-17 13/16 x 26 13/16	
AHVUF2193-R-L	1-19 x 57½ 1-19 x 28		1-20½ x 57 1/2 1-20½ x 29		1-17 13/16 x 56 5/16 1-17 13/16 x 26 13/16	
AHVUF2196-R-L	1-19 x 60½ 1-19 x 28		1-20½ x 60 1/2 1-20½ x 29		1-17 13/16 x 59 5/16 1-17 13/16 x 26 13/16	
B09R-L	1-7 x 21	1-7 x 6½	1-8½ x 21½	1-8½ x 7	1-5 13/16 x 19 13/16	1-5 13/16 x 5 5/16
B12R-L	1-10 x 21	1-10 x 6½	1-11½ x 21½	1-11½ x 7	1-8 13/16 x 19 13/16	1-8 13/16 x 5 5/16
B15R-L	1-13 x 21	1-13 x 6½	1-14½ x 21½	1-14½ x 7	1-11 13/16 x 19 13/16	1-11 13/16 x 5 5/16
B18R-L	1-16 x 21	1-16 x 6½	1-17½ x 21½	1-17½ x 7	1-14 13/16 x 19 13/16	1-14 13/16 x 5 5/16
B21R-L	1-19 x 21	1-19 x 6½	1-20½ x 21½	1-20½ x 7	1-17 13/16 x 19 13/16	1-17 13/16 x 5 5/16
B24R-L	1-22 x 21	1-22 x 6½	1-23½ x 21½	1-23½ x 7	1-20 13/16 x 19 13/16	1-20 13/16 x 5 5/16
B24B	2-10 15/16 x 21	1-22 x 6½	2-11 11/16 x 21½	1-23½ x 7	2-10 3/8 x 19 13/16	1-20 13/16 x 5 5/16
B27B	2-12 7/16 x 21	1-25 x 6½	2-13 3/16 x 21½	1-26½ x 7	2-11 7/8 x 19 13/16	1-23 13/16 x 5 5/16
B30B	2-13 15/16 x 21	1-28 x 6½	2-14 11/16 x 21½	1-29½ x 7	2-13 3/8 x 19 13/16	1-26 13/16 x 5 5/16
B33B	2-15 7/16 x 21	1-31 x 6½	2-16 3/16 x 21½	1-32½ x 7	2-14 7/8 x 19 13/16	1-29 13/16 x 5 5/16
B36B	2-16 15/16 x 21	1-34 x 6½	2-17 11/16 x 21½	1-35½ x 7	2-16 3/8 x 19 13/16	1-32 13/16 x 5 5/16
B39B	2-18 7/16 x 21	1-37 x 6½	2-19 3/16 x 21½	1-38½ x 7	2-17 7/8 x 19 13/16	1-35 13/16 x 5 5/16
B42B	2-19 15/16 x 21	1-40 x 6½	2-20 11/16 x 21½	1-41½ x 7	2-19 3/8 x 19 13/16	1-38 13/16 x 5 5/16
B45B	2-21 7/16 x 21	1-43 x 6½	2-22 3/16 x 21½	1-44½ x 7	2-20 7/8 x 19 13/16	1-41 13/16 x 5 5/16
B48B	2-22 15/16 x 21	1-46 x 6½	2-23 11/16 x 21½	1-47½ x 7	2-22 3/8 x 19 13/16	1-44 13/16 x 5 5/16
B24B-02	2-10 15/16 x 21	2-10 15/16 x 6½	2-11 11/16 x 21½	2-11 11/16 x 7	2-10 3/8 x 19 13/16	2-8 13/16 x 5 5/16
B27B-02	2-12 7/16 x 21	2-12 7/16 x 6½	2-13 3/16 x 21½	2-13 3/16 x 7	2-11 7/8 x 19 13/16	2-10 5/16 x 5 5/16
B30B-02	2-13 15/16 x 21	2-13 15/16 x 6½	2-14 11/16 x 21½	2-14 11/16 x 7	2-13 3/8 x 19 13/16	2-11 13/16 x 5 5/16
B33B-02	2-15 7/16 x 21	2-15 7/16 x 6½	2-16 3/16 x 21½	2-16 3/16 x 7	2-14 7/8 x 19 13/16	2-13 5/16 x 5 5/16
B36B-02	2-16 15/16 x 21	2-16 15/16 x 6½	2-17 11/16 x 21½	2-17 11/16 x 7	2-16 3/8 x 19 13/16	2-14 13/16 x 5 5/16
B39B-02	2-18 7/16 x 21	2-18 7/16 x 6½	2-19 3/16 x 21½	2-19 3/16 x 7	2-17 7/8 x 19 13/16	2-16 5/16 x 5 5/16
B42B-02	2-19 15/16 x 21	2-19 15/16 x 6½	2-20 11/16 x 21½	2-20 11/16 x 7	2-19 3/8 x 19 13/16	2-17 13/16 x 5 5/16
B45B-02	2-21 7/16 x 21	2-21 7/16 x 6½	2-22 3/16 x 21½	2-22 3/16 x 7	2-20 7/8 x 19 13/16	2-19 5/16 x 5 5/16
B48B-02	2-22 15/16 x 21	2-22 15/16 x 6½	2-23 11/16 x 21½	2-23 11/16 x 7	2-22 3/8 x 19 13/16	2-20 13/16 x 5 5/16
B09R-L FHD	1-7 x 28		1-8½ x 29		1-5 13/16 x 26 13/16	
B12R-L FHD	1-10 x 28		1-11½ x 29		1-8 13/16 x 26 13/16	
B15R-L FHD	1-13 x 28		1-14½ x 29		1-11 13/16 x 26 13/16	

Door & Drawer Front Sizes

PREFERRED
BY KARMAN

Cabinet	HALF OVERLAY		FULL OVERLAY		INSET	
	Door	Drawer Front	Door	Drawer Front	Door	Drawer Front
B18 R-L FHD	1-16 x 28		1-17½ x 29		1-14 13/16 x 26 13/16	
B21 R-L FHD	1-19 x 28		1-20½ x 29		1-17 13/16 x 26 13/16	
B24 R-L FHD	1-22 x 28		1-23½ x 29		1-20 13/16 x 26 13/16	
B24B FHD	2-10 15/16 x 28		2-11 11/16 x 29		2-10 3/8 x 26 13/16	
B27B FHD	2-12 7/16 x 28		2-13 3/16 x 29		2-11 7/8 x 26 13/16	
B30B FHD	2-13 15/16 x 28		2-14 11/16 x 29		2-13 3/8 x 26 13/16	
B33B FHD	2-15 7/16 x 28		2-16 3/16 x 29		2-14 7/8 x 26 13/16	
B36B FHD	2-16 15/16 x 28		2-17 11/16 x 29		2-16 3/8 x 26 13/16	
B39B FHD	2-18 7/16 x 28		2-19 3/16 x 29		2-17 7/8 x 26 13/16	
B42B FHD	2-19 15/16 x 28		2-20 11/16 x 29		2-19 3/8 x 26 13/16	
B45B FHD	2-21 7/16 x 28		2-22 3/16 x 29		2-20 7/8 x 26 13/16	
B48B FHD	2-22 15/16 x 28		2-23 11/16 x 29		2-22 3/8 x 26 13/16	
B09-12 R-L FHD	1-7 x 28		1-8½ x 29		1-5 13/16 x 26 13/16	
B12-12 R-L FHD	1-10 x 28		1-11½ x 29		1-8 13/16 x 26 13/16	
B15-12 R-L FHD	1-13 x 28		1-14½ x 29		1-11 13/16 x 26 13/16	
B18-12 R-L FHD	1-16 x 28		1-17½ x 29		1-14 13/16 x 26 13/16	
B21-12 R-L FHD	1-19 x 28		1-20½ x 29		1-18 13/16 x 26 13/16	
B24-12 R-L FHD	1-22 x 28		1-23½ x 29		1-20 13/16 x 26 13/16	
B24-12 B FHD	2-10 15/16 x 28		2-11 13/16 x 29		2-10 3/8 x 26 13/16	
B27-12 B FHD	2-12 7/16 x 28		2-13 3/16 x 29		2-11 7/8 x 26 13/16	
B30-12 B FHD	2-13 15/16 x 28		2-14 13/16 x 29		2-13 3/8 x 26 13/16	
B33-12 B FHD	2-15 7/16 x 28		2-16 3/16 x 29		2-14 7/8 x 26 13/16	
B36-12 B FHD	2-16 15/16 x 28		2-17 13/16 x 29		2-16 3/8 x 26 13/16	
B39-12 B FHD	2-18 7/16 x 28		2-19 3/16 x 29		2-17 7/8 x 26 13/16	
B42-12 B FHD	2-19 15/16 x 28		2-20 13/16 x 29		2-19 3/8 x 26 13/16	
B45-12 B FHD	2-21 7/16 x 28		2-22 3/16 x 29		2-20 7/8 x 26 13/16	
B48-12 B FHD	2-22 15/16 x 28		2-23 13/16 x 29		2-22 3/8 x 26 13/16	
B12 R-L 2RT	1-10 x 21	1-10 x 6½	1-11½ x 21½	1-11½ x 7	1-8 13/16 x 19 13/16	1-8 13/16 x 5 5/16
B15 R-L 2RT	1-13 x 21	1-13 x 6½	1-14½ x 21½	1-14½ x 7	1-11 13/16 x 19 13/16	1-11 13/16 x 5 5/16
B18 R-L 2RT	1-16 x 21	1-16 x 6½	1-17½ x 21½	1-17½ x 7	1-14 13/16 x 19 13/16	1-14 13/16 x 5 5/16
B21 R-L 2RT	1-19 x 21	1-19 x 6½	1-20½ x 21½	1-20½ x 7	1-17 13/16 x 19 13/16	1-17 13/16 x 5 5/16
B24 R-L 2RT	1-22 x 21	1-22 x 6½	1-23½ x 21½	1-23½ x 7	1-20 13/16 x 19 13/16	1-20 13/16 x 5 5/16
B24B 2RT	2-10 15/16 x 21	1-22 x 6½	2-11 13/16 x 21½	1-23½ x 7	2-10 3/8 x 19 13/16	1-20 13/16 x 5 5/16
B27B 2RT	2-12 7/16 x 21	1-25 x 6½	2-13 3/16 x 21½	1-26½ x 7	2-11 7/8 x 19 13/16	1-23 13/16 x 5 5/16
B30B 2RT	2-13 15/16 x 21	1-28 x 6½	2-14 11/16 x 21½	1-29½ x 7	2-13 3/8 x 19 13/16	1-26 13/16 x 5 5/16
B33B 2RT	2-15 7/16 x 21	1-31 x 6½	2-16 3/16 x 21½	1-32½ x 7	2-14 7/8 x 19 13/16	1-29 13/16 x 5 5/16
B36B 2RT	2-16 15/16 x 21	1-34 x 6½	2-17 11/16 x 21½	1-35½ x 7	2-16 3/8 x 19 13/16	1-32 13/16 x 5 5/16
B39B 2RT	2-18 7/16 x 21	1-37 x 6½	2-19 3/16 x 21½	1-38½ x 7	2-17 7/8 x 19 13/16	1-35 13/16 x 5 5/16
B42B 2RT	2-19 15/16 x 21	1-40 x 6½	2-20 11/16 x 21½	1-41½ x 7	2-19 3/8 x 19 13/16	1-38 13/16 x 5 5/16
B45B 2RT	2-21 7/16 x 21	1-43 x 6½	2-22 3/16 x 21½	1-44½ x 7	2-20 7/8 x 19 13/16	1-41 13/16 x 5 5/16
B48B 2RT	2-22 15/16 x 21	1-46 x 6½	2-23 11/16 x 21½	1-47½ x 7	2-22 3/8 x 19 13/16	1-44 13/16 x 5 5/16
B30B 4RT	2-13 15/16 x 21	1-28 x 6½	2-14 13/16 x 21½	1-29½ x 7	2-11 13/16 x 19 13/16	1-26 13/16 x 5 5/16
B33B 4RT	2-15 7/16 x 21	1-31 x 6½	2-16 3/16 x 21½	1-32½ x 7	2-13 5/16 x 19 13/16	1-29 13/16 x 5 5/16
B36B 4RT	2-16 15/16 x 21	1-34 x 6½	2-17 13/16 x 21½	1-35½ x 7	2-14 13/16 x 19 13/16	1-32 13/16 x 5 5/16
B39B 4RT	2-18 7/16 x 21	1-37 x 6½	2-19 3/16 x 21½	1-38½ x 7	2-16 5/16 x 19 13/16	1-35 13/16 x 5 5/16
B42B 4RT	2-19 15/16 x 21	1-40 x 6½	2-20 13/16 x 21½	1-41½ x 7	2-17 13/16 x 19 13/16	1-38 13/16 x 5 5/16
B45B 4RT	2-21 7/16 x 21	1-43 x 6½	2-22 3/16 x 21½	1-44½ x 7	2-19 5/16 x 19 13/16	1-41 13/16 x 5 5/16

Door & Drawer Front Sizes

Cabinet	HALF OVERLAY		FULL OVERLAY		INSET	
	Door	Drawer Front	Door	Drawer Front	Door	Drawer Front
B48B4RT	2 - 22 15/16 x 21	1 - 46 x 6½	2 - 23 13/16 x 21½	1 - 47½ x 7	2 - 20 13/16 x 19 13/16	1 - 44 13/16 x 5 5/16
B24BAE12R-L	1 - 14 3/4 x 28 1 - 10 x 21	1 - 10 x 6½	1 - 14 3/4 x 29 1 - 11½ x 21½	1 - 11½ x 7	1 - 13 5/16 x 26 13/16 1 - 8 13/16 x 19 13/16	1 - 8 13/16 x 5 5/16
B27BAE12R-L	1 - 14 3/4 x 28 1 - 13 x 21	1 - 13 x 6½	1 - 14 3/4 x 29 1 - 14 3/4 x 21½	1 - 14 3/4 x 7	1 - 13 5/16 x 26 13/16 1 - 11 13/16 x 19 13/16	1 - 11 13/16 x 5 5/16
B30BAE12R-L	1 - 14 3/4 x 28 1 - 16 x 21	1 - 16 x 6½	1 - 14 3/4 x 29 1 - 17½ x 21½	1 - 17½ x 7	1 - 13 5/16 x 26 13/16 1 - 14 13/16 x 19 13/16	1 - 14 13/16 x 5 5/16
B33BAE12R-L	1 - 14 3/4 x 28 1 - 19 x 21	1 - 19 x 6½	1 - 14 3/4 x 29 1 - 21½ x 21½	1 - 21½ x 7	1 - 13 5/16 x 26 13/16 1 - 17 13/16 x 19 13/16	1 - 17 13/16 x 5 5/16
B36BAE12R-L	1 - 14 3/4 x 28 1 - 22 x 21	1 - 22 x 6½	1 - 14 3/4 x 29 1 - 23½ x 21½	1 - 23½ x 7	1 - 13 5/16 x 26 13/16 1 - 20 13/16 x 19 13/16	1 - 20 13/16 x 5 5/16
B36BAE12BR-L	1 - 14 3/4 x 28 2 - 10 15/16 x 21	1 - 22 x 6½	1 - 14 3/4 x 29 2 - 11 11/16 x 21½	1 - 23½ x 7	1 - 13 5/16 x 26 13/16 2 - 10 3/8 x 19 13/16	1 - 20 13/16 x 5 5/16
B39BAE12BR-L	1 - 14 3/4 x 28 2 - 12 7/16 x 21	1 - 25½ x 6½	1 - 14 3/4 x 29 2 - 13 3/16 x 21½	1 - 26½ x 7	1 - 13 5/16 x 26 13/16 2 - 11 7/8 x 19 13/16	1 - 23 13/16 x 5 5/16
B42BAE12BR-L	1 - 14 3/4 x 28 2 - 13 15/16 x 21	1 - 28 x 6½	1 - 14 3/4 x 29 2 - 14 11/16 x 21½	1 - 29½ x 7	1 - 13 5/16 x 26 13/16 2 - 13 3/8 x 19 13/16	1 - 26 13/16 x 5 5/16
B45BAE12BR-L	1 - 14 3/4 x 28 2 - 15 7/16 x 21	1 - 31 x 6½	1 - 14 3/4 x 29 2 - 16 3/16 x 21½	1 - 32½ x 7	1 - 13 5/16 x 26 13/16 2 - 14 7/8 x 19 13/16	1 - 29 13/16 x 5 5/16
B48BAE12BR-L	1 - 14 3/4 x 28 2 - 16 15/16 x 21	1 - 34 x 6½	1 - 14 3/4 x 29 2 - 17 11/16 x 21½	1 - 35½ x 7	1 - 13 5/16 x 26 13/16 2 - 16 3/8 x 19 13/16	1 - 32 13/16 x 5 5/16
B24BAE12FR-L	1 - 10 x 28 1 - 15 x 28 1 - 10 x 21	1 - 10 x 6½	1 - 11½ x 29 1 - 16½ x 29 1 - 11½ x 21½	1 - 11½ x 7	1 - 8 13/16 x 26 13/16 1 - 13 13/16 x 26 13/16 1 - 8 13/16 x 19 13/16	1 - 8 13/16 x 5 5/16
B27BAE12FR-L	1 - 10 x 28 1 - 15 x 28 1 - 13 x 21	1 - 13 x 6½	1 - 11½ x 29 1 - 16½ x 29 1 - 14½ x 21½	1 - 14½ x 7	1 - 8 13/16 x 26 13/16 1 - 13 13/16 x 26 13/16 1 - 11 13/16 x 19 13/16	1 - 11 13/16 x 5 5/16
B30BAE12FR-L	1 - 10 x 28 1 - 15 x 28 1 - 16 x 21	1 - 16 x 6½	1 - 11½ x 29 1 - 16½ x 29 1 - 17½ x 21½	1 - 17½ x 7	1 - 8 13/16 x 26 13/16 1 - 13 13/16 x 26 13/16 1 - 14 13/16 x 19 13/16	1 - 14 13/16 x 5 5/16
B33BAE12FR-L	1 - 10 x 28 1 - 15 x 28 1 - 19 x 21	1 - 19 x 6½	1 - 11½ x 29 1 - 16½ x 29 1 - 20½ x 21½	1 - 20½ x 7	1 - 8 13/16 x 26 13/16 1 - 13 13/16 x 26 13/16 1 - 17 13/16 x 19 13/16	1 - 17 13/16 x 5 5/16
B36BAE12FR-L	1 - 10 x 28 1 - 15 x 28 1 - 22 x 21	1 - 22 x 6½	1 - 11½ x 29 1 - 16½ x 29 1 - 23½ x 21½	1 - 23½ x 7	1 - 8 13/16 x 26 13/16 1 - 13 13/16 x 26 13/16 1 - 20 13/16 x 19 13/16	1 - 20 13/16 x 5 5/16
B36BAE12FBR-L	1 - 10 x 28 1 - 15 x 28 2 - 10 15/16 x 21	1 - 22 x 6½	1 - 11½ x 29 1 - 16½ x 29 2 - 11 11/16 x 21½	1 - 23½ x 7	1 - 8 13/16 x 26 13/16 1 - 13 13/16 x 26 13/16 2 - 10 3/8 x 19 13/16	1 - 20 13/16 x 5 5/16
B39BAE12FBR-L	1 - 10 x 28 1 - 15 x 28 2 - 12 7/16 x 21	1 - 25½ x 6½	1 - 11½ x 29 1 - 16½ x 29 2 - 13 3/16 x 21½	1 - 26½ x 7	1 - 8 13/16 x 26 13/16 1 - 13 13/16 x 26 13/16 2 - 11 7/8 x 19 13/16	1 - 23 13/16 x 5 5/16
B42BAE12FBR-L	1 - 10 x 28 1 - 15 x 28 2 - 13 15/16 x 21	1 - 28 x 6½	1 - 11½ x 29 1 - 16½ x 29 2 - 14 11/16 x 21½	1 - 29½ x 7	1 - 8 13/16 x 26 13/16 1 - 13 13/16 x 26 13/16 2 - 13 3/8 x 19 13/16	1 - 26 13/16 x 5 5/16

Door & Drawer Front Sizes

PREFERRED
BY KARMAN

Cabinet	HALF OVERLAY		FULL OVERLAY		INSET	
	Door	Drawer Front	Door	Drawer Front	Door	Drawer Front
B45BAE12F BR-L	1-10x28 1-15x28 2-15 7/16 x 21	1-31x6½	1-11½x29 1-16½x29 2-16 3/16 x 21½	1-32½x7	1-8 13/16 x 26 13/16 1-13 13/16 x 26 13/16 2-14 7/8 x 19 13/16	1-29 13/16 x 5 5/16
B48BAE12F BR-L	1-10x28 1-15x28 2-16 15/16 x 21	1-34x6½	1-11½x29 1-16½x29 2-17 11/16 x 21½	1-35½x7	1-8 13/16 x 26 13/16 1-13 13/16 x 26 13/16 2-16 3/8 x 19 13/16	1-32 13/16 x 5 5/16
B15BBR-L	1-13x21	1-13x5	1-14½x21½	1-14½x5	1-11 13/16 x 19 13/16	1-11 13/16 x 5 5/16
B18BBR-L	1-16x21	1-16x5	1-17½x21½	1-17½x5	1-14 13/16 x 19 13/16	1-14 13/16 x 5 5/16
B21BBR-L	1-19x21	1-19x5	1-20½x21½	1-20½x5	1-17 13/16 x 19 13/16	1-17 13/16 x 5 5/16
B24BBR-L	1-22x21	1-22x5	1-23½x21½	1-23½x5	1-20 13/16 x 19 13/16	1-20 13/16 x 5 5/16
B24BBB	2-10 15/16 x 21	1-22x5	2-11 11/16 x 21½	1-23½x5	2-10 3/8 x 19 13/16	1-20 13/16 x 5 5/16
B36BEC24 R-L	2-16½x28 1-10x21	1-10x6½	2-18x29 1-11½x21½	1-11½x7	2-15 3/16 x 26 13/16 1-8 13/16 x 19 13/16	1-8 13/16 x 5 5/16
B39BEC24 R-L	2-16½x28 1-13x21	1-13x6½	2-18x29 1-14½x21½	1-14½x7	2-15 3/16 x 26 13/16 1-11 13/16 x 19 13/16	1-11 13/16 x 5 5/16
B42BEC24 R-L	2-16½x28 1-16x21	1-16x6½	2-18x29 1-17½x21½	1-17½x7	2-15 3/16 x 26 13/16 1-14 13/16 x 19 13/16	1-14 13/16 x 5 5/16
B45BEC24 R-L	2-16½x28 1-19x21	1-19x6½	2-18x29 1-20½x21½	1-20½x7	2-15 3/16 x 26 13/16 1-17 13/16 x 19 13/16	1-17 13/16 x 5 5/16
B48BEC24 R-L	2-16½x28 1-22x21	1-22x6½	2-18x29 1-23½x21½	1-23½x7	2-15 3/16 x 26 13/16 1-20 13/16 x 19 13/16	1-20 13/16 x 5 5/16
B48BEC24 BR-L	2-16½x28 2-10 15/16 x 21	1-22x6½	2-18x29 2-11 11/16 x 21½	1-23½x7	2-15 3/16 x 26 13/16 2-10 3/8 x 19 13/16	1-20 13/16 x 5 5/16
B36BED24 R-L	2-15 11/16 x 28 1-10x21	1-10x6½	2-16 3/8 x 29 1-11½x21½	1-11½x7	2-15 1/8 x 26 13/16 1-8 13/16 x 19 13/16	1-8 13/16 x 5 5/16
B39BED24 R-L	2-15 11/16 x 28 1-13x21	1-13x6½	2-16 3/8 x 29 1-14½x21½	1-14½x7	2-15 1/8 x 26 13/16 1-11 13/16 x 19 13/16	1-11 13/16 x 5 5/16
B42BED24 R-L	2-15 11/16 x 28 1-16x21	1-16x6½	2-16 3/8 x 29 1-17½x21½	1-17½x7	2-15 1/8 x 26 13/16 1-14 13/16 x 19 13/16	1-14 13/16 x 5 5/16
B45BED24 R-L	2-15 11/16 x 28 1-19x21	1-19x6½	2-16 3/8 x 29 1-20½x21½	1-20½x7	2-15 1/8 x 26 13/16 1-17 13/16 x 19 13/16	1-17 13/16 x 5 5/16
B48BED24 R-L	2-15 11/16 x 28 1-22x21	1-22x6½	2-16 3/8 x 29 1-23½x21½	1-23½x7	2-15 1/8 x 26 13/16 1-20 13/16 x 19 13/16	1-20 13/16 x 5 5/16
B48BED24 BR-L	2-15 11/16 x 28 2-10 15/16 x 21	1-22x6½	2-16 3/8 x 29 2-11 11/16 x 21½	1-23½x7	2-15 1/8 x 26 13/16 2-10 3/8 x 19 13/16	1-20 13/16 x 5 5/16
B2D15		2-13x13 3/4		2-14½x14¼		2-11 13/16 x 12 9/16
B2D18		2-16x13 3/4		2-17½x14¼		2-14 13/16 x 12 9/16
B2D21		2-19x13 3/4		2-20½x14¼		2-17 13/16 x 12 9/16
B2D24		2-22x13 3/4		2-23½x14¼		2-20 13/16 x 12 9/16
B2D27		2-25x13 3/4		2-26½x14¼		2-23 13/16 x 12 9/16
B2D30		2-28x13 3/4		2-29½x14¼		2-26 13/16 x 12 9/16
B2D33		2-31x13 3/4		2-32½x14¼		2-29 13/16 x 12 9/16
B2D36		2-34x13 3/4		2-35½x14¼		2-32 13/16 x 12 9/16
B2D2S24		2-10x6½ 2-22x10¼		2-11½x7 1-23½x10¼ 1-23½x10 3/4		2-8 13/16 x 5 5/16 2-20 13/16 x 9 1/16

Door & Drawer Front Sizes

Cabinet	HALF OVERLAY		FULL OVERLAY		INSET	
	Door	Drawer Front	Door	Drawer Front	Door	Drawer Front
B2D2S27		2-11½x6½ 2-25x10¼		2-13x7 1-26½x10¼ 1-26½x10¾		2-105/16x55/16 2-2313/16x91/16
B2D2S30		2-13x6½ 2-28x10¼		2-14½x7 1-29½x10¼ 1-29½x10¾		2-1113/16x55/16 2-2613/16x91/16
B2D2S33		2-14½x6½ 2-31x10¼		2-16x7 1-32½x10¼ 1-32½x10¾		2-135/16x55/16 2-2913/16x91/16
B2D2S36		2-16x6½ 2-34x10¼		2-17½x7 1-35½x10¼ 1-35½x10¾		2-1413/16x55/16 2-3213/16x91/16
B2DT12R-L	1-10x14	2-10x6½	1-11½x14½	1-11½x7 1-11½x6½	1-813/16x1213/16	2-813/16x55/16
B2DT15R-L	1-13x14	2-13x6½	1-14½x14½	1-14½x7 1-14½x6½	1-1113/16x1213/16	2-1113/16x55/16
B2DT18R-L	1-16x14	2-16x6½	1-17½x14½	1-17½x7 1-17½x6½	1-1413/16x1213/16	2-1413/16x55/16
B2DT21R-L	1-19x14	2-19x6½	1-20½x14½	1-20½x7 1-20½x6½	1-1713/16x1213/16	2-1713/16x55/16
B2DT24R-L	1-22x14	2-22x6½	1-23½x14½	1-23½x7 1-23½x6½	1-2013/16x1213/16	2-2013/16x55/16
B2DT24B	2-1015/16x14	2-22x6½	2-1111/16x14½	1-23½x7 1-23½x6½	2-103/8x1213/16	2-2013/16x55/16
B2DT27B	2-127/16x14	2-25x6½	2-133/16x14½	1-26½x7 1-26½x6½	2-117/8x1213/16	2-2313/16x55/16
B2DT30B	2-1315/16x14	2-28x6½	2-1411/16x14½	1-29½x7 1-29½x6½	2-133/8x1213/16	2-2613/16x55/16
B2DT33B	2-157/16x14	2-31x6½	2-163/16x14½	1-32½x7 1-32½x6½	2-147/8x1213/16	2-2913/16x55/16
B2DT36B	2-1615/16x14	2-34x6½	2-1711/16x14½	1-35½x7 1-35½x6½	2-163/8x1213/16	2-3213/16x55/16
B3D12		1-10x6½ 2-10x10¼		1-11½x7 1-11½x10¼ 1-11½x10¾		1-813/16x55/16 2-813/16x91/16
B3D15		1-13x6½ 2-13x10¼		1-14½x7 1-14½x10¼ 1-14½x10¾		1-1113/16x55/16 2-1113/16x91/16
B3D18		1-16x6½ 2-16x10¼		1-17½x7 1-17½x10¼ 1-17½x10¾		1-1413/16x55/16 2-1413/16x91/16
B3D21		1-19x6½ 2-19x10¼		1-20½x7 1-20½x10¼ 1-20½x10¾		1-1713/16x55/16 2-1713/16x91/16

Door & Drawer Front Sizes

PREFERRED
BY KARMAN

Cabinet	HALF OVERLAY		FULL OVERLAY		INSET	
	Door	Drawer Front	Door	Drawer Front	Door	Drawer Front
B3D24		1-22 x 6½		1-23½ x 7		1-20 13/16 x 5 5/16
		2-22 x 10¼		1-23½ x 10¼		2-20 13/16 x 9 1/16
				1-23½ x 10 3/4		
B3D27		1-25 x 6½		1-26½ x 7		1-23 13/16 x 5 5/16
		2-25 x 10¼		1-26½ x 10¼		2-23 13/16 x 9 1/16
				1-26½ x 10 3/4		
B3D30		1-28 x 6½		1-29½ x 7		1-26 13/16 x 5 5/16
		2-28 x 10¼		1-29½ x 10¼		2-26 13/16 x 9 1/16
				1-29½ x 10 3/4		
B3D33		1-31 x 6½		1-32½ x 7		1-29 13/16 x 5 5/16
		2-31 x 10¼		1-32½ x 10¼		2-29 13/16 x 9 1/16
				1-32½ x 10 3/4		
B3D36		1-34 x 6½		1-35½ x 7		1-32 13/16 x 5 5/16
		2-34 x 10¼		1-35½ x 10¼		2-32 13/16 x 9 1/16
				1-35½ x 10 3/4		
B3D12BB		1-10 x 5		1-11½ x 5		1-8 13/16 x 4 5/16
		2-10 x 10¼		1-11½ x 10¼		2-8 13/16 x 9 1/16
				1-11½ x 10 3/4		
B3D15BB		1-13 x 5		1-14½ x 5		1-11 13/16 x 4 5/16
		2-13 x 10¼		1-14½ x 10¼		2-11 13/16 x 9 1/16
				1-14½ x 10 3/4		
B3D18BB		1-16 x 5		1-17½ x 5		1-14 13/16 x 4 5/16
		2-16 x 10¼		1-17½ x 10¼		2-14 13/16 x 9 1/16
				1-17½ x 10 3/4		
B3D21BB		1-19 x 5		1-20½ x 5		1-17 13/16 x 4 5/16
		2-19 x 10¼		1-20½ x 10¼		2-17 13/16 x 9 1/16
				1-20½ x 10 3/4		
B3D24BB		1-22 x 5		1-23½ x 5		1-20 13/16 x 4 5/16
		2-22 x 10¼		1-23½ x 10¼		2-20 13/16 x 9 1/16
				1-23½ x 10 3/4		
B3DR15		1-13 x 13½		1-14½ x 14		1-11 13/16 x 12 5/16
		1-13 x 6½		1-14½ x 6½		1-11 13/16 x 5 5/16
		1-13 x 7		1-14½ x 7½		1-11 13/16 x 5 13/16
B3DR18		1-16 x 13½		1-17½ x 14		1-14 13/16 x 12 5/16
		1-16 x 6½		1-17½ x 6½		1-14 13/16 x 5 5/16
		1-16 x 7		1-17½ x 7½		1-14 13/16 x 5 13/16
B3DR21		1-19 x 13½		1-20½ x 14		1-17 13/16 x 12 5/16
		1-19 x 6½		1-20½ x 6½		1-17 13/16 x 5 5/16
		1-19 x 7		1-20½ x 7½		1-17 13/16 x 5 13/16
B3DR24		1-22 x 13½		1-23½ x 14		1-20 13/16 x 12 5/16
		1-22 x 6½		1-23½ x 6½		1-20 13/16 x 5 5/16
		1-22 x 7		1-23½ x 7½		1-20 13/16 x 5 13/16
B3DR27		1-25 x 13½		1-26½ x 14		1-23 13/16 x 12 5/16
		1-25 x 6½		1-26½ x 6½		1-23 13/16 x 5 5/16
		1-25 x 7		1-26½ x 7½		1-23 13/16 x 5 13/16

Door & Drawer Front Sizes

Cabinet	HALF OVERLAY		FULL OVERLAY		INSET	
	Door	Drawer Front	Door	Drawer Front	Door	Drawer Front
B3DR30		1-28 x 13½		1-29½ x 14		1-26 13/16 x 12 5/16
		1-28 x 6½		1-29½ x 6½		1-26 13/16 x 5 5/16
		1-28 x 7		1-29½ x 7½		1-26 13/16 x 5 13/16
B3DR33		1-31 x 13½		1-32½ x 14		1-29 13/16 x 12 5/16
		1-31 x 6½		1-32½ x 6½		1-29 13/16 x 5 5/16
		1-31 x 7		1-32½ x 7½		1-29 13/16 x 5 13/16
B3DR36		1-34 x 13½		1-35½ x 14		1-32 13/16 x 12 5/16
		1-34 x 6½		1-35½ x 6½		1-32 13/16 x 5 5/16
		1-34 x 7		1-35½ x 7½		1-32 13/16 x 5 13/16
B4D12		3-10 x 6½		1-11½ x 7		3-8 13/16 x 5 5/16
		1-10 x 7		2-11½ x 6½		1-8 13/16 x 5 13/16
				1-11½ x 7½		
B4D15		3-13 x 6½		1-14½ x 7		3-11 13/16 x 5 5/16
		1-13 x 7		2-14½ x 6½		1-11 13/16 x 5 13/16
				1-14½ x 7½		
B4D18		3-16 x 6½		1-17½ x 7		3-14 13/16 x 5 5/16
		1-16 x 7		2-17½ x 6½		1-14 13/16 x 5 13/16
				1-17½ x 7½		
B4D21		3-19 x 6½		1-20½ x 7		3-17 13/16 x 5 5/16
		1-19 x 7		2-20½ x 6½		1-17 13/16 x 5 13/16
				1-20½ x 7½		
B4D24		3-22 x 6½		1-23½ x 7		3-20 13/16 x 5 5/16
		1-22 x 7		2-23½ x 6½		1-20 13/16 x 5 13/16
				1-23½ x 7½		
B4D27		3-25 x 6½		1-26½ x 7		3-23 13/16 x 5 5/16
		1-25 x 7		2-26½ x 6½		1-23 13/16 x 5 13/16
				1-26½ x 7½		
B4D30		3-28 x 6½		1-29½ x 7		3-26 13/16 x 5 5/16
		1-28 x 7		2-29½ x 6½		1-26 13/16 x 5 13/16
				1-29½ x 7½		
B4D33		3-31 x 6½		1-32½ x 7		3-29 13/16 x 5 5/16
		1-31 x 7		2-32½ x 6½		1-29 13/16 x 5 13/16
				1-32½ x 7½		
B4D36		3-34 x 6½		1-35½ x 7		3-32 13/16 x 5 5/16
		1-34 x 7		2-35½ x 6½		1-32 13/16 x 5 13/16
				1-35½ x 7½		
B4D15BB		1-13 x 5		1-14½ x 5		3-11 13/16 x 4 5/16
		2-13 x 6½		2-14½ x 6½		1-11 13/16 x 5 13/16
		1-13 x 7		1-14½ x 7½		
B4D18BB		1-16 x 5		1-17½ x 5		3-14 13/16 x 4 5/16
		2-16 x 6½		2-17½ x 6½		1-14 13/16 x 5 13/16
		1-16 x 7		1-17½ x 7½		
B4D21BB		1-19 x 5		1-20½ x 5		3-17 13/16 x 4 5/16
		2-19 x 6½		2-20½ x 6½		1-17 13/16 x 5 13/16
		1-19 x 7		1-20½ x 7½		

Door & Drawer Front Sizes

PREFERRED
BY KARMAN

Cabinet	HALF OVERLAY		FULL OVERLAY		INSET	
	Door	Drawer Front	Door	Drawer Front	Door	Drawer Front
B4D24BB		1-22x5		1-23½x5		3-20 13/16x4 5/16
		2-22x6½		2-23½x6½		1-20 13/16x5 13/16
		1-22x7		1-23½x7½		
B6SD24		4-10x6½		2-11½x7		4-8 13/16x5 5/16
		1-22x6½		2-11½x6½		1-20 13/16x5 5/16
		1-22x7		1-23½x6½		1-20 13/16x5 13/16
				1-23½x7½		
B6SD27		4-11½x6½		2-13x7		4-10 5/16x5 5/16
		1-25x6½		2-13x6½		1-23 13/16x5 5/16
		1-25x7		1-26½x6½		1-23 13/16x5 13/16
				1-26½x7½		
B6SD30		4-13x6½		2-14½x7		4-11 13/16x5 5/16
		1-28x6½		2-14½x6½		1-26 13/16x5 5/16
		1-28x7		1-29½x6½		1-26 13/16x5 13/16
				1-29½x7½		
B6SD33		4-14½x6½		2-16x7		4-13 5/16x5 5/16
		1-31x6½		2-16x6½		1-29 13/16x5 5/16
		1-31x7		1-32½x6½		1-29 13/16x5 13/16
				1-32½x7½		
B6SD36		4-16x6½		2-17½x7		4-14 13/16x5 5/16
		1-34x6½		2-17½x6½		1-32 13/16x5 5/16
		1-34x7		1-35½x6½		1-32 13/16x5 13/16
				1-35½x7½		
BAE12 R-L	1-14x28		1-14x29		1-12 13/16x26 13/16	
BAEFF12 R-L	1-14x21	1-14x6½	1-14x21½	1-14x7	1-12 13/16x19 13/16	1-12 13/16x5 5/16
BAR09 R-L FHD	1-7x34		1-8½x35		1-5 13/16x32 13/16	
BAR12 R-L FHD	1-10x34		1-11½x35		1-8 13/16x32 13/16	
BAR15 R-L FHD	1-13x34		1-14½x35		1-11 13/16x32 13/16	
BAR18 R-L FHD	1-16x34		1-17½x35		1-14 13/16x32 13/16	
BAR21 R-L FHD	1-19x34		1-20½x35		1-18 13/16x32 13/16	
BAR24 R-L FHD	1-22x34		1-23½x35		1-20 13/16x32 13/16	
BAR24 B FHD	2-10 15/16x34		2-11 13/16x35		2-10 3/8x32 13/16	
BAR27 B FHD	2-12 7/16x34		2-13 3/16x35		2-11 7/8x32 13/16	
BAR30 B FHD	2-13 15/16x34		2-14 13/16x35		2-13 3/8x32 13/16	
BAR33 B FHD	2-15 7/16x34		2-16 3/16x35		2-14 7/8x32 13/16	
BAR36 B FHD	2-16 15/16x34		2-17 13/16x35		2-16 3/8x32 13/16	
BAR39 B FHD	2-18 7/16x34		2-19 3/16x35		2-17 7/8x32 13/16	
BAR42 B FHD	2-19 15/16x34		2-20 13/16x35		2-19 3/8x32 13/16	
BAR45 B FHD	2-21 7/16x34		2-22 3/16x35		2-20 7/8x32 13/16	
BAR48 B FHD	2-22 15/16x34		2-23 13/16x35		2-22 3/8x32 13/16	
BAT24 R-L	1-15x28		1-16½x29		1-13 13/16x26 13/16	
	2-10x28		2-11½x29		2-8 13/16x26 13/16	
BB36 R-L	1-10x21	1-10x6½	1-11½x21½	1-11½x7	1-8 13/16x19 13/16	1-8 13/16x5 5/16
BB39 R-L	1-13x21	1-13x6½	1-14½x21½	1-14½x7	1-11 13/16x19 13/16	1-11 13/16x5 5/16
BB42 R-L	1-16x21	1-16x6½	1-17½x21½	1-17½x7	1-14 13/16x19 13/16	1-14 13/16x5 5/16
BB45 R-L	1-19x21	1-19x6½	1-20½x21½	1-20½x7	1-17 13/16x19 13/16	1-17 13/16x5 5/16
BB48 R-L	1-22x21	1-22x6½	1-23½x21½	1-23½x7	1-20 13/16x19 13/16	1-20 13/16x5 5/16

Door & Drawer Front Sizes

Cabinet	HALF OVERLAY		FULL OVERLAY		INSET	
	Door	Drawer Front	Door	Drawer Front	Door	Drawer Front
BB48 BR-L	2 - 10 15/16 x 21	1 - 22 x 6 1/2	2 - 11 11/16 x 21 1/2	1 - 23 1/2 x 7	2 - 10 3/8 x 19 13/16	1 - 20 13/16 x 5 5/16
BB36 R-L FHD	1 - 10 x 28		1 - 11 1/2 x 29		1 - 8 13/16 x 26 13/16	
BB39 R-L FHD	1 - 13 x 28		1 - 14 1/2 x 29		1 - 11 13/16 x 26 13/16	
BB42 R-L FHD	1 - 16 x 28		1 - 17 1/2 x 29		1 - 14 13/16 x 26 13/16	
BB45 R-L FHD	1 - 19 x 28		1 - 20 1/2 x 29		1 - 17 13/16 x 26 13/16	
BB48 R-L FHD	1 - 22 x 28		1 - 23 1/2 x 29		1 - 20 13/16 x 26 13/16	
BB48 BR-L FHD	2 - 10 15/16 x 28		2 - 11 11/16 x 29		2 - 10 3/8 x 26 13/16	
BBLU42 R-L FHD	1 - 16 x 28		1 - 17 1/2 x 29		1 - 14 13/16 x 26 13/16	
BBLU45 R-L FHD	1 - 19 x 28		1 - 20 1/2 x 29		1 - 17 13/16 x 26 13/16	
BBLU48 R-L FHD	1 - 22 x 28		1 - 23 1/2 x 29		1 - 20 13/16 x 26 13/16	
BBR42 R-L	1 - 16 x 21	1 - 16 x 6 1/2	1 - 17 1/2 x 21 1/2	1 - 17 1/2 x 7	1 - 14 13/16 x 19 13/16	1 - 14 13/16 x 5 5/16
BBR45 R-L	1 - 19 x 21	1 - 19 x 6 1/2	1 - 20 1/2 x 21 1/2	1 - 20 1/2 x 7	1 - 17 13/16 x 19 13/16	1 - 17 13/16 x 5 5/16
BBR48 R-L	1 - 22 x 21	1 - 22 x 6 1/2	1 - 23 1/2 x 21 1/2	1 - 23 1/2 x 7	1 - 20 13/16 x 19 13/16	1 - 20 13/16 x 5 5/16
BBR48 BR-L	2 - 10 15/16 x 21	1 - 22 x 6 1/2	2 - 11 11/16 x 21 1/2	1 - 23 1/2 x 7	2 - 10 3/8 x 19 13/16	1 - 20 13/16 x 5 5/16
BBR42 R-L FHD	1 - 16 x 28		1 - 17 1/2 x 29		1 - 14 13/16 x 26 13/16	
BBR45 R-L FHD	1 - 19 x 28		1 - 20 1/2 x 29		1 - 17 13/16 x 26 13/16	
BBR48 R-L FHD	1 - 22 x 28		1 - 23 1/2 x 29		1 - 20 13/16 x 26 13/16	
BBR48 BR-L FHD	2 - 10 15/16 x 28		2 - 11 11/16 x 29		2 - 10 3/8 x 26 13/16	
BBSMO42 R-L FHD	1 - 16 x 28		1 - 17 1/2 x 29		1 - 14 13/16 x 26 13/16	
BBSMO45 R-L FHD	1 - 19 x 28		1 - 20 1/2 x 29		1 - 17 13/16 x 26 13/16	
BBSMO48 R-L FHD	1 - 22 x 28		1 - 23 1/2 x 29		1 - 20 13/16 x 26 13/16	
BBSO45 R-L	1 - 19 x 21	1 - 19 x 6 1/2	1 - 20 1/2 x 21 1/2	1 - 20 1/2 x 7	1 - 17 13/16 x 26 13/16	1 - 17 13/16 x 5 5/16
BBSO48 R-L	1 - 22 x 21	1 - 22 x 6 1/2	1 - 23 1/2 x 21 1/2	1 - 23 1/2 x 7	1 - 20 13/16 x 26 13/16	1 - 20 13/16 x 5 5/16
BC30RT	2 - 13 15/16 x 14	2 - 13 x 6 1/2 1 - 13 x 13 1/2	2 - 14 11/16 x 14 1/2	1 - 14 1/2 x 7 1 - 14 1/2 x 6 1/2 1 - 14 1/2 x 14	2 - 13 3/8 x 12 13/16	2 - 11 13/16 x 5 5/16 1 - 11 13/16 x 12 5/16
BC36RT	2 - 16 15/16 x 14	2 - 16 x 6 1/2 1 - 16 x 13 1/2	2 - 17 11/16 x 14 1/2	1 - 17 1/2 x 7 1 - 17 1/2 x 6 1/2 1 - 17 1/2 x 14	2 - 16 3/8 x 12 13/16	2 - 14 13/16 x 5 5/16 1 - 14 13/16 x 12 5/16
BC30RTBB	2 - 13 15/16 x 14	2 - 13 x 6 1/2 1 - 13 x 12	2 - 14 11/16 x 14 1/2	1 - 14 1/2 x 7 1 - 14 1/2 x 6 1/2 1 - 14 1/2 x 12	2 - 13 3/8 x 12 13/16	2 - 11 13/16 x 5 5/16 1 - 11 13/16 x 11 5/16
BC36RTBB	2 - 16 15/16 x 14	2 - 16 x 6 1/2 1 - 16 x 12	2 - 17 11/16 x 14 1/2	1 - 17 1/2 x 7 1 - 17 1/2 x 6 1/2 1 - 17 1/2 x 12	2 - 16 3/8 x 12 13/16	2 - 14 13/16 x 5 5/16 1 - 14 13/16 x 11 5/16
BC5D30		2 - 13 x 6 1/2 1 - 28 x 6 1/2 1 - 28 x 7 1 - 13 x 13 1/2		1 - 14 1/2 x 7 2 - 29 1/2 x 7 1 - 14 1/2 x 6 1/2 1 - 14 1/2 x 14		2 - 11 13/16 x 5 5/16 2 - 26 13/16 x 5 5/16 1 - 11 13/16 x 12 5/16
BC5D36		2 - 16 x 6 1/2 1 - 34 x 6 1/2 1 - 34 x 7 1 - 16 x 13 1/2		1 - 17 1/2 x 7 2 - 35 1/2 x 7 1 - 17 1/2 x 6 1/2 1 - 17 1/2 x 14		2 - 14 13/16 x 5 5/16 2 - 32 13/16 x 5 5/16 1 - 14 13/16 x 12 5/16
BC5D30BB		2 - 13 x 6 1/2 1 - 28 x 6 1/2 1 - 28 x 7 1 - 13 x 12		1 - 14 1/2 x 7 2 - 29 1/2 x 7 1 - 14 1/2 x 6 1/2 1 - 14 1/2 x 12		2 - 11 13/16 x 5 5/16 2 - 26 13/16 x 5 5/16 1 - 11 13/16 x 12 5/16

Door & Drawer Front Sizes

PREFERRED
BY KARMAN

Cabinet	HALF OVERLAY		FULL OVERLAY		INSET	
	Door	Drawer Front	Door	Drawer Front	Door	Drawer Front
BC5D36BB		2 - 16 x 6½ 1 - 34 x 6½ 1 - 34 x 7 1 - 16 x 12		1 - 17½ x 7 2 - 35½ x 7 1 - 17½ x 6½ 1 - 17½ x 12		2 - 14 13/16 x 5 5/16 2 - 32 13/16 x 5 5/16 1 - 14 13/16 x 12 5/16
BDC2748		1 - 25 x 9		1 - 26½ x 9 3/4		1 - 23 13/16 x 7 13/16
BEC24	2 - 16½ x 28		2 - 18 x 29		2 - 15 1/16 x 26 13/16	
BECFF24	2 - 16½ x 21	2 - 16½ x 6½	2 - 18 x 21½	2 - 18 x 7	2 - 15 1/16 x 19 13/16	2 - 15 1/16 x 5 5/16
BED24	2 - 15 7/16 x 28		2 - 16 3/16 x 29		2 - 14 7/8 x 26 13/16	
BEDFF24	2 - 15 7/16 x 21	1 - 31 x 6½	2 - 16 3/16 x 21½	1 - 32½ x 7	2 - 14 7/8 x 19 13/16	1 - 29 13/16 x 5 5/16
BIC21 R-L	1 - 19 x 28		1 - 20½ x 29		1 - 17 13/16 x 26 13/16	
BIC24 B	2 - 10 15/16 x 28		2 - 11 11/16 x 29		2 - 10 3/8 x 26 13/16	
BIC24 R-L	1 - 22 x 28		1 - 23½ x 29		1 - 20 13/16 x 26 13/16	
BIC27B	2 - 12 7/16 x 28		2 - 13 3/16 x 29		2 - 11 7/8 x 26 13/16	
BKTCD1284 R-L	1 - 10 x 28		1 - 11½ x 29		1 - 8 13/16 x 26 13/16	
BKTCD1287 R-L	1 - 10 x 28		1 - 11½ x 29		1 - 8 13/16 x 26 13/16	
BKTCD1290 R-L	1 - 10 x 28		1 - 11½ x 29		1 - 8 13/16 x 26 13/16	
BKTCD1293 R-L	1 - 10 x 28		1 - 11½ x 29		1 - 8 13/16 x 26 13/16	
BKTCD1296 R-L	1 - 10 x 28		1 - 11½ x 29		1 - 8 13/16 x 26 13/16	
BKTCD1584 R-L	1 - 13 x 28		1 - 14½ x 29		1 - 11 13/16 x 26 13/16	
BKTCD1587 R-L	1 - 13 x 28		1 - 14½ x 29		1 - 11 13/16 x 26 13/16	
BKTCD1590 R-L	1 - 13 x 28		1 - 14½ x 29		1 - 11 13/16 x 26 13/16	
BKTCD1593 R-L	1 - 13 x 28		1 - 14½ x 29		1 - 11 13/16 x 26 13/16	
BKTCD1596 R-L	1 - 13 x 28		1 - 14½ x 29		1 - 11 13/16 x 26 13/16	
BKTCD1884 R-L	1 - 16 x 28		1 - 17½ x 29		1 - 14 13/16 x 26 13/16	
BKTCD1887 R-L	1 - 16 x 28		1 - 17½ x 29		1 - 14 13/16 x 26 13/16	
BKTCD1890 R-L	1 - 16 x 28		1 - 17½ x 29		1 - 14 13/16 x 26 13/16	
BKTCD1893 R-L	1 - 16 x 28		1 - 17½ x 29		1 - 14 13/16 x 26 13/16	
BKTCD1896 R-L	1 - 16 x 28		1 - 17½ x 29		1 - 14 13/16 x 26 13/16	
BKTCD2184 R-L	1 - 19 x 28		1 - 20½ x 29		1 - 17 13/16 x 26 13/16	
BKTCD2187 R-L	1 - 19 x 28		1 - 20½ x 29		1 - 17 13/16 x 26 13/16	
BKTCD2190 R-L	1 - 19 x 28		1 - 20½ x 29		1 - 17 13/16 x 26 13/16	
BKTCD2193 R-L	1 - 19 x 28		1 - 20½ x 29		1 - 17 13/16 x 26 13/16	
BKTCD2196 R-L	1 - 19 x 28		1 - 20½ x 29		1 - 17 13/16 x 26 13/16	
BKTCD2484 R-L	1 - 22 x 28		1 - 23½ x 29		1 - 20 13/16 x 26 13/16	
BKTCD2487 R-L	1 - 22 x 28		1 - 23½ x 29		1 - 20 13/16 x 26 13/16	
BKTCD2490 R-L	1 - 22 x 28		1 - 23½ x 29		1 - 20 13/16 x 26 13/16	
BKTCD2493 R-L	1 - 22 x 28		1 - 23½ x 29		1 - 20 13/16 x 26 13/16	
BKTCD2496 R-L	1 - 22 x 28		1 - 23½ x 29		1 - 20 13/16 x 26 13/16	
BKTCD2484B	2 - 10 15/16 x 28		2 - 11 11/16 x 29		2 - 10 3/8 x 26 13/16	
BKTCD2487B	2 - 10 15/16 x 28		2 - 11 11/16 x 29		2 - 10 3/8 x 26 13/16	
BKTCD2490B	2 - 10 15/16 x 28		2 - 11 11/16 x 29		2 - 10 3/8 x 26 13/16	
BKTCD2493B	2 - 10 15/16 x 28		2 - 11 11/16 x 29		2 - 10 3/8 x 26 13/16	
BKTCD2496B	2 - 10 15/16 x 28		2 - 11 11/16 x 29		2 - 10 3/8 x 26 13/16	
BKTCD2784	2 - 12 7/16 x 28		2 - 13 3/16 x 29		2 - 11 7/8 x 26 13/16	
BKTCD2787	2 - 12 7/16 x 28		2 - 13 3/16 x 29		2 - 11 7/8 x 26 13/16	
BKTCD2790	2 - 12 7/16 x 28		2 - 13 3/16 x 29		2 - 11 7/8 x 26 13/16	
BKTCD2793	2 - 12 7/16 x 28		2 - 13 3/16 x 29		2 - 11 7/8 x 26 13/16	

Door & Drawer Front Sizes

Cabinet	HALF OVERLAY		FULL OVERLAY		INSET	
	Door	Drawer Front	Door	Drawer Front	Door	Drawer Front
BKTCD2796	2 - 12 7/16 x 28		2 - 13 3/16 x 29		2 - 11 7/8 x 26 13/16	
BKTCD3084	2 - 13 15/16 x 28		2 - 14 11/16 x 29		2 - 13 3/8 x 26 13/16	
BKTCD3087	2 - 13 15/16 x 28		2 - 14 11/16 x 29		2 - 13 3/8 x 26 13/16	
BKTCD3090	2 - 13 15/16 x 28		2 - 14 11/16 x 29		2 - 13 3/8 x 26 13/16	
BKTCD3093	2 - 13 15/16 x 28		2 - 14 11/16 x 29		2 - 13 3/8 x 26 13/16	
BKTCD3096	2 - 13 15/16 x 28		2 - 14 11/16 x 29		2 - 13 3/8 x 26 13/16	
BKTCD3384	2 - 15 7/16 x 28		2 - 16 3/16 x 29		2 - 14 7/8 x 26 13/16	
BKTCD3387	2 - 15 7/16 x 28		2 - 16 3/16 x 29		2 - 14 7/8 x 26 13/16	
BKTCD3390	2 - 15 7/16 x 28		2 - 16 3/16 x 29		2 - 14 7/8 x 26 13/16	
BKTCD3393	2 - 15 7/16 x 28		2 - 16 3/16 x 29		2 - 14 7/8 x 26 13/16	
BKTCD3396	2 - 15 7/16 x 28		2 - 16 3/16 x 29		2 - 14 7/8 x 26 13/16	
BKTCD3684	2 - 16 15/16 x 28		2 - 17 11/16 x 29		2 - 16 3/8 x 26 13/16	
BKTCD3687	2 - 16 15/16 x 28		1 - 17 11/16 x 29		2 - 16 3/8 x 26 13/16	
BKTCD3690	2 - 16 15/16 x 28		2 - 17 11/16 x 29		2 - 16 3/8 x 26 13/16	
BKTCD3693	2 - 16 15/16 x 28		2 - 17 11/16 x 29		2 - 16 3/8 x 26 13/16	
BKTCD3696	2 - 16 15/16 x 28		2 - 17 11/16 x 29		2 - 16 3/8 x 26 13/16	
BMOV27		1 - 25 x 8 1/2		1 - 26 1/2 x 9		1 - 23 13/16 x 7 5/16
BMOV30		1 - 28 x 8 1/2		1 - 29 1/2 x 9		1 - 26 13/16 x 7 5/16
BP09	1 - 7 x 28		1 - 8 1/2 x 29		1 - 5 13/16 x 26 13/16	
BP12	1 - 10 x 28		1 - 11 1/2 x 29		1 - 8 13/16 x 26 13/16	
BPS36B	2 - 16 15/16 x 28		2 - 17 11/16 x 29		2 - 16 3/8 x 26 13/16	
BS3D30		1 - 28 x 6 1/2 2 - 28 x 10 1/4		1 - 29 1/2 x 7 1 - 29 1/2 x 10 1/4 1 - 29 1/2 x 10 3/4		1 - 26 13/16 x 5 5/16 2 - 26 13/16 x 9 1/16
BS3D36		1 - 34 x 6 1/2 2 - 34 x 10 1/4		1 - 35 1/2 x 7 1 - 35 1/2 x 10 1/4 1 - 35 1/2 x 10 3/4		1 - 29 13/16 x 5 5/16 2 - 32 13/16 x 9 1/16
BSC30B	2 - 13 15/16 x 21	1 - 28 x 6 1/2	2 - 14 11/16 x 21 1/2	1 - 29 1/2 x 7	2 - 13 3/8 x 19 13/16	1 - 26 13/16 x 5 5/16
BSC36B	2 - 16 15/16 x 21	1 - 34 x 6 1/2	2 - 17 11/16 x 21 1/2	1 - 35 1/2 x 7	2 - 16 3/8 x 19 13/16	1 - 29 13/16 x 5 5/16
BT09 R-L	1 - 7 x 21	1 - 7 x 6 1/2	1 - 8 1/2 x 21 1/2	1 - 8 1/2 x 7	1 - 5 13/16 x 19 13/16	1 - 5 13/16 x 5 5/16
BT12 R-L	1 - 10 x 21	1 - 10 x 6 1/2	1 - 11 1/2 x 21 1/2	1 - 11 1/2 x 7	1 - 8 13/16 x 19 13/16	1 - 8 13/16 x 5 5/16
BT09 R-L FHD	1 - 7 x 28		1 - 8 1/2 x 29		1 - 5 13/16 x 26 13/16	
BT12 R-L FHD	1 - 10 x 28		1 - 11 1/2 x 29		1 - 8 13/16 x 26 13/16	
BW15	1 - 13 x 21	1 - 13 x 6 1/2	1 - 14 1/2 x 21 1/2	1 - 14 1/2 x 7	1 - 11 13/16 x 19 13/16	1 - 11 13/16 x 5 5/16
BWD18	1 - 16 x 21	1 - 16 x 6 1/2	1 - 17 1/2 x 21 1/2	1 - 17 1/2 x 7	1 - 14 13/16 x 19 13/16	1 - 14 13/16 x 5 5/16
BWD21	1 - 19 x 21	1 - 19 x 6 1/2	1 - 20 1/2 x 21 1/2	1 - 20 1/2 x 7	1 - 17 13/16 x 19 13/16	1 - 17 13/16 x 5 5/16
BW15 FHD	1 - 13 x 28		1 - 14 1/2 x 29		1 - 11 13/16 x 26 13/16	
BWD18 FHD	1 - 16 x 28		1 - 17 1/2 x 29		1 - 14 13/16 x 26 13/16	
BWD21 FHD	1 - 19 x 28		1 - 20 1/2 x 29		1 - 17 13/16 x 26 13/16	
BWRT18 R-L	1 - 16 x 21	1 - 16 x 6 1/2	1 - 17 1/2 x 21 1/2	1 - 17 1/2 x 7	1 - 14 13/16 x 19 13/16	1 - 14 13/16 x 5 5/16
BWRT18 R-L FHD	1 - 16 x 28		1 - 17 1/2 x 29		1 - 14 13/16 x 26 13/16	
BWRX24-15		1 - 22 x 6 1/2		1 - 23 1/2 x 7		1 - 20 13/16 x 5 5/16
BWS24-21B	2 - 10 15/16 x 10		2 - 11 11/16 x 11		2 - 10 3/8 x 8 13/16	
BWS27-21B	2 - 12 7/16 x 10		2 - 13 3/16 x 11		2 - 11 7/8 x 8 13/16	
BWS30-21B	2 - 13 15/16 x 10		2 - 14 11/16 x 11		2 - 13 3/8 x 8 13/16	
BWS33-21B	2 - 15 7/16 x 10		2 - 16 3/16 x 11		2 - 14 7/8 x 8 13/16	
BWS36-21B	2 - 16 15/16 x 10		2 - 17 11/16 x 11		2 - 16 3/8 x 8 13/16	

Door & Drawer Front Sizes

PREFERRED
BY KARMAN

Cabinet	HALF OVERLAY		FULL OVERLAY		INSET	
	Door	Drawer Front	Door	Drawer Front	Door	Drawer Front
BWSD24-21B		1-22x10		1-23½x11		1-20 13/16x8 13/16
BWSD27-21B		1-25x10		1-26½x11		1-23 13/16x8 13/16
BWSD30-21B		1-28x10		1-29½x11		1-26 13/16x8 13/16
BWSD33-21B		1-31x10		1-32½x11		1-29 13/16x8 13/16
BWSD36-21B		1-34x10		1-35½x11		1-32 13/16x8 13/16
CB3D36		2-11x6½ 4-11x10¼		2-11x7 2-11x10¼, 2-11x10 3/4		2-11 1/8x5 5/16 4-11 1/8x9 1/16
CB3D39		2-14x6½ 4-14x10¼		2-14x7 2-14x10¼, 2-14x10		2-14 1/8x5 5/16 4-14 1/8x9 1/16
CER33 R-L	2-7 3/16x28		2-7 3/16x29	3/4		2-6 9/16x26 13/16
CER36 R-L	2-10 3/16x28		2-10 3/16x29			2-9 9/16x26 13/16
CER36-DWRR-L	2-10 3/16x21	2-10 3/16x6½	2-10 3/16x21½	2-10 3/16x7	2-9 9/16x19 13/16	2-11 1/8x5 5/16
CER36SS R-L	2-10 3/16x28		2-10 3/16x29			2-9 9/16x26 13/16
CER36SS-DWRR-L	2-10 3/16x21	2-10 3/16x6½	2-10 3/16x21½	2-10 3/16x7	2-9 9/16x19 13/16	2-11 1/8x5 5/16
CERD33 R-L	1-10¼x28		1-10¼x29			1-9 1/16x26 13/16
CERD36 R-L	1-14½x28		1-14½x29			1-13 5/16x26 13/16
CERD36-DWRR-L	1-14½x21	1-14½x6½	1-14½x21½	1-14½x7	1-13 5/16x19 13/16	1-13 5/16x5 5/16
CERD36SS R-L	1-14½x28		1-14½x29			1-13 5/16x26 13/16
CERD36SS-DWRR-L	1-14½x21	1-14½x6½	1-14½x21½	1-14½x7	1-13 5/16x19 13/16	1-13 5/16x5 5/16
CSB36 R-L	1-14 7/8x21	1-14 7/8x6½	1-14 7/8x21½	1-14 7/8x7	1-13 11/16x19 13/16	1-13 11/16x5 5/16
CSB39 R-L	1-19 1/16x21	1-19 1/16x6½	1-19 1/16x21½	1-19 1/16x7	1-17 7/8x19 13/16	1-17 7/8x5 5/16
CSB42 R-L	1-23 5/16x21	1-23 5/16x6½	1-23 5/16x21½	1-23 5/16x7	1-22 1/8x19 13/16	1-22 1/8x5 5/16
CSB42B	2-11 9/16x21	1-23 5/16x6½	2-11 9/16x21½	1-23 5/16x7	2-11x19 13/16	1-22 1/8x5 5/16
CSB45B	2-13 11/16x21	1-27 9/16x6½	2-13 11/16x21½	1-27 9/16x7	2-13 1/8x19 13/16	1-26 3/8x5 5/16
CSB48B	2-15 7/8x21	1-15 13/16x6½	2-15 13/16x21½	1-31 13/16x7	2-15¼x19 13/16	1-30 5/8x5 5/16
CSF3636 R-L	1-14¼x21	1-14¼x6½	1-14¼x21½	1-14¼x7	1-13 1/16x19 13/16	1-13 1/16x5 5/16
CSF3939 R-L	1-18½x21	1-18½x6½	1-18½x21½	1-18½x7	1-17 5/16x19 13/16	1-17 5/16x5 5/16
CSF4242 R-L	1-22 7/8x21	1-22 7/8x6½	1-22 7/8x21½	1-22 7/8x7	1-21 11/16x19 13/16	1-21 11/16x5 5/16
CSF4242B	2-11 3/8x21	1-22 7/8x6½	2-11 3/8x21½	1-22 7/8x7	2-10 13/16x19 13/16	1-21 11/16x5 5/16
CVSF3333 R-L	1-14¼x17	1-14¼x6½	1-14¼x17½	1-14¼x7	1-13 1/16x15 13/16	1-13 1/16x5 5/16
CVSF3636 R-L	1-18½x17	1-18½x6½	1-18½x17½	1-18½x7	1-17 5/16x15 13/16	1-17 5/16x5 5/16
CVSF3939 R-L	1-22 7/8x17	1-22 7/8x6½	1-22 7/8x17½	1-22 7/8x7	1-21 11/16x15 13/16	1-21 11/16x5 5/16
CVSF3939B	2-11 3/8x17	1-22 7/8x6½	2-11 3/8x17½	1-22 7/8x7	2-10 13/16x15 13/16	1-21 11/16x5 5/16
CW2418 R-L	1-14½x16		1-14½x16½			1-11 11/16x14 13/16
CW2424 R-L	1-14½x22		1-14½x22½			1-11 11/16x20 13/16
CW2427 R-L	1-14½x25		1-14½x25½			1-11 11/16x23 13/16
CW2430 R-L	1-14½x28		1-14½x28½			1-11 11/16x26 13/16
CW2433 R-L	1-14½x31		1-14½x31½			1-11 11/16x29 13/16
CW2436 R-L	1-14½x34		1-14½x34½			1-11 11/16x32 13/16
CW2439 R-L	1-14½x37		1-14½x37½			1-11 11/16x35 13/16
CW2442 R-L	1-14½x40		1-14½x40½			1-11 11/16x38 13/16
CW2430SPR-L	1-14½x28		1-14½x28½			1-11 11/16x26 13/16
	1-13x25¼		1-13x27 5/8			1-10 3/16x24 1/16
CW2433SPR-L	1-14½x31		1-14½x31½			1-11 11/16x29 13/16
	1-13x28¼		1-13x29 5/8			1-10 3/16x27 1/16
CW2436SPR-L	1-14½x34		1-14½x34½			1-11 11/16x32 13/16
	1-13x31¼		1-13x33 1/8			1-10 3/16x30 1/16

Door & Drawer Front Sizes

Cabinet	HALF OVERLAY		FULL OVERLAY		INSET	
	Door	Drawer Front	Door	Drawer Front	Door	Drawer Front
CW2439SPR-L	1-14½ x 37		1-14½ x 37½		1-111/16 x 35 13/16	
	1-13 x 34¼		1-13 x 36 1/8		1-10 3/16 x 33 1/16	
CW2442SPR-L	1-14½ x 40		1-14½ x 40½		1-111/16 x 38 13/16	
	1-13 x 37¼		1-13 x 39 1/8		1-10 3/16 x 36 1/16	
CW2718 R-L	1-14½ x 16		1-14½ x 16½		1-111/16 x 14 13/16	
CW2724 R-L	1-14½ x 22		1-14½ x 22½		1-111/16 x 20 13/16	
CW2727 R-L	1-14½ x 25		1-14½ x 25½		1-111/16 x 23 13/16	
CW2730 R-L	1-14½ x 28		1-14½ x 28½		1-111/16 x 26 13/16	
CW2733 R-L	1-14½ x 31		1-14½ x 31½		1-111/16 x 29 13/16	
CW2736 R-L	1-14½ x 34		1-14½ x 34½		1-111/16 x 32 13/16	
CW2739 R-L	1-14½ x 37		1-14½ x 37½		1-111/16 x 35 13/16	
CW2742 R-L	1-14½ x 40		1-14½ x 40½		1-111/16 x 38 13/16	
CW2730SPR-L	1-14½ x 28		1-14½ x 28½		1-111/16 x 26 13/16	
	1-13 x 25¼		1-13 x 27 5/8		1-10 3/16 x 24 1/16	
CW2733SPR-L	1-14½ x 31		1-14½ x 31½		1-111/16 x 29 13/16	
	1-13 x 28¼		1-13 x 29 5/8		1-10 3/16 x 27 1/16	
CW2736SPR-L	1-14½ x 34		1-14½ x 34½		1-111/16 x 32 13/16	
	1-13 x 31¼		1-13 x 33 1/8		1-10 3/16 x 30 1/16	
CW2739SPR-L	1-14½ x 37		1-14½ x 37½		1-111/16 x 35 13/16	
	1-13 x 34¼		1-13 x 36 1/8		1-10 3/16 x 33 1/16	
CW2742SPR-L	1-14½ x 40		1-14½ x 40½		1-111/16 x 38 13/16	
	1-13 x 37¼		1-13 x 39 1/8		1-10 3/16 x 36 1/16	
CWBF2424 R-L	2-10 3/16 x 22		2-10 3/16 x 22½		2-9 5/16 x 20 13/16	
CWBF2427 R-L	2-10 3/16 x 25		2-10 3/16 x 25½		2-9 5/16 x 23 13/16	
CWBF2430 R-L	2-10 3/16 x 28		2-10 3/16 x 28½		2-9 5/16 x 26 13/16	
CWBF2433 R-L	2-10 3/16 x 31		2-10 3/16 x 31½		2-9 5/16 x 29 13/16	
CWBF2436 R-L	2-10 3/16 x 34		2-10 3/16 x 34½		2-9 5/16 x 32 13/16	
CWBF2439 R-L	2-10 3/16 x 37		2-10 3/16 x 37½		2-9 5/16 x 35 13/16	
CWBF2442 R-L	2-10 3/16 x 40		2-10 3/16 x 40½		2-9 5/16 x 38 13/16	
CWR2424 R-L	1-14½ x 22		1-14½ x 22½		1-111/16 x 20 13/16	
CWR2427 R-L	1-14½ x 25		1-14½ x 25½		1-111/16 x 23 13/16	
CWR2430 R-L	1-14½ x 28		1-14½ x 28½		1-111/16 x 26 13/16	
CWR2433 R-L	1-14½ x 31		1-14½ x 31½		1-111/16 x 29 13/16	
CWR2436 R-L	1-14½ x 34		1-14½ x 34½		1-111/16 x 32 13/16	
CWR2439 R-L	1-14½ x 37		1-14½ x 37½		1-111/16 x 35 13/16	
CWR2442 R-L	1-14½ x 40		1-14½ x 40½		1-111/16 x 38 13/16	
CWR2730 R-L	1-14½ x 28		1-14½ x 28½		1-111/16 x 26 13/16	
CWR2733 R-L	1-14½ x 31		1-14½ x 31½		1-111/16 x 29 13/16	
CWR2736 R-L	1-14½ x 34		1-14½ x 34½		1-111/16 x 32 13/16	
CWR2739 R-L	1-14½ x 37		1-14½ x 37½		1-111/16 x 35 13/16	
CWR2742 R-L	1-14½ x 40		1-14½ x 40½		1-111/16 x 38 13/16	
CWSAC2448 R-L	1-14½ x 28		1-14½ x 28½		1-111/16 x 26 13/16	
CWSAC2451 R-L	1-14½ x 31		1-14½ x 31½		1-111/16 x 29 13/16	
CWSAC2454 R-L	1-14½ x 34		1-14½ x 34½		1-111/16 x 32 13/16	
CWSAC2457 R-L	1-14½ x 37		1-14½ x 37½		1-111/16 x 35 13/16	
CWSAC2460 R-L	1-14½ x 40		1-14½ x 40½		1-111/16 x 38 13/16	
CWSAC2748 R-L	1-14½ x 28		1-14½ x 28½		1-111/16 x 26 13/16	

Door & Drawer Front Sizes

PREFERRED
BY KARMAN

Cabinet	HALF OVERLAY		FULL OVERLAY		INSET	
	Door	Drawer Front	Door	Drawer Front	Door	Drawer Front
CWSAC2751 R-L	1-14½ x 31		1-14½ x 31½		1-11 11/16 x 29 13/16	
CWSAC2754 R-L	1-14½ x 34		1-14½ x 34½		1-11 11/16 x 32 13/16	
CWSAC2757 R-L	1-14½ x 37		1-14½ x 37½		1-11 11/16 x 35 13/16	
CWSAC2760 R-L	1-14½ x 40		1-14½ x 40½		1-11 11/16 x 38 13/16	
CWSACD2448 R-L	1-14½ x 28 1-14½ x 177/8		1-14½ x 28½ 1-14½ x 177/8		1-11 11/16 x 26 13/16 1-11 11/16 x 17 5/16	
CWSACD2451 R-L	1-14½ x 31 1-14½ x 177/8		1-14½ x 31½ 1-14½ x 177/8		1-11 11/16 x 29 13/16 1-11 11/16 x 17 5/16	
CWSACD2454 R-L	1-14½ x 34 1-14½ x 177/8		1-14½ x 34½ 1-14½ x 177/8		1-11 11/16 x 32 13/16 1-11 11/16 x 17 5/16	
CWSACD2457 R-L	1-14½ x 37 1-14½ x 177/8		1-14½ x 37½ 1-14½ x 177/8		1-11 11/16 x 35 13/16 1-11 11/16 x 17 5/16	
CWSACD2460 R-L	1-14½ x 40 1-14½ x 177/8		1-14½ x 40½ 1-14½ x 177/8		1-11 11/16 x 38 13/16 1-11 11/16 x 17 5/16	
CWSACD2748 R-L	1-14½ x 28 1-14½ x 177/8		1-14½ x 28½ 1-14½ x 177/8		1-11 11/16 x 26 13/16 1-11 11/16 x 17 5/16	
CWSACD2751 R-L	1-14½ x 31 1-14½ x 177/8		1-14½ x 31½ 1-14½ x 177/8		1-11 11/16 x 29 13/16 1-11 11/16 x 17 5/16	
CWSACD2754 R-L	1-14½ x 34 1-14½ x 177/8		1-14½ x 34½ 1-14½ x 177/8		1-11 11/16 x 32 13/16 1-11 11/16 x 17 5/16	
CWSACD2757 R-L	1-14½ x 37 1-14½ x 177/8		1-14½ x 37½ 1-14½ x 177/8		1-11 11/16 x 35 13/16 1-11 11/16 x 17 5/16	
CWSACD2760 R-L	1-14½ x 40 1-14½ x 177/8		1-14½ x 40½ 1-14½ x 177/8		1-11 11/16 x 38 13/16 1-11 11/16 x 17 5/16	
D2DC15		2-13 x 10 3/4		2-14½ x 11¼		2-11 13/16 x 9 9/16
D2DC18		2-16 x 10 3/4		2-17½ x 11¼		2-14 13/16 x 9 9/16
D2DC21		2-19 x 10 3/4		2-20½ x 11¼		2-17 13/16 x 9 9/16
D2DC24		2-22 x 10 3/4		2-23½ x 11¼		2-20 13/16 x 9 9/16
D2DC27		2-25 x 10 3/4		2-26½ x 11¼		2-23 13/16 x 9 9/16
D2DC30		2-28 x 10 3/4		2-29½ x 11¼		2-26 13/16 x 9 9/16
D2DC15WS		1-13 x 9¼ 1-13 x 10 3/4		1-14½ x 10¼ 1-14½ x 11¼		1-11 13/16 x 8 9/16 1-11 13/16 x 9 9/16
D2DC18WS		1-16 x 9¼ 1-16 x 10 3/4		1-17½ x 10¼ 1-17½ x 11¼		1-14 13/16 x 8 9/16 1-14 13/16 x 9 9/16
D2DC21WS		1-19 x 9¼ 1-19 x 10 3/4		1-20½ x 10¼ 1-20½ x 11¼		1-17 13/16 x 8 9/16 1-17 13/16 x 9 9/16
D2DC24WS		1-22 x 9¼ 1-22 x 10 3/4		1-23½ x 10¼ 1-23½ x 11¼		1-20 13/16 x 8 9/16 1-20 13/16 x 9 9/16
D2FD15		2-13 x 10 7/16		2-14½ x 10 7/8		2-11 13/16 x 10 7/8
D2FD18		2-16 x 11 7/16		2-17½ x 10 7/8		2-14 13/16 x 10 7/8
D2FD21		2-19 x 11 7/16		2-20½ x 10 7/8		2-17 13/16 x 10 7/8
D2FD24		2-22 x 11 7/16		2-23½ x 10 7/8		2-20 13/16 x 10 7/8
D2FD27		2-25 x 11 7/16		2-26½ x 10 7/8		2-23 13/16 x 10 7/8
D2FD30		2-28 x 11 7/16		2-29½ x 10 7/8		2-26 13/16 x 10 7/8
D3DC15		1-13 x 6½ 2-13 x 7¼		1-14½ x 7 1-14½ x 7¼, 1-14½ x 7 ¾		1-11 13/16 x 5 5/16 2-11 13/16 x 6 1/16

Door & Drawer Front Sizes

Cabinet	HALF OVERLAY		FULL OVERLAY		INSET	
	Door	Drawer Front	Door	Drawer Front	Door	Drawer Front
D3DC18		1-16 x 6½ 2-16 x 7¼		1-17½ x 7 1-17½ x 7¼, 1-17½ x 7		1-14 13/16 x 5 5/16 2-14 13/16 x 6 1/16
D3DC21		1-19 x 6½ 2-19 x 7¼		3/4-20½ x 7 1-20½ x 7¼, 1-20½ x 7 3/4		1-17 13/16 x 5 5/16 2-17 13/16 x 6 1/16
D3DC24		1-22 x 6½ 2-22 x 7¼		1-23½ x 7 1-23½ x 7¼, 1-23½ x 7		1-20 13/16 x 5 5/16 2-20 13/16 x 6 1/16
D3DC27		1-25 x 6½ 2-25 x 7¼		3/4-26½ x 7 1-26½ x 7¼, 1-26½ x 7 3/4		1-23 13/16 x 5 5/16 2-23 13/16 x 6 1/16
D3DC30		1-28 x 6½ 2-28 x 7¼		1-29½ x 7 1-29½ x 7¼, 1-29½ x 7		1-26 13/16 x 5 5/16 2-26 13/16 x 6 1/16
D3DC15WS		1-13 x 5 2-13 x 7¼		3/4-14½ x 5 1-14½ x 7¼		1-11 13/16 x 4 5/16 2-11 13/16 x 6 1/16
D3DC18WS		1-16 x 5 2-16 x 7¼		1-17½ x 5 1-17½ x 7¼		1-14 13/16 x 4 5/16 2-14 13/16 x 6 1/16
D3DC21WS		1-19 x 5 2-19 x 7¼		1-20½ x 5 1-20½ x 7¼		1-17 13/16 x 4 5/16 2-17 13/16 x 6 1/16
D3DC24WS		1-22 x 5 2-22 x 7¼		1-23½ x 5 1-23½ x 7¼		1-20 13/16 x 4 5/16 2-20 13/16 x 6 1/16
DB24B	4-10 15/16 x 21	2-22 x 6½	4-11 11/16 x 21½	2-23½ x 7	2-10 3/8 x 19 13/16	2-20 13/16 x 5 5/16
DB30B	4-13 15/16 x 21	2-28 x 6½	4-14 11/16 x 21½	2-29½ x 7	4-13 3/8 x 19 13/16	2-26 13/16 x 5 5/16
DB36B	4-16 15/16 x 21	2-34 x 6½	4-17 11/16 x 21½	2-35½ x 7	4-16 3/8 x 19 13/16	2-32 13/16 x 5 5/16
DB42B	4-19 15/16 x 21	2-40 x 6½	4-20 11/16 x 21½	2-41½ x 7	4-19 3/8 x 19 13/16	2-38 13/16 x 5 5/16
DB24BFHD	4-10 15/16 x 28	2-22 x 6½	4-11 11/16 x 29		4-10 3/8 x 26 13/16	
DB30BFHD	4-13 15/16 x 28	2-28 x 6½	4-14 11/16 x 29		4-13 3/8 x 26 13/16	
DB36BFHD	4-16 15/16 x 28	2-34 x 6½	4-17 11/16 x 29		4-16 3/8 x 26 13/16	
DB42BFHD	4-19 15/16 x 28	2-40 x 6½	4-20 11/16 x 29		4-19 3/8 x 26 13/16	
DBB36B R-L	1-10 x 21 2-16 15/16 x 21	1-10 x 6½ 1-34 x 6½	1-11½ x 21½ 2-17 11/16 x 21½	1-11½ x 7 1-35½ x 7	1-8 13/16 x 19 13/16 2-16 3/8 x 19 13/16	1-8 13/16 x 5 5/16 1-32 13/16 x 5 5/16
DBB42B R-L	1-16 x 21 2-19 15/16 x 21	1-16 x 6½ 1-40 x 6½	1-17½ x 21½ 2-20 11/16 x 21½	1-17½ x 7 1-41½ x 7	1-14 13/16 x 19 13/16 2-19 3/8 x 19 13/16	1-14 13/16 x 5 5/16 1-38 13/16 x 5 5/16
DBB48B R-L	1-22 x 21 2-22 15/16 x 21	1-22 x 6½ 1-46 x 6½	1-23½ x 21½ 2-23 11/16 x 21½	1-23½ x 7 1-47½ x 7	1-20 13/16 x 19 13/16 2-22 3/8 x 19.815	1-20 13/16 x 5 5/16 1-44 13/16 x 5 5/16
DBB36BR-L FHD	1-10 x 28 2-16 15/16 x 28		1-11½ x 29 2-17 11/16 x 29		1-8 13/16 x 26 13/16 2-16 3/8 x 26 13/16	
DBB42BR-L FHD	1-16 x 28 2-19 15/16 x 28		1-17½ x 29 2-20 11/16 x 29		1-14 13/16 x 26 13/16 2-19 3/8 x 26 13/16	
DBB48BR-L FHD	1-22 x 28 2-22 15/16 x 28		1-23½ x 29 2-23 11/16 x 29		1-20 13/16 x 26 13/16 2-22 3/8 x 26 13/16	
DC15R-L	1-13 x 15	1-13 x 6½	1-14½ x 15½	1-14½ x 7	1-11 13/16 x 13 13/16	1-11 13/16 x 5 5/16
DC18R-L	1-16 x 15	1-16 x 6½	1-17½ x 15½	1-17½ x 7	1-14 13/16 x 13 13/16	1-14 13/16 x 5 5/16
DC21R-L	1-19 x 15	1-19 x 6½	1-20½ x 15½	1-20½ x 7	1-17 13/16 x 13 13/16	1-17 13/16 x 5 5/16
DC24R-L	1-22 x 15	1-22 x 6½	1-23½ x 15½	1-23½ x 7	1-20 13/16 x 13 13/16	1-20 13/16 x 5 5/16
DC24B	2-10 15/16 x 15	1-22 x 6½	2-11 11/16 x 15½	1-23½ x 7	2-10 3/8 x 13 13/16	1-20 13/16 x 5 5/16
DC27B	2-12 7/16 x 15	1-25 x 6½	2-13 3/16 x 15½	1-26½ x 7	2-11 7/8 x 13 13/16	1-23 13/16 x 5 5/16
DC30B	2-13 15/16 x 15	1-28 x 6½	2-14 11/16 x 15½	1-29½ x 7	2-13 3/8 x 13 13/16	1-26 13/16 x 5 5/16
DC15WSR-L	1-13 x 15	1-13 x 5	1-14½ x 15½	1-14½ x 5	1-11 13/16 x 13 13/16	1-11 13/16 x 4 5/16
DC21WSR-L	1-19 x 15	1-19 x 5	1-20½ x 15½	1-20½ x 5	1-17 13/16 x 13 13/16	1-17 13/16 x 4 5/16

Door & Drawer Front Sizes

PREFERRED
BY KARMAN

Cabinet	HALF OVERLAY		FULL OVERLAY		INSET	
	Door	Drawer Front	Door	Drawer Front	Door	Drawer Front
DC24WSR-L	1-22x15	1-22x5	1-23½x15½	1-23½x5	1-20 13/16x13 13/16	1-20 13/16x4 5/16
DC24WSB	2-10 15/16x15	1-22x5	2-11 11/16x15½	1-23½x5	2-10 3/8x13 13/16	1-20 13/16x4 5/16
DCB3D36		1-14½x6½ 2-14½x10¼		1-14½x7 1-14½x10¼ 1-14½x10 3/4		1-13 3/8x5 5/16 2-13 3/8x9 1/16
DCB3D39		1-18 3/4x6½ 2-18 3/4x10¼		1-18 3/4x7 1-18 3/4x10¼ 1-18 3/4x10 3/4		1-17 9/16x5 5/16 2-17 9/16x9 1/16
DCW2424 R-L, R-L	2-10 15/16x22 1-14½x22		2-11 11/16x22½ 1-14½x22½		1-11 11/16x20 13/16 2-10 3/8x20 13/16	
DCW2427 R-L, R-L	2-10 15/16x25 1-14½x25		2-11 11/16x25½ 1-14½x25½		1-11 11/16x23 13/16 2-10 3/8x23 13/16	
DCW2430 R-L, R-L	2-10 15/16x28 1-14½x28		2-11 11/16x28½ 1-14½x28½		1-11 11/16x26 13/16 2-10 3/8x26 13/16	
DCW2433 R-L, R-L	2-10 15/16x31 1-14½x31		2-11 11/16x31½ 1-14½x31½		1-11 11/16x29 13/16 2-10 3/8x29 13/16	
DCW2436 R-L, R-L	2-10 15/16x34 1-14½x34		2-11 11/16x34½ 1-14½x34½		1-11 11/16x32 13/16 2-10 3/8x32 13/16	
DCW2439 R-L, R-L	2-10 15/16x37 1-14½x37		2-11 11/16x37½ 1-14½x37½		1-11 11/16x35 13/16 2-10 3/8x35 13/16	
DCW2442 R-L, R-L	2-10 15/16x40 1-14½x40		2-11 11/16x40½ 1-14½x40½		1-11 11/16x38 13/16 2-10 3/8x38 13/16	
DCW2430SP R-L, R-L	2-10 15/16x28 1-14½x28 1-13x25¼		2-11 11/16x28½ 1-14½x28½ 1-13x27 1/8		1-11 11/16x26 13/16 2-10 3/8x26 13/16 1-10 3/16x24 1/16	
DCW2433SP R-L, R-L	2-10 15/16x31 1-14½x31 1-13x28¼		2-11 11/16x31½ 1-14½x31½ 1-13x29 1/8		1-11 11/16x29 13/16 2-10 3/8x29 13/16 1-10 3/16x27 1/16	
DCW2436SP R-L, R-L	2-10 15/16x34 1-14½x34 1-13x33¼		2-11 11/16x34½ 1-14½x34½ 1-13x32 1/8		1-11 11/16x32 13/16 2-10 3/8x32 13/16 1-10 3/16x30 1/16	
DCW2439SP R-L, R-L	2-10 15/16x37 1-14½x37 1-13x36¼		2-11 11/16x37½ 1-14½x37½ 1-13x35 1/8		1-11 11/16x35 13/16 2-10 3/8x35 13/16 1-10 3/16x33 1/16	
DCW2442SP R-L, R-L	2-10 15/16x40 1-14½x40 1-13x39¼		2-11 11/16x40½ 1-14½x40½ 1-13x38 1/8		1-11 11/16x38 13/16 2-10 3/8x38 13/16 1-10 3/16x36 1/16	
DCWR2424 R-L, R-L	2-10 15/16x22 1-14½x22		2-11 11/16x22½ 1-14½x22½		1-11 11/16x20 13/16 2-10 3/8x20 13/16	
DCWR2430 R-L, R-L	2-10 15/16x28 1-14½x28		2-11 11/16x28½ 1-14½x28½		1-11 11/16x26 13/16 2-10 3/8x26 13/16	
DCWR2433 R-L, R-L	2-10 15/16x31 1-14½x31		2-11 11/16x31½ 1-14½x31½		1-11 11/16x29 13/16 2-10 3/8x29 13/16	
DCWR2436 R-L, R-L	2-10 15/16x34 1-14½x34		2-11 11/16x34½ 1-14½x34½		1-11 11/16x32 13/16 2-10 3/8x32 13/16	
DCWR2439 R-L, R-L	2-10 15/16x37 1-14½x37		2-11 11/16x37½ 1-14½x37½		1-11 11/16x35 13/16 2-10 3/8x35 13/16	

Door & Drawer Front Sizes

Cabinet	HALF OVERLAY		FULL OVERLAY		INSET	
	Door	Drawer Front	Door	Drawer Front	Door	Drawer Front
DCWR2442R-L, R-L	2 - 10 15/16 x 40 1 - 14 1/2 x 40		2 - 11 11/16 x 40 1/2 1 - 14 1/2 x 40 1/2		1 - 11 11/16 x 38 13/16 2 - 10 3/8 x 38 13/16	
DFD15	1 - 13 x 15	1 - 13 x 6 1/2	1 - 14 1/2 x 15 1/2	1 - 14 1/2 x 7	1 - 11 13/16 x 13 13/16	1 - 11 13/16 x 5 5/16
DFD18	1 - 16 x 15	1 - 16 x 6 1/2	1 - 17 1/2 x 15 1/2	1 - 17 1/2 x 7	1 - 14 13/16 x 13 13/16	1 - 14 13/16 x 5 5/16
DFD21	1 - 19 x 15	1 - 19 x 6 1/2	1 - 20 1/2 x 15 1/2	1 - 20 1/2 x 7	1 - 17 13/16 x 13 13/16	1 - 17 13/16 x 5 5/16
DFD24	1 - 22 x 15	1 - 22 x 6 1/2	1 - 23 1/2 x 15 1/2	1 - 23 1/2 x 7	1 - 20 13/16 x 13 13/16	1 - 20 13/16 x 5 5/16
DFD27	1 - 25 x 15	1 - 25 x 6 1/2	1 - 26 1/2 x 15 1/2	1 - 26 1/2 x 7	1 - 23 13/16 x 13 13/16	1 - 23 13/16 x 5 5/16
DFD30	1 - 28 x 15	1 - 28 x 6 1/2	1 - 29 1/2 x 15 1/2	1 - 29 1/2 x 7	1 - 26 13/16 x 13 13/16	1 - 26 13/16 x 5 5/16
DFD15WS	1 - 13 x 15	1 - 13 x 5	1 - 14 1/2 x 15 1/2	1 - 14 1/2 x 5	1 - 11 13/16 x 13 13/16	1 - 11 13/16 x 4 5/16
DFD18WS	1 - 16 x 15	1 - 16 x 5	1 - 17 1/2 x 15 1/2	1 - 17 1/2 x 5	1 - 14 13/16 x 13 13/16	1 - 14 13/16 x 4 5/16
DFD21WS	1 - 19 x 15	1 - 19 x 5	1 - 20 1/2 x 15 1/2	1 - 20 1/2 x 5	1 - 17 13/16 x 13 13/16	1 - 17 13/16 x 4 5/16
DFD24WS	1 - 22 x 15	1 - 22 x 5	1 - 23 1/2 x 15 1/2	1 - 23 1/2 x 5	1 - 20 13/16 x 13 13/16	1 - 20 13/16 x 4 5/16
DTC15R-L	1 - 13 x 22		1 - 14 1/2 x 23		1 - 11 13/16 x 20 13/16	
DTC18R-L	1 - 16 x 22		1 - 17 1/2 x 23		1 - 14 13/16 x 20 13/16	
DTC21R-L	1 - 19 x 22		1 - 20 1/2 x 23		1 - 17 13/16 x 20 13/16	
DTC24R-L	1 - 22 x 22		1 - 23 1/2 x 23		1 - 20 13/16 x 20 13/16	
DTC24 B	2 - 10 15/16 x 22		2 - 11 11/16 x 23		2 - 10 3/8 x 20 13/16	
DTC27 B	2 - 12 7/16 x 22		2 - 13 3/16 x 23		2 - 11 7/8 x 20 13/16	
DTC30 B	2 - 13 15/16 x 22		2 - 14 11/16 x 23		2 - 13 3/8 x 20 13/16	
DU3D1584-R-L	1 - 13 x 54 1/2	1 - 13 x 6 1/2 2 - 13 x 7 1/4	1 - 14 1/2 x 54 1/2	1 - 14 1/2 x 7 1 - 14 1/2 x 7 1/4 1 - 14 1/2 x 7 3/4	1 - 11 13/16 x 53 5/16	1 - 11 13/16 x 5 5/16 2 - 11 13/16 x 6 1/16
DU3D1587-R-L	1 - 13 x 57 1/2	1 - 13 x 6 1/2 2 - 13 x 7 1/4	1 - 14 1/2 x 57 1/2	1 - 14 1/2 x 7 1 - 14 1/2 x 7 1/4 1 - 14 1/2 x 7 3/4	1 - 11 13/16 x 56 5/16	1 - 11 13/16 x 5 5/16 2 - 11 13/16 x 6 1/16
DU3D1590-R-L	1 - 13 x 60 1/2	1 - 13 x 6 1/2 2 - 13 x 7 1/4	1 - 14 1/2 x 60 1/2	1 - 14 1/2 x 7 1 - 14 1/2 x 7 1/4 1 - 14 1/2 x 7 3/4	1 - 11 13/16 x 59 5/16	1 - 11 13/16 x 5 5/16 2 - 11 13/16 x 6 1/16
DU3D1593-R-L	1 - 13 x 63 1/2	1 - 13 x 6 1/2 2 - 13 x 7 1/4	1 - 14 1/2 x 63 1/2	1 - 14 1/2 x 7 1 - 14 1/2 x 7 1/4 1 - 14 1/2 x 7 3/4	1 - 11 13/16 x 62 5/16	1 - 11 13/16 x 5 5/16 2 - 11 13/16 x 6 1/16
DU3D1596-R-L	1 - 13 x 66 1/2	1 - 13 x 6 1/2 2 - 13 x 7 1/4	1 - 14 1/2 x 66 1/2	1 - 14 1/2 x 7 1 - 14 1/2 x 7 1/4 1 - 14 1/2 x 7 3/4	1 - 11 13/16 x 65 5/16	1 - 11 13/16 x 5 5/16 2 - 11 13/16 x 6 1/16
DU3D1884-R-L	1 - 16 x 54 1/2	1 - 16 x 6 1/2 2 - 16 x 7 1/4	1 - 17 1/2 x 54 1/2	1 - 17 1/2 x 7 1 - 17 1/2 x 7 1/4 1 - 17 1/2 x 7 3/4	1 - 14 13/16 x 53 5/16	1 - 14 13/16 x 5 5/16 2 - 14 13/16 x 6 1/16
DU3D1887-R-L	1 - 16 x 57 1/2	1 - 16 x 6 1/2 2 - 16 x 7 1/4	1 - 17 1/2 x 57 1/2	1 - 17 1/2 x 7 1 - 17 1/2 x 7 1/4 1 - 17 1/2 x 7 3/4	1 - 14 13/16 x 56 5/16	1 - 14 13/16 x 5 5/16 2 - 14 13/16 x 6 1/16
DU3D1890-R-L	1 - 16 x 60 1/2	1 - 16 x 6 1/2 2 - 16 x 7 1/4	1 - 17 1/2 x 60 1/2	1 - 17 1/2 x 7 1 - 17 1/2 x 7 1/4 1 - 17 1/2 x 7 3/4	1 - 14 13/16 x 59 5/16	1 - 14 13/16 x 5 5/16 2 - 14 13/16 x 6 1/16
DU3D1893-R-L	1 - 16 x 63 1/2	1 - 16 x 6 1/2 2 - 16 x 7 1/4	1 - 17 1/2 x 63 1/2	1 - 17 1/2 x 7 1 - 17 1/2 x 7 1/4 1 - 17 1/2 x 7 3/4	1 - 14 13/16 x 62 5/16	1 - 14 13/16 x 5 5/16 2 - 14 13/16 x 6 1/16

Door & Drawer Front Sizes

PREFERRED
BY KARMAN

Cabinet	HALF OVERLAY		FULL OVERLAY		INSET	
	Door	Drawer Front	Door	Drawer Front	Door	Drawer Front
DU3D1896-R-L	1-16 x 66½	1-16 x 6½ 2-16 x 7¼	1-17½ x 66½	1-17½ x 7 1-17½ x 7¼ 1-17½ x 7 3/4	1-14 13/16 x 65 5/16	1-14 13/16 x 5 5/16 2-14 13/16 x 6 1/16
DU3D2184-R-L	1-19 x 54½	1-19 x 6½ 2-19 x 7¼	1-20½ x 54½	1-20½ x 7 1-20½ x 7¼ 1-20½ x 7 3/4	1-17 13/16 x 53 5/16	1-17 13/16 x 5 5/16 2-17 13/16 x 6 1/16
DU3D2187-R-L	1-19 x 57½	1-19 x 6½ 2-19 x 7¼	1-20½ x 57½	1-20½ x 7 1-20½ x 7¼ 1-20½ x 7 3/4	1-17 13/16 x 56 5/16	1-17 13/16 x 5 5/16 2-17 13/16 x 6 1/16
DU3D2190-R-L	1-19 x 60½	1-19 x 6½ 2-19 x 7¼	1-20½ x 60½	1-20½ x 7 1-20½ x 7¼ 1-20½ x 7 3/4	1-17 13/16 x 59 5/16	1-17 13/16 x 5 5/16 2-17 13/16 x 6 1/16
DU3D2193-R-L	1-19 x 63½	1-19 x 6½ 2-19 x 7¼	1-20½ x 63½	1-20½ x 7 1-20½ x 7¼ 1-20½ x 7 3/4	1-17 13/16 x 62 5/16	1-17 13/16 x 5 5/16 2-17 13/16 x 6 1/16
DU3D2196-R-L	1-19 x 66½	1-19 x 6½ 2-19 x 7¼	1-20½ x 66½	1-20½ x 7 1-20½ x 7¼ 1-20½ x 7 3/4	1-17 13/16 x 65 5/16	1-17 13/16 x 5 5/16 2-17 13/16 x 6 1/16
DUB1584-R-L	1-13 x 54½ 1-13 x 15	1-13 x 6½	1-14½ x 54½ 1-14½ x 15½	1-14½ x 7	1-11 13/16 x 53 5/16 1-11 13/16 x 13 13/16	1-11 13/16 x 5 5/16
DUB1587-R-L	1-13 x 57½ 1-13 x 15	1-13 x 6½	1-14½ x 57½ 1-14½ x 15½	1-14½ x 7	1-11 13/16 x 56 5/16 1-11 13/16 x 13 13/16	1-11 13/16 x 5 5/16
DUB1590-R-L	1-13 x 60½ 1-13 x 15	1-13 x 6½	1-14½ x 60½ 1-14½ x 15½	1-14½ x 7	1-11 13/16 x 59 5/16 1-11 13/16 x 13 13/16	1-11 13/16 x 5 5/16
DUB1593-R-L	1-13 x 63½ 1-13 x 15	1-13 x 6½	1-14½ x 63½ 1-14½ x 15½	1-14½ x 7	1-11 13/16 x 62 5/16 1-11 13/16 x 13 13/16	1-11 13/16 x 5 5/16
DUB1596-R-L	1-13 x 66½ 1-13 x 15	1-13 x 6½	1-14½ x 66½ 1-14½ x 15½	1-14½ x 7	1-11 13/16 x 65 5/16 1-11 13/16 x 13 13/16	1-11 13/16 x 5 5/16
DUB1884-R-L	1-16 x 54½ 1-16 x 15	1-16 x 6½	1-17½ x 54½ 1-17½ x 15½	1-17½ x 7	1-14 13/16 x 53 5/16 1-14 13/16 x 13 13/16	1-14 13/16 x 5 5/16
DUB1887-R-L	1-16 x 57½ 1-16 x 15	1-16 x 6½	1-17½ x 57½ 1-17½ x 15½	1-17½ x 7	1-14 13/16 x 56 5/16 1-14 13/16 x 13 13/16	1-14 13/16 x 5 5/16
DUB1890-R-L	1-16 x 60½ 1-16 x 15	1-16 x 6½	1-17½ x 60½ 1-17½ x 15½	1-17½ x 7	1-14 13/16 x 59 5/16 1-14 13/16 x 13 13/16	1-14 13/16 x 5 5/16
DUB1893-R-L	1-16 x 63½ 1-16 x 15	1-16 x 6½	1-17½ x 63½ 1-17½ x 15½	1-17½ x 7	1-14 13/16 x 62 5/16 1-14 13/16 x 13 13/16	1-14 13/16 x 5 5/16
DUB1896-R-L	1-16 x 66½ 1-16 x 15	1-16 x 6½	1-17½ x 66½ 1-17½ x 15½	1-17½ x 7	1-14 13/16 x 65 5/16 1-14 13/16 x 13 13/16	1-14 13/16 x 5 5/16
DUB2184-R-L	1-19 x 54½ 1-19 x 15	1-19 x 6½	1-20½ x 54½ 1-20½ x 15½	1-20½ x 7	1-17 13/16 x 53 5/16 1-17 13/16 x 13 13/16	1-17 13/16 x 5 5/16
DUB2187-R-L	1-19 x 57½ 1-19 x 15	1-19 x 6½	1-20½ x 57½ 1-20½ x 15½	1-20½ x 7	1-17 13/16 x 56 5/16 1-17 13/16 x 13 13/16	1-17 13/16 x 5 5/16
DUB2190-R-L	1-19 x 60½ 1-19 x 15	1-19 x 6½	1-20½ x 60½ 1-20½ x 15½	1-20½ x 7	1-17 13/16 x 59 5/16 1-17 13/16 x 13 13/16	1-17 13/16 x 5 5/16
DUB2193-R-L	1-19 x 63½ 1-19 x 15	1-19 x 6½	1-20½ x 63½ 1-20½ x 15½	1-20½ x 7	1-17 13/16 x 62 5/16 1-17 13/16 x 13 13/16	1-17 13/16 x 5 5/16

Door & Drawer Front Sizes

Cabinet	HALF OVERLAY		FULL OVERLAY		INSET	
	Door	Drawer Front	Door	Drawer Front	Door	Drawer Front
DUB2196-R-L	1-19 x 66½ 1-19 x 15	1-19 x 6½	1-20½ x 66½ 1-20½ x 15½	1-20½ x 7	1-17 13/16 x 65 5/16 1-17 13/16 x 13 13/16	1-17 13/16 x 5 5/16
DUF1584-R-L	1-13 x 54½ 1-13 x 22		1-14½ x 54½ 1-14½ x 23		1-11 13/16 x 53 5/16 1-11 13/16 x 20 13/16	
DUF1587-R-L	1-13 x 57½ 1-13 x 22		1-14½ x 57½ 1-14½ x 23		1-11 13/16 x 56 5/16 1-11 13/16 x 20 13/16	
DUF1590-R-L	1-13 x 60½ 1-13 x 22		1-14½ x 60½ 1-14½ x 23		1-11 13/16 x 59 5/16 1-11 13/16 x 20 13/16	
DUF1593-R-L	1-13 x 63½ 1-13 x 22		1-14½ x 63½ 1-14½ x 23		1-11 13/16 x 62 5/16 1-11 13/16 x 20 13/16	
DUF1596-R-L	1-13 x 66½ 1-13 x 22		1-14½ x 66½ 1-14½ x 23		1-11 13/16 x 65 5/16 1-11 13/16 x 20 13/16	
DUF1884-R-L	1-16 x 54½ 1-16 x 22		1-17½ x 54½ 1-17½ x 23		1-14 13/16 x 53 5/16 1-14 13/16 x 20 13/16	
DUF1887-R-L	1-16 x 57½ 1-16 x 22		1-17½ x 57½ 1-17½ x 23		1-14 13/16 x 56 5/16 1-14 13/16 x 20 13/16	
DUF1890-R-L	1-16 x 60½ 1-16 x 22		1-17½ x 60½ 1-17½ x 23		1-14 13/16 x 59 5/16 1-14 13/16 x 20 13/16	
DUF1893-R-L	1-16 x 63½ 1-16 x 22		1-17½ x 63½ 1-17½ x 23		1-14 13/16 x 62 5/16 1-14 13/16 x 20 13/16	
DUF1896-R-L	1-16 x 66½ 1-16 x 22		1-17½ x 66½ 1-17½ x 23		1-14 13/16 x 65 5/16 1-14 13/16 x 20 13/16	
DUF2184-R-L	1-19 x 54½ 1-19 x 22		1-20½ x 54½ 1-20½ x 23		1-17 13/16 x 53 5/16 1-17 13/16 x 20 13/16	
DUF2187-R-L	1-19 x 57½ 1-19 x 22		1-20½ x 57½ 1-20½ x 23		1-17 13/16 x 56 5/16 1-17 13/16 x 20 13/16	
DUF2190-R-L	1-19 x 60½ 1-19 x 22		1-20½ x 60½ 1-20½ x 23		1-17 13/16 x 59 5/16 1-17 13/16 x 20 13/16	
DUF2193-R-L	1-19 x 63½ 1-19 x 22		1-20½ x 63½ 1-20½ x 23		1-17 13/16 x 62 5/16 1-17 13/16 x 20 13/16	
DUF2196-R-L	1-19 x 66½ 1-19 x 22		1-20½ x 66½ 1-20½ x 23		1-17 13/16 x 65 5/16 1-17 13/16 x 20 13/16	
DW2418 B	4 - 10 15/16 x 16		4 - 11 11/16 x 16½		4 - 10 3/8 x 14 13/16	
DW2421 B	4 - 10 15/16 x 19		4 - 11 11/16 x 19½		4 - 10 3/8 x 17 13/16	
DW2424 B	4 - 10 15/16 x 22		4 - 11 11/16 x 22½		4 - 10 3/8 x 20 13/16	
DW2427 B	4 - 10 15/16 x 25		4 - 11 11/16 x 25½		4 - 10 3/8 x 23 13/16	
DW2430 B	4 - 10 15/16 x 28		4 - 11 11/16 x 28½		4 - 10 3/8 x 26 13/16	
DW2433 B	4 - 10 15/16 x 31		4 - 11 11/16 x 31½		4 - 10 3/8 x 29 13/16	
DW2436 B	4 - 10 15/16 x 34		4 - 11 11/16 x 34½		4 - 10 3/8 x 32 13/16	
DW2439 B	4 - 10 15/16 x 37		4 - 11 11/16 x 37½		4 - 10 3/8 x 35 13/16	
DW2442 B	4 - 10 15/16 x 40		4 - 11 11/16 x 40½		4 - 10 3/8 x 38 13/16	
DW2718 B	4 - 12 7/16 x 16		4 - 13 3/16 x 16½		4 - 11 7/8 x 14 13/16	
DW2721 B	4 - 12 7/16 x 19		4 - 13 3/16 x 19½		4 - 11 7/8 x 17 13/16	
DW2724 B	4 - 12 7/16 x 22		4 - 13 3/16 x 22½		4 - 11 7/8 x 20 13/16	
DW2727 B	4 - 12 7/16 x 25		4 - 13 3/16 x 25½		4 - 11 7/8 x 23 13/16	
DW2730 B	4 - 12 7/16 x 28		4 - 13 3/16 x 28½		4 - 11 7/8 x 26 13/16	
DW2733 B	4 - 12 7/16 x 31		4 - 13 3/16 x 31½		4 - 11 7/8 x 29 13/16	

Door & Drawer Front Sizes

PREFERRED
BY KARMAN

Cabinet	HALF OVERLAY		FULL OVERLAY		INSET	
	Door	Drawer Front	Door	Drawer Front	Door	Drawer Front
DW2736 B	4 - 12 7/16 x 34		4 - 13 3/16 x 34 1/2		4 - 11 7/8 x 32 13/16	
DW2739 B	4 - 12 7/16 x 37		4 - 13 3/16 x 37 1/2		4 - 11 7/8 x 35 13/16	
DW2742 B	4 - 12 7/16 x 40		4 - 13 3/16 x 40 1/2		4 - 11 7/8 x 38 13/16	
DW3018 B	4 - 13 15/16 x 16		4 - 14 11/16 x 16 1/2		4 - 13 3/8 x 14 13/16	
DW3021 B	4 - 13 15/16 x 19		4 - 14 11/16 x 19 1/2		4 - 13 3/8 x 17 13/16	
DW3024 B	4 - 13 15/16 x 22		4 - 14 11/16 x 22 1/2		4 - 13 3/8 x 20 13/16	
DW3027 B	4 - 13 15/16 x 25		4 - 14 11/16 x 25 1/2		4 - 13 3/8 x 23 13/16	
DW3030 B	4 - 13 15/16 x 28		4 - 14 11/16 x 28 1/2		4 - 13 3/8 x 26 13/16	
DW3036 B	4 - 13 15/16 x 34		4 - 14 11/16 x 34 1/2		4 - 13 3/8 x 32 13/16	
DW3039 B	4 - 13 15/16 x 37		4 - 14 11/16 x 37 1/2		4 - 13 3/8 x 35 13/16	
DW3042 B	4 - 13 15/16 x 40		4 - 14 11/16 x 40 1/2		4 - 13 3/8 x 38 13/16	
DW3318 B	4 - 15 7/16 x 16		4 - 16 3/16 x 16 1/2		4 - 14 7/8 x 14 13/16	
DW3321 B	4 - 15 7/16 x 19		4 - 16 3/16 x 19 1/2		4 - 14 7/8 x 17 13/16	
DW3324 B	4 - 15 7/16 x 22		4 - 16 3/16 x 22 1/2		4 - 14 7/8 x 20 13/16	
DW3327 B	4 - 15 7/16 x 25		4 - 16 3/16 x 25 1/2		4 - 14 7/8 x 23 13/16	
DW3330 B	4 - 15 7/16 x 28		4 - 16 3/16 x 28 1/2		4 - 14 7/8 x 26 13/16	
DW3333 B	4 - 15 7/16 x 31		4 - 16 3/16 x 31 1/2		4 - 14 7/8 x 29 13/16	
DW3336 B	4 - 15 7/16 x 34		4 - 16 3/16 x 34 1/2		4 - 14 7/8 x 32 13/16	
DW3339 B	4 - 15 7/16 x 37		4 - 16 3/16 x 37 1/2		4 - 14 7/8 x 35 13/16	
DW3342 B	4 - 15 7/16 x 40		4 - 16 3/16 x 40 1/2		4 - 14 7/8 x 38 13/16	
DW3618 B	4 - 16 15/16 x 16		4 - 17 11/16 x 16 1/2		4 - 16 3/8 x 14 13/16	
DW3621 B	4 - 16 15/16 x 19		4 - 17 11/16 x 19 1/2		4 - 16 3/8 x 17 13/16	
DW3624 B	4 - 16 15/16 x 22		4 - 17 11/16 x 22 1/2		4 - 16 3/8 x 20 13/16	
DW3627 B	4 - 16 15/16 x 25		4 - 17 11/16 x 25 1/2		4 - 16 3/8 x 23 13/16	
DW3630 B	4 - 16 15/16 x 28		4 - 17 11/16 x 28 1/2		4 - 16 3/8 x 26 13/16	
DW3633 B	4 - 16 15/16 x 31		4 - 17 11/16 x 31 1/2		4 - 16 3/8 x 29 13/16	
DW3636 B	4 - 16 15/16 x 34		4 - 17 11/16 x 34 1/2		4 - 16 3/8 x 32 13/16	
DW3639 B	4 - 16 15/16 x 37		4 - 17 11/16 x 37 1/2		4 - 16 3/8 x 35 13/16	
DW3642 B	4 - 16 15/16 x 40		4 - 17 11/16 x 40 1/2		4 - 16 3/8 x 38 13/16	
DW3918 B	4 - 18 7/16 x 16		4 - 19 3/16 x 16 1/2		4 - 17 7/8 x 14 13/16	
DW3921 B	4 - 18 7/16 x 19		4 - 19 3/16 x 19 1/2		4 - 17 7/8 x 17 13/16	
DW3924 B	4 - 18 7/16 x 22		4 - 19 3/16 x 22 1/2		4 - 17 7/8 x 20 13/16	
DW3927 B	4 - 18 7/16 x 25		4 - 19 3/16 x 25 1/2		4 - 17 7/8 x 23 13/16	
DW3930 B	4 - 18 7/16 x 28		4 - 19 3/16 x 28 1/2		4 - 17 7/8 x 26 13/16	
DW3933 B	4 - 18 7/16 x 31		4 - 19 3/16 x 31 1/2		4 - 17 7/8 x 29 13/16	
DW3936 B	4 - 18 7/16 x 34		4 - 19 3/16 x 34 1/2		4 - 17 7/8 x 32 13/16	
DW3939 B	4 - 18 7/16 x 37		4 - 19 3/16 x 37 1/2		4 - 17 7/8 x 35 13/16	
DW3942 B	4 - 18 7/16 x 40		4 - 19 3/16 x 40 1/2		4 - 17 7/8 x 38 13/16	
DW4218 B	4 - 19 15/16 x 16		4 - 20 11/16 x 16 1/2		4 - 19 3/8 x 14 13/16	
DW4221 B	4 - 19 15/16 x 19		4 - 20 11/16 x 19 1/2		4 - 19 3/8 x 17 13/16	
DW4224 B	4 - 19 15/16 x 22		4 - 20 11/16 x 22 1/2		4 - 19 3/8 x 20 13/16	
DW4227 B	4 - 19 15/16 x 25		4 - 20 11/16 x 25 1/2		4 - 19 3/8 x 23 13/16	
DW4230 B	4 - 19 15/16 x 28		4 - 20 11/16 x 28 1/2		4 - 19 3/8 x 26 13/16	
DW4233 B	4 - 19 15/16 x 31		4 - 20 11/16 x 31 1/2		4 - 19 3/8 x 29 13/16	
DW4236 B	4 - 19 15/16 x 34		4 - 20 11/16 x 34 1/2		4 - 19 3/8 x 32 13/16	
DW4239 B	4 - 19 15/16 x 37		4 - 20 11/16 x 37 1/2		4 - 19 3/8 x 35 13/16	
DW4242 B	4 - 19 15/16 x 40		4 - 20 11/16 x 40 1/2		4 - 19 3/8 x 38 13/16	

Door & Drawer Front Sizes

Cabinet	HALF OVERLAY		FULL OVERLAY		INSET	
	Door	Drawer Front	Door	Drawer Front	Door	Drawer Front
DW4518 B	4 - 217/16 x 16		4 - 223/16 x 16½		4 - 207/8 x 14 13/16	
DW4521 B	4 - 217/16 x 19		4 - 223/16 x 19½		4 - 207/8 x 17 13/16	
DW4524 B	4 - 217/16 x 22		4 - 223/16 x 22½		4 - 207/8 x 20 13/16	
DW4527 B	4 - 217/16 x 25		4 - 223/16 x 25½		4 - 207/8 x 20 13/16	
DW4530 B	4 - 217/16 x 28		4 - 223/16 x 28½		4 - 207/8 x 23 13/16	
DW4533 B	4 - 217/16 x 31		4 - 223/16 x 31½		4 - 207/8 x 26 13/16	
DW4536 B	4 - 217/16 x 34		4 - 223/16 x 34½		4 - 207/8 x 32 13/16	
DW4539 B	4 - 217/16 x 37		4 - 223/16 x 37½		4 - 207/8 x 35 13/16	
DW4542 B	4 - 217/16 x 40		4 - 223/16 x 40½		4 - 207/8 x 38 13/16	
DW4818 B	4 - 22 15/16 x 16		4 - 23 11/16 x 16½		4 - 22 3/8 x 14 13/16	
DW4821 B	4 - 22 15/16 x 19		4 - 23 11/16 x 19½		4 - 22 3/8 x 17 13/16	
DW4824 B	4 - 22 15/16 x 22		4 - 23 11/16 x 22½		4 - 22 3/8 x 20 13/16	
DW4827 B	4 - 22 15/16 x 25		4 - 23 11/16 x 25½		4 - 22 3/8 x 23 13/16	
DW4830 B	4 - 22 15/16 x 28		4 - 23 11/16 x 28½		4 - 22 3/8 x 26 13/16	
DW4833 B	4 - 22 15/16 x 31		4 - 23 11/16 x 31½		4 - 22 3/8 x 29 13/16	
DW4836 B	4 - 22 15/16 x 34		4 - 23 11/16 x 34½		4 - 22 3/8 x 32 13/16	
DW4839 B	4 - 22 15/16 x 37		4 - 23 11/16 x 37½		4 - 22 3/8 x 35 13/16	
DW4842 B	4 - 22 15/16 x 40		4 - 23 11/16 x 40½		4 - 22 3/8 x 38 13/16	
DWB2424 R-L	1 - 10 x 22 2 - 10 15/16 x 22		1 - 11½ x 22½ 2 - 11 11/16 x 22½		1 - 7 13/16 x 20 13/16 2 - 10 3/8 x 20 13/16	
DWB2427 R-L	1 - 10 x 25 2 - 10 15/16 x 25		1 - 11½ x 25½ 2 - 11 11/16 x 25½		1 - 7 13/16 x 23 13/16 2 - 10 3/8 x 23 13/16	
DWB2430 R-L	1 - 10 x 28 2 - 10 15/16 x 28		1 - 11½ x 28½ 2 - 11 11/16 x 28½		1 - 7 13/16 x 26 13/16 2 - 10 3/8 x 26 13/16	
DWB2433 R-L	1 - 10 x 31 2 - 10 15/16 x 31		1 - 11½ x 31½ 2 - 11 11/16 x 31½		1 - 7 13/16 x 29 13/16 2 - 10 3/8 x 29 13/16	
DWB2436 R-L	1 - 10 x 34 2 - 10 15/16 x 34		1 - 11½ x 34½ 2 - 11 11/16 x 34½		1 - 7 13/16 x 32 13/16 2 - 10 3/8 x 32 13/16	
DWB2439 R-L	1 - 10 x 37 2 - 10 15/16 x 37		1 - 11½ x 37½ 2 - 11 11/16 x 37½		1 - 7 13/16 x 35 13/16 2 - 10 3/8 x 35 13/16	
DWB2442 R-L	1 - 10 x 40 2 - 10 15/16 x 40		1 - 11½ x 40½ 2 - 11 11/16 x 40½		1 - 7 13/16 x 38 13/16 2 - 10 3/8 x 38 13/16	
DWB3024 R-L	1 - 16 x 22 2 - 13 15/16 x 22		1 - 17½ x 22½ 2 - 14 11/16 x 22½		1 - 13 13/16 x 20 13/16 2 - 13 3/8 x 20 13/16	
DWB3027 R-L	1 - 16 x 25 2 - 13 15/16 x 25		1 - 17½ x 25½ 2 - 14 11/16 x 25½		1 - 13 13/16 x 23 13/16 2 - 13 3/8 x 23 13/16	
DWB3030 R-L	1 - 16 x 28 2 - 13 15/16 x 28		1 - 17½ x 28½ 2 - 14 11/16 x 28½		1 - 13 13/16 x 26 13/16 2 - 13 3/8 x 26 13/16	
DWB3033 R-L	1 - 16 x 31 2 - 13 15/16 x 31		1 - 17½ x 31½ 2 - 14 11/16 x 31½		1 - 13 13/16 x 29 13/16 2 - 13 3/8 x 29 13/16	
DWB3036 R-L	1 - 16 x 34 2 - 13 15/16 x 34		1 - 17½ x 34½ 2 - 14 11/16 x 34½		1 - 13 13/16 x 32 13/16 2 - 13 3/8 x 32 13/16	
DWB3039 R-L	1 - 16 x 37 2 - 13 15/16 x 37		1 - 17½ x 37½ 2 - 14 11/16 x 37½		1 - 13 13/16 x 35 13/16 2 - 13 3/8 x 35 13/16	
DWB3042 R-L	1 - 16 x 40 2 - 13 15/16 x 40		1 - 17½ x 40½ 2 - 14 11/16 x 40½		1 - 13 13/16 x 38 13/16 2 - 13 3/8 x 38 13/16	

Door & Drawer Front Sizes

PREFERRED
BY KARMAN

Cabinet	HALF OVERLAY		FULL OVERLAY		INSET	
	Door	Drawer Front	Door	Drawer Front	Door	Drawer Front
DWB3624 R-L	1- 22 x 22		1- 23½ x 22½		1- 19 13/16 x 19 13/16	
	2- 16 15/16 x 22		2- 17 11/16 x 22½		2- 16 3/8 x 19 13/16	
DWB3627 R-L	1- 22 x 25		1- 23½ x 25½		1- 19 13/16 x 23 13/16	
	2- 16 15/16 x 25		2- 17 11/16 x 25½		2- 16 3/8 x 23 13/16	
DWB3630 R-L	1- 22 x 28		1- 23½ x 28½		1- 19 13/16 x 26 13/16	
	2- 16 15/16 x 28		2- 17 11/16 x 28½		2- 16 3/8 x 26 13/16	
DWB3633 R-L	1- 22 x 31		1- 23½ x 31½		1- 19 13/16 x 29 13/16	
	2- 16 15/16 x 31		2- 17 11/16 x 31½		2- 16 3/8 x 29 13/16	
DWB3636 R-L	1- 22 x 34		1- 23½ x 34½		1- 19 13/16 x 32 13/16	
	2- 16 15/16 x 34		2- 17 11/16 x 34½		2- 16 3/8 x 32 13/16	
DWB3639 R-L	1- 22 x 37		1- 23½ x 37½		1- 19 13/16 x 35 13/16	
	2- 16 15/16 x 37		2- 17 11/16 x 37½		2- 16 3/8 x 35 13/16	
DWB3642 R-L	1- 22 x 40		1- 23½ x 40½		1- 19 13/16 x 38 13/16	
	2- 16 15/16 x 40		2- 17 11/16 x 40½		2- 16 3/8 x 38 13/16	
DWB3624B R-L	2- 10 15/16 x 22		2- 11 1/16 x 22½		2- 9 7/8 x 20 13/16	
	2- 16 15/16 x 22		2- 17 11/16 x 22½		2- 16 3/8 x 20 13/16	
DWB3627B R-L	2- 10 15/16 x 25		2- 11 1/16 x 25½		2- 9 7/8 x 23 13/16	
	2- 16 15/16 x 25		2- 17 11/16 x 25½		2- 16 3/8 x 23 13/16	
DWB3630B R-L	2- 10 15/16 x 28		2- 11 1/16 x 28½		2- 9 7/8 x 26 13/16	
	2- 16 15/16 x 28		2- 17 11/16 x 28½		2- 16 3/8 x 26 13/16	
DWB3633B R-L	2- 10 15/16 x 31		2- 11 1/16 x 31½		2- 9 7/8 x 29 13/16	
	2- 16 15/16 x 31		2- 17 11/16 x 31½		2- 16 3/8 x 29 13/16	
DWB3636B R-L	2- 10 15/16 x 34		2- 11 1/16 x 34½		2- 9 7/8 x 32 13/16	
	2- 16 15/16 x 34		2- 17 11/16 x 34½		2- 16 3/8 x 32 13/16	
DWB3639B R-L	2- 10 15/16 x 37		2- 11 1/16 x 37½		2- 9 7/8 x 35 13/16	
	2- 16 15/16 x 37		2- 17 11/16 x 37½		2- 16 3/8 x 35 13/16	
DWB3642B R-L	2- 10 15/16 x 40		2- 11 1/16 x 40½		2- 9 7/8 x 38 13/16	
	2- 16 15/16 x 40		2- 17 11/16 x 40½		2- 16 3/8 x 38 13/16	
DWB4224B R-L	2- 13 15/16 x 22		2- 14 11/16 x 22½		2- 12 7/8 x 20 13/16	
	2- 19 15/16 x 22		2- 20 11/16 x 22½		2- 19 3/8 x 20 13/16	
DWB4227B R-L	2- 13 15/16 x 25		2- 14 11/16 x 25½		2- 12 7/8 x 23 13/16	
	2- 19 15/16 x 25		2- 20 11/16 x 25½		2- 19 3/8 x 23 13/16	
DWB4230B R-L	2- 13 15/16 x 28		2- 14 11/16 x 28½		2- 12 7/8 x 26 13/16	
	2- 19 15/16 x 28		2- 20 11/16 x 28½		2- 19 3/8 x 26 13/16	
DWB4233B R-L	2- 13 15/16 x 31		2- 14 11/16 x 31½		2- 12 7/8 x 29 13/16	
	2- 19 15/16 x 31		2- 20 11/16 x 31½		2- 19 3/8 x 29 13/16	
DWB4236B R-L	2- 13 15/16 x 34		2- 14 11/16 x 34½		2- 12 7/8 x 32 13/16	
	2- 19 15/16 x 34		2- 20 11/16 x 34½		2- 19 3/8 x 32 13/16	
DWB4239B R-L	2- 13 15/16 x 37		2- 14 11/16 x 37½		2- 12 7/8 x 35 13/16	
	2- 19 15/16 x 37		2- 20 11/16 x 37½		2- 19 3/8 x 35 13/16	
DWB4242B R-L	2- 13 15/16 x 40		2- 14 11/16 x 40½		2- 12 7/8 x 38 13/16	
	2- 19 15/16 x 40		2- 20 11/16 x 40½		2- 19 3/8 x 38 13/16	
FHRB24 R-L	1- 22 x 20½		1- 23½ x 21		1- 20 13/16 x 19 5/16	
FHRB24B	2- 10 15/16 x 20½		2- 11 1/16 x 21		2- 10 3/8 x 19 5/16	
FHRB27B	2- 12 7/16 x 20½		2- 13 3/16 x 21		2- 11 7/8 x 19 5/16	
FHRB30B	2- 13 15/16 x 20½		2- 14 11/16 x 21		2- 13 3/8 x 19 5/16	
FHRB33B	2- 15 7/16 x 20½		2- 16 3/16 x 21		2- 14 7/8 x 19 5/16	

Door & Drawer Front Sizes

Cabinet	HALF OVERLAY		FULL OVERLAY		INSET	
	Door	Drawer Front	Door	Drawer Front	Door	Drawer Front
FHRB36B	2 - 16 15/16 x 20 1/2		2 - 17 11/16 x 21		2 - 16 3/8 x 19 5/16	
FHRB39B	2 - 18 7/16 x 20 1/2		2 - 19 3/16 x 21		2 - 17 7/8 x 19 5/16	
FHRB42B	2 - 19 15/16 x 20 1/2		2 - 20 11/16 x 21		2 - 19 3/8 x 19 5/16	
FHRB45B	2 - 21 7/16 x 20 1/2		2 - 22 3/16 x 21		2 - 20 7/8 x 19 5/16	
FHRB48B	2 - 22 15/16 x 20 1/2		2 - 23 11/16 x 21		2 - 22 3/8 x 19 5/16	
FHRB51B R-L	1 - 16 x 20 1/2 2 - 15 7/16 x 20 1/2		1 - 17 1/2 x 21 2 - 16 3/16 x 21		1 - 14 13/16 x 19 5/16 2 - 14 7/8 x 19 5/16	
FHRBD36		2 - 34 x 10		2 - 35 1/2 x 10 1/2		2 - 32 13/16 x 8 13/16
FHRBD39		2 - 37 x 10		2 - 38 1/2 x 10 1/2		2 - 35 13/16 x 8 13/16
FHRBD42		2 - 40 x 10		2 - 41 1/2 x 10 1/2		2 - 38 13/16 x 8 13/16
FHRBD45		2 - 43 x 10		2 - 44 1/2 x 10 1/2		2 - 41 13/16 x 8 13/16
FHRBD48		2 - 46 x 10		2 - 47 1/2 x 10 1/2		2 - 44 13/16 x 8 13/16
FHRBD51		4 - 23 1/2 x 10		4 - 25 x 10 1/2		4 - 22 5/16 x 8 13/16
FHSB24 R-L	1 - 22 x 18		1 - 23 1/2 x 18 1/2		1 - 20 13/16 x 16 13/16	
FHSB24B	2 - 10 15/16 x 18		2 - 11 11/16 x 18 1/2		2 - 10 3/8 x 16 13/16	
FHSB27B	2 - 12 7/16 x 18		2 - 13 3/16 x 18 1/2		2 - 11 7/8 x 16 13/16	
FHSB30B	2 - 13 15/16 x 18		2 - 14 11/16 x 18 1/2		2 - 13 3/8 x 16 13/16	
FHSB33B	2 - 15 7/16 x 18		2 - 16 3/16 x 18 1/2		2 - 14 7/8 x 16 13/16	
FHSB36B	2 - 16 15/16 x 18		2 - 17 11/16 x 18 1/2		2 - 16 3/8 x 16 13/16	
FHSB39B	2 - 18 7/16 x 18		2 - 19 3/16 x 18 1/2		2 - 17 7/8 x 16 13/16	
FHSB42B	2 - 19 15/16 x 18		2 - 20 11/16 x 18 1/2		2 - 19 3/8 x 16 13/16	
FHSB45B	2 - 21 7/16 x 18		2 - 22 3/16 x 18 1/2		2 - 20 7/8 x 16 13/16	
FHSB48B	2 - 22 15/16 x 18		2 - 23 11/16 x 18 1/2		2 - 22 3/8 x 16 13/16	
I24BIL		1 - 16 1/2 x 5 5/16		1 - 18 x 5 5/16		2 - 15 5/16 x 3 13/16
I24FIL		1 - 16 1/2 x 5 5/16		1 - 18 x 5 5/16		2 - 15 5/16 x 3 13/16
I24RIL		1 - 16 1/2 x 5 5/16		1 - 18 x 5 5/16		2 - 15 5/16 x 3 13/16
I24SIL		1 - 16 1/2 x 5 5/16		1 - 18 x 5 5/16		1 - 15 5/16 x 3 13/16
I24TIL		1 - 16 1/2 x 5 5/16		1 - 18 x 5 5/16		2 - 15 5/16 x 3 13/16
I30BIL		1 - 22 1/2 x 5 5/16		1 - 24 x 5 5/16		2 - 21 5/16 x 3 13/16
I30FIL		1 - 22 1/2 x 5 5/16		1 - 24 x 5 5/16		2 - 21 5/16 x 3 13/16
I30RIL		1 - 22 1/2 x 5 5/16		1 - 24 x 5 5/16		2 - 21 5/16 x 3 13/16
I30SIL		1 - 22 1/2 x 5 5/16		1 - 24 x 5 5/16		1 - 21 5/16 x 3 13/16
I30TIL		1 - 22 1/2 x 5 5/16		1 - 24 x 5 5/16		2 - 21 5/16 x 3 13/16
I36BIL		1 - 28 1/2 x 5 5/16		1 - 30 x 5 5/16		2 - 27 5/16 x 3 13/16
I36FIL		1 - 28 1/2 x 5 5/16		1 - 30 x 5 5/16		2 - 27 5/16 x 3 13/16
I36RIL		1 - 28 1/2 x 5 5/16		1 - 30 x 5 5/16		2 - 27 5/16 x 3 13/16
I36SIL		1 - 28 1/2 x 5 5/16		1 - 30 x 5 5/16		1 - 27 5/16 x 3 13/16
I36TIL		1 - 28 1/2 x 5 5/16		1 - 30 x 5 5/16		2 - 27 5/16 x 3 13/16
ICDD15		4 - 13 x 5 3/8		4 - 14 1/2 x 5 3/8		4 - 11 13/16 x 4 5/16
ICDD18		4 - 16 x 5 3/8		4 - 17 1/2 x 5 3/8		4 - 14 13/16 x 4 5/16
ICDD21		4 - 19 x 5 3/8		4 - 20 1/2 x 5 3/8		4 - 17 13/16 x 4 5/16
ICDD24		4 - 22 x 5 3/8		4 - 23 1/2 x 5 3/8		4 - 20 13/16 x 4 5/16
ICDU15 R-L	2 - 13 x 11		2 - 14 1/2 x 11		2 - 11 13/16 x 9 13/16	
ICDU18 R-L	2 - 16 x 11		2 - 17 1/2 x 11		2 - 14 13/16 x 9 13/16	
ICDU21 R-L	2 - 19 x 11		2 - 20 1/2 x 11		2 - 17 13/16 x 9 13/16	
ICSD15		2 - 13 x 11		2 - 14 1/2 x 11		2 - 11 13/16 x 9 13/16
ICSD18		2 - 16 x 11		2 - 17 1/2 x 11		2 - 14 13/16 x 9 13/16

Door & Drawer Front Sizes

PREFERRED
BY KARMAN

Cabinet	HALF OVERLAY		FULL OVERLAY		INSET	
	Door	Drawer Front	Door	Drawer Front	Door	Drawer Front
ICSD21		2-19x11		2-20½x11		2-17 13/16x9 13/16
ICSD24		2-22x11		2-23½x11		2-20 13/16x9 13/16
KDU24		1-22x6½		1-23½x7		1-20 13/16x5 7/8
KDU27		1-25x6½		1-26½x7		1-23 13/16x5 7/8
KDU30		1-28x6½		1-29½x7		1-26 13/16x5 7/8
KDU33		1-31x6½		1-32½x7		1-29 13/16x5 7/8
KDU36		1-34x6½		1-35½x7		1-32 13/16x5 7/8
KDU39		1-37x6½		1-39½x7		1-35 13/16x5 7/8
KDU42		1-40x6½		1-41½x7		1-38 13/16x5 7/8
LS36	2-10 7/8x27 5/8		2-10 7/8x27 5/8		2-10 7/8x27 5/8	
LSD36	1-15 1/8x28		1-15 1/8x29		1-13 1/16x26 13/16	
MB15	1-13x15	1-13x6½	1-14½x15½	1-14½x7	1-11 13/16x13 13/16	1-11 13/16x5 5/16
MOV2730B	2-12 7/16x10		2-13 3/16x10½		2-11 7/8x8 13/16	
MOV2733B	2-12 7/16x11½		2-13 3/16x12		2-11 7/8x10 5/16	
MOV2736B	2-12 7/16x14½		2-13 3/16x15		2-11 7/8x13 5/16	
MOV2739B	2-12 7/16x17½		2-13 3/16x18		2-11 7/8x16 5/16	
MOV2742B	2-12 7/16x20½		2-13 3/16x21		2-11 7/8x19 5/16	
MOV3030B	2-13 15/16x10		2-14 11/16x10½		2-13 3/8x8 13/16	
MOV3033B	2-13 15/16x11½		2-14 11/16x12		2-13 3/8x10 5/16	
MOV3036B	2-13 15/16x14½		2-14 11/16x15		2-13 3/8x13 5/16	
MOV3039B	2-13 15/16x17½		2-14 11/16x18		2-13 3/8x16 5/16	
MOV3042B	2-13 15/16x20½		2-14 11/16x21		2-13 3/8x19 5/16	
MOVT2730-21B	2-12 7/16x8½		2-13 3/16x9		2-11 7/8x7 5/16	
MOVT2733-21B	2-12 7/16x11		2-13 3/16x11½		2-11 7/8x9 13/16	
MOVT2736-21B	2-12 7/16x14		2-13 3/16x14½		2-11 7/8x12 13/16	
MOVT2739-21B	2-12 7/16x17		2-13 3/16x17½		2-11 7/8x15 13/16	
MOVT2742-21B	2-12 7/16x20		2-13 3/16x20½		2-11 7/8x18 13/16	
MOVT3030-21B	2-13 15/16x8½		2-14 11/16x9		2-13 3/8x7 5/16	
MOVT3033-21B	2-13 15/16x11		2-14 11/16x11½		2-13 3/8x9 13/16	
MOVT3036-21B	2-13 15/16x14		2-14 11/16x14½		2-13 3/8x12 13/16	
MOVT3039-21B	2-13 15/16x17		2-14 11/16x17½		2-13 3/8x15 13/16	
MOVT3042-21B	2-13 15/16x20		2-14 11/16x20½		2-13 3/8x18 13/16	
OCD2784	2-12 7/16x16	2-25x6½ 1-25x7	2-13 3/16x16½	1-26½x7 1-26½x6½ 1-26½x7½	2-11 7/8x14 13/16	2-23 13/16x5 5/16 1-23 13/16x5 13/16
OCD2787	2-12 7/16x19	2-25x6½ 1-25x7	2-13 3/16x19½	1-26½x7 1-26½x6½ 1-26½x7½	2-11 7/8x17 13/16	2-23 13/16x5 5/16 1-23 13/16x5 13/16
OCD2790	2-12 7/16x22	2-25x6½ 1-25x7	2-13 3/16x22½	1-26½x7 1-26½x6½ 1-26½x7½	2-11 7/8x20 13/16	2-23 13/16x5 5/16 1-23 13/16x5 13/16
OCD2793	2-12 7/16x25	2-25x6½ 1-25x7	2-13 3/16x25½	1-26½x7 1-26½x6½ 1-26½x7½	2-11 7/8x23 13/16	2-23 13/16x5 5/16 1-23 13/16x5 13/16
OCD2796	2-12 7/16x28	2-25x6½ 1-25x7	2-13 3/16x28½	1-26½x7 1-26½x6½ 1-26½x7½	2-11 7/8x26 13/16	2-23 13/16x5 5/16 1-23 13/16x5 13/16

Door & Drawer Front Sizes

Cabinet	HALF OVERLAY		FULL OVERLAY		INSET	
	Door	Drawer Front	Door	Drawer Front	Door	Drawer Front
OCD3084	2 - 13 15/16 x 16	2 - 28 x 6½ 1 - 28 x 7	2 - 14 11/16 x 16 ½	1 - 29½ x 7 1 - 29½ x 6½ 1 - 29½ x 7½	2 - 13 3/8 x 14 13/16	2 - 26 13/16 x 5 5/16 1 - 26 13/16 x 5 13/16
OCD3087	2 - 13 15/16 x 19	2 - 28 x 6½ 1 - 28 x 7	2 - 14 11/16 x 19 ½	1 - 29½ x 7 1 - 29½ x 6½ 1 - 29½ x 7½	2 - 13 3/8 x 17 13/16	2 - 26 13/16 x 5 5/16 1 - 26 13/16 x 5 13/16
OCD3090	2 - 13 15/16 x 22	2 - 28 x 6½ 1 - 28 x 7	2 - 14 11/16 x 22 ½	1 - 29½ x 7 1 - 29½ x 6½ 1 - 29½ x 7½	2 - 13 3/8 x 20 13/16	2 - 26 13/16 x 5 5/16 1 - 26 13/16 x 5 13/16
OCD3093	2 - 13 15/16 x 25	2 - 28 x 6½ 1 - 28 x 7	2 - 14 11/16 x 25 ½	1 - 29½ x 7 1 - 29½ x 6½ 1 - 29½ x 7½	2 - 13 3/8 x 23 13/16	2 - 26 13/16 x 5 5/16 1 - 26 13/16 x 5 13/16
OCD3096	2 - 13 15/16 x 28	2 - 28 x 6½ 1 - 28 x 7	2 - 14 11/16 x 28 ½	1 - 29½ x 7 1 - 29½ x 6½ 1 - 29½ x 7½	2 - 13 3/8 x 26 13/16	2 - 26 13/16 x 5 5/16 1 - 26 13/16 x 5 13/16
OCD3384	2 - 15 7/16 x 16	2 - 31 x 6½ 1 - 31 x 7	2 - 16 3/16 x 16 ½	1 - 32½ x 7 1 - 32½ x 6½ 1 - 32½ x 7½	2 - 14 7/8 x 14 13/16	2 - 29 13/16 x 5 5/16 1 - 29 13/16 x 5 13/16
OCD3387	2 - 15 7/16 x 19	2 - 31 x 6½ 1 - 31 x 7	2 - 16 3/16 x 19 ½	1 - 32½ x 7 1 - 32½ x 6½ 1 - 32½ x 7½	2 - 14 7/8 x 17 13/16	2 - 29 13/16 x 5 5/16 1 - 29 13/16 x 5 13/16
OCD3390	2 - 15 7/16 x 22	2 - 31 x 6½ 1 - 31 x 7	2 - 16 3/16 x 22 ½	1 - 32½ x 7 1 - 32½ x 6½ 1 - 32½ x 7½	2 - 14 7/8 x 20 13/16	2 - 29 13/16 x 5 5/16 1 - 29 13/16 x 5 13/16
OCD3393	2 - 15 7/16 x 25	2 - 31 x 6½ 1 - 31 x 7	2 - 16 3/16 x 25 ½	1 - 32½ x 7 1 - 32½ x 6½ 1 - 32½ x 7½	2 - 14 7/8 x 23 13/16	2 - 29 13/16 x 5 5/16 1 - 29 13/16 x 5 13/16
OCD3396	2 - 15 7/16 x 28	2 - 31 x 6½ 1 - 31 x 7	2 - 16 3/16 x 28 ½	1 - 32½ x 7 1 - 32½ x 6½ 1 - 32½ x 7½	2 - 14 7/8 x 26 13/16	2 - 29 13/16 x 5 5/16 1 - 29 13/16 x 5 13/16
OCDDBL2784	2 - 12 7/16 x 16	1 - 25 x 7	2 - 13 3/16 x 16 ½	1 - 26½ x 7½	2 - 11 7/8 x 14 13/16	1 - 23 13/16 x 5 13/16
OCDDBL2787	2 - 12 7/16 x 19	1 - 25 x 7	2 - 13 3/16 x 19 ½	1 - 26½ x 7½	2 - 11 7/8 x 17 13/16	1 - 23 13/16 x 5 13/16
OCDDBL2790	2 - 12 7/16 x 22	1 - 25 x 7	2 - 13 3/16 x 22 ½	1 - 26½ x 7½	2 - 11 7/8 x 20 13/16	1 - 23 13/16 x 5 13/16
OCDDBL2793	2 - 12 7/16 x 25	1 - 25 x 7	2 - 13 3/16 x 25 ½	1 - 26½ x 7½	2 - 11 7/8 x 23 13/16	1 - 23 13/16 x 5 13/16
OCDDBL2796	2 - 12 7/16 x 28	1 - 25 x 7	2 - 13 3/16 x 28 ½	1 - 26½ x 7½	2 - 11 7/8 x 26 13/16	1 - 23 13/16 x 5 13/16
OCDDBL3084	2 - 13 15/16 x 16	1 - 28 x 7	2 - 14 11/16 x 16 ½	1 - 29½ x 7½	2 - 13 3/8 x 14 13/16	1 - 26 13/16 x 5 13/16
OCDDBL3087	2 - 13 15/16 x 19	1 - 28 x 7	2 - 14 11/16 x 19 ½	1 - 29½ x 7½	2 - 13 3/8 x 17 13/16	1 - 26 13/16 x 5 13/16
OCDDBL3090	2 - 13 15/16 x 22	1 - 28 x 7	2 - 14 11/16 x 22 ½	1 - 29½ x 7½	2 - 13 3/8 x 20 13/16	1 - 26 13/16 x 5 13/16
OCDDBL3093	2 - 13 15/16 x 25	1 - 28 x 7	2 - 14 11/16 x 25 ½	1 - 29½ x 7½	2 - 13 3/8 x 23 13/16	1 - 26 13/16 x 5 13/16
OCDDBL3096	2 - 13 15/16 x 28	1 - 28 x 7	2 - 14 11/16 x 28 ½	1 - 29½ x 7½	2 - 13 3/8 x 26 13/16	1 - 26 13/16 x 5 13/16
OCDDBL3384	2 - 15 7/16 x 16	1 - 31 x 7	2 - 16 3/16 x 16 ½	1 - 32½ x 7½	2 - 14 7/8 x 14 13/16	1 - 29 13/16 x 5 13/16
OCDDBL3387	2 - 15 7/16 x 19	1 - 31 x 7	2 - 16 3/16 x 19 ½	1 - 32½ x 7½	2 - 14 7/8 x 17 13/16	1 - 29 13/16 x 5 13/16
OCDDBL3390	2 - 15 7/16 x 22	1 - 31 x 7	2 - 16 3/16 x 22 ½	1 - 32½ x 7½	2 - 14 7/8 x 20 13/16	1 - 29 13/16 x 5 13/16
OCDDBL3393	2 - 15 7/16 x 25	1 - 31 x 7	2 - 16 3/16 x 25 ½	1 - 32½ x 7½	2 - 14 7/8 x 23 13/16	1 - 29 13/16 x 5 13/16
OCDDBL3396	2 - 15 7/16 x 28	1 - 31 x 7	2 - 16 3/16 x 28 ½	1 - 32½ x 7½	2 - 14 7/8 x 26 13/16	1 - 29 13/16 x 5 13/16
OCDMOV2784B	2 - 12 7/16 x 16	1 - 25 x 7	2 - 13 3/16 x 16 ½	1 - 26½ x 7½	2 - 11 7/8 x 14 13/16	1 - 23 13/16 x 5 13/16
OCDMOV2787B	2 - 12 7/16 x 19	1 - 25 x 7	2 - 13 3/16 x 19 ½	1 - 26½ x 7½	2 - 11 7/8 x 17 13/16	1 - 23 13/16 x 5 13/16

Door & Drawer Front Sizes

PREFERRED
BY KARMAN

Cabinet	HALF OVERLAY		FULL OVERLAY		INSET	
	Door	Drawer Front	Door	Drawer Front	Door	Drawer Front
OCDMOV2790B	2-127/16 x 22	1-25 x 7	2-133/16 x 22½	1-26½ x 7½	2-117/8 x 20 13/16	1-23 13/16 x 5 13/16
OCDMOV2793B	2-127/16 x 25	1-25 x 7	2-133/16 x 25½	1-26½ x 7½	2-117/8 x 23 13/16	1-23 13/16 x 5 13/16
OCDMOV2796B	2-127/16 x 28	1-25 x 7	2-133/16 x 28½	1-26½ x 7½	2-117/8 x 26 13/16	1-23 13/16 x 5 13/16
OCDMOV3084B	2-13 15/16 x 16	1-28 x 7	2-14 11/16 x 16½	1-29½ x 7½	2-13 3/8 x 14 13/16	1-26 13/16 x 5 13/16
OCDMOV3087B	2-13 15/16 x 19	1-28 x 7	2-14 11/16 x 19½	1-29½ x 7½	2-13 3/8 x 17 13/16	1-26 13/16 x 5 13/16
OCDMOV3090B	2-13 15/16 x 22	1-28 x 7	2-14 11/16 x 22½	1-29½ x 7½	2-13 3/8 x 20 13/16	1-26 13/16 x 5 13/16
OCDMOV3093B	2-13 15/16 x 25	1-28 x 7	2-14 11/16 x 25½	1-29½ x 7½	2-13 3/8 x 23 13/16	1-26 13/16 x 5 13/16
OCDMOV3096B	2-13 15/16 x 28	1-28 x 7	2-14 11/16 x 28½	1-29½ x 7½	2-13 3/8 x 26 13/16	1-26 13/16 x 5 13/16
OCDMOV3384B	2-15 7/16 x 16	1-31 x 7	2-16 3/16 x 16½	1-32½ x 7½	2-14 7/8 x 14 13/16	1-29 13/16 x 5 13/16
OCDMOV3387B	2-15 7/16 x 19	1-31 x 7	2-16 3/16 x 19½	1-32½ x 7½	2-14 7/8 x 17 13/16	1-29 13/16 x 5 13/16
OCDMOV3390B	2-15 7/16 x 22	1-31 x 7	2-16 3/16 x 22½	1-32½ x 7½	2-14 7/8 x 20 13/16	1-29 13/16 x 5 13/16
OCDMOV3393B	2-15 7/16 x 25	1-31 x 7	2-16 3/16 x 25½	1-32½ x 7½	2-14 7/8 x 23 13/16	1-29 13/16 x 5 13/16
OCDMOV3396B	2-15 7/16 x 28	1-31 x 7	2-16 3/16 x 28½	1-32½ x 7½	2-14 7/8 x 26 13/16	1-29 13/16 x 5 13/16
PADS3684	2-16 15/16 x 28 2-16 15/16 x 48½		2-17 11/16 x 28½ 2-17 11/16 x 49		2-16 3/8 x 26 13/16 2-16 3/8 x 47 5/16	
PADS3687	2-16 15/16 x 31 2-16 15/16 x 48½		2-17 11/16 x 31½ 2-17 11/16 x 49		2-16 3/8 x 29 13/16 2-16 3/8 x 47 5/16	
PADS3690	2-16 15/16 x 34 2-16 15/16 x 48½		2-17 11/16 x 34½ 2-17 11/16 x 49		2-16 3/8 x 32 13/16 2-16 3/8 x 47 5/16	
PADS3693	2-16 15/16 x 37 2-16 15/16 x 48½		2-17 11/16 x 37½ 2-17 11/16 x 49		2-16 3/8 x 35 13/16 2-16 3/8 x 47 5/16	
PADS3696B	2-16 15/16 x 40 2-16 15/16 x 48½		2-17 11/16 x 40½ 2-17 11/16 x 49		2-16 3/8 x 38 13/16 2-16 3/8 x 47 5/16	
PB1284-24 R-L	1-10 x 19 1-10 x 57½		1-11½ x 19½ 1-11½ x 58		1-8 13/16 x 17 13/16 1-8 13/16 x 56 5/16	
PB1287-24 R-L	1-10 x 22 1-10 x 57½		1-11½ x 22½ 1-11½ x 58		1-8 13/16 x 20 13/16 1-8 13/16 x 56 5/16	
PB1290-24 R-L	1-10 x 25 1-10 x 57½		1-11½ x 25½ 1-11½ x 58		1-8 13/16 x 23 13/16 1-8 13/16 x 56 5/16	
PB1293-24 R-L	1-10 x 28 1-10 x 57½		1-11½ x 28½ 1-11½ x 58		1-8 13/16 x 26 13/16 1-8 13/16 x 56 5/16	
PB1296-24 R-L	1-10 x 31 1-10 x 57½		1-11½ x 31½ 1-11½ x 58		1-8 13/16 x 29 13/16 1-8 13/16 x 56 5/16	
PB1584-24 R-L	1-13 x 19 1-13 x 57½		1-14½ x 19½ 1-14½ x 58		1-11 13/16 x 17 13/16 1-11 13/16 x 56 5/16	
PB1587-24 R-L	1-13 x 22 1-13 x 57½		1-14½ x 22½ 1-14½ x 58		1-11 13/16 x 20 13/16 1-11 13/16 x 56 5/16	
PB1590-24 R-L	1-13 x 25 1-13 x 57½		1-14½ x 25½ 1-14½ x 58		1-11 13/16 x 23 13/16 1-11 13/16 x 56 5/16	
PB1593-24 R-L	1-13 x 28 1-13 x 57½		1-14½ x 28½ 1-14½ x 58		1-11 13/16 x 26 13/16 1-11 13/16 x 56 5/16	
PB1596-24 R-L	1-13 x 31 1-13 x 57½		1-14½ x 31½ 1-14½ x 58		1-11 13/16 x 29 13/16 1-11 13/16 x 56 5/16	
PB1884-24 R-L	1-16 x 19 1-16 x 57½		1-17½ x 19½ 1-17½ x 58		1-14 13/16 x 17 13/16 1-14 13/16 x 56 5/16	
PB1887-24 R-L	1-16 x 22 1-16 x 57½		1-17½ x 22½ 1-17½ x 58		1-14 13/16 x 20 13/16 1-14 13/16 x 56 5/16	

Door & Drawer Front Sizes

Cabinet	HALF OVERLAY		FULL OVERLAY		INSET	
	Door	Drawer Front	Door	Drawer Front	Door	Drawer Front
PB1890-24 R-L	1-16 x 25		1-17½ x 25½		1-14 13/16 x 23 13/16	
	1-16 x 57½		1-17½ x 58		1-14 13/16 x 56 5/16	
PB1893-24 R-L	1-16 x 28		1-17½ x 28½		1-14 13/16 x 26 13/16	
	1-16 x 57½		1-17½ x 58		1-14 13/16 x 56 5/16	
PB1896-24 R-L	1-16 x 31		1-17½ x 31½		1-14 13/16 x 29 13/16	
	1-16 x 57½		1-17½ x 58		1-14 13/16 x 56 5/16	
PB3084-24B	2-13 15/16 x 19		2-14 11/16 x 19½		2-13 3/8 x 17 13/16	
	2-13 15/16 x 57½		2-14 11/16 x 58		2-13 3/8 x 56 5/16	
PB3087-24B	2-13 15/16 x 22		2-14 11/16 x 22½		2-13 3/8 x 20 13/16	
	2-13 15/16 x 57½		2-14 11/16 x 58		2-13 3/8 x 56 5/16	
PB3090-24B	2-13 15/16 x 25		2-14 11/16 x 25½		2-13 3/8 x 23 13/16	
	2-13 15/16 x 57½		2-14 11/16 x 58		2-13 3/8 x 56 5/16	
PB3093-24B	2-13 15/16 x 28		2-14 11/16 x 28½		2-13 3/8 x 26 13/16	
	2-13 15/16 x 57½		2-14 11/16 x 58		2-13 3/8 x 56 5/16	
PB3096-24B	2-13 15/16 x 31		2-14 11/16 x 31½		2-13 3/8 x 29 13/16	
	2-13 15/16 x 57½		2-14 11/16 x 58		2-13 3/8 x 56 5/16	
PB3684-24B	2-16 15/16 x 19		2-17 11/16 x 19½		2-16 3/8 x 17 13/16	
	2-16 15/16 x 57½		2-17 11/16 x 58		2-16 3/8 x 56 5/16	
PB3687-24B	2-16 15/16 x 22		2-17 11/16 x 22½		2-16 3/8 x 20 13/16	
	2-16 15/16 x 57½		2-17 11/16 x 58		2-16 3/8 x 56 5/16	
PB3690-24B	2-16 15/16 x 25		2-17 11/16 x 25½		2-16 3/8 x 23 13/16	
	2-16 15/16 x 57½		2-17 11/16 x 58		2-16 3/8 x 56 5/16	
PB3693-24B	2-16 15/16 x 28		2-17 11/16 x 28½		2-16 3/8 x 26 13/16	
	2-16 15/16 x 57½		2-17 11/16 x 58		2-16 3/8 x 56 5/16	
PB3696-24B	2-16 15/16 x 31		2-17 11/16 x 31½		2-16 3/8 x 29 13/16	
	2-16 15/16 x 57½		2-17 11/16 x 58		2-16 3/8 x 56 5/16	
PB3084-24B 4RT	2-13 15/16 x 19		2-14 11/16 x 19½		2-13 3/8 x 17 13/16	
	2-13 15/16 x 57½		2-14 11/16 x 58		2-13 3/8 x 56 5/16	
PB3087-24B 4RT	2-13 15/16 x 22		2-14 11/16 x 22½		2-13 3/8 x 20 13/16	
	2-13 15/16 x 57½		2-14 11/16 x 58		2-13 3/8 x 56 5/16	
PB3090-24B 4RT	2-13 15/16 x 25		2-14 11/16 x 25½		2-13 3/8 x 23 13/16	
	2-13 15/16 x 57½		2-14 11/16 x 58		2-13 3/8 x 56 5/16	
PB3093-24B 4RT	2-13 15/16 x 28		2-14 11/16 x 28½		2-13 3/8 x 26 13/16	
	2-13 15/16 x 57½		2-14 11/16 x 58		2-13 3/8 x 56 5/16	
PB3096-24B 4RT	2-13 15/16 x 31		2-14 11/16 x 31½		2-13 3/8 x 29 13/16	
	2-13 15/16 x 57½		2-14 11/16 x 58		2-13 3/8 x 56 5/16	
PB3684-24B 4RT	2-16 15/16 x 19		2-17 11/16 x 19½		2-16 3/8 x 17 13/16	
	2-16 15/16 x 57½		2-17 11/16 x 58		2-16 3/8 x 56 5/16	
PB3687-24B 4RT	2-16 15/16 x 22		2-17 11/16 x 22½		2-16 3/8 x 20 13/16	
	2-16 15/16 x 57½		2-17 11/16 x 58		2-16 3/8 x 56 5/16	
PB3690-24B 4RT	2-16 15/16 x 25		2-17 11/16 x 25½		2-16 3/8 x 23 13/16	
	2-16 15/16 x 57½		2-17 11/16 x 58		2-16 3/8 x 56 5/16	
PB3693-24B 4RT	2-16 15/16 x 28		2-17 11/16 x 28½		2-16 3/8 x 26 13/16	
	2-16 15/16 x 57½		2-17 11/16 x 58		2-16 3/8 x 56 5/16	
PB3696-24B 4RT	2-16 15/16 x 31		2-17 11/16 x 31½		2-16 3/8 x 29 13/16	
	2-16 15/16 x 57½		2-17 11/16 x 58		2-16 3/8 x 56 5/16	
PC1284-12; 18; 21; 24 R-L	2-10 x 38¼		2-11½ x 38 3/4		2-8 13/16 x 37 1/16	

Door & Drawer Front Sizes

PREFERRED
BY KARMAN

Cabinet	HALF OVERLAY		FULL OVERLAY		INSET	
	Door	Drawer Front	Door	Drawer Front	Door	Drawer Front
PC1287-12; 18; 21; 24 R-L	2 - 10 x 39 3/4		2 - 11 1/2 x 40 1/4		2 - 8 13/16 x 38 9/16	
PC1290-12; 18; 21; 24 R-L	2 - 10 x 41 1/4		2 - 11 1/2 x 41 3/4		2 - 8 13/16 x 40 1/16	
PC1293-12; 18; 21; 24 R-L	2 - 10 x 42 3/4		2 - 11 1/2 x 43 1/4		2 - 8 13/16 x 41 9/16	
PC1296-12; 18; 21; 24 R-L	2 - 10 x 44 1/4		2 - 11 1/2 x 44 3/4		2 - 8 13/16 x 43 1/16	
PC1584-12; 18; 21; 24 R-L	2 - 13 x 38 1/4		2 - 14.5 x 38 3/4		2 - 11 13/16 x 37 1/16	
PC1587-12; 18; 21; 24 R-L	2 - 13 x 39 3/4		2 - 14.5 x 40 1/4		2 - 11 13/16 x 38 9/16	
PC1590-12; 18; 21; 24 R-L	2 - 13 x 41 1/4		2 - 14.5 x 41 3/4		2 - 11 13/16 x 40 1/16	
PC1593-12; 18; 21; 24 R-L	2 - 13 x 42 3/4		2 - 14.5 x 43 1/4		2 - 11 13/16 x 41 9/16	
PC1596-12; 18; 21; 24 R-L	2 - 13 x 44 1/4		2 - 14.5 x 44 3/4		2 - 11 13/16 x 43 1/16	
PC1884-12; 18; 21; 24 R-L	2 - 16 x 38 1/4		2 - 17.5 x 38 3/4		2 - 14 13/16 x 37 1/16	
PC1887-12; 18; 21; 24 R-L	2 - 16 x 39 3/4		2 - 17.5 x 40 1/4		2 - 14 13/16 x 38 9/16	
PC1890-12; 18; 21; 24 R-L	2 - 16 x 41 1/4		2 - 17.5 x 41 3/4		2 - 14 13/16 x 40 1/16	
PC1893-12; 18; 21; 24 R-L	2 - 16 x 42 3/4		2 - 17.5 x 43 1/4		2 - 14 13/16 x 41 9/16	
PC1896-12; 18; 21; 24 R-L	2 - 16 x 44 1/4		2 - 17.5 x 44 3/4		2 - 14 13/16 x 43 1/16	
PC2184-12; 18; 21; 24 R-L	2 - 19 x 38 1/4		2 - 20.5 x 38 3/4		2 - 17 13/16 x 37 1/16	
PC2187-12; 18; 21; 24 R-L	2 - 19 x 39 3/4		2 - 20.5 x 40 1/4		2 - 17 13/16 x 38 9/16	
PC2190-12; 18; 21; 24 R-L	2 - 19 x 41 1/4		2 - 20.5 x 41 3/4		2 - 17 13/16 x 40 1/16	
PC2193-12; 18; 21; 24 R-L	2 - 19 x 42 3/4		2 - 20.5 x 43 1/4		2 - 17 13/16 x 41 9/16	
PC2196-12; 18; 21; 24 R-L	2 - 19 x 44 1/4		2 - 20.5 x 44 3/4		2 - 17 13/16 x 43 1/16	
PC2484-12; 18; 21; 24 R-L	2 - 22 x 38 1/4		2 - 23.5 x 38 3/4		2 - 20 13/16 x 37 1/16	
PC2487-12; 18; 21; 24 R-L	2 - 22 x 39 3/4		2 - 23.5 x 40 1/4		2 - 20 13/16 x 38 9/16	
PC2490-12; 18; 21; 24 R-L	2 - 22 x 41 1/4		2 - 23.5 x 41 3/4		2 - 20 13/16 x 40 1/16	
PC2493-12; 18; 21; 24 R-L	2 - 22 x 42 3/4		2 - 23.5 x 43 1/4		2 - 20 13/16 x 41 9/16	
PC2496-12; 18; 21; 24 R-L	2 - 22 x 44 1/4		2 - 23.5 x 44 3/4		2 - 20 13/16 x 43 1/16	
PC2484-12; 18; 21; 24 B	4 - 10 15/16 x 38 1/4		4 - 11 11/16 x 38 3/4		4 - 10 3/8 x 37 1/16	
PC2487-12; 18; 21; 24 B	4 - 10 15/16 x 39 3/4		4 - 11 11/16 x 40 1/4		4 - 10 3/8 x 38 9/16	
PC2490-12; 18; 21; 24 B	4 - 10 15/16 x 41 1/4		4 - 11 11/16 x 41 3/4		4 - 10 3/8 x 40 1/16	
PC2493-12; 18; 21; 24 B	4 - 10 15/16 x 42 3/4		4 - 11 11/16 x 43 1/4		4 - 10 3/8 x 41 9/16	
PC2496-12; 18; 21; 24 B	4 - 10 15/16 x 44 1/4		4 - 11 11/16 x 44 3/4		4 - 10 3/8 x 43 1/16	
PC2784-12; 18; 21; 24 B	4 - 12 7/16 x 38 1/4		4 - 13 3/16 x 38 3/4		4 - 11 7/8 x 37 1/16	
PC2787-12; 18; 21; 24 B	4 - 12 7/16 x 39 3/4		4 - 13 3/16 x 40 1/4		4 - 11 7/8 x 38 9/16	
PC2790-12; 18; 21; 24 B	4 - 12 7/16 x 41 1/4		4 - 13 3/16 x 41 3/4		4 - 11 7/8 x 40 1/16	
PC2793-12; 18; 21; 24 B	4 - 12 7/16 x 42 3/4		4 - 13 3/16 x 43 1/4		4 - 11 7/8 x 41 9/16	
PC2796-12; 18; 21; 24 B	4 - 12 7/16 x 44 1/4		4 - 13 3/16 x 44 3/4		4 - 11 7/8 x 43 1/16	
PC3084-12; 18; 21; 24 B	4 - 13 15/16 x 38 1/4		4 - 14 11/16 x 38 3/4		4 - 13 3/8 x 37 1/16	
PC3087-12; 18; 21; 24 B	4 - 13 15/16 x 39 3/4		4 - 14 11/16 x 40 1/4		4 - 13 3/8 x 38 9/16	
PC3090-12; 18; 21; 24 B	4 - 13 15/16 x 41 1/4		4 - 14 11/16 x 41 3/4		4 - 13 3/8 x 40 1/16	
PC3093-12; 18; 21; 24 B	4 - 13 15/16 x 42 3/4		4 - 14 11/16 x 43 1/4		4 - 13 3/8 x 41 9/16	
PC3096-12; 18; 21; 24 B	4 - 13 15/16 x 44 1/4		4 - 14 11/16 x 44 3/4		4 - 13 3/8 x 43 1/16	
PC3384-12; 18; 21; 24 B	4 - 15 7/16 x 38 1/4		4 - 16 3/16 x 38 3/4		4 - 14 7/8 x 37 1/16	
PC3387-12; 18; 21; 24 B	4 - 15 7/16 x 38 3/4		4 - 16 3/16 x 40 1/4		4 - 14 7/8 x 38 9/16	
PC3390-12; 18; 21; 24 B	4 - 15 7/16 x 41 1/4		4 - 16 3/16 x 41 3/4		4 - 14 7/8 x 40 1/16	
PC3393-12; 18; 21; 24 B	4 - 15 7/16 x 42 3/4		4 - 16 3/16 x 43 1/4		4 - 14 7/8 x 41 9/16	
PC3396-12; 18; 21; 24 B	4 - 15 7/16 x 44 1/4		4 - 16 3/16 x 44 3/4		4 - 14 7/8 x 43 1/16	
PC3684-12; 18; 21; 24 B	4 - 16 15/16 x 38 1/4		4 - 17 11/16 x 38 3/4		4 - 16 3/8 x 37 1/16	
PC3687-12; 18; 21; 24 B	4 - 16 15/16 x 39 3/4		4 - 17 11/16 x 40 1/4		4 - 16 3/8 x 38 9/16	
PC3690-12; 18; 21; 24 B	4 - 16 15/16 x 41 1/4		4 - 17 11/16 x 41 3/4		4 - 16 3/8 x 40 1/16	

Door & Drawer Front Sizes

Cabinet	HALF OVERLAY		FULL OVERLAY		INSET	
	Door	Drawer Front	Door	Drawer Front	Door	Drawer Front
PC3693-12; 18; 21; 24 B	4 - 16 15/16 x 42 3/4		4 - 17 11/16 x 43 1/4		4 - 16 3/8 x 41 9/16	
PC3696-12; 18; 21; 24 B	4 - 16 15/16 x 44 1/4		4 - 17 11/16 x 44 3/4		4 - 16 3/8 x 43 1/16	
PEN3030 R-L	1 - 13 x 28		1 - 13 3/4 x 28 1/2		1 - 11 3/4 x 26 13/16	
	2 - 12 7/16 x 28		2 - 13 3/16 x 28 1/2		2 - 11 7/8 x 26 13/16	
PEN3033 R-L	1 - 13 x 31		1 - 13 3/4 x 31 1/2		1 - 11 3/4 x 29 13/16	
	2 - 12 7/16 x 31		2 - 13 3/16 x 31 1/2		2 - 11 7/8 x 29 13/16	
PEN3036 R-L	1 - 13 x 34		1 - 13 3/4 x 34 1/2		1 - 11 3/4 x 32 13/16	
	2 - 12 7/16 x 34		2 - 13 3/16 x 34 1/2		2 - 11 7/8 x 32 13/16	
PEN3039 R-L	1 - 13 x 37		1 - 13 3/4 x 37 1/2		1 - 11 3/4 x 35 13/16	
	2 - 12 7/16 x 37		2 - 13 3/16 x 37 1/2		2 - 11 7/8 x 35 13/16	
PEN3042 R-L	1 - 13 x 40		1 - 13 3/4 x 40 1/2		1 - 11 3/4 x 38 13/16	
	2 - 12 7/16 x 40		2 - 13 3/16 x 40 1/2		2 - 11 7/8 x 38 13/16	
PF15-1884 R-L	2 - 13 x 38 1/4		2 - 14 1/2 x 38 3/4		2 - 11 13/16 x 37 1/16	
PF15-1887 R-L	2 - 13 x 39 3/4		2 - 14 1/2 x 40 1/4		2 - 11 13/16 x 38 9/16	
PF15-1890 R-L	2 - 13 x 41 1/4		2 - 14 1/2 x 41 3/4		2 - 11 13/16 x 40 1/16	
PF15-1893 R-L	2 - 13 x 42 3/4		2 - 14 1/2 x 43 1/4		2 - 11 13/16 x 41 9/16	
PF15-1896 R-L	2 - 13 x 44 1/4		2 - 14 1/2 x 44 3/4		2 - 11 13/16 x 43 1/16	
PF18-2184 R-L	2 - 16 x 38 1/4		2 - 17 1/2 x 38 3/4		2 - 14 13/16 x 37 1/16	
PF18-2187 R-L	2 - 16 x 39 3/4		2 - 17 1/2 x 40 1/4		2 - 14 13/16 x 38 9/16	
PF18-2190 R-L	2 - 16 x 41 1/4		2 - 17 1/2 x 41 3/4		2 - 14 13/16 x 40 1/16	
PF18-2193 R-L	2 - 16 x 42 3/4		2 - 17 1/2 x 43 1/4		2 - 14 13/16 x 41 9/16	
PF18-2196 R-L	2 - 16 x 44 1/4		2 - 17 1/2 x 44 3/4		2 - 14 13/16 x 43 1/16	
PF21-2484 R-L	2 - 19 x 38 1/4		2 - 20 1/2 x 38 3/4		2 - 17 13/16 x 37 1/16	
PF21-2487 R-L	2 - 19 x 39 3/4		2 - 20 1/2 x 40 1/4		2 - 14 13/16 x 38 9/16	
PF21-2490 R-L	2 - 19 x 41 1/4		2 - 20 1/2 x 41 3/4		2 - 17 13/16 x 40 1/16	
PF21-2493 R-L	2 - 19 x 42 3/4		2 - 20 1/2 x 43 1/4		2 - 17 13/16 x 41 9/16	
PF21-2496 R-L	2 - 19 x 44 1/4		2 - 20 1/2 x 44 3/4		2 - 17 13/16 x 43 1/16	
PF24-2784 R-L	2 - 22 x 38 1/4		2 - 23 1/2 x 38 3/4		2 - 20 13/16 x 37 1/16	
PF24-2787 R-L	2 - 22 x 39 3/4		2 - 23 1/2 x 40 1/4		2 - 20 13/16 x 38 9/16	
PF24-2790 R-L	2 - 22 x 41 1/4		2 - 23 1/2 x 41 3/4		2 - 20 13/16 x 40 1/16	
PF24-2793 R-L	2 - 22 x 42 3/4		2 - 23 1/2 x 43 1/4		2 - 20 13/16 x 41 9/16	
PF24-2796 R-L	2 - 22 x 44 1/4		2 - 23 1/2 x 44 3/4		2 - 20 13/16 x 43 1/16	
PF24-2784 B	4 - 10 15/16 x 38 1/4		4 - 11 11/16 x 38 3/4		4 - 10 3/8 x 37 1/16	
PF24-2787 B	4 - 10 15/16 x 39 3/4		4 - 11 11/16 x 40 1/4		4 - 10 3/8 x 38 9/16	
PF24-2790 B	4 - 10 15/16 x 41 1/4		4 - 11 11/16 x 41 3/4		4 - 10 3/8 x 40 1/16	
PF24-2793 B	4 - 10 15/16 x 42 3/4		4 - 11 11/16 x 43 1/4		4 - 10 3/8 x 41 9/16	
PF24-2796 B	4 - 10 15/16 x 44 1/4		4 - 11 11/16 x 44 3/4		4 - 10 3/8 x 43 1/16	
PF27-3084 B	4 - 12 7/16 x 38 1/4		4 - 13 3/16 x 38 3/4		4 - 11 7/8 x 37 1/16	
PF27-3087 B	4 - 12 7/16 x 39 3/4		4 - 13 3/16 x 40 1/4		4 - 11 7/8 x 38 9/16	
PF27-3090 B	4 - 12 7/16 x 41 1/4		4 - 13 3/16 x 41 3/4		4 - 11 7/8 x 40 1/16	
PF27-3093 B	4 - 12 7/16 x 42 3/4		4 - 13 3/16 x 43 1/4		4 - 11 7/8 x 41 9/16	
PF27-3096 B	4 - 12 7/16 x 44 1/4		4 - 13 3/16 x 44 3/4		4 - 11 7/8 x 43 1/16	
PF30-3384 B	4 - 13 15/16 x 38 1/4		4 - 14 11/16 x 38 3/4		4 - 13 3/8 x 37 1/16	
PF30-3387 B	4 - 13 15/16 x 39 3/4		4 - 14 11/16 x 40 1/4		4 - 13 3/8 x 38 9/16	
PF30-3390 B	4 - 13 15/16 x 41 1/4		4 - 14 11/16 x 41 3/4		4 - 13 3/8 x 40 1/16	
PF30-3393 B	4 - 13 15/16 x 42 3/4		4 - 14 11/16 x 43 1/4		4 - 13 3/8 x 41 9/16	
PF30-3396 B	4 - 13 15/16 x 44 1/4		4 - 14 11/16 x 44 3/4		4 - 13 3/8 x 43 1/16	

Door & Drawer Front Sizes

PREFERRED
BY KARMAN

Cabinet	HALF OVERLAY		FULL OVERLAY		INSET	
	Door	Drawer Front	Door	Drawer Front	Door	Drawer Front
PF33-3684 B	4 - 15 7/16 x 38 1/4		4 - 16 3/16 x 38 3/4		4 - 14 7/8 x 37 1/16	
PF33-3687 B	4 - 15 7/16 x 38 3/4		4 - 16 3/16 x 40 1/4		4 - 14 7/8 x 38 9/16	
PF33-3690 B	4 - 15 7/16 x 41 1/4		4 - 16 3/16 x 41 3/4		4 - 14 7/8 x 40 1/16	
PF33-3693 B	4 - 15 7/16 x 42 3/4		4 - 16 3/16 x 43 1/4		4 - 14 7/8 x 41 9/16	
PF33-3696 B	4 - 15 7/16 x 44 1/4		4 - 16 3/16 x 44 3/4		4 - 14 7/8 x 43 1/16	
PF36-3984 B	4 - 16 15/16 x 38 1/4		4 - 17 11/16 x 38 3/4		4 - 16 3/8 x 37 1/16	
PF36-3987 B	4 - 16 15/16 x 39 3/4		4 - 17 11/16 x 40 1/4		4 - 16 3/8 x 38 9/16	
PF36-3990 B	4 - 16 15/16 x 41 1/4		4 - 17 11/16 x 41 3/4		4 - 16 3/8 x 40 1/16	
PF36-3993 B	4 - 16 15/16 x 42 3/4		4 - 17 11/16 x 43 1/4		4 - 16 3/8 x 41 9/16	
PF36-3996 B	4 - 16 15/16 x 44 1/4		4 - 17 11/16 x 44 3/4		4 - 16 3/8 x 43 1/16	
RB24 R-L	1 - 22 x 21	1 - 22 x 6 1/2	1 - 23 1/2 x 21 1/2	1 - 23 1/2 x 7	1 - 20 13/16 x 19 13/16	1 - 20 13/16 x 5 5/16
RB24B	2 - 10 15/16 x 21	1 - 22 x 6 1/2	2 - 11 11/16 x 21 1/2	1 - 23 1/2 x 7	2 - 10 3/8 x 19 13/16	1 - 20 13/16 x 5 5/16
RB27B	2 - 12 7/16 x 21	1 - 25 x 6 1/2	2 - 13 3/16 x 21 1/2	1 - 26 1/2 x 7	2 - 11 7/8 x 19 13/16	1 - 23 13/16 x 5 5/16
RB30B	2 - 13 15/16 x 21	1 - 28 x 6 1/2	2 - 14 11/16 x 21 1/2	1 - 29 1/2 x 7	2 - 13 3/8 x 19 13/16	1 - 26 13/16 x 5 5/16
RB33B	2 - 15 7/16 x 21	1 - 31 x 6 1/2	2 - 16 3/16 x 21 1/2	1 - 32 1/2 x 7	2 - 14 7/8 x 19 13/16	1 - 29 13/16 x 5 5/16
RB36B	2 - 16 15/16 x 21	1 - 34 x 6 1/2	2 - 17 11/16 x 21 1/2	1 - 35 1/2 x 7	2 - 16 3/8 x 19 13/16	1 - 32 13/16 x 5 5/16
RB39B	2 - 18 7/16 x 21	1 - 37 x 6 1/2	2 - 19 3/16 x 21 1/2	1 - 38 1/2 x 7	2 - 17 7/8 x 19 13/16	1 - 35 13/16 x 5 5/16
RB42B	2 - 19 15/16 x 21	1 - 40 x 6 1/2	2 - 20 11/16 x 21 1/2	1 - 41 1/2 x 7	2 - 19 3/8 x 19 13/16	1 - 38 13/16 x 5 5/16
RB45B	2 - 21 7/16 x 21	1 - 43 x 6 1/2	2 - 22 3/16 x 21 1/2	1 - 44 1/2 x 7	2 - 20 7/8 x 19 13/16	1 - 41 13/16 x 5 5/16
RB48B	2 - 22 15/16 x 21	1 - 46 x 6 1/2	2 - 23 11/16 x 21 1/2	1 - 47 1/2 x 7	2 - 22 3/8 x 19 13/16	1 - 44 13/16 x 5 5/16
RC3B36 R-L	1 - 14 1/4 x 21	1 - 14 1/4 x 6 1/2	1 - 14 1/4 x 21 1/2	1 - 14 1/4 x 7	1 - 13 1/16 x 19 13/16	1 - 13 1/16 x 5 5/16
RC3B39 R-L	1 - 18 7/16 x 21	1 - 18 7/16 x 6 1/2	1 - 18 7/16 x 21 1/2	1 - 18 7/16 x 7	1 - 17 1/4 x 19 13/16	1 - 17 1/4 x 5 5/16
RC3B42 R-L	1 - 22 11/16 x 21	1 - 22 11/16 x 6 1/2	1 - 22 11/16 x 21 1/2	1 - 22 11/16 x 7	1 - 21 1/2 x 19 13/16	1 - 21 1/2 x 5 5/16
RC3B42B	2 - 11 5/16 x 21	1 - 22 11/16 x 6 1/2	2 - 11 5/16 x 21 1/2	1 - 22 11/16 x 7	2 - 10 11/16 x 19 13/16	1 - 21 1/2 x 5 5/16
RC3B45B	2 - 13 7/16 x 21	1 - 26 15/16 x 6 1/2	2 - 13 7/16 x 21 1/2	1 - 26 15/16 x 7	2 - 12 13/16 x 19 13/16	1 - 25 3/4 x 5 5/16
RC3B48B	2 - 15 13/16 x 21	1 - 31 11/16 x 6 1/2	2 - 15 13/16 x 21 1/2	1 - 31 11/16 x 7	2 - 15 3/16 x 19 13/16	1 - 30 1/2 x 5 5/16
RC3384	2 - 15 7/16 x 10		2 - 16 3/16 x 10 1/2		2 - 14 7/8 x 8 13/16	
RC3387	2 - 15 7/16 x 13		2 - 16 3/16 x 13 1/2		2 - 14 7/8 x 11 13/16	
RC3390	2 - 15 7/16 x 16		2 - 16 3/16 x 16 1/2		2 - 14 7/8 x 14 13/16	
RC3393	2 - 15 7/16 x 19		2 - 16 3/16 x 19 1/2		2 - 14 7/8 x 17 13/16	
RC3396	2 - 15 7/16 x 22		2 - 16 3/16 x 22 1/2		2 - 14 7/8 x 20 13/16	
RC3684	2 - 16 15/16 x 10		2 - 17 11/16 x 10 1/2		2 - 16 3/8 x 8 13/16	
RC3687	2 - 16 15/16 x 13		2 - 17 11/16 x 13 1/2		2 - 16 3/8 x 11 13/16	
RC3690	2 - 16 15/16 x 16		2 - 17 11/16 x 16 1/2		2 - 16 3/8 x 14 13/16	
RC3693	2 - 16 15/16 x 19		2 - 17 11/16 x 19 1/2		2 - 16 3/8 x 17 13/16	
RC3696	2 - 16 15/16 x 22		2 - 17 11/16 x 22 1/2		2 - 16 3/8 x 20 13/16	
RC3984	2 - 18 7/16 x 10		2 - 19 3/16 x 10 1/2		2 - 17 7/8 x 8 13/16	
RC3987	2 - 18 7/16 x 13		2 - 19 3/16 x 13 1/2		2 - 17 7/8 x 11 13/16	
RC3990	2 - 18 7/16 x 16		2 - 19 3/16 x 16 1/2		2 - 17 7/8 x 14 13/16	
RC3993	2 - 18 7/16 x 19		2 - 19 3/16 x 19 1/2		2 - 17 7/8 x 17 13/16	
RC3996	2 - 18 7/16 x 22		2 - 19 3/16 x 22 1/2		2 - 17 7/8 x 20 13/16	
RRB18 R-L	1 - 16 x 20 1/2	1 - 16 x 7	1 - 17 1/2 x 21	1 - 17 1/2 x 7 1/2	1 - 14 13/16 x 19 13/16	1 - 14 13/16 x 5 13/16
RRB21 R-L	1 - 19 x 20 1/2	1 - 19 x 7	1 - 20 1/2 x 21	1 - 20 1/2 x 7 1/2	1 - 17 13/16 x 19 13/16	1 - 17 13/16 x 5 13/16
RRB24 R-L	1 - 22 x 20 1/2	1 - 22 x 7	1 - 23 1/2 x 21	1 - 23 1/2 x 7 1/2	1 - 20 13/16 x 19 13/16	1 - 20 13/16 x 5 13/16
RRB24 B	2 - 10 15/16 x 20 1/2	1 - 22 x 7	2 - 11 13/16 x 21	1 - 23 1/2 x 7 1/2	2 - 10 3/8 x 19 13/16	1 - 20 13/16 x 5 13/16
RRB27B	2 - 12 7/16 x 20 1/2	1 - 25 x 7	2 - 13 3/16 x 21	1 - 26 1/2 x 7 1/2	2 - 11 7/8 x 19 13/16	1 - 23 13/16 x 5 13/16
RRB30B	2 - 13 15/16 x 20 1/2	1 - 28 x 7	2 - 14 11/16 x 21	1 - 29 1/2 x 7 1/2	2 - 13 3/8 x 19 13/16	1 - 26 13/16 x 5 13/16

Door & Drawer Front Sizes

Cabinet	HALF OVERLAY		FULL OVERLAY		INSET	
	Door	Drawer Front	Door	Drawer Front	Door	Drawer Front
RRB33B	2 - 15 7/16 x 20 1/2	1 - 31 x 7	2 - 16 3/16 x 21	1 - 32 1/2 x 7 1/2	2 - 14 7/8 x 19 13/16	1 - 29 13/16 x 5 13/16
RRB36B	2 - 16 15/16 x 20 1/2	1 - 34 x 7	2 - 17 11/16 x 21	1 - 35 1/2 x 7 1/2	2 - 16 3/8 x 19 13/16	1 - 32 13/16 x 5 13/16
RRB39B	2 - 18 7/16 x 20 1/2	1 - 37 x 7	2 - 19 3/16 x 21	1 - 38 1/2 x 7 1/2	2 - 17 7/8 x 19 13/16	1 - 35 13/16 x 5 13/16
RRB42B	2 - 19 15/16 x 20 1/2	1 - 40 x 7	2 - 20 11/16 x 21	1 - 41 1/2 x 7 1/2	2 - 19 3/8 x 19 13/16	1 - 38 13/16 x 5 13/16
RRB45B	2 - 21 7/16 x 20 1/2	1 - 43 x 7	2 - 22 3/16 x 21	1 - 44 1/2 x 7 1/2	2 - 20 7/8 x 19 13/16	1 - 41 13/16 x 5 13/16
RRB48B	2 - 22 15/16 x 20 1/2	1 - 46 x 7	2 - 23 11/16 x 21	1 - 47 1/2 x 7 1/2	2 - 22 3/8 x 19 13/16	1 - 44 13/16 x 5 13/16
SACDR-L	1 - 14 1/8 x 16 1/2		1 - 14 1/8 x 16 1/2		1 - 12 15/16 x 15 3/16	
SACDST24B	2 - 9 13/16 x 16 1/2		2 - 10 9/16 x 16 1/2		2 - 9 1/4 x 15 13/16	
SACDST30B	2 - 12 13/16 x 16 1/2		2 - 13 9/16 x 16 1/2		2 - 12 1/4 x 15 13/16	
SB18R-L	1 - 16 x 21	1 - 16 x 6 1/2	1 - 17 1/2 x 21 1/2	1 - 17 1/2 x 7	1 - 14 13/16 x 19 13/16	1 - 14 13/16 x 5 5/16
SB21R-L	1 - 19 x 21	1 - 19 x 6 1/2	1 - 20 1/2 x 21 1/2	1 - 20 1/2 x 7	1 - 17 13/16 x 19 13/16	1 - 17 13/16 x 5 5/16
SB24R-L	1 - 22 x 21	1 - 22 x 6 1/2	1 - 23 1/2 x 21 1/2	1 - 23 1/2 x 7	1 - 20 13/16 x 19 13/16	1 - 20 13/16 x 5 5/16
SB24B	2 - 10 15/16 x 21	1 - 22 x 6 1/2	2 - 11 11/16 x 21 1/2	1 - 23 1/2 x 7	2 - 10 3/8 x 19 13/16	1 - 20 13/16 x 5 5/16
SB27B	2 - 12 7/16 x 21	1 - 25 x 6 1/2	2 - 13 3/16 x 21 1/2	1 - 26 1/2 x 7	2 - 11 7/8 x 19 13/16	1 - 23 13/16 x 5 5/16
SB30B	2 - 13 15/16 x 21	1 - 28 x 6 1/2	2 - 14 11/16 x 21 1/2	1 - 29 1/2 x 7	2 - 13 3/8 x 19 13/16	1 - 26 13/16 x 5 5/16
SB33B	2 - 15 7/16 x 21	1 - 31 x 6 1/2	2 - 16 3/16 x 21 1/2	1 - 32 1/2 x 7	2 - 14 7/8 x 19 13/16	1 - 29 13/16 x 5 5/16
SB36B	2 - 16 15/16 x 21	1 - 34 x 6 1/2	2 - 17 11/16 x 21 1/2	1 - 35 1/2 x 7	2 - 16 3/8 x 19 13/16	1 - 32 13/16 x 5 5/16
SB39B	2 - 18 7/16 x 21	1 - 37 x 6 1/2	2 - 19 3/16 x 21 1/2	1 - 38 1/2 x 7	2 - 17 7/8 x 19 13/16	1 - 35 13/16 x 5 5/16
SB42B	2 - 19 15/16 x 21	1 - 40 x 6 1/2	2 - 20 11/16 x 21 1/2	1 - 41 1/2 x 7	2 - 19 3/8 x 19 13/16	1 - 38 13/16 x 5 5/16
SB45B	2 - 21 7/16 x 21	1 - 43 x 6 1/2	2 - 22 3/16 x 21 1/2	1 - 44 1/2 x 7	2 - 20 7/8 x 19 13/16	1 - 41 13/16 x 5 5/16
SB48B	2 - 22 15/16 x 21	1 - 46 x 6 1/2	2 - 23 11/16 x 21 1/2	1 - 47 1/2 x 7	2 - 22 3/8 x 19 13/16	1 - 44 13/16 x 5 5/16
SB54B	2 - 10 x 21	2 - 10 x 6 1/2	2 - 11 1/2 x 21 1/2	2 - 11 1/2 x 7	2 - 13 3/8 x 19 13/16	2 - 8 13/16 x 5 5/16
	2 - 13 15/16 x 21	1 - 28 x 6 1/2	2 - 14 11/16 x 21 1/2	1 - 29 1/2 x 7	2 - 8 13/16 x 19 13/16	1 - 26 13/16 x 5 5/16
SB60B	2 - 13 x 21	2 - 13 x 6 1/2	2 - 14 1/2 x 21 1/2	2 - 14 1/2 x 7	2 - 13 3/8 x 19 13/16	2 - 11 13/16 x 5 5/16
	2 - 13 15/16 x 21	1 - 28 x 6 1/2	2 - 14 11/16 x 21 1/2	1 - 29 1/2 x 7	2 - 11 13/16 x 19 13/16	1 - 26 13/16 x 5 5/16
SBB54BR-L	2 - 13 15/16 x 21	1 - 28 x 6 1/2	2 - 14 11/16 x 21 1/2	1 - 29 1/2 x 7	2 - 13 3/8 x 19 13/16	1 - 26 13/16 x 5 5/16
SBB57BR-L	2 - 15 7/16 x 21	1 - 31 x 6 1/2	2 - 16 3/16 x 21 1/2	1 - 32 1/2 x 7	2 - 14 7/8 x 19 13/16	1 - 29 13/16 x 5 5/16
SBB60BR-L	2 - 16 15/16 x 21	1 - 34 x 6 1/2	2 - 17 11/16 x 21 1/2	1 - 35 1/2 x 7	2 - 16 3/8 x 19 13/16	1 - 32 13/16 x 5 5/16
SBB63BR-L	2 - 18 7/16 x 21	1 - 37 x 6 1/2	2 - 19 3/16 x 21 1/2	1 - 38 1/2 x 7	2 - 17 7/8 x 19 13/16	1 - 35 13/16 x 5 5/16
SBCC30B	2 - 10 15/16 x 21	1 - 22 x 6 1/2	2 - 11 11/16 x 21 1/2	1 - 23 1/2 x 7	2 - 10 3/8 x 19 13/16	1 - 20 13/16 x 5 5/16
SBCC33B	2 - 12 7/16 x 21	1 - 25 x 6 1/2	2 - 13 3/16 x 21 1/2	1 - 26 1/2 x 7	2 - 11 7/8 x 19 13/16	1 - 23 13/16 x 5 5/16
SBCC36B	2 - 13 15/16 x 21	1 - 28 x 6 1/2	2 - 14 11/16 x 21 1/2	1 - 29 1/2 x 7	2 - 13 3/8 x 19 13/16	1 - 26 13/16 x 5 5/16
SBCC39B	2 - 15 7/16 x 21	1 - 31 x 6 1/2	2 - 16 3/16 x 21 1/2	1 - 32 1/2 x 7	2 - 14 7/8 x 19 13/16	1 - 29 13/16 x 5 5/16
SBCC42B	2 - 16 15/16 x 21	1 - 34 x 6 1/2	2 - 17 11/16 x 21 1/2	1 - 35 1/2 x 7	2 - 16 3/8 x 19 13/16	1 - 32 13/16 x 5 5/16
SBCC45B	2 - 18 7/16 x 21	1 - 37 x 6 1/2	2 - 19 3/16 x 21 1/2	1 - 38 1/2 x 7	2 - 17 7/8 x 19 13/16	1 - 35 13/16 x 5 5/16
SBCC48B	2 - 19 15/16 x 21	1 - 40 x 6 1/2	2 - 20 11/16 x 21 1/2	1 - 41 1/2 x 7	2 - 19 3/8 x 19 13/16	1 - 38 13/16 x 5 5/16
SBF1522R-L	1 - 13 x 12 1/2	1 - 13 x 6 1/2	1 - 14 1/2 x 13	1 - 14 1/2 x 7	1 - 11 13/16 x 11 13/16	1 - 11 13/16 x 5 5/16
SDR	1 - 14 1/2 x 14 1/2		1 - 14 1/2 x 14 1/2		1 - 14 1/2 x 14 1/2	
SF24R-L	1 - 22 x 21	1 - 22 x 6 1/2	1 - 23 1/2 x 21 1/2	1 - 23 1/2 x 7	1 - 20 13/16 x 19 13/16	1 - 20 13/16 x 5 5/16
SF24B	2 - 10 15/16 x 21	1 - 22 x 6 1/2	2 - 11 11/16 x 21 1/2	1 - 23 1/2 x 7	2 - 10 3/8 x 19 13/16	1 - 20 13/16 x 5 5/16
SF27B	2 - 12 7/16 x 21	1 - 25 x 6 1/2	2 - 13 3/16 x 21 1/2	1 - 25 1/2 x 7	2 - 11 7/8 x 19 13/16	1 - 23 13/16 x 5 5/16
SF30B	2 - 13 15/16 x 21	1 - 28 x 6 1/2	2 - 14 11/16 x 21 1/2	1 - 29 1/2 x 7	2 - 13 3/8 x 19 13/16	1 - 26 13/16 x 5 5/16
SF33B	2 - 15 7/16 x 21	1 - 31 x 6 1/2	2 - 16 3/16 x 21 1/2	1 - 32 1/2 x 7	2 - 14 7/8 x 19 13/16	1 - 29 13/16 x 5 5/16
SF36B	2 - 16 15/16 x 21	1 - 34 x 6 1/2	2 - 17 11/16 x 21 1/2	1 - 35 1/2 x 7	2 - 16 3/8 x 19 13/16	1 - 32 13/16 x 5 5/16
SF39B	2 - 18 7/16 x 21	1 - 37 x 6 1/2	2 - 19 3/16 x 21 1/2	1 - 38 1/2 x 7	2 - 17 7/8 x 19 13/16	1 - 35 13/16 x 5 5/16
SF42B	2 - 19 15/16 x 21	1 - 40 x 6 1/2	2 - 20 11/16 x 21 1/2	1 - 41 1/2 x 7	2 - 19 3/8 x 19 13/16	1 - 38 13/16 x 5 5/16
SF48B	2 - 22 15/16 x 21	1 - 46 x 6 1/2	2 - 23 11/16 x 21 1/2	1 - 47 1/2 x 7	2 - 22 3/8 x 19 13/16	1 - 44 13/16 x 5 5/16

Door & Drawer Front Sizes

PREFERRED
BY KARMAN

Cabinet	HALF OVERLAY		FULL OVERLAY		INSET	
	Door	Drawer Front	Door	Drawer Front	Door	Drawer Front
SGDF	1-14½x14½	1-14½x6	1-14½x14½	1-14½x6		
SWF1522 R-L	1-13x20		1-14½x20½		1-11 13/16x18 13/16	
TCW2442 R-L	1-14½x10 1-14½x29		1-14½x10½ 1-14½x29½		1-13 5/16x27 13/16 1-13 5/16x8 13/16	
TCW2448 R-L	1-14½x16 1-14½x29		1-14½x16½ 1-14½x29½		1-13 5/16x27 13/16 1-13 5/16x14 13/16	
TCW2454 R-L	1-14½x16 1-14½x35		1-14½x16½ 1-14½x35½		1-13 5/16x33 13/16 1-13 5/16x14 13/16	
TCW2742 R-L	1-14½x10 1-14½x29		1-14½x10½ 1-14½x29½		1-13 5/16x27 13/16 1-13 5/16x8 13/16	
TCW2748 R-L	1-14½x16 1-14½x29		1-14½x16½ 1-14½x29½		1-13 5/16x27 13/16 1-13 5/16x14 13/16	
TCW2754 R-L	1-14½x16 1-14½x35		1-14½x16½ 1-14½x35½		1-13 5/16x33 13/16 1-13 5/16x14 13/16	
TEC84	2-16¼x28 2-16¼x48½		2-17 3/4x28½ 2-17 3/4x49		2-15 1/16x26 13/16 2-15 1/16x47 5/16	
TEC87	2-16¼x31 2-16¼x48½		2-17 3/4x31½ 2-17 3/4x49		2-15 1/16x29 13/16 2-15 1/16x47 5/16	
TEC90	2-16¼x34 2-16¼x48½		2-17 3/4x34½ 2-17 3/4x49		2-15 1/16x32 13/16 2-15 1/16x47 5/16	
TEC93	2-16¼x37 2-16¼x48½		2-17 3/4x37½ 2-17 3/4x49		2-15 1/16x35 13/16 2-15 1/16x47 5/16	
TEC96	2-16¼x40 2-16¼x48½		2-17 3/4x40½ 2-17 3/4x49		2-15 1/16x38 13/16 2-15 1/16x47 5/16	
TED84	2-15 7/16x28 2-15 7/16x48½		2-16 3/16x28½ 2-16 3/16x49		2-14 7/8x26 13/16 2-14 7/8x47 5/16	
TED87	2-15 7/16x31 2-15 7/16x48½		2-16 3/16x31½ 2-16 3/16x49		2-14 7/8x29 13/16 2-14 7/8x47 5/16	
TED90	2-15 7/16x34 2-15 7/16x48½		2-16 3/16x34½ 2-16 3/16x49		2-14 7/8x32 13/16 2-14 7/8x47 5/16	
TED93	2-15 7/16x37 2-15 7/16x48½		2-16 3/16x37½ 2-16 3/16x49		2-14 7/8x35 13/16 2-14 7/8x47 5/16	
TED96	2-15 7/16x40 2-15 7/16x48½		2-16 3/16x40½ 2-16 3/16x49		2-14 7/8x38 13/16 2-14 7/8x47 5/16	
TUB1584 R-L	1-13x48½ 1-13x21	1-13x6½	1-14½x48½ 1-14½x21½	1-14½x7	1-11 13/16x47 5/16 1-11 13/16x19 13/16	1-11 13/16x5 5/16
TUB1587 R-L	1-13x51½ 1-13x21	1-13x6½	1-14½x51½ 1-14½x21½	1-14½x7	1-11 13/16x50 5/16 1-11 13/16x19 13/16	1-11 13/16x5 5/16
TUB1590 R-L	1-13x54½ 1-13x21	1-13x6½	1-14½x54½ 1-14½x21½	1-14½x7	1-11 13/16x53 5/16 1-11 13/16x19 13/16	1-11 13/16x5 5/16
TUB1593 R-L	1-13x57½ 1-13x21	1-13x6½	1-14½x57½ 1-14½x21½	1-14½x7	1-11 13/16x56 5/16 1-11 13/16x19 13/16	1-11 13/16x5 5/16
TUB1596 R-L	1-13x60½ 1-13x21	1-13x6½	1-14½x60½ 1-14½x21½	1-14½x7	1-11 13/16x59 5/16 1-11 13/16x19 13/16	1-11 13/16x5 5/16
TUB1884 R-L	1-16x48½ 1-16x21	1-16x6½	1-17½x48½ 1-17½x21½	1-17½x7	1-14 13/16x47 5/16 1-14 13/16x19 13/16	1-14 13/16x5 5/16

Door & Drawer Front Sizes

Cabinet	HALF OVERLAY		FULL OVERLAY		INSET	
	Door	Drawer Front	Door	Drawer Front	Door	Drawer Front
TUB1887 R-L	1-16 x 51½ 1-16 x 21	1-16 x 6½	1-17½ x 51½ 1-17½ x 21½	1-17½ x 7	1-14 13/16 x 50 5/16 1-14 13/16 x 19 13/16	1-14 13/16 x 5 5/16
TUB1890 R-L	1-16 x 54½ 1-16 x 21	1-16 x 6½	1-17½ x 54½ 1-17½ x 21½	1-17½ x 7	1-14 13/16 x 53 5/16 1-14 13/16 x 19 13/16	1-14 13/16 x 5 5/16
TUB1893 R-L	1-16 x 57½ 1-16 x 21	1-16 x 6½	1-17½ x 57½ 1-17½ x 21½	1-17½ x 7	1-14 13/16 x 56 5/16 1-14 13/16 x 19 13/16	1-14 13/16 x 5 5/16
TUB1896 R-L	1-16 x 60½ 1-16 x 21	1-16 x 6½	1-17½ x 60½ 1-17½ x 21½	1-17½ x 7	1-14 13/16 x 59 5/16 1-14 13/16 x 19 13/16	1-14 13/16 x 5 5/16
TUB2184 R-L	1-19 x 48½ 1-19 x 21	1-19 x 6½	1-20½ x 48½ 1-20½ x 21½	1-20½ x 7	1-17 13/16 x 47 5/16 1-17 13/16 x 19 13/16	1-17 13/16 x 5 5/16
TUB2187 R-L	1-19 x 51½ 1-19 x 21	1-19 x 6½	1-20½ x 51½ 1-20½ x 21½	1-20½ x 7	1-17 13/16 x 50 5/16 1-17 13/16 x 19 13/16	1-17 13/16 x 5 5/16
TUB2190 R-L	1-19 x 54½ 1-19 x 21	1-19 x 6½	1-20½ x 54½ 1-20½ x 21½	1-20½ x 7	1-17 13/16 x 53 5/16 1-17 13/16 x 19 13/16	1-17 13/16 x 5 5/16
TUB2193 R-L	1-19 x 57½ 1-19 x 21	1-19 x 6½	1-20½ x 57½ 1-20½ x 21½	1-20½ x 7	1-17 13/16 x 56 5/16 1-17 13/16 x 19 13/16	1-17 13/16 x 5 5/16
TUB2196 R-L	1-19 x 60½ 1-19 x 21	1-19 x 6½	1-20½ x 60½ 1-20½ x 21½	1-20½ x 7	1-17 13/16 x 59 5/16 1-17 13/16 x 19 13/16	1-17 13/16 x 5 5/16
TUF1584 R-L	1-13 x 48½ 1-13 x 28		1-14½ x 48½ 1-14½ x 29		1-11 13/16 x 47 5/16 1-11 13/16 x 26 13/16	
TUF1587 R-L	1-13 x 51½ 1-13 x 28		1-14½ x 51½ 1-14½ x 29		1-11 13/16 x 50 5/16 1-11 13/16 x 26 13/16	
TUF1590 R-L	1-13 x 54½ 1-13 x 28		1-14½ x 54½ 1-14½ x 29		1-11 13/16 x 53 5/16 1-11 13/16 x 26 13/16	
TUF1593 R-L	1-13 x 57½ 1-13 x 28		1-14½ x 57½ 1-14½ x 29		1-11 13/16 x 56 5/16 1-11 13/16 x 26 13/16	
TUF1596 R-L	1-13 x 60½ 1-13 x 28		1-14½ x 60½ 1-14½ x 29		1-11 13/16 x 59 5/16 1-11 13/16 x 26 13/16	
TUF1884 R-L	1-16 x 48½ 1-16 x 28		1-17½ x 48½ 1-17½ x 29		1-14 13/16 x 47 5/16 1-14 13/16 x 26 13/16	
TUF1887 R-L	1-16 x 51½ 1-16 x 28		1-17½ x 51½ 1-17½ x 29		1-14 13/16 x 50 5/16 1-14 13/16 x 26 13/16	
TUF1890 R-L	1-16 x 54½ 1-16 x 28		1-17½ x 54½ 1-17½ x 29		1-14 13/16 x 53 5/16 1-14 13/16 x 26 13/16	
TUF1893 R-L	1-16 x 57½ 1-16 x 28		1-17½ x 57½ 1-17½ x 29		1-14 13/16 x 56 5/16 1-14 13/16 x 26 13/16	
TUF1896 R-L	1-16 x 60½ 1-16 x 28		1-17½ x 60½ 1-17½ x 29		1-14 13/16 x 59 5/16 1-14 13/16 x 26 13/16	
TUF2184 R-L	1-19 x 48½ 1-19 x 28		1-20½ x 48½ 1-20½ x 29		1-17 13/16 x 47 5/16 1-17 13/16 x 26 13/16	
TUF2187 R-L	1-19 x 51½ 1-19 x 28		1-20½ x 51½ 1-20½ x 29		1-17 13/16 x 50 5/16 1-17 13/16 x 26 13/16	
TUF2190 R-L	1-19 x 54½ 1-19 x 28		1-20½ x 54½ 1-20½ x 29		1-17 13/16 x 53 5/16 1-17 13/16 x 26 13/16	
TUF2193 R-L	1-19 x 57½ 1-19 x 28		1-20½ x 57½ 1-20½ x 29		1-17 13/16 x 56 5/16 1-17 13/16 x 26 13/16	

Door & Drawer Front Sizes

PREFERRED
BY KARMAN

Cabinet	HALF OVERLAY		FULL OVERLAY		INSET	
	Door	Drawer Front	Door	Drawer Front	Door	Drawer Front
TUF2196 R-L	1-19 x 60½		1-20½ x 60½		1-17 13/16 x 59 5/16	
	1-19 x 28		1-20½ x 29		1-17 13/16 x 26 13/16	
TW1242 R-L	1-10 x 10		1-11½ x 10½		1-8 13/16 x 27 13/16	
	1-10 x 29		1-11½ x 29½		1-8 13/16 x 8 13/16	
TW1248 R-L	1-10 x 16		1-11½ x 16½		1-8 13/16 x 27 13/16	
	1-10 x 29		1-11½ x 29½		1-8 13/16 x 14 13/16	
TW1254 R-L	1-10 x 16		1-11½ x 16½		1-8 13/16 x 33 13/16	
	1-10 x 35		1-11½ x 35½		1-8 13/16 x 14 13/16	
TW1542 R-L	1-13 x 10		1-14½ x 10½		1-11 13/16 x 27 13/16	
	1-13 x 29		1-14½ x 29½		1-11 13/16 x 8 13/16	
TW1548 R-L	1-13 x 16		1-14½ x 16½		1-11 13/16 x 27 13/16	
	1-13 x 29		1-14½ x 29½		1-11 13/16 x 14 13/16	
TW1554 R-L	1-13 x 16		1-14½ x 16½		1-11 13/16 x 33 13/16	
	1-13 x 35		1-14½ x 35½		1-11 13/16 x 14 13/16	
TW1842 R-L	1-16 x 10		1-17½ x 10½		1-14 13/16 x 27 13/16	
	1-16 x 29		1-17½ x 29½		1-14 13/16 x 8 13/16	
TW1848 R-L	1-16 x 16		1-17½ x 16½		1-14 13/16 x 27 13/16	
	1-16 x 29		1-17½ x 29½		1-14 13/16 x 14 13/16	
TW1854 R-L	1-16 x 16		1-17½ x 16½		1-14 13/16 x 33 13/16	
	1-16 x 35		1-17½ x 35½		1-14 13/16 x 14 13/16	
TW2142 R-L	1-19 x 10		1-20½ x 10½		1-17 13/16 x 27 13/16	
	1-19 x 29		1-20½ x 29½		1-17 13/16 x 8 13/16	
TW2148 R-L	1-19 x 16		1-20½ x 16½		1-17 13/16 x 27 13/16	
	1-19 x 29		1-20½ x 29½		1-17 13/16 x 14 13/16	
TW2154 R-L	1-19 x 16		1-20½ x 16½		1-17 13/16 x 33 13/16	
	1-19 x 35		1-20½ x 35½		1-17 13/16 x 14 13/16	
TW2442 R-L	1-22 x 10		1-23½ x 10½		1-20 13/16 x 27 13/16	
	1-22 x 29		1-23½ x 29½		1-20 13/16 x 8 13/16	
TW2448 R-L	1-22 x 16		1-23½ x 16½		1-20 13/16 x 27 13/16	
	1-22 x 29		1-23½ x 29½		1-20 13/16 x 14 13/16	
TW2454 R-L	1-22 x 16		1-23½ x 16½		1-20 13/16 x 33 13/16	
	1-22 x 35		1-23½ x 35½		1-20 13/16 x 14 13/16	
TW2442 B	2-10 15/16 x 10		2-11 11/16 x 10½		2-10 3/8 x 27 13/16	
	2-10 15/16 x 29		2-11 11/16 x 29½		2-10 3/8 x 8 13/16	
TW2448 B	2-10 15/16 x 16		2-11 11/16 x 16½		2-10 3/8 x 27 13/16	
	2-10 15/16 x 29		2-11 11/16 x 29½		2-10 3/8 x 14 13/16	
TW2454 B	2-10 15/16 x 16		2-11 11/16 x 16½		2-10 3/8 x 33 13/16	
	2-10 15/16 x 35		2-11 11/16 x 35½		2-10 3/8 x 14 13/16	
TW2742 B	2-12 7/16 x 10		2-13 3/16 x 10½		2-11 7/8 x 27 13/16	
	2-12 7/16 x 29		2-13 3/16 x 29½		2-11 7/8 x 8 13/16	
TW2748 B	2-12 7/16 x 16		2-13 3/16 x 16½		2-11 7/8 x 27 13/16	
	2-12 7/16 x 29		2-13 3/16 x 29½		2-11 7/8 x 14 13/16	
TW2754 B	2-12 7/16 x 16		2-13 3/16 x 16½		2-11 7/8 x 33 13/16	
	2-12 7/16 x 35		2-13 3/16 x 35½		2-11 7/8 x 14 13/16	
TW3042 B	2-13 15/16 x 10		2-14 11/16 x 10½		2-13 3/8 x 27 13/16	
	2-13 15/16 x 29		2-14 11/16 x 29½		2-13 3/8 x 8 13/16	

Door & Drawer Front Sizes

Cabinet	HALF OVERLAY		FULL OVERLAY		INSET	
	Door	Drawer Front	Door	Drawer Front	Door	Drawer Front
TW3048 B	2 - 13 15/16 x 16		2 - 14 11/16 x 16 1/2		2 - 13 3/8 x 27 13/16	
	2 - 13 15/16 x 29		2 - 14 11/16 x 29 1/2		2 - 13 3/8 x 14 13/16	
TW3054 B	2 - 13 15/16 x 16		2 - 14 11/16 x 16 1/2		2 - 13 3/8 x 33 13/16	
	2 - 13 15/16 x 35		2 - 14 11/16 x 35 1/2		2 - 13 3/8 x 14 13/16	
TW3342 B	2 - 15 7/16 x 10		2 - 16 3/16 x 10 1/2		2 - 14 7/8 x 27 13/16	
	2 - 15 7/16 x 29		2 - 16 3/16 x 29 1/2		2 - 14 7/8 x 8 13/16	
TW3348 B	2 - 15 7/16 x 16		2 - 16 3/16 x 16 1/2		2 - 14 7/8 x 27 13/16	
	2 - 15 7/16 x 29		2 - 16 3/16 x 29 1/2		2 - 14 7/8 x 14 13/16	
TW3354 B	2 - 15 7/16 x 16		2 - 16 3/16 x 16 1/2		2 - 14 7/8 x 33 13/16	
	2 - 15 7/16 x 35		2 - 16 3/16 x 35 1/2		2 - 14 7/8 x 14 13/16	
TW3642 B	2 - 16 15/16 x 10		2 - 17 11/16 x 10 1/2		2 - 16 3/8 x 27 13/16	
	2 - 16 15/16 x 29		2 - 17 11/16 x 29 1/2		2 - 16 3/8 x 8 13/16	
TW3648 B	2 - 16 15/16 x 16		2 - 17 11/16 x 16 1/2		2 - 16 3/8 x 27 13/16	
	2 - 16 15/16 x 29		2 - 17 11/16 x 29 1/2		2 - 16 3/8 x 14 13/16	
TW3654 B	2 - 16 15/16 x 16		2 - 17 11/16 x 16 1/2		2 - 16 3/8 x 33 13/16	
	2 - 16 15/16 x 35		2 - 17 11/16 x 35 1/2		2 - 16 3/8 x 14 13/16	
UF15-1884 R-L	1 - 13 x 28		1 - 14 1/2 x 28 1/2		1 - 11 13/16 x 26 13/16	
	1 - 13 x 48 1/2		1 - 14 1/2 x 49		1 - 11 13/16 x 47 5/16	
UF15-1887 R-L	1 - 13 x 31		1 - 14 1/2 x 31 1/2		1 - 11 13/16 x 29 13/16	
	1 - 13 x 48 1/2		1 - 14 1/2 x 49		1 - 11 13/16 x 47 5/16	
UF15-1890 R-L	1 - 13 x 34		1 - 14 1/2 x 34 1/2		1 - 11 13/16 x 32 13/16	
	1 - 13 x 48 1/2		1 - 14 1/2 x 49		1 - 11 13/16 x 47 5/16	
UF15-1893 R-L	1 - 13 x 37		1 - 14 1/2 x 37 1/2		1 - 11 13/16 x 35 13/16	
	1 - 13 x 48 1/2		1 - 14 1/2 x 49		1 - 11 13/16 x 47 5/16	
UF15-1896 R-L	1 - 13 x 40		1 - 14 1/2 x 40 1/2		1 - 11 13/16 x 38 13/16	
	1 - 13 x 48 1/2		1 - 14 1/2 x 49		1 - 11 13/16 x 47 5/16	
UF18-2184 R-L	1 - 16 x 28		1 - 17 1/2 x 28 1/2		1 - 14 13/16 x 26 13/16	
	1 - 16 x 48 1/2		1 - 17 1/2 x 49		1 - 14 13/16 x 47 5/16	
UF18-2187 R-L	1 - 16 x 31		1 - 17 1/2 x 31 1/2		1 - 14 13/16 x 29 13/16	
	1 - 16 x 48 1/2		1 - 17 1/2 x 49		1 - 14 13/16 x 47 5/16	
UF18-2190 R-L	1 - 16 x 34		1 - 17 1/2 x 34 1/2		1 - 14 13/16 x 32 13/16	
	1 - 16 x 48 1/2		1 - 17 1/2 x 49		1 - 14 13/16 x 47 5/16	
UF18-2193 R-L	1 - 16 x 37		1 - 17 1/2 x 37 1/2		1 - 14 13/16 x 35 13/16	
	1 - 16 x 48 1/2		1 - 17 1/2 x 49		1 - 14 13/16 x 47 5/16	
UF18-2196 R-L	1 - 16 x 40		1 - 17 1/2 x 40 1/2		1 - 14 13/16 x 38 13/16	
	1 - 16 x 48 1/2		1 - 17 1/2 x 49		1 - 14 13/16 x 47 5/16	
UF21-2484 R-L	1 - 19 x 28		1 - 20 1/2 x 28 1/2		1 - 17 13/16 x 26 13/16	
	1 - 19 x 48 1/2		1 - 20 1/2 x 49		1 - 17 13/16 x 47 5/16	
UF21-2487 R-L	1 - 19 x 31		1 - 20 1/2 x 31 1/2		1 - 17 13/16 x 29 13/16	
	1 - 19 x 48 1/2		1 - 20 1/2 x 49		1 - 17 13/16 x 47 5/16	
UF21-2490 R-L	1 - 19 x 34		1 - 20 1/2 x 34 1/2		1 - 17 13/16 x 32 13/16	
	1 - 19 x 48 1/2		1 - 20 1/2 x 49		1 - 17 13/16 x 47 5/16	
UF21-2493 R-L	1 - 19 x 37		1 - 20 1/2 x 37 1/2		1 - 17 13/16 x 35 13/16	
	1 - 19 x 48 1/2		1 - 20 1/2 x 49		1 - 17 13/16 x 47 5/16	
UF21-2496 R-L	1 - 19 x 40		1 - 20 1/2 x 40 1/2		1 - 17 13/16 x 38 13/16	
	1 - 19 x 48 1/2		1 - 20 1/2 x 49		1 - 17 13/16 x 47 5/16	

Door & Drawer Front Sizes

PREFERRED
BY KARMAN

Cabinet	HALF OVERLAY		FULL OVERLAY		INSET	
	Door	Drawer Front	Door	Drawer Front	Door	Drawer Front
UF24-2784 B	2 - 10 15/16 x 28		2 - 11 1/16 x 28 1/2		2 - 10 3/8 x 26 13/16	
	2 - 10 15/16 x 48 1/2		2 - 11 1/16 x 49		2 - 10 3/8 x 47 5/16	
UF24-2787 B	2 - 10 15/16 x 31		2 - 11 1/16 x 31 1/2		2 - 10 3/8 x 29 13/16	
	2 - 10 15/16 x 48 1/2		2 - 11 1/16 x 49		2 - 10 3/8 x 47 5/16	
UF24-2790 B	2 - 10 15/16 x 34		2 - 11 1/16 x 34 1/2		2 - 10 3/8 x 32 13/16	
	2 - 10 15/16 x 48 1/2		2 - 11 1/16 x 49		2 - 10 3/8 x 47 5/16	
UF24-2793 B	2 - 10 15/16 x 37		2 - 11 1/16 x 37 1/2		2 - 10 3/8 x 35 13/16	
	2 - 10 15/16 x 48 1/2		2 - 11 1/16 x 49		2 - 10 3/8 x 47 5/16	
UF24-2796 B	2 - 10 15/16 x 40		2 - 11 1/16 x 40 1/2		2 - 10 3/8 x 38 13/16	
	2 - 10 15/16 x 48 1/2		2 - 11 1/16 x 49		2 - 10 3/8 x 47 5/16	
UF24-2784 R-L	1 - 22 x 28		1 - 23 1/2 x 28 1/2		1 - 20 13/16 x 26 13/16	
	1 - 22 x 48 1/2		1 - 23 1/2 x 49		1 - 20 13/16 x 47 5/16	
UF24-2787 R-L	1 - 22 x 31		1 - 23 1/2 x 31 1/2		1 - 20 13/16 x 29 13/16	
	1 - 22 x 48 1/2		1 - 23 1/2 x 49		1 - 20 13/16 x 47 5/16	
UF24-2790 R-L	1 - 22 x 34		1 - 23 1/2 x 34 1/2		1 - 20 13/16 x 32 13/16	
	1 - 22 x 48 1/2		1 - 23 1/2 x 49		1 - 20 13/16 x 47 5/16	
UF24-2793 R-L	1 - 22 x 37		1 - 23 1/2 x 37 1/2		1 - 20 13/16 x 35 13/16	
	1 - 22 x 48 1/2		1 - 23 1/2 x 49		1 - 20 13/16 x 47 5/16	
UF24-2796 R-L	1 - 22 x 40		1 - 23 1/2 x 40 1/2		1 - 20 13/16 x 38 13/16	
	1 - 22 x 48 1/2		1 - 23 1/2 x 49		1 - 20 13/16 x 47 5/16	
UF27-3084 B	2 - 12 7/16 x 28		2 - 13 3/16 x 28 1/2		2 - 11 7/8 x 26 13/16	
	2 - 12 7/16 x 48 1/2		2 - 13 3/16 x 49		2 - 11 7/8 x 47 5/16	
UF27-3087 B	2 - 12 7/16 x 31		2 - 13 3/16 x 31 1/2		2 - 11 7/8 x 29 13/16	
	2 - 12 7/16 x 48 1/2		2 - 13 3/16 x 49		2 - 11 7/8 x 47 5/16	
UF27-3090 B	2 - 12 7/16 x 34		2 - 13 3/16 x 34 1/2		2 - 11 7/8 x 32 13/16	
	2 - 12 7/16 x 48 1/2		2 - 13 3/16 x 49		2 - 11 7/8 x 47 5/16	
UF27-3093 B	2 - 12 7/16 x 37		2 - 13 3/16 x 37 1/2		2 - 11 7/8 x 35 13/16	
	2 - 12 7/16 x 48 1/2		2 - 13 3/16 x 49		2 - 11 7/8 x 47 5/16	
UF27-3096 B	2 - 12 7/16 x 40		2 - 13 3/16 x 40 1/2		2 - 11 7/8 x 38 13/16	
	2 - 12 7/16 x 48 1/2		2 - 13 3/16 x 49		2 - 11 7/8 x 47 5/16	
UF30-3384 B	2 - 13 15/16 x 28		2 - 14 11/16 x 28 1/2		2 - 13 3/8 x 26 13/16	
	2 - 13 15/16 x 48 1/2		2 - 14 11/16 x 49		2 - 13 3/8 x 47 5/16	
UF30-3387 B	2 - 13 15/16 x 31		2 - 14 11/16 x 31 1/2		2 - 13 3/8 x 29 13/16	
	2 - 13 15/16 x 48 1/2		2 - 14 11/16 x 49		2 - 13 3/8 x 47 5/16	
UF30-3390 B	2 - 13 15/16 x 34		2 - 14 11/16 x 34 1/2		2 - 13 3/8 x 32 13/16	
	2 - 13 15/16 x 48 1/2		2 - 14 11/16 x 49		2 - 13 3/8 x 47 5/16	
UF30-3393 B	2 - 13 15/16 x 37		2 - 14 11/16 x 37 1/2		2 - 13 3/8 x 35 13/16	
	2 - 13 15/16 x 48 1/2		2 - 14 11/16 x 49		2 - 13 3/8 x 47 5/16	
UF30-3396 B	2 - 13 15/16 x 40		2 - 14 11/16 x 40 1/2		2 - 13 3/8 x 38 13/16	
	2 - 13 15/16 x 48 1/2		2 - 14 11/16 x 49		2 - 13 3/8 x 47 5/16	
UF33-3684 B	2 - 15 7/16 x 28		2 - 16 3/16 x 28 1/2		2 - 14 7/8 x 26 13/16	
	2 - 15 7/16 x 48 1/2		2 - 16 3/16 x 49		2 - 14 7/8 x 47 5/16	
UF33-3687 B	2 - 15 7/16 x 31		2 - 16 3/16 x 31 1/2		2 - 14 7/8 x 29 13/16	
	2 - 15 7/16 x 48 1/2		2 - 16 3/16 x 49		2 - 14 7/8 x 47 5/16	
UF33-3690 B	2 - 15 7/16 x 34		2 - 16 3/16 x 34 1/2		2 - 14 7/8 x 32 13/16	
	2 - 15 7/16 x 48 1/2		2 - 16 3/16 x 49		2 - 14 7/8 x 47 5/16	

Door & Drawer Front Sizes

Cabinet	HALF OVERLAY		FULL OVERLAY		INSET	
	Door	Drawer Front	Door	Drawer Front	Door	Drawer Front
UF33-3693 B	2 - 15 7/16 x 37		2 - 16 3/16 x 37 1/2		2 - 14 7/8 x 35 13/16	
	2 - 15 7/16 x 48 1/2		2 - 16 3/16 x 49		2 - 14 7/8 x 47 5/16	
UF33-3696 B	2 - 15 7/16 x 40		2 - 16 3/16 x 40 1/2		2 - 14 7/8 x 38 13/16	
	2 - 15 7/16 x 48 1/2		2 - 16 3/16 x 49		2 - 14 7/8 x 47 5/16	
UF36-3984 B	2 - 16 15/16 x 28		2 - 17 11/16 x 28 1/2		2 - 16 3/8 x 26 13/16	
	2 - 16 15/16 x 48 1/2		2 - 17 11/16 x 49		2 - 16 3/8 x 47 5/16	
UF36-3987 B	2 - 16 15/16 x 31		2 - 17 11/16 x 31 1/2		2 - 16 3/8 x 29 13/16	
	2 - 16 15/16 x 48 1/2		2 - 17 11/16 x 49		2 - 16 3/8 x 47 5/16	
UF36-3990 B	2 - 16 15/16 x 34		2 - 17 11/16 x 34 1/2		2 - 16 3/8 x 32 13/16	
	2 - 16 15/16 x 48 1/2		2 - 17 11/16 x 49		2 - 16 3/8 x 47 5/16	
UF36-3993 B	2 - 16 15/16 x 37		2 - 17 11/16 x 37 1/2		2 - 16 3/8 x 35 13/16	
	2 - 16 15/16 x 48 1/2		2 - 17 11/16 x 49		2 - 16 3/8 x 47 5/16	
UF36-3996 B	2 - 16 15/16 x 40		2 - 17 11/16 x 40 1/2		2 - 16 3/8 x 38 13/16	
	2 - 16 15/16 x 48 1/2		2 - 17 11/16 x 49		2 - 16 3/8 x 47 5/16	
UT1284-12-24 R-L	1 - 10 x 28		1 - 11 1/2 x 28 1/2		1 - 8 13/16 x 26 13/16	
	1 - 10 x 48 1/2		1 - 11 1/2 x 49		1 - 8 13/16 x 47 5/16	
UT1287-12-24 R-L	1 - 10 x 31		1 - 11 1/2 x 31 1/2		1 - 8 13/16 x 29 13/16	
	1 - 10 x 48 1/2		1 - 11 1/2 x 49		1 - 8 13/16 x 47 5/16	
UT1290-12-24 R-L	1 - 10 x 34		1 - 11 1/2 x 34 1/2		1 - 8 13/16 x 32 13/16	
	1 - 10 x 48 1/2		1 - 11 1/2 x 49		1 - 8 13/16 x 47 5/16	
UT1293-12-24 R-L	1 - 10 x 37		1 - 11 1/2 x 37 1/2		1 - 8 13/16 x 35 13/16	
	1 - 10 x 48 1/2		1 - 11 1/2 x 49		1 - 8 13/16 x 47 5/16	
UT1296-12-24 R-L	1 - 10 x 40		1 - 11 1/2 x 40 1/2		1 - 8 13/16 x 38 13/16	
	1 - 10 x 48 1/2		1 - 11 1/2 x 49		1 - 8 13/16 x 47 5/16	
UT1584-12-24 R-L	1 - 13 x 28		1 - 14 1/2 x 28 1/2		1 - 11 13/16 x 26 13/16	
	1 - 13 x 48 1/2		1 - 14 1/2 x 49		1 - 11 13/16 x 47 5/16	
UT1587-12-24 R-L	1 - 13 x 31		1 - 14 1/2 x 31 1/2		1 - 11 13/16 x 29 13/16	
	1 - 13 x 48 1/2		1 - 14 1/2 x 49		1 - 11 13/16 x 47 5/16	
UT1590-12-24 R-L	1 - 13 x 34		1 - 14 1/2 x 34 1/2		1 - 11 13/16 x 32 13/16	
	1 - 13 x 48 1/2		1 - 14 1/2 x 49		1 - 11 13/16 x 47 5/16	
UT1593-12-24 R-L	1 - 13 x 37		1 - 14 1/2 x 37 1/2		1 - 11 13/16 x 35 13/16	
	1 - 13 x 48 1/2		1 - 14 1/2 x 49		1 - 11 13/16 x 47 5/16	
UT1596-12-24 R-L	1 - 13 x 40		1 - 14 1/2 x 40 1/2		1 - 11 13/16 x 38 13/16	
	1 - 13 x 48 1/2		1 - 14 1/2 x 49		1 - 11 13/16 x 47 5/16	
UT1884-12-24 R-L	1 - 16 x 28		1 - 17 1/2 x 28 1/2		1 - 14 13/16 x 26 13/16	
	1 - 16 x 48 1/2		1 - 17 1/2 x 49		1 - 14 13/16 x 47 5/16	
UT1887-12-24 R-L	1 - 16 x 31		1 - 17 1/2 x 31 1/2		1 - 14 13/16 x 29 13/16	
	1 - 16 x 48 1/2		1 - 17 1/2 x 49		1 - 14 13/16 x 47 5/16	
UT1890-12-24 R-L	1 - 16 x 34		1 - 17 1/2 x 34 1/2		1 - 14 13/16 x 32 13/16	
	1 - 16 x 48 1/2		1 - 17 1/2 x 49		1 - 14 13/16 x 47 5/16	
UT1893-12-24 R-L	1 - 16 x 37		1 - 17 1/2 x 37 1/2		1 - 14 13/16 x 35 13/16	
	1 - 16 x 48 1/2		1 - 17 1/2 x 49		1 - 14 13/16 x 47 5/16	
UT1896-12-24 R-L	1 - 16 x 40		1 - 17 1/2 x 40 1/2		1 - 14 13/16 x 38 13/16	
	1 - 16 x 48 1/2		1 - 17 1/2 x 49		1 - 14 13/16 x 47 5/16	
UT2184-12-24 R-L	1 - 19 x 28		1 - 20 1/2 x 28 1/2		1 - 17 13/16 x 26 13/16	
	1 - 19 x 48 1/2		1 - 20 1/2 x 49		1 - 17 13/16 x 47 5/16	

Door & Drawer Front Sizes

PREFERRED
BY KARMAN

Cabinet	HALF OVERLAY		FULL OVERLAY		INSET	
	Door	Drawer Front	Door	Drawer Front	Door	Drawer Front
UT2187-12-24 R-L	1-19 x 31		1-20½ x 31½		1-17 13/16 x 29 13/16	
	1-19 x 48½		1-20½ x 49		1-17 13/16 x 47 5/16	
UT2190-12-24 R-L	1-19 x 34		1-20½ x 34½		1-17 13/16 x 32 13/16	
	1-19 x 48½		1-20½ x 49		1-17 13/16 x 47 5/16	
UT2193-12-24 R-L	1-19 x 37		1-20½ x 37½		1-17 13/16 x 35 13/16	
	1-19 x 48½		1-20½ x 49		1-17 13/16 x 47 5/16	
UT2196-12-24 R-L	1-19 x 40		1-20½ x 40½		1-17 13/16 x 38 13/16	
	1-19 x 48½		1-20½ x 49		1-17 13/16 x 47 5/16	
UT2484-12-24 R-L	1-22 x 28		1-23½ x 28½		1-20 13/16 x 26 13/16	
	1-22 x 48½		1-23½ x 49		1-20 13/16 x 47 5/16	
UT2487-12-24 R-L	1-22 x 31		1-23½ x 31½		1-20 13/16 x 29 13/16	
	1-22 x 48½		1-23½ x 49		1-20 13/16 x 47 5/16	
UT2490-12-24 R-L	1-22 x 34		1-23½ x 34½		1-20 13/16 x 32 13/16	
	1-22 x 48½		1-23½ x 49		1-20 13/16 x 47 5/16	
UT2493-12-24 R-L	1-22 x 37		1-23½ x 37½		1-20 13/16 x 35 13/16	
	1-22 x 48½		1-23½ x 49		1-20 13/16 x 47 5/16	
UT2496-12-24 R-L	1-22 x 40		1-23½ x 40½		1-20 13/16 x 38 13/16	
	1-22 x 48½		1-23½ x 49		1-20 13/16 x 47 5/16	
UT2484-12-24 B	2-10 15/16 x 28		2-11 1/16 x 28½		2-10 3/8 x 26 13/16	
	2-10 15/16 x 48½		2-11 1/16 x 49		2-10 3/8 x 47 5/16	
UT2487-12-24 B	2-10 15/16 x 31		2-11 1/16 x 31½		2-10 3/8 x 29 13/16	
	2-10 15/16 x 48½		2-11 1/16 x 49		2-10 3/8 x 47 5/16	
UT2490-12-24 B	2-10 15/16 x 34		2-11 1/16 x 34½		2-10 3/8 x 32 13/16	
	2-10 15/16 x 48½		2-11 1/16 x 49		2-10 3/8 x 47 5/16	
UT2493-12-24 B	2-10 15/16 x 37		2-11 1/16 x 37½		2-10 3/8 x 35 13/16	
	2-10 15/16 x 48½		2-11 1/16 x 49		2-10 3/8 x 47 5/16	
UT2496-12-24 B	2-10 15/16 x 40		2-11 1/16 x 40½		2-10 3/8 x 38 13/16	
	2-10 15/16 x 48½		2-11 1/16 x 49		2-10 3/8 x 47 5/16	
UT2784-12-24 B	2-12 7/16 x 28		2-13 3/16 x 28½		2-11 7/8 x 26 13/16	
	2-12 7/16 x 48½		2-13 3/16 x 49		2-11 7/8 x 47 5/16	
UT2787-12-24 B	2-12 7/16 x 31		2-13 3/16 x 31½		2-11 7/8 x 29 13/16	
	2-12 7/16 x 48½		2-13 3/16 x 49		2-11 7/8 x 47 5/16	
UT2790-12-24 B	2-12 7/16 x 34		2-13 3/16 x 34½		2-11 7/8 x 32 13/16	
	2-12 7/16 x 48½		2-13 3/16 x 49		2-11 7/8 x 47 5/16	
UT2793-12-24 B	2-12 7/16 x 37		2-13 3/16 x 37½		2-11 7/8 x 35 13/16	
	2-12 7/16 x 48½		2-13 3/16 x 49		2-11 7/8 x 47 5/16	
UT2796-12-24 B	2-12 7/16 x 40		2-13 3/16 x 40½		2-11 7/8 x 38 13/16	
	2-12 7/16 x 48½		2-13 3/16 x 49		2-11 7/8 x 47 5/16	
UT3084-12-24 B	2-13 15/16 x 28		2-14 1/16 x 28½		2-13 3/8 x 26 13/16	
	2-13 15/16 x 48½		2-14 1/16 x 49		2-13 3/8 x 47 5/16	
UT3087-12-24 B	2-13 15/16 x 31		2-14 1/16 x 31½		2-13 3/8 x 29 13/16	
	2-13 15/16 x 48½		2-14 1/16 x 49		2-13 3/8 x 47 5/16	
UT3090-12-24 B	2-13 15/16 x 34		2-14 1/16 x 34½		2-13 3/8 x 32 13/16	
	2-13 15/16 x 48½		2-14 1/16 x 49		2-13 3/8 x 47 5/16	
UT3093-12-24 B	2-13 15/16 x 37		2-14 1/16 x 37½		2-13 3/8 x 35 13/16	
	2-13 15/16 x 48½		2-14 1/16 x 49		2-13 3/8 x 47 5/16	

Door & Drawer Front Sizes

Cabinet	HALF OVERLAY		FULL OVERLAY		INSET	
	Door	Drawer Front	Door	Drawer Front	Door	Drawer Front
UT3096-12-24 B	2 - 13 15/16 x 40		2 - 14 11/16 x 40 1/2		2 - 13 3/8 x 38 13/16	
	2 - 13 15/16 x 48 1/2		2 - 14 11/16 x 49		2 - 13 3/8 x 47 5/16	
UT3384-12-24 B	2 - 15 7/16 x 28		2 - 16 3/16 x 28 1/2		2 - 14 7/8 x 26 13/16	
	2 - 15 7/16 x 48 1/2		2 - 16 3/16 x 49		2 - 14 7/8 x 47 5/16	
UT3387-12-24 B	2 - 15 7/16 x 31		2 - 16 3/16 x 31 1/2		2 - 14 7/8 x 29 13/16	
	2 - 15 7/16 x 48 1/2		2 - 16 3/16 x 49		2 - 14 7/8 x 47 5/16	
UT3390-12-24 B	2 - 15 7/16 x 34		2 - 16 3/16 x 34 1/2		2 - 14 7/8 x 32 13/16	
	2 - 15 7/16 x 48 1/2		2 - 16 3/16 x 49		2 - 14 7/8 x 47 5/16	
UT3393-12-24 B	2 - 15 7/16 x 37		2 - 16 3/16 x 37 1/2		2 - 14 7/8 x 35 13/16	
	2 - 15 7/16 x 48 1/2		2 - 16 3/16 x 49		2 - 14 7/8 x 47 5/16	
UT3396-12-24 B	2 - 15 7/16 x 40		2 - 16 3/16 x 40 1/2		2 - 14 7/8 x 38 13/16	
	2 - 15 7/16 x 48 1/2		2 - 16 3/16 x 49		2 - 14 7/8 x 47 5/16	
UT3684-12-24 B	2 - 16 15/16 x 28		2 - 17 11/16 x 28 1/2		2 - 16 3/8 x 26 13/16	
	2 - 16 15/16 x 48 1/2		2 - 17 11/16 x 49		2 - 16 3/8 x 47 5/16	
UT3687-12-24 B	2 - 16 15/16 x 31		2 - 17 11/16 x 31 1/2		2 - 16 3/8 x 29 13/16	
	2 - 16 15/16 x 48 1/2		2 - 17 11/16 x 49		2 - 16 3/8 x 47 5/16	
UT3690-12-24 B	2 - 16 15/16 x 34		2 - 17 11/16 x 34 1/2		2 - 16 3/8 x 32 13/16	
	2 - 16 15/16 x 48 1/2		2 - 17 11/16 x 49		2 - 16 3/8 x 47 5/16	
UT3693-12-24 B	2 - 16 15/16 x 37		2 - 17 11/16 x 37 1/2		2 - 16 3/8 x 35 13/16	
	2 - 16 15/16 x 48 1/2		2 - 17 11/16 x 49		2 - 16 3/8 x 47 5/16	
UT3696-12-24 B	2 - 16 15/16 x 40		2 - 17 11/16 x 40 1/2		2 - 16 3/8 x 38 13/16	
	2 - 16 15/16 x 48 1/2		2 - 17 11/16 x 49		2 - 16 3/8 x 47 5/16	
UT3D1884-18-24 R-L	1 - 16 x 48 1/2	1 - 16 x 6 1/2	1 - 17 1/2 x 48 1/2	1 - 17 1/2 x 7	1 - 14 13/16 x 47 5/16	1 - 14 13/16 x 55 1/16
		2 - 16 x 10 1/4		1 - 17 1/2 x 10 1/4		2 - 14 13/16 x 9 1/16
				1 - 17 1/2 x 10 3/4		
UT3D1887-18-24 R-L	1 - 16 x 51 1/2	1 - 16 x 6 1/2	1 - 17 1/2 x 51 1/2	1 - 17 1/2 x 7	1 - 14 13/16 x 50 5/16	1 - 14 13/16 x 55 1/16
		2 - 16 x 10 1/4		1 - 17 1/2 x 10 1/4		2 - 14 13/16 x 9 1/16
				1 - 17 1/2 x 10 3/4		
UT3D1890-18-24 R-L	1 - 16 x 54 1/2	1 - 16 x 6 1/2	1 - 17 1/2 x 54 1/2	1 - 17 1/2 x 7	1 - 14 13/16 x 53 5/16	1 - 14 13/16 x 55 1/16
		2 - 16 x 10 1/4		1 - 17 1/2 x 10 1/4		2 - 14 13/16 x 9 1/16
				1 - 17 1/2 x 10 3/4		
UT3D1893-18-24 R-L	1 - 16 x 57 1/2	1 - 16 x 6 1/2	1 - 17 1/2 x 57 1/2	1 - 17 1/2 x 7	1 - 14 13/16 x 56 5/16	1 - 14 13/16 x 55 1/16
		2 - 16 x 10 1/4		1 - 17 1/2 x 10 1/4		2 - 14 13/16 x 9 1/16
				1 - 17 1/2 x 10 3/4		
UT3D1896-18-24 R-L	1 - 16 x 60 1/2	1 - 16 x 6 1/2	1 - 17 1/2 x 60 1/2	1 - 17 1/2 x 7	1 - 14 13/16 x 59 5/16	1 - 14 13/16 x 55 1/16
		2 - 16 x 10 1/4		1 - 17 1/2 x 10 1/4		2 - 14 13/16 x 9 1/16
				1 - 17 1/2 x 10 3/4		
UT3D2184-18-24 R-L	1 - 19 x 48 1/2	1 - 19 x 6 1/2	1 - 20 1/2 x 48 1/2	1 - 20 1/2 x 7	1 - 17 13/16 x 47 5/16	1 - 17 13/16 x 55 1/16
		2 - 19 x 10 1/4		1 - 20 1/2 x 10 1/4		2 - 17 13/16 x 9 1/16
				1 - 20 1/2 x 10 3/4		
UT3D2187-18-24 R-L	1 - 19 x 51 1/2	1 - 19 x 6 1/2	1 - 20 1/2 x 51 1/2	1 - 20 1/2 x 7	1 - 17 13/16 x 50 5/16	1 - 17 13/16 x 55 1/16
		2 - 19 x 10 1/4		1 - 20 1/2 x 10 1/4		2 - 17 13/16 x 9 1/16
				1 - 20 1/2 x 10 3/4		
UT3D2190-18-24 R-L	1 - 19 x 54 1/2	1 - 19 x 6 1/2	1 - 20 1/2 x 54 1/2	1 - 20 1/2 x 7	1 - 17 13/16 x 53 5/16	1 - 17 13/16 x 55 1/16
		2 - 19 x 10 1/4		1 - 20 1/2 x 10 1/4		2 - 17 13/16 x 9 1/16
				1 - 20 1/2 x 10 3/4		

Door & Drawer Front Sizes

PREFERRED
BY KARMAN

Cabinet	HALF OVERLAY		FULL OVERLAY		INSET	
	Door	Drawer Front	Door	Drawer Front	Door	Drawer Front
UT3D2193-18-24 R-L	1-19x57½	1-19x6½ 2-19x10¼	1-20½x57½	1-20½x7 1-20½x10¼ 1-20½x10¾	1-17 13/16x56 5/16	1-17 13/16x55 5/16 2-17 13/16x9 1/16
UT3D2196-18-24 R-L	1-19x60½	1-19x6½ 2-19x10¼	1-20½x60½	1-20½x7 1-20½x10¼ 1-20½x10¾	1-17 13/16x59 5/16	1-17 13/16x55 5/16 2-17 13/16x9 1/16
UT3D2484-18-24 R-L	1-22x48½	1-22x6½ 2-22x10¼	1-23½x48½	1-23½x7 1-23½x10¼ 1-23½x10¾	1-20 13/16x47 5/16	1-20 13/16x55 5/16 2-20 13/16x9 1/16
UT3D2487-18-24 R-L	1-22x51½	1-22x6½ 2-22x10¼	1-23½x51½	1-23½x7 1-23½x10¼ 1-23½x10¾	1-20 13/16x50 5/16	1-20 13/16x55 5/16 2-20 13/16x9 1/16
UT3D2490-18-24 R-L	1-22x54½	1-22x6½ 2-22x10¼	1-23½x54½	1-23½x7 1-23½x10¼ 1-23½x10¾	1-20 13/16x53 5/16	1-20 13/16x55 5/16 2-20 13/16x9 1/16
UT3D2493-18-24 R-L	1-22x57½	1-22x6½ 2-22x10¼	1-23½x57½	1-23½x7 1-23½x10¼ 1-23½x10¾	1-20 13/16x56 5/16	1-20 13/16x55 5/16 2-20 13/16x9 1/16
UT3D2496-18-24 R-L	1-22x60½	1-22x6½ 2-22x10¼	1-23½x60½	1-23½x7 1-23½x10¼ 1-23½x10¾	1-20 13/16x59 5/16	1-20 13/16x55 5/16 2-20 13/16x9 1/16
UT3D2484-18-24 B	2-10 15/16x48½	1-22x6½ 2-22x10¼	2-11 1/16x48½	1-23½x7 1-23½x10¼ 1-23½x10¾	2-10 3/8x47 5/16	1-20 13/16x55 5/16 2-20 13/16x9 1/16
UT3D2487-18-24 B	2-10 15/16x51½	1-22x6½ 2-22x10¼	2-11 1/16x51½	1-23½x7 1-23½x10¼ 1-23½x10¾	2-10 3/8x50 5/16	1-20 13/16x55 5/16 2-20 13/16x9 1/16
UT3D2490-18-24 B	2-10 15/16x54½	1-22x6½ 2-22x10¼	2-11 1/16x54½	1-23½x7 1-23½x10¼ 1-23½x10¾	2-10 3/8x53 5/16	1-20 13/16x55 5/16 2-20 13/16x9 1/16
UT3D2493-18-24 B	2-10 15/16x57½	1-22x6½ 2-22x10¼	2-11 1/16x57½	1-23½x7 1-23½x10¼ 1-23½x10¾	2-10 3/8x56 5/16	1-20 13/16x55 5/16 2-20 13/16x9 1/16
UT3D2496-18-24 B	2-10 15/16x60½	1-22x6½ 2-22x10¼	2-11 1/16x60½	1-23½x7 1-23½x10¼ 1-23½x10¾	2-10 3/8x59 5/16	1-20 13/16x55 5/16 2-20 13/16x9 1/16
UT3D2784-18-24 B	2-12 7/16x48½	1-25x6½ 2-25x10¼	2-13 3/16x48½	1-26½x7 1-26½x10¼ 1-26½x10¾	2-11 7/8x47 5/16	1-23 13/16x55 5/16 2-23 13/16x9 1/16
UT3D2787-18-24 B	2-12 7/16x51½	1-25x6½ 2-25x10¼	2-13 3/16x51½	1-26½x7 1-26½x10¼ 1-26½x10¾	2-11 7/8x50 5/16	1-23 13/16x55 5/16 2-23 13/16x9 1/16
UT3D2790-18-24 B	2-12 7/16x54½	1-25x6½ 2-25x10¼	2-13 3/16x54½	1-26½x7 1-26½x10¼ 1-26½x10¾	2-11 7/8x53 5/16	1-23 13/16x55 5/16 2-23 13/16x9 1/16
UT3D2793-18-24 B	2-12 7/16x57½	1-25x6½	2-13 3/16x57½	1-26½x7	2-11 7/8x56 5/16	1-23 13/16x55 5/16

Door & Drawer Front Sizes

Cabinet	HALF OVERLAY		FULL OVERLAY		INSET	
	Door	Drawer Front	Door	Drawer Front	Door	Drawer Front
		2-25 x 10¼		1-26½ x 10¼ 1-26½ x 10 3/4		2-23 13/16 x 9 1/16
UT3D2796-18-24 B	2-12 7/16 x 60½	1-25 x 6½ 2-25 x 10¼	2-13 3/16 x 60½	1-26½ x 7 1-26½ x 10¼ 1-26½ x 10 3/4	2-11 7/8 x 59 5/16	1-23 13/16 x 5 5/16 2-23 13/16 x 9 1/16
UT3D3084-18-24 B	2-13 15/16 x 48½	1-28 x 6½ 2-28 x 10¼	2-14 11/16 x 48½	1-29½ x 7 1-29½ x 10¼ 1-29½ x 10 3/4	2-13 3/8 x 47 5/16	1-26 13/16 x 5 5/16 2-26 13/16 x 9 1/16
UT3D3087-18-24 B	2-13 15/16 x 51½	1-28 x 6½ 2-28 x 10¼	2-14 11/16 x 51½	1-29½ x 7 1-29½ x 10¼ 1-29½ x 10 3/4	2-13 3/8 x 50 5/16	1-26 13/16 x 5 5/16 2-26 13/16 x 9 1/16
UT3D3090-18-24 B	2-13 15/16 x 54½	1-28 x 6½ 2-28 x 10¼	2-14 11/16 x 54½	1-29½ x 7 1-29½ x 10¼ 1-29½ x 10 3/4	2-13 3/8 x 53 5/16	1-26 13/16 x 5 5/16 2-26 13/16 x 9 1/16
UT3D3093-18-24 B	2-13 15/16 x 57½	1-28 x 6½ 2-28 x 10¼	2-14 11/16 x 57½	1-29½ x 7 1-29½ x 10¼ 1-29½ x 10 3/4	2-13 3/8 x 56 5/16	1-26 13/16 x 5 5/16 2-26 13/16 x 9 1/16
UT3D3096-18-24 B	2-13 15/16 x 60½	1-28 x 6½ 2-28 x 10¼	2-14 11/16 x 60½	1-29½ x 7 1-29½ x 10¼ 1-29½ x 10 3/4	2-13 3/8 x 59 5/16	1-26 13/16 x 5 5/16 2-26 13/16 x 9 1/16
UT4D1884-18-24 R-L	1-16 x 48½	3-16 x 6½ 1-16 x 7	1-17½ x 48½	1-17½ x 7 2-17½ x 6½ 1-17½ x 7½	1-14 13/16 x 47 5/16	3-14 13/16 x 5 5/16 1-14 13/16 x 5 13/16
UT4D1887-18-24 R-L	1-16 x 51½	3-16 x 6½ 1-16 x 7	1-17½ x 51½	1-17½ x 7 2-17½ x 6½ 1-17½ x 7½	1-14 13/16 x 50 5/16	3-14 13/16 x 5 5/16 1-14 13/16 x 5 13/16
UT4D1890-18-24 R-L	1-16 x 54½	3-16 x 6½ 1-16 x 7	1-17½ x 54½	1-17½ x 7 2-17½ x 6½ 1-17½ x 7½	1-14 13/16 x 53 5/16	3-14 13/16 x 5 5/16 1-14 13/16 x 5 13/16
UT4D1893-18-24 R-L	1-16 x 57½	3-16 x 6½ 1-16 x 7	1-17½ x 57½	1-17½ x 7 2-17½ x 6½ 1-17½ x 7½	1-14 13/16 x 56 5/16	3-14 13/16 x 5 5/16 1-14 13/16 x 5 13/16
UT4D1896-18-24 R-L	1-16 x 60½	3-16 x 6½ 1-16 x 7	1-17½ x 60½	1-17½ x 7 2-17½ x 6½ 1-17½ x 7½	1-14 13/16 x 59 5/16	3-14 13/16 x 5 5/16 1-14 13/16 x 5 13/16
UT4D2184-18-24 R-L	1-19 x 48½	3-19 x 6½ 1-19 x 7	1-20½ x 48½	1-20½ x 7 2-20½ x 6½ 1-20½ x 7½	1-17 13/16 x 47 5/16	3-17 13/16 x 5 5/16 1-17 13/16 x 5 13/16
UT4D2187-18-24 R-L	1-19 x 51½	3-19 x 6½ 1-19 x 7	1-20½ x 51½	1-20½ x 7 2-20½ x 6½ 1-20½ x 7½	1-17 13/16 x 50 5/16	3-17 13/16 x 5 5/16 1-17 13/16 x 5 13/16
UT4D2190-18-24 R-L	1-19 x 54½	3-19 x 6½ 1-19 x 7	1-20½ x 54½	1-20½ x 7 2-20½ x 6½ 1-20½ x 7½	1-17 13/16 x 53 5/16	3-17 13/16 x 5 5/16 1-17 13/16 x 5 13/16

Door & Drawer Front Sizes

PREFERRED
BY KARMAN

Cabinet	HALF OVERLAY		FULL OVERLAY		INSET	
	Door	Drawer Front	Door	Drawer Front	Door	Drawer Front
UT4D2193-18-24 R-L	1-19x57½	3-19x6½ 1-19x7	1-20½x57½	1-20½x7 2-20½x6½ 1-20½x7½	1-17 13/16x56 5/16	3-17 13/16x5 5/16 1-17 13/16x5 13/16
UT4D2196-18-24 R-L	1-19x60½	3-19x6½ 1-19x7	1-20½x60½	1-20½x7 2-20½x6½ 1-20½x7½	1-17 13/16x59 5/16	3-17 13/16x5 5/16 1-17 13/16x5 13/16
UT4D2484-18-24 R-L	1-22x48½	3-22x6½ 1-22x7	1-23½x48½	1-23½x7 2-23½x6½ 1-23½x7½	1-20 13/16x47 5/16	3-20 13/16x5 5/16 1-20 13/16x5 13/16
UT4D2487-18-24 R-L	1-22x51½	3-22x6½ 1-22x7	1-23½x51½	1-23½x7 2-23½x6½ 1-23½x7½	1-20 13/16x50 5/16	3-20 13/16x5 5/16 1-20 13/16x5 13/16
UT4D2490-18-24 R-L	1-22x54½	3-22x6½ 1-22x7	1-23½x54½	1-23½x7 2-23½x6½ 1-23½x7½	1-20 13/16x53 5/16	3-20 13/16x5 5/16 1-20 13/16x5 13/16
UT4D2493-18-24 R-L	1-22x57½	3-22x6½ 1-22x7	1-23½x57½	1-23½x7 2-23½x6½ 1-23½x7½	1-20 13/16x56 5/16	3-20 13/16x5 5/16 1-20 13/16x5 13/16
UT4D2496-18-24 R-L	1-22x60½	3-22x6½ 1-22x7	1-23½x60½	1-23½x7 2-23½x6½ 1-23½x7½	1-20 13/16x59 5/16	3-20 13/16x5 5/16 1-20 13/16x5 13/16
UT4D2484-18-24 B	2-10 15/16x48½	3-22x6½ 1-22x7	2-11 11/16x48½	1-23½x7 2-23½x6½ 1-23½x7½	2-10 3/8x47 5/16	3-20 13/16x5 5/16 1-20 13/16x5 13/16
UT4D2487-18-24 B	2-10 15/16x51½	3-22x6½ 1-22x7	2-11 11/16x51½	1-23½x7 2-23½x6½ 1-23½x7½	2-10 3/8x50 5/16	3-20 13/16x5 5/16 1-20 13/16x5 13/16
UT4D2490-18-24 B	2-10 15/16x54½	3-22x6½ 1-22x7	2-11 11/16x54½	1-23½x7 2-23½x6½ 1-23½x7½	2-10 3/8x53 5/16	3-20 13/16x5 5/16 1-20 13/16x5 13/16
UT4D2493-18-24 B	2-10 15/16x57½	3-22x6½ 1-22x7	2-11 11/16x57½	1-23½x7 2-23½x6½ 1-23½x7½	2-10 3/8x56 5/16	3-20 13/16x5 5/16 1-20 13/16x5 13/16
UT4D2496-18-24 B	2-10 15/16x60½	3-22x6½ 1-22x7	2-11 11/16x60½	1-23½x7 2-23½x6½ 1-23½x7½	2-10 3/8x59 5/16	3-20 13/16x5 5/16 1-20 13/16x5 13/16
UT4D2784-18-24 B	2-12 7/16x48½	3-25x6½ 1-25x7	2-13 3/16x48½	1-26½x7 2-26½x6½ 1-26½x7½	2-11 7/8x47 5/16	3-23 13/16x5 5/16 1-23 13/16x5 13/16
UT4D2787-18-24 B	2-12 7/16x51½	3-25x6½ 1-25x7	2-13 3/16x51½	1-26½x7 2-26½x6½ 1-26½x7½	2-11 7/8x50 5/16	3-23 13/16x5 5/16 1-23 13/16x5 13/16
UT4D2790-18-24 B	2-12 7/16x54½	3-25x6½ 1-25x7	2-13 3/16x54½	1-26½x7 2-26½x6½ 1-26½x7½	2-11 7/8x53 5/16	3-23 13/16x5 5/16 1-23 13/16x5 13/16

Door & Drawer Front Sizes

Cabinet	HALF OVERLAY		FULL OVERLAY		INSET	
	Door	Drawer Front	Door	Drawer Front	Door	Drawer Front
UT4D2793-18-24 B	2 - 12 7/16 x 57 1/2	3 - 25 x 6 1/2 1 - 25 x 7	2 - 13 3/16 x 57 1/2	1 - 26 1/2 x 7 2 - 26 1/2 x 6 1/2 1 - 26 1/2 x 7 1/2	2 - 11 7/8 x 56 5/16	3 - 23 13/16 x 5 5/16 1 - 23 13/16 x 5 13/16
UT4D2796-18-24 B	2 - 12 7/16 x 60 1/2	3 - 25 x 6 1/2 1 - 25 x 7	2 - 13 3/16 x 60 1/2	1 - 26 1/2 x 7 2 - 26 1/2 x 6 1/2 1 - 26 1/2 x 7 1/2	2 - 11 7/8 x 59 5/16	3 - 23 13/16 x 5 5/16 1 - 23 13/16 x 5 13/16
UT4D3084-18-24 B	2 - 13 15/16 x 48 1/2	3 - 28 x 6 1/2 1 - 28 x 7	2 - 14 11/16 x 48 1/2	1 - 29 1/2 x 7 2 - 29 1/2 x 6 1/2 1 - 29 1/2 x 7 1/2	2 - 13 3/8 x 47 5/16	3 - 26 13/16 x 5 5/16 1 - 26 13/16 x 5 13/16
UT4D3087-18-24 B	2 - 13 15/16 x 51 1/2	3 - 28 x 6 1/2 1 - 28 x 7	2 - 14 11/16 x 51 1/2	1 - 29 1/2 x 7 2 - 29 1/2 x 6 1/2 1 - 29 1/2 x 7 1/2	2 - 13 3/8 x 50 5/16	3 - 26 13/16 x 5 5/16 1 - 26 13/16 x 5 13/16
UT4D3090-18-24 B	2 - 13 15/16 x 54 1/2	3 - 28 x 6 1/2 1 - 28 x 7	2 - 14 11/16 x 54 1/2	1 - 29 1/2 x 7 2 - 29 1/2 x 6 1/2 1 - 29 1/2 x 7 1/2	2 - 13 3/8 x 53 5/16	3 - 26 13/16 x 5 5/16 1 - 26 13/16 x 5 13/16
UT4D3093-18-24 B	2 - 13 15/16 x 57 1/2	3 - 28 x 6 1/2 1 - 28 x 7	2 - 14 11/16 x 57 1/2	1 - 29 1/2 x 7 2 - 29 1/2 x 6 1/2 1 - 29 1/2 x 7 1/2	2 - 13 3/8 x 56 5/16	3 - 26 13/16 x 5 5/16 1 - 26 13/16 x 5 13/16
UT4D3096-18-24 B	2 - 13 15/16 x 60 1/2	3 - 28 x 6 1/2 1 - 28 x 7	2 - 14 11/16 x 60 1/2	1 - 29 1/2 x 7 2 - 29 1/2 x 6 1/2 1 - 29 1/2 x 7 1/2	2 - 13 3/8 x 59 5/16	3 - 26 13/16 x 5 5/16 1 - 26 13/16 x 5 13/16
UTP0984-24 R-L	1 - 7 x 28 1 - 7 x 48 1/2		1 - 8 1/2 x 28 1/2 1 - 8 1/2 x 49		1 - 5 13/16 x 26 13/16 1 - 5 13/16 x 47 5/16	
UTP0987-24 R-L	1 - 7 x 31 1 - 7 x 48 1/2		1 - 8 1/2 x 31 1/2 1 - 8 1/2 x 49		1 - 5 13/16 x 29 13/16 1 - 5 13/16 x 47 5/16	
UTP0990-24 R-L	1 - 7 x 34 1 - 7 x 48 1/2		1 - 8 1/2 x 34 1/2 1 - 8 1/2 x 49		1 - 5 13/16 x 32 13/16 1 - 5 13/16 x 47 5/16	
UTP0993-24 R-L	1 - 7 x 37 1 - 7 x 48 1/2		1 - 8 1/2 x 37 1/2 1 - 8 1/2 x 49		1 - 5 13/16 x 35 13/16 1 - 5 13/16 x 47 5/16	
UTP0996-24 R-L	1 - 7 x 40 1 - 7 x 48 1/2		1 - 8 1/2 x 40 1/2 1 - 8 1/2 x 49		1 - 5 13/16 x 38 13/16 1 - 5 13/16 x 47 5/16	
UTP1284-24 R-L	1 - 10 x 28 1 - 10 x 48 1/2		1 - 11 1/2 x 28 1/2 1 - 11 1/2 x 49		1 - 8 13/16 x 26 13/16 1 - 8 13/16 x 47 5/16	
UTP1287-24 R-L	1 - 10 x 31 1 - 10 x 48 1/2		1 - 11 1/2 x 31 1/2 1 - 11 1/2 x 49		1 - 8 13/16 x 29 13/16 1 - 8 13/16 x 47 5/16	
UTP1290-24 R-L	1 - 10 x 34 1 - 10 x 48 1/2		1 - 11 1/2 x 34 1/2 1 - 11 1/2 x 49		1 - 8 13/16 x 32 13/16 1 - 8 13/16 x 47 5/16	
UTP1293-24 R-L	1 - 10 x 37 1 - 10 x 48 1/2		1 - 11 1/2 x 37 1/2 1 - 11 1/2 x 49		1 - 8 13/16 x 35 13/16 1 - 8 13/16 x 47 5/16	
UTP1296-24 R-L	1 - 10 x 40 1 - 10 x 48 1/2		1 - 11 1/2 x 40 1/2 1 - 11 1/2 x 49		1 - 8 13/16 x 38 13/16 1 - 8 13/16 x 47 5/16	
UTP1584-24 R-L	1 - 13 x 28 1 - 13 x 48 1/2		1 - 14 1/2 x 28 1/2 1 - 14 1/2 x 49		1 - 11 13/16 x 26 13/16 1 - 11 13/16 x 47 5/16	
UTP1587-24 R-L	1 - 13 x 31 1 - 13 x 48 1/2		1 - 14 1/2 x 31 1/2 1 - 14 1/2 x 49		1 - 11 13/16 x 29 13/16 1 - 11 13/16 x 47 5/16	
UTP1590-24 R-L	1 - 13 x 34 1 - 13 x 48 1/2		1 - 14 1/2 x 34 1/2 1 - 14 1/2 x 49		1 - 11 13/16 x 32 13/16 1 - 11 13/16 x 47 5/16	

Door & Drawer Front Sizes

PREFERRED
BY KARMAN

Cabinet	HALF OVERLAY		FULL OVERLAY		INSET	
	Door	Drawer Front	Door	Drawer Front	Door	Drawer Front
UTP1593-24 R-L	1-13x37		1-14½x37½		1-11 13/16x35 13/16	
	1-13x48½		1-14½x49		1-11 13/16x47 5/16	
UTP1596-24 R-L	1-13x40		1-14½x40½		1-11 13/16x38 13/16	
	1-13x48½		1-14½x49		1-11 13/16x47 5/16	
UTP1884-24 R-L	1-16x28		1-17½x28½		1-14 13/16x26 13/16	
	1-16x48½		1-17½x49		1-14 13/16x47 5/16	
UTP1887-24 R-L	1-16x31		1-17½x31½		1-14 13/16x29 13/16	
	1-16x48½		1-17½x49		1-14 13/16x47 5/16	
UTP1890-24 R-L	1-16x34		1-17½x34½		1-14 13/16x32 13/16	
	1-16x48½		1-17½x49		1-14 13/16x47 5/16	
UTP1893-24 R-L	1-16x37		1-17½x37½		1-14 13/16x35 13/16	
	1-16x48½		1-17½x49		1-14 13/16x47 5/16	
UTP1896-24 R-L	1-16x40		1-17½x40½		1-14 13/16x38 13/16	
	1-16x48½		1-17½x49		1-14 13/16x47 5/16	
V2D15		2-13x11 3/4		2-14½x12¼		2-11 13/16x10 9/16
V2D18		2-16x11 3/4		2-17½x12¼		2-14 13/16x10 9/16
V2D21		2-19x11 3/4		2-20½x12¼		2-17 13/16x10 9/16
V2D24		2-22x11 3/4		2-23½x12¼		2-20 13/16x10 9/16
V2D27		2-25x11 3/4		2-26½x12¼		2-23 13/16x10 9/16
V2D30		2-28x11 3/4		2-29½x12¼		2-26 13/16x10 9/16
V2D33		2-31x11 3/4		2-32½x12¼		2-29 13/16x10 9/16
V2D36		2-34x11 3/4		2-35½x12¼		2-32 13/16x10 9/16
V2D2S24		2-10x6½		2-11½x7		2-8 13/16x5 5/16
		2-22x8¼		1-23½x8¼		2-20 13/16x7 1/16
				1-23½x8 3/4		
V2D2S27		2-11½x6½		2-13x7		2-10 5/16x5 5/16
		2-25x8¼		1-26½x8¼		2-23 13/16x7 1/16
				1-26½x8 3/4		
V2D2S30		2-13x6½		2-14½x7		2-11 13/16x5 5/16
		2-28x8¼		1-29½x8¼		2-26 13/16x7 1/16
				1-29½x8 3/4		
V2D2S33		2-14½x6½		2-16x7		2-13 5/16x5 5/16
		2-31x8¼		1-32½x8¼		2-29 13/16x7 1/16
				1-32½x8 3/4		
V2D2S36		2-16x6½		2-17½x7		2-14 13/16x5 5/16
		2-34x8¼		1-35½x8¼		2-32 13/16x7 1/16
				1-35½x8 3/4		
V3D12		1-10x6½		1-11½x7		1-8 13/16x5 5/16
		2-10x8¼		1-11½x8¼		2-8 13/16x7 1/16
				1-11½x8 3/4		
V3D15		1-13x6½		1-14½x7		1-11 13/16x5 5/16
		2-13x8¼		1-14½x8¼		2-11 13/16x7 1/16
				1-14½x8 3/4		
V3D18		1-16x6½		1-17½x7		1-14 13/16x5 5/16
		2-16x8¼		1-17½x8¼		2-14 13/16x7 1/16
				1-17½x8 3/4		

Door & Drawer Front Sizes

Cabinet	HALF OVERLAY		FULL OVERLAY		INSET	
	Door	Drawer Front	Door	Drawer Front	Door	Drawer Front
V3D21		1-19x6½ 2-19x8¼		1-20½x7 1-20½x8¼ 1-20½x8¾		1-17 13/16x5 5/16 2-17 13/16x7 1/16
V3D24		1-22x6½ 2-22x8¼		1-23½x7 1-23½x8¼ 1-23½x8¾		1-20 13/16x5 5/16 2-20 13/16x7 1/16
V3D27		1-25x6½ 2-25x8¼		1-26½x7 1-26½x8¼ 1-26½x8¾		1-23 13/16x5 5/16 2-23 13/16x7 1/16
V3D30		1-28x6½ 2-28x8¼		1-29½x7 1-29½x8¼ 1-29½x8¾		1-26 13/16x5 5/16 2-26 13/16x7 1/16
V3D33		1-31x6½ 2-31x8¼		1-32½x7 1-32½x8¼ 1-32½x8¾		1-29 13/16x5 5/16 2-29 13/16x7 1/16
V3D36		1-34x6½ 2-34x8¼		1-35½x7 1-35½x8¼ 1-35½x8¾		1-32 13/16x5 5/16 2-32 13/16x7 1/16
VAPCF0630		5-5 3/4x5 9/16		5-5 3/4x5 9/16		5-5 13/16x5
VAPCF0633		5-5 3/4x6 13/16		5-5 3/4x6 13/16		5-5 13/16x5 5/8
VAPCF0636		6-5 3/4x5 5/8		6-5 3/4x5 5/8		6-5 13/16x5
VAPCF0639		6-5 3/4x6 1/8		6-5 3/4x6 1/8		6-5 13/16x5½
VAPCF0642		6-5 3/4x6 5/8		6-5 3/4x6 5/8		6-5 13/16x6
VB09-R-L	1-7x17	1-7x6½	1-8½x17½	1-8½x7	1-5 13/16x15 13/16	1-5 13/16x5 5/16
VB12-R-L	1-10x17	1-10x6½	1-11½x17½	1-11½x7	1-8 13/16x15 13/16	1-8 13/16x5 5/16
VB15-R-L	1-13x17	1-13x6½	1-14½x17½	1-14½x7	1-11 13/16x15 13/16	1-11 13/16x5 5/16
VB18-R-L	1-16x17	1-16x6½	1-17½x17½	1-17½x7	1-14 13/16x15 13/16	1-14 13/16x5 5/16
VB21-R-L	1-19x17	1-19x6½	1-20½x17½	1-20½x7	1-17 13/16x15 13/16	1-17 13/16x5 5/16
VB24-R-L	1-22x17	1-22x6½	1-23½x17½	1-23½x7	1-20 13/16x15 13/16	1-20 13/16x5 5/16
VB24B	2-10 15/16x17	1-22x6½	2-11 11/16x17½	1-23½x7	2-10 3/8x15 13/16	1-20 13/16x5 5/16
VB27B	2-12 7/16x17	1-25x6½	2-13 3/16x17½	1-26½x7	2-11 7/8x15 13/16	1-23 13/16x5 5/16
VB30B	2-13 15/16x17	1-28x6½	2-14 11/16x17½	1-29½x7	2-13 3/8x15 13/16	1-26 13/16x5 5/16
VB33B	2-15 7/16x17	1-31x6½	2-16 3/16x17½	1-32½x7	2-14 7/8x15 13/16	1-29 13/16x5 5/16
VB36B	2-16 15/16x17	1-34x6½	2-17 11/16x17½	1-35½x7	2-16 3/8x15 13/16	1-32 13/16x5 5/16
VB39B	2-18 7/16x17	1-37x6½	2-19 3/16x17½	1-38½x7	2-17 7/8x15 13/16	1-35 13/16x5 5/16
VB42B	2-19 15/16x17	1-40x6½	2-20 11/16x17½	1-41½x7	2-19 3/8x15 13/16	1-38 13/16x5 5/16
VB45B	2-21 7/16x17	1-43x6½	2-22 3/16x17½	1-44½x7	2-20 7/8x15 13/16	1-41 13/16x5 5/16
VB48B	2-22 15/16x17	1-46x6½	2-23 11/16x17½	1-47½x7	2-22 3/8x15 13/16	1-44 13/16x5 5/16
VB09-R-L FHD	1-7x24		1-8½x25		1-5 13/16x22 13/16	
VB12-R-L FHD	1-10x24		1-11½x25		1-8 13/16x22 13/16	
VB15-R-L FHD	1-13x24		1-14½x25		1-11 13/16x22 13/16	
VB18-R-L FHD	1-16x24		1-17½x25		1-14 13/16x22 13/16	
VB21-R-L FHD	1-19x24		1-20½x25		1-17 13/16x22 13/16	
VB24-R-L FHD	1-22x24		1-23½x25		1-20 13/16x22 13/16	
VB24BFHD	2-10 15/16x24		2-11 11/16x25		2-10 3/8x22 13/16	
VB27BFHD	2-12 7/16x24		2-13 3/16x25		2-11 7/8x22 13/16	
VB30BFHD	2-13 15/16x24		2-14 11/16x25		2-13 3/8x22 13/16	

Door & Drawer Front Sizes

PREFERRED
BY KARMAN

Cabinet	HALF OVERLAY		FULL OVERLAY		INSET	
	Door	Drawer Front	Door	Drawer Front	Door	Drawer Front
VB33BFHD	2-15 7/16 x 24		2-16 3/16 x 25		2-14 7/8 x 22 13/16	
VB36BFHD	2-16 15/16 x 24		2-17 11/16 x 25		2-16 3/8 x 22 13/16	
VB39BFHD	2-18 7/16 x 24		2-19 3/16 x 25		2-17 7/8 x 22 13/16	
VB42BFHD	2-19 15/16 x 24		2-20 11/16 x 25		2-19 3/8 x 22 13/16	
VB45BFHD	2-21 7/16 x 24		2-20 11/16 x 25		2-20 7/8 x 22 13/16	
VB48BFHD	2-22 15/16 x 24		2-23 11/16 x 25		2-22 3/8 x 22 13/16	
VB24B-02	2-10 15/16 x 17	2-10 15/16 x 6 1/2	2-11 11/16 x 17 1/2	2-11 11/16 x 7	2-10 3/8 x 15 13/16	2-8 13/16 x 5 5/16
VB27B-02	2-12 7/16 x 17	2-12 7/16 x 6 1/2	2-13 3/16 x 17 1/2	2-13 3/16 x 7	2-11 7/8 x 15 13/16	2-10 5/16 x 5 5/16
VB30B-02	2-13 15/16 x 17	2-13 15/16 x 6 1/2	2-14 11/16 x 17 1/2	2-14 11/16 x 7	2-13 3/8 x 15 13/16	2-11 13/16 x 5 5/16
VB33B-02	2-15 7/16 x 17	2-15 7/16 x 6 1/2	2-16 3/16 x 17 1/2	2-16 3/16 x 7	2-14 7/8 x 15 13/16	2-13 5/16 x 5 5/16
VB36B-02	2-16 15/16 x 17	2-16 15/16 x 6 1/2	2-17 11/16 x 17 1/2	2-17 11/16 x 7	2-16 3/8 x 15 13/16	2-14 13/16 x 5 5/16
VB39B-02	2-18 7/16 x 17	2-18 7/16 x 6 1/2	2-19 3/16 x 17 1/2	2-19 3/16 x 7	2-17 7/8 x 15 13/16	2-16 5/16 x 5 5/16
VB42B-02	2-19 15/16 x 17	2-19 15/16 x 6 1/2	2-20 11/16 x 17 1/2	2-20 11/16 x 7	2-19 3/8 x 15 13/16	2-17 13/16 x 5 5/16
VB45B-02	2-21 7/16 x 17	2-21 7/16 x 6 1/2	2-22 3/16 x 17 1/2	2-22 3/16 x 7	2-20 7/8 x 15 13/16	2-19 5/16 x 5 5/16
VB48B-02	2-22 15/16 x 17	2-22 15/16 x 6 1/2	2-23 11/16 x 17 1/2	2-23 11/16 x 7	2-22 3/8 x 15 13/16	2-20 13/16 x 5 5/16
VDU24		1-22 x 4 1/2		1-23 1/2 x 5		1-20 13/16 x 3 7/8
VDU27		1-25 x 4 1/2		1-26 1/2 x 5		1-23 13/16 x 3 7/8
VDU30		1-28 x 4 1/2		1-29 1/2 x 5		1-26 13/16 x 3 7/8
VDU33		1-31 x 4 1/2		1-32 1/2 x 5		1-29 13/16 x 3 7/8
VDU36		1-34 x 4 1/2		1-35 1/2 x 5		1-32 13/16 x 3 7/8
VDU39		1-37 x 4 1/2		1-38 1/2 x 5		1-35 13/16 x 3 7/8
VDU42		1-40 x 4 1/2		1-41 1/2 x 5		1-38 13/16 x 3 7/8
VED18B	2-11 3/16 x 24		2-11 15/16 x 25		2-10 5/8 x 22 13/16	
VED21B	2-13 3/16 x 24		2-14 7/16 x 25		2-14 7/16 x 22 13/16	
VF24-R-L	1-22 x 17	1-22 x 6 1/2	1-23 1/2 x 17 1/2	1-23 1/2 x 7	1-20 13/16 x 15 13/16	1-20 13/16 x 5 5/16
VF24B	2-10 15/16 x 17	1-22 x 6 1/2	2-11 11/16 x 17 1/2	1-23 1/2 x 7	2-10 3/8 x 15 13/16	1-20 13/16 x 5 5/16
VF27B	2-12 7/16 x 17	1-25 x 6 1/2	2-13 3/16 x 17 1/2	1-26 1/2 x 7	2-11 7/8 x 15 13/16	1-23 13/16 x 5 5/16
VF30B	2-13 15/16 x 17	1-28 x 6 1/2	2-14 11/16 x 17 1/2	1-29 1/2 x 7	2-13 3/8 x 15 13/16	1-26 13/16 x 5 5/16
VF33B	2-15 7/16 x 17	1-31 x 6 1/2	2-16 3/16 x 17 1/2	1-32 1/2 x 7	2-14 7/8 x 15 13/16	1-29 13/16 x 5 5/16
VF36B	2-16 15/16 x 17	1-34 x 6 1/2	2-17 11/16 x 17 1/2	1-35 1/2 x 7	2-16 3/8 x 15 13/16	1-32 13/16 x 5 5/16
VF39B	2-18 7/16 x 17	1-37 x 6 1/2	2-19 3/16 x 17 1/2	1-38 1/2 x 7	2-17 7/8 x 15 13/16	1-35 13/16 x 5 5/16
VF42B	2-19 15/16 x 17	1-40 x 6 1/2	2-20 11/16 x 17 1/2	1-41 1/2 x 7	2-19 3/8 x 15 13/16	1-38 13/16 x 5 5/16
VF45B	2-21 7/16 x 17	1-43 x 6 1/2	2-22 3/16 x 17 1/2	1-44 1/2 x 7	2-20 7/8 x 15 13/16	1-41 13/16 x 5 5/16
VF48B	2-22 15/16 x 17	1-46 x 6 1/2	2-23 11/16 x 17 1/2	1-47 1/2 x 7	2-22 3/8 x 15 13/16	1-44 13/16 x 5 5/16
VS18-R-L	1-16 x 17	1-16 x 6 1/2	1-17 1/2 x 17 1/2	1-17 1/2 x 7	1-14 13/16 x 15 13/16	1-14 13/16 x 5 5/16
VS21-R-L	1-19 x 17	1-19 x 6 1/2	1-20 1/2 x 17 1/2	1-20 1/2 x 7	1-17 13/16 x 15 13/16	1-17 13/16 x 5 5/16
VS24-R-L	1-22 x 17	1-22 x 6 1/2	1-23 1/2 x 17 1/2	1-23 1/2 x 7	1-20 13/16 x 15 13/16	1-20 13/16 x 5 5/16
VS24B	2-10 15/16 x 17	1-22 x 6 1/2	2-11 11/16 x 17 1/2	1-23 1/2 x 7	2-10 3/8 x 15 13/16	1-20 13/16 x 5 5/16
VS27B	2-12 7/16 x 17	1-25 x 6 1/2	2-13 3/16 x 17 1/2	1-26 1/2 x 7	2-11 7/8 x 15 13/16	1-23 13/16 x 5 5/16
VS30B	2-13 15/16 x 17	1-28 x 6 1/2	2-14 11/16 x 17 1/2	1-29 1/2 x 7	2-13 3/8 x 15 13/16	1-26 13/16 x 5 5/16
VS33B	2-15 7/16 x 17	1-31 x 6 1/2	2-16 3/16 x 17 1/2	1-32 1/2 x 7	2-14 7/8 x 15 13/16	1-29 13/16 x 5 5/16
VS36B	2-16 15/16 x 17	1-34 x 6 1/2	2-17 11/16 x 17 1/2	1-35 1/2 x 7	2-16 3/8 x 15 13/16	1-32 13/16 x 5 5/16
VS39B	2-18 7/16 x 17	1-37 x 6 1/2	2-19 3/16 x 17 1/2	1-38 1/2 x 7	2-17 7/8 x 15 13/16	1-35 13/16 x 5 5/16
VS42B	2-19 15/16 x 17	1-40 x 6 1/2	2-20 11/16 x 17 1/2	1-41 1/2 x 7	2-19 3/8 x 15 13/16	1-38 13/16 x 5 5/16
VS45B	2-21 7/16 x 17	1-43 x 6 1/2	2-22 3/16 x 17 1/2	1-44 1/2 x 7	2-20 7/8 x 15 13/16	1-41 13/16 x 5 5/16
VS48B	2-22 15/16 x 17	1-46 x 6 1/2	2-23 11/16 x 17 1/2	1-47 1/2 x 7	2-22 3/8 x 15 13/16	1-44 13/16 x 5 5/16

Door & Drawer Front Sizes

Cabinet	HALF OVERLAY		FULL OVERLAY		INSET	
	Door	Drawer Front	Door	Drawer Front	Door	Drawer Front
VS3D51	2 - 17½ x 17	1 - 10 x 6½ 2 - 17½ x 6½ 2 - 10 x 8¼	2 - 17½ x 17½	1 - 11½ x 7 2 - 19 x 7 1 - 11½ x 8¼ 1 - 11½ x 8¾	2 - 16 5/16 x 15 13/16	1 - 8 13/16 x 5 5/16 2 - 8 13/16 x 7 1/16 2 - 16 5/16 x 5 5/16
VS3D54	2 - 17½ x 17	1 - 13 x 6½ 2 - 17½ x 6½ 2 - 13 x 8¼	2 - 19 x 17½	1 - 14½ x 7 2 - 19 x 7 1 - 14½ x 8¼ 1 - 14½ x 8¾	2 - 16 5/16 x 15 13/16	1 - 11 13/16 x 5 5/16 2 - 11 13/16 x 7 1/16 2 - 16 5/16 x 5 5/16
VS3D57	2 - 19 x 17	1 - 13 x 6½ 2 - 19 x 6½ 2 - 13 x 8¼	2 - 20½ x 17½	1 - 14½ x 7 2 - 20½ x 7 1 - 14½ x 8¼ 1 - 14½ x 8¾	2 - 17 13/16 x 15 13/16	1 - 11 13/16 x 5 5/16 2 - 11 13/16 x 7 1/16 2 - 17 13/16 x 5 5/16
VS3D60	2 - 20½ x 17	1 - 13 x 6½ 2 - 20½ x 6½ 2 - 13 x 8¼	2 - 22 x 17½	1 - 14½ x 7 2 - 22 x 7 1 - 14½ x 8¼ 1 - 14½ x 8¾	2 - 19 5/16 x 15 13/16	1 - 11 13/16 x 5 5/16 2 - 11 13/16 x 7 1/16 2 - 19 5/16 x 5 5/16
VS6D48B	2 - 10 15/16 x 17	2 - 10 x 6½ 4 - 10 x 8¼ 1 - 22 x 6½	2 - 11 11/16 x 17½	2 - 11½ x 7 2 - 11½ x 8¼ 2 - 11½ x 8¾ 1 - 23½ x 7	2 - 10 3/8 x 15 13/16	2 - 8 13/16 x 5 5/16 4 - 8 13/16 x 7 1/16 1 - 20 13/16 x 5 5/16
VS6D51B	2 - 10 15/16 x 17	2 - 11½ x 6½ 4 - 11½ x 8¼ 1 - 22 x 6½	2 - 11 11/16 x 17½	2 - 13 x 7 2 - 13 x 8¼ 2 - 13 x 8¾ 1 - 23½ x 7	2 - 10 3/8 x 15 13/16	2 - 10 5/16 x 5 5/16 4 - 10 5/16 x 7 1/16 1 - 20 13/16 x 5 5/16
VS6D54B	2 - 12 7/16 x 17	2 - 11½ x 6½ 4 - 11½ x 8¼ 1 - 25 x 6½	2 - 13 3/16 x 17½	2 - 13 x 7 2 - 13 x 8¼ 2 - 13 x 8¾ 1 - 26½ x 7	2 - 11 7/8 x 15 13/16	2 - 10 5/16 x 5 5/16 4 - 10 5/16 x 7 1/16 1 - 23 13/16 x 5 5/16
VS6D57B	2 - 12 7/16 x 17	2 - 13 x 6½ 4 - 13 x 8¼ 1 - 25 x 6½	2 - 13 3/16 x 17½	2 - 14½ x 7 2 - 14½ x 8¼ 2 - 14½ x 8¾ 1 - 26½ x 7	2 - 11 7/8 x 15 13/16	2 - 11 13/16 x 5 5/16 4 - 11 13/16 x 7 1/16 1 - 23 13/16 x 5 5/16
VS6D60B	2 - 12 7/16 x 17	2 - 14½ x 6½ 4 - 14½ x 8¼ 1 - 25 x 6½	2 - 13 3/16 x 17½	2 - 16 x 7 2 - 16 x 8¼ 2 - 16 x 8¾ 1 - 26½ x 7	2 - 11 7/8 x 15 13/16	2 - 13 5/16 x 5 5/16 4 - 13 5/16 x 7 1/16 1 - 23 13/16 x 5 5/16
VSC36B	2 - 16 15/16 x 17	2 - 7 x 6½ 1 - 16 x 6½	2 - 17 11/16 x 17½	2 - 8½ x 7 1 - 17½ x 7	2 - 16 3/8 x 15 13/16	2 - 5 13/16 x 5 5/16 1 - 14 13/16 x 5 5/16
VSC39B	2 - 18 7/16 x 17	2 - 8½ x 6½ 1 - 16 x 6½	2 - 19 3/16 x 17½	2 - 10 x 7 1 - 17½ x 7	2 - 17 7/8 x 15 13/16	2 - 7 5/16 x 5 5/16 1 - 14 13/16 x 5 5/16
VSC42B	2 - 19 15/16 x 17	2 - 10 x 6½ 1 - 16 x 6½	2 - 20 11/16 x 17½	2 - 11½ x 7 1 - 17½ x 7	2 - 19 3/8 x 15 13/16	2 - 8 13/16 x 5 5/16 1 - 14 13/16 x 5 5/16
VSC45B	2 - 21 7/16 x 17	2 - 11½ x 6½ 1 - 16 x 6½	2 - 22 3/16 x 17½	2 - 13 x 7 1 - 17½ x 7	2 - 20 7/8 x 15 13/16	2 - 10 5/16 x 5 5/16 1 - 14 13/16 x 5 5/16
VSC48B	2 - 22 15/16 x 17	2 - 13 x 6½ 1 - 16 x 6½	2 - 23 11/16 x 17½	2 - 14½ x 7 1 - 17½ x 7	2 - 22 3/8 x 15 13/16	2 - 11 13/16 x 5 5/16 1 - 14 13/16 x 5 5/16

Door & Drawer Front Sizes

PREFERRED
BY KARMAN

Cabinet	HALF OVERLAY		FULL OVERLAY		INSET	
	Door	Drawer Front	Door	Drawer Front	Door	Drawer Front
VSC51B	2-13 15/16 x 17	1-28 x 6½	2-14 11/16 x 17½	1-29½ x 7	2-7 5/16 x 15 13/16	1-26 13/16 x 5 5/16
	2-8½ x 17	2-8½ x 6½	2-10 x 17½	2-10 x 7	2-13 3/8 x 15 13/16	2-7 5/16 x 5 5/16
VSC54B	2-13 15/16 x 17	1-28 x 6½	2-14 11/16 x 17½	1-29½ x 7	2-8 13/16 x 15 13/16	1-26 13/16 x 5 5/16
	2-10 x 17	2-10 x 6½	2-11½ x 17½	2-11½ x 7	2-13 3/8 x 15 13/16	2-8 13/16 x 5 5/16
VSC57B	2-13 15/16 x 17	1-28 x 6½	2-14 11/16 x 17½	1-29½ x 7	2-11 7/8 x 15 13/16	2-10 5/16 x 5 5/16
	2-11½ x 17	2-11½ x 6½	2-13 x 17½	2-13 x 7	2-10 5/16 x 15 13/16	1-26 13/16 x 5 5/16
VSC60B	2-13 15/16 x 17	1-28 x 6½	2-14 11/16 x 17½	1-29½ x 7	2-11 7/8 x 15 13/16	2-11 13/16 x 5 5/16
	2-13 x 17	2-13 x 6½	2-14½ x 17½	2-14½ x 7	2-11 13/16 x 15 13/16	1-26 13/16 x 5 5/16
VSD24 R-L	1-10 x 17	1-10 x 8¼	1-11½ x 17½	1-11½ x 8¼	1-8 13/16 x 15 13/16	1-20 13/16 x 5 5/16
		1-10 x 8¼		1-11½ x 8 3/4		2-8 13/16 x 7 1/16
		1-22 x 6½		1-23½ x 7		
VSD27 R-L	1-11½ x 17	1-11½ x 8¼	1-13 x 17½	1-13 x 8¼	1-10 5/16 x 15 13/16	1-23 13/16 x 5 5/16
		1-11½ x 8¼		1-13 x 8 3/4		2-10 5/16 x 7 1/16
		1-25 x 6½		1-26½ x 7		
VSD30 R-L	1-13 x 17	1-13 x 8¼	1-14½ x 17½	1-14½ x 8¼	1-11 13/16 x 15 13/16	1-26 13/16 x 5 5/16
		1-13 x 8¼		1-14½ x 8 3/4		2-11 13/16 x 7 1/16
		1-28 x 6½		1-29½ x 7		
VSD33 R-L	1-14½ x 17	1-14½ x 8¼	1-16 x 17½	1-16 x 8¼	1-13 5/16 x 15 13/16	1-29 13/16 x 5 5/16
		1-14½ x 8¼		1-16 x 8 3/4		2-13 5/16 x 7 1/16
		1-31 x 6½		1-32½ x 7		
VSD36 R-L	1-16 x 17	1-16 x 8¼	1-17½ x 17½	1-17½ x 8¼	1-14 13/16 x 15 13/16	1-32 13/16 x 5 5/16
		1-16 x 8¼		1-17½ x 8 3/4		2-14 13/16 x 7 1/16
		1-34 x 6½		1-35½ x 7		
VSD39 R-L	1-17½ x 17	1-17½ x 8¼	1-19 x 17½	1-19 x 8¼	1-16 5/16 x 15 13/16	1-35 13/16 x 5 5/16
		1-17½ x 8¼		1-19 x 8 3/4		2-16 5/16 x 7 1/16
		1-37 x 6½		1-38½ x 7		
VSD42 R-L	1-19 x 17	1-19 x 8¼	1-20½ x 17½	1-20½ x 8¼	1-17 13/16 x 15 13/16	1-38 13/16 x 5 5/16
		1-19 x 8¼		1-20½ x 8 3/4		2-17 13/16 x 7 1/16
		1-40 x 6½		1-41½ x 7		
VSD45 R-L	1-20½ x 17	1-20½ x 8¼	1-22 x 17½	1-22 x 8¼	1-19 5/16 x 15 13/16	1-41 13/16 x 5 5/16
		1-20½ x 8¼		1-22 x 8 3/4		2-19 5/16 x 7 1/16
		1-43 x 6½		1-44½ x 7		
VSD48 R-L	1-22 x 17	1-22 x 8¼	1-23½ x 17½	1-23½ x 8¼	1-20 13/16 x 15 13/16	1-44 13/16 x 5 5/16
		1-22 x 8¼		1-23½ x 8 3/4		2-20 13/16 x 7 1/16
		1-46 x 6½		1-47½ x 7		
VU3D1584-R-L	1-13 x 52½	1-13 x 6½	1-14½ x 52½	1-14½ x 7	1-11 13/16 x 5 5/16	1-11 13/16 x 5 5/16
		2-13 x 8¼		1-14½ x 8¼		2-11 13/16 x 7 1/16
				1-14½ x 8 3/4		
VU3D1587-R-L	1-13 x 55½	1-13 x 6½	1-14½ x 55½	1-14½ x 7	1-11 13/16 x 5 5/16	1-11 13/16 x 5 5/16
		2-13 x 8¼		1-14½ x 8¼		2-11 13/16 x 7 1/16
				1-14½ x 8 3/4		
VU3D1590-R-L	1-13 x 58½	1-13 x 6½	1-14½ x 58½	1-14½ x 7	1-11 13/16 x 5 5/16	1-11 13/16 x 5 5/16
		2-13 x 8¼		1-14½ x 8¼		2-11 13/16 x 7 1/16
				1-14½ x 8 3/4		
VU3D1593-R-L	1-13 x 61½	1-13 x 6½	1-14½ x 61½	1-14½ x 7	1-11 13/16 x 6 0/16	1-11 13/16 x 5 5/16
		2-13 x 8¼		1-14½ x 8¼		2-11 13/16 x 7 1/16
				1-14½ x 8 3/4		

Door & Drawer Front Sizes

Cabinet	HALF OVERLAY		FULL OVERLAY		INSET	
	Door	Drawer Front	Door	Drawer Front	Door	Drawer Front
VU3D1596-R-L	1-13 x 64½	1-13 x 6½ 2-13 x 8¼	1-14½ x 64½	1-14½ x 7 1-14½ x 8¼ 1-14½ x 8¾	1-11 13/16 x 63 5/16	1-11 13/16 x 55/16 2-11 13/16 x 7 1/16
VU3D1884-R-L	1-16 x 52½	1-16 x 6½ 2-16 x 8¼	1-17½ x 52½	1-17½ x 7 1-17½ x 8¼ 1-17½ x 8¾	1-14 13/16 x 51 5/16	1-14 13/16 x 55/16 2-14 13/16 x 7 1/16
VU3D1887-R-L	1-16 x 55½	1-16 x 6½ 2-16 x 8¼	1-17½ x 55½	1-17½ x 7 1-17½ x 8¼ 1-17½ x 8¾	1-14 13/16 x 54 5/16	1-14 13/16 x 55/16 2-14 13/16 x 7 1/16
VU3D1890-R-L	1-16 x 58½	1-16 x 6½ 2-16 x 8¼	1-17½ x 58½	1-17½ x 7 1-17½ x 8¼ 1-17½ x 8¾	1-14 13/16 x 57 5/16	1-14 13/16 x 55/16 2-14 13/16 x 7 1/16
VU3D1893-R-L	1-16 x 61½	1-16 x 6½ 2-16 x 8¼	1-17½ x 61½	1-17½ x 7 1-17½ x 8¼ 1-17½ x 8¾	1-14 13/16 x 60 5/16	1-14 13/16 x 55/16 2-14 13/16 x 7 1/16
VU3D1896-R-L	1-16 x 64½	1-16 x 6½ 2-16 x 8¼	1-17½ x 64½	1-17½ x 7 1-17½ x 8¼ 1-17½ x 8¾	1-14 13/16 x 63 5/16	1-14 13/16 x 55/16 2-14 13/16 x 7 1/16
VU3D2184-R-L	1-19 x 52½	1-19 x 6½ 2-19 x 8¼	1-20½ x 52½	1-20½ x 7 1-20½ x 8¼ 1-20½ x 8¾	1-17 13/16 x 51 5/16	1-17 13/16 x 55/16 2-17 13/16 x 7 1/16
VU3D2187-R-L	1-19 x 55½	1-19 x 6½ 2-19 x 8¼	1-20½ x 55½	1-20½ x 7 1-20½ x 8¼ 1-20½ x 8¾	1-17 13/16 x 54 5/16	1-17 13/16 x 55/16 2-17 13/16 x 7 1/16
VU3D2190-R-L	1-19 x 58½	1-19 x 6½ 2-19 x 8¼	1-20½ x 58½	1-20½ x 7 1-20½ x 8¼ 1-20½ x 8¾	1-17 13/16 x 57 5/16	1-17 13/16 x 55/16 2-17 13/16 x 7 1/16
VU3D2193-R-L	1-19 x 61½	1-19 x 6½ 2-19 x 8¼	1-20½ x 61½	1-20½ x 7 1-20½ x 8¼ 1-20½ x 8¾	1-17 13/16 x 60 5/16	1-17 13/16 x 55/16 2-17 13/16 x 7 1/16
VU3D2196-R-L	1-19 x 64½	1-19 x 6½ 2-19 x 8¼	1-20½ x 64½	1-20½ x 7 1-20½ x 8¼ 1-20½ x 8¾	1-17 13/16 x 63 5/16	1-17 13/16 x 55/16 2-17 13/16 x 7 1/16
VUB1584-R-L	1-13 x 52½ 1-13 x 17	1-13 x 6½	1-14½ x 52½ 1-14½ x 17½	1-14½ x 7	1-11 13/16 x 51 5/16 1-11 13/16 x 15 13/16	1-11 13/16 x 55/16
VUB1587-R-L	1-13 x 55½ 1-13 x 17	1-13 x 6½	1-14½ x 55½ 1-14½ x 17½	1-14½ x 7	1-11 13/16 x 54 5/16 1-11 13/16 x 15 13/16	1-11 13/16 x 55/16
VUB1590-R-L	1-13 x 58½ 1-13 x 17	1-13 x 6½	1-14½ x 58½ 1-14½ x 17½	1-14½ x 7	1-11 13/16 x 57 5/16 1-11 13/16 x 15 13/16	1-11 13/16 x 55/16
VUB1593-R-L	1-13 x 61½ 1-13 x 17	1-13 x 6½	1-14½ x 61½ 1-14½ x 17½	1-14½ x 7	1-11 13/16 x 60 5/16 1-11 13/16 x 15 13/16	1-11 13/16 x 55/16
VUB1596-R-L	1-13 x 64½ 1-13 x 17	1-13 x 6½	1-14½ x 64½ 1-14½ x 17½	1-14½ x 7	1-11 13/16 x 63 5/16 1-11 13/16 x 15 13/16	1-11 13/16 x 55/16
VUB1884-R-L	1-16 x 52½ 1-16 x 17	1-16 x 6½	1-17½ x 52½ 1-17½ x 17½	1-17½ x 7	1-14 13/16 x 51 5/16 1-14 13/16 x 15 13/16	1-14 13/16 x 55/16
VUB1887-R-L	1-16 x 55½ 1-16 x 17	1-16 x 6½	1-17½ x 55½ 1-17½ x 17½	1-17½ x 7	1-14 13/16 x 54 5/16 1-14 13/16 x 15 13/16	1-14 13/16 x 55/16

Door & Drawer Front Sizes

PREFERRED
BY KARMAN

Cabinet	HALF OVERLAY		FULL OVERLAY		INSET	
	Door	Drawer Front	Door	Drawer Front	Door	Drawer Front
VUB1890-R-L	1-16 x 58½ 1-16 x 17	1-16 x 6½	1-17½ x 58½ 1-17½ x 17½	1-17½ x 7	1-14 13/16 x 57 5/16 1-14 13/16 x 15 13/16	1-14 13/16 x 5 5/16
VUB1893-R-L	1-16 x 61½ 1-16 x 17	1-16 x 6½	1-17½ x 61½ 1-17½ x 17½	1-17½ x 7	1-14 13/16 x 60 5/16 1-14 13/16 x 15 13/16	1-14 13/16 x 5 5/16
VUB1896-R-L	1-16 x 64½ 1-16 x 17	1-16 x 6½	1-17½ x 64½ 1-17½ x 17½	1-17½ x 7	1-14 13/16 x 63 5/16 1-14 13/16 x 15 13/16	1-14 13/16 x 5 5/16
VUB2184-R-L	1-19 x 52½ 1-19 x 17	1-19 x 6½	1-20½ x 52½ 1-20½ x 17½	1-20½ x 7	1-17 13/16 x 51 5/16 1-17 13/16 x 15 13/16	1-17 13/16 x 5 5/16
VUB2187-R-L	1-19 x 55½ 1-19 x 17	1-19 x 6½	1-20½ x 55½ 1-20½ x 17½	1-20½ x 7	1-17 13/16 x 54 5/16 1-17 13/16 x 15 13/16	1-17 13/16 x 5 5/16
VUB2190-R-L	1-19 x 58½ 1-19 x 17	1-19 x 6½	1-20½ x 58½ 1-20½ x 17½	1-20½ x 7	1-17 13/16 x 57 5/16 1-17 13/16 x 15 13/16	1-17 13/16 x 5 5/16
VUB2193-R-L	1-19 x 61½ 1-19 x 17	1-19 x 6½	1-20½ x 61½ 1-20½ x 17½	1-20½ x 7	1-17 13/16 x 60 5/16 1-17 13/16 x 15 13/16	1-17 13/16 x 5 5/16
VUB2196-R-L	1-19 x 64½ 1-19 x 17	1-19 x 6½	1-20½ x 64½ 1-20½ x 17½	1-20½ x 7	1-17 13/16 x 63 5/16 1-17 13/16 x 15 13/16	1-17 13/16 x 5 5/16
VUF1584-R-L	1-13 x 52½ 1-13 x 24		1-14½ x 52½ 1-14½ x 25		1-11 13/16 x 51 5/16 1-11 13/16 x 22 13/16	
VUF1587-R-L	1-13 x 55½ 1-13 x 24		1-14½ x 55½ 1-14½ x 25		1-11 13/16 x 54 5/16 1-11 13/16 x 22 13/16	
VUF1590-R-L	1-13 x 58½ 1-13 x 24		1-14½ x 58½ 1-14½ x 25		1-11 13/16 x 57 5/16 1-11 13/16 x 22 13/16	
VUF1593-R-L	1-13 x 61½ 1-13 x 24		1-14½ x 61½ 1-14½ x 25		1-11 13/16 x 60 5/16 1-11 13/16 x 22 13/16	
VUF1596-R-L	1-13 x 64½ 1-13 x 24		1-14½ x 64½ 1-14½ x 25		1-11 13/16 x 63 5/16 1-11 13/16 x 22 13/16	
VUF1884-R-L	1-16 x 52½ 1-16 x 24		1-17½ x 52½ 1-17½ x 25		1-14 13/16 x 51 5/16 1-14 13/16 x 22 13/16	
VUF1887-R-L	1-16 x 55½ 1-16 x 24		1-17½ x 55½ 1-17½ x 25		1-14 13/16 x 54 5/16 1-14 13/16 x 22 13/16	
VUF1890-R-L	1-16 x 58½ 1-16 x 24		1-17½ x 58½ 1-17½ x 25		1-14 13/16 x 57 5/16 1-14 13/16 x 22 13/16	
VUF1893-R-L	1-16 x 61½ 1-16 x 24		1-17½ x 61½ 1-17½ x 25		1-14 13/16 x 60 5/16 1-14 13/16 x 22 13/16	
VUF1896-R-L	1-16 x 64½ 1-16 x 24		1-17½ x 64½ 1-17½ x 25		1-14 13/16 x 63 5/16 1-14 13/16 x 22 13/16	
VUF2184-R-L	1-19 x 52½ 1-19 x 24		1-20½ x 52½ 1-20½ x 25		1-17 13/16 x 51 5/16 1-17 13/16 x 22 13/16	
VUF2187-R-L	1-19 x 55½ 1-19 x 24		1-20½ x 55½ 1-20½ x 25		1-17 13/16 x 54 5/16 1-17 13/16 x 22 13/16	
VUF2190-R-L	1-19 x 58½ 1-19 x 24		1-20½ x 58½ 1-20½ x 25		1-17 13/16 x 57 5/16 1-17 13/16 x 22 13/16	
VUF2193-R-L	1-19 x 61½ 1-19 x 24		1-20½ x 61½ 1-20½ x 25		1-17 13/16 x 60 5/16 1-17 13/16 x 22 13/16	
VUF2196-R-L	1-19 x 64½ 1-19 x 24		1-20½ x 64½ 1-20½ x 25		1-17 13/16 x 63 5/16 1-17 13/16 x 22 13/16	

Door & Drawer Front Sizes

Cabinet	HALF OVERLAY		FULL OVERLAY		INSET	
	Door	Drawer Front	Door	Drawer Front	Door	Drawer Front
VW2424-9B	2 - 10 15/16 x 12 1/2		2 - 11 11/16 x 13		2 - 10 3/8 x 11 5/16	
VW2430-9B	2 - 10 15/16 x 17		2 - 11 11/16 x 17 1/2		2 - 10 3/8 x 15 13/16	
VWTB2127-9 R-L	1 - 19 x 19		1 - 20 1/2 x 19 1/2		1 - 17 13/16 x 17 13/16	
VWTB2427-9B	2 - 10 15/16 x 19		2 - 11 11/16 x 19 1/2		2 - 10 3/8 x 17 13/16	
VWWS2127-9B	2 - 9 7/16 x 19		2 - 10 11/16 x 19 1/2		2 - 8 13/16 x 17 13/16	
VWWS2427-9B	2 - 10 15/16 x 19		2 - 11 11/16 x 19 1/2		2 - 10 3/8 x 17 13/16	
W0930 R-L	1 - 7 x 28		1 - 8 1/2 x 28 1/2		1 - 5 13/16 x 26 13/16	
W0933 R-L	1 - 7 x 31		1 - 8 1/2 x 31 1/2		1 - 5 13/16 x 29 13/16	
W0936 R-L	1 - 7 x 34		1 - 8 1/2 x 34 1/2		1 - 5 13/16 x 32 13/16	
W0939 R-L	1 - 7 x 37		1 - 8 1/2 x 37 1/2		1 - 5 13/16 x 35 13/16	
W0942 R-L	1 - 7 x 40		1 - 8 1/2 x 40 1/2		1 - 5 13/16 x 38 13/16	
W1221 R-L	1 - 10 x 19		1 - 11 1/2 x 19 1/2		1 - 8 13/16 x 17 13/16	
W1224 R-L	1 - 10 x 22		1 - 11 1/2 x 22 1/2		1 - 8 13/16 x 20 13/16	
W1227 R-L	1 - 10 x 25		1 - 11 1/2 x 25 1/2		1 - 8 13/16 x 23 13/16	
W1230 R-L	1 - 10 x 28		1 - 11 1/2 x 28 1/2		1 - 8 13/16 x 26 13/16	
W1233 R-L	1 - 10 x 31		1 - 11 1/2 x 31 1/2		1 - 8 13/16 x 29 13/16	
W1236 R-L	1 - 10 x 34		1 - 11 1/2 x 34 1/2		1 - 8 13/16 x 32 13/16	
W1239 R-L	1 - 10 x 37		1 - 11 1/2 x 37 1/2		1 - 8 13/16 x 35 13/16	
W1242 R-L	1 - 10 x 40		1 - 11 1/2 x 40 1/2		1 - 8 13/16 x 38 13/16	
W1521 R-L	1 - 13 x 19		1 - 14 1/2 x 19 1/2		1 - 11 13/16 x 17 13/16	
W1524 R-L	1 - 13 x 22		1 - 14 1/2 x 22 1/2		1 - 11 13/16 x 20 13/16	
W1527 R-L	1 - 13 x 25		1 - 14 1/2 x 25 1/2		1 - 11 13/16 x 23 13/16	
W1530 R-L	1 - 13 x 28		1 - 14 1/2 x 28 1/2		1 - 11 13/16 x 26 13/16	
W1533 R-L	1 - 13 x 31		1 - 14 1/2 x 31 1/2		1 - 11 13/16 x 29 13/16	
W1536 R-L	1 - 13 x 34		1 - 14 1/2 x 34 1/2		1 - 11 13/16 x 32 13/16	
W1539 R-L	1 - 13 x 37		1 - 14 1/2 x 37 1/2		1 - 11 13/16 x 35 13/16	
W1542 R-L	1 - 13 x 40		1 - 14 1/2 x 40 1/2		1 - 11 13/16 x 38 13/16	
W1815 R-L	1 - 16 x 13		1 - 17 1/2 x 13 1/2		1 - 14 13/16 x 11 13/16	
W1818 R-L	1 - 16 x 16		1 - 17 1/2 x 16 1/2		1 - 14 13/16 x 14 13/16	
W1821 R-L	1 - 16 x 19		1 - 17 1/2 x 19 1/2		1 - 14 13/16 x 17 13/16	
W1824 R-L	1 - 16 x 22		1 - 17 1/2 x 22 1/2		1 - 14 13/16 x 20 13/16	
W1827 R-L	1 - 16 x 25		1 - 17 1/2 x 25 1/2		1 - 14 13/16 x 23 13/16	
W1830 R-L	1 - 16 x 28		1 - 17 1/2 x 28 1/2		1 - 14 13/16 x 26 13/16	
W1833 R-L	1 - 16 x 31		1 - 17 1/2 x 31 1/2		1 - 14 13/16 x 29 13/16	
W1836 R-L	1 - 16 x 34		1 - 17 1/2 x 34 1/2		1 - 14 13/16 x 32 13/16	
W1839 R-L	1 - 16 x 37		1 - 17 1/2 x 37 1/2		1 - 14 13/16 x 35 13/16	
W1842 R-L	1 - 16 x 40		1 - 17 1/2 x 40 1/2		1 - 14 13/16 x 38 13/16	
W1D1548 R-L	1 - 13 x 38 1/2	1 - 13 x 6 1/2	1 - 14 1/2 x 39	1 - 14 1/2 x 7	1 - 11 13/16 x 37 5/16	1 - 11 13/16 x 5 5/16
W1D1551 R-L	1 - 13 x 41 1/2	1 - 13 x 6 1/2	1 - 14 1/2 x 42	1 - 14 1/2 x 7	1 - 11 13/16 x 40 5/16	1 - 11 13/16 x 5 5/16
W1D1554 R-L	1 - 13 x 44 1/2	1 - 13 x 6 1/2	1 - 14 1/2 x 45	1 - 14 1/2 x 7	1 - 11 13/16 x 43 5/16	1 - 11 13/16 x 5 5/16
W1D1557 R-L	1 - 13 x 47 1/2	1 - 13 x 6 1/2	1 - 14 1/2 x 48	1 - 14 1/2 x 7	1 - 11 13/16 x 46 5/16	1 - 11 13/16 x 5 5/16
W1D1560 R-L	1 - 13 x 50 1/2	1 - 13 x 6 1/2	1 - 14 1/2 x 51	1 - 14 1/2 x 7	1 - 11 13/16 x 49 5/16	1 - 11 13/16 x 5 5/16
W1D1848 R-L	1 - 16 x 38 1/2	1 - 16 x 6 1/2	1 - 17 1/2 x 39	1 - 17 1/2 x 7	1 - 14 13/16 x 37 5/16	1 - 14 13/16 x 5 5/16
W1D1851 R-L	1 - 16 x 41 1/2	1 - 16 x 6 1/2	1 - 17 1/2 x 42	1 - 17 1/2 x 7	1 - 14 13/16 x 40 5/16	1 - 14 13/16 x 5 5/16
W1D1854 R-L	1 - 16 x 44 1/2	1 - 16 x 6 1/2	1 - 17 1/2 x 45	1 - 17 1/2 x 7	1 - 14 13/16 x 43 5/16	1 - 14 13/16 x 5 5/16
W1D1857 R-L	1 - 16 x 47 1/2	1 - 16 x 6 1/2	1 - 17 1/2 x 48	1 - 17 1/2 x 7	1 - 14 13/16 x 46 5/16	1 - 14 13/16 x 5 5/16
W1D1860 R-L	1 - 16 x 50 1/2	1 - 16 x 6 1/2	1 - 17 1/2 x 51	1 - 17 1/2 x 7	1 - 14 13/16 x 49 5/16	1 - 14 13/16 x 5 5/16

Door & Drawer Front Sizes

PREFERRED
BY KARMAN

Cabinet	HALF OVERLAY		FULL OVERLAY		INSET	
	Door	Drawer Front	Door	Drawer Front	Door	Drawer Front
W1D2148R-L	1-19 x 38½	1-19 x 6½	1-20½ x 39	1-20½ x 7	1-17 13/16 x 37 5/16	1-17 13/16 x 5 5/16
W1D2151R-L	1-19 x 41½	1-19 x 6½	1-20½ x 42	1-20½ x 7	1-17 13/16 x 40 5/16	1-17 13/16 x 5 5/16
W1D2154R-L	1-19 x 44½	1-19 x 6½	1-20½ x 45	1-20½ x 7	1-17 13/16 x 43 5/16	1-17 13/16 x 5 5/16
W1D2157R-L	1-19 x 47½	1-19 x 6½	1-20½ x 48	1-20½ x 7	1-17 13/16 x 46 5/16	1-17 13/16 x 5 5/16
W1D2160R-L	1-19 x 50½	1-19 x 6½	1-20½ x 51	1-20½ x 7	1-17 13/16 x 49 5/16	1-17 13/16 x 5 5/16
W1D2448R-L	1-22 x 38½	1-22 x 6½	1-23½ x 39	1-23½ x 7	1-20 13/16 x 37 5/16	1-20 13/16 x 5 5/16
W1D2451R-L	1-22 x 41½	1-22 x 6½	1-23½ x 42	1-23½ x 7	1-20 13/16 x 40 5/16	1-20 13/16 x 5 5/16
W1D2454R-L	1-22 x 44½	1-22 x 6½	1-23½ x 45	1-23½ x 7	1-20 13/16 x 43 5/16	1-20 13/16 x 5 5/16
W1D2457R-L	1-22 x 47½	1-22 x 6½	1-23½ x 48	1-23½ x 7	1-20 13/16 x 46 5/16	1-20 13/16 x 5 5/16
W1D2460R-L	1-22 x 50½	1-22 x 6½	1-23½ x 51	1-23½ x 7	1-20 13/16 x 49 5/16	1-20 13/16 x 5 5/16
W1D2448B	2-10 15/16 x 38½	1-22 x 6½	2-11 11/16 x 39	1-23½ x 7	2-10 3/8 x 37 5/16	1-20 13/16 x 5 5/16
W1D2451B	2-10 15/16 x 41½	1-22 x 6½	2-11 11/16 x 42	1-23½ x 7	2-10 3/8 x 40 5/16	1-20 13/16 x 5 5/16
W1D2454B	2-10 15/16 x 44½	1-22 x 6½	2-11 11/16 x 45	1-23½ x 7	2-10 3/8 x 43 5/16	1-20 13/16 x 5 5/16
W1D2457B	2-10 15/16 x 47½	1-22 x 6½	2-11 11/16 x 48	1-23½ x 7	2-10 3/8 x 46 5/16	1-20 13/16 x 5 5/16
W1D2460B	2-10 15/16 x 50½	1-22 x 6½	2-11 11/16 x 51	1-23½ x 7	2-10 3/8 x 49 5/16	1-20 13/16 x 5 5/16
W1D2748B	2-12 7/16 x 38½	1-25 x 6½	2-13 3/16 x 39	1-26½ x 7	2-11 7/8 x 37 5/16	1-23 13/16 x 5 5/16
W1D2751B	2-12 7/16 x 41½	1-25 x 6½	2-13 3/16 x 42	1-26½ x 7	2-11 7/8 x 40 5/16	1-23 13/16 x 5 5/16
W1D2754B	2-12 7/16 x 44½	1-25 x 6½	2-13 3/16 x 45	1-26½ x 7	2-11 7/8 x 43 5/16	1-23 13/16 x 5 5/16
W1D2757B	2-12 7/16 x 47½	1-25 x 6½	2-13 3/16 x 48	1-26½ x 7	2-11 7/8 x 46 5/16	1-23 13/16 x 5 5/16
W1D2760B	2-12 7/16 x 50½	1-25 x 6½	2-13 3/16 x 51	1-26½ x 7	2-11 7/8 x 49 5/16	1-23 13/16 x 5 5/16
W1D3048B	2-13 15/16 x 38½	1-28 x 6½	2-14 11/16 x 39	1-29½ x 7	2-13 3/8 x 37 5/16	1-26 13/16 x 5 5/16
W1D3051B	2-13 15/16 x 41½	1-28 x 6½	2-14 11/16 x 42	1-29½ x 7	2-13 3/8 x 40 5/16	1-26 13/16 x 5 5/16
W1D3054B	2-13 15/16 x 44½	1-28 x 6½	2-14 11/16 x 45	1-29½ x 7	2-13 3/8 x 43 5/16	1-26 13/16 x 5 5/16
W1D3057B	2-13 15/16 x 47½	1-28 x 6½	2-14 11/16 x 48	1-29½ x 7	2-13 3/8 x 46 5/16	1-26 13/16 x 5 5/16
W1D3060B	2-13 15/16 x 50½	1-28 x 6½	2-14 11/16 x 51	1-29½ x 7	2-13 3/8 x 49 5/16	1-26 13/16 x 5 5/16
W1D3348B	2-15 7/16 x 38½	1-31 x 6½	2-16 3/16 x 39	1-32½ x 7	2-14 7/8 x 37 5/16	1-29 13/16 x 5 5/16
W1D3351B	2-15 7/16 x 41½	1-31 x 6½	2-16 3/16 x 42	1-32½ x 7	2-14 7/8 x 40 5/16	1-29 13/16 x 5 5/16
W1D3354B	2-15 7/16 x 44½	1-31 x 6½	2-16 3/16 x 45	1-32½ x 7	2-14 7/8 x 43 5/16	1-29 13/16 x 5 5/16
W1D3357B	2-15 7/16 x 47½	1-31 x 6½	2-16 3/16 x 48	1-32½ x 7	2-14 7/8 x 46 5/16	1-29 13/16 x 5 5/16
W1D3360B	2-15 7/16 x 50½	1-31 x 6½	2-16 3/16 x 51	1-32½ x 7	2-14 7/8 x 49 5/16	1-29 13/16 x 5 5/16
W1D3648B	2-16 15/16 x 38½	1-34 x 6½	2-17 11/16 x 39	1-35½ x 7	2-16 3/8 x 37 5/16	1-32 13/16 x 5 5/16
W1D3651B	2-16 15/16 x 41½	1-34 x 6½	2-17 11/16 x 42	1-35½ x 7	2-16 3/8 x 40 5/16	1-32 13/16 x 5 5/16
W1D3654B	2-16 15/16 x 44½	1-34 x 6½	2-17 11/16 x 45	1-35½ x 7	2-16 3/8 x 43 5/16	1-32 13/16 x 5 5/16
W1D3657B	2-16 15/16 x 47½	1-34 x 6½	2-17 11/16 x 48	1-35½ x 7	2-16 3/8 x 46 5/16	1-32 13/16 x 5 5/16
W1D3660B	2-16 15/16 x 50½	1-34 x 6½	2-17 11/16 x 51	1-35½ x 7	2-16 3/8 x 49 5/16	1-32 13/16 x 5 5/16
W2115R-L	1-19 x 13		1-20½ x 13½		1-17 13/16 x 11 13/16	
W2118R-L	1-19 x 16		1-20½ x 16½		1-17 13/16 x 14 13/16	
W2121R-L	1-19 x 19		1-20½ x 19½		1-17 13/16 x 17 13/16	
W2124R-L	1-19 x 22		1-20½ x 22½		1-17 13/16 x 20 13/16	
W2127R-L	1-19 x 25		1-20½ x 25½		1-17 13/16 x 23 13/16	
W2130R-L	1-19 x 28		1-20½ x 28½		1-17 13/16 x 26 13/16	
W2133R-L	1-19 x 31		1-20½ x 31½		1-17 13/16 x 29 13/16	
W2136R-L	1-19 x 34		1-20½ x 34½		1-17 13/16 x 32 13/16	
W2142R-L	1-19 x 40		1-20½ x 40½		1-17 13/16 x 38 13/16	
W2415R-L	1-22 x 13		1-23½ x 13½		1-20 13/16 x 11 13/16	
W2418R-L	1-22 x 16		1-23½ x 16½		1-20 13/16 x 14 13/16	
W2421R-L	1-22 x 19		1-23½ x 19½		1-20 13/16 x 17 13/16	

Door & Drawer Front Sizes

Cabinet	HALF OVERLAY		FULL OVERLAY		INSET	
	Door	Drawer Front	Door	Drawer Front	Door	Drawer Front
W2424 R-L	1-22 x 22		1-23½ x 22½		1-20 13/16 x 20 13/16	
W2427 R-L	1-22 x 25		1-23½ x 25½		1-20 13/16 x 23 13/16	
W2430 R-L	1-22 x 28		1-23½ x 28½		1-20 13/16 x 26 13/16	
W2433 R-L	1-22 x 31		1-23½ x 31½		1-20 13/16 x 29 13/16	
W2436 R-L	1-22 x 34		1-23½ x 34½		1-20 13/16 x 32 13/16	
W2439 R-L	1-22 x 37		1-23½ x 37½		1-20 13/16 x 35 13/16	
W2442 R-L	1-22 x 40		1-23½ x 40½		1-20 13/16 x 38 13/16	
W2412B	2-10 15/16 x 10		2-11 1/16 x 10½		2-10 3/8 x 8 13/16	
W2415B	2-10 15/16 x 13		2-11 1/16 x 13½		2-10 3/8 x 11 13/16	
W2418B	2-10 15/16 x 16		2-11 1/16 x 16½		2-10 3/8 x 14 13/16	
W2421B	2-10 15/16 x 19		2-11 1/16 x 19½		2-10 3/8 x 17 13/16	
W2424B	2-10 15/16 x 22		2-11 1/16 x 22½		2-10 3/8 x 20 13/16	
W2427B	2-10 15/16 x 25		2-11 1/16 x 25½		2-10 3/8 x 23 13/16	
W2430B	2-10 15/16 x 28		2-11 1/16 x 28½		2-10 3/8 x 26 13/16	
W2433B	2-10 15/16 x 31		2-11 1/16 x 31½		2-10 3/8 x 29 13/16	
W2436B	2-10 15/16 x 34		2-11 1/16 x 34½		2-10 3/8 x 32 13/16	
W2439B	2-10 15/16 x 37		2-11 1/16 x 37½		2-10 3/8 x 35 13/16	
W2442B	2-10 15/16 x 40		2-11 1/16 x 40½		2-10 3/8 x 38 13/16	
W2712B	2-12 7/16 x 10		2-13 3/16 x 10½		2-11 7/8 x 8 13/16	
W2715B	2-12 7/16 x 13		2-13 3/16 x 13½		2-11 7/8 x 11 13/16	
W2718B	2-12 7/16 x 16		2-13 3/16 x 16½		2-11 7/8 x 14 13/16	
W2721B	2-12 7/16 x 19		2-13 3/16 x 19½		2-11 7/8 x 17 13/16	
W2724B	2-12 7/16 x 22		2-13 3/16 x 22½		2-11 7/8 x 20 13/16	
W2727B	2-12 7/16 x 25		2-13 3/16 x 25½		2-11 7/8 x 23 13/16	
W2730B	2-12 7/16 x 28		2-13 3/16 x 28½		2-11 7/8 x 26 13/16	
W2733B	2-12 7/16 x 31		2-13 3/16 x 31½		2-11 7/8 x 29 13/16	
W2736B	2-12 7/16 x 34		2-13 3/16 x 34½		2-11 7/8 x 32 13/16	
W2739B	2-12 7/16 x 37		2-13 3/16 x 37½		2-11 7/8 x 35 13/16	
W2742B	2-12 7/16 x 40		2-13 3/16 x 40½		2-11 7/8 x 38 13/16	
W3012B	2-13 15/16 x 10		2-14 11/16 x 10½		2-13 3/8 x 8 13/16	
W3015B	2-13 15/16 x 13		2-14 11/16 x 13½		2-13 3/8 x 11 13/16	
W3018B	2-13 15/16 x 16		2-14 11/16 x 16½		2-13 3/8 x 14 13/16	
W3021B	2-13 15/16 x 19		2-14 11/16 x 19½		2-13 3/8 x 17 13/16	
W3024B	2-13 15/16 x 22		2-14 11/16 x 22½		2-13 3/8 x 20 13/16	
W3027B	2-13 15/16 x 25		2-14 11/16 x 25½		2-13 3/8 x 23 13/16	
W3030B	2-13 15/16 x 28		2-14 11/16 x 28½		2-13 3/8 x 26 13/16	
W3033B	2-13 15/16 x 31		2-14 11/16 x 31½		2-13 3/8 x 29 13/16	
W3036B	2-13 15/16 x 34		2-14 11/16 x 34½		2-13 3/8 x 32 13/16	
W3039B	2-13 15/16 x 37		2-14 11/16 x 37½		2-13 3/8 x 35 13/16	
W3042B	2-13 15/16 x 40		2-14 11/16 x 40½		2-13 3/8 x 38 13/16	
W3012-24B	2-13 15/16 x 10		2-14 11/16 x 10½		2-13 3/8 x 8 13/16	
W3015-24B	2-13 15/16 x 13		2-14 11/16 x 13½		2-13 3/8 x 11 13/16	
W3018-24B	2-13 15/16 x 16		2-14 11/16 x 16½		2-13 3/8 x 14 13/16	
W3021-24B	2-13 15/16 x 19		2-14 11/16 x 19½		2-13 3/8 x 17 13/16	
W3024-24B	2-13 15/16 x 22		2-14 11/16 x 22½		2-13 3/8 x 20 13/16	
W3027-24B	2-13 15/16 x 25		2-14 11/16 x 25½		2-13 3/8 x 23 13/16	
W3312B	2-15 7/16 x 10		2-16 3/16 x 10½		2-14 7/8 x 8 13/16	

Door & Drawer Front Sizes

PREFERRED
BY KARMAN

Cabinet	HALF OVERLAY		FULL OVERLAY		INSET	
	Door	Drawer Front	Door	Drawer Front	Door	Drawer Front
W3315B	2- 15 7/16 x 13		2- 16 3/16 x 13 1/2		2- 14 7/8 x 11 13/16	
W3318B	2- 15 7/16 x 16		2- 16 3/16 x 16 1/2		2- 14 7/8 x 14 13/16	
W3321B	2- 15 7/16 x 19		2- 16 3/16 x 19 1/2		2- 14 7/8 x 17 13/16	
W3324B	2- 15 7/16 x 22		2- 16 3/16 x 22 1/2		2- 14 7/8 x 20 13/16	
W3327B	2- 15 7/16 x 25		2- 16 3/16 x 25 1/2		2- 14 7/8 x 23 13/16	
W3333B	2- 15 7/16 x 31		2- 16 3/16 x 31 1/2		2- 14 7/8 x 29 13/16	
W3336B	2- 15 7/16 x 34		2- 16 3/16 x 34 1/2		2- 14 7/8 x 32 13/16	
W3339B	2- 15 7/16 x 37		2- 16 3/16 x 37 1/2		2- 14 7/8 x 35 13/16	
W3342B	2- 15 7/16 x 40		2- 16 3/16 x 40 1/2		2- 14 7/8 x 38 13/16	
W3312-24B	2- 15 7/16 x 10		2- 16 3/16 x 10 1/2		2- 14 7/8 x 8 13/16	
W3315-24B	2- 15 7/16 x 13		2- 16 3/16 x 13 1/2		2- 14 7/8 x 11 13/16	
W3318-24B	2- 15 7/16 x 16		2- 16 3/16 x 16 1/2		2- 14 7/8 x 14 13/16	
W3321-24B	2- 15 7/16 x 19		2- 16 3/16 x 19 1/2		2- 14 7/8 x 17 13/16	
W3324-24B	2- 15 7/16 x 22		2- 16 3/16 x 22 1/2		2- 14 7/8 x 20 13/16	
W3327-24B	2- 15 7/16 x 25		2- 16 3/16 x 25 1/2		2- 14 7/8 x 23 13/16	
W3612B	2- 16 15/16 x 10		2- 17 11/16 x 10 1/2		2- 16 3/8 x 8 13/16	
W3615B	2- 16 15/16 x 13		2- 17 11/16 x 13 1/2		2- 16 3/8 x 11 13/16	
W3618B	2- 16 15/16 x 16		2- 17 11/16 x 16 1/2		2- 16 3/8 x 14 13/16	
W3621B	2- 16 15/16 x 19		2- 17 11/16 x 19 1/2		2- 16 3/8 x 17 13/16	
W3624B	2- 16 15/16 x 22		2- 17 11/16 x 22 1/2		2- 16 3/8 x 20 13/16	
W3627B	2- 16 15/16 x 25		2- 17 11/16 x 25 1/2		2- 16 3/8 x 23 13/16	
W3630B	2- 16 15/16 x 28		2- 17 11/16 x 28 1/2		2- 16 3/8 x 26 13/16	
W3633B	2- 16 15/16 x 31		2- 17 11/16 x 31 1/2		2- 16 3/8 x 29 13/16	
W3636B	2- 16 15/16 x 34		2- 17 11/16 x 34 1/2		2- 16 3/8 x 32 13/16	
W3639B	2- 16 15/16 x 37		2- 17 11/16 x 37 1/2		2- 16 3/8 x 35 13/16	
W3642B	2- 16 15/16 x 40		2- 17 11/16 x 40 1/2		2- 16 3/8 x 38 13/16	
W3612-24B	2- 16 15/16 x 10		2- 17 11/16 x 10 1/2		2- 16 3/8 x 8 13/16	
W3615-24B	2- 16 15/16 x 13		2- 17 11/16 x 13 1/2		2- 16 3/8 x 11 13/16	
W3618-24B	2- 16 15/16 x 16		2- 17 11/16 x 16 1/2		2- 16 3/8 x 14 13/16	
W3621-24B	2- 16 15/16 x 19		2- 17 11/16 x 19 1/2		2- 16 3/8 x 17 13/16	
W3624-24B	2- 16 15/16 x 22		2- 17 11/16 x 22 1/2		2- 16 3/8 x 20 13/16	
W3627-24B	2- 16 15/16 x 25		2- 17 11/16 x 25 1/2		2- 16 3/8 x 23 13/16	
W3912B	2- 18 7/16 x 10		2- 19 3/16 x 10 1/2		2- 17 7/8 x 8 13/16	
W3915B	2- 18 7/16 x 13		2- 19 3/16 x 13 1/2		2- 17 7/8 x 11 13/16	
W3918B	2- 18 7/16 x 16		2- 19 3/16 x 16 1/2		2- 17 7/8 x 14 13/16	
W3921B	2- 18 7/16 x 19		2- 19 3/16 x 19 1/2		2- 17 7/8 x 17 13/16	
W3924B	2- 18 7/16 x 22		2- 19 3/16 x 22 1/2		2- 17 7/8 x 20 13/16	
W3927B	2- 18 7/16 x 25		2- 19 3/16 x 25 1/2		2- 17 7/8 x 23 13/16	
W3930B	2- 18 7/16 x 28		2- 19 3/16 x 28 1/2		2- 17 7/8 x 26 13/16	
W3933B	2- 18 7/16 x 31		2- 19 3/16 x 31 1/2		2- 17 7/8 x 29 13/16	
W3936B	2- 18 7/16 x 34		2- 19 3/16 x 34 1/2		2- 17 7/8 x 32 13/16	
W3939B	2- 18 7/16 x 37		2- 19 3/16 x 37 1/2		2- 17 7/8 x 35 13/16	
W3942B	2- 18 7/16 x 40		2- 19 3/16 x 40 1/2		2- 17 7/8 x 38 13/16	
W3912-24B	2- 18 7/16 x 10		2- 19 3/16 x 10 1/2		2- 17 7/8 x 8 13/16	
W3915-24B	2- 18 7/16 x 13		2- 19 3/16 x 13 1/2		2- 17 7/8 x 11 13/16	
W3918-24B	2- 18 7/16 x 16		2- 19 3/16 x 16 1/2		2- 17 7/8 x 14 13/16	
W3921-24B	2- 18 7/16 x 19		2- 19 3/16 x 19 1/2		2- 17 7/8 x 17 13/16	

Door & Drawer Front Sizes

Cabinet	HALF OVERLAY		FULL OVERLAY		INSET	
	Door	Drawer Front	Door	Drawer Front	Door	Drawer Front
W3924-24B	2- 18 7/16 x 22		2- 19 3/16 x 22 1/2		2- 17 7/8 x 20 13/16	
W3927-24B	2- 18 7/16 x 25		2- 19 3/16 x 25 1/2		2- 17 7/8 x 23 13/16	
W3D1548 R-L	1- 13 x 28	3- 13 x 5 1/4	1- 14 1/2 x 28 1/2	1- 14 1/2 x 5 3/4 1- 14 1/2 x 5 1/4 1- 14 1/2 x 5 1/2	1- 11 13/16 x 26 13/16	3- 11 13/16 x 4 1/16
W3D1551 R-L	1- 13 x 31	3- 13 x 5 1/4	1- 14 1/2 x 31 1/2	1- 14 1/2 x 5 3/4 1- 14 1/2 x 5 1/4 1- 14 1/2 x 5 1/2	1- 11 13/16 x 29 13/16	3- 11 13/16 x 4 1/16
W3D1554 R-L	1- 13 x 34	3- 13 x 5 1/4	1- 14 1/2 x 34 1/2	1- 14 1/2 x 5 3/4 1- 14 1/2 x 5 1/4 1- 14 1/2 x 5 1/2	1- 11 13/16 x 32 13/16	3- 11 13/16 x 4 1/16
W3D1557 R-L	1- 13 x 37	3- 13 x 5 1/4	1- 14 1/2 x 37 1/2	1- 14 1/2 x 5 3/4 1- 14 1/2 x 5 1/4 1- 14 1/2 x 5 1/2	1- 11 13/16 x 35 13/16	3- 11 13/16 x 4 1/16
W3D1560 R-L	1- 13 x 40	3- 13 x 5 1/4	1- 14 1/2 x 41 1/2	1- 14 1/2 x 5 3/4 1- 14 1/2 x 5 1/4 1- 14 1/2 x 5 1/2	1- 11 13/16 x 38 13/16	3- 11 13/16 x 4 1/16
W3D1848 R-L	1- 16 x 28	3- 16 x 5 1/4	1- 17 1/2 x 28 1/2	1- 17 1/2 x 5 3/4 1- 17 1/2 x 5 1/4 1- 17 1/2 x 5 1/2	1- 14 13/16 x 26 13/16	3- 14 13/16 x 4 1/16
W3D1851 R-L	1- 16 x 31	3- 16 x 5 1/4	1- 17 1/2 x 31 1/2	1- 17 1/2 x 5 3/4 1- 17 1/2 x 5 1/4 1- 17 1/2 x 5 1/2	1- 14 13/16 x 29 13/16	3- 14 13/16 x 4 1/16
W3D1854 R-L	1- 16 x 34	3- 16 x 5 1/4	1- 17 1/2 x 34 1/2	1- 17 1/2 x 5 3/4 1- 17 1/2 x 5 1/4 1- 17 1/2 x 5 1/2	1- 14 13/16 x 32 13/16	3- 14 13/16 x 4 1/16
W3D1857 R-L	1- 16 x 37	3- 16 x 5 1/4	1- 17 1/2 x 37 1/2	1- 17 1/2 x 5 3/4 1- 17 1/2 x 5 1/4 1- 17 1/2 x 5 1/2	1- 14 13/16 x 35 13/16	3- 14 13/16 x 4 1/16
W3D1860 R-L	1- 16 x 40	3- 16 x 5 1/4	1- 17 1/2 x 41 1/2	1- 17 1/2 x 5 3/4 1- 17 1/2 x 5 1/4 1- 17 1/2 x 5 1/2	1- 14 13/16 x 38 13/16	3- 14 13/16 x 4 1/16
W3D2148 R-L	1- 19 x 28	3- 19 x 5 1/4	1- 20 1/2 x 28 1/2	1- 20 1/2 x 5 3/4 1- 20 1/2 x 5 1/4 1- 20 1/2 x 5 1/2	1- 17 13/16 x 26 13/16	3- 17 13/16 x 4 1/16
W3D2151 R-L	1- 19 x 31	3- 19 x 5 1/4	1- 20 1/2 x 31 1/2	1- 20 1/2 x 5 3/4 1- 20 1/2 x 5 1/4 1- 20 1/2 x 5 1/2	1- 17 13/16 x 29 13/16	3- 17 13/16 x 4 1/16
W3D2154 R-L	1- 19 x 34	3- 19 x 5 1/4	1- 20 1/2 x 34 1/2	1- 20 1/2 x 5 3/4 1- 20 1/2 x 5 1/4 1- 20 1/2 x 5 1/2	1- 17 13/16 x 32 13/16	3- 17 13/16 x 4 1/16
W3D2157 R-L	1- 19 x 37	3- 19 x 5 1/4	1- 20 1/2 x 37 1/2	1- 20 1/2 x 5 3/4 1- 20 1/2 x 5 1/4 1- 20 1/2 x 5 1/2	1- 17 13/16 x 35 13/16	3- 17 13/16 x 4 1/16
W3D2160 R-L	1- 19 x 40	3- 19 x 5 1/4	1- 20 1/2 x 40 1/2	1- 20 1/2 x 5 3/4 1- 20 1/2 x 5 1/4 1- 20 1/2 x 5 1/2	1- 17 13/16 x 38 13/16	3- 17 13/16 x 4 1/16

Door & Drawer Front Sizes

PREFERRED
BY KARMAN

Cabinet	HALF OVERLAY		FULL OVERLAY		INSET	
	Door	Drawer Front	Door	Drawer Front	Door	Drawer Front
W3D2448 R-L	1-22x28	3-22x5¼	1-23½x28½	1-23½x53/4 1-23½x5¼ 1-23½x5½	1-20 13/16x26 13/16	3-20 13/16x4 1/16
W3D2451 R-L	1-22x31	3-22x5¼	1-23½x31½	1-23½x53/4 1-23½x5¼ 1-23½x5½	1-20 13/16x29 13/16	3-20 13/16x4 1/16
W3D2454 R-L	1-22x34	3-22x5¼	1-23½x34½	1-23½x53/4 1-23½x5¼ 1-23½x5½	1-20 13/16x32 13/16	3-20 13/16x4 1/16
W3D2457 R-L	1-22x37	3-22x5¼	1-23½x37½	1-23½x53/4 1-23½x5¼ 1-23½x5½	1-20 13/16x35 13/16	3-20 13/16x4 1/16
W3D2460 R-L	1-22x40	3-22x5¼	1-23½x40½	1-23½x53/4 1-23½x5¼ 1-23½x5½	1-20 13/16x38 13/16	3-20 13/16x4 1/16
W3D2448B	2-10 15/16x28	3-22x5¼	2-11 11/16x28½	1-23½x53/4 1-23½x5¼ 1-23½x5½	2-10 3/8x26 13/16	3-20 13/16x4 1/16
W3D2451B	2-10 15/16x31	3-22x5¼	2-11 11/16x31½	1-23½x53/4 1-23½x5¼ 1-23½x5½	2-10 3/8x29 13/16	3-20 13/16x4 1/16
W3D2454B	2-10 15/16x34	3-22x5¼	2-11 11/16x34½	1-23½x53/4 1-23½x5¼ 1-23½x5½	2-10 3/8x32 13/16	3-20 13/16x4 1/16
W3D2457B	2-10 15/16x37	3-22x5¼	2-11 11/16x37½	1-23½x53/4 1-23½x5¼ 1-23½x5½	2-10 3/8x35 13/16	3-20 13/16x4 1/16
W3D2460B	2-10 15/16x40	3-22x5¼	2-11 11/16x40½	1-23½x53/4 1-23½x5¼ 1-23½x5½	2-10 3/8x38 13/16	3-20 13/16x4 1/16
W3D2748B	2-12 7/16x28	3-25x5¼	2-13 3/16x28½	1-26½x53/4 1-26½x5¼ 1-26½x5½	2-11 7/8x26 13/16	3-23 13/16x4 1/16
W3D2751B	2-12 7/16x31	3-25x5¼	2-13 3/16x31½	1-26½x53/4 1-26½x5¼ 1-26½x5½	2-11 7/8x29 13/16	3-23 13/16x4 1/16
W3D2754B	2-12 7/16x34	3-25x5¼	2-13 3/16x34½	1-26½x53/4 1-26½x5¼ 1-26½x5½	2-11 7/8x32 13/16	3-23 13/16x4 1/16
W3D2757B	2-12 7/16x37	3-25x5¼	2-13 3/16x37½	1-26½x53/4 1-26½x5¼ 1-26½x5½	2-11 7/8x35 13/16	3-23 13/16x4 1/16
W3D2760B	2-12 7/16x40	3-25x5¼	2-13 3/16x40½	1-26½x53/4 1-26½x5¼ 1-26½x5½	2-11 7/8x38 13/16	3-23 13/16x4 1/16

Door & Drawer Front Sizes

Cabinet	HALF OVERLAY		FULL OVERLAY		INSET	
	Door	Drawer Front	Door	Drawer Front	Door	Drawer Front
W3D3048B	2 - 13 15/16 x 28	3 - 28 x 5 1/4	2 - 14 11/16 x 28 1/2	1 - 29 1/2 x 5 3/4 1 - 29 1/2 x 5 1/4 1 - 29 1/2 x 5 1/2	2 - 13 3/8 x 26 13/16	3 - 26 13/16 x 4 1/16
W3D3051B	2 - 13 15/16 x 31	3 - 28 x 5 1/4	2 - 14 11/16 x 31 1/2	1 - 29 1/2 x 5 3/4 1 - 29 1/2 x 5 1/4 1 - 29 1/2 x 5 1/2	2 - 13 3/8 x 29 13/16	3 - 26 13/16 x 4 1/16
W3D3054B	2 - 13 15/16 x 34	3 - 28 x 5 1/4	2 - 14 11/16 x 34 1/2	1 - 29 1/2 x 5 3/4 1 - 29 1/2 x 5 1/4 1 - 29 1/2 x 5 1/2	2 - 13 3/8 x 32 13/16	3 - 26 13/16 x 4 1/16
W3D3057B	2 - 13 15/16 x 37	3 - 28 x 5 1/4	2 - 14 11/16 x 37 1/2	1 - 29 1/2 x 5 3/4 1 - 29 1/2 x 5 1/4 1 - 29 1/2 x 5 1/2	2 - 13 3/8 x 35 13/16	3 - 26 13/16 x 4 1/16
W3D3060B	2 - 13 15/16 x 40	3 - 28 x 5 1/4	2 - 14 11/16 x 40 1/2	1 - 29 1/2 x 5 3/4 1 - 29 1/2 x 5 1/4 1 - 29 1/2 x 5 1/2	2 - 13 3/8 x 38 13/16	3 - 26 13/16 x 4 1/16
W3D3348B	2 - 15 7/16 x 28	3 - 31 x 5 1/4	2 - 16 3/16 x 28 1/2	1 - 32 1/2 x 5 3/4 1 - 32 1/2 x 5 1/4 1 - 32 1/2 x 5 1/2	2 - 14 7/8 x 26 13/16	3 - 29 13/16 x 4 1/16
W3D3351B	2 - 15 7/16 x 31	3 - 31 x 5 1/4	2 - 16 3/16 x 31 1/2	1 - 32 1/2 x 5 3/4 1 - 32 1/2 x 5 1/4 1 - 32 1/2 x 5 1/2	2 - 14 7/8 x 29 13/16	3 - 29 13/16 x 4 1/16
W3D3354B	2 - 15 7/16 x 34	3 - 31 x 5 1/4	2 - 16 3/16 x 34 1/2	1 - 32 1/2 x 5 3/4 1 - 32 1/2 x 5 1/4 1 - 32 1/2 x 5 1/2	2 - 14 7/8 x 32 13/16	3 - 29 13/16 x 4 1/16
W3D3357B	2 - 15 7/16 x 37	3 - 31 x 5 1/4	2 - 16 3/16 x 37 1/2	1 - 32 1/2 x 5 3/4 1 - 32 1/2 x 5 1/4 1 - 32 1/2 x 5 1/2	2 - 14 7/8 x 35 13/16	3 - 29 13/16 x 4 1/16
W3D3360B	2 - 15 7/16 x 40	3 - 31 x 5 1/4	2 - 16 3/16 x 40 1/2	1 - 32 1/2 x 5 3/4 1 - 32 1/2 x 5 1/4 1 - 32 1/2 x 5 1/2	2 - 14 7/8 x 38 13/16	3 - 29 13/16 x 4 1/16
W3D3648B	2 - 16 15/16 x 28	3 - 34 x 5 1/4	2 - 17 11/16 x 28 1/2	1 - 35 1/2 x 5 3/4 1 - 35 1/2 x 5 1/4 1 - 35 1/2 x 5 1/2	2 - 16 3/8 x 26 13/16	3 - 32 13/16 x 4 1/16
W3D3651B	2 - 16 15/16 x 31	3 - 34 x 5 1/4	2 - 17 11/16 x 31 1/2	1 - 35 1/2 x 5 3/4 1 - 35 1/2 x 5 1/4 1 - 35 1/2 x 5 1/2	2 - 16 3/8 x 29 13/16	3 - 32 13/16 x 4 1/16
W3D3654B	2 - 16 15/16 x 34	3 - 34 x 5 1/4	2 - 17 11/16 x 34 1/2	1 - 35 1/2 x 5 3/4 1 - 35 1/2 x 5 1/4 1 - 35 1/2 x 5 1/2	2 - 16 3/8 x 32 13/16	3 - 32 13/16 x 4 1/16
W3D3657B	2 - 16 15/16 x 37	3 - 34 x 5 1/4	2 - 17 11/16 x 37 1/2	1 - 35 1/2 x 5 3/4 1 - 35 1/2 x 5 1/4 1 - 35 1/2 x 5 1/2	2 - 16 3/8 x 35 13/16	3 - 32 13/16 x 4 1/16
W3D3660B	2 - 16 15/16 x 40	3 - 34 x 5 1/4	2 - 17 11/16 x 40 1/2	1 - 35 1/2 x 5 3/4 1 - 35 1/2 x 5 1/4 1 - 35 1/2 x 5 1/2	2 - 16 3/8 x 38 13/16	3 - 32 13/16 x 4 1/16
W4218B	2 - 19 15/16 x 16		2 - 20 11/16 x 16 1/2		2 - 19 3/8 x 14 13/16	
W4221B	2 - 19 15/16 x 19		2 - 20 11/16 x 19 1/2		2 - 19 3/8 x 17 13/16	

Door & Drawer Front Sizes

PREFERRED
BY KARMAN

Cabinet	HALF OVERLAY		FULL OVERLAY		INSET	
	Door	Drawer Front	Door	Drawer Front	Door	Drawer Front
W4224B	2 - 19 15/16 x 22		2 - 20 11/16 x 22 1/2		2 - 19 3/8 x 20 13/16	
W4227B	2 - 19 15/16 x 25		2 - 20 11/16 x 25 1/2		2 - 19 3/8 x 23 13/16	
W4230B	2 - 19 15/16 x 28		2 - 20 11/16 x 28 1/2		2 - 19 3/8 x 26 13/16	
W4233B	2 - 19 15/16 x 31		2 - 20 11/16 x 31 1/2		2 - 19 3/8 x 29 13/16	
W4236B	2 - 19 15/16 x 34		2 - 20 11/16 x 34 1/2		2 - 19 3/8 x 32 13/16	
W4239B	2 - 19 15/16 x 37		2 - 20 11/16 x 37 1/2		2 - 19 3/8 x 35 13/16	
W4242B	2 - 19 15/16 x 40		2 - 20 11/16 x 40 1/2		2 - 19 3/8 x 38 13/16	
W4218-24B	2 - 19 15/16 x 16		2 - 20 11/16 x 16 1/2		2 - 19 3/8 x 14 13/16	
W4221-24B	2 - 19 15/16 x 19		2 - 20 11/16 x 19 1/2		2 - 19 3/8 x 17 13/16	
W4224-24B	2 - 19 15/16 x 22		2 - 20 11/16 x 22 1/2		2 - 19 3/8 x 20 13/16	
W4227-24B	2 - 19 15/16 x 25		2 - 20 11/16 x 25 1/2		2 - 19 3/8 x 23 13/16	
W4524B	2 - 21 7/16 x 22		2 - 22 3/16 x 22 1/2		2 - 20 7/8 x 20 13/16	
W4527B	2 - 21 7/16 x 25		2 - 22 3/16 x 25 1/2		2 - 20 7/8 x 23 13/16	
W4530B	2 - 21 7/16 x 28		2 - 22 3/16 x 28 1/2		2 - 20 7/8 x 26 13/16	
W4533B	2 - 21 7/16 x 31		2 - 22 3/16 x 31 1/2		2 - 20 7/8 x 29 13/16	
W4536B	2 - 21 7/16 x 34		2 - 22 3/16 x 34 1/2		2 - 20 7/8 x 32 13/16	
W4539B	2 - 21 7/16 x 37		2 - 22 3/16 x 37 1/2		2 - 20 7/8 x 35 13/16	
W4542B	2 - 21 7/16 x 40		2 - 22 3/16 x 40 1/2		2 - 20 7/8 x 38 13/16	
W4524-24B	2 - 21 7/16 x 22		2 - 22 3/16 x 22 1/2		2 - 20 7/8 x 20 13/16	
W4527-24B	2 - 21 7/16 x 25		2 - 22 3/16 x 25 1/2		2 - 20 7/8 x 23 13/16	
W4824B	2 - 22 15/16 x 22		2 - 23 11/16 x 22 1/2		2 - 22 3/8 x 20 13/16	
W4827B	2 - 22 15/16 x 25		2 - 23 11/16 x 25 1/2		2 - 22 3/8 x 23 13/16	
W4830B	2 - 22 15/16 x 28		2 - 23 11/16 x 28 1/2		2 - 22 3/8 x 26 13/16	
W4833B	2 - 22 15/16 x 31		2 - 23 11/16 x 31 1/2		2 - 22 3/8 x 29 13/16	
W4836B	2 - 22 15/16 x 34		2 - 23 11/16 x 34 1/2		2 - 22 3/8 x 32 13/16	
W4839B	2 - 22 15/16 x 37		2 - 23 11/16 x 37 1/2		2 - 22 3/8 x 35 13/16	
W4842B	2 - 22 15/16 x 40		2 - 23 11/16 x 40 1/2		2 - 22 3/8 x 38 13/16	
W4824-24B	2 - 22 15/16 x 22		2 - 23 11/16 x 22 1/2		2 - 22 3/8 x 20 13/16	
W4827-24B	2 - 22 15/16 x 25		2 - 23 11/16 x 25 1/2		2 - 22 3/8 x 23 13/16	
WAC1824 R-L	1 - 16 x 16		1 - 17 1/2 x 16		1 - 14 13/16 x 14 13/16	
WAC1830 R-L	1 - 16 x 22		1 - 17 1/2 x 22		1 - 14 13/16 x 20 13/16	
WAC1833 R-L	1 - 16 x 25		1 - 17 1/2 x 25		1 - 14 13/16 x 23 13/16	
WAC1836 R-L	1 - 16 x 28		1 - 17 1/2 x 28		1 - 14 13/16 x 26 13/16	
WAC1839 R-L	1 - 16 x 31		1 - 17 1/2 x 31		1 - 14 13/16 x 29 13/16	
WAC1842 R-L	1 - 16 x 34		1 - 17 1/2 x 34		1 - 14 13/16 x 32 13/16	
WAC2424 R-L	1 - 22 x 16		1 - 23 1/2 x 16		1 - 20 13/16 x 14 13/16	
WAC2430 R-L	1 - 22 x 22		1 - 23 1/2 x 22		1 - 20 13/16 x 20 13/16	
WAC2433 R-L	1 - 22 x 25		1 - 23 1/2 x 25		1 - 20 13/16 x 23 13/16	
WAC2436 R-L	1 - 22 x 28		1 - 23 1/2 x 28		1 - 20 13/16 x 26 13/16	
WAC2439 R-L	1 - 22 x 31		1 - 23 1/2 x 31		1 - 20 13/16 x 29 13/16	
WAC2442 R-L	1 - 22 x 34		1 - 23 1/2 x 34		1 - 20 13/16 x 32 13/16	
WAC2424B	2 - 10 15/16 x 16		2 - 11 11/16 x 16		2 - 10 3/8 x 14 13/16	
WAC2430B	2 - 10 15/16 x 22		2 - 11 11/16 x 22		2 - 10 3/8 x 20 13/16	
WAC2433B	2 - 10 15/16 x 25		2 - 11 11/16 x 25		2 - 10 3/8 x 23 13/16	
WAC2436B	2 - 10 15/16 x 28		2 - 11 11/16 x 28		2 - 10 3/8 x 26 13/16	
WAC2439B	2 - 10 15/16 x 31		2 - 11 11/16 x 31		2 - 10 3/8 x 29 13/16	
WAC2442B	2 - 10 15/16 x 34		2 - 11 11/16 x 34		2 - 10 3/8 x 32 13/16	

Door & Drawer Front Sizes

Cabinet	HALF OVERLAY		FULL OVERLAY		INSET	
	Door	Drawer Front	Door	Drawer Front	Door	Drawer Front
WAC3024B	2 - 13 15/16 x 16		2 - 14 11/16 x 16		2 - 13 3/8 x 14 13/16	
WAC3030B	2 - 13 15/16 x 22		2 - 14 11/16 x 22		2 - 13 3/8 x 20 13/16	
WAC3033B	2 - 13 15/16 x 25		2 - 14 11/16 x 25		2 - 13 3/8 x 23 13/16	
WAC3036B	2 - 13 15/16 x 28		2 - 14 11/16 x 28		2 - 13 3/8 x 26 13/16	
WAC3039B	2 - 13 15/16 x 31		2 - 14 11/16 x 31		2 - 13 3/8 x 29 13/16	
WAC3042B	2 - 13 15/16 x 34		2 - 14 11/16 x 34		2 - 13 3/8 x 32 13/16	
WAC3624B	2 - 16 15/16 x 16		2 - 17 11/16 x 16		2 - 16 3/8 x 14 13/16	
WAC3630B	2 - 16 15/16 x 22		2 - 17 11/16 x 22		2 - 16 3/8 x 20 13/16	
WAC3633B	2 - 16 15/16 x 25		2 - 17 11/16 x 25		2 - 16 3/8 x 23 13/16	
WAC3636B	2 - 16 15/16 x 28		2 - 17 11/16 x 28		2 - 16 3/8 x 26 13/16	
WAC3639B	2 - 16 15/16 x 31		2 - 17 11/16 x 31		2 - 16 3/8 x 29 13/16	
WAC3642B	2 - 16 15/16 x 34		2 - 17 11/16 x 34		2 - 16 3/8 x 32 13/16	
WACF1824 R-L	1 - 16 x 16	3 - 5 x 5	1 - 17 1/2 x 16	3 - 5 x 5	1 - 14 13/16 x 14 13/16	3 - 4 7/8 x 4 5/16
WACF1830 R-L	1 - 16 x 22	3 - 5 x 5	1 - 17 1/2 x 22	3 - 5 x 5	1 - 14 13/16 x 20 13/16	3 - 4 7/8 x 4 5/16
WACF1833 R-L	1 - 16 x 25	3 - 5 x 5	1 - 17 1/2 x 25	3 - 5 x 5	1 - 14 13/16 x 23 13/16	3 - 4 7/8 x 4 5/16
WACF1836 R-L	1 - 16 x 28	3 - 5 x 5	1 - 17 1/2 x 28	3 - 5 x 5	1 - 14 13/16 x 26 13/16	3 - 4 7/8 x 4 5/16
WACF1839 R-L	1 - 16 x 31	3 - 5 x 5	1 - 17 1/2 x 31	3 - 5 x 5	1 - 14 13/16 x 29 13/16	3 - 4 7/8 x 4 5/16
WACF1842 R-L	1 - 16 x 34	3 - 5 x 5	1 - 17 1/2 x 34	3 - 5 x 5	1 - 14 13/16 x 32 13/16	3 - 4 7/8 x 4 5/16
WACF2424 R-L	1 - 22 x 16	4 - 5 1/8 x 5	1 - 23 1/2 x 16	4 - 5 1/8 x 5	1 - 20 13/16 x 14 13/16	4 - 5 3/16 x 4 5/16
WACF2430 R-L	1 - 22 x 22	4 - 5 1/8 x 5	1 - 23 1/2 x 22	4 - 5 1/8 x 5	1 - 20 13/16 x 20 13/16	4 - 5 3/16 x 4 5/16
WACF2433 R-L	1 - 22 x 25	4 - 5 1/8 x 5	1 - 23 1/2 x 25	4 - 5 1/8 x 5	1 - 20 13/16 x 23 13/16	4 - 5 3/16 x 4 5/16
WACF2436 R-L	1 - 22 x 28	4 - 5 1/8 x 5	1 - 23 1/2 x 28	4 - 5 1/8 x 5	1 - 20 13/16 x 26 13/16	4 - 5 3/16 x 4 5/16
WACF2439 R-L	1 - 22 x 31	4 - 5 1/8 x 5	1 - 23 1/2 x 31	4 - 5 1/8 x 5	1 - 20 13/16 x 29 13/16	4 - 5 3/16 x 4 5/16
WACF2442 R-L	1 - 22 x 34	4 - 5 1/8 x 5	1 - 23 1/2 x 34	4 - 5 1/8 x 5	1 - 20 13/16 x 32 13/16	4 - 5 3/16 x 4 5/16
WACF2424B	2 - 10 15/16 x 16	4 - 5 1/8 x 5	2 - 11 11/16 x 16	4 - 5 1/8 x 5	2 - 10 3/8 x 14 13/16	4 - 5 3/16 x 4 5/16
WACF2430B	2 - 10 15/16 x 22	4 - 5 1/8 x 5	2 - 11 11/16 x 22	4 - 5 1/8 x 5	2 - 10 3/8 x 20 13/16	4 - 5 3/16 x 4 5/16
WACF2433B	2 - 10 15/16 x 25	4 - 5 1/8 x 5	2 - 11 11/16 x 25	4 - 5 1/8 x 5	2 - 10 3/8 x 23 13/16	4 - 5 3/16 x 4 5/16
WACF2436B	2 - 10 15/16 x 28	4 - 5 1/8 x 5	2 - 11 11/16 x 28	4 - 5 1/8 x 5	2 - 10 3/8 x 26 13/16	4 - 5 3/16 x 4 5/16
WACF2439B	2 - 10 15/16 x 31	4 - 5 1/8 x 5	2 - 11 11/16 x 31	4 - 5 1/8 x 5	2 - 10 3/8 x 29 13/16	4 - 5 3/16 x 4 5/16
WACF2442B	2 - 10 15/16 x 34	4 - 5 1/8 x 5	2 - 11 11/16 x 34	4 - 5 1/8 x 5	2 - 10 3/8 x 32 13/16	4 - 5 3/16 x 4 5/16
WACF3024B	2 - 13 15/16 x 16	5 - 5 1/4 x 5	2 - 14 11/16 x 16	5 - 5 1/4 x 5	2 - 13 3/8 x 14 13/16	5 - 5 5/16 x 4 5/16
WACF3030B	2 - 13 15/16 x 22	5 - 5 1/4 x 5	2 - 14 11/16 x 22	5 - 5 1/4 x 5	2 - 13 3/8 x 20 13/16	5 - 5 5/16 x 4 5/16
WACF3033B	2 - 13 15/16 x 25	5 - 5 1/4 x 5	2 - 14 11/16 x 25	5 - 5 1/4 x 5	2 - 13 3/8 x 23 13/16	5 - 5 5/16 x 4 5/16
WACF3036B	2 - 13 15/16 x 28	5 - 5 1/4 x 5	2 - 14 11/16 x 28	5 - 5 1/4 x 5	2 - 13 3/8 x 26 13/16	5 - 5 5/16 x 4 5/16
WACF3039B	2 - 13 15/16 x 31	5 - 5 1/4 x 5	2 - 14 11/16 x 31	5 - 5 1/4 x 5	2 - 13 3/8 x 29 13/16	5 - 5 5/16 x 4 5/16
WACF3042B	2 - 13 15/16 x 34	5 - 5 1/4 x 5	2 - 14 11/16 x 34	5 - 5 1/4 x 5	2 - 13 3/8 x 32 13/16	5 - 5 5/16 x 4 5/16
WACF3624B	2 - 16 15/16 x 16	6 - 5 3/8 x 5	2 - 17 11/16 x 16	6 - 5 3/8 x 5	2 - 16 3/8 x 14 13/16	6 - 5 7/16 x 4 5/16
WACF3630B	2 - 16 15/16 x 22	6 - 5 3/8 x 5	2 - 17 11/16 x 22	6 - 5 3/8 x 5	2 - 16 3/8 x 20 13/16	6 - 5 7/16 x 4 5/16
WACF3633B	2 - 16 15/16 x 25	6 - 5 3/8 x 5	2 - 17 11/16 x 25	6 - 5 3/8 x 5	2 - 16 3/8 x 23 13/16	6 - 5 7/16 x 4 5/16
WACF3636B	2 - 16 15/16 x 28	6 - 5 3/8 x 5	2 - 17 11/16 x 28	6 - 5 3/8 x 5	2 - 16 3/8 x 26 13/16	6 - 5 7/16 x 4 5/16
WACF3639B	2 - 16 15/16 x 31	6 - 5 3/8 x 5	2 - 17 11/16 x 31	6 - 5 3/8 x 5	2 - 16 3/8 x 29 13/16	6 - 5 7/16 x 4 5/16
WACF3642B	2 - 16 15/16 x 34	6 - 5 3/8 x 5	2 - 17 11/16 x 34	6 - 5 3/8 x 5	2 - 16 3/8 x 32 13/16	6 - 5 7/16 x 4 5/16
WB2424 R-L	1 - 10 x 22		1 - 11 1/2 x 22 1/2		1 - 7 13/16 x 20 13/16	
WB2427 R-L	1 - 10 x 25		1 - 11 1/2 x 25 1/2		1 - 7 13/16 x 23 13/16	
WB2430 R-L	1 - 10 x 28		1 - 11 1/2 x 28 1/2		1 - 7 13/16 x 26 13/16	
WB2433 R-L	1 - 10 x 31		1 - 11 1/2 x 31 1/2		1 - 7 13/16 x 29 13/16	
WB2436 R-L	1 - 10 x 34		1 - 11 1/2 x 34 1/2		1 - 7 13/16 x 32 13/16	

Door & Drawer Front Sizes

PREFERRED
BY KARMAN

Cabinet	HALF OVERLAY		FULL OVERLAY		INSET	
	Door	Drawer Front	Door	Drawer Front	Door	Drawer Front
WB2439 R-L	1-10 x 37		1-11½ x 37½		1-7 13/16 x 35 13/16	
WB2442 R-L	1-10 x 40		1-11½ x 40½		1-7 13/16 x 38 13/16	
WB2724 R-L	1-13 x 22		1-14½ x 22½		1-10 13/16 x 20 13/16	
WB2727 R-L	1-13 x 25		1-14½ x 25½		1-10 13/16 x 23 13/16	
WB2730 R-L	1-13 x 28		1-14½ x 28½		1-10 13/16 x 26 13/16	
WB2733 R-L	1-13 x 31		1-14½ x 31½		1-10 13/16 x 29 13/16	
WB2736 R-L	1-13 x 34		1-14½ x 34½		1-10 13/16 x 32 13/16	
WB2739 R-L	1-13 x 37		1-14½ x 37½		1-10 13/16 x 35 13/16	
WB2742 R-L	1-13 x 40		1-14½ x 40½		1-10 13/16 x 38 13/16	
WB3024 R-L	1-16 x 22		1-17½ x 22½		1-13 13/16 x 20 13/16	
WB3027 R-L	1-16 x 25		1-17½ x 25½		1-13 13/16 x 23 13/16	
WB3030 R-L	1-16 x 28		1-17½ x 28½		1-13 13/16 x 26 13/16	
WB3033 R-L	1-16 x 31		1-17½ x 31½		1-13 13/16 x 29 13/16	
WB3036 R-L	1-16 x 34		1-17½ x 34½		1-13 13/16 x 32 13/16	
WB3039 R-L	1-16 x 37		1-17½ x 37½		1-13 13/16 x 35 13/16	
WB3042 R-L	1-16 x 40		1-17½ x 40½		1-13 13/16 x 38 13/16	
WB3324 R-L	1-19 x 22		1-20½ x 22½		1-16 13/16 x 20 13/16	
WB3327 R-L	1-19 x 25		1-20½ x 25½		1-16 13/16 x 23 13/16	
WB3330 R-L	1-19 x 28		1-20½ x 28½		1-16 13/16 x 26 13/16	
WB3333 R-L	1-19 x 31		1-20½ x 31½		1-16 13/16 x 29 13/16	
WB3336 R-L	1-19 x 34		1-20½ x 34½		1-16 13/16 x 32 13/16	
WB3339 R-L	1-19 x 37		1-20½ x 37½		1-16 13/16 x 35 13/16	
WB3342 R-L	1-19 x 40		1-20½ x 40½		1-16 13/16 x 38 13/16	
WB3624 R-L	1-22 x 22		1-23½ x 22½		1-19 13/16 x 20 13/16	
WB3327 R-L	1-22 x 25		1-23½ x 25½		1-19 13/16 x 23 13/16	
WB3330 R-L	1-22 x 28		1-23½ x 28½		1-19 13/16 x 26 13/16	
WB3633 R-L	1-22 x 31		1-23½ x 31½		1-19 13/16 x 29 13/16	
WB3636 R-L	1-22 x 34		1-23½ x 34½		1-19 13/16 x 32 13/16	
WB3639 R-L	1-22 x 37		1-23½ x 37½		1-19 13/16 x 35 13/16	
WB3642 R-L	1-22 x 40		1-23½ x 40½		1-19 13/16 x 38 13/16	
WB3624B R-L	2-10 15/16 x 22		2-11 11/16 x 22½		2-9 7/8 x 20 13/16	
WB3627B R-L	2-10 15/16 x 25		2-11 11/16 x 25½		2-9 7/8 x 23 13/16	
WB3630B R-L	2-10 15/16 x 28		2-11 11/16 x 28½		2-9 7/8 x 26 13/16	
WB3633B R-L	2-10 15/16 x 31		2-11 11/16 x 31½		2-9 7/8 x 29 13/16	
WB3636B R-L	2-10 15/16 x 34		2-11 11/16 x 34½		2-9 7/8 x 32 13/16	
WB3639B R-L	2-10 15/16 x 37		2-11 11/16 x 37½		2-9 7/8 x 35 13/16	
WB3642B R-L	2-10 15/16 x 40		2-11 11/16 x 40½		2-9 7/8 x 38 13/16	
WB3924B R-L	2-12 7/16 x 22		2-13 3/16 x 22½		2-11 3/8 x 20 13/16	
WB3927B R-L	2-12 7/16 x 25		2-13 3/16 x 25½		2-11 3/8 x 23 13/16	
WB3930B R-L	2-12 7/16 x 28		2-13 3/16 x 28½		2-11 3/8 x 26 13/16	
WB3933B R-L	2-12 7/16 x 31		2-13 3/16 x 31½		2-11 3/8 x 29 13/16	
WB3936B R-L	2-12 7/16 x 34		2-13 3/16 x 34½		2-11 3/8 x 32 13/16	
WB3939B R-L	2-12 7/16 x 37		2-13 3/16 x 37½		2-11 3/8 x 35 13/16	
WB3942B R-L	2-12 7/16 x 40		2-13 3/16 x 40½		2-11 3/8 x 38 13/16	
WB4224B R-L	2-13 15/16 x 22		2-14 11/16 x 22½		2-12 7/8 x 20 13/16	
WB4227B -R-L	2-13 15/16 x 25		2-14 11/16 x 25½		2-12 7/8 x 23 13/16	
WB4230B R-L	2-13 15/16 x 28		2-14 11/16 x 28½		2-12 7/8 x 26 13/16	

Door & Drawer Front Sizes

Cabinet	HALF OVERLAY		FULL OVERLAY		INSET	
	Door	Drawer Front	Door	Drawer Front	Door	Drawer Front
WB4233B R-L	2 - 13 15/16 x 31		2 - 14 11/16 x 31½		2 - 12 7/8 x 29 13/16	
WB4236B R-L	2 - 13 15/16 x 34		2 - 14 11/16 x 34½		2 - 12 7/8 x 32 13/16	
WB4239B R-L	2 - 13 15/16 x 37		2 - 14 11/16 x 37½		2 - 12 7/8 x 35 13/16	
WB4242B R-L	2 - 13 15/16 x 40		2 - 14 11/16 x 40½		2 - 12 7/8 x 38 13/16	
WB4524B R-L	2 - 15 7/16 x 22		2 - 16 3/16 x 22½		2 - 13 3/8 x 20 13/16	
WB4527B R-L	2 - 15 7/16 x 25		2 - 16 3/16 x 25½		2 - 13 3/8 x 23 13/16	
WB4530B R-L	2 - 15 7/16 x 28		2 - 16 3/16 x 28½		2 - 13 3/8 x 26 13/16	
WB4533B R-L	2 - 15 7/16 x 31		2 - 16 3/16 x 31½		2 - 13 3/8 x 29 13/16	
WB4536B R-L	2 - 15 7/16 x 34		2 - 16 3/16 x 34½		2 - 13 3/8 x 32 13/16	
WB4539B R-L	2 - 15 7/16 x 37		2 - 16 3/16 x 37½		2 - 13 3/8 x 35 13/16	
WB4542B R-L	2 - 15 7/16 x 40		2 - 16 3/16 x 40½		2 - 13 3/8 x 38 13/16	
WB4824B R-L	2 - 16 15/16 x 22		2 - 17 11/16 x 22½		2 - 15 7/8 x 20 13/16	
WB4827B R-L	2 - 16 15/16 x 25		2 - 17 11/16 x 25½		2 - 15 7/8 x 23 13/16	
WB4830B R-L	2 - 16 15/16 x 28		2 - 17 11/16 x 28½		2 - 15 7/8 x 26 13/16	
WB4833B R-L	2 - 16 15/16 x 31		2 - 17 11/16 x 31½		2 - 15 7/8 x 29 13/16	
WB4836B R-L	2 - 16 15/16 x 34		2 - 17 11/16 x 34½		2 - 15 7/8 x 32 13/16	
WB4839B R-L	2 - 16 15/16 x 37		2 - 17 11/16 x 37½		2 - 15 7/8 x 35 13/16	
WB4842B R-L	2 - 16 15/16 x 40		2 - 17 11/16 x 40½		2 - 15 7/8 x 38 13/16	
WDLO3024B	2 - 13 15/16 x 15½		2 - 14 11/16 x 16		2 - 13 3/8 x 14 5/16	
WDLO3030B	2 - 13 15/16 x 21½		2 - 14 11/16 x 22		2 - 13 3/8 x 20 5/16	
WDLO3624B	2 - 16 15/16 x 15½		2 - 17 11/16 x 16		2 - 16 3/8 x 14 5/16	
WDLO3630B	2 - 16 15/16 x 21½		2 - 17 11/16 x 22		2 - 16 3/8 x 20 5/16	
WEA2424 R-L	1 - 14½ x 22		1 - 16 x 22½		1 - 14 11/16 x 20 13/16	
	1 - 10 x 22		1 - 11½ x 22½		1 - 7 13/16 x 20 13/16	
WEA2427 R-L	1 - 14½ x 25		1 - 17 11/16 x 25½		1 - 14 11/16 x 23 13/16	
	1 - 10 x 25		1 - 11½ x 25½		1 - 7 13/16 x 23 13/16	
WEA2430 R-L	1 - 14½ x 28		1 - 16 x 28½		1 - 14 11/16 x 26 13/16	
	1 - 10 x 28		1 - 11½ x 28½		1 - 7 13/16 x 26 13/16	
WEA2433 R-L	1 - 14½ x 31		1 - 16 x 31½		1 - 14 11/16 x 29 13/16	
	1 - 10 x 31		1 - 11½ x 31½		1 - 7 13/16 x 29 13/16	
WEA2436 R-L	1 - 14½ x 34		1 - 16 x 34½		1 - 14 11/16 x 32 13/16	
	1 - 10 x 34		1 - 11½ x 34½		1 - 7 13/16 x 32 13/16	
WEA2439 R-L	1 - 14½ x 37		1 - 16 x 37½		1 - 14 11/16 x 35 13/16	
	1 - 10 x 37		1 - 11½ x 37½		1 - 7 13/16 x 35 13/16	
WEA2442 R-L	1 - 14½ x 40		1 - 16 x 40½		1 - 14 11/16 x 38 13/16	
	1 - 10 x 40		1 - 11½ x 40½		1 - 7 13/16 x 38 13/16	
WEA2724 R-L	1 - 14½ x 22		1 - 16 x 22½		1 - 14 11/16 x 20 13/16	
	1 - 13 x 22		1 - 14½ x 22½		1 - 10 13/16 x 20 13/16	
WEA2727 R-L	1 - 14½ x 25		1 - 16 x 25½		1 - 14 11/16 x 23 13/16	
	1 - 13 x 25		1 - 14½ x 25½		1 - 10 13/16 x 23 13/16	
WEA2730 R-L	1 - 14½ x 28		1 - 16 x 28½		1 - 14 11/16 x 26 13/16	
	1 - 13 x 28		1 - 14½ x 28½		1 - 10 13/16 x 26 13/16	
WEA2733 R-L	1 - 14½ x 31		1 - 16 x 31½		1 - 14 11/16 x 29 13/16	
	1 - 13 x 31		1 - 14½ x 31½		1 - 10 13/16 x 29 13/16	
WEA2736 R-L	1 - 14½ x 34		1 - 16 x 34½		1 - 14 11/16 x 32 13/16	
	1 - 13 x 34		1 - 14½ x 34½		1 - 10 13/16 x 32 13/16	
WEA2739 R-L	1 - 14½ x 37		1 - 16 x 37½		1 - 14 11/16 x 35 13/16	

Door & Drawer Front Sizes

PREFERRED
BY KARMAN

Cabinet	HALF OVERLAY		FULL OVERLAY		INSET	
	Door	Drawer Front	Door	Drawer Front	Door	Drawer Front
	1-13x37		1-14½x37½		1-10 13/16 x 35 13/16	
WEA2742 R-L	1-14½x40		1-16x40½		1-14 11/16 x 38 13/16	
	1-13x40		1-14½x40½		1-10 13/16 x 38 13/16	
WEA3024 R-L	1-14½x22		1-16x22½		1-14 11/16 x 20 13/16	
	1-16x22		1-17½x22½		1-13 13/16 x 20 13/16	
WEA3027 R-L	1-14½x25		1-16x25½		1-14 11/16 x 23 13/16	
	1-16x25		1-17½x25½		1-13 13/16 x 23 13/16	
WEA3030 R-L	1-14½x28		1-16x28½		1-14 11/16 x 26 13/16	
	1-16x28		1-17½x28½		1-13 13/16 x 26 13/16	
WEA3033 R-L	1-14½x31		1-16x31½		1-14 11/16 x 29 13/16	
	1-16x31		1-17½x31½		1-13 13/16 x 29 13/16	
WEA3036 R-L	1-14½x34		1-16x34½		1-14 11/16 x 32 13/16	
	1-16x34		1-17½x34½		1-13 13/16 x 32 13/16	
WEA3039 R-L	1-14½x37		1-16x37½		1-14 11/16 x 35 13/16	
	1-16x37		1-17½x37½		1-13 13/16 x 35 13/16	
WEA3042 R-L	1-14½x40		1-16x40½		1-14 11/16 x 38 13/16	
	1-16x40		1-17½x40½		1-13 13/16 x 38 13/16	
WEA3324 R-L	1-14½x22		1-16x22½		1-14 11/16 x 20 13/16	
	1-19x22		1-20½x22½		1-16 13/16 x 20 13/16	
WEA3327 R-L	1-14½x25		1-16x25½		1-14 11/16 x 23 13/16	
	1-19x25		1-20½x25½		1-16 13/16 x 23 13/16	
WEA3330 R-L	1-14½x28		1-16x28½		1-14 11/16 x 26 13/16	
	1-19x28		1-20½x28½		1-16 13/16 x 26 13/16	
WEA3333 R-L	1-14½x31		1-16x31½		1-14 11/16 x 29 13/16	
	1-19x31		1-20½x31½		1-16 13/16 x 29 13/16	
WEA3336 R-L	1-14½x34		1-16x34½		1-14 11/16 x 32 13/16	
	1-19x34		1-20½x34½		1-16 13/16 x 32 13/16	
WEA3339 R-L	1-14½x37		1-16x37½		1-14 11/16 x 35 13/16	
	1-19x37		1-20½x37½		1-16 13/16 x 35 13/16	
WEA3342 R-L	1-14½x40		1-16x40½		1-14 11/16 x 38 13/16	
	1-19x40		1-20½x40½		1-16 13/16 x 38 13/16	
WEA3624 R-L	1-14½x22		1-16x22½		1-14 11/16 x 20 13/16	
	1-22x22		1-23½x22½		1-19 13/16 x 20 13/16	
WEA3627 R-L	1-14½x25		1-16x25½		1-14 11/16 x 23 13/16	
	1-22x25		1-20½x25½		1-19 13/16 x 23 13/16	
WEA3630 R-L	1-14½x28		1-16x28½		1-14 11/16 x 26 13/16	
	1-22x28		1-23½x28½		1-19 13/16 x 26 13/16	
WEA3633 R-L	1-14½x31		1-16x31½		1-14 11/16 x 29 13/16	
	1-22x31		1-23½x31½		1-19 13/16 x 29 13/16	
WEA3636 R-L	1-14½x34		1-16x34½		1-14 11/16 x 32 13/16	
	1-22x34		1-23½x34½		1-19 13/16 x 32 13/16	
WEA3639 R-L	1-14½x37		1-16x37½		1-14 11/16 x 35 13/16	
	1-22x37		1-23½x37½		1-19 13/16 x 35 13/16	
WEA3642 R-L	1-14½x40		1-16x40½		1-14 11/16 x 38 13/16	
	1-22x40		1-23½x40½		1-19 13/16 x 38 13/16	
WEA3624 BR-L	2-10 15/16 x 22		2-11 11/16 x 22½		2-9 7/8 x 20 13/16	
	1-14½x22		1-16x22½		1-14 11/16 x 20 13/16	

Door & Drawer Front Sizes

Cabinet	HALF OVERLAY		FULL OVERLAY		INSET	
	Door	Drawer Front	Door	Drawer Front	Door	Drawer Front
WEA3627B R-L	2 - 10 15/16 x 25		2 - 11 11/16 x 25 1/2		2 - 9 7/8 x 23 13/16	
	1 - 14 1/2 x 25		1 - 16 x 25 1/2		1 - 14 11/16 x 23 13/16	
WEA3630B R-L	2 - 10 15/16 x 28		2 - 11 11/16 x 28 1/2		2 - 9 7/8 x 26 13/16	
	1 - 14 1/2 x 28		1 - 16 x 28 1/2		1 - 14 11/16 x 26 13/16	
WEA3633B R-L	2 - 10 15/16 x 31		2 - 11 11/16 x 31 1/2		2 - 9 7/8 x 29 13/16	
	1 - 14 1/2 x 31		1 - 16 x 31 1/2		1 - 14 11/16 x 29 13/16	
WEA3636B R-L	2 - 10 15/16 x 34		2 - 11 11/16 x 34 1/2		2 - 9 7/8 x 32 13/16	
	1 - 14 1/2 x 34		1 - 16 x 34 1/2		1 - 14 11/16 x 32 13/16	
WEA3639B R-L	2 - 10 15/16 x 37		2 - 11 11/16 x 37 1/2		2 - 9 7/8 x 35 13/16	
	1 - 14 1/2 x 37		1 - 16 x 37 1/2		1 - 14 11/16 x 35 13/16	
WEA3642B R-L	2 - 10 15/16 x 40		2 - 11 11/16 x 40 1/2		2 - 9 7/8 x 38 13/16	
	1 - 14 1/2 x 40		1 - 16 x 40 1/2		1 - 14 11/16 x 38 13/16	
WEA3924B R-L	2 - 12 7/16 x 22		2 - 13 3/16 x 22 1/2		2 - 11 3/8 x 20 13/16	
	1 - 14 1/2 x 22		1 - 16 x 22 1/2		1 - 14 11/16 x 20 13/16	
WEA3927B R-L	2 - 12 7/16 x 25		2 - 13 3/16 x 25 1/2		2 - 11 3/8 x 23 13/16	
	1 - 14 1/2 x 25		1 - 16 x 25 1/2		1 - 14 11/16 x 23 13/16	
WEA3930B R-L	2 - 12 7/16 x 28		2 - 13 3/16 x 28 1/2		2 - 11 3/8 x 26 13/16	
	1 - 14 1/2 x 28		1 - 16 x 28 1/2		1 - 14 11/16 x 26 13/16	
WEA3933B R-L	2 - 12 7/16 x 31		2 - 13 3/16 x 31 1/2		2 - 11 3/8 x 29 13/16	
	1 - 14 1/2 x 31		1 - 16 x 31 1/2		1 - 14 11/16 x 29 13/16	
WEA3936B R-L	2 - 12 7/16 x 34		2 - 13 3/16 x 34 1/2		2 - 11 3/8 x 32 13/16	
	1 - 14 1/2 x 34		1 - 16 x 34 1/2		1 - 14 11/16 x 32 13/16	
WEA3939B R-L	2 - 12 7/16 x 37		2 - 13 3/16 x 37 1/2		2 - 11 3/8 x 35 13/16	
	1 - 14 1/2 x 37		1 - 16 x 37 1/2		1 - 14 11/16 x 35 13/16	
WEA3942B R-L	2 - 12 7/16 x 40		2 - 13 3/16 x 40 1/2		2 - 11 3/8 x 38 13/16	
	1 - 14 1/2 x 40		1 - 16 x 40 1/2		1 - 14 11/16 x 38 13/16	
WEA4224B R-L	2 - 13 15/16 x 22		2 - 14 11/16 x 22 1/2		2 - 12 7/8 x 20 13/16	
	1 - 14 1/2 x 22		1 - 16 x 22 1/2		1 - 14 11/16 x 20 13/16	
WEA4227B R-L	2 - 13 15/16 x 25		2 - 14 11/16 x 25 1/2		2 - 12 7/8 x 23 13/16	
	1 - 14 1/2 x 25		1 - 16 x 25 1/2		1 - 14 11/16 x 23 13/16	
WEA4230B R-L	2 - 13 15/16 x 28		2 - 14 11/16 x 28 1/2		2 - 12 7/8 x 26 13/16	
	1 - 14 1/2 x 28		1 - 16 x 28 1/2		1 - 14 11/16 x 26 13/16	
WEA4233B R-L	2 - 13 15/16 x 31		2 - 14 11/16 x 31 1/2		2 - 12 7/8 x 29 13/16	
	1 - 14 1/2 x 31		1 - 16 x 31 1/2		1 - 14 11/16 x 29 13/16	
WEA4236B R-L	2 - 13 15/16 x 34		2 - 14 11/16 x 34 1/2		2 - 12 7/8 x 32 13/16	
	1 - 14 1/2 x 34		1 - 16 x 34 1/2		1 - 14 11/16 x 32 13/16	
WEA4239B R-L	2 - 13 15/16 x 37		2 - 14 11/16 x 37 1/2		2 - 12 7/8 x 35 13/16	
	1 - 14 1/2 x 37		1 - 16 x 37 1/2		1 - 14 11/16 x 35 13/16	
WEA4242B R-L	2 - 13 15/16 x 40		2 - 14 11/16 x 40 1/2		2 - 12 7/8 x 38 13/16	
	1 - 14 1/2 x 40		1 - 16 x 40 1/2		1 - 14 11/16 x 38 13/16	
WEA4524B R-L	2 - 15 7/16 x 22		2 - 16 3/16 x 22 1/2		2 - 14 3/8 x 20 13/16	
	1 - 14 1/2 x 22		1 - 16 x 22 1/2		1 - 14 11/16 x 20 13/16	
WEA4527B R-L	2 - 15 7/16 x 25		2 - 16 3/16 x 25 1/2		2 - 14 3/8 x 23 13/16	
	1 - 14 1/2 x 25		1 - 16 x 25 1/2		1 - 14 11/16 x 23 13/16	
WEA4530B R-L	2 - 15 7/16 x 28		2 - 16 3/16 x 28 1/2		2 - 14 3/8 x 26 13/16	
	1 - 14 1/2 x 28		1 - 16 x 28 1/2		1 - 14 11/16 x 26 13/16	

Door & Drawer Front Sizes

PREFERRED
BY KARMAN

Cabinet	HALF OVERLAY		FULL OVERLAY		INSET	
	Door	Drawer Front	Door	Drawer Front	Door	Drawer Front
WEA4533BR-L	2- 15 7/16 x 31 1- 14 1/2 x 31		2- 16 3/16 x 31 1/2 1- 16 x 31 1/2		2- 14 3/8 x 29 13/16 1- 14 11/16 x 29 13/16	
WEA4536BR-L	2- 15 7/16 x 34 1- 14 1/2 x 34		2- 16 3/16 x 34 1/2 1- 16 x 34 1/2		2- 14 3/8 x 32 13/16 1- 14 11/16 x 32 13/16	
WEA4539BR-L	2- 15 7/16 x 37 1- 14 1/2 x 37		2- 16 3/16 x 37 1/2 1- 16 x 37 1/2		2- 14 3/8 x 35 13/16 1- 14 11/16 x 35 13/16	
WEA4542BR-L	2- 15 7/16 x 40 1- 14 1/2 x 40		2- 16 3/16 x 40 1/2 1- 16 x 40 1/2		2- 14 3/8 x 38 13/16 1- 14 11/16 x 38 13/16	
WEA4824BR-L	2- 16 15/16 x 22 1- 14 1/2 x 22		2- 17 11/16 x 22 1/2 1- 16 x 22 1/2		2- 15 7/8 x 20 13/16 1- 14 11/16 x 20 13/16	
WEA4827BR-L	2- 16 15/16 x 25 1- 14 1/2 x 25		2- 17 11/16 x 25 1/2 1- 16 x 25 1/2		2- 15 7/8 x 23 13/16 1- 14 11/16 x 23 13/16	
WEA4830BR-L	2- 16 15/16 x 28 1- 14 1/2 x 28		2- 17 11/16 x 28 1/2 1- 16 x 28 1/2		2- 15 7/8 x 26 13/16 1- 14 11/16 x 26 13/16	
WEA4833BR-L	2- 16 15/16 x 31 1- 14 1/2 x 31		2- 17 11/16 x 31 1/2 1- 16 x 31 1/2		2- 15 7/8 x 29 13/16 1- 14 11/16 x 29 13/16	
WEA4836BR-L	2- 16 15/16 x 34 1- 14 1/2 x 34		2- 17 11/16 x 34 1/2 1- 16 x 34 1/2		2- 15 7/8 x 32 13/16 1- 14 11/16 x 32 13/16	
WEA4839BR-L	2- 16 15/16 x 37 1- 14 1/2 x 37		2- 17 11/16 x 37 1/2 1- 16 x 37 1/2		2- 15 7/8 x 35 13/16 1- 14 11/16 x 35 13/16	
WEA4842BR-L	2- 16 15/16 x 40 1- 14 1/2 x 40		2- 17 11/16 x 40 1/2 1- 16 x 40 1/2		2- 15 7/8 x 38 13/16 1- 14 11/16 x 38 13/16	
WEC1230	2- 7 x 28		2- 8 1/2 x 28 1/2		2- 6 7/16 x 26 13/16	
WEC1233	2- 7 x 31		2- 8 1/2 x 31 1/2		2- 6 7/16 x 29 13/16	
WEC1236	2- 7 x 34		2- 8 1/2 x 34 1/2		2- 6 7/16 x 32 13/16	
WEC1239	2- 7 x 37		2- 8 1/2 x 37 1/2		2- 6 7/16 x 35 13/16	
WEC1242	2- 7 x 40		2- 8 1/2 x 40 1/2		2- 6 7/16 x 38 13/16	
WED1224 R-L	1- 14 x 22		1- 15 1/2 x 22 1/2		1- 13 15/16 x 20 13/16	
WED1227 R-L	1- 14 x 25		1- 15 1/2 x 25 1/2		1- 13 15/16 x 23 13/16	
WED1230 R-L	1- 14 x 28		1- 15 1/2 x 28 1/2		1- 13 15/16 x 26 13/16	
WED1233 R-L	1- 14 x 31		1- 15 1/2 x 31 1/2		1- 13 15/16 x 29 13/16	
WED1236 R-L	1- 14 x 34		1- 15 1/2 x 34 1/2		1- 13 15/16 x 32 13/16	
WED1239 R-L	1- 14 x 37		1- 15 1/2 x 37 1/2		1- 13 15/16 x 35 13/16	
WED1242 R-L	1- 14 x 40		1- 15 1/2 x 40 1/2		1- 13 15/16 x 38 13/16	
WMC1524 R-L	1- 13 x 22		1- 14 1/2 x 22 1/2		1- 11 13/16 x 20 13/16	
WMC1530 R-L	1- 13 x 28		1- 14 1/2 x 28 1/2		1- 11 13/16 x 26 13/16	
WMC1536 R-L	1- 13 x 34		1- 14 1/2 x 34 1/2		1- 11 13/16 x 32 13/16	
WPO930	1- 7 x 28		1- 8 1/2 x 28 1/2		1- 5 13/16 x 26 13/16	
WPO933	1- 7 x 31		1- 8 1/2 x 31 1/2		1- 5 13/16 x 29 13/16	
WPO936	1- 7 x 34		1- 8 1/2 x 34 1/2		1- 5 13/16 x 32 13/16	
WPO939	1- 7 x 37		1- 8 1/2 x 37 1/2		1- 5 13/16 x 35 13/16	
WPO942	1- 7 x 40		1- 8 1/2 x 40 1/2		1- 5 13/16 x 38 13/16	
WP1230	1- 10 x 28		1- 11 1/2 x 28 1/2		1- 8 13/16 x 26 13/16	
WP1233	1- 10 x 31		1- 11 1/2 x 31 1/2		1- 8 13/16 x 29 13/16	
WP1236	1- 10 x 34		1- 11 1/2 x 34 1/2		1- 8 13/16 x 32 13/16	
WP1239	1- 10 x 37		1- 11 1/2 x 37 1/2		1- 8 13/16 x 35 13/16	
WP1242	1- 10 x 40		1- 11 1/2 x 40 1/2		1- 8 13/16 x 38 13/16	

Door & Drawer Front Sizes

Cabinet	HALF OVERLAY		FULL OVERLAY		INSET	
	Door	Drawer Front	Door	Drawer Front	Door	Drawer Front
WPRC1830 R-L	1-16 x 11½		1-17½ x 12		1-14 13/16 x 10 5/16	
WPRC1833 R-L	1-16 x 14½		1-17½ x 15		1-14 13/16 x 13 5/16	
WPRC1836 R-L	1-16 x 17½		1-17½ x 18		1-14 13/16 x 16 5/16	
WPRC1839 R-L	1-16 x 20½		1-17½ x 21		1-14 13/16 x 19 5/16	
WPRC1842 R-L	1-16 x 23½		1-17½ x 24		1-14 13/16 x 22 5/16	
WPRC2130 R-L	1-19 x 11½		1-20½ x 12		1-17 13/16 x 10 5/16	
WPRC2133 R-L	1-19 x 14½		1-20½ x 15		1-17 13/16 x 13 5/16	
WPRC2136 R-L	1-19 x 17½		1-20½ x 18		1-17 13/16 x 16 5/16	
WPRC2139 R-L	1-19 x 20½		1-20½ x 21		1-17 13/16 x 19 5/16	
WPRC2142 R-L	1-19 x 23½		1-20½ x 24		1-17 13/16 x 22 5/16	
WPRC2430 R-L	1-22 x 11½		1-23½ x 12		1-20 13/16 x 10 5/16	
WPRC2433 R-L	1-22 x 14½		1-23½ x 15		1-20 13/16 x 13 5/16	
WPRC2436 R-L	1-22 x 17½		1-23½ x 18		1-20 13/16 x 16 5/16	
WPRC2439 R-L	1-22 x 20½		1-23½ x 21		1-20 13/16 x 19 5/16	
WPRC2442 R-L	1-22 x 23½		1-23½ x 24		1-20 13/16 x 22 5/16	
WPRC2430B	2-10 15/16 x 11½		2-11 11/16 x 12		2-10 3/8 x 10 5/16	
WPRC2433B	2-10 15/16 x 14½		2-11 11/16 x 15		2-10 3/8 x 13 5/16	
WPRC2436B	2-10 15/16 x 17½		2-11 11/16 x 18		2-10 3/8 x 16 5/16	
WPRC2439B	2-10 15/16 x 20½		2-11 11/16 x 21		2-10 3/8 x 19 5/16	
WPRC2442B	2-10 15/16 x 23½		2-11 11/16 x 24		2-10 3/8 x 22 5/16	
WPRC3030B	2-13 15/16 x 11½		2-14 11/16 x 12		2-13 3/8 x 10 5/16	
WPRC3033 B	2-13 15/16 x 14½		2-14 11/16 x 15		2-13 3/8 x 13 5/16	
WPRC3036B	2-13 15/16 x 17½		2-14 11/16 x 18		2-13 3/8 x 16 5/16	
WPRC3039B	2-13 15/16 x 20½		2-14 11/16 x 21		2-13 3/8 x 19 5/16	
WPRC3042B	2-13 15/16 x 23½		2-14 11/16 x 24		2-13 3/8 x 22 5/16	
WPRC3630B	2-16 15/16 x 11½		2-17 11/16 x 12		2-16 3/8 x 10 5/16	
WPRC3633B	2-16 15/16 x 14½		2-17 11/16 x 15		2-16 3/8 x 13 5/16	
WPRC3636B	2-16 15/16 x 17½		2-17 11/16 x 18		2-16 3/8 x 16 5/16	
WPRC3639B	2-16 15/16 x 20½		2-17 11/16 x 21		2-16 3/8 x 19 5/16	
WPRC3642B	2-16 15/16 x 23½		2-17 11/16 x 24		2-16 3/8 x 22 5/16	
WSAC1848 R-L	1-16 x 28		1-17½ x 28½		1-14 13/16 x 26 13/16	
WSAC1851 R-L	1-16 x 31		1-17½ x 31½		1-14 13/16 x 29 13/16	
WSAC1854 R-L	1-16 x 34		1-17½ x 34½		1-14 13/16 x 32 13/16	
WSAC1857 R-L	1-16 x 37		1-17½ x 37½		1-14 13/16 x 35 13/16	
WSAC1860 R-L	1-16 x 40		1-17½ x 40½		1-14 13/16 x 38 13/16	
WSAC2448 R-L	1-22 x 28		1-23½ x 28½		1-20 13/16 x 26 13/16	
WSAC2451 R-L	1-22 x 31		1-23½ x 31½		1-20 13/16 x 29 13/16	
WSAC2454 R-L	1-22 x 34		1-23½ x 34½		1-20 13/16 x 32 13/16	
WSAC2457 R-L	1-22 x 37		1-23½ x 37½		1-20 13/16 x 35 13/16	
WSAC2460 R-L	1-22 x 40		1-23½ x 40½		1-20 13/16 x 38 13/16	
WSAC2448B	2-10 15/16 x 28		2-11 11/16 x 28½		2-10 3/8 x 26 13/16	
WSAC2451B	2-10 15/16 x 31		2-11 11/16 x 31½		2-10 3/8 x 29 13/16	
WSAC2454 B	2-10 15/16 x 34		2-11 11/16 x 34½		2-10 3/8 x 32 13/16	
WSAC2457 B	2-10 15/16 x 37		2-11 11/16 x 37½		2-10 3/8 x 35 13/16	
WSAC2460 B	2-10 15/16 x 40		2-11 11/16 x 40½		2-10 3/8 x 38 13/16	
WSAC3048B	2-13 15/16 x 28		2-14 11/16 x 28½		2-13 3/8 x 26 13/16	
WSAC3051B	2-13 15/16 x 31		2-14 11/16 x 31½		2-13 3/8 x 29 13/16	

Door & Drawer Front Sizes

PREFERRED
BY KARMAN

Cabinet	HALF OVERLAY		FULL OVERLAY		INSET	
	Door	Drawer Front	Door	Drawer Front	Door	Drawer Front
WSAC3054B	2-13 15/16 x 34		2-14 11/16 x 34 1/2		2-13 3/8 x 32 13/16	
WSAC3057B	2-13 15/16 x 37		2-14 11/16 x 37 1/2		2-13 3/8 x 35 13/16	
WSAC3060B	2-13 15/16 x 40		2-14 11/16 x 40 1/2		2-13 3/8 x 38 13/16	
WSAC3648B	2-16 15/16 x 28		2-17 11/16 x 28 1/2		2-16 3/8 x 26 13/16	
WSAC3651B	2-16 15/16 x 31		2-17 11/16 x 31 1/2		2-16 3/8 x 29 13/16	
WSAC3654B	2-16 15/16 x 34		2-17 11/16 x 34 1/2		2-16 3/8 x 32 13/16	
WSAC3657B	2-16 15/16 x 37		2-17 11/16 x 37 1/2		2-16 3/8 x 35 13/16	
WSAC3660B	2-16 15/16 x 40		2-17 11/16 x 40 1/2		2-16 3/8 x 38 13/16	
WSACD1848 R-L	1-16 x 28		1-17 1/2 x 28 1/2		1-14 13/16 x 26 13/16	
	1-16 x 177/8		1-17 1/2 x 177/8		1-14 13/16 x 17 5/16	
WSACD1851 R-L	1-16 x 31		1-17 1/2 x 31 1/2		1-14 13/16 x 29 13/16	
	1-16 x 177/8		1-17 1/2 x 177/8		1-14 13/16 x 17 5/16	
WSACD1854 R-L	1-16 x 34		1-17 1/2 x 34 1/2		1-14 13/16 x 32 13/16	
	1-16 x 177/8		1-17 1/2 x 177/8		1-14 13/16 x 17 5/16	
WSACD1857 R-L	1-16 x 37		1-17 1/2 x 37 1/2		1-14 13/16 x 35 13/16	
	1-16 x 177/8		1-17 1/2 x 177/8		1-14 13/16 x 17 5/16	
WSACD1860 R-L	1-16 x 40		1-17 1/2 x 40 1/2		1-14 13/16 x 38 13/16	
	1-16 x 177/8		1-17 1/2 x 177/8		1-14 13/16 x 17 5/16	
WSACD2448 R-L	1-22 x 28		1-23 1/2 x 28 1/2		1-20 13/16 x 26 13/16	
	1-22 x 177/8		1-23 1/2 x 177/8		1-20 13/16 x 17 5/16	
WSACD2451 R-L	1-22 x 31		1-23 1/2 x 31 1/2		1-20 13/16 x 29 13/16	
	1-22 x 177/8		1-23 1/2 x 177/8		1-20 13/16 x 17 5/16	
WSACD2454 R-L	1-22 x 34		1-23 1/2 x 34 1/2		1-20 13/16 x 32 13/16	
	1-22 x 177/8		1-23 1/2 x 177/8		1-20 13/16 x 17 5/16	
WSACD2457 R-L	1-22 x 37		1-23 1/2 x 37 1/2		1-20 13/16 x 35 13/16	
	1-22 x 177/8		1-23 1/2 x 177/8		1-20 13/16 x 17 5/16	
WSACD2460 R-L	1-22 x 40		1-23 1/2 x 40 1/2		1-20 13/16 x 38 13/16	
	1-22 x 177/8		1-23 1/2 x 177/8		1-20 13/16 x 17 5/16	
WSACD2448B	2-10 15/16 x 28		2-11 11/16 x 28 1/2		2-10 3/8 x 26 13/16	
	2-10 15/16 x 177/8		2-11 11/16 x 177/8		2-10 3/8 x 17 5/16	
WSACD2451B	2-10 15/16 x 31		2-11 11/16 x 31 1/2		2-10 3/8 x 29 13/16	
	2-10 15/16 x 177/8		2-11 11/16 x 177/8		2-10 3/8 x 17 5/16	
WSACD2454B	2-10 15/16 x 34		2-11 11/16 x 34 1/2		2-10 3/8 x 32 13/16	
	2-10 15/16 x 177/8		2-11 11/16 x 177/8		2-10 3/8 x 17 5/16	
WSACD2457B	2-10 15/16 x 37		2-11 11/16 x 37 1/2		2-10 3/8 x 35 13/16	
	2-10 15/16 x 177/8		2-11 11/16 x 177/8		2-10 3/8 x 17 5/16	
WSACD2460B	2-10 15/16 x 40		2-11 11/16 x 40 1/2		2-10 3/8 x 38 13/16	
	2-10 15/16 x 177/8		2-11 11/16 x 177/8		2-10 3/8 x 17 5/16	
WSACD3048B	2-13 15/16 x 28		2-14 11/16 x 28 1/2		2-13 3/8 x 26 13/16	
	2-13 15/16 x 177/8		2-14 11/16 x 177/8		2-13 3/8 x 17 5/16	
WSACD3051B	2-13 15/16 x 31		2-14 11/16 x 31 1/2		2-13 3/8 x 29 13/16	
	2-13 15/16 x 177/8		2-14 11/16 x 177/8		2-13 3/8 x 17 5/16	
WSACD3054B	2-13 15/16 x 34		2-14 11/16 x 34 1/2		2-13 3/8 x 32 13/16	
	2-13 15/16 x 177/8		2-14 11/16 x 177/8		2-13 3/8 x 17 5/16	
WSACD3057B	2-13 15/16 x 37		2-14 11/16 x 37 1/2		2-13 3/8 x 35 13/16	
	2-13 15/16 x 177/8		2-14 11/16 x 177/8		2-13 3/8 x 17 5/16	

Door & Drawer Front Sizes

Cabinet	HALF OVERLAY		FULL OVERLAY		INSET	
	Door	Drawer Front	Door	Drawer Front	Door	Drawer Front
WSACD3060B	2 - 13 15/16 x 40		2 - 14 11/16 x 40 1/2		2 - 13 3/8 x 38 13/16	
	2 - 13 15/16 x 17 7/8		2 - 14 11/16 x 17 7/8		2 - 13 3/8 x 17 5/16	
WSACD3648B	2 - 16 15/16 x 28		2 - 17 11/16 x 28 1/2		2 - 16 3/8 x 26 13/16	
	2 - 16 15/16 x 17 7/8		2 - 17 11/16 x 17 7/8		2 - 16 3/8 x 17 5/16	
WSACD3651B	2 - 16 15/16 x 31		2 - 17 11/16 x 31 1/2		2 - 16 3/8 x 29 13/16	
	2 - 16 15/16 x 17 7/8		2 - 17 11/16 x 17 7/8		2 - 16 3/8 x 17 5/16	
WSACD3654B	2 - 16 15/16 x 34		2 - 17 11/16 x 34 1/2		2 - 16 3/8 x 32 13/16	
	2 - 16 15/16 x 17 7/8		2 - 17 11/16 x 17 7/8		2 - 16 3/8 x 17 5/16	
WSACD3657B	2 - 16 15/16 x 37		2 - 17 11/16 x 37 1/2		2 - 16 3/8 x 35 13/16	
	2 - 16 15/16 x 17 7/8		2 - 17 11/16 x 17 7/8		2 - 16 3/8 x 17 5/16	
WSACD3660B	2 - 16 15/16 x 40		2 - 17 11/16 x 40 1/2		2 - 16 3/8 x 38 13/16	
	2 - 16 15/16 x 17 7/8		2 - 17 11/16 x 17 7/8		2 - 16 3/8 x 17 5/16	
WTH1815	1 - 16 x 13		1 - 17 1/2 x 13 1/2		1 - 14 13/16 x 11 13/16	
WTH1818	1 - 16 x 16		1 - 17 1/2 x 16 1/2		1 - 14 13/16 x 14 13/16	
WTH1821	1 - 16 x 19		1 - 17 1/2 x 19 1/2		1 - 14 13/16 x 17 13/16	
WTH1824	1 - 16 x 22		1 - 17 1/2 x 22 1/2		1 - 14 13/16 x 20 13/16	
WTH1827	1 - 16 x 25		1 - 17 1/2 x 25 1/2		1 - 14 13/16 x 23 13/16	
WTH1830	1 - 16 x 28		1 - 17 1/2 x 28 1/2		1 - 14 13/16 x 26 13/16	
WTH2115	1 - 19 x 13		1 - 20 1/2 x 13 1/2		1 - 17 13/16 x 11 13/16	
WTH2118	1 - 19 x 16		1 - 20 1/2 x 16 1/2		1 - 17 13/16 x 14 13/16	
WTH2121	1 - 19 x 19		1 - 20 1/2 x 19 1/2		1 - 17 13/16 x 17 13/16	
WTH2124	1 - 19 x 22		1 - 20 1/2 x 22 1/2		1 - 17 13/16 x 20 13/16	
WTH2127	1 - 19 x 25		1 - 20 1/2 x 25 1/2		1 - 17 13/16 x 23 13/16	
WTH2130	1 - 19 x 28		1 - 20 1/2 x 28 1/2		1 - 17 13/16 x 26 13/16	
WTH2412	1 - 22 x 10		1 - 23 1/2 x 10 1/2		1 - 20 13/16 x 8 13/16	
WTH2415	1 - 22 x 13		1 - 23 1/2 x 13 1/2		1 - 20 13/16 x 11 13/16	
WTH2418	1 - 22 x 16		1 - 23 1/2 x 16 1/2		1 - 20 13/16 x 14 13/16	
WTH2421	1 - 22 x 19		1 - 23 1/2 x 19 1/2		1 - 20 13/16 x 17 13/16	
WTH2424	1 - 22 x 22		1 - 23 1/2 x 22 1/2		1 - 20 13/16 x 20 13/16	
WTH2427	1 - 22 x 25		1 - 23 1/2 x 25 1/2		1 - 20 13/16 x 23 13/16	
WTH2430	1 - 22 x 28		1 - 23 1/2 x 28 1/2		1 - 20 13/16 x 26 13/16	
WTH2712	1 - 25 x 10		1 - 26 1/2 x 10 1/2		1 - 23 13/16 x 8 13/16	
WTH2715	1 - 25 x 13		1 - 26 1/2 x 13 1/2		1 - 23 13/16 x 11 13/16	
WTH2718	1 - 25 x 16		1 - 26 1/2 x 16 1/2		1 - 23 13/16 x 14 13/16	
WTH2721	1 - 25 x 19		1 - 26 1/2 x 19 1/2		1 - 23 13/16 x 17 13/16	
WTH2724	1 - 25 x 22		1 - 26 1/2 x 22 1/2		1 - 23 13/16 x 20 13/16	
WTH2727	1 - 25 x 25		1 - 26 1/2 x 25 1/2		1 - 23 13/16 x 23 13/16	
WTH2730	1 - 25 x 28		1 - 26 1/2 x 28 1/2		1 - 23 13/16 x 26 13/16	
WTH3012	1 - 28 x 10		1 - 29 1/2 x 10 1/2		1 - 26 13/16 x 8 13/16	
WTH3015	1 - 28 x 13		1 - 29 1/2 x 13 1/2		1 - 26 13/16 x 11 13/16	
WTH3018	1 - 28 x 16		1 - 29 1/2 x 16 1/2		1 - 26 13/16 x 14 13/16	
WTH3021	1 - 28 x 19		1 - 29 1/2 x 19 1/2		1 - 26 13/16 x 17 13/16	
WTH3024	1 - 28 x 22		1 - 29 1/2 x 22 1/2		1 - 26 13/16 x 20 13/16	
WTH3027	1 - 28 x 25		1 - 29 1/2 x 25 1/2		1 - 26 13/16 x 23 13/16	
WTH3030	1 - 28 x 28		1 - 29 1/2 x 28 1/2		1 - 26 13/16 x 26 13/16	
WTH3312	1 - 31 x 10		1 - 32 1/2 x 10 1/2		1 - 29 13/16 x 8 13/16	
WTH3315	1 - 31 x 13		1 - 32 1/2 x 13 1/2		1 - 29 13/16 x 11 13/16	

Door & Drawer Front Sizes

PREFERRED
BY KARMAN

Cabinet	HALF OVERLAY		FULL OVERLAY		INSET	
	Door	Drawer Front	Door	Drawer Front	Door	Drawer Front
WTH3318	1-31x16		1-32½x16½		1-29 13/16 x 14 13/16	
WTH3321	1-31x19		1-32½x19½		1-29 13/16 x 17 13/16	
WTH3324	1-31x22		1-32½x22½		1-29 13/16 x 20 13/16	
WTH3327	1-31x25		1-32½x25½		1-29 13/16 x 23 13/16	
WTH3330	1-31x28		1-32½x28½		1-29 13/16 x 26 13/16	
WTH3612	1-34x10		1-35½x10½		1-32 13/16 x 8 13/16	
WTH3615	1-34x13		1-35½x13½		1-32 13/16 x 11 13/16	
WTH3618	1-34x16		1-35½x16½		1-32 13/16 x 14 13/16	
WTH3621	1-34x19		1-35½x19½		1-32 13/16 x 17 13/16	
WTH3624	1-34x22		1-35½x22½		1-32 13/16 x 20 13/16	
WTH3627	1-34x25		1-35½x25½		1-32 13/16 x 23 13/16	
WTH3630	1-34x28		1-35½x28½		1-32 13/16 x 26 13/16	

